



# Marbett Conveyor Components

Issue 15

## **CONVEYOR COMPONENTS**

- Chain Guide Components Page S002
- Product Handling Components Page S048
- Frame Support Components Page S172
- Miscellaneous Components Page S190

**S001 - S229**



## **SUPPORTING AND LEVELLING ELEMENTS**

- Articulated Feet in Reinforced Polyamide Page R08
- Articulated Feet Gripper Page R28
- Articulated Feet in Steel Page R40
- Fixed Feet in Reinforced Polyamide and Rubber Page R48
- Fixed Feet in Steel Page R50
- Vibration absorbing Feet Page R53
- Anti-Slip Supports Page R54
- Threaded Bushings Page R56

**R00 - R59**



## **SELF-ALIGNING BEARINGS**

- Square Flange Bearing Units Page B04
- Oval Flange Bearing Units Page B24
- Pillow Block Type Bearing Units Page B42
- Compact Pillow Block Type Bearing Units Page B46
- Side Flange Bearing Units Page B50
- Take-up Bearing Units Page B54
- Round Flange Bearing Units Page B58

**B00 - B81**





## The company

Rexnord is a global company supplying many industries with power transmission and conveying components. The product offering ranges from roller chains, couplings and geared products to conveyor chains, belts and components.

The head office is based in the United States, with several divisions all over the world. The Rexnord FlatTop division is manufacturing conveyor chains, belts and components.

Rexnord is fully committed to meet customer expectations; huge knowledge of the business reduces maintenance costs, eliminates redundant inventories and prevents downtime, all in close co-operation with OEMs and end users. This is a result of Rexnord's focus on product development, application engineering, operations and customer service.

Rexnord FlatTop Europe represents 3 strong brands: Rexnord, MCC and Marbett.

With production facilities in 's-Gravenzande and Correggio, sales offices in The Netherlands and Italy, a large sales group for local service in many countries and distributors all over the world, Rexnord is always close to its customers. In this way a fast and reliable delivery is guaranteed.

Rexnord chains and belts are being used to convey a wide variety of products: bottles, cans, boxes, crates, tires, loose food, glass jars, PET containers, trays; shortly every transport in production halls in virtually any industry.

The product range has been split up over two catalogues, one for Rexnord/MCC Table Top/MatTop chains and one for Marbett conveyor components.

## The industries served

As the handling specialist in the field of conveying, the Rexnord product portfolio is providing solutions for complete lines in several industries in order to improve productivity.

In beverage industry palletizers, depalletizers, washers, labelers, fillers, pasteurizers, inliners, outfeeds, elevators and accumulation tables are equipped with slatband chains, curves, sprockets, belts, bearings, leveling elements and many more conveyor components.



For the container manufacturing industry special products and materials are available, such as abrasion resistant polyamide for glass plants, vacuum chains for can making and gripper chains for vertical transport.

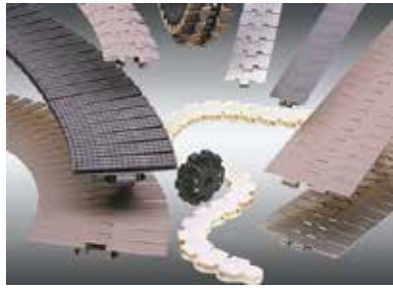
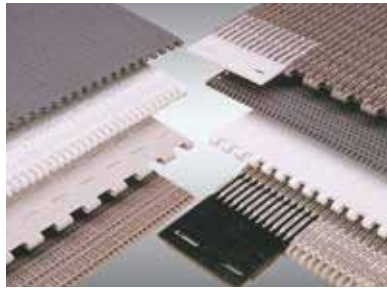


A wide range of products is also offered for blanchers, cookers, washers, coolers and processing lines in fruit, vegetables, bakery, confectionary etc. And many more products are available for the handling of packed food.



In automotive industry the products are engineered to meet the most demanding applications, such as rubber processing and tire handling.

This is just a short selection of the applications in which Rexnord products are being used. Among others they have also found their way into pharmaceutical production lines, battery manufacture, paper and cardboard production.



## Rexnord and MCC TableTop chains and MatTop belts

The product line can be split up into:



- Steel slatband chains  
In various materials ranging from carbon steel to special stainless steel with better wear and sliding properties; types straight running, sideflexing tab, bevel and Magnetflex, with

and without rubber top.

- Plastic slatband chains  
Wide range of materials and various executions; single hinge, double hinge, heavy duty, vacuum, lbp rollers and rubber top.



- Plate Top and Gripper chains  
Based on the Rexnord roller chains in both stainless and carbon steel; Plate Top chains have steel or plastic top plates; Gripper chains have different types of rubber inserts.

- Case conveyor and Multiflex chains  
Different types of acetal for both straight running and sideflexing transport of products varying from heavy crates to small juice packs.



- Curves  
Magnetflex, Tab and bevel, as well as straight tracks to support the chain in all parts of the line; there are many standard versions besides the ability to make any special curve needed

in your applications with short delivery times.

- Modular belts  
Pitches differ from 0.5 to 2.25 inch to suit any application. Most series have both closed and open top executions; some also available with rubber top for inclined conveying.



## Marbett conveyor components

The product line can be split up into:

- Chain guide components  
Profiles, corner tracks, straight tracks, return rollers, serpentine, plugs for connections.



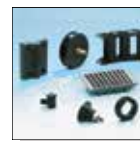
- Product handling components  
Guide rails, roller guides, guide rail clamps, guide rail brackets and connecting clamps in plastic or stainless steel.

- Frame support components  
Side mounting top brackets, bearing heads, support bases and connecting joints, stainless steel components.



- Supporting and leveling elements  
Different versions in steel and plastic, articulated and fixed, with and without gripper bottom and vibration absorbing feet.

- Self-aligning bearings  
Square, oval, pillow block, side flange, take-up, round, and other executions, all with open and closed unit. Lubricated for life versions are also available.



- Miscellaneous components  
Line control elements, hinges, locks, knobs, modular transfer roller plates, rollers, tensioners, nozzles, cable carriage chains, shaft collars and nose-over bars.

## **CHAIN GUIDE COMPONENTS**

Chain Guide Profiles Page S002

Roller Guides for Chain Return Page S029

Serpentine Guides for Chain Return Page S040

Plugs for Connection Page S046



## **PRODUCT HANDLING COMPONENTS**

Product-Guides Page S048

Guide-Rail Clamps Page S118

Guide-Rail Brackets Page S137

Connecting Clamps Page S166



## FRAME SUPPORT COMPONENTS

- Side Mounting top Brackets Page S172
- Bearing Heads Page S174
- Support Bases Page S176
- Connecting Joints Page S180
- Support Heads (Stainless steel) Page S185
- Support Bases (Stainless steel) Page S186
- Connecting Joints (Stainless steel) Page S188



## MISCELLANEOUS COMPONENTS

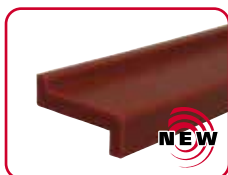
- Line Control Elements Page S190
- Hinges Page S194
- Locks Page S196
- Tightening Elements Page S197
- Modular transfer roller plate Page S202
- Modular Nose-Over Bar Page S210
- Shaft collars Page S212
- Winding Tensioners Page S214
- Caps Page S215
- Cable Carriage Chains Page S216
- Nozzles Page S217
- Side Guide Adjustment Page S218



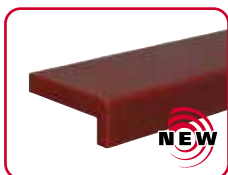
## TECHNICAL INFORMATION

Technical information Page S224

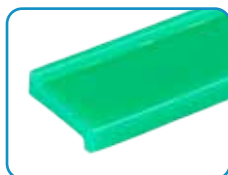
**Chain Guide Profiles**



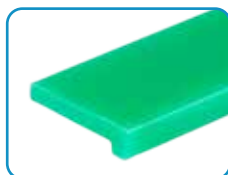
**Part. S0262** - Pag. S002  
Chain guide profile.



**Part. S0386** - Pag. S002  
Chain guide profile.



**Part. S0241** - Pag. S003  
Chain guide profile.



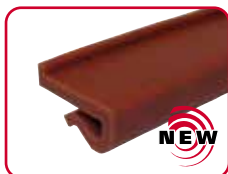
**Part. S0243** - Pag. S003  
Chain guide profile.



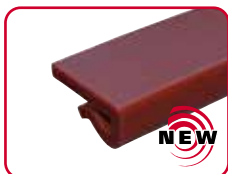
**Part. S0822** - Pag. S004  
Chain guide profile.



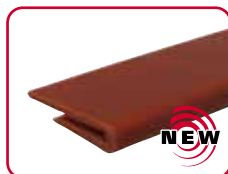
**Part. S0825** - Pag. S004  
Chain guide profile.



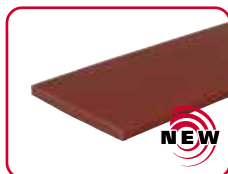
**Part. S0251** - Pag. S005  
Chain guide profile.



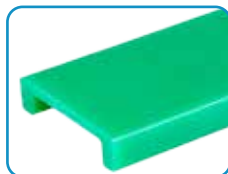
**Part. S0261** - Pag. S005  
Chain guide profile.



**Part. S0840** - Pag. S006  
Chain guide profile.



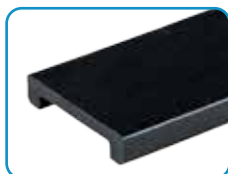
**Part. S0244** - Pag. S006  
Chain guide profile.



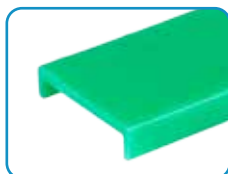
**Part. S0784** - Pag. S007  
Chain guide profile.



**Part. S0362** - Pag. S007  
Chain guide profile.



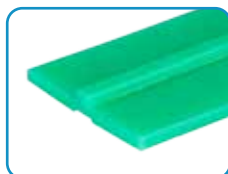
**Part. S0387** - Pag. S008  
Chain guide profile.



**Part. S0824** - Pag. S008  
Chain guide profile.



**Part. S0263** - Pag. S009  
Chain guide profile.



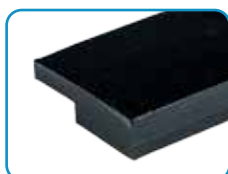
**Part. S0242** - Pag. S009  
Chain guide profile.



**Part. S0634** - Pag. S010  
Chain guide profile.



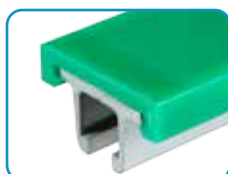
**Part. S0814** - Pag. S010  
Chain guide profile.



**Part. S0742** - Pag. S011  
Chain guide profile.



**Part. S0674** - Pag. S011  
Chain guide profile.



**Part. S0422** - Pag. S012  
Chain guide profile.



**Part. S0370** - Pag. S012  
Sealing profile for Part. S0366-S0367-S0368-S0422.



**Part. S0369** - Pag. S012  
Connecting bar for Part. S0422.



**Part. S0884** - Pag. S013  
Chain guide profile.



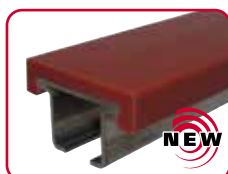
**Part. S0885** - Pag. S013  
Chain guide profile.



**Part. S0886** - Pag. S013  
Chain guide profile.



**Part. S0366** - Pag. S014  
Chain guide profile.



**Part. S0367** - Pag. S014  
Chain guide profile.



**Part. S0368** - Pag. S015  
Chain guide profile.



**Part. S0885** - Pag. S015  
Chain guide profile.



**Part. S0886** - Pag. S015  
Chain guide profile.



**Part. S0858** - Pag. S016  
Hinge Joint.



**Part. S0559** - Pag. S016  
Clamp for Part. S0366-S0367-S0368



**Part. S0371** - Pag. S017  
Mounting block for Part. S0366-S0367-S0368.



**Part. S0621** - Pag. S017  
Connecting block for Part. S0366-S0367-S0368.



**Part. S0550** - Pag. S018  
Chain inlet guide for Part. S0366.



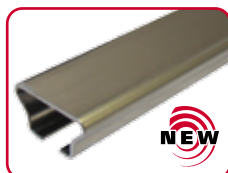
**Part. S0550** - Pag. S018  
Chain inlet guide for Part. S0367.



**Part. S0669** - Pag. S019  
Side transfer guide shoe.



**Part. S0551** - Pag. S020  
Chain inlet guide for Part. S0261-S0243-S0244.



**Part. S0833** - Pag. S021  
Chain guide profile.



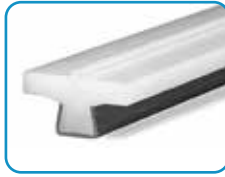
**Part. S0768** - Pag. S022  
Chain guide profile.



**Part. S0767** - Pag. S022  
Chain guide profile.



**Part. S0356** - Pag. S023  
Chain guide profile.



**Part. S0310** - Pag. S023  
Chain guide profile.



**Part. S0765** - Pag. S023  
Chain guide profile.



**Part. S0766** - Pag. S024  
Chain guide profile for modular chains.



**Part. S0764** - Pag. S024  
Chain guide profile for TAB chains.



**Part. S0223** - Pag. S025  
Chain guide profile for roller chain ANSI 60.



**Part. S0274** - Pag. S025  
Chain guide profile for roller chain ISO 12 B1.



**Part. S0903** - Pag. S026  
ViseClamp™.



**Part. S0902** - Pag. S026  
ViseSplice™.



**Part. S0215** - Pag. S027  
Clamp.



**Part. S0216** - Pag. S027  
Clamp.

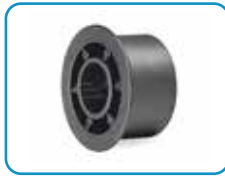


**Part. S0275** - Pag. S028  
Clamp.

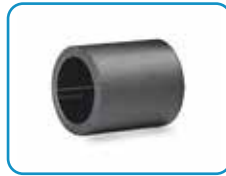
## Roller for Chain Return



**Part. S0153** - Pag. S029  
Snap-on wear shoe.



**Part. S0073** - Pag. S030  
Roller ø 42,5 mm. For K82,5.  
For K82,5/pitch 83,5-88.



**Part. S0126** - Pag. S030  
Distance gear.



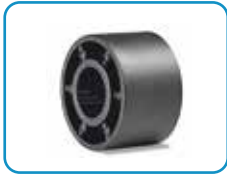
**Part. S0125** - Pag. S030  
Double roller ø 42,5 mm. Multiple strands K82,5 / pitch 88.



**Part. S0125** - Pag. S031  
Double roller ø 42,5 mm. Multiple strands K82,5 / pitch 85..



**Part. S0421** - Pag. S031  
Roller ø 42,5 mm. Multiple strands K82,5 / pitch 83,5.



**Part. S0388** - Pag. S031  
Roller ø 42,5 mm. Multiple strands K87 / pitch 88



**Part. S0727** - Pag. S032  
Roller ø 46 mm. high sanitation. Multiple str. K82,5/84-K114,3/120.



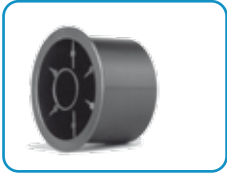
**Part. S0728** - Pag. S032  
Roller ø 46 mm. high sanitation. Multiple strands K82,5/pitch 84.



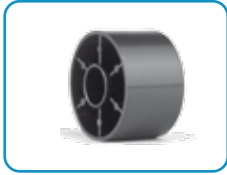
**Part. S0826** - Pag. S033  
Roller.



**Part. S0827** - Pag. S033  
Guide flange.



**Part. S0561** - Pag. S034  
Roller ø 50 mm. For K82,5. Multiple strands K82,5 / pitch 83,5-88.



**Part. S0560** - Pag. S034  
Roller ø 50 mm. Multiple strands K82,5 / pitch 83,5.



**Part. S0782** - Pag. S035  
Double roller. Ø 50 mm.



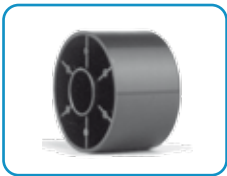
**Part. S0783** - Pag. S035  
Double roller with flange. Ø 50 mm.



**Part. S0787** - Pag. S035  
Guide flange.



**Part. S0556** - Pag. S036  
Roller ø 60 mm. For K82,5. Multiple strand K82,5 / pitch 83,5-88.



**Part. S0554** - Pag. S036  
Roller ø 60 mm. Multiple strands K82,5/pitch 83,5-85.



**Part. S0614** - Pag. S037  
Roller ø 60 mm. For K82,5. Multiple strand K82,5 / pitch 83,5-88.  
Rubber surface



**Part. S0613** - Pag. S037  
Roller ø 60 mm. Multiple strand K82,5/pitch 83,5-85.  
Rubber surface



**Part. S0758** - Pag. S038  
Double roller. Ø 60 mm.



**Part. S0778** - Pag. S038  
Double roller with flange. Ø 60 mm.



**Part. S0555** - Pag. S038  
Guiding flange for part. S0554-S0613-S0657-S0758.





**Part. S0657** - Pag. S039  
Roller ø 60 mm. Multiple strand K82,5 / pitch 85.



**Part. S0624** - Pag. S039  
Distance gear.

**Serpentine Guides for Chain Return**



**Part. S0729** - Pag. S040  
Chain return guide.



**Part. S0524** - Pag. S040  
Sliding profile.



**Part. S0523** - Pag. S041 - S042  
Spacer.



**Part. S0533** - Pag. S043  
Striker.



**Part. S0533** - Pag. S043  
Striker (centre). Multiple strands K82,5 / pitch 85.

**Expansion Plugs**



**Part. S0565** - Pag. S046  
Expansion plug for tubes ø 18-20 mm.



**Part. S0179** - Pag. S046  
Expansion plug for tubes ø 38-42,4 mm.

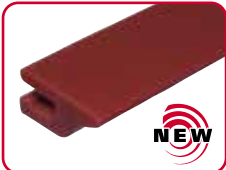


**Part. S0566** - Pag. S047  
Expansion plug for square tubes 20 mm.

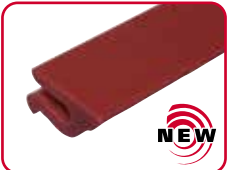


**Part. S0592** - Pag. S047  
Expansion plug for square tubes 40 mm.

**Product Guides**



**Part. S0834** - Pag. S048  
Overhead transport PET bottles.



**Part. S0838** - Pag. S048  
Overhead transport PET bottles.



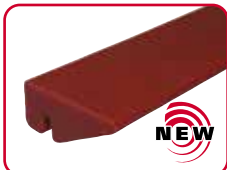
**Part. S0771** - Pag. S049  
Overhead transport PET bottles.



**Part. S0776** - Pag. S049  
Overhead transport PET bottles.



**Part. S0839** - Pag. S050  
Overhead transport PET bottles.



**Part. S0835** - Pag. S050  
Overhead transport PET bottles.



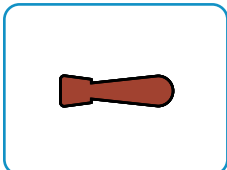
**Part. S0594** - Pag. S051  
Overhead transport PET bottles.



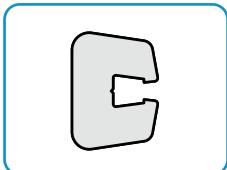
**Part. S0654** - Pag. S051  
Overhead transport PET bottles.



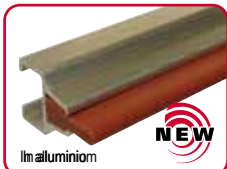
**Part. S0715** - Pag. S052  
Side guide. Delicate containers (PET empty).



**Part. S0717** - Pag. S052  
Plastic profile.



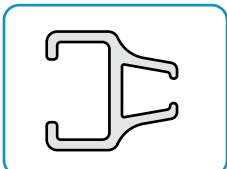
**Part. S0717** - Pag. S052  
Metal profile.



**Part. S0832** - Pag. S053  
Side guide. Delicate containers (PET empty).



**Part. S0789** - Pag. S053  
Plastic profile.



**Part. S0823** - Pag. S053  
Metal profile.



**Part. S0308** - Pag. S054  
Overhead transport PET bottles.



**Part. S0393** - Pag. S055  
Label protection.



**Part. S0596** - Pag. S055  
Label protection. Unstable containers.



**Part. S0317** - Pag. S056  
Half-round guide rail. Delicate containers (PET empty).



**Part. S0223** - Pag. S056  
Flat guide rail. Middle delicate containers (PET full).



**Part. S0219** - Pag. S057  
Round guide rail. Middle strong containers (glass).



**Part. S0247** - Pag. S057  
Round guide rail. Middle strong containers (glass).



**Part. S0346** - Pag. S058  
Half-round guide rail. Low side load (brick).



**Part. S0770** - Pag. S059  
Flat guide rail. Rugged containers.

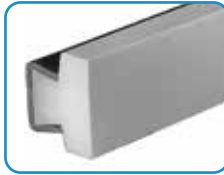
# Product Range



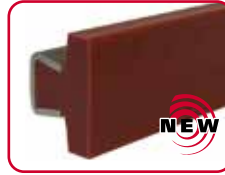
**Part. S0769** - Pag. S059  
Flat guide rail.  
Rugged containers.



**Part. S0768** - Pag. S060  
Flat guide rail.  
Rugged containers.



**Part. S0767** - Pag. S060  
Flat guide rail.  
Rugged containers.



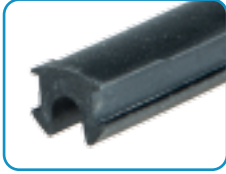
**Part. S0273** - Pag. S061  
Flat guide rail.  
Rugged containers.



**Part. S0765** - Pag. S061  
Extra flat guide rail.



**Part. S0422** - Pag. S062  
Extra flat guide rail.  
Rugged containers.  
In aluminium



**Part. S0370** - Pag. S062  
Sealing profile for Part.422.  
Improves Guide cleanliness.



**Part. S0369** - Pag. S062  
Connecting bar for  
Part.S0754-S0755-S0756-  
S0757-S0656.



**Part. S0639** - Pag. S063  
Extra flat guide rail.



**Part. S0640** - Pag. S063  
Round guide rail.



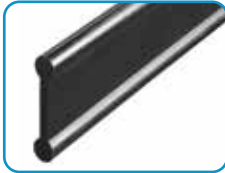
**Part. S0641** - Pag. S063  
Metal profile for  
Part. S0639-S0640.  
In aluminium



**Part. S0642** - Pag. S064  
Extra flat guide rail.  
Rugged containers.



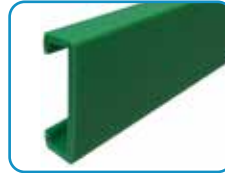
**Part. S0643** - Pag. S064  
Metal profile for  
Part. S0642.  
In aluminium



**Part. S0644** - Pag. S065  
Round guide rail. Middle  
strong containers (glass).



**Part. S0645** - Pag. S065  
Profile for round steel rods.



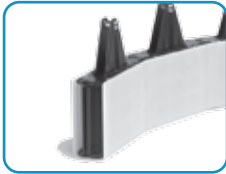
**Part. S0539** - Pag. S065  
Extra flat guide rail. Assembly  
with 40x8 mm plate.



**Part. S0605** - Pag. S066  
Extra flat centre guide. Glass  
containers without side load.



**Part. S0606** - Pag. S066  
Divider module for  
Part. S0605.



**Part. S0605** - Pag. S067  
Extra flat centre guide. Glass  
containers without side load.



**Part. S0606** - Pag. S067  
Divider module for  
Part. S0605.



**Part. S0191-S0296** - Pag. S068  
Extra large guide rail.  
Assembly with 60x6 mm plate.



**Part. S0376-S0377** - Pag. S068  
End plug for  
Part. S0191-S0296.



**Part. S0378-S0379** - Pag. S069  
Joint clamp for  
Part. S0191-S0296.



**Part. S0581** - Pag. S070  
Roller side guide.  
Thin-walled containers.



**Part. S0585** - Pag. S070  
Roller centre guide.  
Thin-walled containers.



**Part. S0586** - Pag. S071  
Divider module for  
Part. S0585.



**Part. S0581** - Pag. S072  
Roller side guide.  
Thin-walled containers.



**Part. S0585** - Pag. S072  
Roller centre guide.  
Thin-walled containers.



**Part. S0586** - Pag. S073  
Divider module for  
Part. S0585.



**Part. S0580** - Pag. S074  
Roller side guide.  
Medium strength containers.



**Part. S0557** - Pag. S074  
Roller centre guide.  
Medium strength containers.



**Part. S0570** - Pag. S075  
Divider module for  
Part. S0557.



**Part. S0580** - Pag. S076  
Roller side guide.  
Medium strength containers.



**Part. S0557** - Pag. S076  
Roller centre guide.  
Medium strength containers.



**Part. S0570** - Pag. S077  
Divider module for  
Part. S0557.



**Part. S0733** - Pag. S078  
Roller side guides.  
Cans.



**Part. S0721** - Pag. S078  
Roller centre guides.  
Cans.



**Part. S0730** - Pag. S079  
Separation Block.



**Part. S0628 S** - Pag. S080  
Roller side guide.  
Medium strength containers.



**Part. S0537** - Pag. S081  
Metal profile 40x8.



**Part. S0535** - Pag. S081  
Bolts set for Part. 535.



**Part. S0757** - Pag. S082  
Roller side guides with  
cylinder rollers, in aluminium.  
**NEW**



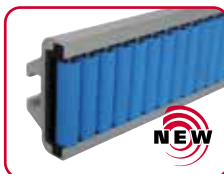
**Part. S0755 - Pag. S083**  
Centre guides with cylinder rollers, in aluminium.



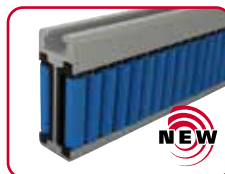
**Part. S0757 - Pag. S084**  
Roller side guides with cylinder rollers, in aluminium.



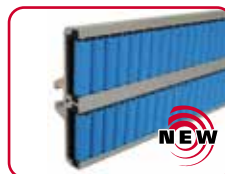
**Part. S0755 - Pag. S085**  
Centre guides with cylinder rollers, in aluminium.



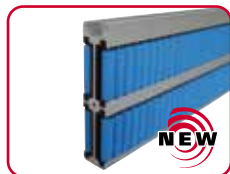
**Part. S0868 - Pag. S086**  
Roller side guides with cylinder rollers, in aluminium.



**Part. S0869 - Pag. S087**  
Centre guides with cylinder rollers, in aluminium.



**Part. S0868 - Pag. S088**  
Roller side guides with cylinder rollers, in aluminium.



**Part. S0869 - Pag. S089**  
Centre guides with cylinder rollers, in aluminium.



**Part. S0756 - Pag. S090**  
Pearl™ roller side guide in aluminium.



**Part. S0754 - Pag. S091**  
Pearl™ roller centre guide in aluminium.



**Part. S0756 - Pag. S092**  
Pearl™ roller side guide in aluminium.



**Part. S0754 - Pag. S093**  
Pearl™ roller centre guide in aluminium.



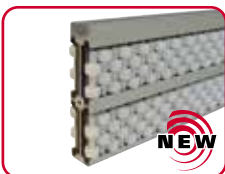
**Part. S0856 - Pag. S094**  
Roller side guides in aluminium.



**Part. S0857 - Pag. S095**  
Roller centre guides in aluminium.



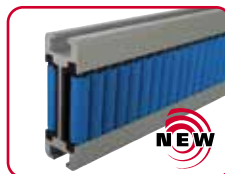
**Part. S0856 - Pag. S096**  
Roller side guides in aluminium.



**Part. S0857 - Pag. S097**  
Roller centre guides in aluminium.



**Part. S0656 - Pag. S098**  
Centre guides with cylinder rollers, in aluminium.



**Part. S0656 - Pag. S098**  
Centre guides with cylinder rollers, in aluminium.



**Part. S0656 - Pag. S099**  
Pearl™ roller centre guide in aluminium.



**Part. S0656 - Pag. S099**  
Roller centre guides in aluminium.



**Part. S0777 - Pag. S101**  
Product Guide.



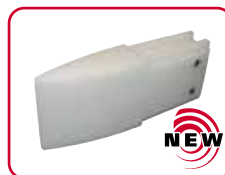
**Part. S0829 - Pag. S101**  
Closing caps.



**Part. S0788 - Pag. S102**  
End stops for Guide.



**Part. S0852 - Pag. S103**  
Separation Block.



**Part. S0854 - Pag. S103**  
Separation Block.



**Part. S0760 - Pag. S104**  
Separation Block.



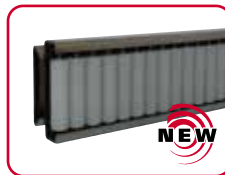
**Part. S0759 - Pag. S104**  
Separation Block.



**Part. S0760 - Pag. S105**  
Separation Block.



**Part. S0759 - Pag. S105**  
Separation Block.



**Part. S0870 - Pag. S106**  
Roller side guides with cylinder rollers, in austenitic stainless steel.



**Part. S0794 - Pag. S106**  
Side Clamp.



**Part. S0871 - Pag. S107**  
Centre guides with cylinder rollers, in austenitic stainless steel.



**Part. S0872 - Pag. S108**  
Roller side guides with cylinder rollers, in austenitic stainless steel.



**Part. S0794 - Pag. S108**  
Side Clamp.



**Part. S0873 - Pag. S109**  
Centre guides with cylinder rollers, in austenitic stainless steel.



**Part. S0874 - Pag. S110**  
Pearl™ roller side guide, in austenitic stainless steel.



**Part. S0794 - Pag. S110**  
Side Clamp.



**Part. S0875 - Pag. S111**  
Pearl™ roller centre guide, in austenitic stainless steel.



**Part. S0876 - Pag. S112**  
Roller side guides with rollers, in austenitic stainless steel.



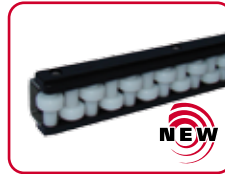
**Part. S0794 - Pag. S112**  
Side Clamp.



**Part. S0877 - Pag. S113**  
Centre guides with rollers, in austenitic stainless steel.



**Part. S0128S - Pag. S114**  
Sideflexing Roller side guide. Rugged containers.



**Part. S0128 - Pag. S114**  
Roller side guide. Rugged containers.



**Part. S0128** - Pag. S114  
Roller side guide.  
Rugged containers.



**Part. S0128** - Pag. S115  
Roller side guide.  
Rugged containers.



**Part. S0128** - Pag. S115  
Roller side guide.  
Rugged containers.



**Part. S0233** - Pag. S116-S117  
Rollers for bending.



**Part. S0218** - Pag. S117  
Guide rail bending machine  
(manual).

## Guide Rail Clamps



**Part. S0210P** - Pag. S118  
Guide rail clamp.



**Part. S0210** - Pag. S118  
Guide rail clamp.



**Part. S0275** - Pag. S119  
Guide rail clamp.



**Part. S0211** - Pag. S119  
Guide rail clamp  
(adjustable).



**Part. S0446** - Pag. S119  
Guide rail clamp  
(adjustable).



**Part. S0213** - Pag. S120  
Guide rail clamp  
(double).



**Part. S0213** - Pag. S120  
Guide rail clamp  
(double).



**Part. S0736-S0737-S0738**  
Pag. S121  
Sliding joint clamp.



**Part. S0739-S0739P**  
Pag. S122  
Swivel pin connection.



**Part. S0740-S0740P**  
Pag. S122  
Swivel pin connection.



**Part. S0903** - Pag. S123  
ViseClamp™.



**Part. S0216** - Pag. S123  
Guide rail clamp.



**Part. S0215** - Pag. S123  
Guide rail clamp.



**Part. S0694** - Pag. S124  
Guide rail clamp  
with two fixing screw.



**Part. S0217** - Pag. S124  
Guide rail clamp  
(double).



**Part. S0902** - Pag. S125  
ViseSplice™.



**Part. S0214** - Pag. S125  
Connecting clamp.



**Part. S0236** - Pag. S126  
Guide rail clamp.



**Part. S0236** - Pag. S126  
Guide rail clamp.



**Part. S0237** - Pag. S126  
Guide rail clamp  
(adjustable).



**Part. S0116** - Pag. S127  
Guide rail clamp  
(double).



**Part. S0111** - Pag. S127  
Guide rail clamp  
(double).



**Part. S0082P** - Pag. S128  
Guide rail clamp.



**Part. S0082-S0082B**  
Pag. S128  
Guide rail clamp.



**Part. S0478** - Pag. S129  
Guide rail clamp  
(pivoting).



**Part. S0159-S0437** - Pag. S129  
Guide rail clamp  
(adjustable).



**Part. S0451** - Pag. S129  
Guide rail clamp  
(adjustable).



**Part. S0071** - Pag. S130  
Guide rail clamp  
(double).



**Part. S0070** - Pag. S130  
Guide rail clamp  
(double).



**Part. S0698** - Pag. S131  
Guide rail clamp  
with two fixing screws.



**Part. S0662** - Pag. S131  
Guide rail clamp.



**Part. S0050** - Pag. S132  
Guide rail clamp  
(double).



**Part. S0676** - Pag. S132  
Joint clamp.



**Part. S0646** - Pag. S133  
Guide rail clamp.



**Part. S0647** - Pag. S133  
Rod.



**Part. S0190** - Pag. S134  
Guide rail clamp.



**Part. S0184** - Pag. S134  
Guide rail clamp.



**Part. S0298** - Pag. S135  
Guide rail clamp.



**Part. S0298** - Pag. S135  
Guide rail clamp.



**Part. S0373** - Pag. S136  
Guide rail clamp.

**Guide- Rail Brackets**



**Part. S0708** - Pag. S137  
Bracket with eyebolt.



**Part. S0081** - Pag. S138  
Bracket.



**Part. S0088** - Pag. S138  
Bracket with ratched handle clamping.



**Part. S0072** - Pag. S139  
Bracket.



**Part. S0089** - Pag. S139  
Bracket with ratched handle clamping.



**Part. S0085** - Pag. S140  
Bracket with eccentric lever.



**Part. S0010-S0097** - Pag. S140  
Bracket with eccentric lever.



**Part. S0107** - Pag. S141  
Bracket with eyebolt.



**Part. S0599** - Pag. S141  
Bracket with eyebolt.



**Part. S0617** - Pag. S142  
Bracket with eyebolt.



**Part. S0140** - Pag. S142  
Bracket with eyebolt.



**Part. S0632** - Pag. S143  
Adjustable bracket.



**Part. S0635** - Pag. S144  
Adjustable bracket.



**Part. S0636** - Pag. S144  
Adjustable bracket.



**Part. S0637** - Pag. S145  
Adjustable bracket.



**Part. S0638** - Pag. S145  
Adjustable bracket.



**Part. S0540** - Pag. S146  
Adjustable bracket.



**Part. S0107S** - Pag. S147  
Adjustable bracket.



**Part. S0255** - Pag. S148  
Swivel head.



**Part. S0359** - Pag. S148  
Swivel head.



**Part. S0862** - Pag. S149  
Swivel head.



**Part. S0256** - Pag. S149  
Swivel head.



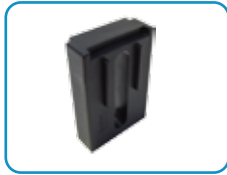
**Part. S0192** - Pag. S150  
Swivel head.

Adjustable Brackets Part.	Fixed Brackets Part.			
S0704+S0192 (S0699+S0192)	-	42,5	35,5	52 (128)
-	S0708	42,5	-	67,5
S0704+S0192 (S0699+S0192)	-	60	53	52 (128)
-	S0081-S0088	-	58	36
-	S0705	61	61	31
-	S0107	-	64,5	45
-	S0708	64,5	-	67,5
S0682-S0677	-	67	-	65
-	S0072-S0089	67	-	42,8
S0635-S0637-S0638 (S0650-S0652-S0653)	-	68	-	64 (48)
-	S0599	68	-	64
S0679	-	70	-	65
S0704+S0192 (S0699+S0192)	-	80	73	52 (128)
-	S0140	81	-	50
-	S0085	84,5	-	42
S0636 (S0651)	-	86	-	64 (48)
-	S0097-S0010	86	-	42
-	S0617	87	-	49
S0679	-	87,5	-	65
S0542-S0543-S0544	-	90	86	51
S0681	-	105,5	-	65
S0679	-	107,5	-	65
S0541	-	108	104	51
S0704+S0192 (S0699+S0192)	-	110	103	52 (128)
S0681	-	123	-	65
S0679	-	137,5	-	65
S0681	-	143	-	65
S0704+S0192 (S0699+S0192)	-	150	143	52 (128)
S0681	-	173	-	65
S0679	-	177,5	-	65
S0681	-	213	-	65

P = to increase the distance use the proper spacer



**Part. S0227** - Pag. S151  
Spacer for adjustable brackets.



**Part. S0061** - Pag. S152  
Spacer.



**Part. S0142** - Pag. S152  
Spacer.



**Part. S0545** - Pag. S153  
Spacer.



**Part. S0725** - Pag. S153  
Spacer.



**Part. S0226-S0336** - Pag. S154  
Drip tray support.  
Bent rod.



**Part. S0226-S0336** - Pag. S154  
Drip tray support.  
Straight Rod.



**Part. S0338** - Pag. S155  
Mounting plate for  
Part. S0226-S0336.



**Part. S0678** - Pag. S156  
Adjustable side bracket.



**Part. S0679** - Pag. S156  
Adjustable side bracket.



**Part. S0680** - Pag. S157  
Adjustable side bracket.



**Part. S0681** - Pag. S157  
Adjustable side bracket.



**Part. S0682** - Pag. S158  
Adjustable side bracket.



**Part. S0677** - Pag. S158  
Adjustable side bracket.



**Part. S0683** - Pag. S159  
Eyebolt (with knob).



**Part. S0684** - Pag. S159  
Eyebolt (with nut).



**Part. S0705** - Pag. S160  
Side bracket.



**Part. S0704** - Pag. S160  
Side bracket.



**Part. S0699** - Pag. S161  
Side bracket.



**Part. S0718** - Pag. S161  
Side bracket.



**Part. S0692** - Pag. S162  
Side bracket.



**Part. S0692** - Pag. S162  
Side bracket.



**Part. S0691** - Pag. S163  
Cross clamp.



**Part. S0663** - Pag. S163  
Locking clamp for round  
steel rod.



**Part. S0661** - Pag. S164  
Cross clamp.



**Part. S0732** - Pag. S164  
Cross clamp  
with Quick-Set.



**Part. S0763** - Pag. S165  
T-clamp with eyebolt,  
with nut.



**Part. S0763** - Pag. S165  
T-clamp with eyebolt,  
with knob.

## Connecting Clamps



**Part. S0340** - Pag. S166  
Cross clamp.  
Round and square holes.



**Part. S0174-S0174R**  
Pag. S166  
Cross clamp. Round hole.



**Part. S0174Q** - Pag. S167  
Cross clamp.  
Round hole + square hole.



**Part. S0339** - Pag. S168  
T clamp.



**Part. S0595** - Pag. S168  
T clamp.



**Part. S0786** - Pag. S169  
Cross clamp.



**Part. S0786** - Pag. S169  
Cross Clamp,  
with nut.



**Part. S0786** - Pag. S169  
Cross Clamp,  
with knob.



**Part. S0633** - Pag. S170  
Cross clamp round hole  
with ratchet handle clamping.



**Part. S0633** - Pag. S170  
Cross clamp square hole  
with ratchet handle clamping.



**Part. S0655** - Pag. S171  
Cross clamp round hole  
with ratchet handle clamping.



**Part. S0655** - Pag. S171  
Cross clamp square hole with ratchet handle clamping.

**Side Mounting top Brackets**



**Part. S0199** - Pag. S172  
Side mounting top bracket for tubes  $\varnothing$  48,3-50,8 square 38-40.



**Part. S0709** - Pag. S173  
Side mounting top bracket for tubes  $\varnothing$  60,3 square 50.



**Part. S0168** - Pag. S173  
Side mounting top bracket for tubes  $\varnothing$  48,3 square 40.



**Part. S0416** - Pag. S183  
Side mounting top bracket for tubes  $\varnothing$  33,7.



**Part. S0685** - Pag. S185  
Side mounting top bracket for tubes  $\varnothing$  48,3-50,8-60,3.

**Bearing Heads**



**Part. S0198** - Pag. S174  
Bearing head for tubes  $\varnothing$  48,3-50,8 square 38-40.



**Part. S0280** - Pag. S175  
Bearing head for tubes  $\varnothing$  48,3-50,8-60,3.



**Part. S0415** - Pag. S183  
Bearing head for tubes  $\varnothing$  33,7.



**Part. S0690** - Pag. S185  
Bearing head for tubes  $\varnothing$  48,3.

**Support Bases**



**Part. S0615** - Pag. S176  
Support base for tubes  $\varnothing$  38,1-42,4-48,3-50,8-60,3.



**Part. S0618** - Pag. S177  
Support base for tubes  $\varnothing$  38,1-42,4-48,3-50,8-60,3.



**Part. S0611** - Pag. S177  
Support base for tubes square 40-50-60.



**Part. S0619** - Pag. S178  
Support base for tubes  $\varnothing$  42,4-48,3-50,8-60,3.



**Part. S0616** - Pag. S179  
Support base for tubes  $\varnothing$  42,4-48,3-50,8-60,3.



**Part. S0124** - Pag. S179  
Reduction bushing for Part. S0615-S0616-S0618-S0619. For tubes  $\varnothing$  42,4-48,3-50-50,6.



**Part. S0418** - Pag. S184  
Support base for tubes  $\varnothing$  33,7.



**Part. S0419** - Pag. S184  
Support base for tubes  $\varnothing$  33,7.



**Part. S0707** - Pag. S186  
Support base for tubes  $\varnothing$  48,3-50,8-60,3.



**Part. S0706** - Pag. S187  
Support base for tubes  $\varnothing$  48,3-50,8-60,3.

**Connecting Joints**



**Part. S0562** - Pag. S180  
Connecting joint for tubes  $\varnothing$  33,7-38,1-42,4-48,3.



**Part. S0563** - Pag. S180  
Connecting joint for tubes  $\varnothing$  50,8-60,3.



**Part. S0564** - Pag. S181  
Connecting joint for square tubes 38-40-45-50.



**Part. S0417** - Pag. S181  
Connecting joint for tubes  $\varnothing$  33,7.



**Part. S0454** - Pag. S182  
Connecting joint for tubes  $\varnothing$  42,4.



**Part. S0137** - Pag. S182  
Connecting joint for tubes  $\varnothing$  48,3-60,3.



**Part. S0686** - Pag. S188  
Connecting joint for tubes  $\varnothing$  48,3.



**Part. S0687** - Pag. S188  
Connecting joint for tubes  $\varnothing$  60,3.



**Part. S0688** - Pag. S189  
Connecting joint for tubes  $\varnothing$  48,3.



**Part. S0689** - Pag. S189  
Connecting joint for tubes  $\varnothing$  48,3-50,8.

## Line Control Elements



Part. S0342 - Pag. S190  
Assembly kit for photocells or sensors



Part. S0341 - Pag. S190  
Assembly kit for photocells or sensors



Part. S0341C - Pag. S191  
Clamp for reflectors.



Part. S0372 - Pag. S192  
Universal clamp for photocells or reflectors.



Part. S0518 - Pag. S193  
Control contact lever.

## Hinges and Locks



Part. S0337 - Pag. S194  
270° hinge.



Part. S0260 - Pag. S194  
170° hinge.



Part. S0260 - Pag. S195  
170° hinge. For misaligned mounting surfaces.



Part. S0272 - Pag. S196  
Lock.

## Tightening Elements



Part. S0302 - Pag. S197  
Ratchet handle clamping.



Part. S0303 - Pag. S197  
Ratchet handle clamping.



Part. S0182 - Pag. S198  
Tightening knob.



Part. S0183 - Pag. S198  
Tightening knob.



Part. S0625 - Pag. S199  
Tightening knob.



Part. S0775 - Pag. S199  
Tightening knob.



Part. S0185 - Pag. S200  
Tightening knob.



Part. S0671 - Pag. S201  
Tightening knob.



Part. S0734 - Pag. S201  
Tightening knob.

## Modular transfer roller plate



Part. S0846 - Pag. S202  
End transfer module (with lip).



Part. S0847 - Pag. S202  
End transfer module (with lip).



Part. S0848 - Pag. S203  
End transfer module (with lip).



Part. S0849 - Pag. S203  
End transfer module.



Part. S0850 - Pag. S204  
Assembly bar.



Part. S0864 - Pag. S204  
L Profile.



Part. S0567 - Pag. S206  
End transfer module (with lip).



Part. S0672 - Pag. S206  
End transfer module (with lip).



Part. S0569 - Pag. S207  
End transfer module.



Part. S0568 - Pag. S207  
Centre transfer module.



Part. S0020-S0021  
Pag. S208  
Roller.



Part. S0016 - Pag. S208  
Roller.



Part. S0076 - Pag. S208  
Roller.



Part. S0063-S0095  
Pag. S209  
Roller.



Part. S0363 - Pag. S209  
Roller.



Part. S0455 - Pag. S209  
Roller.



**Modular  
Nose-Over  
Bar**



Part. S0905 - Pag. S210  
Modular "Nose-Over"  
bar standard profile.



Part. S0905 - Pag. S210  
Modular "Nose-Over"  
bar standard profile.



Part. S0905 - Pag. S211  
Modular "Nose-Over"  
bar low profile.

**Shaft  
collars**



Part. S0612 - Pag. S212  
Split shaft collar  
(with round bore).



Part. S0612 - Pag. S213  
Split shaft collar  
(with square bore).

**Winding  
Tensioners**



Part. S0079 - Pag. S214  
Winding tensioner.



Part. S0075 - Pag. S214  
Winding tensioner.

**Caps**



Part. S0666 - Pag. S215  
Closing caps  
(for round tubes).



Part. S0667 - Pag. S215  
Closing caps  
(for square tubes).



Part. S0668 - Pag. S215  
Safety caps  
(for round tubes).

**Cable  
Carriage  
Chains**



Part. S0112 - Pag. S216  
Cable carriage chain.



Part. S0114 - Pag. S216  
Attachments.

**Nozzles**



Part. S0019 - Pag. S217  
Nozzle conical shape.



Part. S0018 - Pag. S217  
Nozzle shell shape.

**Side Guide  
Adjustment**



Part. S0837 - Pag. S218  
Side Guide Adjustment.

In this new catalogue we have included some new graphic and visual features to aid in the correct component identification.

These features are designed to make the catalogue more intuitive and also highlight the Rexnord recommendation for prompt availability.

The page layout is as follows.

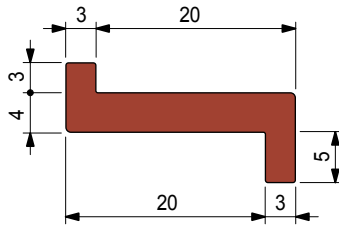
- **Best Seller**
- **Standard**
- **On request:** minimum quantity may apply.  
Consult our Customer Service for availability.

**Item code for order = Part. + Code**

## Part. S0262



### Chain - guide profile



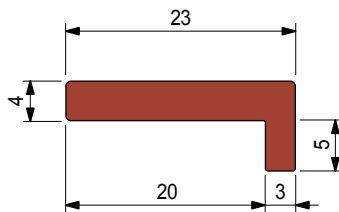
Material UHMWPE	Packaging metres	Code
ULF™ brown red	45	<b>UL640913</b>
Green	45	<b>632272</b>
Black	45	<b>63651</b>

- Standard packaging: coil.

## Part. S0386



### Chain - guide profile



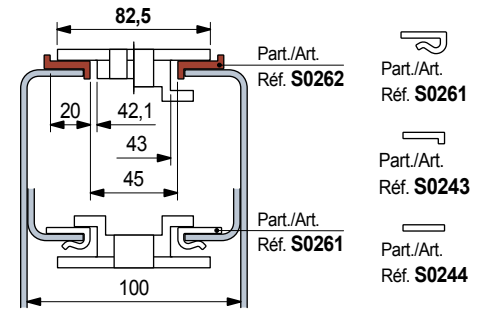
Material UHMWPE	Packaging metres	Code
ULF™ brown red	45	<b>UL648363</b>
Black	45	<b>66096</b>

- Can be used in combination with Part. S0387.  
 - Standard packaging: coil.

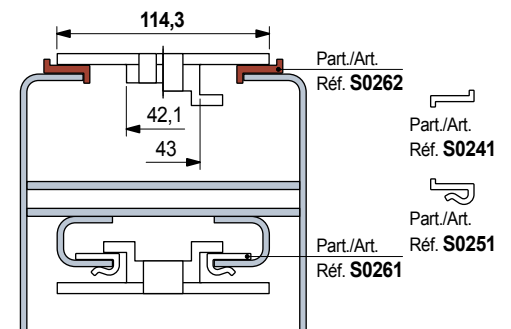
- **Material:** Polyethylene UHMWPE with molecular density 5.600.000 g/mol.  
 Characteristics: new material Polyethylene ULF™ brown red (UHMWPE): reduced friction coefficient, higher wear resistance.
- **Linear expansion coefficient:**  $2 \times 10^{-4} \text{ } ^\circ\text{C}^{-1}$   
 Calculation of thermal expansion see Technical information.
- **Operating temperature Green Black:**  
 In air (- 40 to + 80 °C).  
 In hot water (+ 70 °C).
- **Operating temperature ULF™ brown red:**  
 In air (- 40 to + 45 °C).  
 In hot water (+ 45 °C).
- **Polyethylene ULF™ is FDA approved**  
 Polyethylene ULF™ complies with the Code of Federal Regulations Title 21, § 177.1520 "Olefin Polymers" of the Food and Drug Administration (FDA) of April 1, 2008.
- **Coefficient of friction between chain POM and wearstrip ULF™:** 0,08.  
 Note: for calculation of chain pull refer to Technical Support.
- **Position of guides.** See Technical information.

- **TableTop® chains series 812 - 815 - 820 - 831 - 881TAB - 8811TAB - 879TAB - 880TAB**

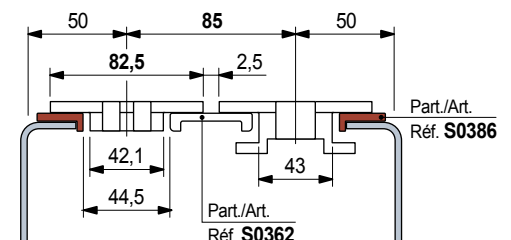
Chain width 82,5 mm (K 325) / Guide clearance 45 mm



Chain width 114,3 mm (K 450)



Chain width 82,5 mm (K 325) / Pitch 85 mm



● Best Seller

● Standard

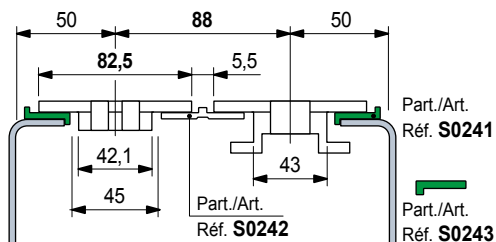
● On request: minimum quantity may apply. Consult our Customer Service for availability.

Item code for order = Part. + Code

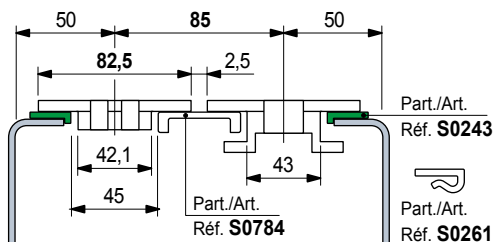
- **Material:** Polyethylene UHMWPE with molecular density 5.600.000 g/mol.  
Characteristics: new material Polyethylene ULF™ brown red (UHMWPE): reduced friction coefficient, higher wear resistance.
- **Linear expansion coefficient:**  $2 \times 10^{-4} \text{ } ^\circ\text{C}^{-1}$   
Calculation of thermal expansion see Technical information.
- **Operating temperature Green Black:**  
In air (- 40 to + 80 °C).  
In hot water (+ 70 °C).
- **Operating temperature ULF™ brown red:**  
In air (- 40 to + 45 °C).  
In hot water (+ 45 °C).
- **Polyethylene ULF™ is FDA approved**  
Polyethylene ULF™ complies with the Code of Federal Regulations Title 21, § 177.1520 "Olefin Polymers" of the Food and Drug Administration (FDA) of April 1, 2008.
- **Coefficient of friction between chain POM and wearstrip ULF™:** 0,08.  
Note: for calculation of chain pull refer to Technical Support.
- **Position of guides.** See Technical information.

• **TableTop®** chains series 812 - 815 - 820 - 831 - 881TAB - 8811TAB - 879TAB - 880TAB

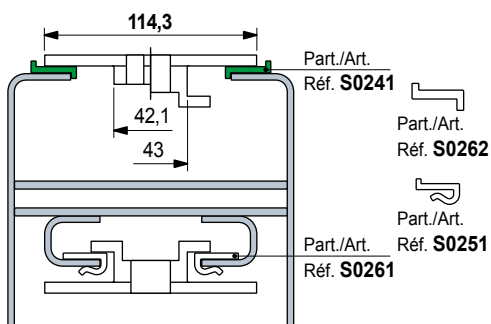
Chain width 82,5 mm (K 325) / Pitch 88 mm



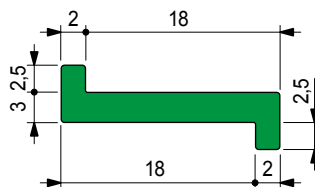
Chain width 82,5 mm (K 325) / Pitch 85 mm



Chain width 114,3 mm (K 450)



## Chain - guide profile



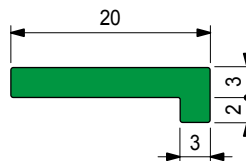
## Part. S0241



Material UHMWPE	Packaging metres	Code
Green	80	63641
Black	80	60356

- Standard packaging: coil.

## Chain - guide profile



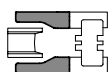
## Part. S0243



Material UHMWPE	Packaging metres	Code
Green	90	63701

- Standard packaging: coil.

- Accessories:



Chain inlet guide shoe side Part. S0551.

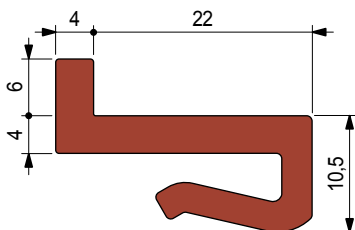
- Best Seller
- Standard
- On request: minimum quantity may apply. Consult our Customer Service for availability.

Item code for order = Part. + Code

## Part. S0822



### Chain - guide profile



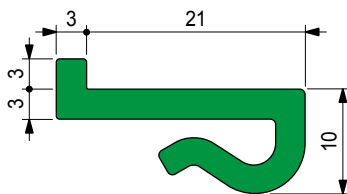
Material UHMWPE	Length metres	Code
ULF™ brown red	3	UL642613
	6	UL642623
Green	3	632713
	6	632723

- Applicable to 2,5 to 3,5 mm thick sheet metal.
- Can be used in combination with Part. S0362.
- Packaging: 96 metres.

## Part. S0825



### Chain - guide profile

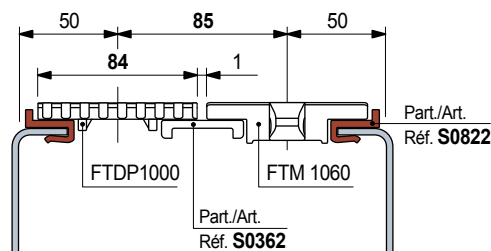


Material UHMWPE	Packaging metres	Code
Green	40	632033

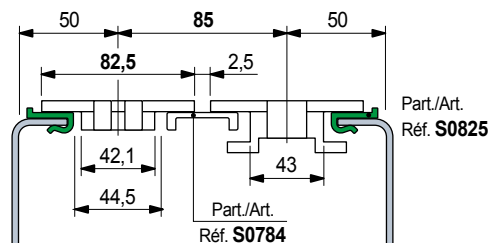
- Applicable to 2,5 to 3,5 mm thick sheet metal.
- Can be used in combination with Part. S0784.
- Standard packaging: coil.

- **Material:** Polyethylene UHMWPE with molecular density 5.600.000 g/mol.  
Characteristics: new material Polyethylene ULF™ brown red (UHMWPE): reduced friction coefficient, higher wear resistance.
- **Linear expansion coefficient:**  $2 \times 10^{-4} \text{ } ^\circ\text{C}^{-1}$   
Calculation of thermal expansion see Technical information.
- **Operating temperature Green Black:**  
In air (- 40 to + 80 °C).  
In hot water (+ 70 °C).
- **Operating temperature ULF™ brown red:**  
In air (- 40 to + 45 °C).  
In hot water (+ 45 °C).
- **Polyethylene ULF™ is FDA approved**  
Polyethylene ULF™ complies with the Code of Federal Regulations Title 21, § 177.1520 "Olefin Polymers" of the Food and Drug Administration (FDA) of April 1, 2008.
- **Coefficient of friction between chain POM and wearstrip ULF™:** 0,08.  
Note: for calculation of chain pull refer to Technical Support.
- **Position of guides.** See Technical information.

Chain width 84 mm Pitch 85 mm



Chain width 82,5 mm (K 325) / Pitch 85 mm



● Best Seller

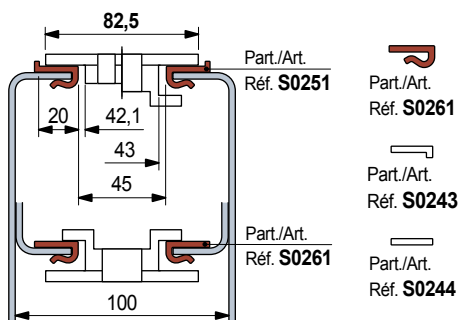
● Standard

● On request: minimum quantity may apply. Consult our Customer Service for availability.

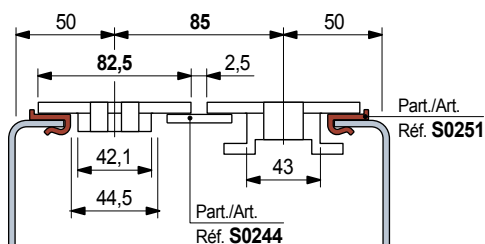
Item code for order = Part. + Code

- **Material:** Polyethylene UHMWPE with molecular density 5.600.000 g/mol.  
Characteristics: new material Polyethylene ULF™ brown red (UHMWPE): reduced friction coefficient, higher wear resistance.
- **Linear expansion coefficient:**  $2 \times 10^{-4} \text{ } ^\circ\text{C}^{-1}$   
Calculation of thermal expansion see Technical information.
- **Operating temperature Green Black:**  
In air (- 40 to + 80 °C).  
In hot water (+ 70 °C).
- **Operating temperature ULF™ brown red:**  
In air (- 40 to + 45 °C).  
In hot water (+ 45 °C).
- **Polyethylene ULF™ is FDA approved**  
Polyethylene ULF™ complies with the Code of Federal Regulations Title 21, § 177.1520 "Olefin Polymers" of the Food and Drug Administration (FDA) of April 1, 2008.
- **Coefficient of friction between chain POM and wearstrip ULF™:** 0,08.  
Note: for calculation of chain pull refer to Technical Support.
- **Position of guides.** See Technical information.

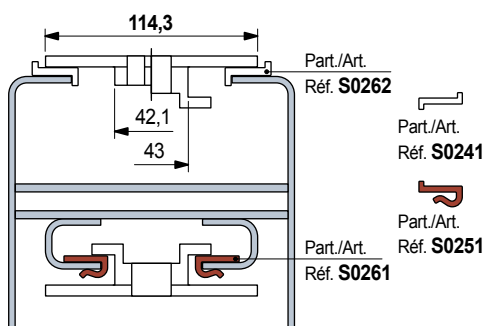
Chain width 82,5 mm (K 325) / Guide clearance 45 mm



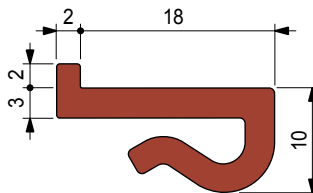
Chain width 82,5 mm (K 325) / Pitch 85 mm



Chain width 114,3 mm (K 450)



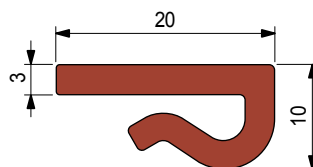
## Chain - guide profile



Material UHMWPE	Packaging metres	Code
ULF™ brown red	40	<b>UL642553</b>
Green	40	<b>63631</b>

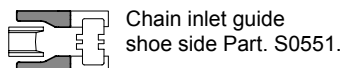
- Applicable to 2,5 to 3,5 mm thick sheet metal.
- Standard packaging: coil.

## Chain - guide profile



Material UHMWPE	Packaging metres	Code
ULF™ brown red	40	<b>UL634533N</b>
Green	40	<b>65681</b>

- Applicable to 2,5 to 3,5 mm thick sheet metal.
- Standard packaging: coil.
- Accessories:



Chain inlet guide shoe side Part. S0551.

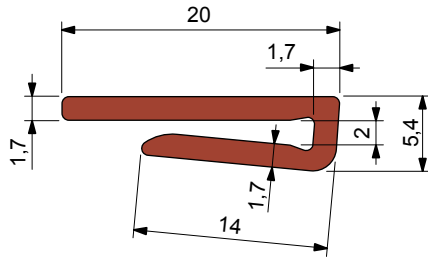
- Best Seller
- Standard
- On request: minimum quantity may apply. Consult our Customer Service for availability.

Item code for order = Part. + Code

## Part. S0840



### Chain - guide profile



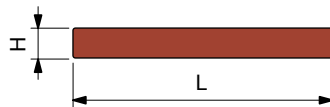
Material UHMWPE	Packaging metres	Code
ULF™ brown red	40	<b>UL642693</b>

- Applicable to 2 mm thick sheet metal.
- Standard packaging: coil.

## Part. S0244

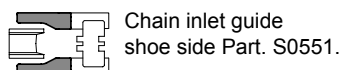


### Chain - guide profile



Material UHMWPE	L x H mm	Packaging metres	Code	
ULF™ brown red	40 x 3	60	<b>UL642563</b>	
	20 x 3	60	<b>63711</b>	
	20 x 5	80	<b>63691</b>	
	Green	25 x 3	60	<b>63721</b>
		30 x 3	60	<b>63731</b>
Black	40 x 3	60	<b>63661</b>	
	40 x 5	50	<b>608172</b>	
	20 x 3	60	<b>60386</b>	
	20 x 5	80	<b>60376</b>	

- Standard packaging: coil.
- Accessories:

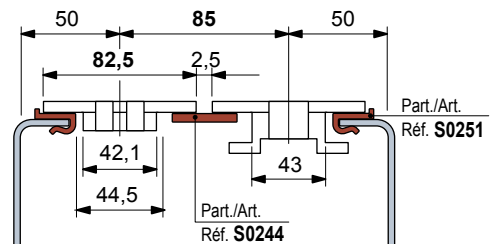


- **Material:** Polyethylene UHMWPE with molecular density 5.600.000 g/mol.  
Characteristics: new material Polyethylene ULF™ brown red (UHMWPE): reduced friction coefficient, higher wear resistance.
- **Linear expansion coefficient:**  $2 \times 10^{-4} \text{ } ^\circ\text{C}^{-1}$   
Calculation of thermal expansion see Technical information.
- **Operating temperature Green Black:**  
In air (- 40 to + 80 °C).  
In hot water (+ 70 °C).
- **Operating temperature ULF™ brown red:**  
In air (- 40 to + 45 °C).  
In hot water (+ 45 °C).
- **Polyethylene ULF™ is FDA approved**  
Polyethylene ULF™ complies with the Code of Federal Regulations Title 21, § 177.1520 "Olefin Polymers" of the Food and Drug Administration (FDA) of April 1, 2008.
- **Coefficient of friction between chain POM and wearstrip ULF™:** 0,08.  
Note: for calculation of chain pull refer to Technical Support.
- **Position of guides.** See Technical information.

- ZeroGap™ chains serie 1775

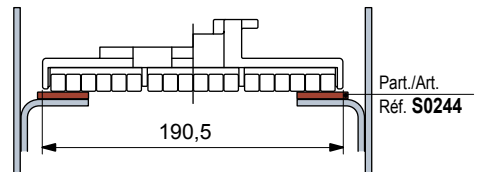


Chain width 82,5 mm (K 325) / Pitch 85 mm

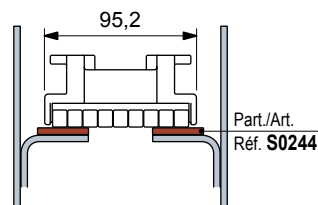


- **Low backline pressure chains series SLBP 882 TAB - SLBP 821**

Chain width 190,5 mm (K 750)



Chain width 95,2 mm (K 375)



● Best Seller

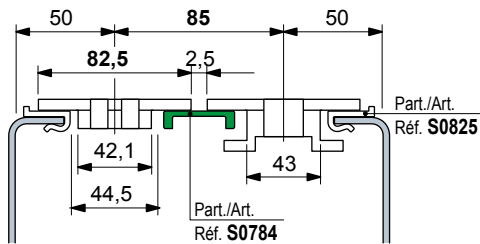
● Standard

● On request: minimum quantity may apply. Consult our Customer Service for availability.

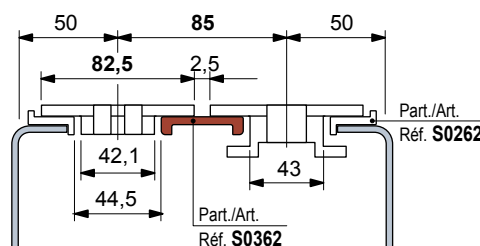
Item code for order = Part. + Code

- **Material:** Polyethylene UHMWPE with molecular density 5.600.000 g/mol.  
Characteristics: new material Polyethylene ULF™ brown red (UHMWPE): reduced friction coefficient, higher wear resistance.
- **Linear expansion coefficient:**  $2 \times 10^{-4} \text{ } ^\circ\text{C}^{-1}$   
Calculation of thermal expansion see Technical information.
- **Operating temperature Green Black:**  
In air (- 40 to + 80 °C).  
In hot water (+ 70 °C).
- **Operating temperature ULF™ brown red:**  
In air (- 40 to + 45 °C).  
In hot water (+ 45 °C).
- **Polyethylene ULF™ is FDA approved**  
Polyethylene ULF™ complies with the Code of Federal Regulations Title 21, § 177.1520 "Olefin Polymers" of the Food and Drug Administration (FDA) of April 1, 2008.
- **Coefficient of friction between chain POM and wearstrip ULF™:** 0,08.  
Note: for calculation of chain pull refer to Technical Support.
- **Position of guides.** See Technical information.

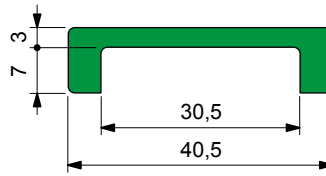
Chain width 82,5 mm (K 325) / Pitch 85 mm



Chain width 82,5 mm (K 325) / Pitch 85 mm



## Chain - guide profile

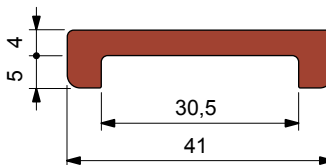


Material UHMWPE	Length metres	Code
Green	3	620513
	6	620523
Black	3	620533
	6	620543

- Packaging: 96 metres.

## Part. S0784

## Chain - guide profile



Material UHMWPE	Length metres	Code
ULF™ brown red	3	UL635293
	6	UL635303
Green	3	694331
	6	67435
Black	3	694341
	6	61726

- Packaging: 96 metres.

- Best Seller
- Standard
- On request: minimum quantity may apply. Consult our Customer Service for availability.

Item code for order = Part. + Code

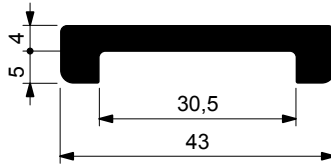


## Part. S0387



Reinforced version

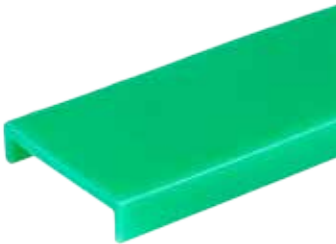
■ Chain - guide profile



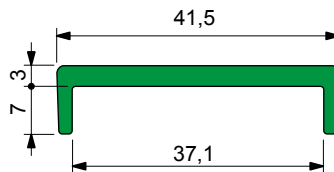
Material	Length metres	Code
UHMWPE		
Black	3	694351
	6	66106

- Can be used in combination with Part. S0386.
- Packaging: 96 metres.

## Part. S0824



■ Chain - guide profile



Material	Length metres	Code
UHMWPE		
Green	3	631663
	6	631653

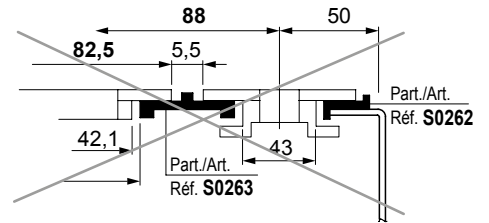
- Packaging: 96 metres.

- **Material:** Polyethylene UHMWPE with molecular density 5.600.000 g/mol.  
Characteristics: new material Polyethylene ULF™ brown red (UHMWPE): reduced friction coefficient, higher wear resistance.
- **Linear expansion coefficient:**  $2 \times 10^{-4} \text{ } ^\circ\text{C}^{-1}$   
Calculation of thermal expansion see Technical information.
- **Operating temperature Green Black:**  
In air (- 40 to + 80 °C).  
In hot water (+ 70 °C).
- **Operating temperature ULF™ brown red:**  
In air (- 40 to + 45 °C).  
In hot water (+ 45 °C).
- **Polyethylene ULF™ is FDA approved**  
Polyethylene ULF™ complies with the Code of Federal Regulations Title 21, § 177.1520 "Olefin Polymers" of the Food and Drug Administration (FDA) of April 1, 2008.
- **Coefficient of friction between chain POM and wearstrip ULF™:** 0,08.  
Note: for calculation of chain pull refer to Technical Support.
- **Position of guides.** See Technical information.

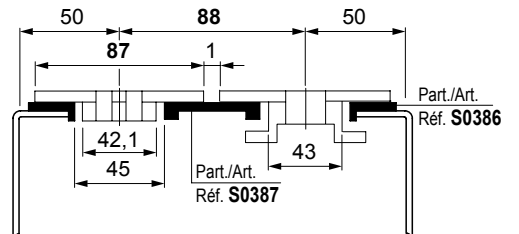
• TableTop® chains series 820 - 880TAB

Chain width 87 mm (K 343) / Pitch 88 mm

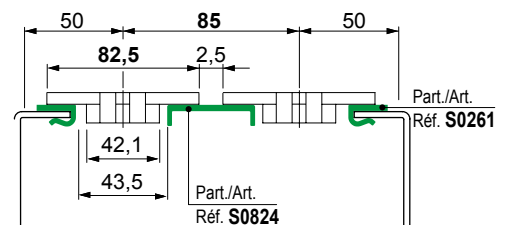
Multi strand conveyors, with 82,5 mm width chains and pitch 88 mm, can be modified to convey PET bottles with pethal bottom or other unstable products.



Change chains (from 82,5 mm to 87 mm width) and wear strip, in this way the Gap between chains is reduced (from 5,5 mm to 1 mm) while the conveyor frame is unchanged (pitch 88 mm).



Chain width 82,5 mm (K 325) / Pitch 85 mm



● Best Seller

● Standard

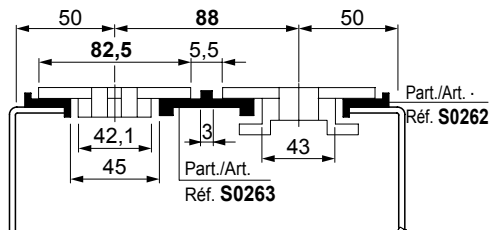
● On request: minimum quantity may apply. Consult our Customer Service for availability.

Item code for order = Part. + Code

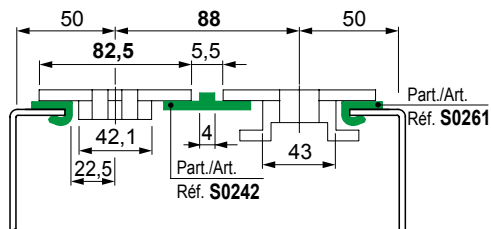
- **Material:** Polyethylene UHMWPE with molecular density 5.600.000 g/mol.  
Characteristics: new material Polyethylene ULF™ brown red (UHMWPE): reduced friction coefficient, higher wear resistance.
- **Linear expansion coefficient:**  $2 \times 10^{-4} \text{ } ^\circ\text{C}^{-1}$   
Calculation of thermal expansion see Technical information.
- **Operating temperature Green Black:**  
In air (- 40 to + 80 °C).  
In hot water (+ 70 °C).
- **Operating temperature ULF™ brown red:**  
In air (- 40 to + 45 °C).  
In hot water (+ 45 °C).
- **Polyethylene ULF™ is FDA approved**  
Polyethylene ULF™ complies with the Code of Federal Regulations Title 21, § 177.1520 "Olefin Polymers" of the Food and Drug Administration (FDA) of April 1, 2008.
- **Coefficient of friction between chain POM and wearstrip ULF™:** 0,08.  
Note: for calculation of chain pull refer to Technical Support.
- **Position of guides.** See Technical information.

• **TableTop® chains** series 812 - 815 - 820 - 831 - 881TAB - 8811TAB - 879TAB - 880TAB

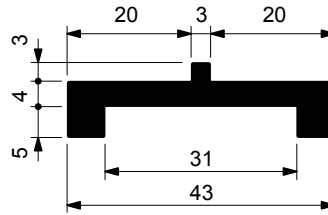
Chain width 82,5 mm (K 325) / Pitch 88 mm



Chain width 82,5 mm (K 325) / Pitch 88 mm  
It differentiates because the gap between chain edges and the side rib of Part. S0242 is smaller.



## Chain - guide profile



Material	Length metres	Code
UHMWPE		
Black	3	694321
	6	63681

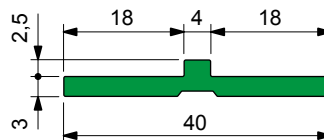
- Packaging: 96 metres.

## Part. S0263



Reinforced version

## Chain - guide profile



Material	Packaging metres	Code
UHMWPE		
Green	80	63671

- Standard packaging: coil.

## Part. S0242



● Best Seller

● Standard

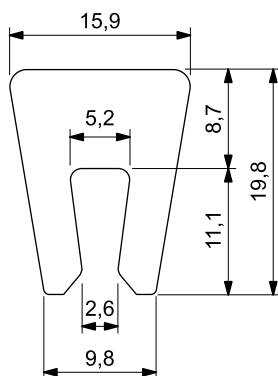
● On request: minimum quantity may apply. Consult our Customer Service for availability.

Item code for order = Part. + Code

## Part. S0634



### Chain - guide profile



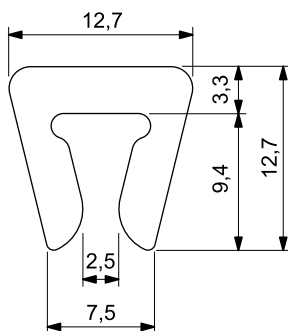
Material UHMWPE	Length metres	Code
White	3	634073
	6	650962

- Applicable to 4 mm thick sheet metal.
- Packaging: 96 metres.

## Part. S0814



### Chain - guide profile



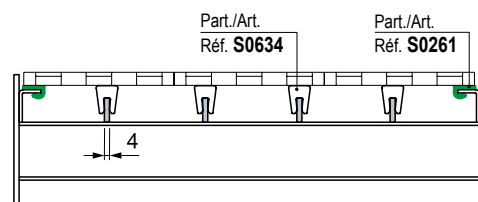
Material UHMWPE	Packaging metres	Code
White	30	629163

- Applicable to 3 to 4 mm thick sheet metal.
- Standard packaging: coil.

- **Material:** Polyethylene UHMWPE with molecular density 5.600.000 g/mol.  
Characteristics: new material Polyethylene ULF™ brown red (UHMWPE): reduced friction coefficient, higher wear resistance.
- **Linear expansion coefficient:**  $2 \times 10^{-4} \text{ } ^\circ\text{C}^{-1}$   
Calculation of thermal expansion see Technical information.
- **Operating temperature Green Black:**  
In air (- 40 to + 80 °C).  
In hot water (+ 70 °C).
- **Operating temperature ULF™ brown red:**  
In air (- 40 to + 45 °C).  
In hot water (+ 45 °C).
- **Polyethylene ULF™ is FDA approved**  
Polyethylene ULF™ complies with the Code of Federal Regulations Title 21, § 177.1520 "Olefin Polymers" of the Food and Drug Administration (FDA) of April 1, 2008.
- **Coefficient of friction between chain POM and wearstrip ULF™:** 0,08.  
Note: for calculation of chain pull refer to Technical Support.
- **Position of guides.** See Technical information.

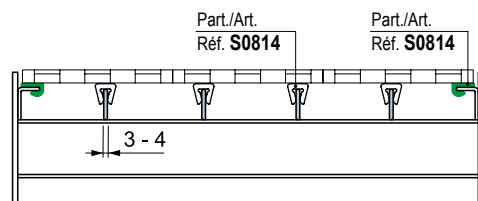
### MatTop® modular chains

Parallel wear strips.  
Recommened with mediumlight loads.



### MatTop® modular chains

Parallel wear strips.  
Recommened with mediumlight loads.



● Best Seller

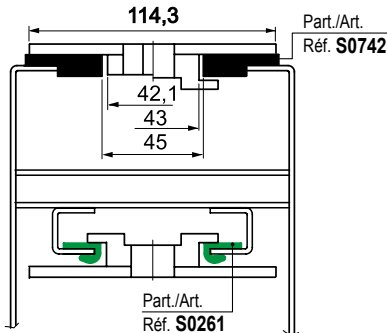
● Standard

● On request: minimum quantity may apply. Consult our Customer Service for availability.

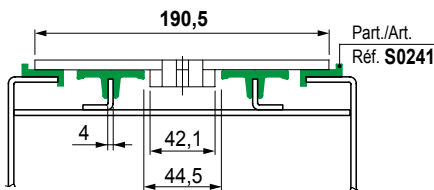
Item code for order = Part. + Code

- **Material:** Polyethylene UHMWPE with molecular density 5.600.000 g/mol.  
Characteristics: new material Polyethylene ULF™ brown red (UHMWPE): reduced friction coefficient, higher wear resistance.
- **Linear expansion coefficient:**  $2 \times 10^{-4} \text{ } ^\circ\text{C}^{-1}$   
Calculation of thermal expansion see Technical information.
- **Operating temperature Green Black:**  
In air (- 40 to + 80 °C).  
In hot water (+ 70 °C).
- **Operating temperature ULF™ brown red:**  
In air (- 40 to + 45 °C).  
In hot water (+ 45 °C).
- **Polyethylene ULF™ is FDA approved**  
Polyethylene ULF™ complies with the Code of Federal Regulations Title 21, § 177.1520 "Olefin Polymers" of the Food and Drug Administration (FDA) of April 1, 2008.
- **Coefficient of friction between chain POM and wearstrip ULF™:** 0,08.  
Note: for calculation of chain pull refer to Technical Support.
- **Position of guides.** See Technical information.

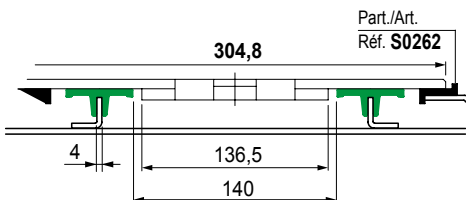
- **Use of part. S0742**  
Ideal with TableTop® chains width 114,3 mm (K450).  
Chain width 114,3 mm (K 450).



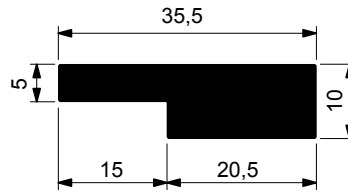
- **Use of part. S0674**  
Ideal as intermediate support for wide chains.  
TableTop® chains series 820 width 190,5 (K750).



- TableTop® double hinge chains series 821 width 304,8 (K1200).



## Chain - guide profile



Material	Length metres	Code
UHMWPE		
Black	3	617973N

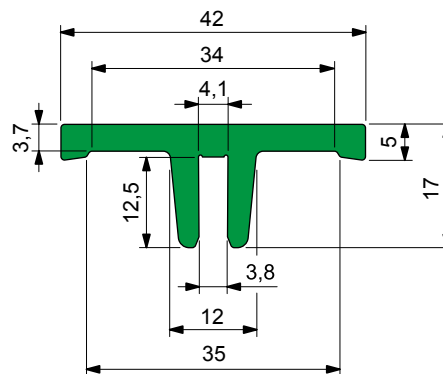
- Material: Polyethylene UHMWPE with molecular density 1.000.000 g/mol.
- Packaging: 48 metres.

## Part. S0742



Reinforced version

## Chain - guide profile



Material	Length metres	Code
UHMWPE		
Green	3	675792
	6	675802

- Applicable to 4 mm thick sheet metal.
- Packaging: 24 metres.

## Part. S0674



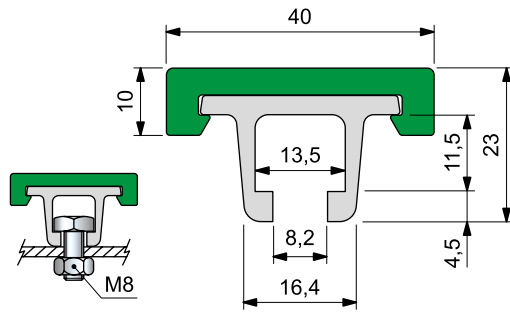
- Best Seller
- Standard
- On request: minimum quantity may apply. Consult our Customer Service for availability.

Item code for order = Part. + Code

## Part. S0422



### Chain - guide profile



Assembly with M8 hexagon bolt

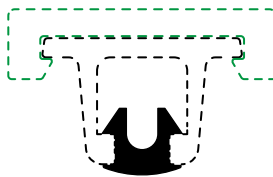
Metal profile material	Length metres	Code	Weight kg/m
Anodized aluminium	3	65248M	0,70
	6	65258M	

- Colour: green.
- Standard packaging: the plastic and metal profiles are supplied assembled.
- Packaging: 24 metres.

## Part. S0370



### Sealing profile



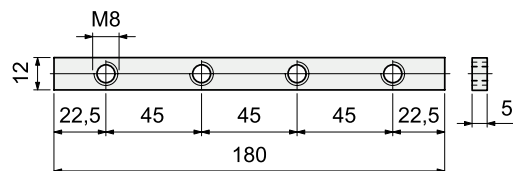
Material	Packaging metres	Code
Rubber EPDM 80 (black)	20	61036

- Use: when applied to the metal profile, this product improves guide cleanliness.
- Standard packaging: coil.

## Part. S0369



### Connecting bar



Material	Code	Weight kg
Zinc plated steel	69995	0,10

- Packaging: 8 pieces.

● Best Seller

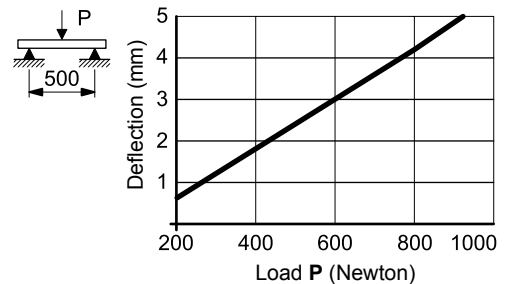
● Standard

● On request: minimum quantity may apply. Consult our Customer Service for availability.

Item code for order = Part. + Code

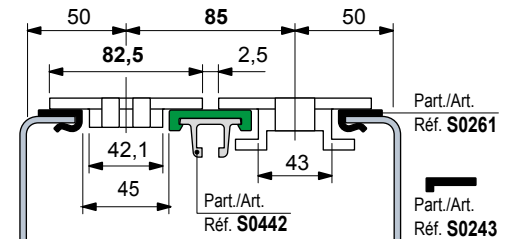
- **Material:** Polyethylene UHMWPE with molecular density 5.600.000 g/mol.  
Characteristics: new material Polyethylene ULF™ brown red (UHMWPE): reduced friction coefficient, higher wear resistance.
- **Linear expansion coefficient:**  $2 \times 10^{-4} \text{ } ^\circ\text{C}^{-1}$   
Calculation of thermal expansion see Technical information.
- **Operating temperature Green Black:**  
In air (- 40 to + 80 °C).  
In hot water (+ 70 °C).
- **Operating temperature ULF™ brown red:**  
In air (- 40 to + 45 °C).  
In hot water (+ 45 °C).
- **Polyethylene ULF™ is FDA approved**  
Polyethylene ULF™ complies with the Code of Federal Regulations Title 21, § 177.1520 "Olefin Polymers" of the Food and Drug Administration (FDA) of April 1, 2008.
- **Coefficient of friction between chain POM and wearstrip ULF™:** 0,08.  
Note: for calculation of chain pull refer to Technical Support.
- **Position of guides.** See Technical information.

### Deflection

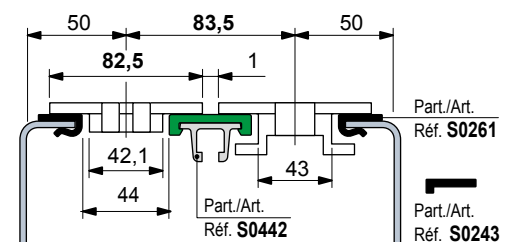


- **TableTop® chains** series 812 - 815 - 820 - 831 - 881TAB - 8811TAB - 879TAB - 880TAB

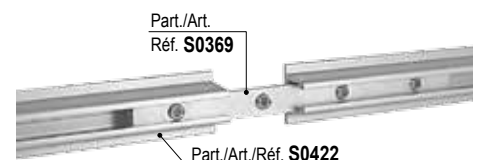
Chain width 82,5 mm (K 325) / Pitch 85 mm



Chain width 82,5 mm (K 325) / Pitch 83,5 mm

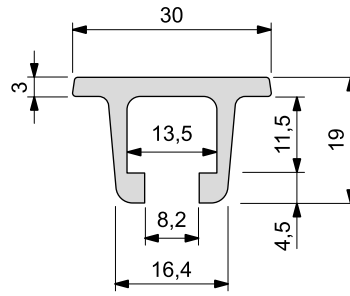


- **Assembly of Part. S0369**  
Insert the guides and tighten the set screws.



- **Material:** Polyethylene UHMWPE with molecular density 5.600.000 g/mol.  
Characteristics: new material Polyethylene ULF™ brown red (UHMWPE): reduced friction coefficient, higher wear resistance.
- **Linear expansion coefficient:**  $2 \times 10^{-4} \text{ } ^\circ\text{C}^{-1}$   
Calculation of thermal expansion see Technical information.
- **Operating temperature Green Black:**  
In air (- 40 to + 80 °C).  
In hot water (+ 70 °C).
- **Operating temperature ULF™ brown red:**  
In air (- 40 to + 45 °C).  
In hot water (+ 45 °C).
- **Polyethylene ULF™ is FDA approved**  
Polyethylene ULF™ complies with the Code of Federal Regulations Title 21, § 177.1520 "Olefin Polymers" of the Food and Drug Administration (FDA) of April 1, 2008.
- **Coefficient of friction between chain POM and wearstrip ULF™:** 0,08.  
Note: for calculation of chain pull refer to Technical Support.
- **Position of guides.** See Technical information.

## Chain - guide profile



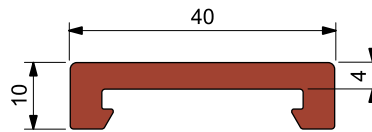
## Part. S0884



Metal profile material	Length metres	Code	Weight kg/m
Alluminio anodizzato	3	<b>608662</b>	0,50

- Packaging: 24 metres.

## Chain - guide profile



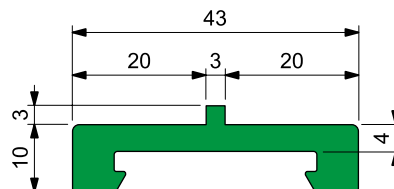
## Part. S0885



Material UHMWPE	Length metres	Code
ULF - brown red	6	<b>648423</b>
Green	6	<b>68309</b>

- Can be used in combination with Part. S0884 - S0368.

## Chain - guide profile



## Part. S0886



Material UHMWPE	Length metres	Code
Green	6	<b>644071</b>

- Can be used in combination with Part. S0884 - S0368.

● Best Seller

● Standard

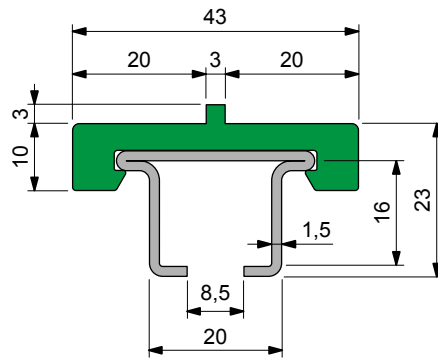
● On request: minimum quantity may apply. Consult our Customer Service for availability.

Item code for order = Part. + Code

## Part. S0366



### Chain - guide profile



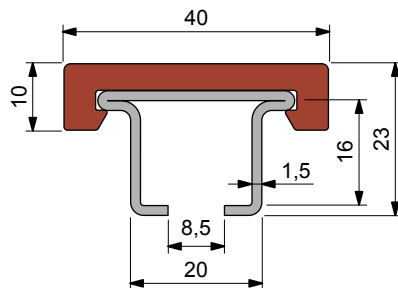
Metal profile material	Length metres	Code	Weight kg/m
Austenitic stainless steel	3	<b>64056M</b>	1,10
	6	<b>69585M</b>	
Ferritic stainless steel	3	<b>693252M</b>	
	6	<b>693262M</b>	

- Colour: green.
- Standard packaging: the plastic and metal profiles are supplied assembled.
- Packaging: 18 metres.

## Part. S0367



### Chain - guide profile

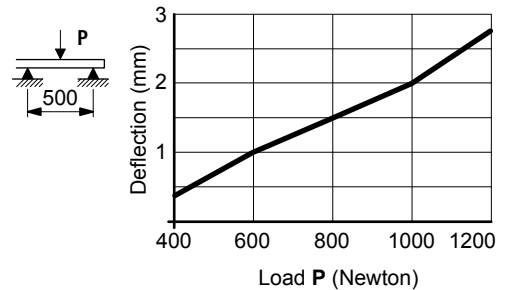


Metal profile material	Material UHMWPE	Length metres	Code	Weight kg/m
Austenitic stainless steel	ULF brown red	3	<b>UL648523M</b>	1,10
	ULF brown red	6	<b>UL648533M</b>	
	Green	3	<b>64046M</b>	
	Green	6	<b>69615M</b>	
Ferritic stainless steel	ULF brown red	3	<b>UL648543M</b>	
	ULF brown red	6	<b>UL648553M</b>	
	Green	3	<b>693272M</b>	
	Green	6	<b>693282M</b>	

- Standard packaging: the plastic and metal profiles are supplied assembled.
- Packaging: 18 metres.

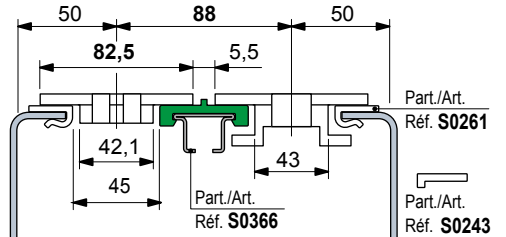
- **Material:** Polyethylene UHMWPE with molecular density 5.600.000 g/mol.  
Characteristics: new material Polyethylene ULF™ brown red (UHMWPE): reduced friction coefficient, higher wear resistance.
- **Linear expansion coefficient:**  $2 \times 10^{-4} \text{ } ^\circ\text{C}^{-1}$   
Calculation of thermal expansion see Technical information.
- **Operating temperature Green Black:**  
In air (- 40 to + 80 °C).  
In hot water (+ 70 °C).
- **Operating temperature ULF™ brown red:**  
In air (- 40 to + 45 °C).  
In hot water (+ 45 °C).
- **Polyethylene ULF™ is FDA approved**  
Polyethylene ULF™ complies with the Code of Federal Regulations Title 21, § 177.1520 "Olefin Polymers" of the Food and Drug Administration (FDA) of April 1, 2008.
- **Coefficient of friction between chain POM and wearstrip ULF™:** 0,08.  
Note: for calculation of chain pull refer to Technical Support.
- **Position of guides.** See Technical information.

### Deflection of Part. S0366 - S0367 - S0368

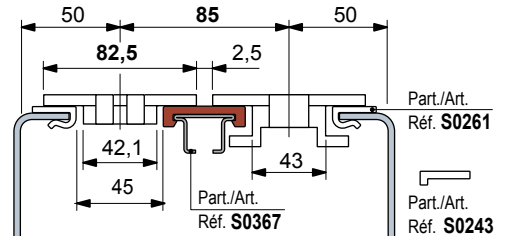


### TableTop® chains series 812 - 815 - 820 - 831 - 881TAB - 8811TAB - 879TAB - 880TAB

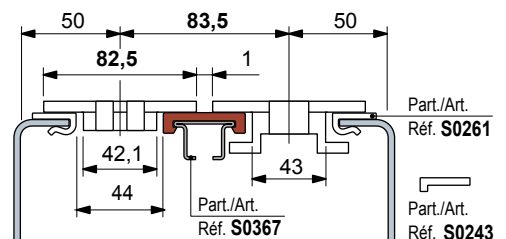
Chain width 82,5 mm (K 325) / Pitch 88 mm



Chain width 82,5 mm (K 325) / Pitch 85 mm



Chain width 82,5 mm (K 325) / Pitch 83,5 mm



● Best Seller

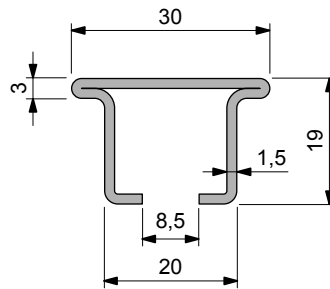
● Standard

● On request: minimum quantity may apply. Consult our Customer Service for availability.

Item code for order = Part. + Code

- **Material:** Polyethylene UHMWPE with molecular density 5.600.000 g/mol.  
Characteristics: new material Polyethylene ULF™ brown red (UHMWPE): reduced friction coefficient, higher wear resistance.
- **Linear expansion coefficient:**  $2 \times 10^{-4} \text{ } ^\circ\text{C}^{-1}$   
Calculation of thermal expansion see Technical information.
- **Operating temperature Green Black:**  
In air (- 40 to + 80 °C).  
In hot water (+ 70 °C).
- **Operating temperature ULF™ brown red:**  
In air (- 40 to + 45 °C).  
In hot water (+ 45 °C).
- **Polyethylene ULF™ is FDA approved**  
Polyethylene ULF™ complies with the Code of Federal Regulations Title 21, § 177.1520 "Olefin Polymers" of the Food and Drug Administration (FDA) of April 1, 2008.
- **Coefficient of friction between chain POM and wearstrip ULF™:** 0,08.  
Note: for calculation of chain pull refer to Technical Support.
- **Position of guides.** See Technical information.

## Chain - guide profile



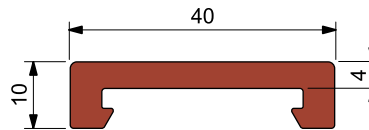
Metal profile material	Length metres	Code	Weight kg/m
Austenitic stainless steel	3	64066	0,90
Austenitic stainless steel	6	69645	
Ferritic stainless steel	3	693292	
Ferritic stainless steel	6	693302	

- Use: recommended with MatTop® chains in abrasive environment / high speed / high temperature.
- Packaging: 18 metres.

## Part. S0368



## Chain - guide profile



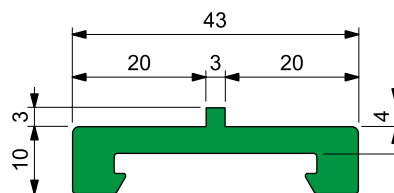
Material UHMWPE	Length metres	Code
ULF - brown red	6	648423
Green	6	68309

- Can be used in combination with Part. S0368 - S0884.

## Part. S0885



## Chain - guide profile



Material UHMWPE	Length metres	Code
Green	6	644071

- Can be used in combination with Part. S0368 - S0884.

## Part. S0886



- Best Seller
- Standard
- On request: minimum quantity may apply. Consult our Customer Service for availability.

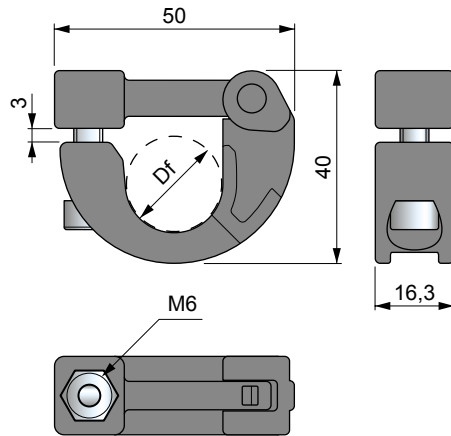
Item code for order = Part. + Code



## Part. S0858



### Hinge Joint



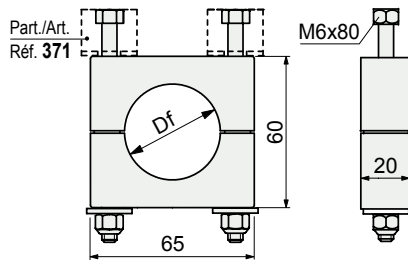
Bore dia. mm	Code	Weight kg
ø 20	<b>645493</b>	0,03

- Use: easy assembly of wear strips on tubes rods dia. 20 mm.
- Material: clamp in reinforced polyamide PA FV (black). Bolts and nuts in austenitic stainless steel.
- Packaging: 50 pieces.

## Part. S0559



### Connecting block



Bore dia. mm	Code
ø 38	<b>696161</b>

- Use: easy assembly of wear strips on tube dia. 38 mm.
- Material: clamp in reinforced polyamide PA FV (black). Bolts and nuts in austenitic stainless steel. Self-locking nuts.
- Packaging: 50 pieces.

### Use of Part S0858

Assembly the chain guide profiles Part. S0366 - S0367 - S0368 on rods dia. 20 mm.

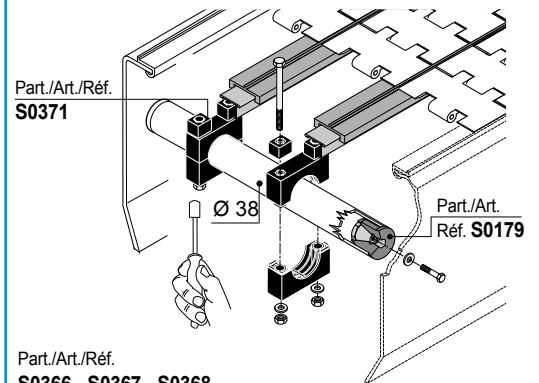


No more drilling holes to assemble the profile, possibility to easily adjust the position of the guide, standardization of the 20 mm rod already used for the chain return section (with rollers).

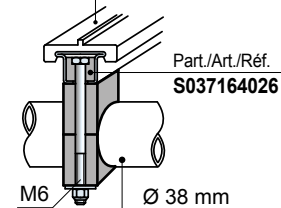


### Assembly of Part. S0559

Part. S0371 (M6 version) shall be used to assemble wear strips on Part. S0559.



Part./Art./Réf.  
**S0366 - S0367 - S0368**



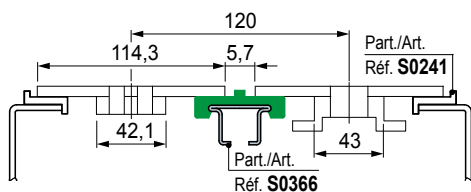
● Best Seller

● Standard

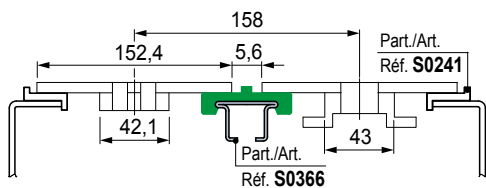
● On request: minimum quantity may apply. Consult our Customer Service for availability.

Item code for order = Part. + Code

Chain width 114,3 mm (K 450) / Pitch 120 mm

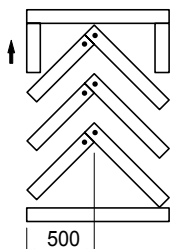
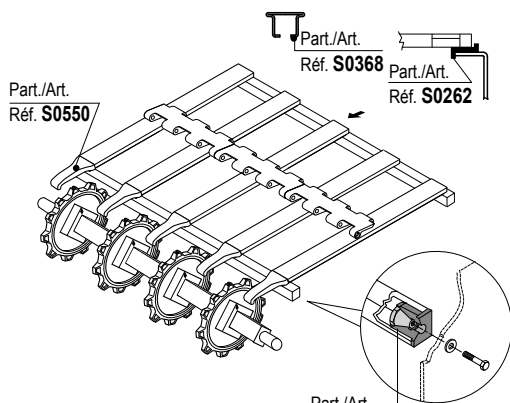
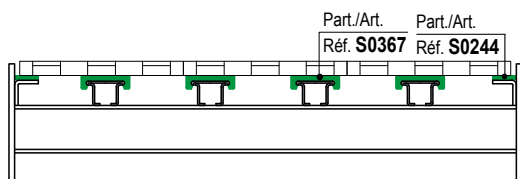


Chain width 152,4 mm (K 600) / Pitch 158 mm



### • MatTop® modular chains

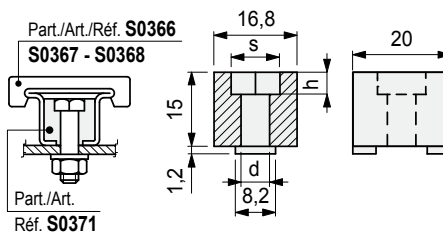
Parallel wear strips.  
Recommened with medium light loads.



CHEVRON pattern.  
Recommended with high loads  
(accumulation tables).  
Chain wear is evenly distributed  
throughout the width.

Part./Art.  
Réf. S0592

### ■ Mounting block



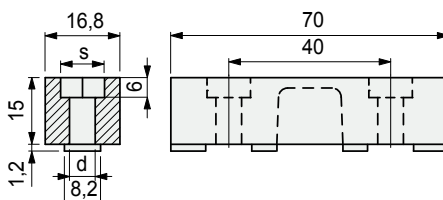
## Part. S0371



d mm	h mm	Hexagon s mm	Code
6,2 (for screws M6)	4,5	10,2	64026
8,1 (for screws M8)	6	13,2	61056

- Use: easy assembly of wear strips on frame. Assembly with M6 or M8 hexagon bolt.
- Material: reinforced polyamide PA FV (black).
- Packaging: 100 pieces.

### ■ Connecting block



## Part. S0621



d mm	Hexagon s mm	Code
6,2 (for screws M6)	10,2	670562
8,1 (for screws M8 - 5/16")	13,2	635542

- Use: easy connection of chain guide profiles Part. S0366 - S0367 - S0368. Assembly with M6 - M8 - 5/16" hexagon bolt.
- Material: reinforced polyamide PA FV (black).
- Packaging: 100 pieces.

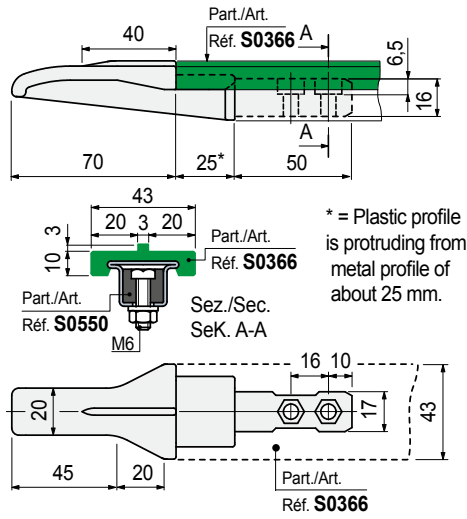
- Best Seller
- Standard
- On request: minimum quantity may apply. Consult our Customer Service for availability.

Item code for order = Part. + Code

## Part. S0550



### Chain inlet guide shoe (centre)



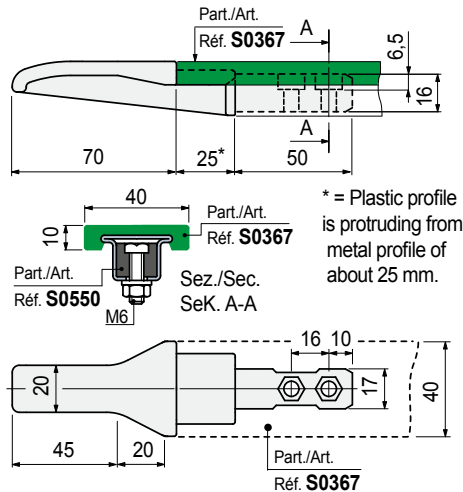
Code	Weight kg
689481	0,042

- Use: can be used in combination with Part. S0366.
- Material: polyamide PA (black).
- Packaging: 50 pieces.

## Part. S0550



### Chain inlet guide shoe (centre)



Code	Weight kg
689491	0,042

- Use: can be used in combination with Part. S0367.
- Material: polyamide PA (black).
- Packaging: 50 pieces.

● Best Seller

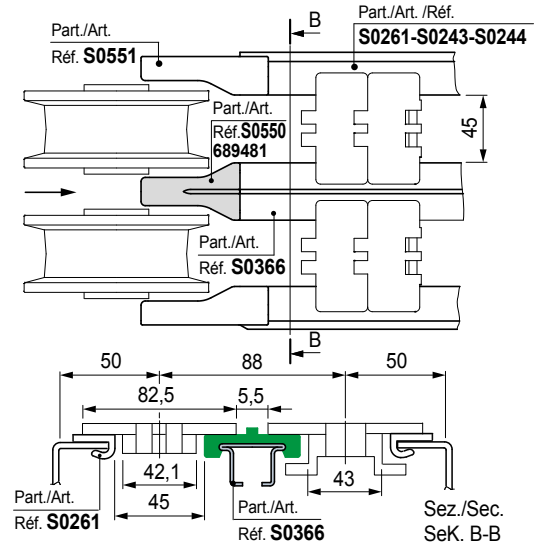
● Standard

● On request: minimum quantity may apply. Consult our Customer Service for availability.

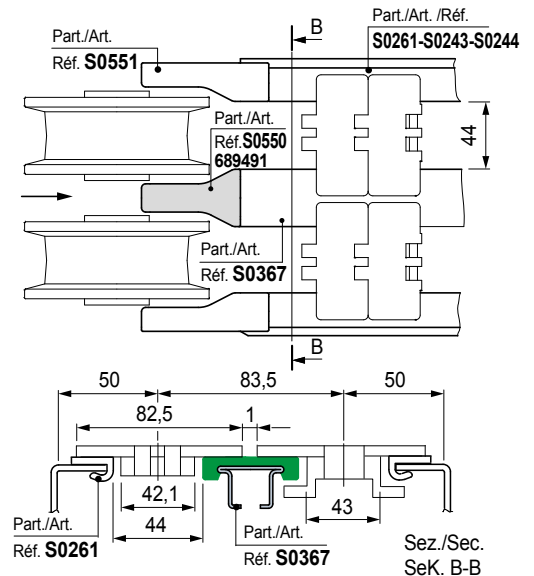
Item code for order = Part. + Code

In TableTop® conveyors, chain inlet guide shoes shall be used near the idlers.  
In MatTop® conveyors can be used near the sprockets too.

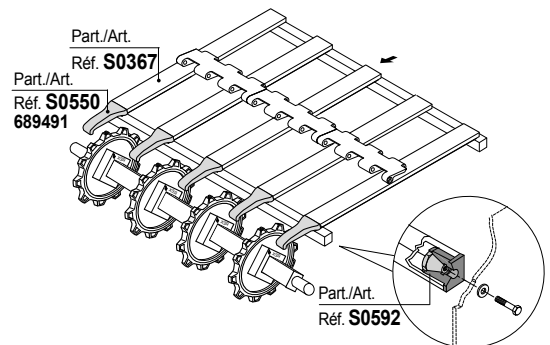
- Chain width 82,5 mm (K325) / Pitch 88 mm.



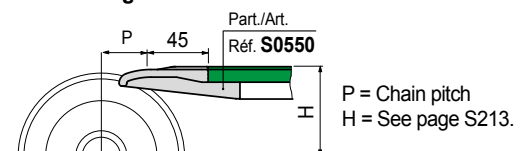
- Chain width 82,5 mm (K325) / Pitch 83,5 mm.



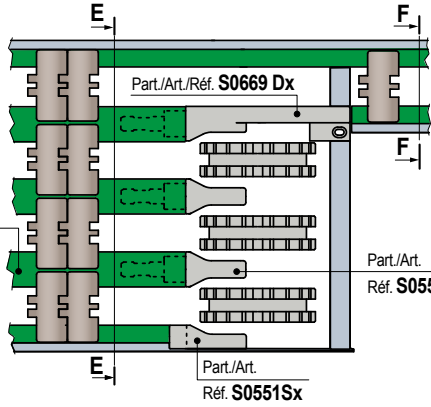
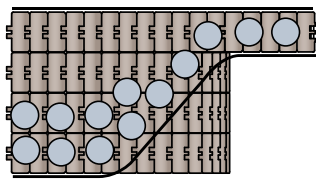
- Example of use of Part. 550 in a MatTop® conveyor.



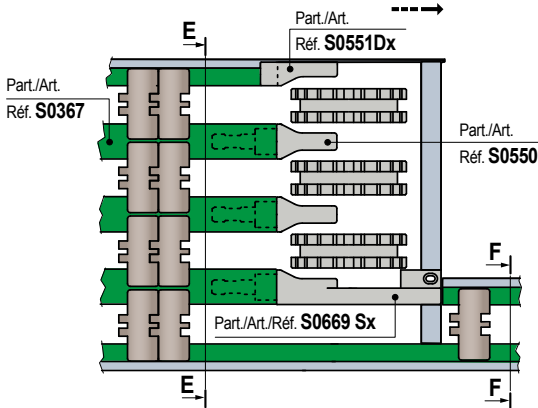
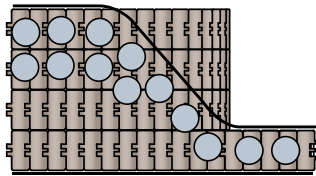
- Positioning



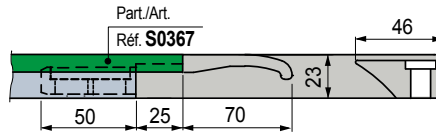
### • Right shoe Dx



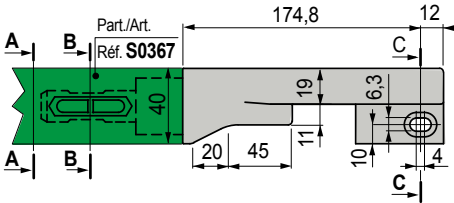
### • Left shoe Sx



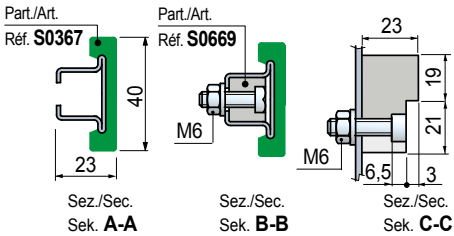
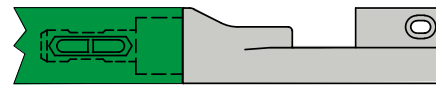
### ■ Side transfer guide shoe



#### Version right Dx



#### Version left Sx



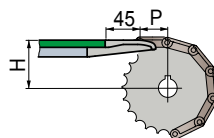
## Part. S0669



Material	Version	Code	Weight kg
Poliamide PA (black)	Right Dx	674212	0,1
	Left Sx	674222	

- Use: chain guide during side transfer.
- Packaging: 10 pieces.

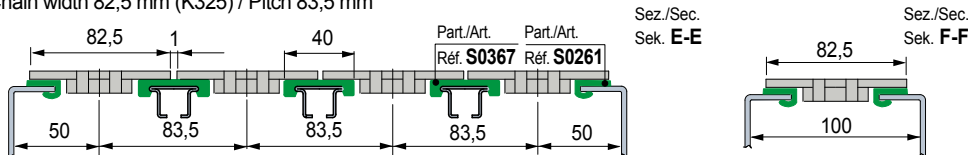
### • Positioning



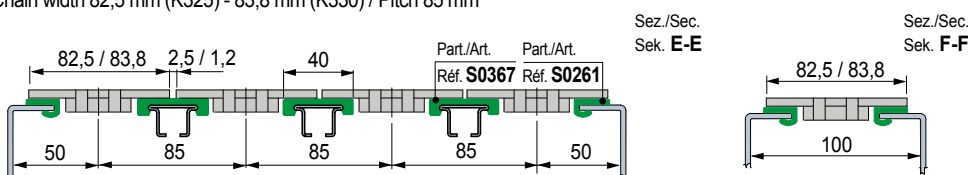
P = Chain pitch  
H = See page S213.

### • TableTop® chains series 812 - 815 - 820 - 831 - 881TAB - 8811TAB - 879TAB - 880TAB

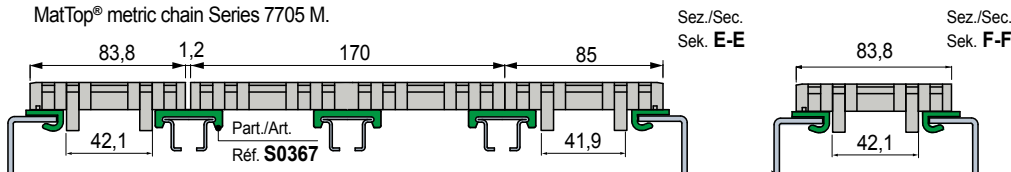
Chain width 82,5 mm (K325) / Pitch 83,5 mm



Chain width 82,5 mm (K325) - 83,8 mm (K330) / Pitch 85 mm



MatTop® metric chain Series 7705 M.

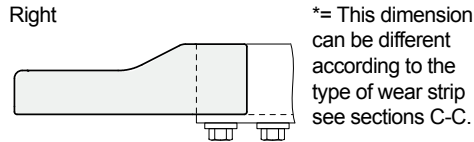
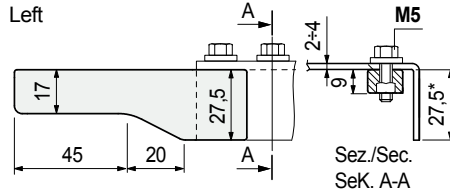
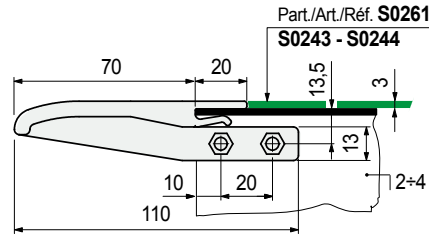


- Best Seller
- Standard
- On request: minimum quantity may apply. Consult our Customer Service for availability.

Item code for order = Part. + Code

## Part. S0551

### Chain inlet guide shoe (side)



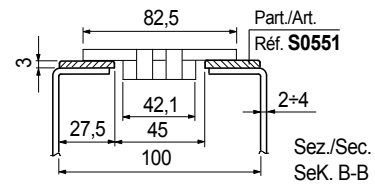
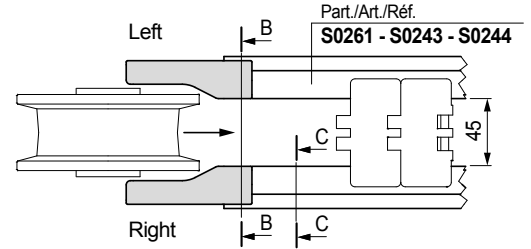
State of supply	Code	Weight kg
Left + Right	689501	0,026
Right	630913	0,013
Left	630923	0,013

- Use: can be used in combination with Part. S0261 - S0243 - S0244.
- Material: polyamide PA (black).
- Packaging: 25 left + 25 right

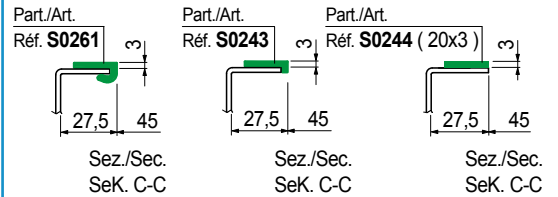
### • Use for Part. S0551

In TableTop® conveyors, chain inlet guide shoes shall be used near the idlers.

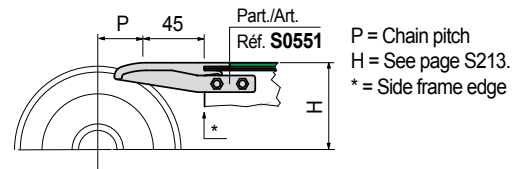
- Chain width 82,5 mm (K325).



Types of wear strips that can be used with guide shoe (only thickness 3 mm).



### • Positioning



● Best Seller

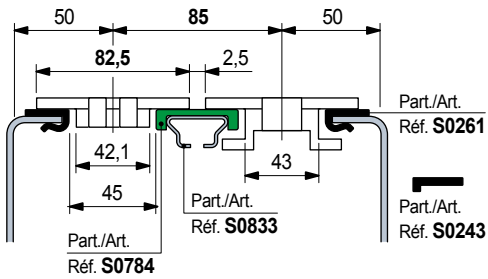
● Standard

● On request: minimum quantity may apply. Consult our Customer Service for availability.

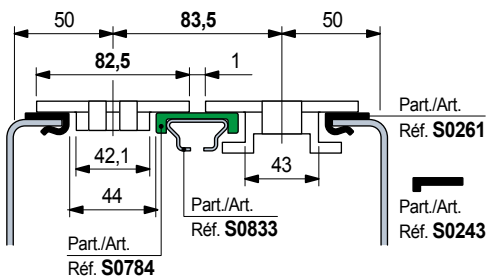
Item code for order = Part. + Code

- **TableTop® chains** series 812 - 815 - 820 - 831 - 881TAB - 8811TAB - 879TAB - 880TAB

Chain width 82,5 mm (K325) / Pitch 85 mm

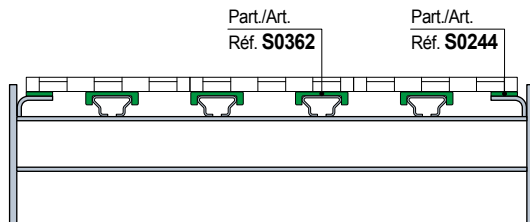


Chain width 82,5 mm (K325) / Pitch 83,5 mm

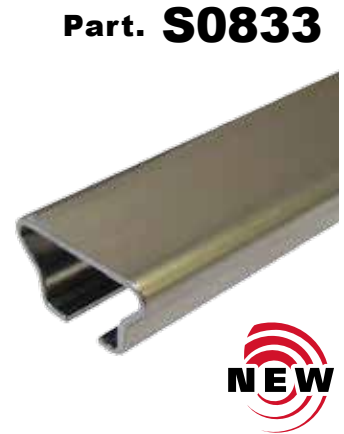
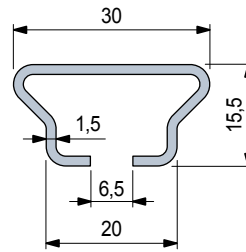


- **MatTop® modular chains**

Parallel wear strips. Recommended with medium light loads.



## Chain - guide profile



Metal profile material	Length metres	Code	Weight kg/m
Ferritic	3	636303	0,90
stainless steel	6	636313	

- Use: recommended with MatTop® chains in abrasive environment/high speed/high temperature.

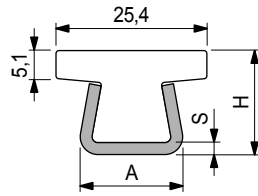
- Best Seller
- Standard
- On request: minimum quantity may apply. Consult our Customer Service for availability.

Item code for order = Part. + Code

## Part. S0768



### Chain - guide profile



S	H	A
mm	mm	mm
1,5	17	16
2	17,5	17

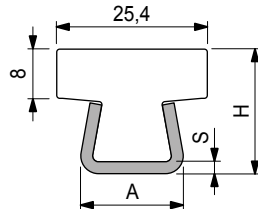
Thickness S mm	Metal profile material	Length metres	Code	Weight kg/m
1,5	Austenitic stainless steel	3	609083N	0,63
		6	609093N	
2	Austenitic stainless steel	3	609113N	0,74
		6	609123N	

- Colour: white.
- Min. curvature radius: 160 mm.
- Linear expansion coefficient:  $4 \times 10^{-5} \text{ } ^\circ\text{C}^{-1}$ .
- Calculation of thermal expansion see Technical information.
- Packaging: 24 metres.

## Part. S0767



### Chain - guide profile



S	H	A
mm	mm	mm
1,5	20,5	16
2	21	17

Thickness S mm	Metal profile material	Length metres	Code	Weight kg/m
1,5	Austenitic stainless steel	3	609033N	0,72
		6	609043N	
2	Austenitic stainless steel	3	609063N	0,82
		6	609073N	

- Colour: white.
- Min. curvature radius: 160 mm.
- Linear expansion coefficient:  $4 \times 10^{-5} \text{ } ^\circ\text{C}^{-1}$ .
- Calculation of thermal expansion see Technical information.
- Packaging: 24 metres.

● Best Seller

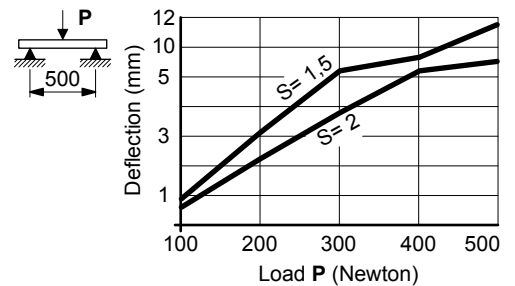
● Standard

● On request: minimum quantity may apply. Consult our Customer Service for availability.

Item code for order = Part. + Code

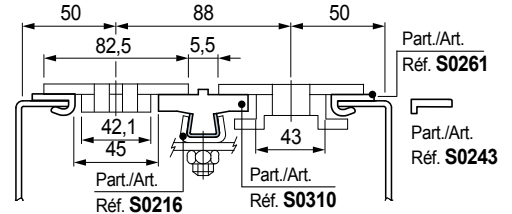
- **Material:** Polyethylene UHMWPE with molecular density 5.600.000 g/mol.  
Characteristics: new material Polyethylene ULF™ brown red (UHMWPE): reduced friction coefficient, higher wear resistance.
- **Operating temperature White:**  
In air (- 40 to + 80 °C).  
In hot water (+ 70 °C).
- **Operating temperature ULF™ brown red:**  
In air (- 40 to + 45 °C).  
In hot water (+ 45 °C).
- **Polyethylene ULF™ is FDA approved**  
Polyethylene ULF™ complies with the Code of Federal Regulations Title 21, § 177.1520 "Olefin Polymers" of the Food and Drug Administration (FDA) of April 1, 2008.
- **Coefficient of friction between chain POM and wearstrip ULF™:** 0,08.  
Note: for calculation of chain pull refer to Technical Support.
- **Position of guides.** See Technical information.

### Deflection of Part. S0223 - S0310 - S0356



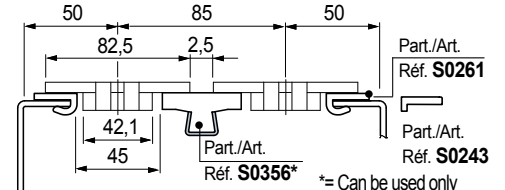
### TableTop® chains series 812 - 815 - 820 - 831 - 881TAB - 8811TAB - 879TAB - 880TAB

Chain width 82,5 mm (K 325) / Pitch 88 mm



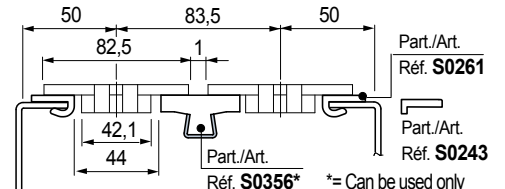
\*= Fixing clamp can be used only with chains 812-815-820-831

Chain width 82,5 mm (K 325) / Pitch 85 mm



\*= Can be used only with chains 812-815-820-831

Chain width 82,5 mm (K 325) / Pitch 83,5 mm



\*= Can be used only with chains 812-815-820-831

• **Material:** Polyethylene UHMWPE with molecular density 5.600.000 g/mol.

Characteristics: new material Polyethylene ULF™ brown red (UHMWPE): reduced friction coefficient, higher wear resistance.

• **Operating temperature White:**

In air (- 40 to + 80 °C).

In hot water (+ 70 °C).

• **Operating temperature ULF™ brown red:**

In air (- 40 to + 45 °C).

In hot water (+ 45 °C).

• **Polyethylene ULF™ is FDA approved**

Polyethylene ULF™ complies with the Code of Federal Regulations Title 21, § 177.1520 "Olefin Polymers" of the Food and Drug Administration (FDA) of April 1, 2008.

• **Coefficient of friction between chain POM and wearstrip ULF™:** 0,08.

Note: for calculation of chain pull refer to Technical Support.

• **Position of guides.** See Technical information.

• **Head joint**

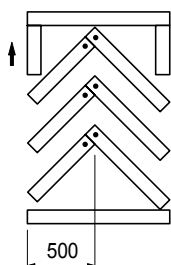
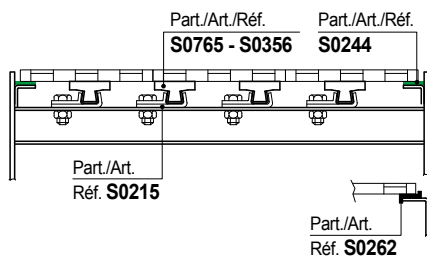
Head joint shall be made with a 45° cut to avoid steps and guarantee chain smooth movement.

With temperature increase it is necessary to leave a gap wide enough to allow for thermal elongation of plastic parts.

• **MatTop® modular chain**

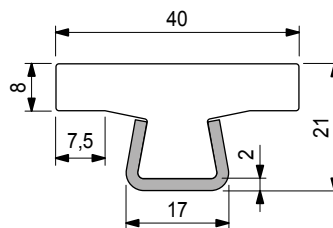
Parallel wear strip.

Recommended with medium-light loads.



**CHEVRON pattern.**  
Recommended with high loads (accumulation tables)  
Chain wear is evenly distributed throughout the width.

## Chain - guide profile



Colour	Length metres	Code	Weight kg/m
White	3	61605	0,89
	6	61615	

- Material: metal profile austenitic stainless steel.

- Linear expansion coefficient:  $4 \times 10^{-5} \text{ } ^\circ\text{C}^{-1}$ .

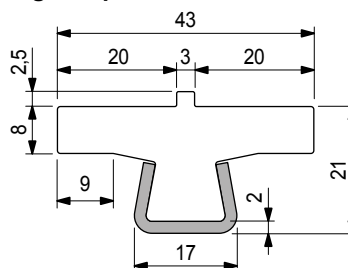
- Calculation of thermal expansion see Technical information.

- Packaging: 24 metres.

## Part. S0356



## Chain - guide profile



Colour	Length metres	Code	Weight kg/m
White	3	65612	0,95
	6	69412	

- Material: metal profile austenitic stainless steel.

- Linear expansion coefficient:  $4 \times 10^{-5} \text{ } ^\circ\text{C}^{-1}$ .

- Calculation of thermal expansion see Technical information.

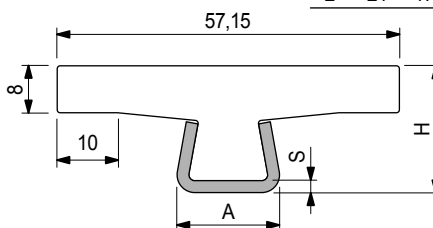
- Packaging: 24 metres.

## Part. S0310



## Chain - guide profile

S	H	A
mm	mm	mm
1,5	20,5	16
2	21	17



Thickness S mm	Metal profile material	Length metres	Code	Weight kg/m
1,5	Austenitic stainless steel	3	608943N	0,95
	Zinc plated steel	3	608963N	
	Austenitic stainless steel	6	608953N	
2	Austenitic stainless steel	3	608973N	1,06
	Austenitic stainless steel	6	608983N	

- Colour: white.

- Min. curvature radius: 200 mm.

- Linear expansion coefficient:  $4 \times 10^{-5} \text{ } ^\circ\text{C}^{-1}$ .

- Calculation of thermal expansion see Technical information.

- Packaging: 24 metres.

## Part. S0765



● Best Seller

● Standard

● On request: minimum quantity may apply. Consult our Customer Service for availability.

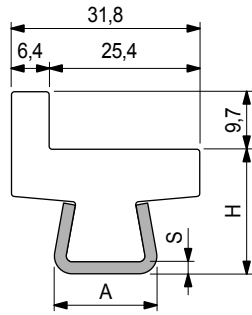
Item code for order = Part. + Code



## Part. S0766



### Chain - guide profile



S mm	H mm	A mm
1,5	20,5	16
2	21	17

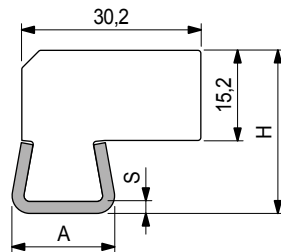
Thickness S mm	Metal profile material	Length metres	Code	Weight kg/m
1,5	Austenitic stainless steel	3	608993N	0,82
		6	609003N	
2	Austenitic stainless steel	3	609013N	0,93
		6	609023N	

- Colour: white.
- Linear expansion coefficient:  $4 \times 10^{-5} \text{ } ^\circ\text{C}^{-1}$ .
- Calculation of thermal expansion see Technical information.
- Packaging: 24 metres.

## Part. S0764



### Chain - guide profile



S mm	H mm	A mm
1,5	25,7	16
2	26,2	17

Thickness S mm	Metal profile material	Length metres	Code	Weight kg/m
1,5	Austenitic stainless steel	3	608903N	0,93
		6	608913N	
2	Austenitic stainless steel	3	608923N	1,03
		6	608933N	

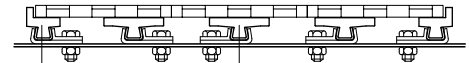
- Colour: white.
- Linear expansion coefficient:  $4 \times 10^{-5} \text{ } ^\circ\text{C}^{-1}$ .
- Calculation of thermal expansion see Technical information.
- Packaging: 24 metres.

- **Material:** Polyethylene UHMWPE with molecular density 5.600.000 g/mol.  
Characteristics: new material Polyethylene ULF™ brown red (UHMWPE): reduced friction coefficient, higher wear resistance.
- **Operating temperature White:**  
In air (- 40 to + 80 °C).  
In hot water (+ 70 °C).
- **Operating temperature ULF™ brown red:**  
In air (- 40 to + 45 °C).  
In hot water (+ 45 °C).
- **Polyethylene ULF™ is FDA approved**  
Polyethylene ULF™ complies with the Code of Federal Regulations Title 21, § 177.1520 "Olefin Polymers" of the Food and Drug Administration (FDA) of April 1, 2008.
- **Coefficient of friction between chain POM and wearstrip ULF™:** 0,08.  
Note: for calculation of chain pull refer to Technical Support.
- **Position of guides.** See Technical information.

- **Head joint**  
Head joint shall be made with a 45° cut to avoid steps and guarantee chain smooth movement. With temperature increase it is necessary to leave a gap wide enough to allow for thermal elongation of plastic parts.

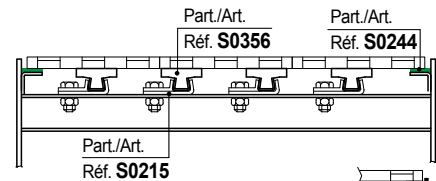
### MatTop® modular chain

Parallel wear strip.  
Recommended with medium-light loads.



Part./Art./Réf.  
**S0766**

Part./Art./Réf.  
**S0765**

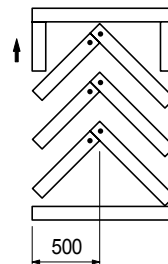


Part./Art.  
Réf. **S0215**

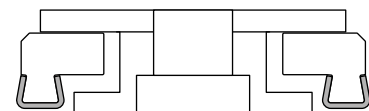
Part./Art.  
Réf. **S0356**

Part./Art.  
Réf. **S0244**

Part./Art.  
Réf. **S0262**



**CHEVRON pattern.**  
Recommended with high loads (accumulation tables)  
Chain wear is evenly distributed throughout the width.



● Best Seller

● Standard

● On request: minimum quantity may apply. Consult our Customer Service for availability.

Item code for order = Part. + Code

• **Material:** Polyethylene UHMWPE with molecular density 5.600.000 g/mol.

Characteristics: new material Polyethylene ULF™ brown red (UHMWPE): reduced friction coefficient, higher wear resistance.

• **Operating temperature White:**

In air (- 40 to + 80 °C).

In hot water (+ 70 °C).

• **Operating temperature ULF™ brown red:**

In air (- 40 to + 45 °C).

In hot water (+ 45 °C).

• **Polyethylene ULF™ is FDA approved**

Polyethylene ULF™ complies with the Code of Federal Regulations Title 21, § 177.1520 "Olefin Polymers" of the Food and Drug Administration (FDA) of April 1, 2008.

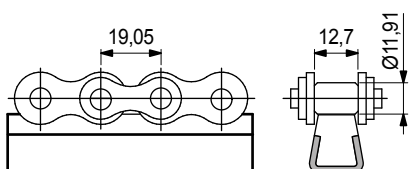
• **Coefficient of friction between chain POM and wearstrip ULF™:** 0,08.

Note: for calculation of chain pull refer to Technical Support.

• **Position of guides.** See Technical information.

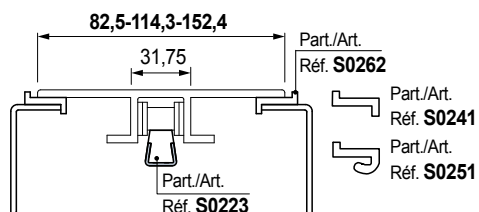
• **Use of Part. S0223**

ANSI 60 American series roller chain (pitch 19,05 mm, roller Dia. 11,91 mm, internal width 12,7 mm).

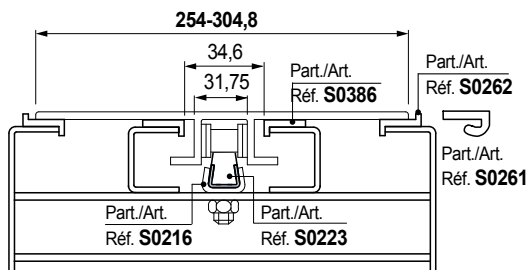


• **PlateTop chain series 1874 - 4874 - 1873**

Chain width 82,5 mm (K325), 114,3 mm (K450), 152,4 mm (K600)

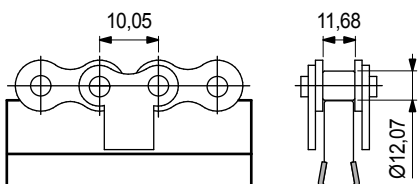


Chain width 254 mm (K1000), 304,8 mm (K1200)

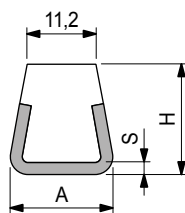


• **Use of Part. S0274**

ISO 12 B1 European series roller chains with straight connections (pitch 10,05 mm, roller Dia. 12,07 mm, internal width 11,68 mm).



## Chain - guide profile



S	H	A
mm	mm	mm
1,5	17,5	16
2	18	17

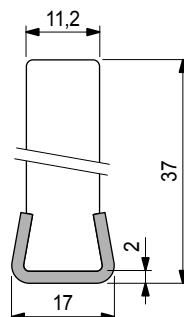
Thickness S	Metal profile material	Length metres	Code	Weight kg/m
mm				
1,5	Austenitic stainless steel	3	<b>61031</b>	0,54
		6	<b>69402</b>	
2	Austenitic stainless steel	3	<b>61743</b>	
		6	<b>67123</b>	
Zinc plated steel		3	<b>63971</b>	

- Colour: white.
- Linear expansion coefficient:  $4 \times 10^{-5} \text{ } ^\circ\text{C}^{-1}$ .
- Calculation of thermal expansion see Technical information.
- Packaging: 24 metres (in 3 m length).  
48 metres (in 6 m length).

## Part. S0223



## Chain - guide profile



Colour	Length metres	Code	Weight kg/m
White	3	<b>66801</b>	0,79

- Material: metal profile austenitic stainless steel.
- Linear expansion coefficient:  $4 \times 10^{-5} \text{ } ^\circ\text{C}^{-1}$ .
- Calculation of thermal expansion see Technical information.
- Packaging: 24 metres.

## Part. S0274



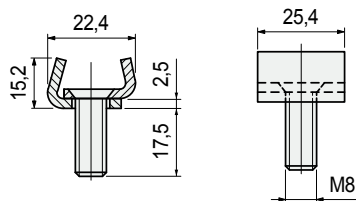
- Best Seller
- Standard
- On request: minimum quantity may apply. Consult our Customer Service for availability.

Item code for order = Part. + Code

## Part. S0903



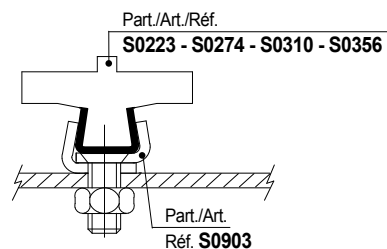
**ViseClamp™**



Use	Code
For guides with S = 2	<b>656001N</b>

- Material: austenitic stainless steel.
- Packaging: 50 pieces.

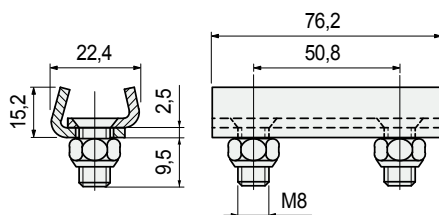
• Assembly of Part. S0903



## Part. S0902



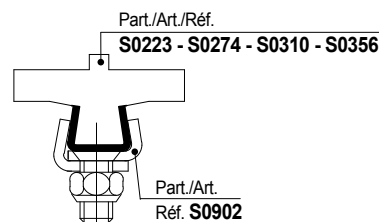
**ViseSplice™**



Use	Code
For guides with S = 2	<b>656041N</b>

- Material: austenitic stainless steel.
- Self-locking nut.
- Packaging: 50 pieces.

• Assembly of Part. S0902



● Best Seller

● Standard

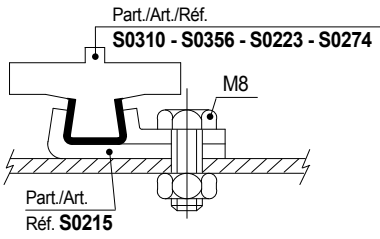
● On request: minimum quantity may apply. Consult our Customer Service for availability.

Item code for order = Part. + Code

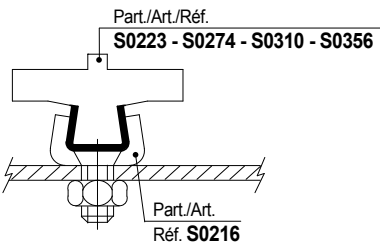
# Chain - Guide Profiles

for Part. S0223 - S0274 - S0310 - S0356

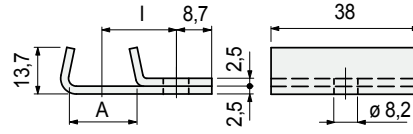
## • Assembly of Part. S0215



## • Assembly of Part. S0216



## ■ Clamp



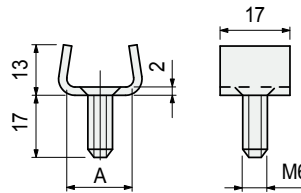
Use	A mm	I mm	Code
For guides with S = 1,5	16	20,5	60121N
For guides with S = 2	17	20	65976N

- Use: easy assembly of guide profiles Part. S0310 - S0356 - S0223 - S0274.
- Material: austenitic stainless steel.
- Packaging: 50 pieces.

## Part. S0215



## ■ Clamp



Use	Code
For Part. S0223 (with S = 1,5)	60131
For Part. S0223 (with S = 2)-S0274-S0310-S0356	64244

- Use: easy assembly of guide profiles Part. S0310 - S0356 - S0223 - S0274.
- Material: austenitic stainless steel.
- Packaging: 50 pieces.

## Part. S0216



● Best Seller

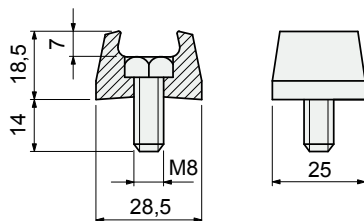
● Standard

● On request: minimum quantity may apply. Consult our Customer Service for availability.

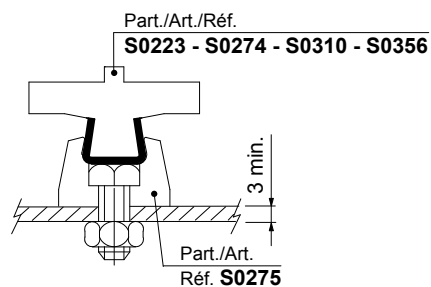
Item code for order = Part. + Code

## Part. S0275

■ Clamp



• Assembly of Part. S0275



Use

Code

For Part. S0223 (with S = 1,5 e 2)  
S0274 - S0310 - S0356

**66811**

- Use: easy assembly of guide profiles Part. S0310 - S0356 - S0223 - S0274.
- Material: body in acetal resin POM (black), bolt in austenitic stainless steel.
- Packaging: 100 pieces.

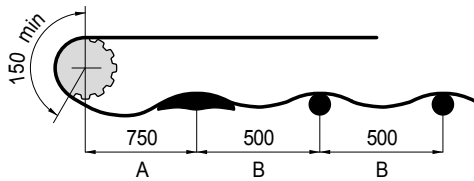
● Best Seller

● Standard

● On request: minimum quantity may apply. Consult our Customer Service for availability.

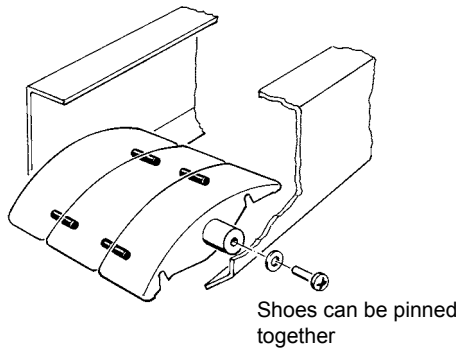
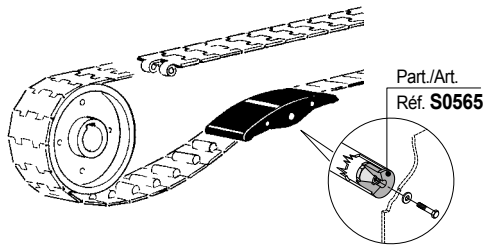
Item code for order = Part. + Code

### • Positioning



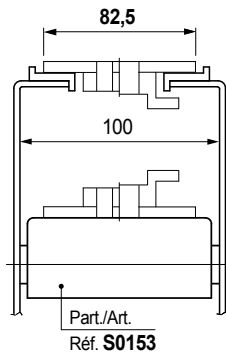
$$A = 1,5 \cdot B$$

### • Assembly

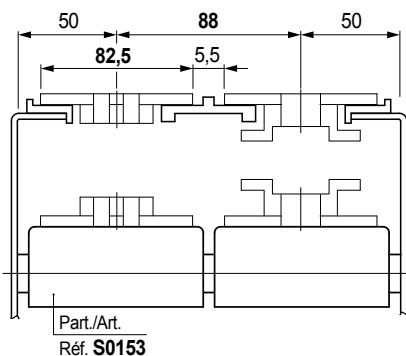


### • TableTop® chains / PlateTop chains

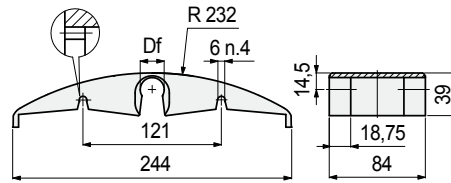
Chain width 82,5 mm (K 325)



Chain width 82,5mm (K 325) / Pitch 88mm



### ■ Wear shoe



Shaft dia. mm	Bore dia. Df mm	Materiale	Code
18	18,5	UNL™ (aubergine)	609423N1
		Polyethylene PE (green)	608692N1
		Polyamide PA (black)	684221N1
20	20,5	Polyethylene PE (green)	684231N1
		UNL™ (aubergine)	609433N1

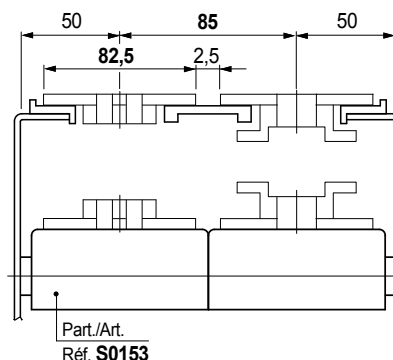
- New UNL™ low noise material is recommended only with LBP chains.
- PE polyethylene (green) version is recommended with plastic chains and metal chains.
- PA polyamide (black) version is recommended only with metal chains.
- The use of only one wear shoe after the catenary is recommended, with the exception of LBP chains that can run on more wear shoes.
- Packaging: 15 pieces.

## Part. S0153



Snap-on assembly

Chain width 82,5mm (K 325) / Pitch 85mm



- Best Seller
- Standard
- On request: minimum quantity may apply. Consult our Customer Service for availability.

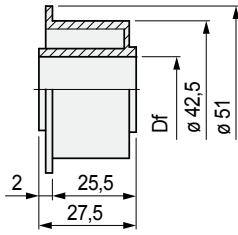
Item code for order = Part. + Code

## Part. S0073



Dia. 42,5 mm

### Roller



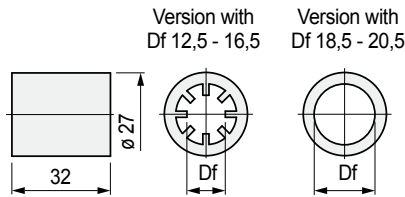
Shaft dia. mm	Bore dia. Df mm	Code
12	12,5	50660
16	16,5	62946
18	18,5	50670
20	20,5	50680

- Material: polyethylene PE (black).
- Packaging: 100 pieces.

## Part. S0126



### Separator



Shaft dia. mm	Bore dia. Df mm	Code
12	12,5	65396
16	16,5	65406
18	18,5	65416
20	20,5	62520

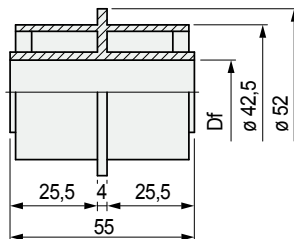
- Material: polyethylene PE (black).
- Packaging: 100 pieces.

## Part. S0125



Dia. 42,5 mm

### Double roller L55

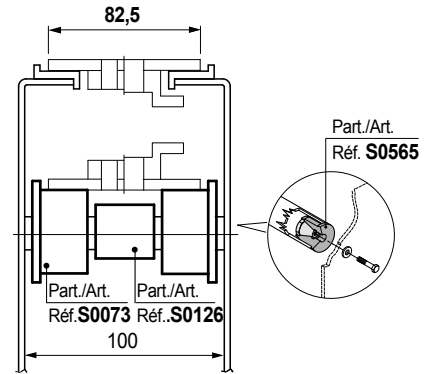


Shaft dia. mm	Bore dia. Df mm	Code
12	12,5	62956
16	16,5	62966
18	18,5	62976
20	20,5	62510

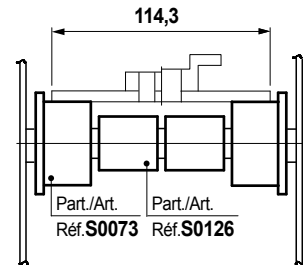
- Material: polyethylene PE (black).
- Packaging: 100 pieces.

### TableTop® chains/PlateTop chains

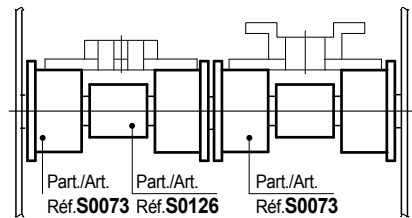
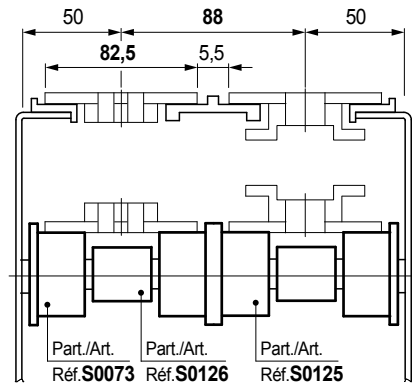
Chain width 82,5 mm (K 325)



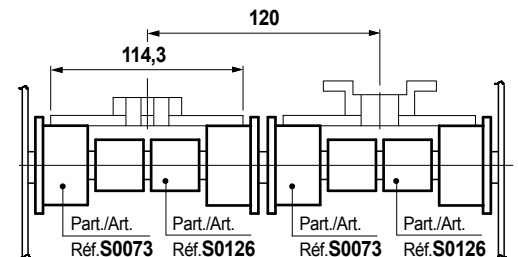
Chain width 114,3 mm (K 450)



Chain width 82,5 mm (K 325) / Pitch 88 mm



Chain width 114,3 mm (K 450) / Pitch 120 mm



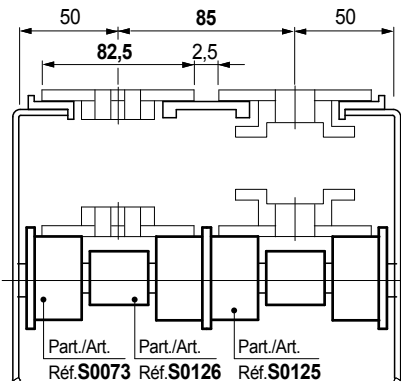
● Best Seller

● Standard

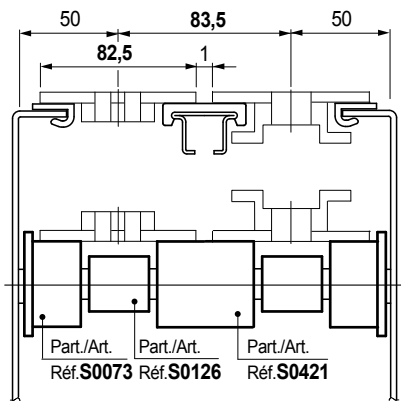
● On request: minimum quantity may apply. Consult our Customer Service for availability.

Item code for order = Part. + Code

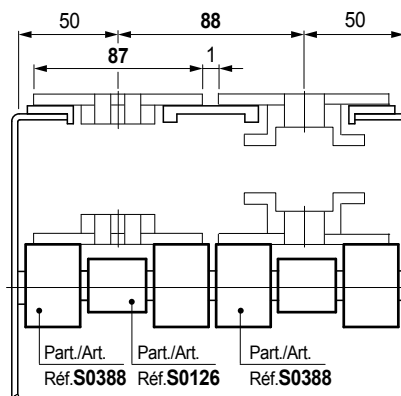
Chain width 82,5 mm (K 325) / Pitch 85 mm



Chain width 82,5 mm (K 325) / Pitch 83,5 mm

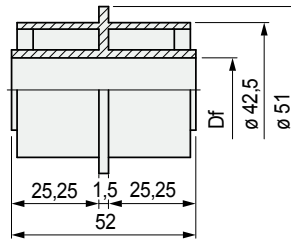


Chain width 87 mm (K 343) / Pitch 88 mm



Multi strand conveyors, with 82,5mm width chains and pitch 88mm, can be modified to convey PET bottles with pethal bottom or other unstable products. Change chains from 82,5mm to 87mm width and wear strips, in this way the Gap between chains is reduced from 5,5mm to 1mm while the conveyor frame is unchanged.

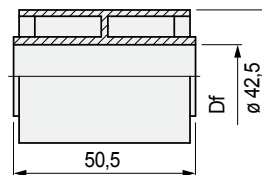
## Double roller L52



Shaft dia. mm	Bore dia. Df mm	Code
12	12,5	63898
16	16,5	63908
18	18,5	63918
20	20,5	68873

- Material: polyethylene PE (black).
- Packaging: 100 pieces.

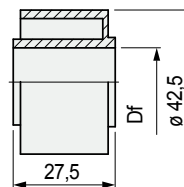
## Roller



Shaft dia. mm	Bore dia. Df mm	Code
12	12,5	63858
16	16,5	63868
18	18,5	63878
20	20,5	63888

- Material: polyethylene PE (black).
- Packaging: 100 pieces.

## Roller



Shaft dia. mm	Bore dia. Df mm	Code
12	12,5	66116
16	16,5	66126
18	18,5	66136
20	20,5	66146

- Material: polyethylene PE (black).
- Packaging: 100 pieces.

## Part. S0125



Dia. 42,5 mm

## Part. S0421



Dia. 42,5 mm

## Part. S0388



Dia. 42,5 mm

● Best Seller

● Standard

● On request: minimum quantity may apply. Consult our Customer Service for availability.

Item code for order = Part. + Code

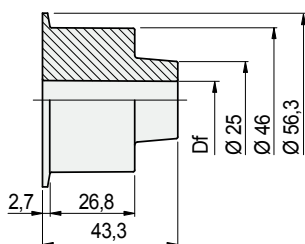


## Part. S0727



Dia. 46 mm

■ Roller



Shaft dia. mm	Bore dia. Df mm	Code
12	12,2	688902

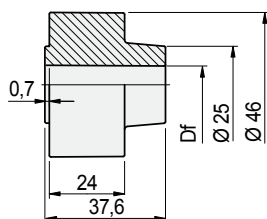
- Material: polyethylene PE (white).
- Packaging: 100 pieces.

## Part. S0728



Dia. 46 mm

■ Roller



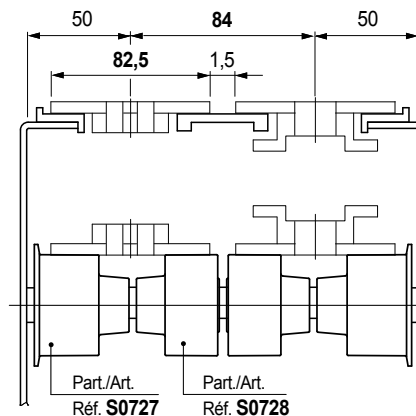
Shaft dia. mm	Bore dia. Df mm	Code
12	12,2	688912

- Material: polyethylene PE (white).
- Packaging: 100 pieces.

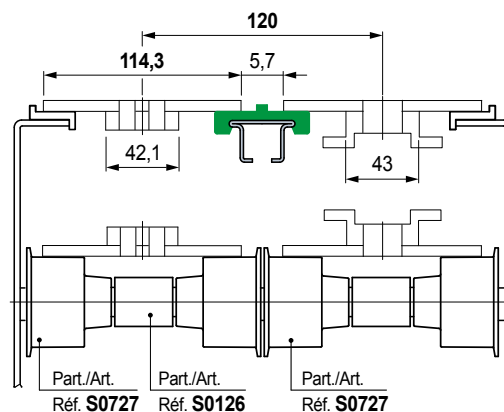
• Characteristics

- Completely closed design for the maximum hygiene.
- Material polyethylene PE (white) ideal for applications in the food industry.

Chain width 82,5 mm (K325) / Pitch 84 mm



Chain width 114,3 mm (K450) / Pitch 120 mm



● Best Seller

● Standard

● On request: minimum quantity may apply. Consult our Customer Service for availability.

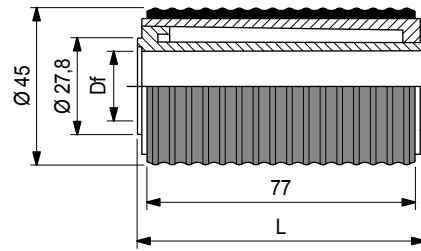
Item code for order = Part. + Code

## Part. S0826



Dia. 45 mm

### Double roller (with rubber surface)



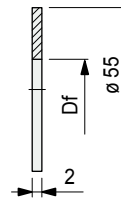
Shaft dia. mm	Bore dia. Df mm	Code	
		L = 82	L = 84,5
16	16,5	632063	632083
18	18,5	636643	636653
20	20,5	632073	632093

- Characteristics: completely closed design. Rubber surface for less noise even in high speed conveyors. Hub in acetal for low friction.
- Material: roller in polyethylene PE (white). Surface in thermoplastic rubber (grey). 70 shore hardness.
- Packaging: 100 pieces.

## Part. S0827



### Guide flange



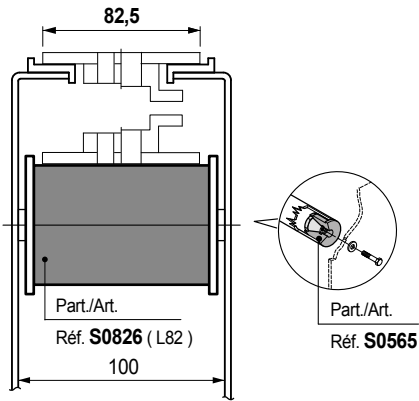
Shaft dia. mm	inch	Bore dia. Df mm	Code
			16
20	3/4	20,2	632113

- Material: polyethylene PE (black).
- Packaging: 100 pieces.

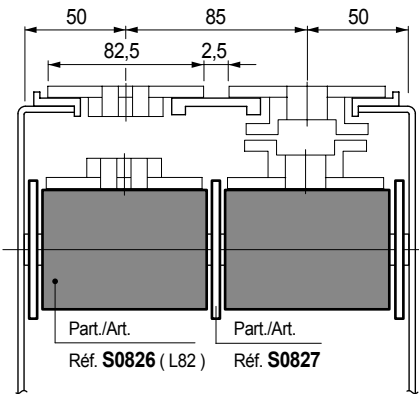
- Best Seller
- Standard
- On request: minimum quantity may apply. Consult our Customer Service for availability.

Item code for order = Part. + Code

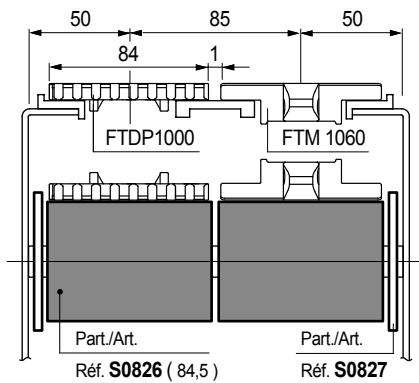
Chain width 82,5 mm (K325)



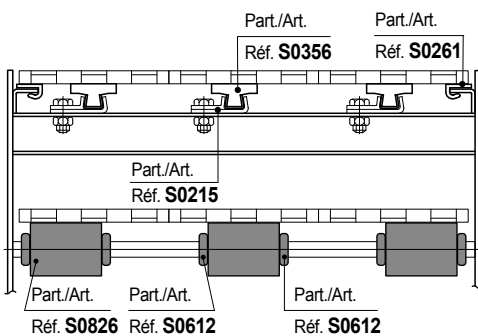
Chain width 82,5 mm (K325) / Pitch 85 mm



Chain width 84 mm pitch 85 mm



### MatTop® modular chains

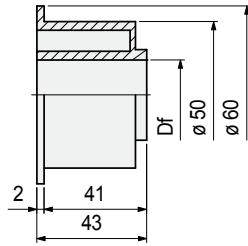


## Part. S0561



Dia. 50 mm

Roller



Shaft dia. mm	Bore dia. Df mm	Code
15	15,5	697561

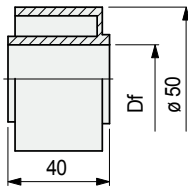
- Material: polyethylene PE (black).
- Packaging: 100 pieces.

## Part. S0560



Dia. 50 mm

Roller

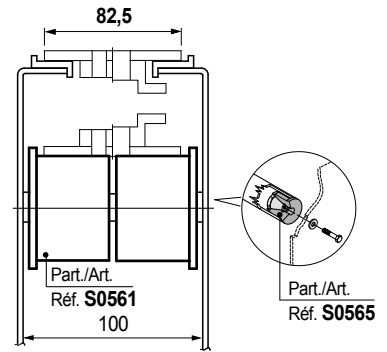


Shaft dia. mm	Bore dia. Df mm	Code
15	15,5	697551

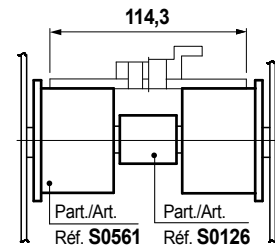
- Material: polyethylene PE (black).
- Packaging: 100 pieces.

TableTop® chains / PlateTop chains

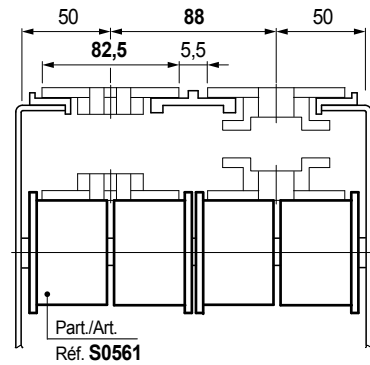
Chain width 82,5 mm (K 325)



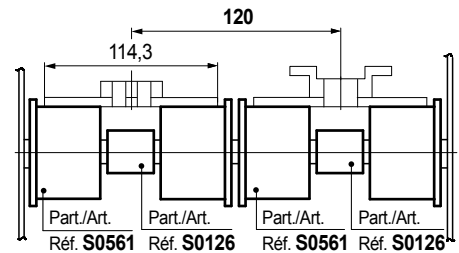
Chain width 114,3 mm (K 450)



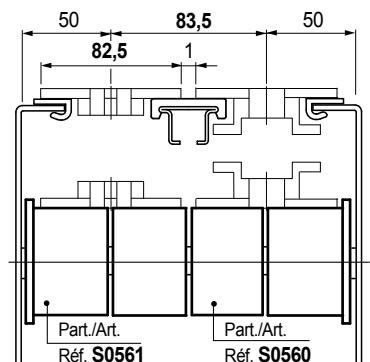
Chain width 82,5 mm (K 325) / Pitch 88 mm



Chain width 114,3 mm (K450) / Pitch 120 mm



Chain width 82,5 mm (K 325) / Pitch 83,5 mm



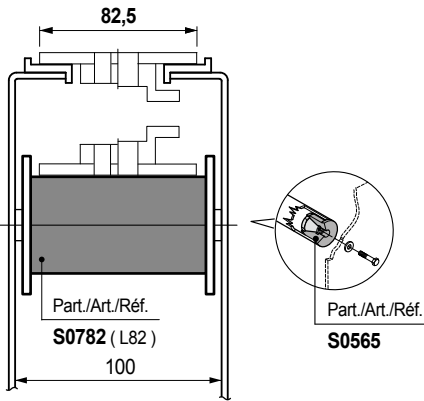
Best Seller

Standard

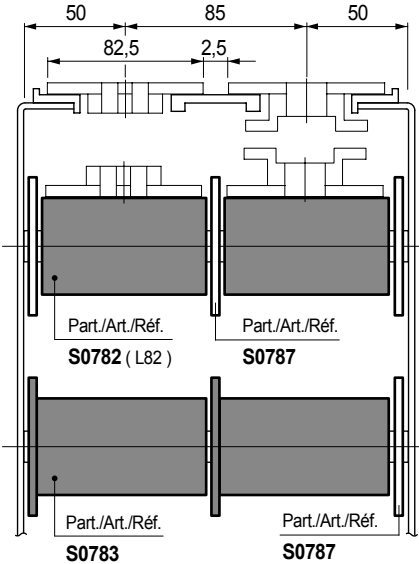
On request: minimum quantity may apply. Consult our Customer Service for availability.

Item code for order = Part. + Code

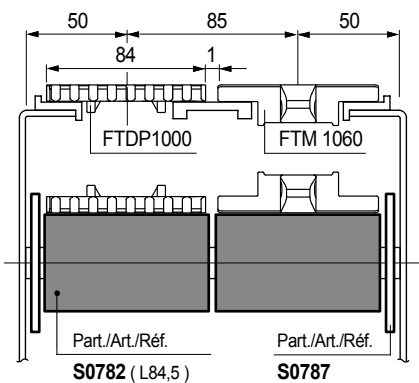
Chain width 82,5 mm (K325)



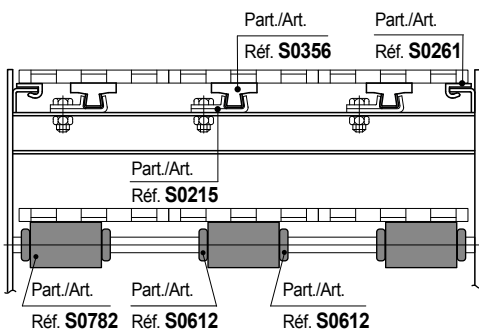
Chain width 82,5 mm (K325) / Pitch 85 mm



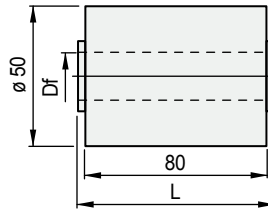
Chain width 84 mm pitch 85 mm



## MatTop® modular chains



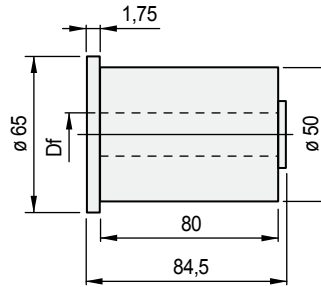
## Double roller



	shaft dia.		Bore dia. Df mm	Code	
	mm	inch		L = 82	L = 84,5
<b>Version UNL™</b>					
<b>18</b>	-	18,5	<b>613953</b>	<b>613983</b>	
<b>20</b>	<b>3/4</b>	20,5	<b>613963</b>	<b>613993</b>	
<b>Version PE (Black)</b>					
<b>18</b>	-	18,5	<b>620603</b>	<b>620623</b>	
<b>20</b>	<b>3/4</b>	20,5	<b>620613</b>	<b>620633</b>	

- Characteristics: completely closed design.
- Version in UNL™ low noise material.
- Colour: UNL™ (aubergine), polyethylene PE (black).
- Packaging: 100 pieces.

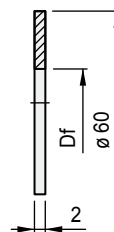
## Double roller with flange



Material	shaft dia.		Bore dia. Df mm	Code
	mm	inch		
UNL™	<b>18</b>	-	18,5	<b>614013</b>
	<b>20</b>	<b>3/4</b>	20,5	<b>614023</b>
Polyethylene PE	<b>18</b>	-	18,5	<b>620643</b>
	<b>20</b>	<b>3/4</b>	20,5	<b>620653</b>

- Characteristics: completely closed design.
- Version in UNL™ low noise material.
- Colour: UNL™ (aubergine), polyethylene PE (black).
- Packaging: 100 pieces.

## Guide flange



Material	shaft dia.		Bore dia. Df mm	Code
	mm	inch		
Polyethylene	<b>18</b>	-	18,2	<b>614713</b>
PE (aubergine)	<b>20</b>	<b>3/4</b>	20,2	<b>614723</b>
Polyethylene	<b>18</b>	-	18,2	<b>620663</b>
PE (black)	<b>20</b>	<b>3/4</b>	20,2	<b>620673</b>

- Assembly: to be applied to roller Part. S0782.
- Packaging: 100 pieces.

## Part. S0782



Dia. 50 mm

## Part. S0783



Dia. 50 mm

## Part. S0787



For Part. S0782

● Best Seller

● Standard

● On request: minimum quantity may apply. Consult our Customer Service for availability.

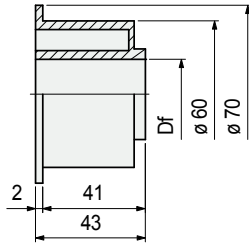
Item code for order = Part. + Code

## Part. S0556



Dia. 60 mm

Roller



Shaft dia. mm	Bore dia. Df mm	Code
15	15,5	695221
16	16,5	695231
18	18,5	695241
20	20,5	695251

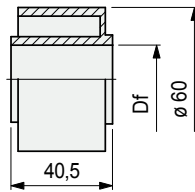
- Material: polyethylene PE (black).
- Packaging: 100 pieces.

## Part. S0554



Dia. 60 mm

Roller



Shaft dia. mm	Bore dia. Df mm	Code
15	15,5	695141
16	16,5	695151
18	18,5	695161
20	20,5	695171

- Material: polyethylene PE (black).
- Packaging: 100 pieces.

Best Seller

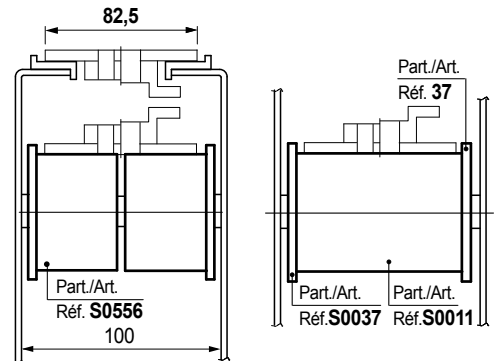
Standard

On request: minimum quantity may apply. Consult our Customer Service for availability.

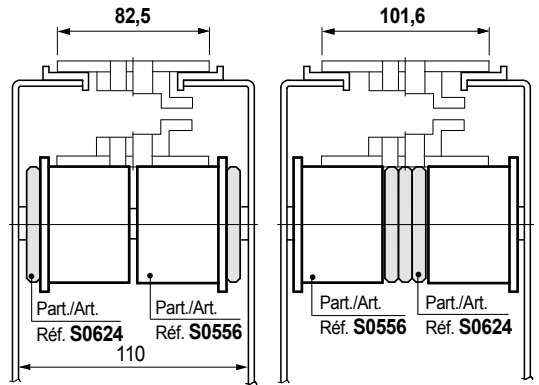
Item code for order = Part. + Code

### TableTop® chains / PlateTop chains

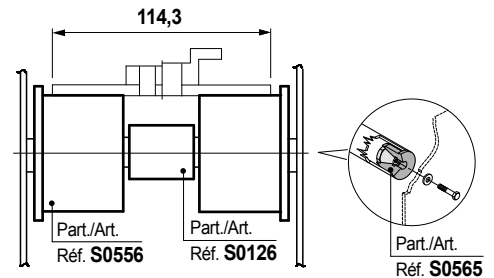
Chain width 82,5 mm (K 325)



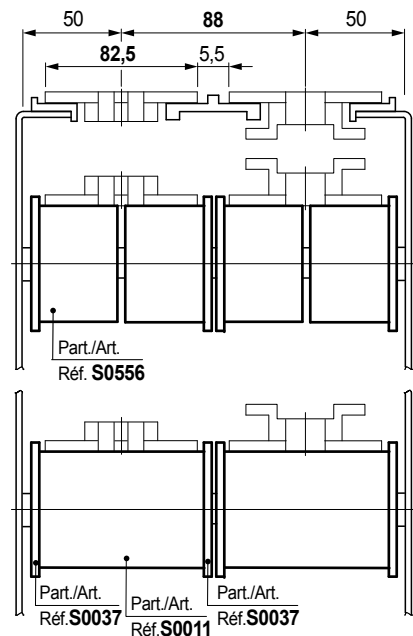
Chain width 82,5 mm (K325) - 101,6 mm (K400)



Chain width 114,3 mm (K 450)

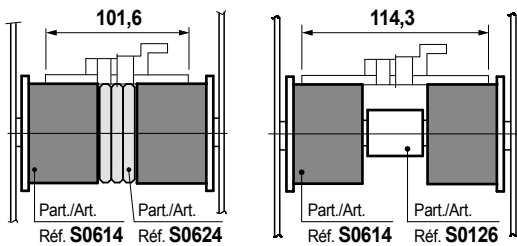
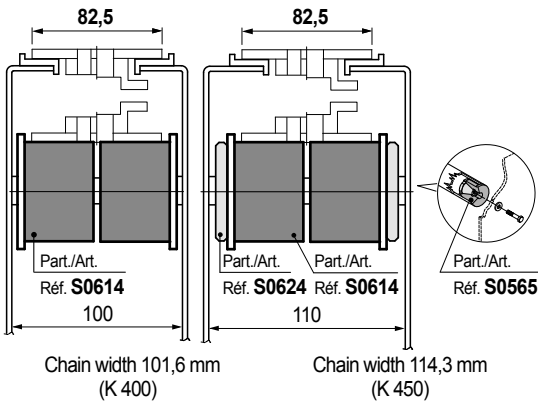


Chain width 82,5 mm (K 325) / Pitch 88 mm

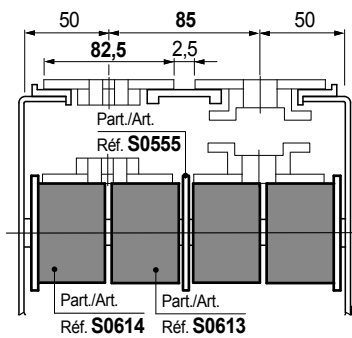


## • TableTop® chains / PlateTop chains

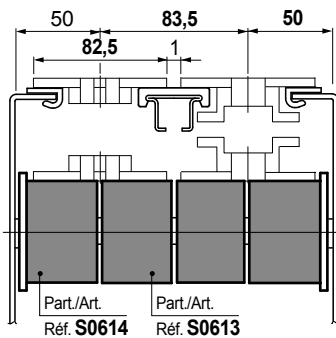
Chain width 82,5 mm (K 325)



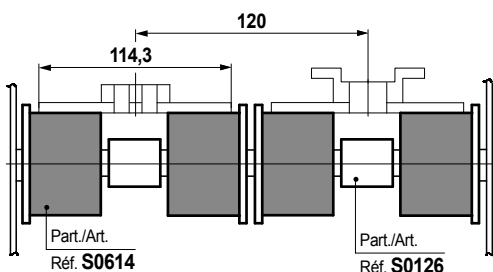
Chain width 82,5 mm (K 325) / Pitch 85 mm



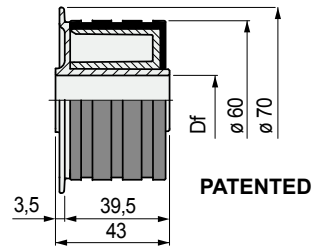
Chain width 82,5 mm (K 325) / Pitch 83,5 mm



Chain width 114,3 mm (K 450) / Pitch 120 mm



## ■ Roller (with rubber surface)



Shaft dia.		Bore dia.	Code
mm	inch	Df mm	
12,7	1/2	13,2	632482
15	-	15,5	615382
16	5/8	16,5	615392
18	-	18,5	615402
19,05	3/4	19,5	635152
20	-	20,5	615412

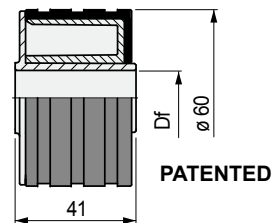
- Characteristics: completely closed design. Rubber surface for less noise even in high speed conveyors. Hub in acetal for low friction.
- Material: roller in acetal POM (white). Surface in thermoplastic rubber (grey). 70 shore hardness.
- Packaging: 100 pieces.

## Part. S0614



Dia. 60 mm

## ■ Roller (with rubber surface)



Shaft dia.		Bore dia.	Code
mm	inch	Df mm	
12,7	1/2	13,2	632472
15	-	15,5	615342
16	5/8	16,5	615352
18	-	18,5	615362
19,05	3/4	19,5	635142
20	-	20,5	615372

- Characteristics: completely closed design. Rubber surface for less noise even in high speed conveyors. Hub in acetal for low friction.
- Material: roller in acetal POM (white). Surface in thermoplastic rubber (grey). 70 shore hardness.
- Packaging: 100 pieces.

## Part. S0613



Dia. 60 mm

- Best Seller
- Standard
- On request: minimum quantity may apply. Consult our Customer Service for availability.

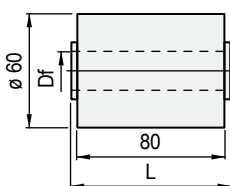
Item code for order = Part. + Code

## Part. S0758



Dia. 60 mm

### Double roller



	shaft dia.		Bore dia. Df mm	Code	
	mm	inch		L = 82	L = 84,5
<b>Version UNL™</b>					
15	-		15,5	608533	608553
18	-		18,5	608183	608563
19,05	3/4		19,5	612913	613563
20	-		20,5	608543	608573
<b>Version PE (Black)</b>					
14	-		14,5	634033	634053
15	-		15,5	620683	620723
16	-		16,5	634043	634063
18	-		18,5	620693	620733
19,05	3/4		19,5	620703	620743
20	-		20,5	620713	620343

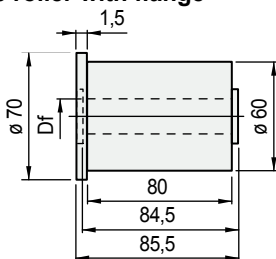
- Characteristics: completely closed design.
- Version in UNL™ low noise material.
- Colour: UNL™ (aubergine), polyethylene PE (black).
- Packaging: 100 pieces.

## Part. S0778



Dia. 60 mm

### Double roller with flange



Material	shaft dia.		Bore dia. Df mm	Code	
	mm	inch		S = 2	S = 1
UNL™	15	-	15,5	613483	-
	18	-	18,5	613473	-
	19,05	3/4	19,5	613573	-
	20	-	20,5	613463	-
Polyethylene PE	14	-	14,5	634433	-
	15	-	15,5	620753	-
	16	-	16,5	634443	-
	18	-	18,5	620763	-
	19,05	3/4	19,5	620773	-
	20	-	20,5	620373	-

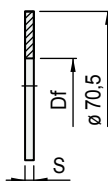
- Characteristics: completely closed design.
- Version in UNL™ low noise material.
- Colour: UNL™ (aubergine), polyethylene PE (black).
- Packaging: 100 pieces.

## Part. S0555

For Part. S0554  
Part. S0613  
Part. S0758



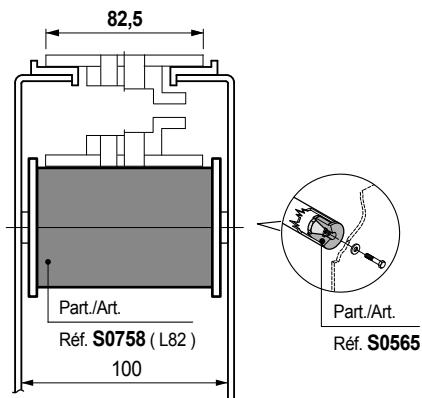
### Guide flange



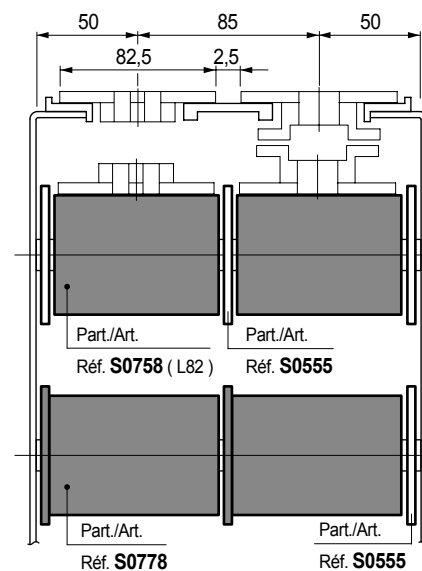
Shaft dia.	Bore dia. Df mm		Code	
	mm	inch	S = 2	S = 1
15	-	15,2	695181	-
16	-	16,2	695191	-
18	-	18,2	695201	630693
20	3/4	20,2	695211	630703

- Material: Polyethylene PE (black).
- Packaging: 100 pieces.

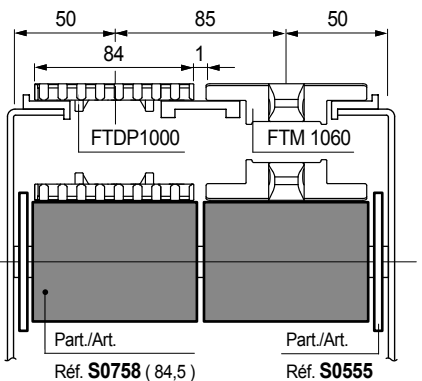
Chain width 82,5 mm (K 325)



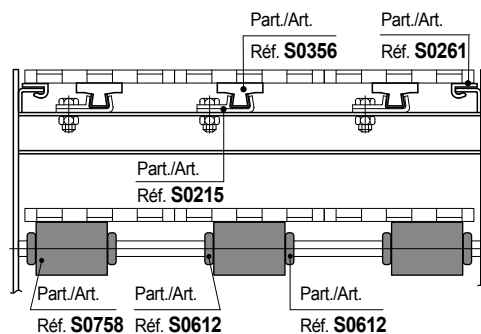
Chain width 82,5 mm (K 325) / Pitch 85 mm



Chain width 84 mm (K 325) / Pitch 85 mm



MatTop® modular chains



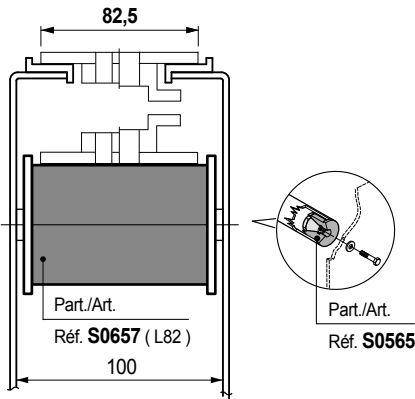
Item code for order = Part. + Code

Best Seller

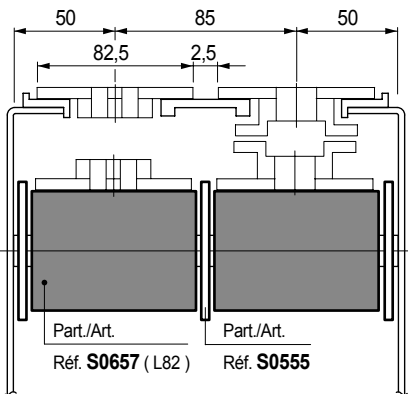
Standard

On request: minimum quantity may apply. Consult our Customer Service for availability.

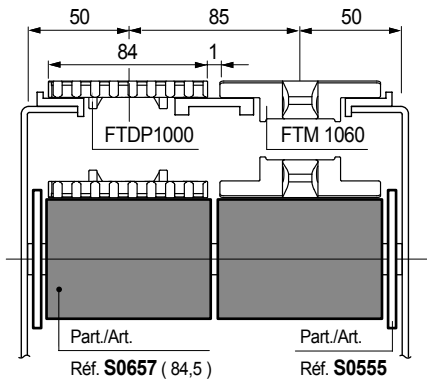
Chain width 82,5 mm (K 325)



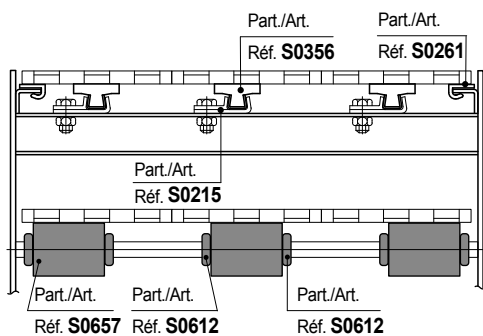
Chain width 82,5 mm (K 325) / Pitch 85 mm



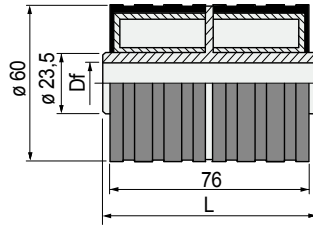
Chain width 84 mm (K 325) / Pitch 85 mm



MatTop® modular chains



## Double roller (with rubber surface)



PATENTED

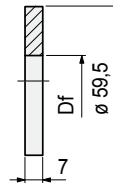


Dia. 60 mm

Shaft dia. mm	Bore dia. Df mm	Code	
		L = 82	L = 84,5
12,7	1/2	656982	-
15	-	656992	608253
16	5/8	657002	608263
18	-	657012	608273
19,05	3/4	656692	-
20	-	657022	608283

- Characteristics: completely closed design. Rubber surface for less noise even in high speed conveyors. Hub in acetal for low friction.
- Material: roller in acetal POM (white). Surface in thermoplastic rubber (grey). 70 shore hardness
- Packaging: 100 pieces.

## Separator



Shaft dia. mm	Bore dia. Df mm	Code
20	20,2	620783N

- Assembly: to be applied to rollers Part. S0556 - S0614.
- Material: Polyethylene PE (black).
- Packaging: 100 pieces.

## Part. S0624



- Best Seller
- Standard
- On request: minimum quantity may apply. Consult our Customer Service for availability.

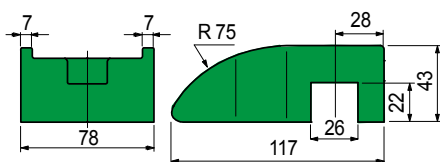
Item code for order = Part. + Code



## Part. S0729



### Chain return guide



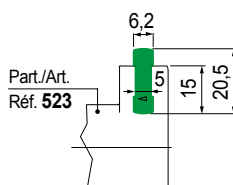
Material	Code	Weight kg
Polyamide PA (black)	689642	0,10
Polyethylene PE (green)	697662	

- New design offers less and more uniform wear of chains and better cleanability.
- PE polyethylene (green) version is recommended with plastic chains and metal chains.
- PA polyamide (black) version is recommended only with metal chains.
- Packaging: 50 pieces.

## Part. S0524



### Sliding profile

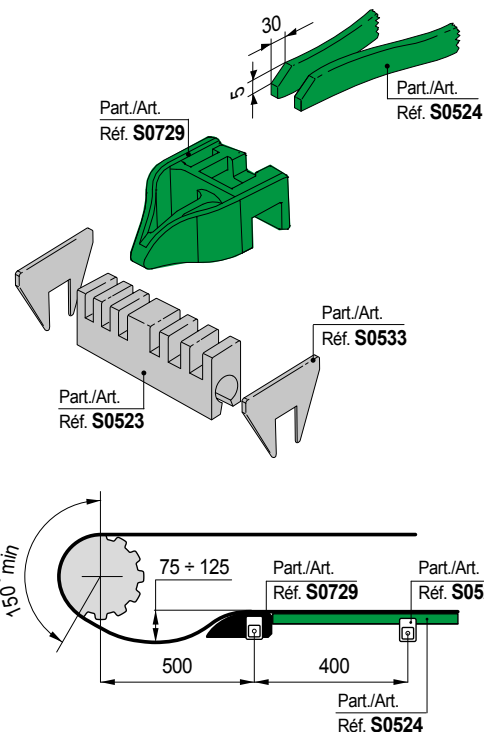


Material	Code
Polyethylene PE (green) 1.000.000	643501

- Assembly: Applicable to spacers Part. S0523. Snap-on assembly.
- Standard packaging: coil.
- Packaging: 70 metres.

### Assembly Part. S0729

Assembly: press-fit. Interference fixed.  
For assembly schemes see page S60 - S61.



● Best Seller

● Standard

● On request: minimum quantity may apply. Consult our Customer Service for availability.

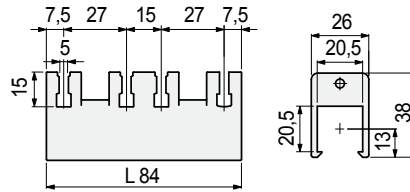
Item code for order = Part. + Code

## Part. S0523

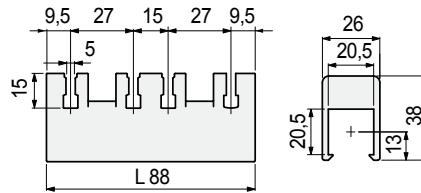


### ■ Spacer for square profiles

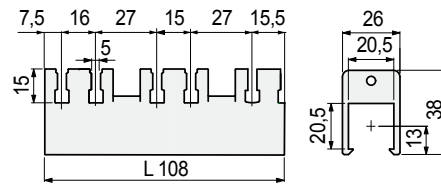
Version width L 84 mm



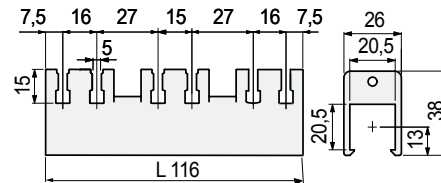
Version width L 88 mm



Version width L 108 mm

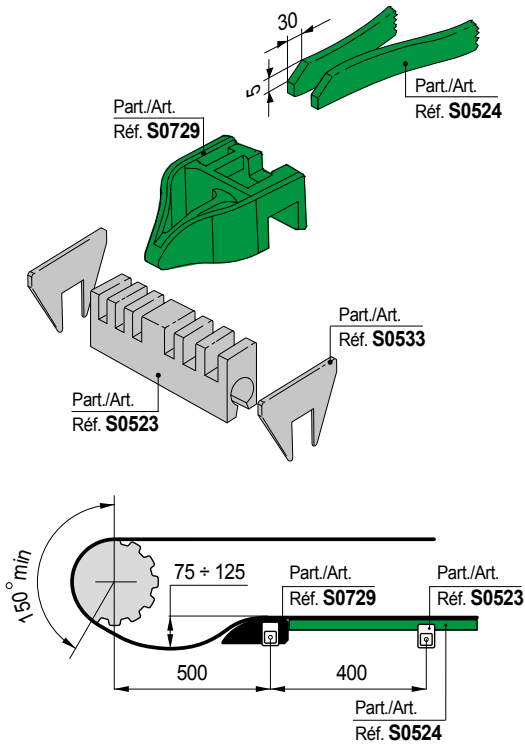


Version width L 116 mm

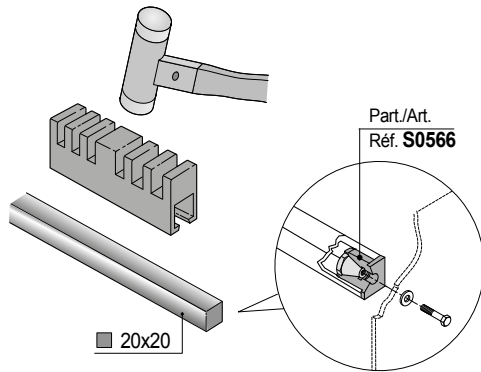


Quare shaft mm	Width L mm	Code	Weight Kg
20 x 20	L 84	<b>643451</b>	0,03
	L 88	698472	0,05
	L 108	698462	0,05
	L 116	<b>692122</b>	0,05

- Material: Polyamide PA (black).
- Packaging: 100 pieces.



- **Assembly Part. S0523**  
Snap-on assembly on square.  
For assembly schemes see page S60 - S61.



- Best Seller
- Standard
- On request: minimum quantity may apply. Consult our Customer Service for availability.

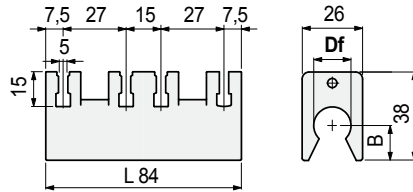
Item code for order = Part. + Code

## Part. S0523

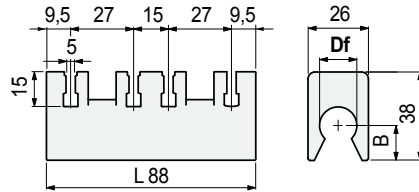


### ■ Spacer for round profile

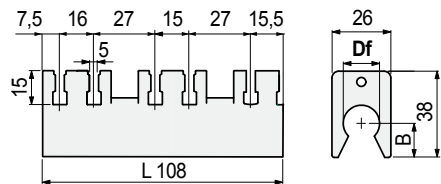
Version width **L 84 mm**



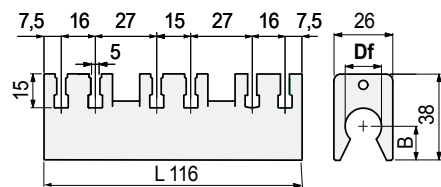
Version width **L 88 mm**



Version width **L 108 mm**

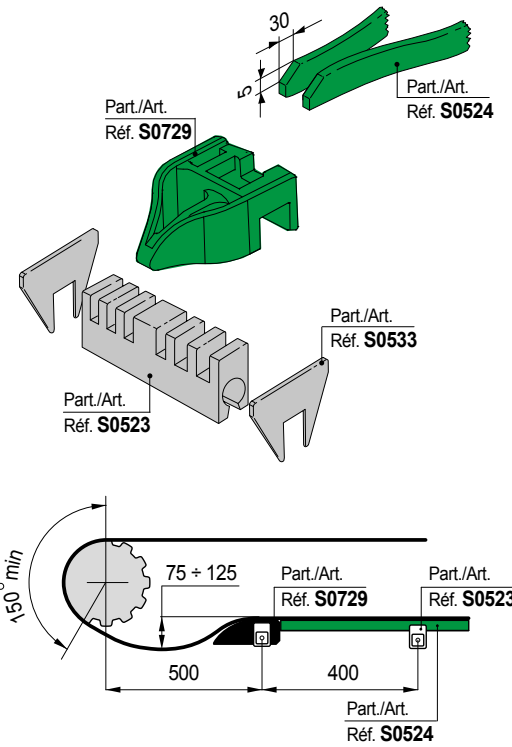


Version width **L 116 mm**

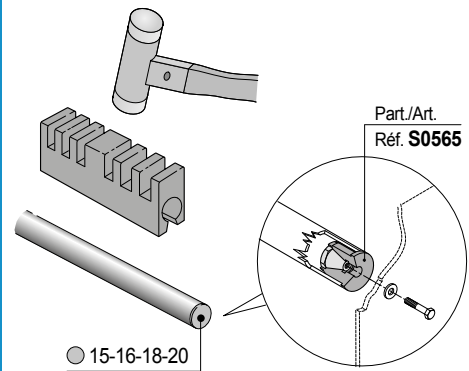


Width L mm	Bore dia. Df		Code	B mm	Weight Kg
	mm	inch			
L 84	15	-	643461	15,5	0,04
	16	-	643471	15	
	18	-	643481	14	
	20	-	643491	13	
	-	3/4"	692112	13	
L 88	20	-	698442	13	0,05
	-	3/4"	698452	13	
L 108	20	-	698422	13	0,05
	-	3/4"	698432	13	
L 116	15	-	614683	15,5	0,05
	20	-	692132	13	
	-	3/4"	692142	13	

- Material: Polyamide PA (black).
- Packaging: 100 pieces.



- **Assembly Part. S0523**  
Snap-on assembly on round steel profiles.  
For assembly schemes see page S60 - S61.



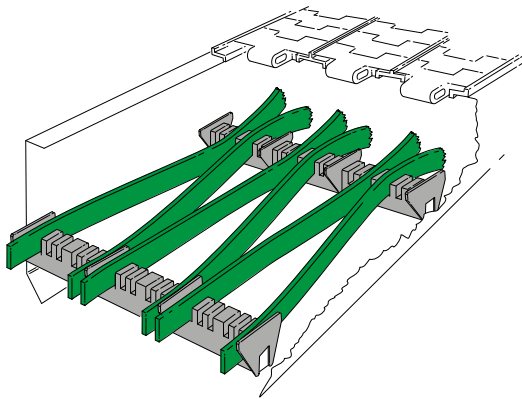
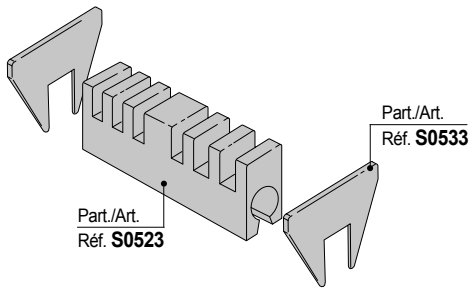
● Best Seller

● Standard

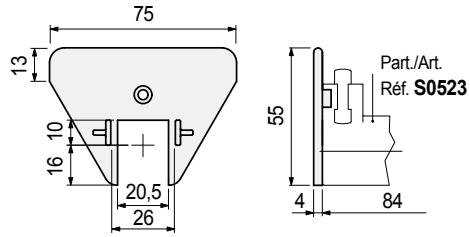
● On request: minimum quantity may apply. Consult our Customer Service for availability.

Item code for order = Part. + Code

for Part. S0523



## Striker



Code

Weight  
kg

672801

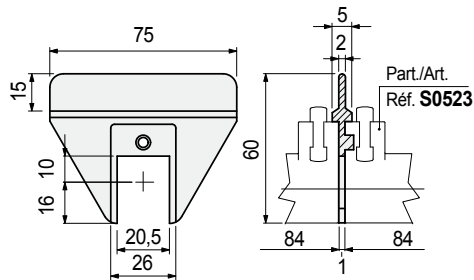
0,01

- Assembly: Applicable to spacers Part. S0523. Snap-on assembly.
- Material: polyamide PA (black).
- Packaging: 100 pieces.

## Part. S0533



## Striker (centre)



Code

Weight  
kg

672811

0,01

- Assembly: Applicable to spacers Part. S0523. Snap-on assembly.
- Material: polyamide PA (black).
- Packaging: 100 pieces.

## Part. S0533



Best Seller

Standard

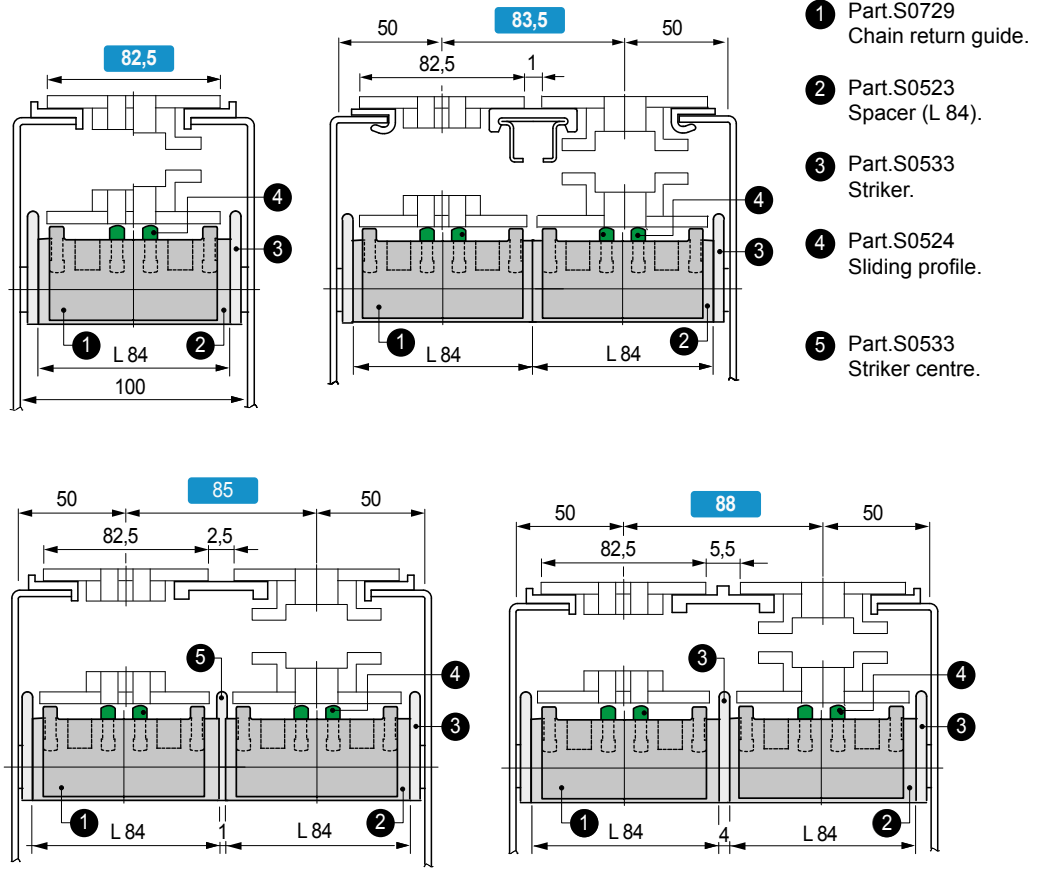
On request: minimum quantity may apply. Consult our Customer Service for availability.

Item code for order = Part. + Code

## Assembly schemes for

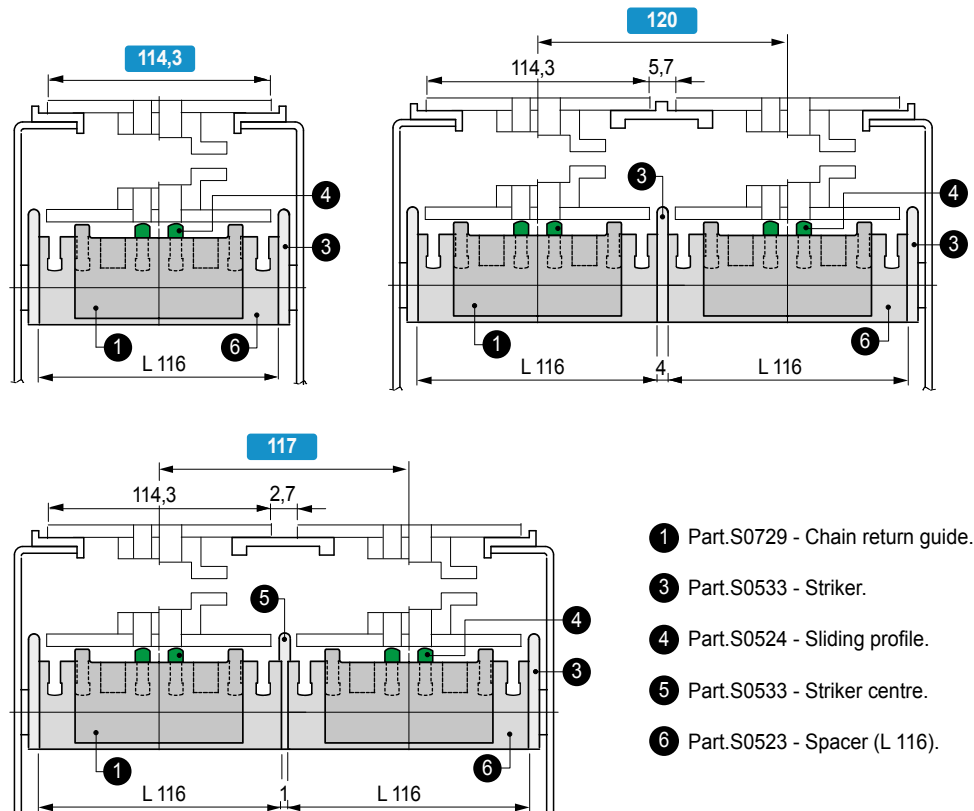
Part: S0729  
S0523  
S0533  
S0524

### • Chain width 82,5 mm (K325)



- 1 Part.S0729 Chain return guide.
- 2 Part.S0523 Spacer (L 84).
- 3 Part.S0533 Striker.
- 4 Part.S0524 Sliding profile.
- 5 Part.S0533 Striker centre.

### • Chain width 114,3 mm (K450)



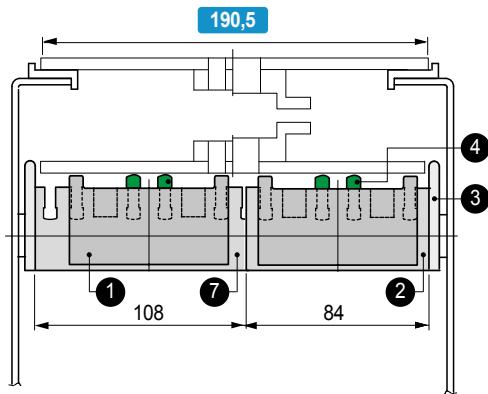
- 1 Part.S0729 - Chain return guide.
- 3 Part.S0533 - Striker.
- 4 Part.S0524 - Sliding profile.
- 5 Part.S0533 - Striker centre.
- 6 Part.S0523 - Spacer (L 116).

● Best Seller

● Standard

● On request: minimum quantity may apply. Consult our Customer Service for availability.

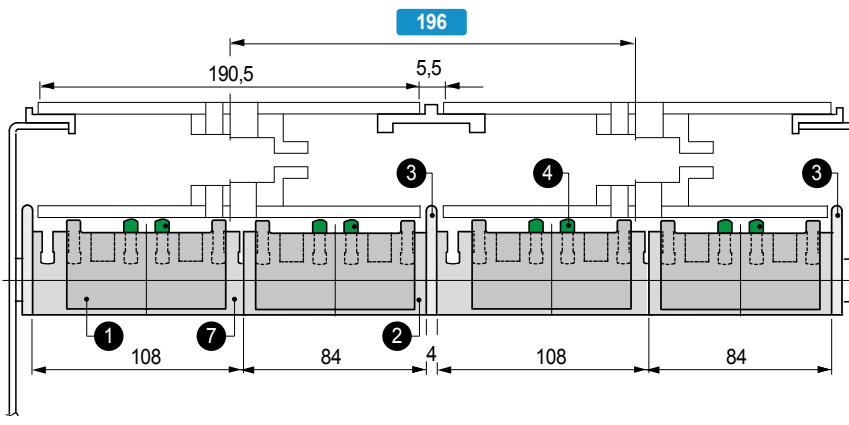
• Chain width 190,5 mm (K 750)



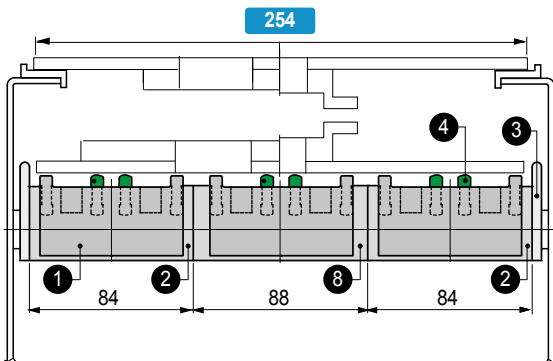
- ① Part.S0729 - Chain return guide.
- ② Part.S0523 - Spacer (L 84).
- ③ Part.S0533 - Striker.
- ④ Part.S0524 - Sliding profile.
- ⑦ Part.S0523 - Spacer (L 108).

Assembly schemes for

- Part: S0729  
S0523  
S0533  
S0524

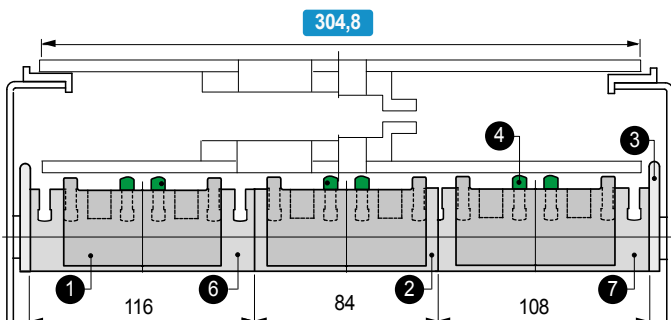


• Chain width 254 mm (K 1000)



- ① Part.S0729 - Chain return guide.
- ② Part.S0523 - Spacer (L 84).
- ③ Part.S0533 - Striker.
- ④ Part.S0524 - Sliding profile.
- ⑧ Part.S0523 - Spacer (L 88).

• Chain width 304,8 mm (K 1200)



- ① Part.S0729 - Chain return guide.
- ② Part.S0523 - Spacer (L 84).
- ③ Part.S0533 - Striker.
- ④ Part.S0524 - Sliding profile.
- ⑥ Part.S0523 - Spacer (L 116).
- ⑦ Part.S0523 - Spacer (L 108).

● Best Seller

● Standard

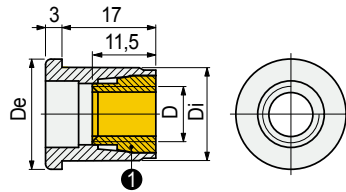
● On request: minimum quantity may apply. Consult our Customer Service for availability.

Part. **S0565**



for round tubes Dia. 18 - 20 mm

Expansion plugs



Tube dimensions ① Expansion cone

Outside mm	Thickness mm	Inside mm	Thread D	De mm	Di mm	Code
Ø 18	1,5	15	M8	18	15	698661
	2	14	M6	18	14	698671
Ø 20	1,5	17	M8	20	17	698681
			M10	20	17	698691

- Material: plug in polyamide PA (black), expansion cone in brass.
- Standard packaging: expansion cone is supplied separated from the plug.
- Weight: 0,01Kg.
- Packaging: 100 pieces.
- Max recommended tightening torque: 1 Kgm.

Part. **S0179**

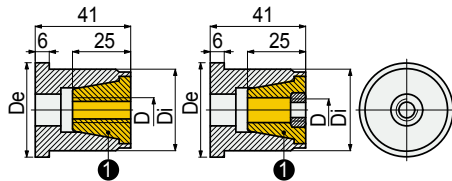


for round tubes Dia. 38 - 42,4 mm

Expansion plugs

Expansion cone in brass

Expansion cone in reinforced polyamide PA FV

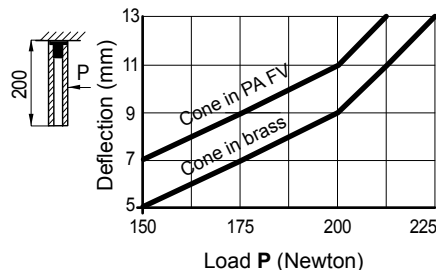


Tube dimensions ① Expansion cone

Outside mm	Thickness mm	Inside mm	Thread D	De mm	Di mm	Code
<b>Expansion cone in brass</b>						
Ø 38	1,5	35	M8	40	34,8	69513
			M10	40	34,8	69523
Ø 42,4	1,5	39,4	M8	44,5	39,2	69533
			M10	44,5	39,2	69543
<b>Expansion cone in reinforced polyamide PA FV</b>						
Ø 38	1,5	35	M8	20	34,8	54881
			M10	20	34,8	52641
Ø 42,4	1,5	39,4	M8	20	39,2	54891
			M10	20	39,2	52651

- Material: plug in reinforced polyamide PA FV (black), expansion cone in brass or in reinforced polyamide PA FV.
- Weight: 0,10 Kg.
- Packaging: 50 pieces.
- Max recommended tightening torque: 2,5 Kgm (for M8), 4 Kgm (for M10).

Deflection of Part. S0179



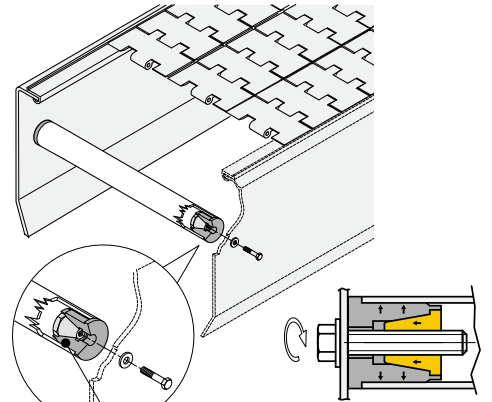
● Best Seller

● Standard

● On request: minimum quantity may apply. Consult our Customer Service for availability.

Item code for order = Part. + Code

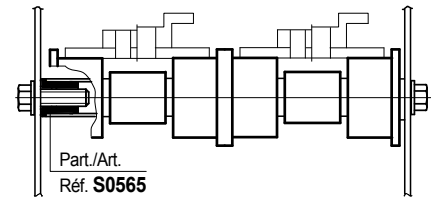
• Assembly Part. S0565 - S0179



Part./Art. Réf. S0565 - S0179

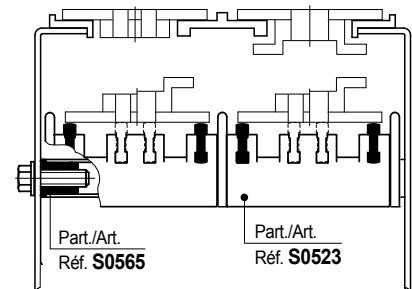
Tightening the bolt, the plug expands and stays firmly in the tube.

• Application example of Part. S0565 for return chain rollers



Part./Art. Réf. S0565

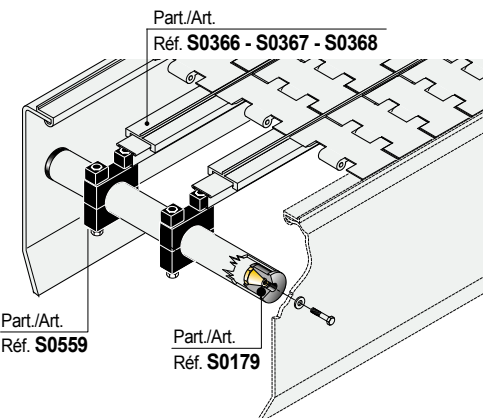
• Application example of Part. S0565 for serpentine return



Part./Art. Réf. S0565

Part./Art. Réf. S0523

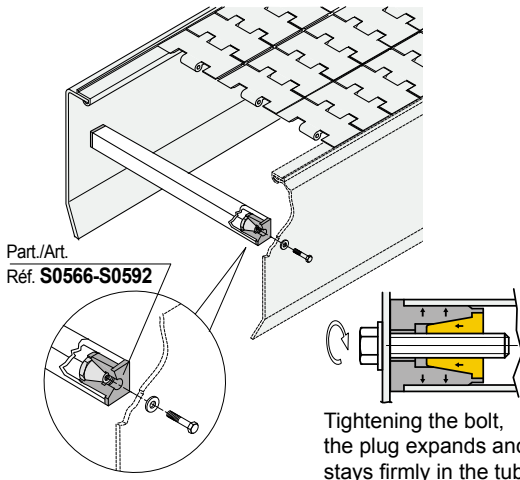
• Application example of Part. S0179 for supporting chain guide profile Part. S0366 - S0367 - S0368



Part./Art. Réf. S0559

Part./Art. Réf. S0179

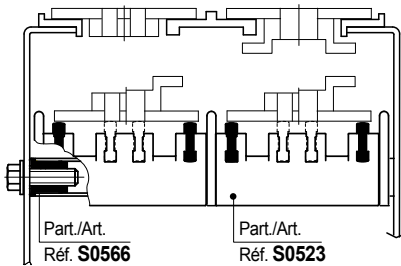
• **Assembly Part. S0566 - S0592**



Part./Art.  
Réf. **S0566-S0592**

Tightening the bolt, the plug expands and stays firmly in the tube.

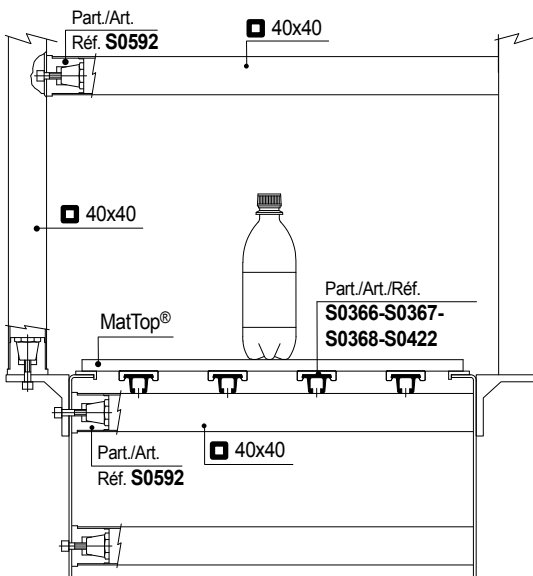
• **Application example** of Part. S0566 for return chain rollers



Part./Art.  
Réf. **S0566**

Part./Art.  
Réf. **S0523**

• **Application example** of Part. S0592 for modular chain conveyors to support profiles Part. S0366 - S0367 - S0368 - S0422



Part./Art.  
Réf. **S0592**

40x40

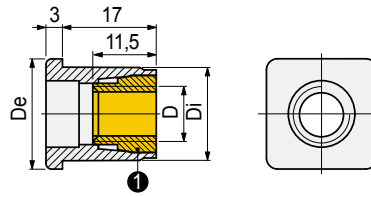
40x40

Part./Art./Réf.  
**S0366-S0367-S0368-S0422**

Part./Art.  
Réf. **S0592**

40x40

■ **Expansion plugs**



Tube dimensions

① Expansion cone

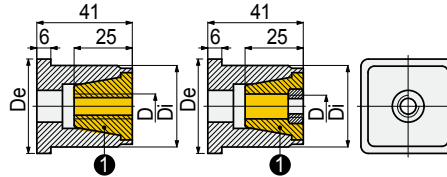
Outside mm	Thickness mm	Inside mm	Thread D	De mm	Di mm	Code
∅ 20	1,5	17	M8	20	17	<b>698701</b>
			M10	20	17	<b>698711</b>
	2	16	M8	20	16	<b>698721</b>

- Material: plug in polyamide PA (black), expansion cone in brass.
- Standard packaging: expansion cone is supplied separated from the plug.
- Weight: 0,01Kg.
- Packagin: 100 pieces.
- Max recommended tightening torque: 1 Kgm.

■ **Expansion plugs**

Expansion cone in brass

Expansion cone in reinforced polyamide PA FV



Tube dimensions

① Expansion cone

Outside mm	Thickness mm	Inside mm	Thread D	De mm	Di mm	Code
---------------	-----------------	--------------	-------------	----------	----------	------

• **Expansion cone in brass**

∅ 40	1,5/2	37/36	M8	42	36	<b>609442</b>
			M10	42	36	<b>609462</b>
2,5/3	35/34		M8	42	34	<b>609482</b>
			M10	42	34	<b>609502</b>

• **Expansion cone in reinforced polyamide PA FV**

∅ 40	1,5/2	37/36	M8	42	36	<b>609452</b>
			M10	42	36	<b>609472</b>
2,5/3	35/34		M8	42	34	<b>609492</b>
			M10	42	34	<b>609512</b>

- Material: plug in reinforced polyamide PA FV (black), expansion cone in brass or in reinforced polyamide PA FV.
- Weight: 0,10 Kg.
- Packaging: 50 pieces.
- Max recommended tightening torque: 2,5 Kgm (for M8), 4 Kgm (for M10).

## Part. S0566



for round tubes ∅ 20 mm

## Part. S0592



for round tubes ∅ 40 mm

● Best Seller

● Standard

● On request: minimum quantity may apply. Consult our Customer Service for availability.

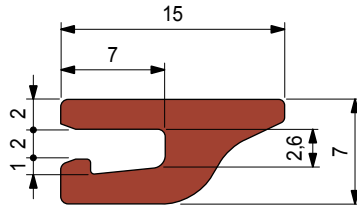
Item code for order = Part. + Code



Part. **S0834**



■ Neck transport guides



Material	Packaging metres	Code
UHMWPE		
ULF - brown red	30	<b>UL636473</b>

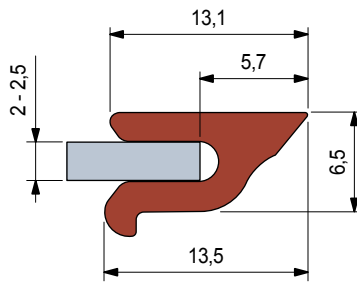
- Standard packaging: coil.



Part. **S0838**



■ Neck transport guides



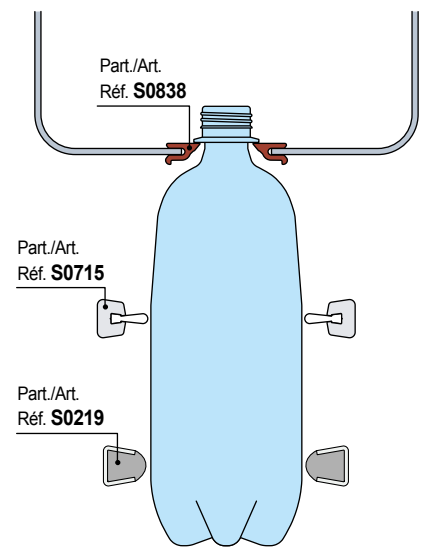
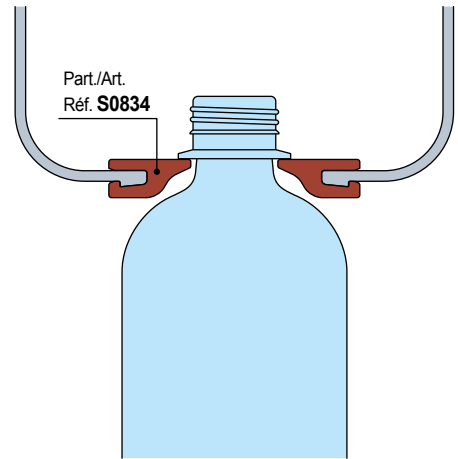
Material	Packaging metres	Code
UHMWPE		
ULF - brown red	30	<b>UL637613</b>

- Standard packaging: coil.



- **Material:** Polyethylene UHMWPE with molecular density 5.600.000 g/mol.  
Characteristics: new material Polyethylene ULF brown red (UHMWPE): reduced friction coefficient, higher wear resistance.
- **Linear expansion coefficient:**  $2 \times 10^{-4} \text{ } ^\circ\text{C}^{-1}$   
Calculation of thermal expansion see Technical information.
- **Operating temperature ULF - brown red:**  
In air (- 40 to + 45 °C).  
In hot water (+ 45 °C).
- **Polyethylene ULF is FDA approved**  
Polyethylene ULF complies with the Code of Federal Regulations Title 21, § 177.1520 "Olefin Polymers" of the Food and Drug Administration (FDA) of April 1, 2008.

- **Use Part. S0834 - S0838**  
Overhead transport of PET bottles.

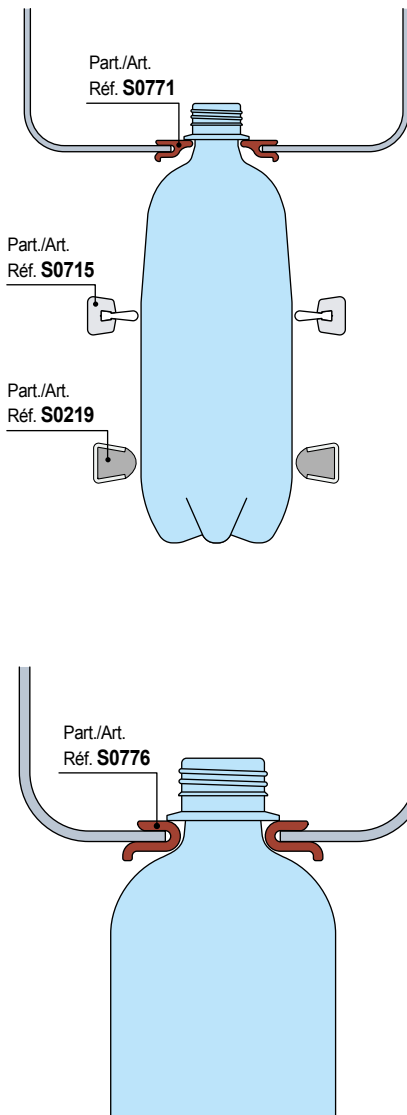


- **Best Seller**
- **Standard**
- **On request:** minimum quantity may apply. Consult our Customer Service for availability.

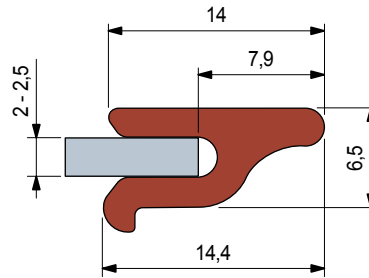
Item code for order = Part. + Code

- **Material:** Polyethylene UHMWPE with molecular density 5.600.000 g/mol.  
Characteristics: new material Polyethylene ULF brown red (UHMWPE): reduced friction coefficient, higher wear resistance.
- **Linear expansion coefficient:**  $2 \times 10^{-4} \text{ } ^\circ\text{C}^{-1}$   
Calculation of thermal expansion see Technical information.
- **Operating temperature ULF - brown red:**  
In air (- 40 to + 45 °C).  
In hot water (+ 45 °C).
- **Polyethylene ULF is FDA approved**  
Polyethylene ULF complies with the Code of Federal Regulations Title 21, § 177.1520 "Olefin Polymers" of the Food and Drug Administration (FDA) of April 1, 2008.

- **Use Part. S0771 - S0776**  
Overhead transport of PET bottles.



## ■ Neck transport guides



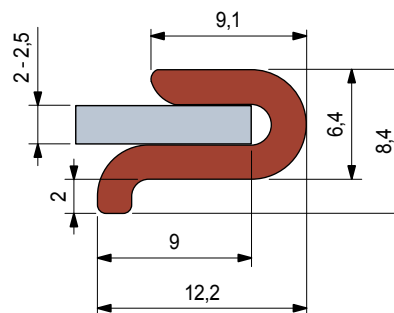
Material	Packaging metres	Code
UHMWPE		
ULF - brown red	40	UL626363N

- Standard packaging: coil.

## Part. S0771



## ■ Neck transport guides



Material	Packaging metres	Code
UHMWPE		
ULF - brown red	40	UL626373N

- Standard packaging: coil.

## Part. S0776



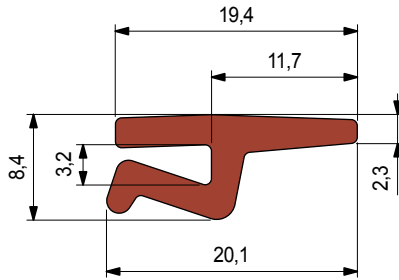
- Best Seller
- Standard
- On request: minimum quantity may apply. Consult our Customer Service for availability.

Item code for order = Part. + Code

Part. **S0839**



■ Neck transport guides



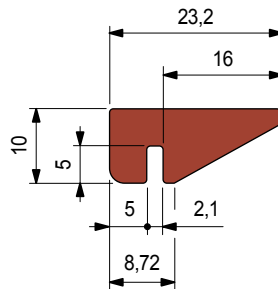
Material	Packaging metres	Code
UHMWPE		
ULF - brown red	30	<b>UL640063</b>

- Standard packaging: coil.

Part. **S0835**



■ Neck transport guides

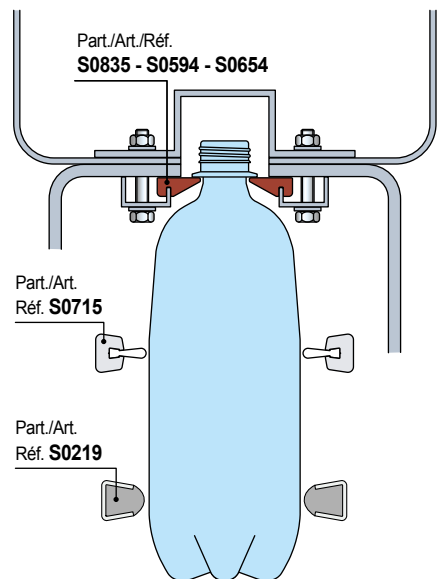
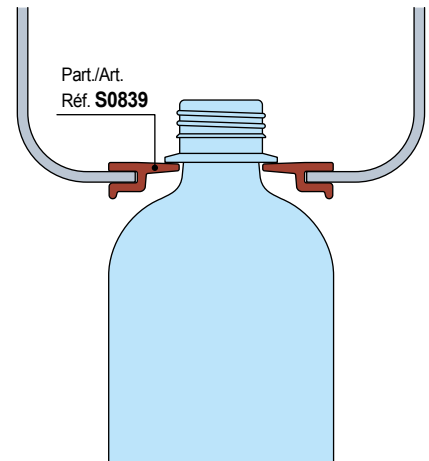


Material	Length metres	Code
UHMWPE		
ULF - brown red	3	<b>UL636573N</b>

- Min. curvature radius: 750 mm.  
- Packaging: 45 metres.

- **Material:** Polyethylene UHMWPE with molecular density 5.600.000 g/mol.  
Characteristics: new material Polyethylene ULF brown red (UHMWPE): reduced friction coefficient, higher wear resistance.
- **Linear expansion coefficient:**  $2 \times 10^{-4} \text{ } ^\circ\text{C}^{-1}$   
Calculation of thermal expansion see Technical information.
- **Operating temperature ULF - brown red:**  
In air (- 40 to + 45 °C).  
In hot water (+ 45 °C).
- **Polyethylene ULF is FDA approved**  
Polyethylene ULF complies with the Code of Federal Regulations Title 21, § 177.1520 "Olefin Polymers" of the Food and Drug Administration (FDA) of April 1, 2008.

• **Use** Part. S0839 - S0835 - S0594 - S0654  
Overhead transport of PET bottles.



● Best Seller

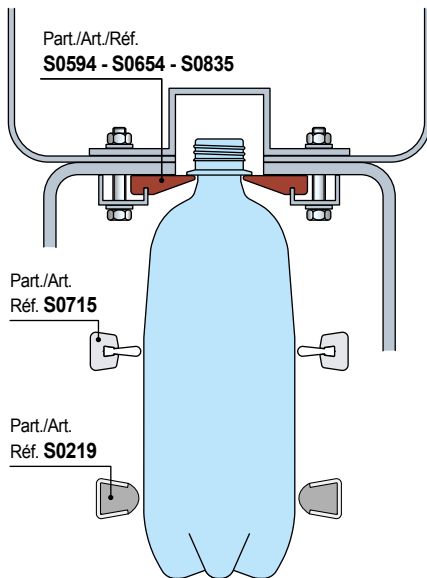
● Standard

● On request: minimum quantity may apply.  
Consult our Customer Service for availability.

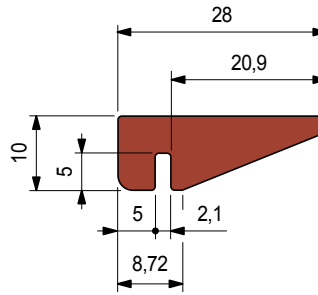
Item code for order = Part. + Code

- **Material:** Polyethylene UHMWPE with molecular density 5.600.000 g/mol.  
Characteristics: new material Polyethylene ULF brown red (UHMWPE): reduced friction coefficient, higher wear resistance.
- **Linear expansion coefficient:**  $2 \times 10^{-4} \text{ } ^\circ\text{C}^{-1}$   
Calculation of thermal expansion see Technical information.
- **Operating temperature ULF - brown red:**  
In air (- 40 to + 45 °C).  
In hot water (+ 45 °C).
- **Polyethylene ULF is FDA approved**  
Polyethylene ULF complies with the Code of Federal Regulations Title 21, § 177.1520 "Olefin Polymers" of the Food and Drug Administration (FDA) of April 1, 2008.

- **Use Part. S0594 - S0654 - S0835**  
Overhead transport of PET bottles.



## Neck transport guides



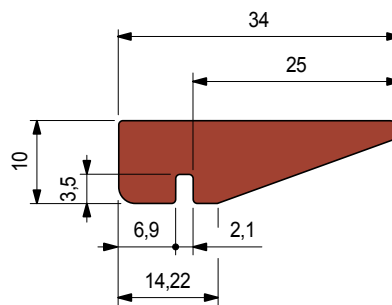
Material	Length metres	Code
UHMWPE		
ULF - brown red	3	UL691702N
	6	UL691712N

- Min. curvature radius: 750 mm.
- Packaging: 45 metres (in 3 m length 10Ft).  
90 metres (in 6 m length).

## Part. S0594



## Neck transport guides



Material	Length metres	Code
UHMWPE		
ULF - brown red	3	UL691722N
	6	UL691732N

- Min. curvature radius: 750 mm.
- Packaging: 90 metres.

## Part. S0654



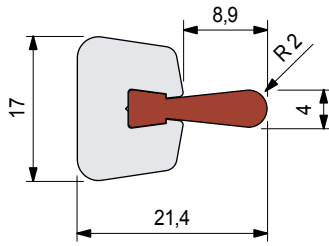
- Best Seller
- Standard
- On request: minimum quantity may apply. Consult our Customer Service for availability.

Item code for order = Part. + Code

Part. **S0715**



■ Guide rail

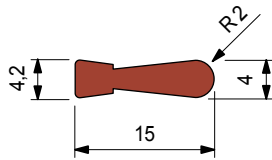


Length metres	Code	Weight kg/m
3	<b>UL691892N</b>	0,59

- Material: metal profile in anodized aluminium. Plastic profile in Polyethylene ULF (brown red).
- Standard packaging: The plastic and metal profiles are supplied disassembled.
- Min. curvature radius: 500 mm.
- Packaging: 72 metres.

Part. **S0716**

■ Plastic profile

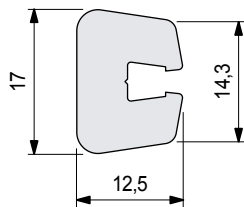


Material UHMWPE	Packaging metres	Code
ULF - brown red	60	<b>UL613833N</b>

- Standard packaging: coil.
- Weight: 0,09 Kg/m.

Part. **S0717**

■ Metal profile



Metal profile material	Length metres	Code
Anodized aluminium	3	<b>686222</b>

- Min. curvature radius: 500 mm.
- Packaging: 60 metres.
- Weight: 0,50 Kg/m.

● Best Seller

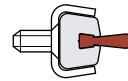
● Standard

● On request: minimum quantity may apply. Consult our Customer Service for availability.

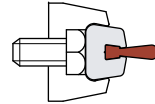
- **Material:** Polyethylene UHMWPE with molecular density 5.600.000 g/mol. Characteristics: new material Polyethylene ULF brown red (UHMWPE): reduced friction coefficient, higher wear resistance.
- **Linear expansion coefficient:**  $2 \times 10^{-4} \text{ } ^\circ\text{C}^{-1}$   
Calculation of thermal expansion see Technical information.
- **Operating temperature ULF - brown red:**  
In air (- 40 to + 45 °C).  
In hot water (+ 45 °C).
- **Polyethylene ULF is FDA approved**  
Polyethylene ULF complies with the Code of Federal Regulations Title 21, § 177.1520 "Olefin Polymers" of the Food and Drug Administration (FDA) of April 1, 2008.

• **Accessories:** see Guide - Rail Clamps

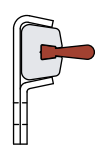
Part./Art./Réf.  
**S0216 - S0903**



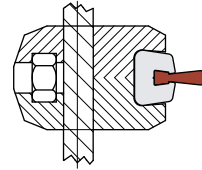
Part./Art./Réf.  
**S0275**



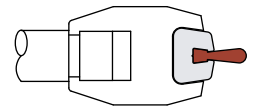
Part./Art./Réf.  
**S0215**



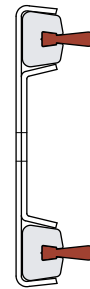
Part./Art./Réf.  
**S0211 - S0446**



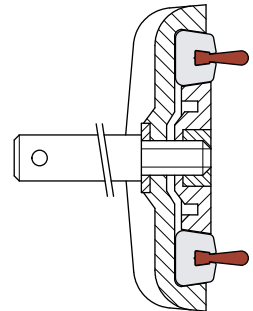
Part./Art./Réf.  
**S0210 - S0210P**



Part./Art./Réf.  
**S0217**

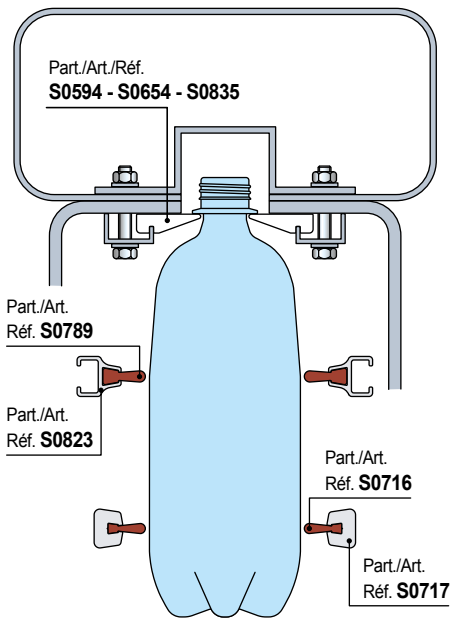
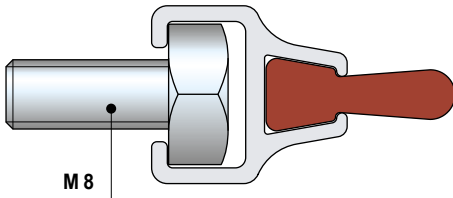


Part./Art./Réf.  
**S0213**

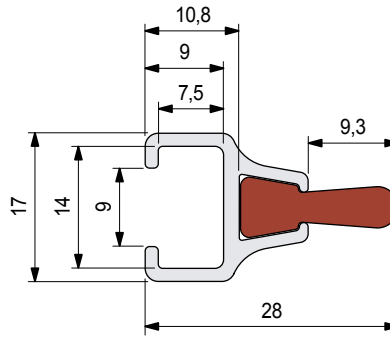


- **Material:** Polyethylene UHMWPE with molecular density 5.600.000 g/mol.  
Characteristics: new material Polyethylene ULF brown red (UHMWPE): reduced friction coefficient, higher wear resistance.
- **Linear expansion coefficient:**  $2 \times 10^{-4} \text{ } ^\circ\text{C}^{-1}$   
Calculation of thermal expansion see Technical information.
- **Operating temperature ULF - brown red:**  
In air (- 40 to + 45 °C).  
In hot water (+ 45 °C).
- **Polyethylene ULF is FDA approved**  
Polyethylene ULF complies with the Code of Federal Regulations Title 21, § 177.1520 "Olefin Polymers" of the Food and Drug Administration (FDA) of April 1, 2008.

- **Assembly of Part. S0823**  
M8 hex head bolt.



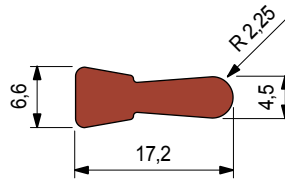
## ■ Guide rail



Length metres	Code	Weight kg/m
5,8	<b>UL636103N</b>	0,34

- Material: metal profile in anodized aluminium.  
Plastic profile in Polyethylene ULF (brown red).
- Standard packaging: The plastic and metal profiles are supplied disassembled.
- Packaging: 58 metres.

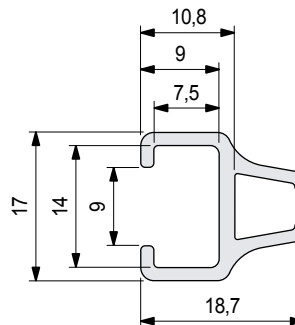
## ■ Plastic profile



Material UHMWPE	Packaging metres	Code
ULF - brown red	40	<b>UL630893N</b>

- Standard packaging: coil.
- Weight: 0,10 Kg/m.

## ■ Metal profile



Metal profile material	Length metres	Code
Anodized aluminium	5,8	<b>631433</b>

- Packaging: 58 metres.
- Weight: 0,24 Kg/m.

## Part. S0832



## Part. S0789

## Part. S0823

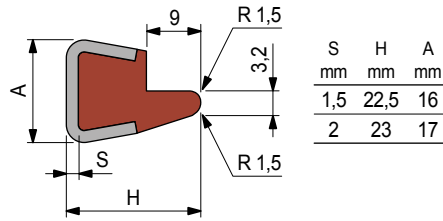
- Best Seller
- Standard
- On request: minimum quantity may apply. Consult our Customer Service for availability.

Item code for order = Part. + Code

Part. **S0308**



■ Neck transport guide



Thickness S	Metal profile material	Length metres	Code	Weight kg/m
-------------	------------------------	---------------	------	-------------

Plastic profile in polyethylene UHMWPE (white)

1,5	Austenitic stainless steel	3	<b>65602</b>	0,65
		6	<b>68192</b>	
2		3	<b>67713</b>	

Plastic profile in polyethylene ULF (brown red)

2	Austenitic stainless steel	3	<b>UL646883</b>	0,65
---	----------------------------	---	-----------------	------

- Antistatic polyethylene UHMWPE (black) available upon request with minimum quantities.
- Min. curvature radius: 160 mm.
- Linear expansion coefficient:  $4 \times 10^{-5} \text{ } ^\circ\text{C}^{-1}$ .
- Calculation of thermal expansion see Technical information.
- Packaging: 24 metres (in 3 m length 10Ft).  
48 metres (in 6 m length).
- Accessories:



Guide - Rail Clamps.

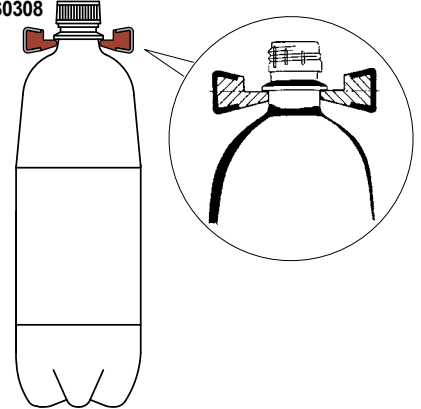


Guide rail bending machine (manual) Part. S0218.

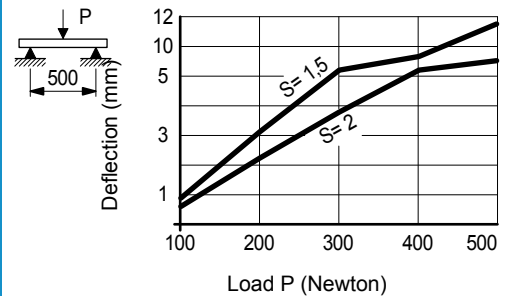
- **Material:** Polyethylene UHMWPE with molecular density 5.600.000 g/mol.
- **Characteristics:** new material Polyethylene ULF brown red (UHMWPE): reduced friction coefficient, higher wear resistance.
- **Operating temperature White, Green, Black:**  
In air (- 40 to + 80 °C).  
In hot water (+ 70 °C).
- **Operating temperature ULF - brown red:**  
In air (- 40 to + 45 °C).  
In hot water (+ 45 °C).
- **Polyethylene ULF is FDA approved**  
Polyethylene ULF complies with the Code of Federal Regulations Title 21, § 177.1520 "Olefin Polymers" of the Food and Drug Administration (FDA) of April 1, 2008.

- **Use of Part. S0308**  
Overhead trasport of PET bottles.

Part./Art.  
Réf. **S0308**



- **Deflection of Part. S0308 - S0393 - S0596**



● Best Seller

● Standard

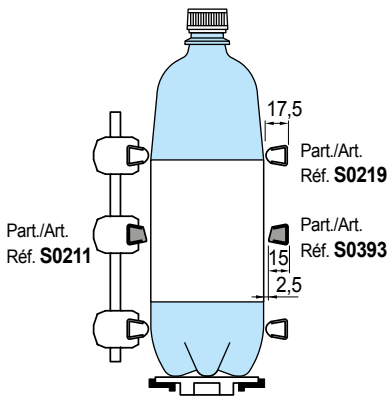
● On request: minimum quantity may apply. Consult our Customer Service for availability.

Item code for order = Part. + Code

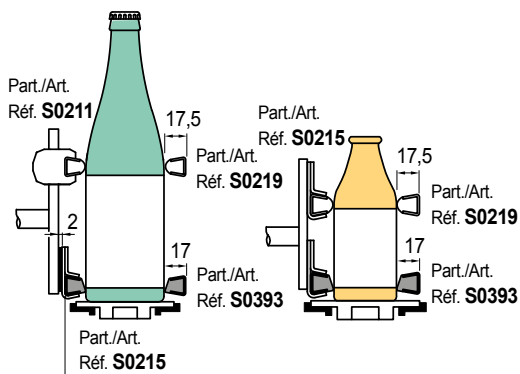
- **Material:** Polyethylene UHMWPE with molecular density 5.600.000 g/mol.  
Characteristics: new material Polyethylene ULF brown red (UHMWPE): reduced friction coefficient, higher wear resistance.
- **Operating temperature White, Green, Black:**  
In air (- 40 to + 80 °C).  
In hot water (+ 70 °C).
- **Operating temperature ULF - brown red:**  
In air (- 40 to + 45 °C).  
In hot water (+ 45 °C).
- **Polyethylene ULF is FDA approved**  
Polyethylene ULF complies with the Code of Federal Regulations Title 21, § 177.1520 "Olefin Polymers" of the Food and Drug Administration (FDA) of April 1, 2008.

• **Use of Part. S0393**

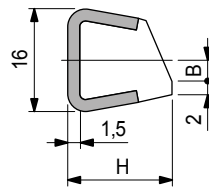
Transport of PET bottles with petaloid bottom.  
The guide can be used to stabilize, and protect label from damage.



Transport of glass bottles.



■ **Label protection guide**



H	B
mm	mm
15	3,9
17	3,6



Metal profile material	Length metres	H mm	Code	Weight kg/m
Austenitic stainless steel	3	15	<b>62522</b>	0,50
		17	<b>62512</b>	

- Plastic profile material: polyethylene UHMWPE (white).  
Antistatic polyethylene UHMWPE (black) available upon request with minimum quantities.
- Min. curvature radius: 145 mm.
- Linear expansion coefficient:  $4 \times 10^{-5} \text{ } ^\circ\text{C}^{-1}$ .  
Calculation of thermal expansion see Technical information.
- Packaging: 24 metres.
- Accessories:

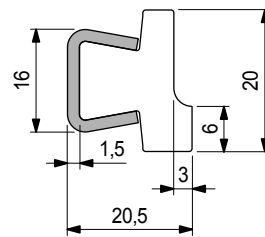


Guide - Rail Clamps.



Guide rail bending machine (manual)  
Part. S0218.

■ **Label protection guide**



**Part. S0596**



Metal profile material	Length metres	H mm	Code	Weight kg/m
Austenitic stainless steel	3	15	<b>614673</b>	0,65
		6	<b>611092</b>	

- Use: unstable containers.  
Beer bottles (0,33 l), water bottles (1/2 l).
- Plastic profile material: polyethylene UHMWPE (white).
- Min. curvature radius: 160 mm.
- Linear expansion coefficient:  $4 \times 10^{-5} \text{ } ^\circ\text{C}^{-1}$ .  
Calculation of thermal expansion see Technical information.
- Packaging: 48 metres.
- Accessories:



Guide - Rail Clamps.



Guide rail bending machine (manual)  
Part. S0218.

● **Best Seller**

● **Standard**

● **On request:** minimum quantity may apply.  
Consult our Customer Service for availability.

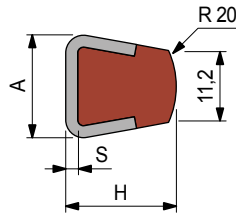
Item code for order = Part. + Code



Part. **S0317**



■ Guide rail (half round)



S	H	A
mm	mm	mm
1,5	17,5	16
2	18	17

Thickness S	Metal profile material	Length metres	Code	Weight kg/m
-------------	------------------------	---------------	------	-------------

Plastic profile in polyethylene UHMWPE (white)

1,5	Austenitic stainless steel	3	<b>69072</b>	0,54
		6	<b>69302</b>	
2	Austenitic stainless steel	3	<b>67063</b>	
		6	<b>67103</b>	

Plastic profile in polyethylene ULF (brown red)

1,5	Austenitic stainless steel	3	<b>UL643483</b>	0,54
2	Austenitic stainless steel	3	<b>UL643493</b>	

- Antistatic polyethylene UHMWPE (black) available upon request with minimum quantities.
- Min. curvature radius: 145 mm.
- Linear expansion coefficient:  $4 \times 10^{-5} \text{ }^\circ\text{C}^{-1}$ .
- Calculation of thermal expansion see Technical information.
- Packaging: 24 metres (in 3 m length 10Ft).  
48 metres (in 6 m length).

- Accessories:



Guide - Rail Clamps.

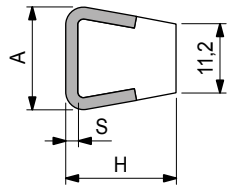


Guide rail bending machine (manual) Part. S0218.

Part. **S0223**



■ Neck transport guide



S	H	A
mm	mm	mm
1,5	17,5	16
2	18	17

Thickness S	Metal profile material	Length metres	Code	Weight kg/m
-------------	------------------------	---------------	------	-------------

1,5	Austenitic stainless steel	3	<b>61031</b>	0,54
	Zinc plated steel	6	<b>69402</b>	
2	Austenitic stainless steel	3	<b>61743</b>	
	Austenitic stainless steel	6	<b>67123</b>	

- Colour: white.
- Antistatic polyethylene UHMWPE (black) available upon request with minimum quantities.
- Min. curvature radius: 145 mm.
- Linear expansion coefficient:  $4 \times 10^{-5} \text{ }^\circ\text{C}^{-1}$ .
- Calculation of thermal expansion see Technical information.
- Packaging: 24 metres (in 3 m length 10Ft).  
48 metres (in 6 m length).

- Accessories:



Guide - Rail Clamps.



Guide rail bending machine (manual) Part. S0218.

- **Material:** Polyethylene UHMWPE with molecular density 5.600.000 g/mol.  
Characteristics: new material Polyethylene ULF brown red (UHMWPE): reduced friction coefficient, higher wear resistance.

• **Operating temperature White, Green, Black:**

- In air (- 40 to + 80 °C).
- In hot water (+ 70 °C).

• **Operating temperature ULF - brown red:**

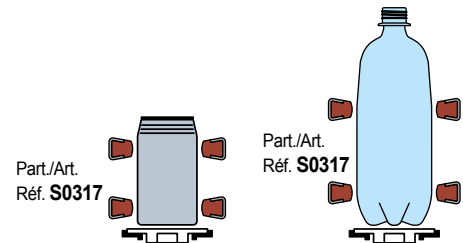
- In air (- 40 to + 45 °C).
- In hot water (+ 45 °C).

• **Polyethylene ULF is FDA approved**

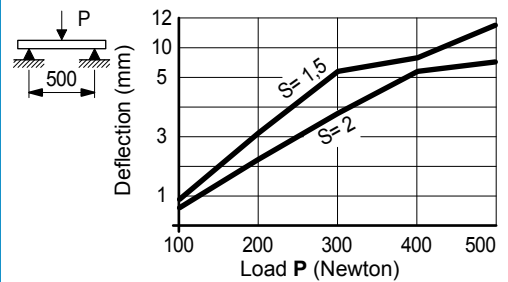
Polyethylene ULF complies with the Code of Federal Regulations Title 21, § 177.1520 "Olefin Polymers" of the Food and Drug Administration (FDA) of April 1, 2008.

• **Use of Part. S0317**

Delicate containers (ex: empty cans, empty PET).

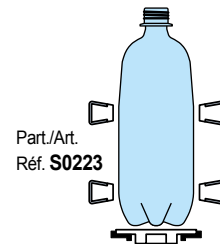


• **Deflection of Part. S0317 - S0223**

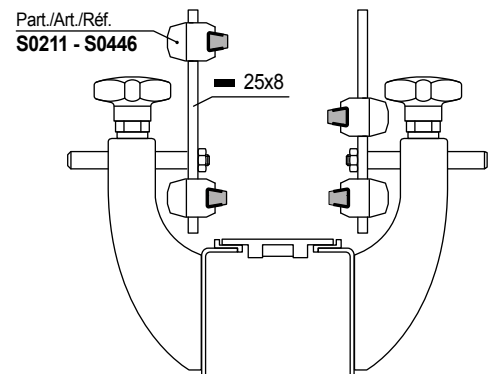


• **Use of Part. S0223**

Middle delicate containers (ex: full PET).



• **Assembly of Part. S0317 - S0223**



● Best Seller

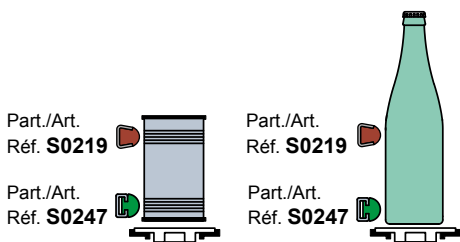
● Standard

● On request: minimum quantity may apply. Consult our Customer Service for availability.

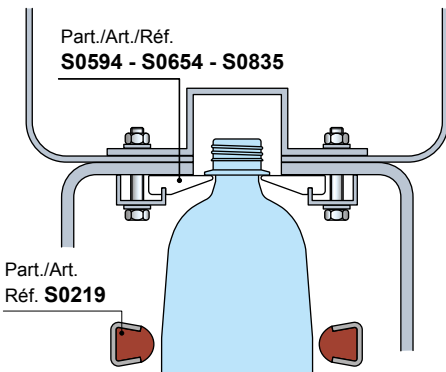
Item code for order = Part. + Code

- **Material:** Polyethylene UHMWPE with molecular density 5.600.000 g/mol.  
Characteristics: new material Polyethylene ULF brown red (UHMWPE): reduced friction coefficient, higher wear resistance.
- **Operating temperature White, Green, Black:**  
In air (- 40 to + 80 °C).  
In hot water (+ 70 °C).
- **Operating temperature ULF - brown red:**  
In air (- 40 to + 45 °C).  
In hot water (+ 45 °C).
- **Polyethylene ULF is FDA approved**  
Polyethylene ULF complies with the Code of Federal Regulations Title 21, § 177.1520 "Olefin Polymers" of the Food and Drug Administration (FDA) of April 1, 2008.

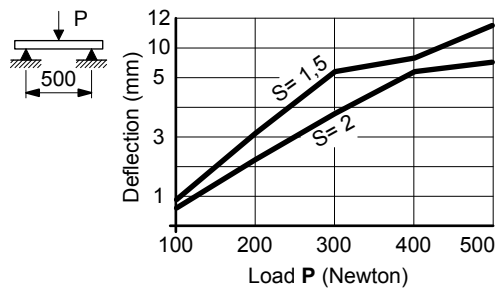
- **Use of S0219 - S0247**  
Medium strength containers (ex: latten, glass).



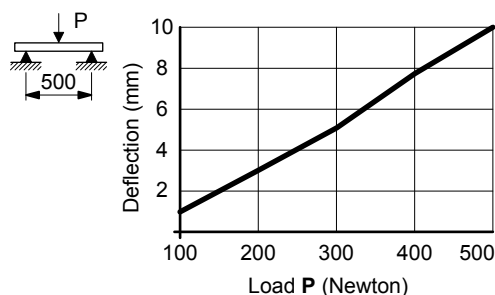
Plastic profile of Part. S0247 can be disassembled.



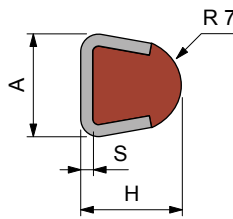
### Deflection of Part. S0219



### Deflection of Part. S0247



### Guide rail (round)



S	H	A
mm	mm	mm
1,5	17,5	16
2	18	17

Thickness S mm	Metal profile material	Length metres	Code	Weight kg/m
----------------	------------------------	---------------	------	-------------

Plastic profile in polyethylene UHMWPE (white)				
1,5	Austenitic stainless steel	3	<b>60161</b>	0,54
	Zinc plated steel	6	<b>69292</b>	
2	Austenitic stainless steel	3	<b>61753</b>	0,54
	Zinc plated steel	6	<b>67113</b>	

Plastic profile in polyethylene ULF (brown red)				
1,5	Austenitic stainless steel	3	<b>UL634643N</b>	0,54
2	Zinc plated steel	6	<b>UL634543N</b>	

- Antistatic polyethylene UHMWPE (black) available upon request with minimum quantities.
- Min. curvature radius: 145 mm.
- Linear expansion coefficient:  $4 \times 10^{-5} \text{ } ^\circ\text{C}^{-1}$ .  
Calculation of thermal expansion see Technical information.
- Packaging: 24 metres (in 3 m length 10Ft).  
48 metres (in 6 m length).
- Accessories:

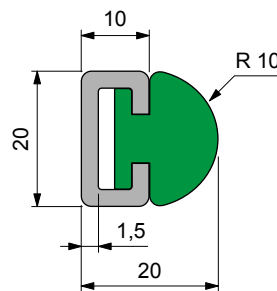


Guide - Rail Clamps.



Guide rail bending machine (manual) Part. S0218.

### Guide rail (round)



Length metres	Metal profile material	Code	Weight kg/m
---------------	------------------------	------	-------------

Plastic profile material in polyethylene UHMWPE (green)			
3	Austenitic stainless steel	<b>63911</b>	0,67
	Zinc plated steel	<b>63921</b>	

Plastic profile material in polyethylene UHMWPE (black)			
3	Zinc plated steel	<b>684232</b>	0,67
6	Zinc plated steel	<b>689712</b>	

- Min. curvature radius: 145 mm.
- Linear expansion coefficient:  $2 \times 10^{-4} \text{ } ^\circ\text{C}^{-1}$ .  
Calculation of thermal expansion see Technical information.
- Packaging: 24 metres.
- Accessories:



Guide - Rail Clamps.



Guide rail bending machine (manual) Part. S0218.

## Part. S0219



## Part. S0247



- Best Seller
- Standard
- On request: minimum quantity may apply. Consult our Customer Service for availability.

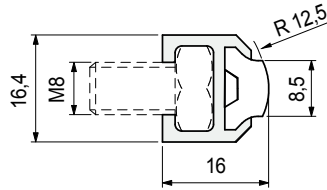
Item code for order = Part. + Code

Part. **S0346**



In aluminium

■ Guide rail (half round)



Length metres	Code	Weight kg/m
3	<b>60204</b>	<b>0,24</b>
6	<b>60214</b>	

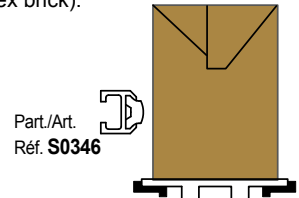
- Colour: white.
- Metal profile in anodized aluminium.
- Min. curvature radius: 110 mm.
- Linear expansion coefficient:  $2 \times 10^{-4} \text{ } ^\circ\text{C}^{-1}$ .
- Calculation of thermal expansion see Technical information.
- Packaging: 48 metres (in 3 m length 10Ft).  
96 metres (in 6 m length).
- Accessories:



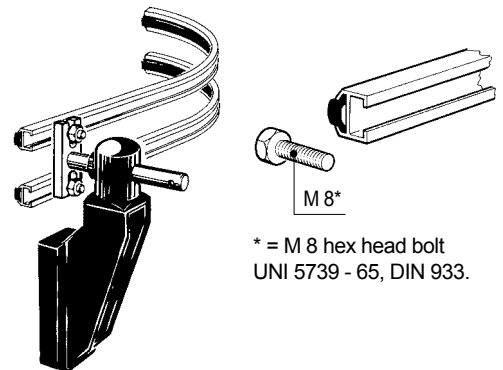
Guide rail bending machine (manual)  
Part. S0218.

- **Material:** Polyethylene UHMWPE with molecular density 5.600.000 g/mol.  
Characteristics: new material Polyethylene ULF brown red (UHMWPE): reduced friction coefficient, higher wear resistance.
- **Operating temperature White, Green, Black:**  
In air (- 40 to + 80 °C).  
In hot water (+ 70 °C).
- **Operating temperature ULF - brown red:**  
In air (- 40 to + 45 °C).  
In hot water (+ 45 °C).
- **Polyethylene ULF is FDA approved**  
Polyethylene ULF complies with the Code of Federal Regulations Title 21, § 177.1520 "Olefin Polymers" of the Food and Drug Administration (FDA) of April 1, 2008.

- **Use of Part. S0346**  
Conveyors with limited lateral loads (ex brick).

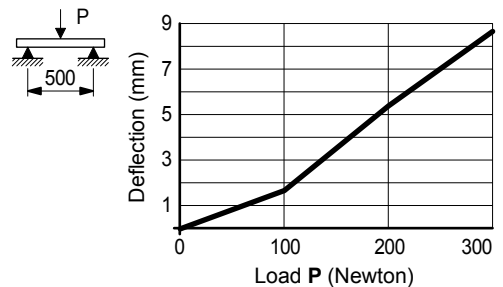


- **Assembly of Part. S0346**

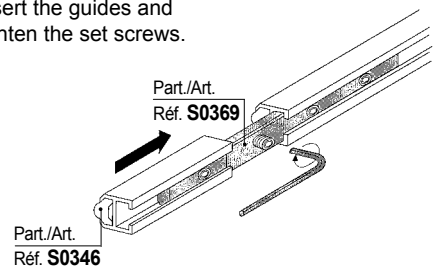


\* = M 8 hex head bolt  
UNI 5739 - 65, DIN 933.

- **Deflection of Part. S0346**



- **Assembly of Part. S0369**  
Insert the guides and tighten the set screws.

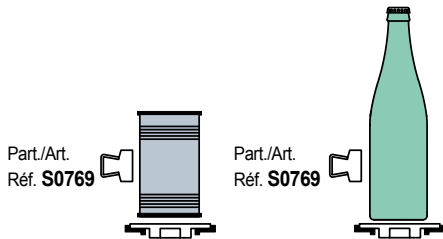


- **Best Seller**
- **Standard**
- **On request:** minimum quantity may apply. Consult our Customer Service for availability.

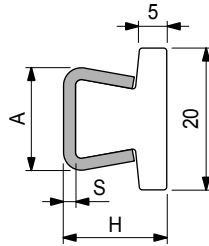
Item code for order = Part. + Code

- **Material:** Polyethylene UHMWPE with molecular density 5.600.000 g/mol.  
Characteristics: new material Polyethylene ULF brown red (UHMWPE): reduced friction coefficient, higher wear resistance.
- **Operating temperature White, Green, Black:**  
In air (- 40 to + 80 °C).  
In hot water (+ 70 °C).
- **Operating temperature ULF - brown red:**  
In air (- 40 to + 45 °C).  
In hot water (+ 45 °C).
- **Polyethylene ULF is FDA approved**  
Polyethylene ULF complies with the Code of Federal Regulations Title 21, § 177.1520 "Olefin Polymers" of the Food and Drug Administration (FDA) of April 1, 2008.

- **Use of Part. S0770 - S0769** Medium strength containers. (ex. latten, glass)



## ■ Guide rail (flat)



S	H	A
mm	mm	mm
1,5	17	16
2	17,5	17

Thickness	S	Metal profile material	Length metres	Code	Weight kg/m
mm	mm				
1,5		Austenitic stainless steel	3	<b>609183N</b>	0,61
			6	<b>609193N</b>	
2		Austenitic stainless steel	3	<b>609203N</b>	0,71
			6	<b>609213N</b>	

- Colour: white.
- Antistatic polyethylene UHMWPE (black) available upon request with minimum quantities.
- Min. curvature radius: 160 mm.
- Linear expansion coefficient:  $4 \times 10^{-5} \text{ } ^\circ\text{C}^{-1}$ .
- Calculation of thermal expansion see Technical information.
- Packaging: 24 metres.
- Accessories:

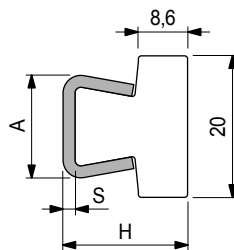


Guide - Rail Clamps.



Guide rail bending machine (manual)  
Part. S0218.

## ■ Guide rail (flat)



S	H	A
mm	mm	mm
1,5	20,5	16
2	21	17

Thickness	S	Metal profile material	Length metres	Code	Weight kg/m
mm	mm				
1,5		Austenitic stainless steel	3	<b>609133N</b>	0,67
			6	<b>609143N</b>	
2		Austenitic stainless steel	3	<b>609153N</b>	0,78
			6	<b>609163N</b>	

- Colour: white.
- Antistatic polyethylene UHMWPE (black) available upon request with minimum quantities.
- Min. curvature radius: 160 mm.
- Linear expansion coefficient:  $4 \times 10^{-5} \text{ } ^\circ\text{C}^{-1}$ .
- Calculation of thermal expansion see Technical information.
- Packaging: 24 metres.
- Accessories:



Guide - Rail Clamps.



Guide rail bending machine (manual)  
Part. S0218.

## Part. S0770



## Part. S0769



Best Seller

Standard

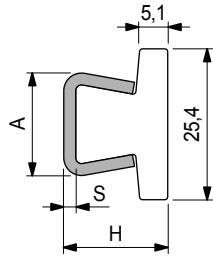
On request: minimum quantity may apply. Consult our Customer Service for availability.

Item code for order = Part. + Code

Part. **S0768**



■ Guide rail (flat)



S	H	A
mm	mm	mm
1,5	17	16
2	17,5	17

Thickness	Metal profile material	Length metres	Code	Weight kg/m
1,5	Austenitic stainless steel	3	<b>609083N</b>	0,63
		6	<b>609093N</b>	
2	Austenitic stainless steel	3	<b>609113N</b>	0,74
		6	<b>609123N</b>	

- Colour: white.
- Antistatic polyethylene UHMWPE (black) available upon request with minimum quantities.
- Min. curvature radius: 160 mm.
- Linear expansion coefficient:  $4 \times 10^{-5} \text{ } ^\circ\text{C}^{-1}$ .
- Calculation of thermal expansion see Technical information.
- Packaging: 24 metres.
- Accessories:



Guide - Rail Clamps.

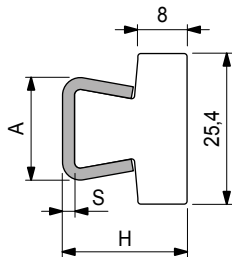


Guide rail bending machine (manual) Part. S0218.

Part. **S0767**



■ Guide rail (flat)



S	H	A
mm	mm	mm
1,5	20,5	16
2	21	17

Thickness	Metal profile material	Length metres	Code	Weight kg/m
1,5	Austenitic stainless steel	3	<b>609033N</b>	0,72
		6	<b>609043N</b>	
2	Austenitic stainless steel	3	<b>609063N</b>	0,82
		6	<b>609073N</b>	

- Colour: white.
- Antistatic polyethylene UHMWPE (black) available upon request with minimum quantities.
- Min. curvature radius: 160 mm.
- Linear expansion coefficient:  $4 \times 10^{-5} \text{ } ^\circ\text{C}^{-1}$ .
- Calculation of thermal expansion see Technical information.
- Packaging: 24 metres.
- Accessories:



Guide - Rail Clamps.



Guide rail bending machine (manual) Part. S0218.

• **Material:** Polyethylene UHMWPE with molecular density 5.600.000 g/mol.  
Characteristics: new material Polyethylene ULF brown red (UHMWPE): reduced friction coefficient, higher wear resistance.

• **Operating temperature White, Green, Black:**

In air (- 40 to + 80 °C).  
In hot water (+ 70 °C).

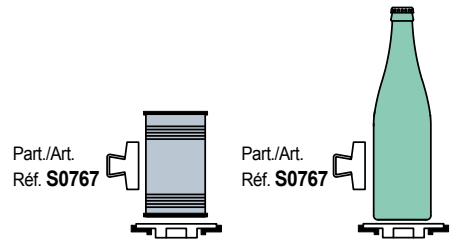
• **Operating temperature ULF - brown red:**

In air (- 40 to + 45 °C).  
In hot water (+ 45 °C).

• **Polyethylene ULF is FDA approved**

Polyethylene ULF complies with the Code of Federal Regulations Title 21, § 177.1520 "Olefin Polymers" of the Food and Drug Administration (FDA) of April 1, 2008.

• **Use of Part. S0770 - S0769** Medium strength containers (ex. latten, glass)



● Best Seller

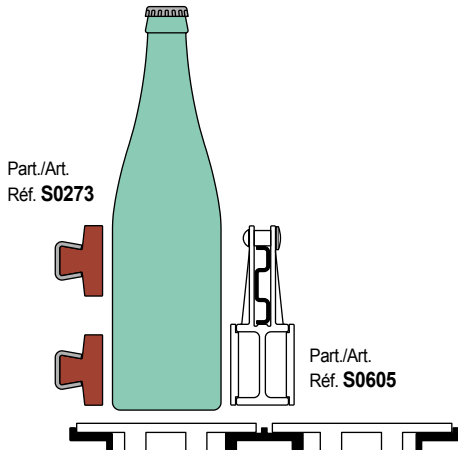
● Standard

● On request: minimum quantity may apply. Consult our Customer Service for availability.

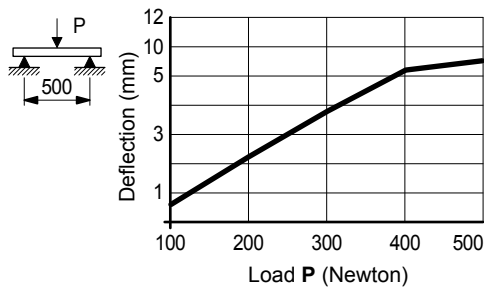
Item code for order = Part. + Code

- **Material:** Polyethylene UHMWPE with molecular density 5.600.000 g/mol.  
Characteristics: new material Polyethylene ULF brown red (UHMWPE): reduced friction coefficient, higher wear resistance.
- **Operating temperature White, Green, Black:**  
In air (- 40 to + 80 °C).  
In hot water (+ 70 °C).
- **Operating temperature ULF - brown red:**  
In air (- 40 to + 45 °C).  
In hot water (+ 45 °C).
- **Polyethylene ULF is FDA approved**  
Polyethylene ULF complies with the Code of Federal Regulations Title 21, § 177.1520 "Olefin Polymers" of the Food and Drug Administration (FDA) of April 1, 2008.

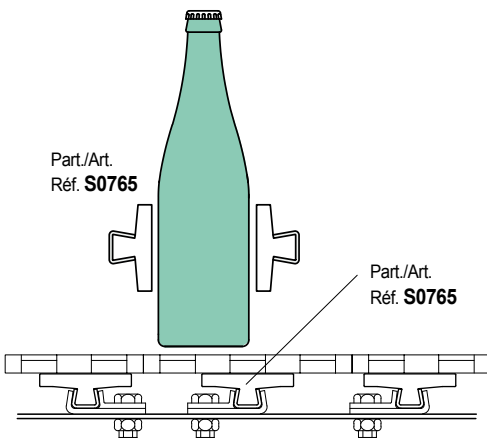
- **Use of Part. S0273**  
Rugged containers with delicate surface (ex. decorated glass bottles).  
Can be use in combination with Part. S0605.



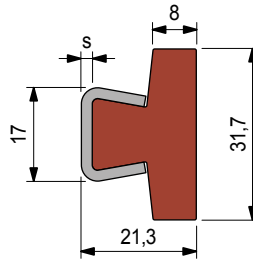
• **Deflection of Part. S0273**



- **Use of Part. S0765**  
Rugged containers with delicate surface (ex. decorated glass bottles).



■ **Guide rail (extra-flat)**



Thickness S mm	Metal profile material	Length metres	Code	Weight kg/m
<b>Plastic profile in polyethylene UHMWPE (white)</b>				
2	Austenitic stainless steel	3	<b>66791</b>	0,76
		6	<b>67602</b>	
<b>Plastic profile in polyethylene ULF (brown red)</b>				
2	Austenitic stainless steel	3	<b>UL643883</b>	0,76
		6	<b>UL643983</b>	

- Antistatic polyethylene UHMWPE (black) available upon request with minimum quantities.
- Min. curvature radius: 160 mm.
- Linear expansion coefficient:  $4 \times 10^{-5} \text{ } ^\circ\text{C}^{-1}$ .
- Calculation of thermal expansion see Technical information.
- Packaging: 24 metres (in 3 m length 10Ft).  
48 metres (in 6 m length).
- Accessories:

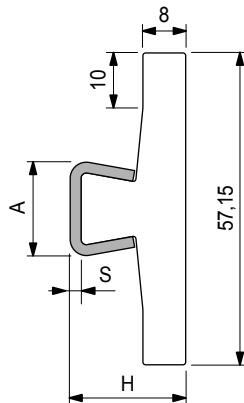


Guide - Rail Clamps.



Guide rail bending machine (manual) Part. S0218.

■ **Guide rail (extra-flat)**



S mm	H mm	A mm
1,5	20,5	16
2	21	17

Thickness S mm	Metal profile material	Length metres	Code	Weight kg/m
1,5	Austenitic stainless steel	3	<b>608943N</b>	0,95
		6	<b>608953N</b>	
2	Zinc plated steel	3	<b>608963N</b>	1,06
	Austenitic stainless steel	3	<b>608973N</b>	
		6	<b>608983N</b>	

- Colour: white.
- Antistatic polyethylene UHMWPE (black) available upon request with minimum quantities.
- Min. curvature radius: 200 mm.
- Linear expansion coefficient:  $4 \times 10^{-5} \text{ } ^\circ\text{C}^{-1}$ .
- Calculation of thermal expansion see Technical information.
- Packaging: 24 metres.
- Accessories:

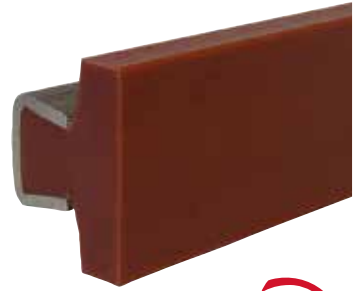


Guide - Rail Clamps.



Guide rail bending machine (manual) Part. S0218.

## Part. S0273



## Part. S0765



● Best Seller

● Standard

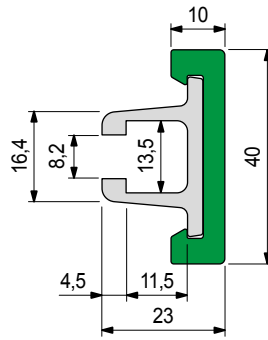
● On request: minimum quantity may apply. Consult our Customer Service for availability.

Item code for order = Part. + Code

Part. **S0422**



■ Guide rail (extra flat)



Metal profile material	Length metres	Code	Weight kg/m
Austenitic stainless steel	3	<b>65248M</b>	0,70
	6	<b>65258M</b>	

- Use: rugged containers.
- Material: plastic profile in polyethylene UHMWPE (green).
- State of supply: the plastic and metal profiles are supplied assembled.
- Plastic Profile spare part. (green): S088568309 (6 metres).
- Plastic Profile spare part. (ULF): S0885648423 (6 metres).
- Metal Profile in Anodized aluminium spare part: S0884608662 (3 metres).
- Min. curvature radius: 280 mm.
- Packaging: 24 metres.
- Accessories:

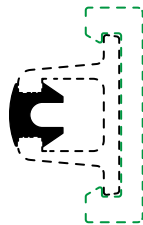


Guide rail bending machine (manual)  
Part. S0218.

Part. **S0370**



■ Sealing profile



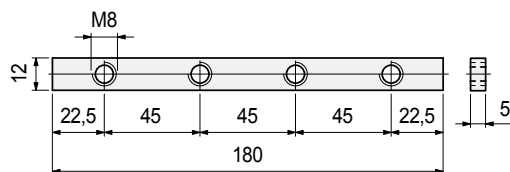
Material	Packaging metres	Code
Rubber EPDM 80 (black)	20	<b>61036</b>

- Use: when applied to the metal profile, this product improves guide cleanliness.
- Standard packaging: coil.

Part. **S0369**



■ Connecting bar

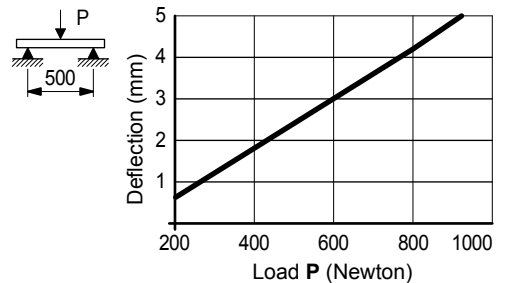


Material	Code	Weight kg/m
Zinc plated steel	<b>69995</b>	0,10

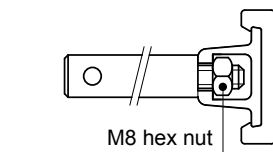
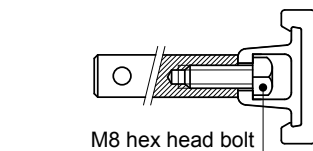
- Packaging: 8 pieces.

- **Material:** Polyethylene UHMWPE with molecular density 5.600.000 g/mol.  
Characteristics: new material Polyethylene ULF brown red (UHMWPE): reduced friction coefficient, higher wear resistance.
- **Linear expansion coefficient:**  $2 \times 10^{-4} \text{ } ^\circ\text{C}^{-1}$   
Calculation of thermal expansion see Technical information.
- **Operating temperature Green Black:**  
In air (- 40 to + 80 °C).  
In hot water (+ 70 °C).
- **Operating temperature ULF - brown red:**  
In air (- 40 to + 45 °C).  
In hot water (+ 45 °C).
- **Polyethylene ULF is FDA approved**  
Polyethylene ULF complies with the Code of Federal Regulations Title 21, § 177.1520 "Olefin Polymers" of the Food and Drug Administration (FDA) of April 1, 2008.
- **Position of guides.** See Technical information.

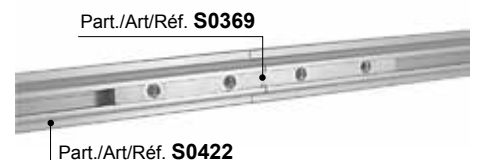
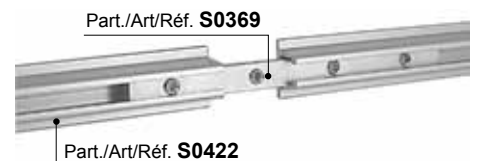
• Deflection



• Fixing of Part. S0422



- **Assembly of Part. S0369**  
Insert the guides and tighten the set screws.



● Best Seller

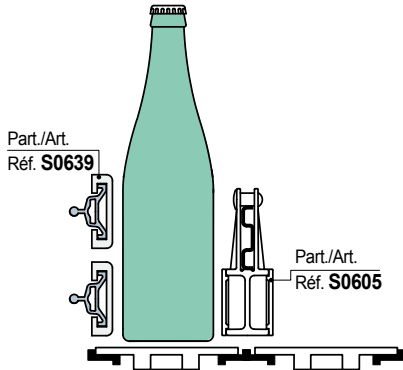
● Standard

● On request: minimum quantity may apply. Consult our Customer Service for availability.

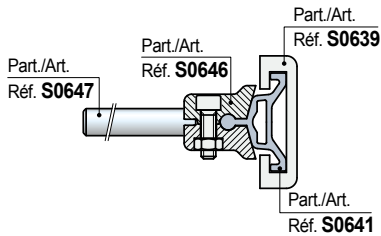
Item code for order = Part. + Code

**• Use of Part. S0639**

Rugged containers with delicate surface (for example decorated glass bottles). Can be used in combination with Part. S0605.

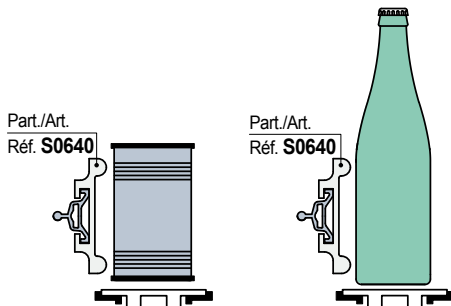


**• Assembly of Part. S0639**

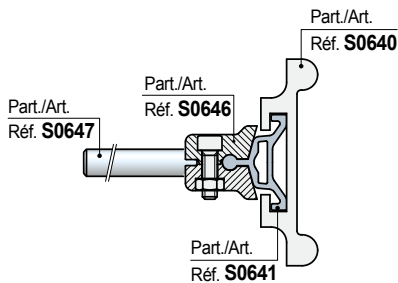


**• Use of Part. S0640**

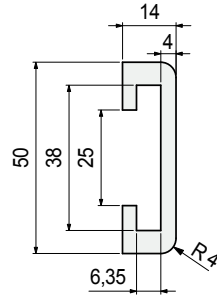
Medium strength containers (ex: latten, glass).



**• Assembly of Part. S0640**

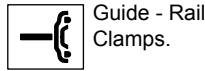


**■ Guide rail**

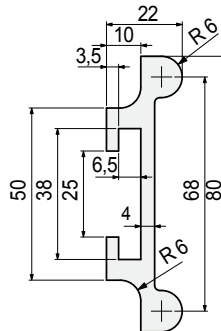


Material	Length metres	Code
UHMWPE		
Black	3	652252

- Linear expansion coefficient:  $2 \times 10^{-4} \text{ } ^\circ\text{C}^{-1}$ .
- Calculation of thermal expansion see Technical information.
- Packaging: 36 metres.
- Accessories:

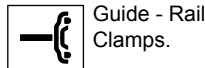


**■ Guide rail**

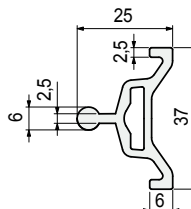


Material	Length metres	Code
UHMWPE		
Black	3	652262

- Linear expansion coefficient:  $2 \times 10^{-4} \text{ } ^\circ\text{C}^{-1}$ .
- Calculation of thermal expansion see Technical information.
- Packaging: 36 metres.
- Accessories:

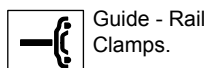


**■ Metal profile**

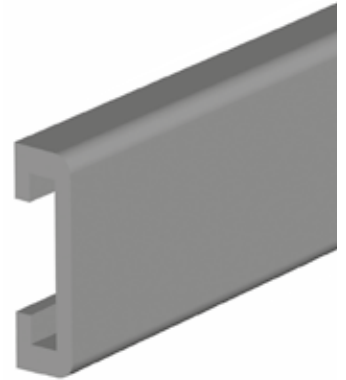


Metal profile material	Length metres	Code
Anodized aluminium	3	652272
	6	652282

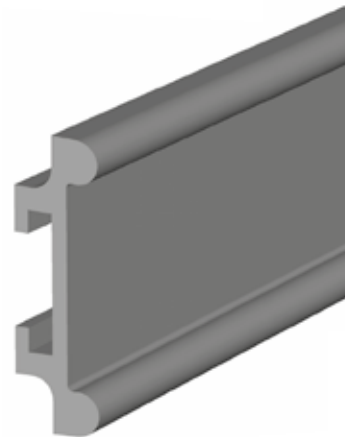
- Packaging: 36 metres.
- Accessories:



## Part. S0639



## Part. S0640



## Part. S0641

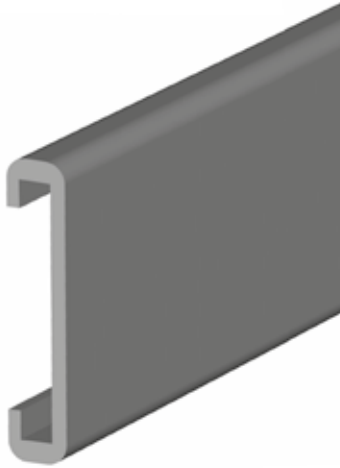


- Best Seller
- Standard
- On request: minimum quantity may apply. Consult our Customer Service for availability.

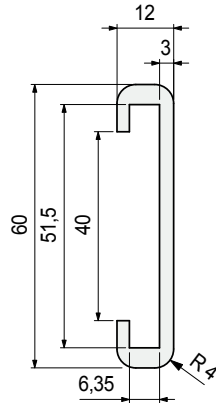
Item code for order = Part. + Code



Part. **S0642**



■ Guide rail (extra flat)



Material	Length metres	Code
UHMWPE		
Black	3	<b>652292</b>

- Linear expansion coefficient:  $2 \times 10^{-4} \text{ } ^\circ\text{C}^{-1}$ . Calculation of thermal expansion see Technical information.
- Packaging: 36 metres.
- Accessories:

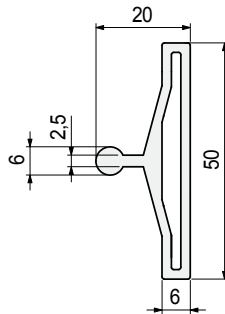


Metal profile  
Part. S0643.

Part. **S0643**



■ Metal profile



Metal profile material	Length metres	Code
Anodized aluminium	3	<b>652302</b>
	6	<b>652312</b>

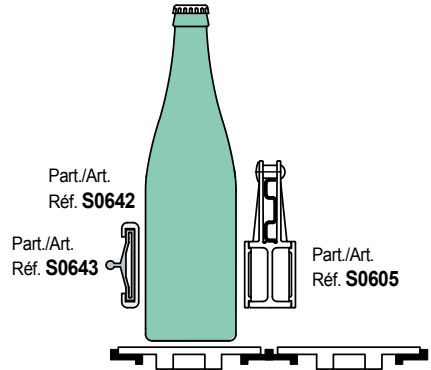
- Can be used in combination with Part. S0642.
- Packaging: 36 metres.
- Accessories:



Guide - Rail  
Clamps.

• Use of Part. S0642 - S0643

Rugged containers with delicate surface (for example decorated glass bottles). Can be used in combination with Part. S0605.



● Best Seller

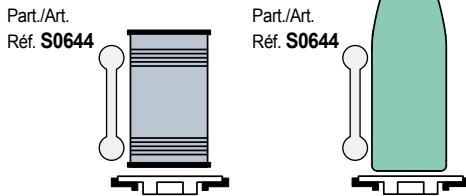
● Standard

● On request: minimum quantity may apply. Consult our Customer Service for availability.

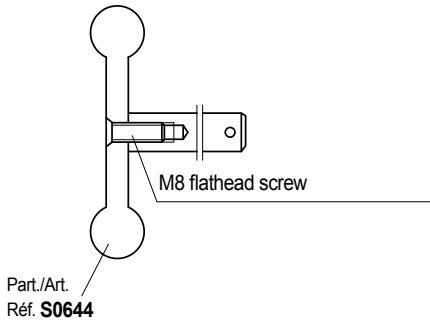
Item code for order = Part. + Code

### • Use of Part. S0644

Medium strength containers (ex: latten, glass).

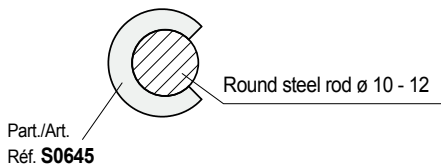


### • Fixing of Part. S0644



### • Use of Part. S0645

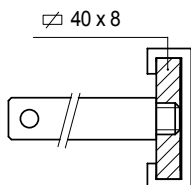
Protection of round steel rods



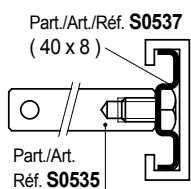
### • Fixing of Part. S0539

Assembly / disassembly

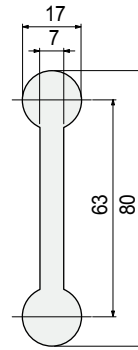
- Fixing with plate.



- Fixing with metal profile Part. S0537.



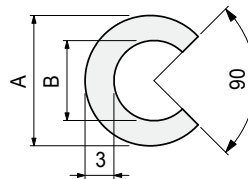
### ■ Guide rail



Material	Length metres	Code
UHMWPE		
Black	3	<b>652322</b>
Green	3	<b>652332</b>

- Linear expansion coefficient:  $2 \times 10^{-4} \text{ } ^\circ\text{C}^{-1}$ . Calculation of thermal expansion see Technical information.
- Packaging: 36 metres.

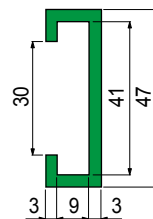
### ■ Profile for round steel rods



Material	Use	A mm	B mm	Code
UHMWPE				
White	for rod ø 10	14	9	<b>652342</b>
	for rod ø 12	17	11	<b>652352</b>

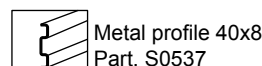
- Linear expansion coefficient:  $2 \times 10^{-4} \text{ } ^\circ\text{C}^{-1}$ .
- Standard packaging: coil.
- Packaging: 50 metres.

### ■ Guide rail (extra flat)



Material	Length metres	Code	Weight kg/m
Black	3	<b>689301</b>	0,23
	6	<b>689321</b>	
Green	3	<b>689291</b>	
	6	<b>689311</b>	

- Material: Polyethylene PE 500.000.
- Linear expansion coefficient:  $2,5 \times 10^{-4} \text{ } ^\circ\text{C}^{-1}$ . Calculation of thermal expansion see Technical information.
- Packaging: 48 metres (in 3 m length). 96 metres (in 6 m length).
- Accessories:



## Part. S0644



## Part. S0645



## Part. S0539



● Best Seller

● Standard

● On request: minimum quantity may apply. Consult our Customer Service for availability.

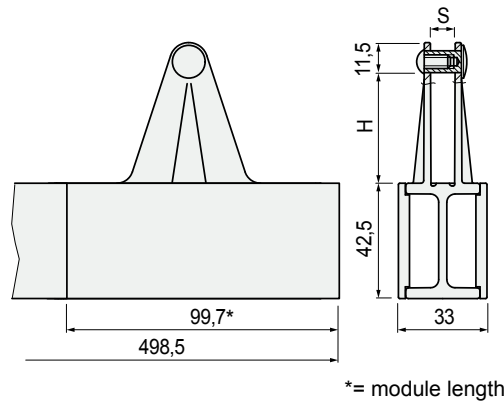
Item code for order = Part. + Code

Part. **S0605**



Sideflexing

■ Guide rail (extra flat)



\*= module length

Version	H mm	S mm	Code	Weight kg/m
For 30x6 plate	30	6	613602	0,96
For 40x8 plate	40	8	613612	

- Use: glass containers without side load. Can be used both straight run and sideflexing.
- Can be used in combination with Part. S0273 - S0356 - S0422 - S0539 - S0639 - S0642.
- Material: frame in acetal POM (black). Low friction plates in acetal POM (white).
- Min. curvature radius: 335 mm.
- Standard packaging: strands of 0,498 metres (N 5 modules).
- Packaging: 4,5 metres (N 9 strands).
- Accessories:



Divider module Part. S0730



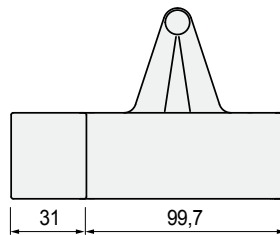
Metal profile 40x8 Part. S0537

Accessories

Part. **S0606**



■ Metal profile

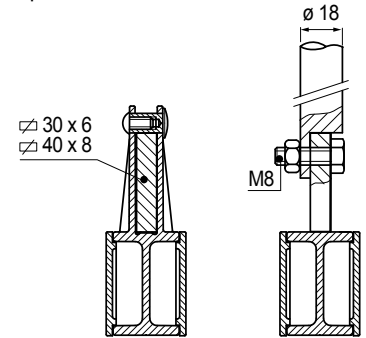


Version	Code	Weight kg
For 30x6 plate	613642	0,13
For 40x8 plate	613652	

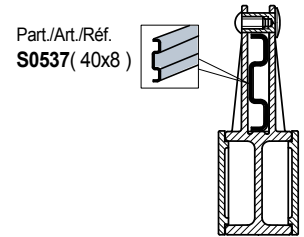
- Material: frame in acetal POM (black). Low friction plates in acetal POM (white). Separation block in polyethylene PE (black).
- Packaging: 2 pieces.

• Fixing of Part. S0605  
Assembly / disassembly

- Fixing with plate.

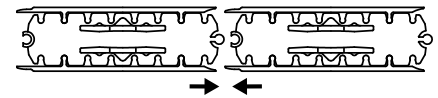


- Fixing with metal profile Part. S0537.



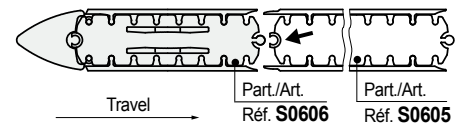
• Modular system

The guide consists of modules with snap-on assembly.



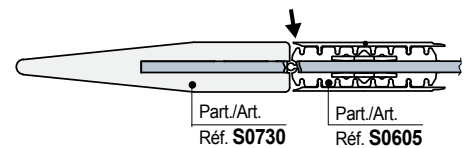
• Assembly of Part. S0606

Guide position Part. S0605 to allow assembly with divider module.



• Assembly of Part. S0730

Guide position (Part. S0605) to allow assembly with divider module Part. S0730.

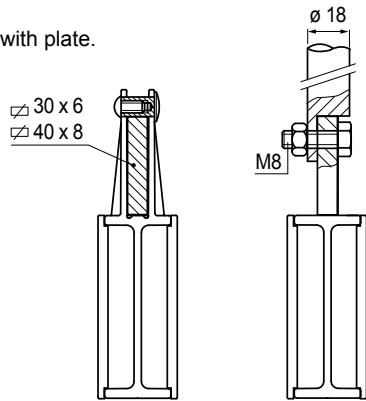


- Best Seller
- Standard
- On request: minimum quantity may apply. Consult our Customer Service for availability.

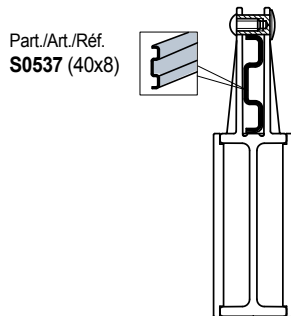
Item code for order = Part. + Code

**Fixing of Part. S0605**  
Assembly / disassembly

- Fixing with plate.

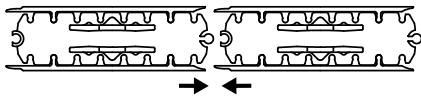


- Fixing with metal profile Part. S0537.



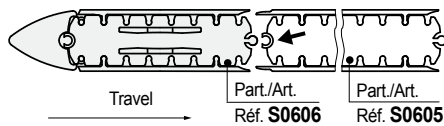
**Modular system**

The guide consists of modules with snap-on assembly.



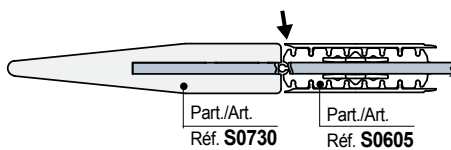
**Assembly of Part. S0606**

Guide position Part. S0605 to allow assembly with divider module.

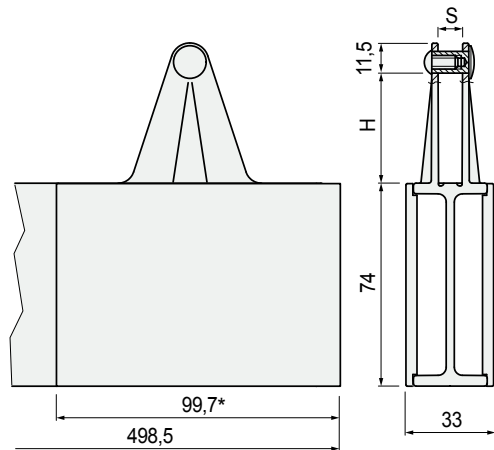


**Assembly of Part. S0730**

Guide position (Part. S0605) to allow assembly with divider module Part. S0730.



**Guide rail (extra flat)**



\*= module length

Version	H mm	S mm	Code	Weight kg/m
For 30x6 plate	30	6	613622	1,38
For 40x8 plate	40	8	613632	

- Use: glass containers without side load.
- Can be used both straight run and sideflexing.
- Can be used in combination with Part. S0273 - S0356 - S0422 - S0539 - S0639 - S0642.
- Material: frame in acetal POM (black).
- Low friction plates in acetal POM (white).
- Min. curvature radius: 335 mm.
- Standard packaging: strands of 0,498 metres (N 5 modules).
- Packaging: 4,5 metres (N 9 strands).
- Accessories:

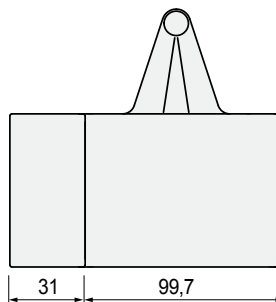


Divider module  
Part. S0730



Metal profile  
40x8  
Part. S0537

**Metal profile**



Version	Code	Weight kg
For 30x6 plate	613662	0,19
For 40x8 plate	613672	

- Material: frame in acetal POM (black).
- Low friction plates in acetal POM (white).
- Separation block in polyethylene PE (black).
- Packaging: 2 pieces.

## Part. S0605



Sideflexing

### Accessories

## Part. S0606



● Best Seller

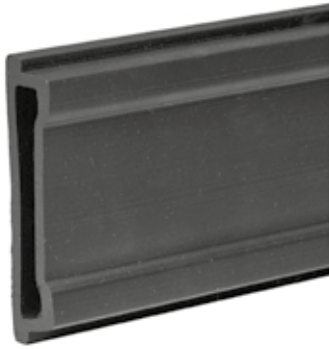
● Standard

● On request: minimum quantity may apply. Consult our Customer Service for availability.

Item code for order = Part. + Code

Part. **S0191**

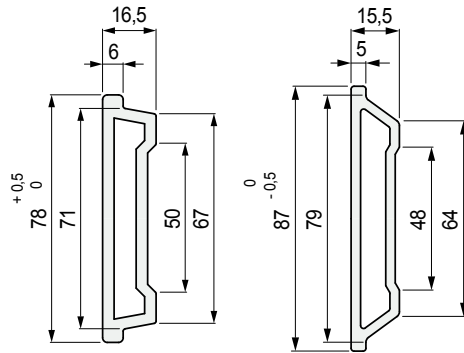
Part. **S0296**



■ Guide rail (extra-large)

Part. S0191

Part. S0296



Material	Length metres	Code	Weight kg/m
Black	3	<b>S019157131</b>	0,60
	6	<b>S019156811</b>	
	3	<b>S029668811</b>	
	6	<b>S0296618291</b>	

- Material: polyethylene PE 500.000.
- Min. curvature radius: 200 mm.
- Linear expansion coefficient:  $2,5 \times 10^{-4} \text{ } ^\circ\text{C}^{-1}$ .  
Calculation of thermal expansion see Technical information.
- Packaging: 30 metres (in 3 m length).  
60 metres (in 6 m length).
- Accessories:



Guide - Rail Clamps.



Guide rail bending machine (manual) Part. S0218.

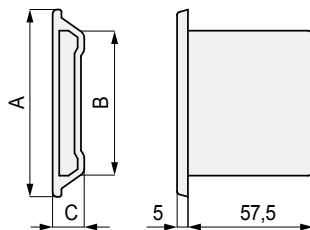
Accessories

Part. **S0376**

Part. **S0377**



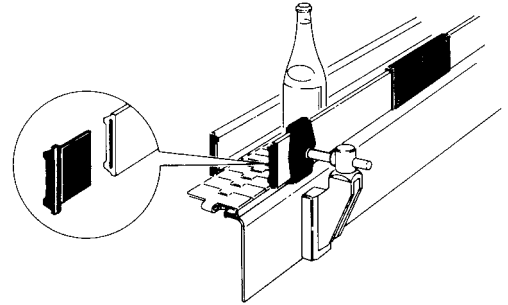
■ End plug



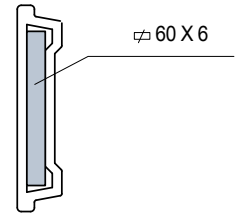
Use	A mm	B mm	C mm	Code
Applicable to Part. S0191	77	65,3	15,5	<b>S037663626</b>
Applicable to Part. S0296	86	63,8	14,5	<b>S037763636</b>

- Material: reinforced polypropylene PP FV (black).
- Packaging: 50 pieces.

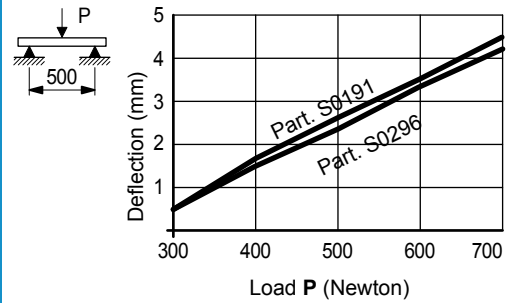
• Use of Part. S0191 - S0296



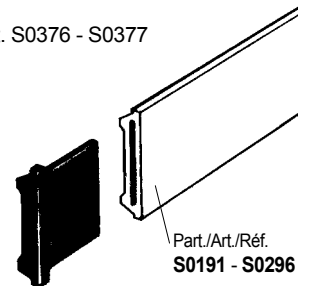
- The guide rails must be used with a 60 x 6 plate



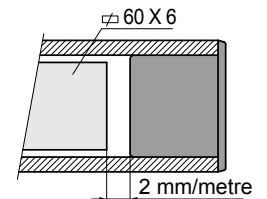
• Deflection of Part. S0191 - S0296



- Assembly of Part. S0376 - S0377  
Press-fit.  
Seal with silicon.



- Leave a gap between the plug and the plate to allow for contraction at low temperatures.



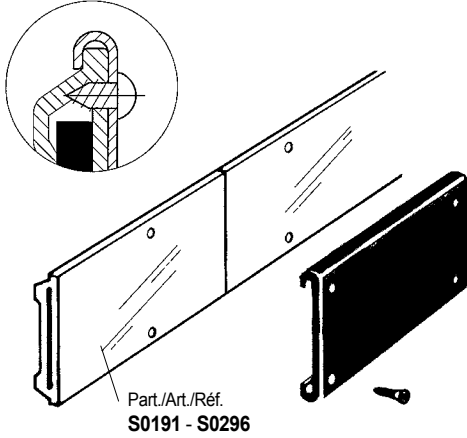
● Best Seller

● Standard

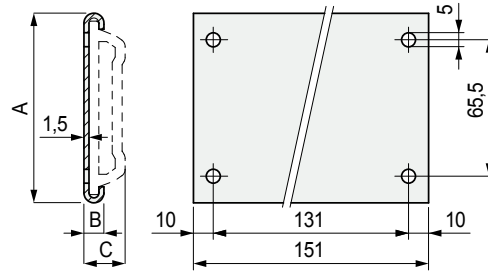
● On request: minimum quantity may apply. Consult our Customer Service for availability.

Item code for order = Part. + Code

• **Assembly of Part. S0378 - S0379**  
 Assembly with self-tapping screws  
 4,8 x 9,5 DIN 7970



## Joint clamp



Use	A mm	B mm	C mm	Code
Applicable to Part. S0191	81,5	9	18	<b>S037863646</b>
Applicable to Part. S0296	90	8	17	<b>S037963656</b>

- Material: clamp and fixing screws in austenitic stainless steel.
- Standard packaging: 50 pieces complete with fixing screws.

## Accessories

**Part. S0378**  
**Part. S0379**



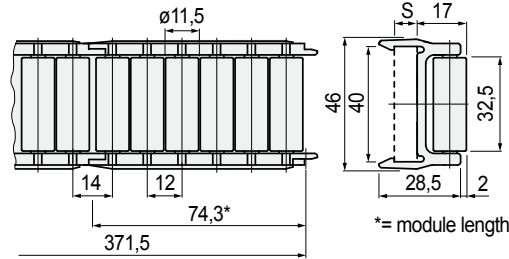
- Best Seller
- Standard
- On request: minimum quantity may apply. Consult our Customer Service for availability.

Item code for order = Part. + Code

Part. **S0581**



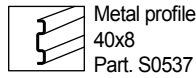
■ Roller side guide



Sideflexing

Version	S mm	Code	Weight kg/m
For 40x8 plate	6	<b>603322</b>	0,62
For 40x10 plate	8	<b>673952</b>	

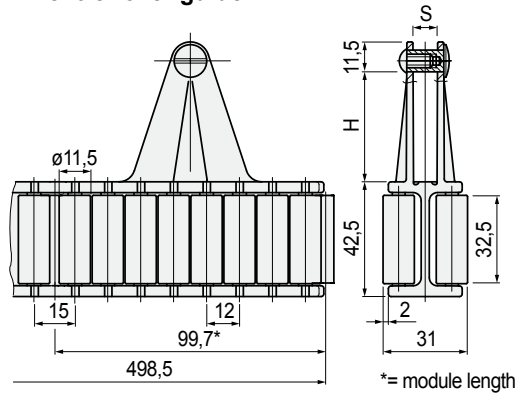
- Material: frame in acetal POM (black), rollers in Polyethylene PE (white).
- Standard packaging: strands of 0,371 metres (5 modules).
- Packaging: 4,5 metres (12 strands).
- Accessories:



Part. **S0585**



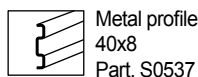
■ Centre roller guide



Sideflexing

Version	H mm	S mm	Code	Weight kg/m
For 30x6 plate	30	6	<b>603492N</b>	1,24
For 40x8 plate	40	8	<b>603502N</b>	

- Can be used in combination with Part. S0581.
- Material: frame in acetal POM (black), rollers in Polyethylene PE (white).
- Min. curvature radius: 335 mm.
- Standard packaging: strands of 0,498 metres (5 modules).
- Packaging: 4,5 metres (9 strands).
- Accessories:



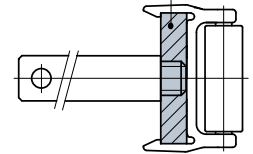
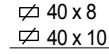
• Use of Part. S0581- S0585

For thin walled and delicate containers (like aluminium cans, PET bottles, decorated card-board).

• Fixing of Part. S0581

Snap-on assembly / disassembly

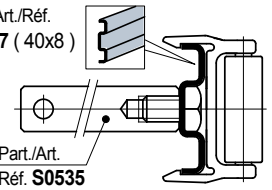
- Fixing with plate.



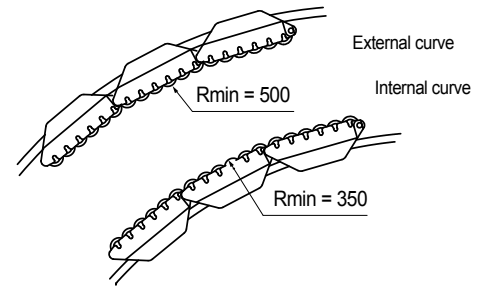
- Fixing with metal profile Part. S0537.

Part./Art./Réf.  
**S0537 (40x8)**

Part./Art.  
Réf. **S0535**



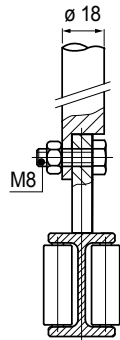
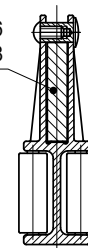
• Min. curvature radius Part. S0581



• Fixing of Part. S0585

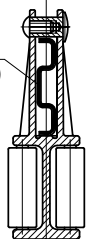
Assembly / disassembly.

- Fixing with plate.



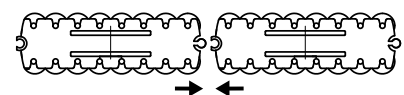
- Fixing with metal profile Part. S0537.

Part./Art./Réf.  
**S0537 (40x8)**



• Modular system Part. S0581 - S0585

The guide consists of modules with snap-on assembly.



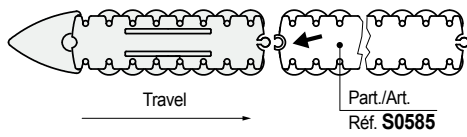
● Best Seller

● Standard

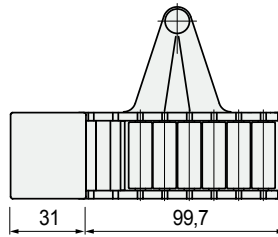
● On request: minimum quantity may apply. Consult our Customer Service for availability.

Item code for order = Part. + Code

• **Assembly of Part. S0586**  
 Guide position (Part. S0585) to allow assembly with divider module.



## ■ Divider module



## Part. S0586



Version	Code	Weight kg
For 30x6 plate	<b>603552N</b>	0,15
For 40x8 plate	<b>603562N</b>	

- Material: frame in acetal POM (black), rollers in Polyethylene PE (white). Separation block in polyethylene PE (black).
- Packaging: 2 pieces.

- Best Seller
- Standard
- On request: minimum quantity may apply. Consult our Customer Service for availability.

Item code for order = Part. + Code

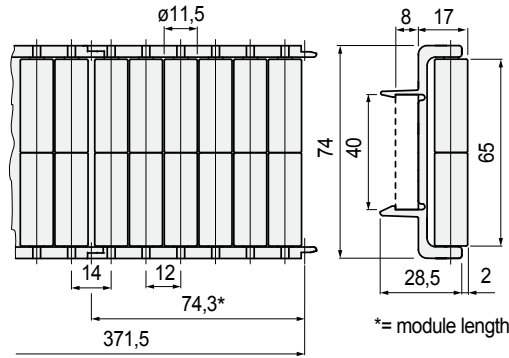


Part. **S0581**



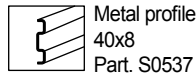
Sideflexing

Roller side guide



Version	Code	Weight kg
For 40x8 plate	<b>603312</b>	1,01

- Material: frame in acetal POM (black), rollers in Polyethylene PE (white).
- Standard packaging: strands of 0,371 metres (5 modules).
- Packaging: 4,5 metres (12 strands).
- Accessories:

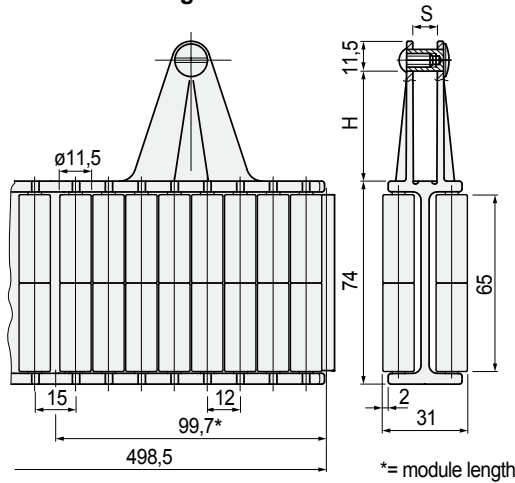


Part. **S0585**



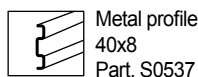
Sideflexing

Centre roller guide



Version	H mm	S mm	Code	Weight kg/m
For 30x6 plate	30	6	<b>603512</b>	2,0
For 40x8 plate	40	8	<b>603522</b>	

- Can be used in combination with Part. S0581.
- Material: frame in acetal POM (black), rollers in Polyethylene PE (white).
- Min. curvature radius: 335 mm.
- Standard packaging: strands of 0,498 metres (5 modules).
- Packaging: 4,5 metres (9 strands).
- Accessories:



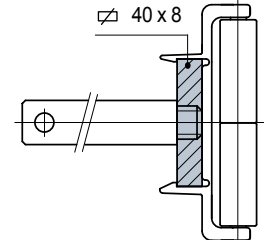
Use of Part. S0581- S0585

For thin walled and delicate containers (like aluminium cans, PET bottles, decorated card-board).

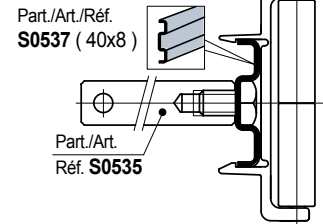
Fixing of Part. S0581

Snap-on assembly / disassembly

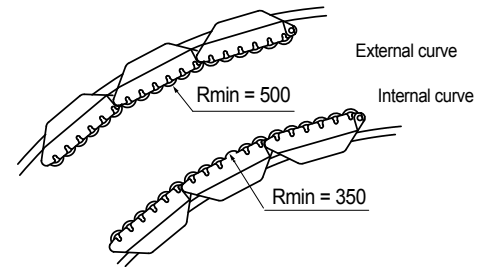
- Fixing with plate.



- Fixing with metal profile Part. S0537.



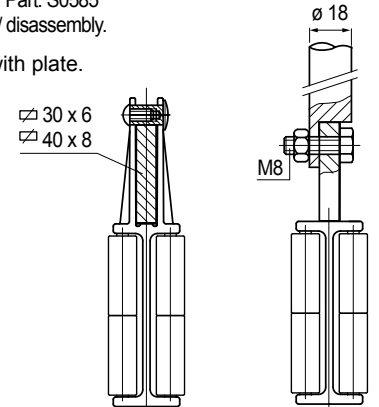
Min. curvature radius Part. S0581



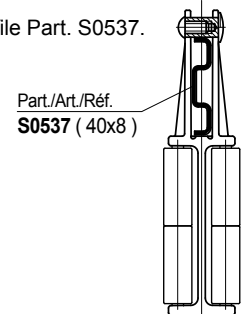
Fixing of Part. S0585

Assembly / disassembly.

- Fixing with plate.

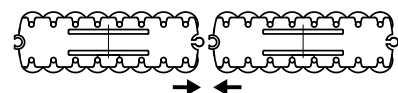


- Fixing with metal profile Part. S0537.



Modular system Part. S0581 - S0585

The guide consists of modules with snap-on assembly.



Best Seller

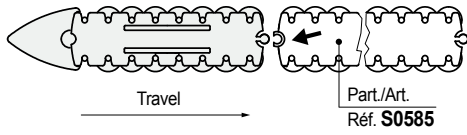
Standard

On request: minimum quantity may apply. Consult our Customer Service for availability.

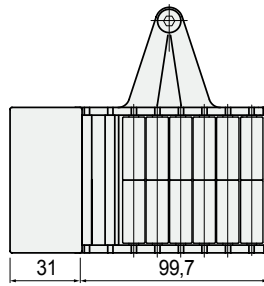
Item code for order = Part. + Code

• **Assembly of Part. S0586**

Guide position (Part. S0585) to allow assembly with divider module.



■ **Divider module**



## Part. S0586



Version	Code	Weight kg
For 30x6 plate	603572	0,24
For 40x8 plate	603582	

- Material: frame in acetal POM (black), rollers in Polyethylene PE (white). Separation block in polyethylene PE (black).
- Packaging: 2 pieces.

- Best Seller
- Standard
- On request: minimum quantity may apply. Consult our Customer Service for availability.

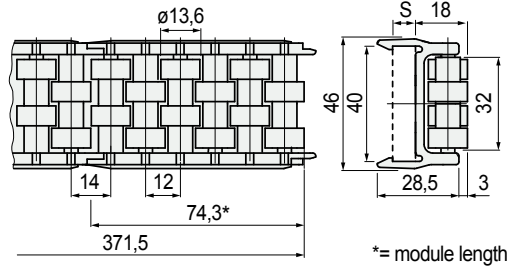
Item code for order = Part. + Code

Part. **S0580**



Sideflexing

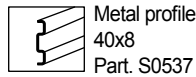
■ Roller side guide



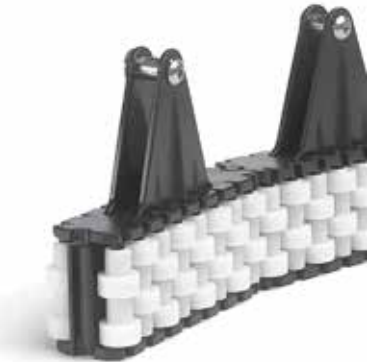
\*= module length

Version	S mm	Code	Weight kg/m
For 40x8 plate	8	<b>603302</b>	0,61
For 40x10 plate	10	<b>611772</b>	

- Material: frame in Acetal POM (black), rollers in Acetal POM (white).
- Standard packaging: strands of 0,371 metres (5 modules).
- Packaging: 4,5 metres (12 strands).
- Accessories:

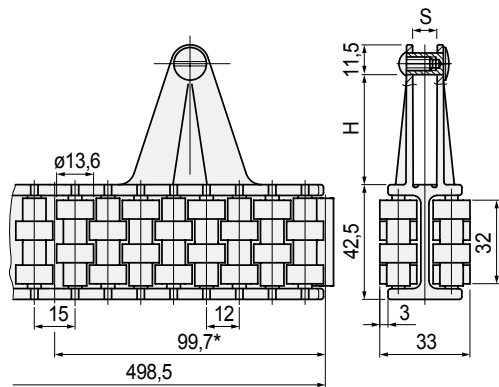


Part. **S0557**



Sideflexing

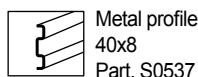
■ Centre roller guide



\*= module length

Version	H mm	S mm	Code	Weight kg/m
For 30x6 plate	30	6	<b>695501N</b>	1,22
For 40x8 plate	40	8	<b>695991N</b>	

- Can be used in combination with Part. S0580.
- Material: frame in Acetal POM (black), rollers in Acetal POM (white).
- Min. curvature radius: 335 mm.
- Standard packaging: strands of 0,498 metres (5 modules).
- Packaging: 4,5 metres (9 strands).
- Accessories:

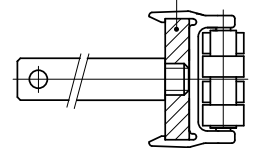


• Fixing of Part. S0580

Snap-on assembly / disassembly

- Fixing with plate.

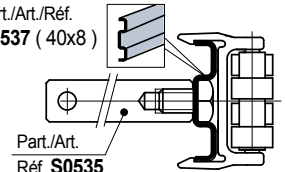
- ▧ 40 x 8
- ▧ 40 x 10



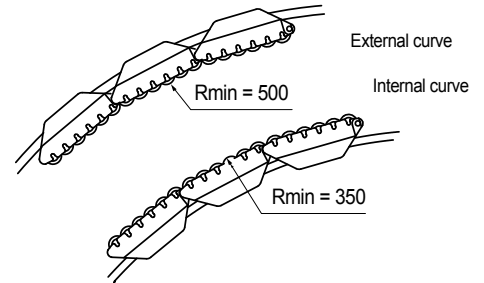
- Fixing with metal profile Part. S0537.

Part./Art./Réf. **S0537 (40x8)**

Part./Art. Réf. **S0535**



• Min. curvature radius Part. S0580

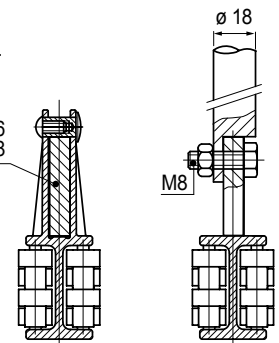


• Fixing of Part. S0557

Assembly / disassembly.

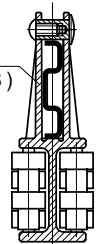
- Fixing with plate.

- ▧ 30 x 6
- ▧ 40 x 8



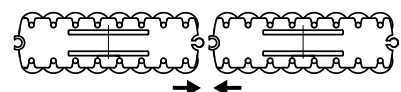
- Fixing with metal profile Part. S0537.

Part./Art./Réf. **S0537 (40x8)**



• Modular system Part. S0580 - S0557

The guide consists of modules with snap-on assembly.



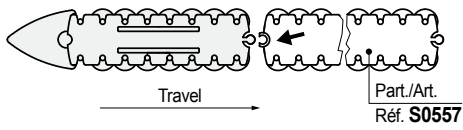
● Best Seller

● Standard

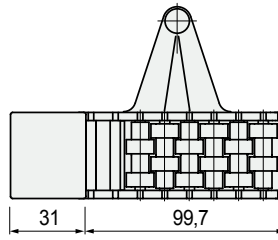
● On request: minimum quantity may apply. Consult our Customer Service for availability.

Item code for order = Part. + Code

- **Assembly of Part. S0570**  
Guide position (Part. S0557) to allow assembly with divider module.



## ■ Divider module



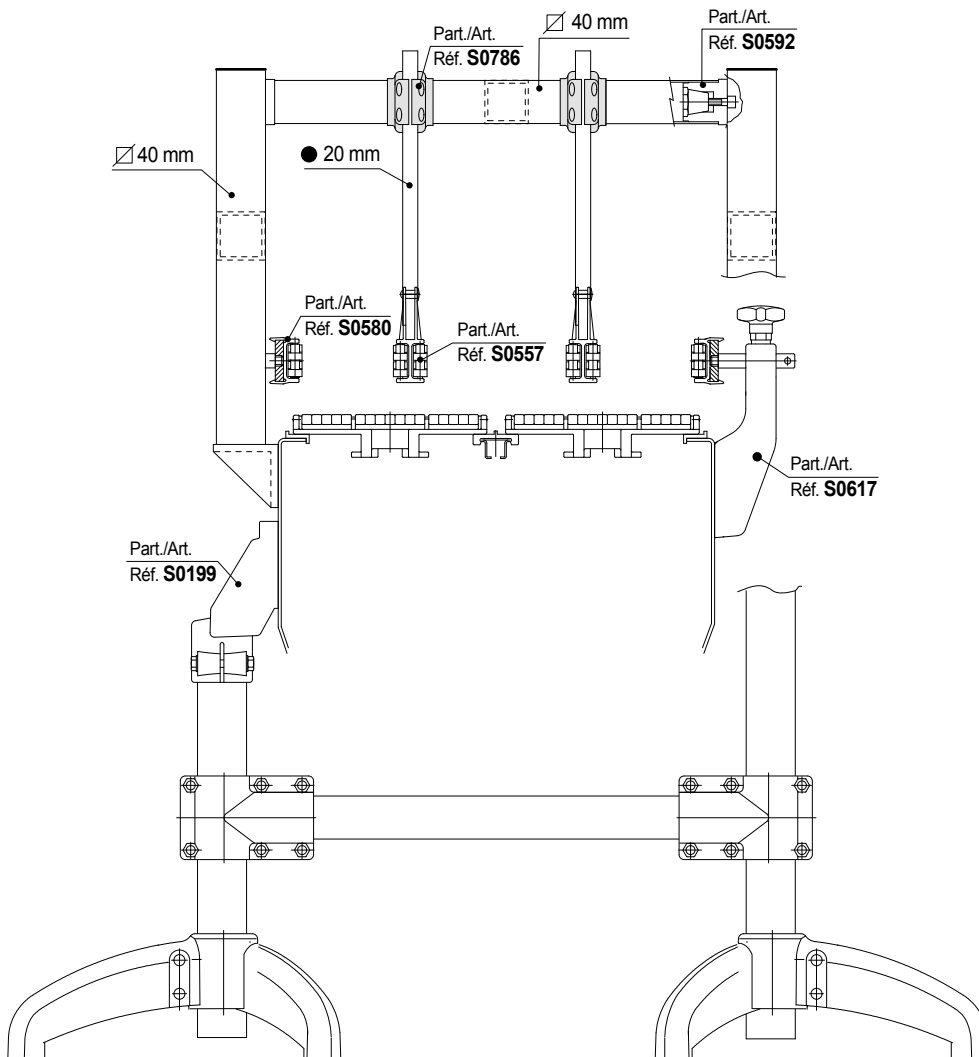
Version	Code	Weight kg
For 30x6 plate	601142N	0,15
For 40x8 plate	601162N	

- Material: frame in Acetal POM (black), rollers in Acetal POM (white). Separation block in polyethylene PE (black).
- Packaging: 2 pieces.

## Part. S0570



- **Use of Part. S0580 - S0557**  
For medium strength containers (tin cans, glass strong aluminium cans).

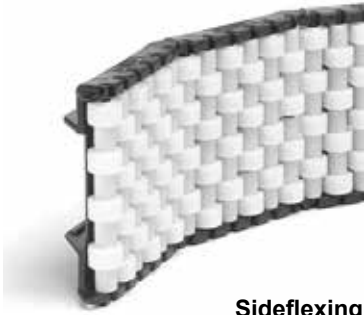


- Best Seller
- Standard
- On request: minimum quantity may apply. Consult our Customer Service for availability.

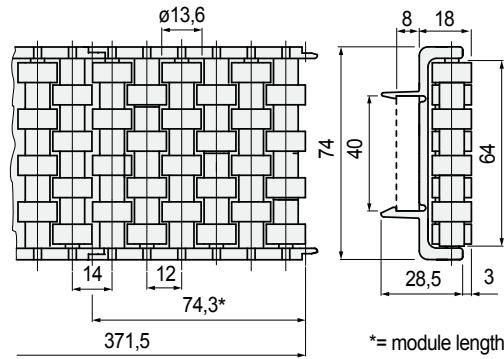
Item code for order = Part. + Code

Part. **S0580**

Roller side guide



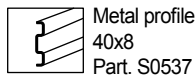
Sideflexing



\*= module length

Version	Code	Weight kg
For 40x8 plate	603292	0,99

- Material: frame in Acetal POM (black), rollers in Acetal POM (white).
- Standard packaging: strands of 0,371 metres (5 modules).
- Packaging: 4,5 metres (12 strands).
- Accessories:

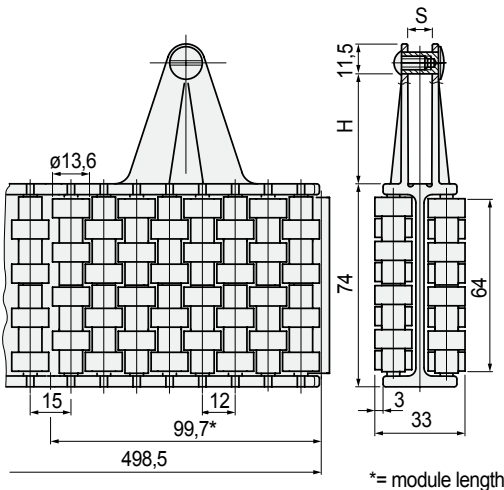


Part. **S0557**

Centre roller guide



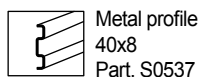
Sideflexing



\*= module length

Version	H mm	S mm	Code	Weight kg/m
For 30x6 plate	30	6	603472	1,96
For 40x8 plate	40	8	603482	

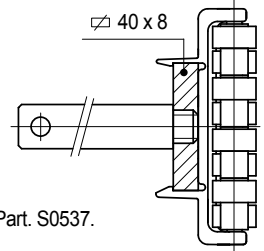
- Can be used in combination with Part. S0580.
- Material: frame in Acetal POM (black), rollers in Acetal POM (white).
- Min. curvature radius: 335 mm.
- Standard packaging: strands of 0,498 metres (5 modules).
- Packaging: 4,5 metres (9 strands).
- Accessories:



- Use of Part. S0580 - S0557 For medium strength containers (tin cans, glass, strong aluminium cans).

- Fixing of Part. S0580 Snap-on assembly / disassembly

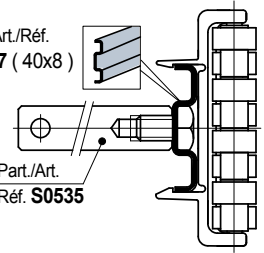
- Fixing with plate.



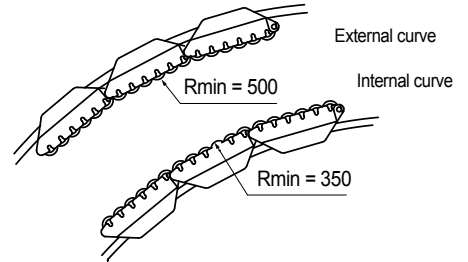
- Fixing with metal profile Part. S0537.

Part./Art./Réf. **S0537** ( 40x8 )

Part./Art. Réf. **S0535**

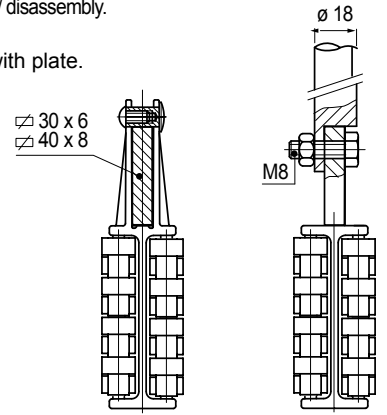


- Min. curvature radius Part. S0580



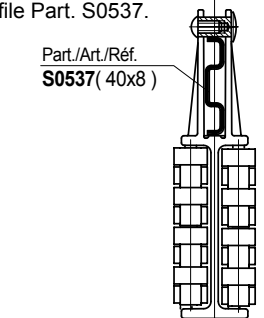
- Fixing of Part. S0557 Assembly / disassembly.

- Fixing with plate.



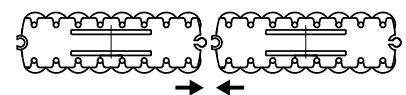
- Fixing with metal profile Part. S0537.

Part./Art./Réf. **S0537**( 40x8 )



- Modular system Part. S0580 - S0557

The guide consists of modules with snap-on assembly.



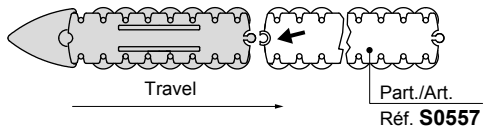
Best Seller

Standard

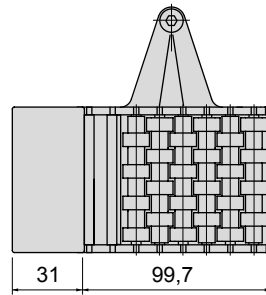
On request: minimum quantity may apply. Consult our Customer Service for availability.

Item code for order = Part. + Code

• **Assembly of Part. S0570**  
 Guide position (Part. S0557) to allow assembly with divider module.



## ■ Divider module



Version	Code	Weight kg
For 30x6 plate	603532	0,24
For 40x8 plate	603542	

- Material: frame in Acetal POM (black), rollers in Acetal POM (white). Separation block in polyethylene PE (black).
- Packaging: 2 pieces.

## Part. S0570



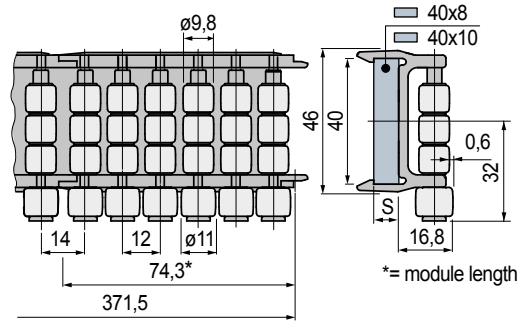
- Best Seller
- Standard
- On request: minimum quantity may apply. Consult our Customer Service for availability.

Item code for order = Part. + Code

Part. **S0733**



■ Roller side guide



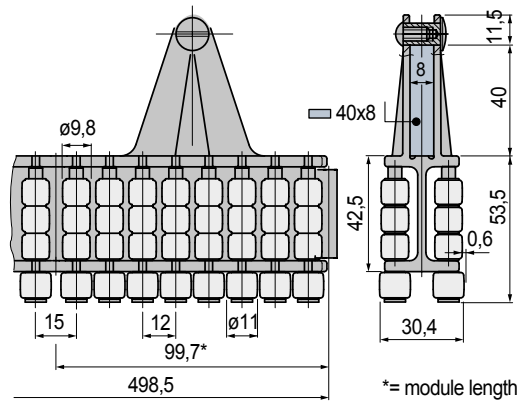
Version	S mm	Code	Weight kg/m
For 40x8 plate	8	693512	0,61
For 40x10 plate	10	693522	

- Material: frame in acetal POM (black). Rollers in Rex-Hp™ (grey).
- Standard packaging: strands of 0,371 metres (5 modules).
- Packaging: 4,5 metres (12 strands).
- Accessories:
  - Metal profile 40x8 Part. S0537

Part. **S0721**



■ Centre roller guide



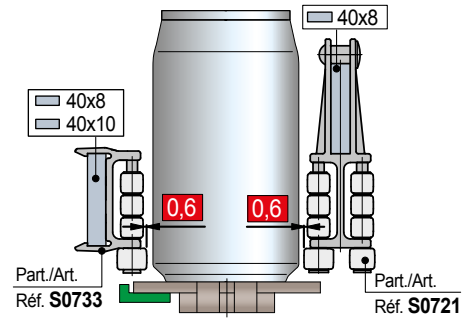
Version	Code	Weight kg
For 40x8 plate	688602	1,24

- Material: frame in acetal POM (black). Rollers in Rex-Hp™ (grey).
- Min. curvature radius: 335 mm.
- Standard packaging: strands of 0,498 metres (5 modules).
- Packaging: 4,5 metres (9 strands).
- Accessories:

- Divider module Part. S0730
- Metal profile 40x8 Part. S0537

• Use of Part.S0733 - S0721

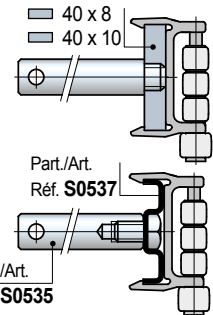
Ideal for thin walled cans and delicate containers. The contact between can and rollers takes place near the can bottom where it is stronger.



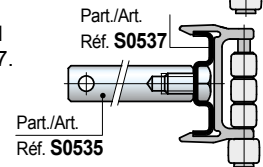
• Fixing of Part. S0733

Snap-on assembly / disassembly.

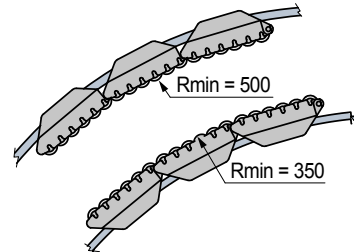
- Fixing with plate.



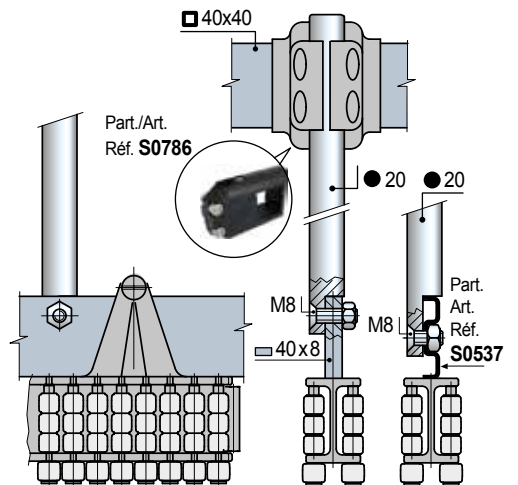
- Fixing with metal profile Part. S0537.



• Min. curvature radius Part. S0733

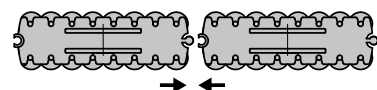


• Fixing of Part. S0721



• Modular system Part. S0733 - S0721

The guide consists of modules with snap-on assembly.



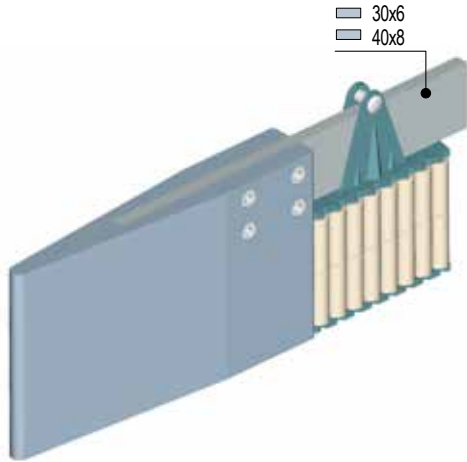
● Best Seller

● Standard

● On request: minimum quantity may apply. Consult our Customer Service for availability.

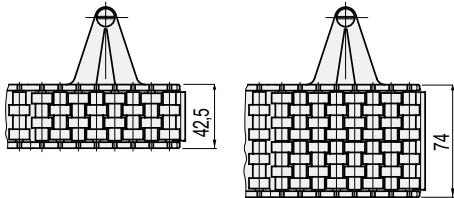
Item code for order = Part. + Code

- Use of Part. S0730  
Applicable to centre guides  
Part. S0557 - S0585 - S0605 - S0721.

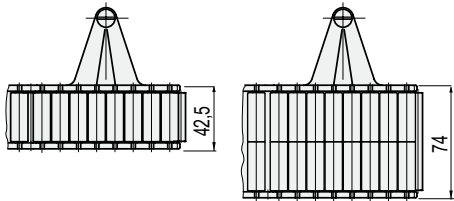


- Types of guides that can be used

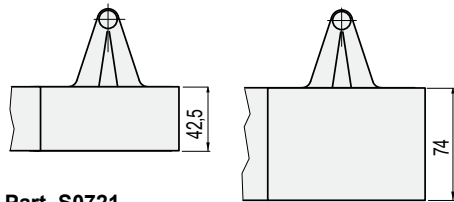
### Part. S0557



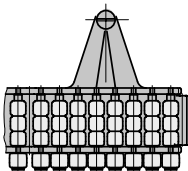
### Part. S0585



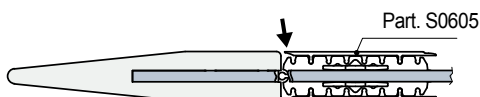
### Part. S0605



### Part. S0721



Guide position (Part. S0605) to allow assembly with separation block.



## ■ Divider module

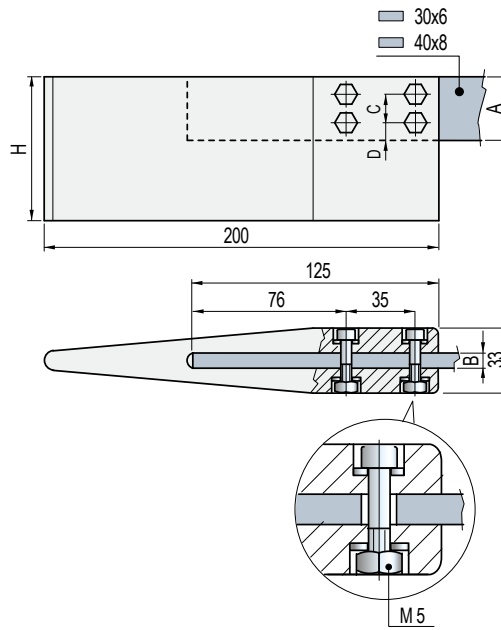


Plate dimensions  
A x B  
mm

Code	H mm	C mm	D mm	Weight Kg	
<b>For Part. S0557 - S0585 - S0605 - S0721 (with height 42,5 mm)</b>					
30x6	689882	72,5	15	7,5	0,4
40x8	689902	82,5	20	10,5	0,5
<b>For Part. S0557 - S0585 - S0605 (with height 74 mm)</b>					
30x6	689892	104	15	7,5	0,6
40x8	689912	114	20	10,5	0,7

- Material: separation block in Polyethylene PE (black).
- Tightening screw and self-locking nut in austenitic stainless steel.
- Packaging: 2 pieces.

## Part. S0730



- Best Seller
- Standard
- On request: minimum quantity may apply. Consult our Customer Service for availability.

Item code for order = Part. + Code



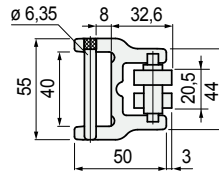
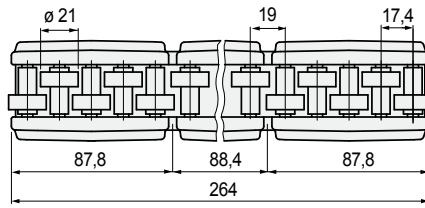
Part. **S0628S**

■ Roller side guide



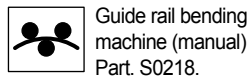
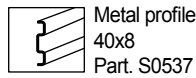
Sideflexing

PATENTED



Version	Code	Weight kg
For 40x8 plate	671981	1,4

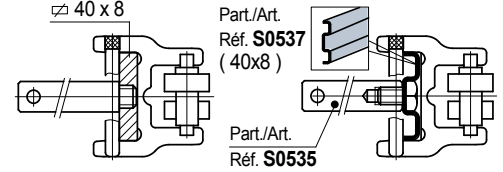
- Both straight and curved sections.
- Material: frame in polyamide PA (black).  
Rollers in acetal POM (white).  
Roller pins in ferritic stainless steel.  
Fixing pins in austenitic stainless steel.
- Standard packaging: strands of 0,264 metres.
- Packaging: 6,336 metres (24 strands).
- Accessories:



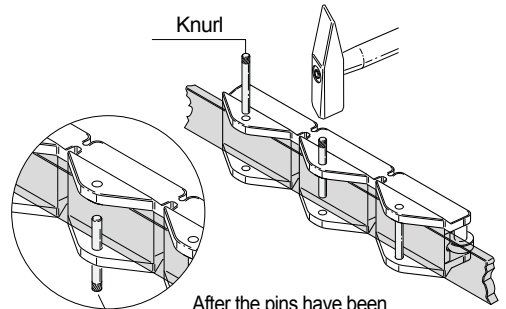
- **Use of Part. S0628 S**  
Rugged containers (ex cases, cartons).

- **Fixing of Part. S0628 S**  
Assembly / disassembly

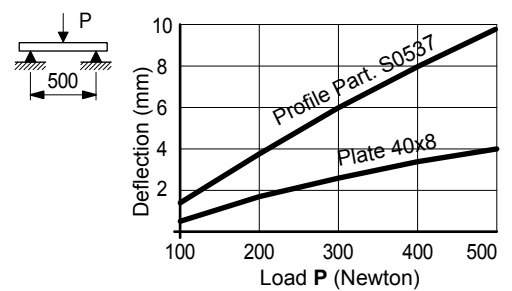
- Fixing with plate.
- Fixing with metal profile Part. S0537.



- **Assembly of Part. S0628 S**

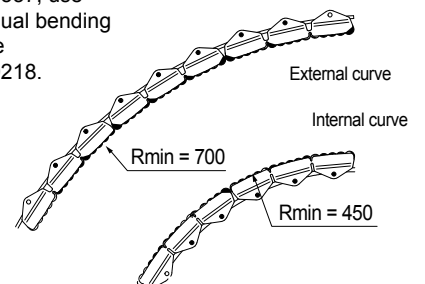


- **Deflection of Part. S0628 S**



- **Min curvature radius Part. S0628 S**

For quick bending of metal profile Part. S0537, use the manual bending machine Part. S0218.

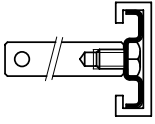


- Best Seller
- Standard
- On request: minimum quantity may apply. Consult our Customer Service for availability.

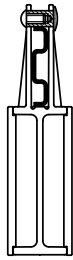
Item code for order = Part. + Code

• Types of guides using our 40x8 metal profile.

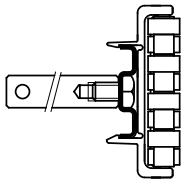
Part. S0539



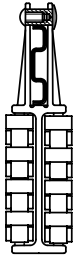
Part. S0605



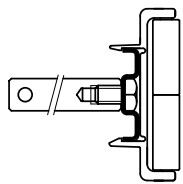
Part. S0580



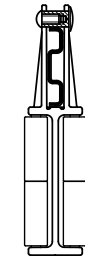
Part. S0557



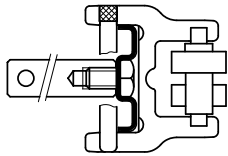
Part. S0581



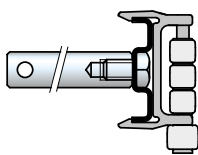
Part. S0585 - S0597



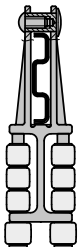
Part. S0628 S



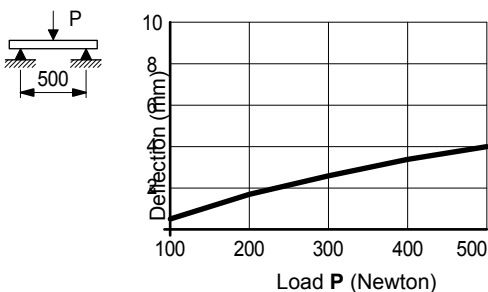
Part. S0733



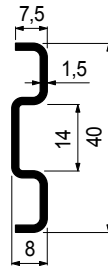
Part. S0721



• Deflection of Part. S0537



## ■ Metal profile 40x8



## Part. S0537



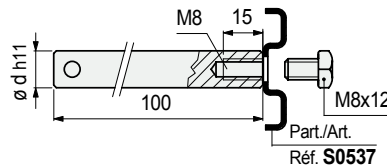
Material	Length L mm	Code
Austenitic stainless	3209	689231
steel	6425	689241

- Min. curvature radius: 500 mm.
- Weight: 0,72 Kg/m.
- Packaging: 19,25 metres (in 3209 mm length), 19,27 metres (in 6425 mm length).
- Accessories:



Guide rail bending machine (manual) Part. S0218.

## ■ Bolts set



## Part. S0535



pin dia. d mm	Code	Weight kg/m
12	684641	0,12
14	684651	

- Material: austenitic stainless steel.
- State of supply: complete with screw M8 x 12.
- Packaging: 24 pieces.

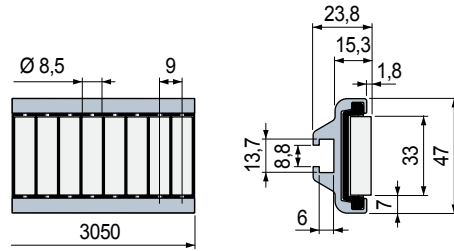
- Best Seller
- Standard
- On request: minimum quantity may apply. Consult our Customer Service for availability.

Item code for order = Part. + Code

Part. **S0757**



■ Roller side guides with cylinder rollers



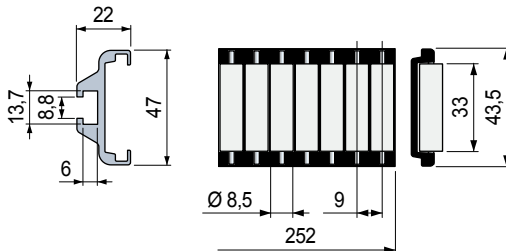
Cylinder rollers material	Code	Weight kg
Polyethylene PE (white)	645083	1,20

- Material: metal profile in anodized aluminium, rollers module in acetal POM (black), roller pins in stainless steel.
- Standard packaging: strands 3,05 metres.
- Packaging: 2 strands.

The roller side guides can be supplied with separated components.

**Metal profile**

**Cylinder roller module**



Length mm	Code	Cylinder rollers material	Code
3050	607933	Polyethylene PE (white)	644613
6100	607943		

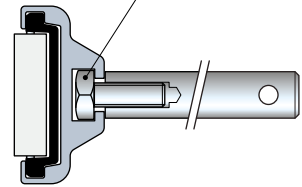
- Material: anodized aluminium.
- Weight: 0,85 Kg/m.
- Packaging: 1 strand.

• **Characteristics** Part. S0757

- Self supporting structure.
- Anodized aluminium profile.
- Quick and easy installation by standard bolts.
- Can be used straight running and sideflexing.

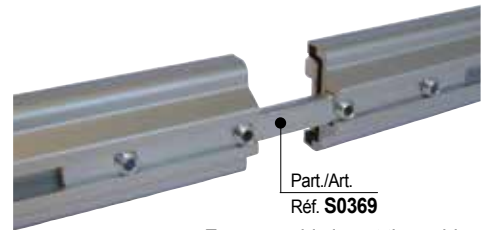
• **Assembly** Part. S0757

**M8 hex head bolt**



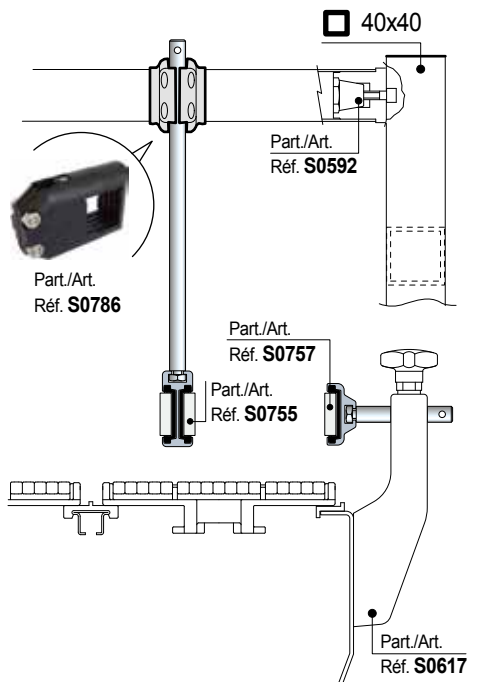
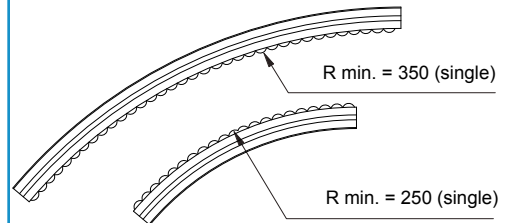
• **Accessories**

Part. S0369 - Connecting bar



For assembly insert the guides and tighten the set screw.

• **Min. curvature radius** Part. S0757



● Best Seller

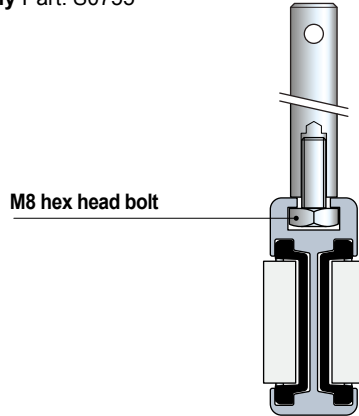
● Standard

● On request: minimum quantity may apply. Consult our Customer Service for availability.

Item code for order = Part. + Code

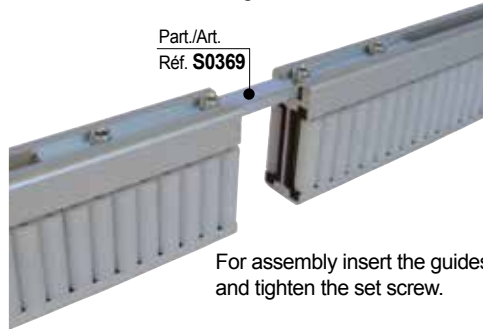
- **Characteristics** Part. S0755
  - Self supporting structure.
  - Anodized aluminium profile.
  - Quick and easy installation by standard bolts.
  - Can be used straight running and sideflexing.

• **Assembly** Part. S0755

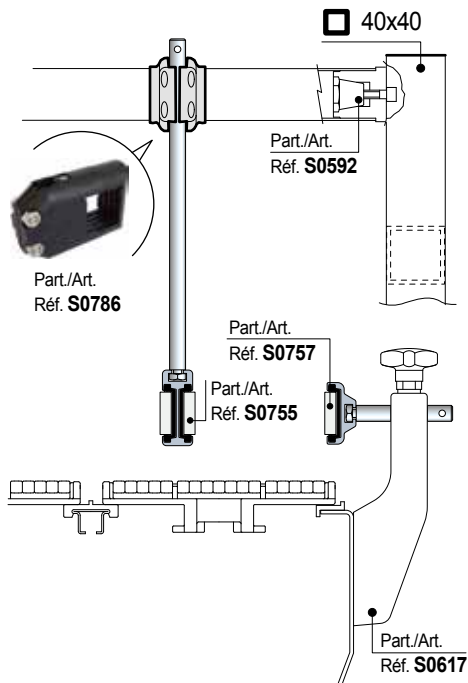
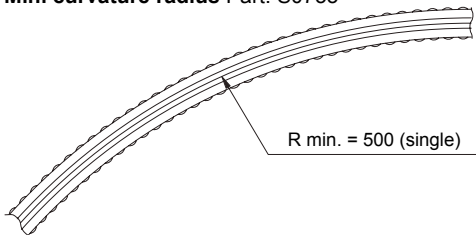


• **Accessories**

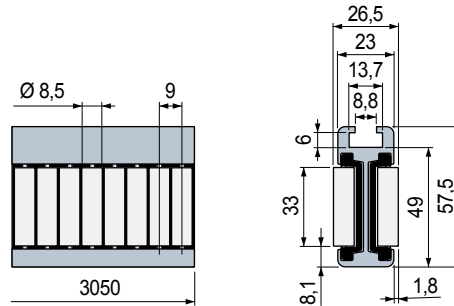
Part. S0369 - Connecting bar



• **Min. curvature radius** Part. S0755



■ **Centre guide with cylinder rollers**



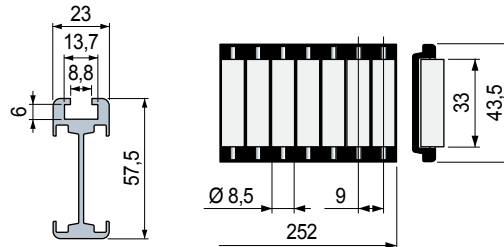
Cylinder rollers material	Code	Weight kg
Polyethylene PE (white)	<b>645103</b>	1,75

- Material: metal profile in anodized aluminium, rollers module in acetal POM (black), roller pins in stainless steel.
- Standard packaging: strands 3,05 metres.
- Packaging: 2 strands.

The roller side guides can be supplied with separated components.

**Metal profile**

**Cylinder roller module**



Length mm	Code	Cylinder rollers material	Code
3050	<b>607893</b>	Polyethylene PE (white)	<b>644613</b>
6100	<b>607903</b>		

- Material: anodized aluminium.
- Weight: 1,08 Kg/m.
- Packaging: 1 strand.

## Part. S0755

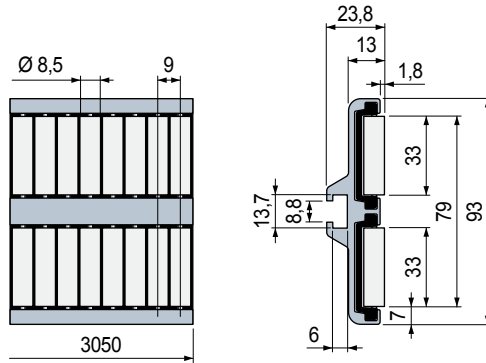


- **Best Seller**
- **Standard**
- **On request:** minimum quantity may apply. Consult our Customer Service for availability.

Item code for order = Part. + Code

Part. **S0757**

■ Roller side guides with cylinder rollers



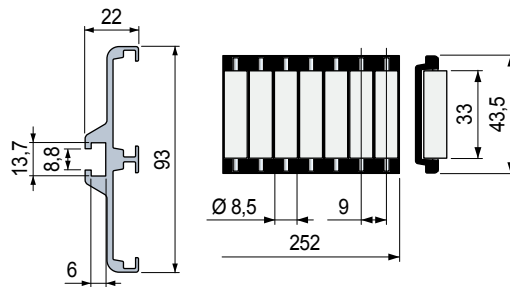
Cylinder rollers material	Code	Weight kg
Polyethylene PE (white)	<b>645093</b>	2,00

- Material: metal profile in anodized aluminium, rollers module in acetal POM (black), roller pins in stainless steel.
- Standard packaging: strands 3,05 metres.
- Packaging: 2 strands.

The roller side guides can be supplied with separated components.

**Metal profile**

**Cylinder roller module**



Length mm	Code	Cylinder rollers material	Code
3050	<b>607953</b>	Polyethylene PE (white)	<b>644613</b>
6100	<b>607963</b>		

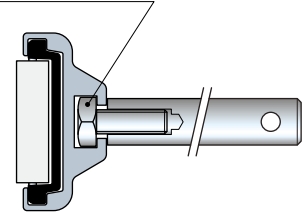
- Material: anodized aluminium.
- Weight: 1,36 Kg/m.
- Packaging: 1 strand.

• **Characteristics** Part. S0757

- Self supporting structure.
- Anodized aluminium profile.
- Quick and easy installation by standard bolts.
- Can be used straight running and sideflexing.

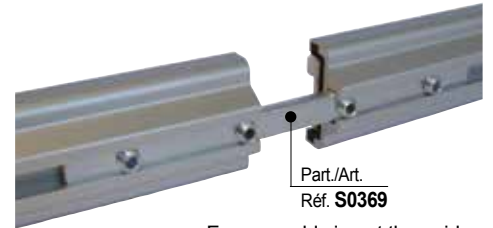
• **Assembly** Part. S0757

**M8 hex head bolt**



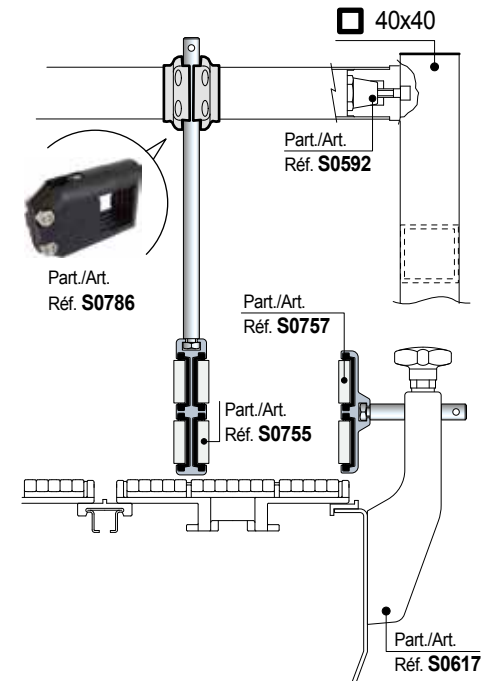
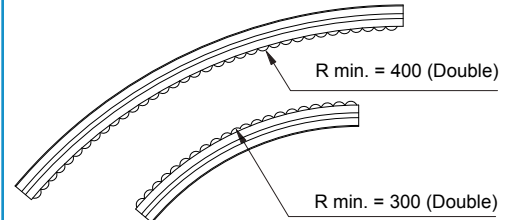
• **Accessories**

Part. S0369 - Connecting bar



For assembly insert the guides and tighten the set screw.

• **Min. curvature radius** Part. S0757



● Best Seller

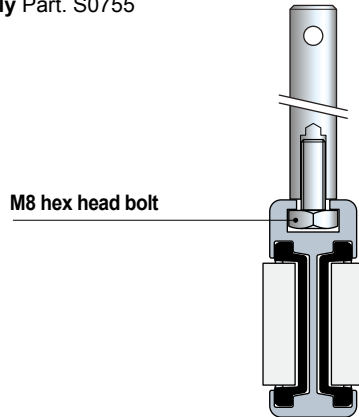
● Standard

● On request: minimum quantity may apply. Consult our Customer Service for availability.

Item code for order = Part. + Code

- **Characteristics** Part. S0755
  - Self supporting structure.
  - Anodized aluminium profile.
  - Quick and easy installation by standard bolts.
  - Can be used straight running and sideliflexing.

• **Assembly** Part. S0755

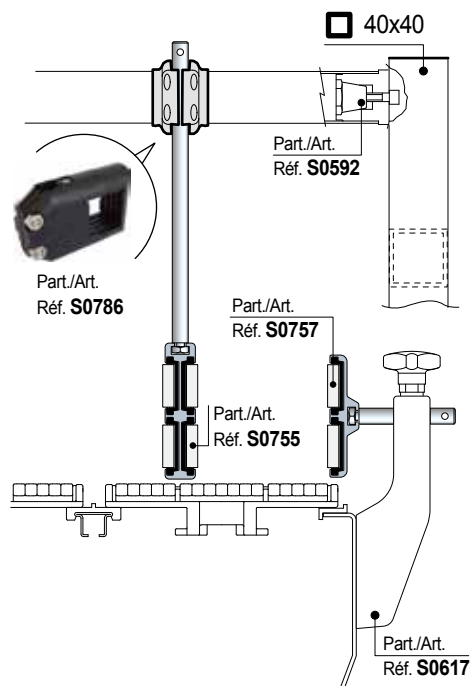
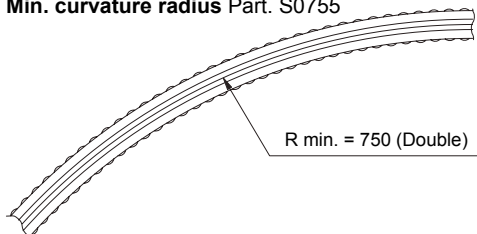


• **Accessories**

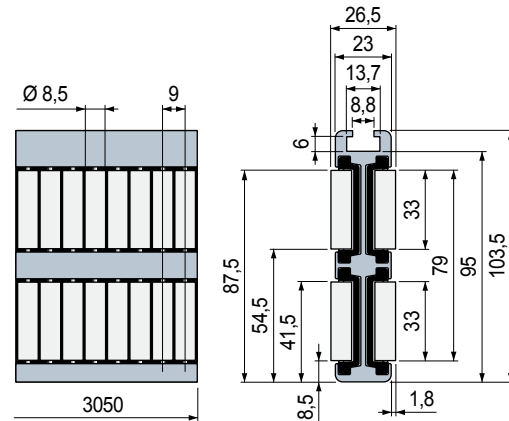
Part. S0369 - Connecting bar



• **Min. curvature radius** Part. S0755



■ **Centre guide with cylinder rollers**



Cylinder rollers material	Code	Weight kg
Polyethylene PE (white)	<b>645113</b>	3,00

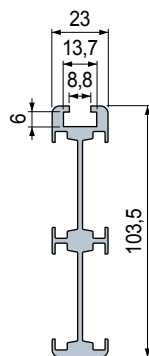
- Material: metal profile in anodized aluminium, rollers module in acetal POM (black), roller pins in stainless steel.
- Standard packaging: strands 3,05 metres.
- Packaging: 2 strands.

## Part. S0755

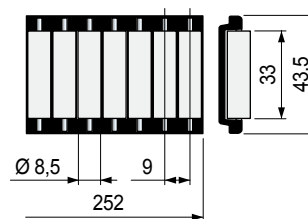


The roller side guides can be supplied with separated components.

**Metal profile**



**Cylinder roller module**



Length mm	Code	Cylinder rollers material	Code
3050	<b>607913</b>	Polyethylene PE (white)	<b>644613</b>
6100	<b>607923</b>		

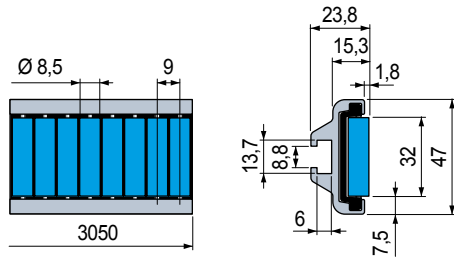
- Material: anodized aluminium.
- Weight: 1,70 Kg/m.
- Packaging: 1 strand.

- **Best Seller**
- **Standard**
- **On request:** minimum quantity may apply. Consult our Customer Service for availability.

Item code for order = Part. + Code

Part. **S0868**

■ Roller side guides with cylinder rollers



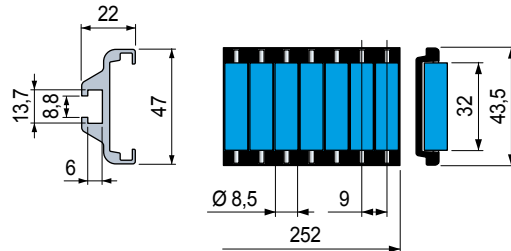
Cylinder rollers material	Code	Weight kg
SEBS rubber (Blue)	<b>647573</b>	1,20

- Material: metal profile in anodized aluminium, rollers module in acetal POM (black), roller pins in stainless steel.
- Standard packaging: strands 3,05 metres.
- Packaging: 2 strands.

The roller side guides can be supplied with separated components.

**Metal profile**

**Cylinder roller module**



Length mm	Code	Cylinder rollers material	Code
3050	<b>607933</b>	SEBS rubber (Blue)	<b>646523</b>
6100	<b>607943</b>		

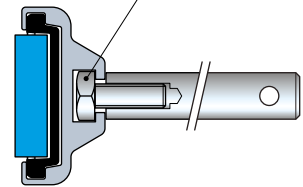
- Material: anodized aluminium.
- Weight: 0,85 Kg/m.
- Packaging: 1 strand.

• **Characteristics** Part. S0868

- Self supporting structure.
- Anodized aluminium profile.
- Quick and easy installation by standard bolts.
- Can be used straight running and sideflexing.

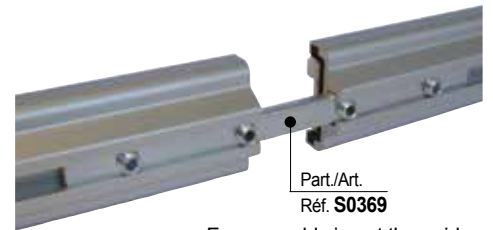
• **Assembly** Part. S0868

**M8 hex head bolt**



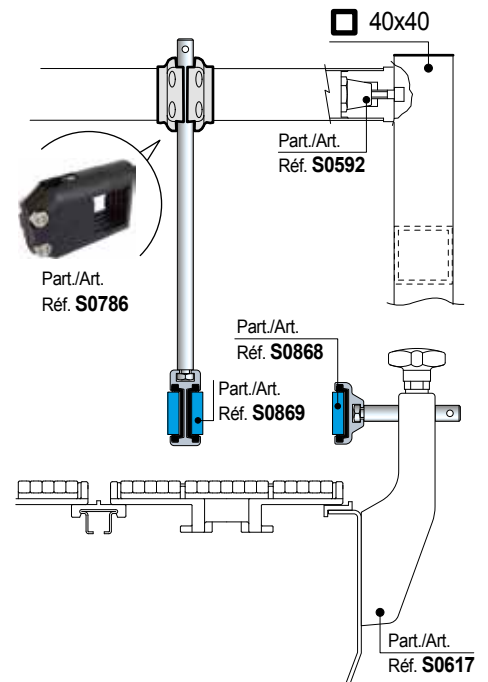
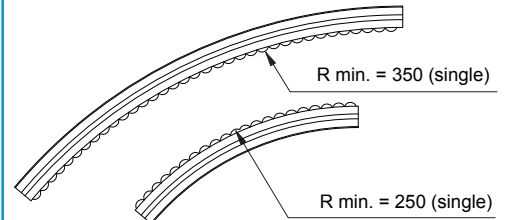
• **Accessories**

Part. S0369 - Connecting bar



For assembly insert the guides and tighten the set screw.

• **Min. curvature radius** Part. S0868



● Best Seller

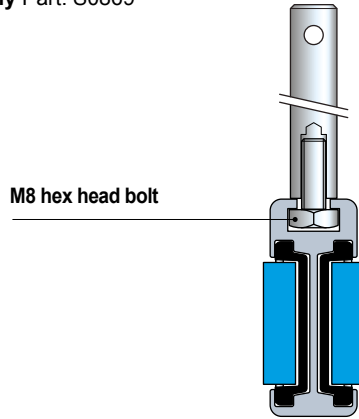
● Standard

● On request: minimum quantity may apply. Consult our Customer Service for availability.

Item code for order = Part. + Code

- **Characteristics** Part. S0869
  - Self supporting structure.
  - Anodized aluminium profile.
  - Quick and easy installation by standard bolts.
  - Can be used straight running and sideflexing.

• **Assembly** Part. S0869

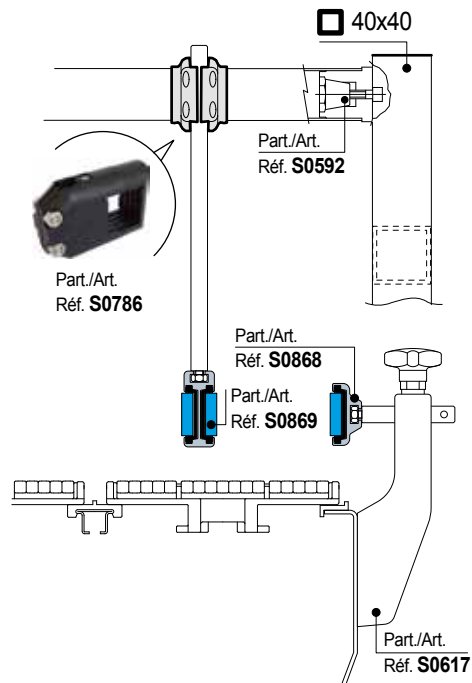
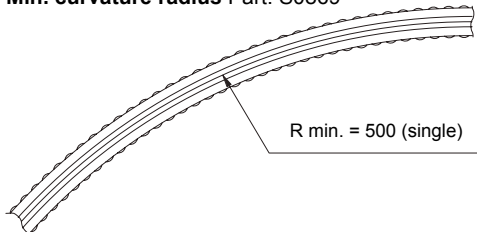


• **Accessories**

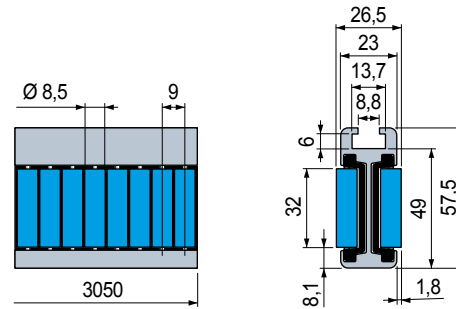
Part. S0369 - Connecting bar



• **Min. curvature radius** Part. S0869



■ **Centre guide with cylinder rollers**



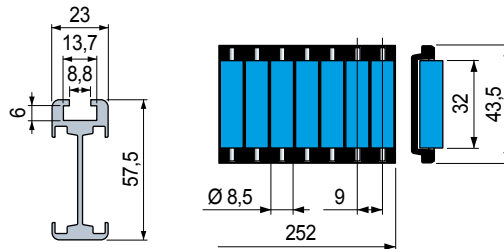
Cylinder rollers material	Code	Weight kg
SEBS rubber (Blue)	647583	1,75

- Material: metal profile in anodized aluminium, rollers module in acetal POM (black), roller pins in stainless steel.
- Standard packaging: strands 3,05 metres.
- Packaging: 2 strands.

The roller side guides can be supplied with separated components.

**Metal profile**

**Cylinder roller module**



Length mm	Code	Cylinder rollers material	Code
3050	607893	SEBS rubber (Blue)	646523
6100	607903		

- Material: anodized aluminium.
- Weight: 1,08 Kg/m.
- Packaging: 1 strand.

## Part. S0869



- Best Seller
- Standard
- On request: minimum quantity may apply. Consult our Customer Service for availability.

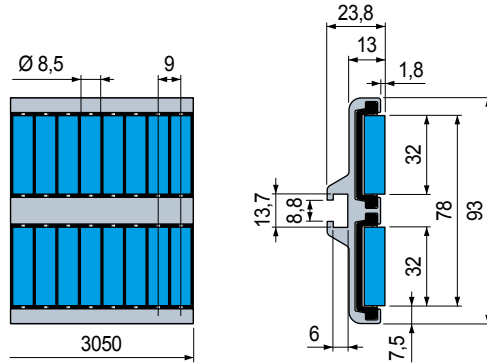
Item code for order = Part. + Code



Part. **S0868**



■ Roller side guides with cylinder rollers



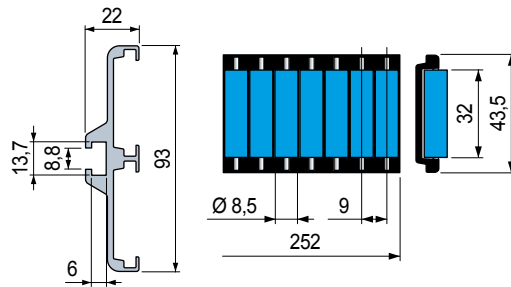
Cylinder rollers material	Code	Weight kg
SEBS rubber (blue)	<b>647593</b>	2,00

- Material: metal profile in anodized aluminium, rollers module in acetal POM (black), roller pins in stainless steel.
- Standard packaging: strands 3,05 metres.
- Packaging: 2 strands.

The roller side guides can be supplied with separated components.

**Metal profile**

**Cylinder roller module**



Length mm	Code	Cylinder rollers material	Code
3050	<b>607953</b>	SEBS rubber (blue)	<b>646523</b>
6100	<b>607963</b>		

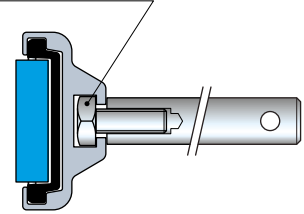
- Material: anodized aluminium.
- Weight: 1,36 Kg/m.
- Packaging: 1 strand.

• **Characteristics** Part. S0868

- Self supporting structure.
- Anodized aluminium profile.
- Quick and easy installation by standard bolts.
- Can be used straight running and sideflexing.

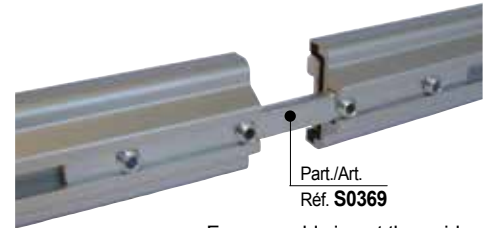
• **Assembly** Part. S0868

**M8 hex head bolt**



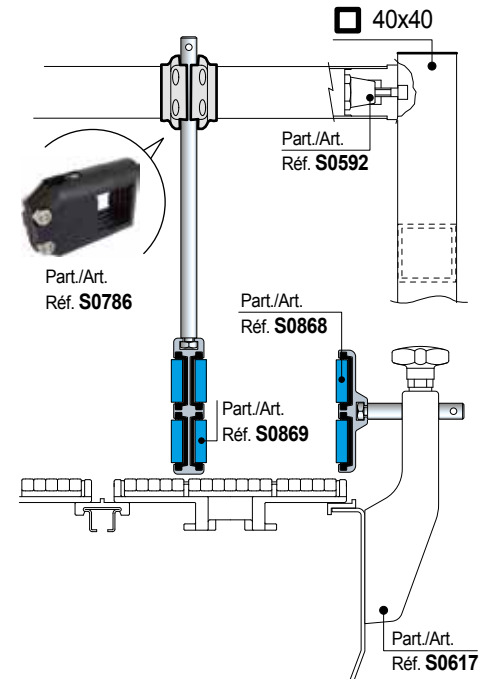
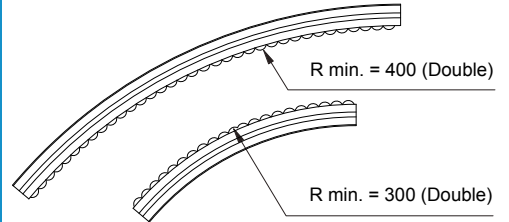
• **Accessories**

Part. S0369 - Connecting bar



For assembly insert the guides and tighten the set screw.

• **Min. curvature radius** Part. S0868



● Best Seller

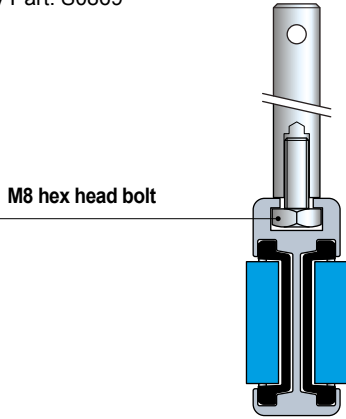
● Standard

● On request: minimum quantity may apply. Consult our Customer Service for availability.

Item code for order = Part. + Code

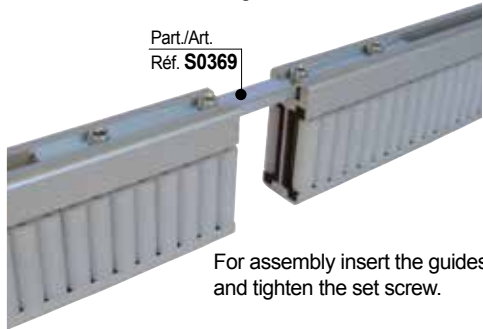
- **Characteristics** Part. S0869
  - Self supporting structure.
  - Anodized aluminium profile.
  - Quick and easy installation by standard bolts.
  - Can be used straight running and sideliflexing.

• **Assembly** Part. S0869

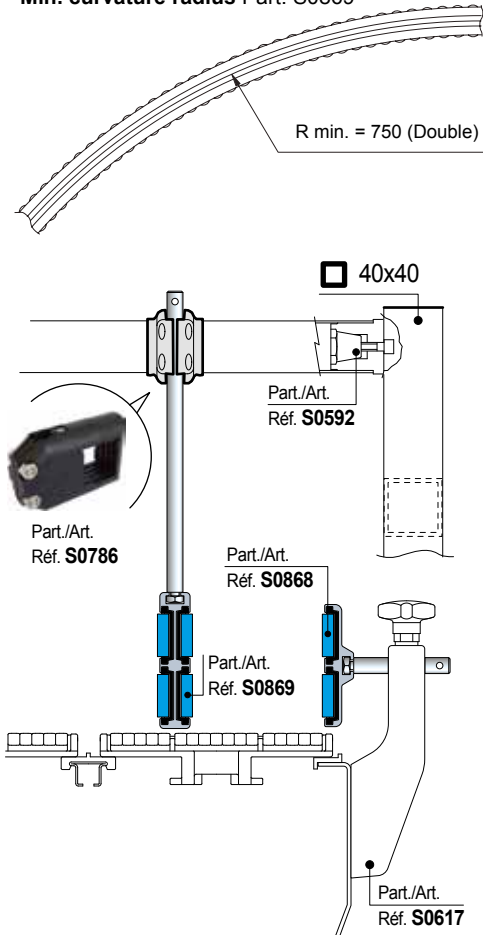


• **Accessories**

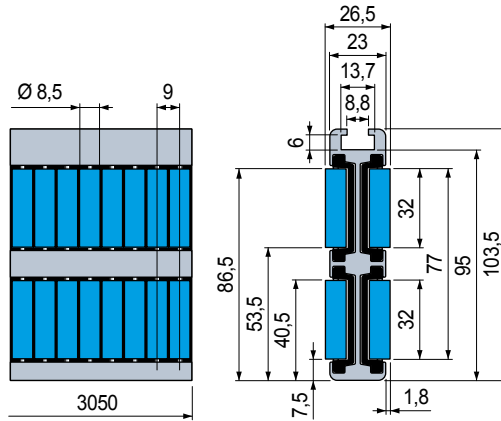
Part. S0369 - Connecting bar



• **Min. curvature radius** Part. S0869



■ **Centre guide with cylinder rollers**

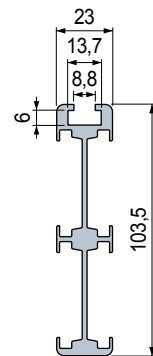


Cylinder rollers material	Code	Weight kg
SEBS rubber (blue)	<b>647603</b>	3,00

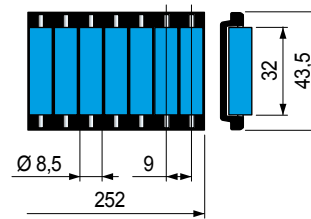
- Material: metal profile in anodized aluminium, rollers module in acetal POM (black), roller pins in stainless steel.
- Standard packaging: strands 3,05 metres.
- Packaging: 2 strands.

The roller side guides can be supplied with separated components.

**Metal profile**



**Cylinder roller module**



Length mm	Code	Cylinder rollers material	Code
3050	<b>607913</b>	SEBS rubber (blue)	<b>646523</b>
6100	<b>607923</b>		

- Material: anodized aluminium.
- Weight: 1,08 Kg/m.
- Packaging: 1 strand.

## Part. S0869

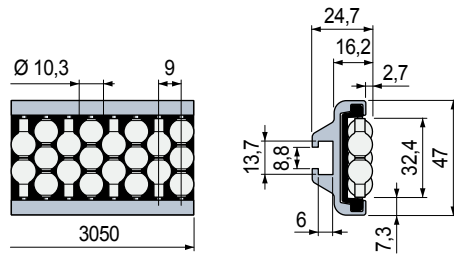


- **Best Seller**
- **Standard**
- **On request:** minimum quantity may apply. Consult our Customer Service for availability.

Item code for order = Part. + Code

Part. **S0756**

■ Pearl roller side guide



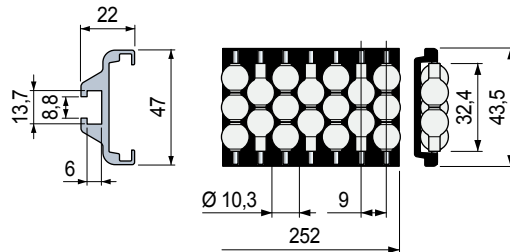
Pearl material	Code	Weight kg
Polyethylene PE (Aubergine)	<b>645123</b>	1,15
Polyethylene PE (white)	<b>645133</b>	

- Material: metal profile in anodized aluminium, rollers module in acetal POM (black), roller pins in stainless steel.
- Standard packaging: strands 3,05 metres.
- Packaging: 2 strands.

The roller side guides can be supplied with separated components.

Metal profile

Pearls module



Length mm	Code	Pearl material	Code
3050	<b>607933</b>	Polyethylene PE (Aubergine)	<b>644653</b>
6100	<b>607943</b>	Polyethylene PE (white)	<b>644633</b>

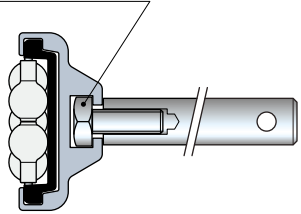
- Material: anodized aluminium.
- Weight: 0,85 Kg/m.
- Packaging: 1 strand.

• Characteristics Part. S0756

- Self supporting structure.
- Anodized aluminium profile.
- Quick and easy installation by standard bolts.
- Can be used straight running and sideflexing.

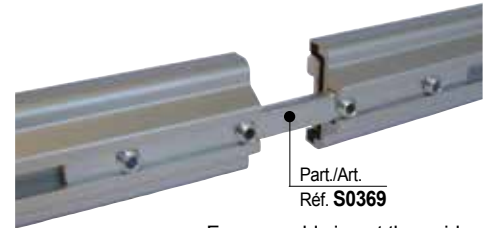
• Assembly Part. S0756

M8 hex head bolt



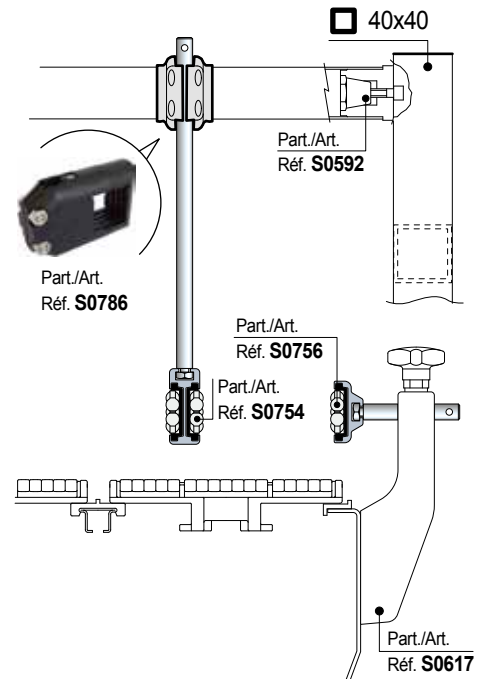
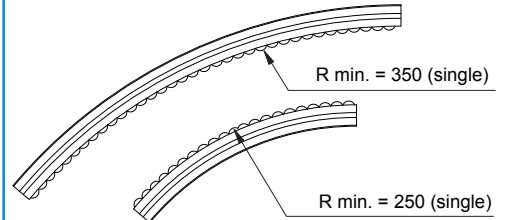
• Accessories

Part. S0369 - Connecting bar



For assembly insert the guides and tighten the set screw.

• Min. curvature radius Part. S0756



● Best Seller

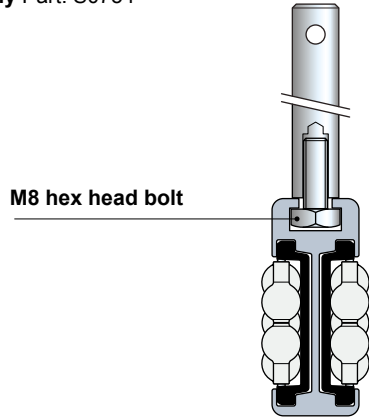
● Standard

● On request: minimum quantity may apply. Consult our Customer Service for availability.

Item code for order = Part. + Code

- **Characteristics** Part. S0754
  - Self supporting structure.
  - Anodized aluminium profile.
  - Quick and easy installation by standard bolts.
  - Can be used straight running and sideflexing.

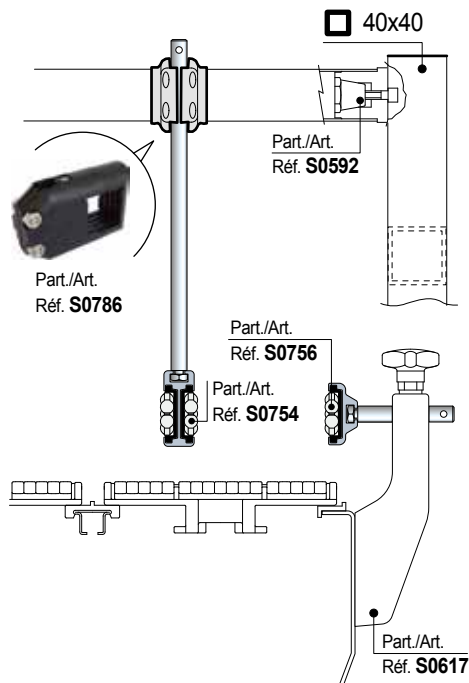
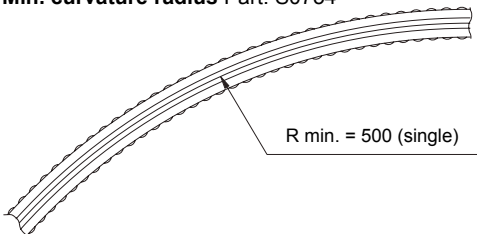
• **Assembly** Part. S0754



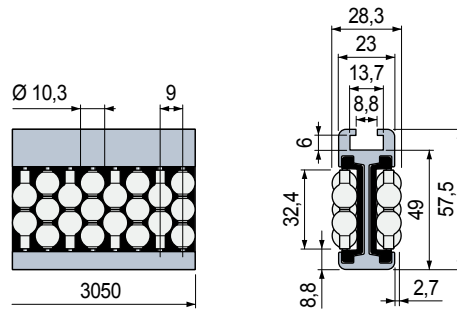
- **Accessories**  
Part. S0369 - Connecting bar



- **Min. curvature radius** Part. S0754



■ **Pearls roller centre guide**



## Part. S0754



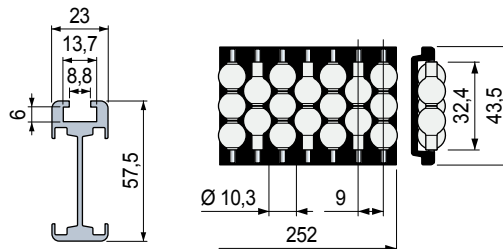
Pearl material	Code	Weight kg
Polyethylene PE (Aubergine)	<b>645163</b>	1,70
Polyethylene PE (white)	<b>645173</b>	

- Material: metal profile in anodized aluminium, rollers module in acetal POM (black), roller pins in stainless steel.
- Standard packaging: strands 3,05 metres.
- Packaging: 2 strands.

The roller side guides can be supplied with separated components.

**Metal profile**

**Pearls module**



Length mm	Code	Pearl material	Code
3050	<b>607893</b>	Polyethylene PE (Aubergine)	<b>644653</b>
6100	<b>607903</b>	Polyethylene PE (white)	<b>644633</b>

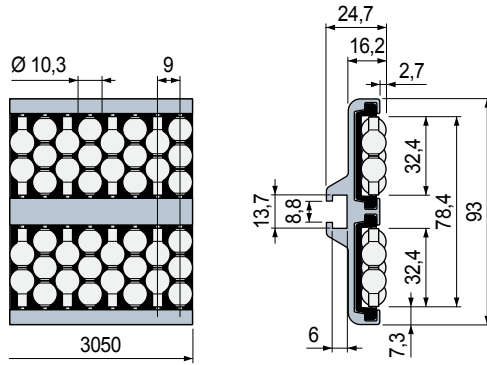
- Material: anodized aluminium.
- Weight: 1,08 Kg/m.
- Packaging: 1 strand.

- **Best Seller**
- **Standard**
- **On request:** minimum quantity may apply. Consult our Customer Service for availability.

Item code for order = Part. + Code

Part. **S0756**

■ Pearl roller side guide

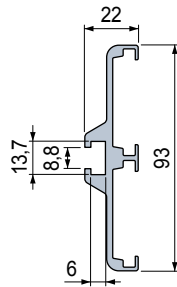


Pearl material	Code	Weight kg
Polyethylene PE (Aubergine)	<b>645143</b>	1,95
Polyethylene PE (white)	<b>645153</b>	

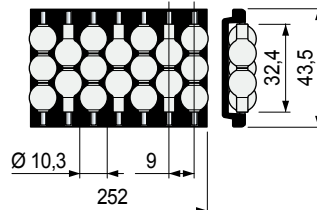
- Material: metal profile in anodized aluminium, rollers module in acetal POM (black), roller pins in stainless steel.
- Standard packaging: strands 3,05 metres.
- Packaging: 2 strands.

The roller side guides can be supplied with separated components.

Metal profile



Pearls module



Length mm	Code	Pearl material	Code
3050	<b>607953</b>	Polyethylene PE (Aubergine)	<b>644653</b>
6100	<b>607963</b>	Polyethylene PE (white)	<b>644633</b>

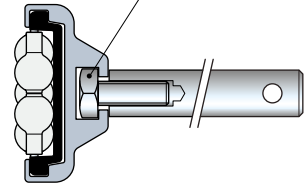
- Material: anodized aluminium.
- Weight: 1,36 Kg/m.
- Packaging: 1 strand.

• Characteristics Part. S0756

- Self supporting structure.
- Anodized aluminium profile.
- Quick and easy installation by standard bolts.
- Can be used straight running and sideflexing.

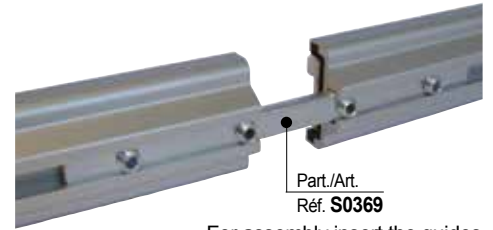
• Assembly Part. S0756

M8 hex head bolt



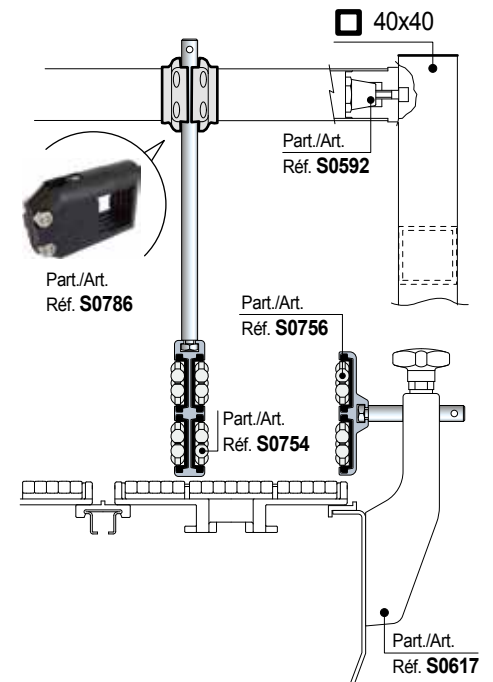
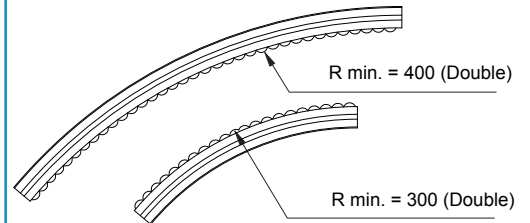
• Accessories

Part. S0369 - Connecting bar



For assembly insert the guides and tighten the set screw.

• Min. curvature radius Part. S0756



● Best Seller

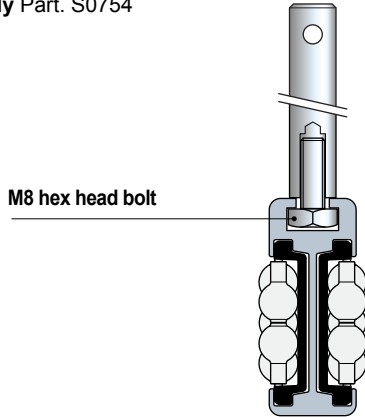
● Standard

● On request: minimum quantity may apply. Consult our Customer Service for availability.

Item code for order = Part. + Code

- **Characteristics** Part. S0754
  - Self supporting structure.
  - Anodized aluminium profile.
  - Quick and easy installation by standard bolts.
  - Can be used straight running and sideliflexing.

• **Assembly** Part. S0754

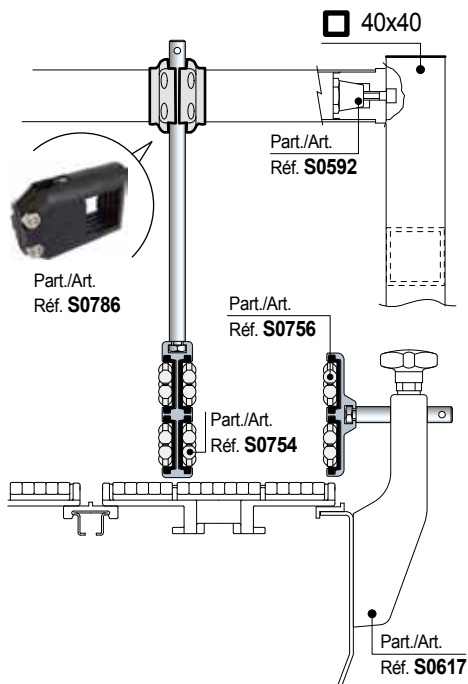
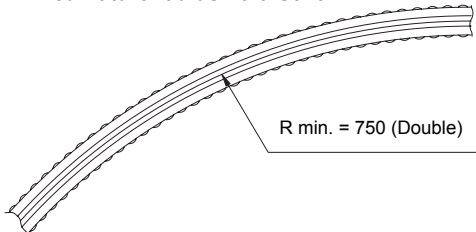


• **Accessories**

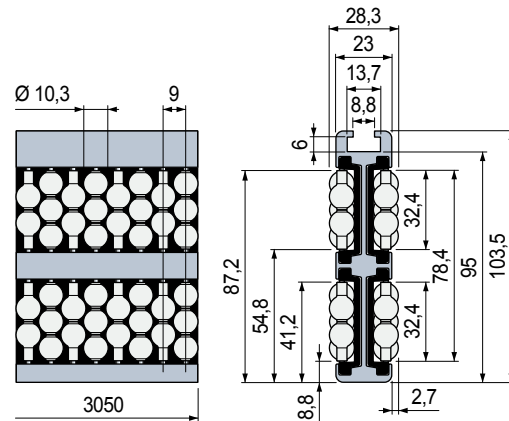
Part. S0369 - Connecting bar



• **Min. curvature radius** Part. S0754



■ **Pearls roller centre guide**



Pearl material	Code	Weight kg
Polyethylene PE (Aubergine)	<b>645183</b>	2,90
Polyethylene PE (white)	<b>645193</b>	

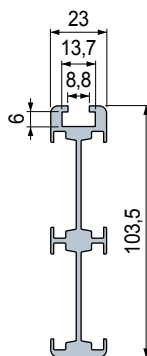
- Material: metal profile in anodized aluminium, rollers module in acetal POM (black), roller pins in stainless steel.
- Standard packaging: strands 3,05 metres.
- Packaging: 2 strands.

## Part. S0754

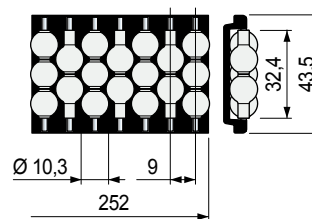


The roller side guides can be supplied with separated components.

**Metal profile**



**Pearls module**



Length mm	Code	Pearl material	Code
3050	<b>607913</b>	Polyethylene PE (Aubergine)	<b>644653</b>
6100	<b>607923</b>	Polyethylene PE (white)	<b>644633</b>

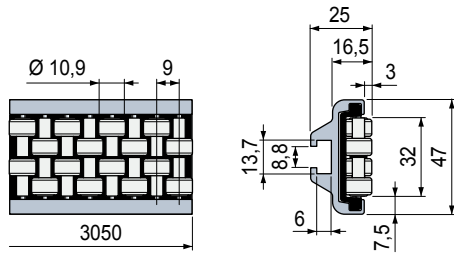
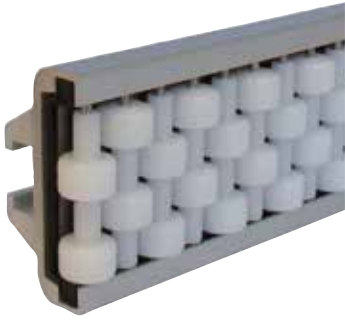
- Material: anodized aluminium.
- Weight: 1,70 Kg/m.
- Packaging: 1 strand.

- **Best Seller**
- **Standard**
- **On request:** minimum quantity may apply. Consult our Customer Service for availability.

Item code for order = Part. + Code

Part. **S0856**

■ Roller side guides

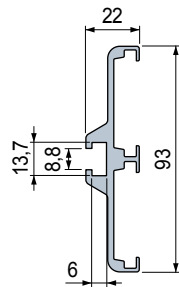


Rollers material	Code	Weight kg
Acetal POM (white)	<b>645203</b>	1,20

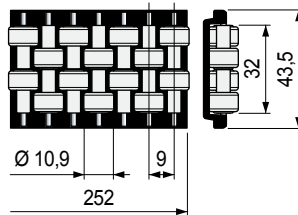
- Material: metal profile in anodized aluminium, rollers module in acetal POM (black), roller pins in stainless steel.
- Standard packaging: strands 3,05 metres.
- Packaging: 2 strands.

The roller side guides can be supplied with separated components.

**Metal profile**



**Roller module**



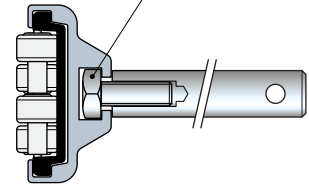
Length mm	Code	Rollers material	Code
3050	<b>607933</b>	Acetal POM (white)	<b>644673</b>
6100	<b>607943</b>		

- Material: anodized aluminium.
- Weight: 0,85 Kg/m.
- Packaging: 1 strand.

- **Characteristics Part. S0856**
  - Self supporting structure.
  - Anodized aluminium profile.
  - Quick and easy installation by standard bolts.
  - Can be used straight running and sideliflexing.

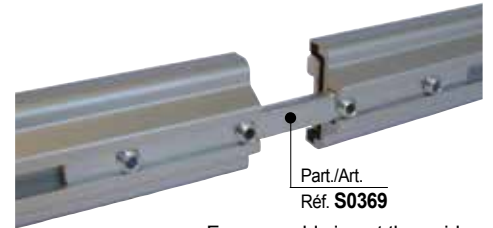
• **Assembly Part. S0856**

**M8 hex head bolt**



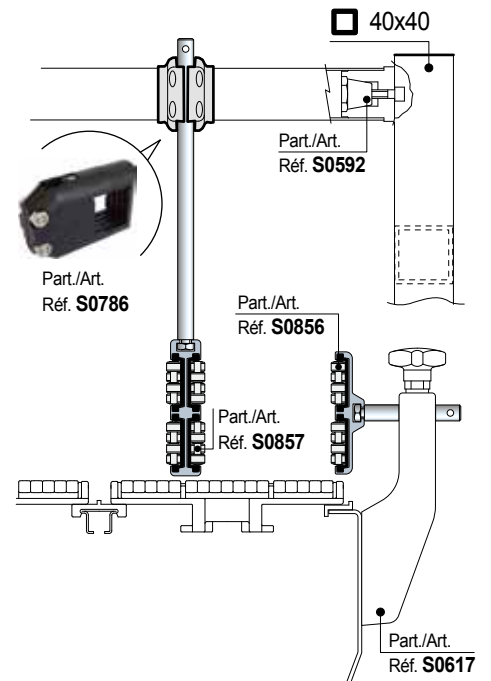
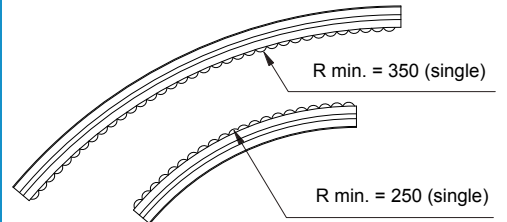
• **Accessories**

Part. S0369 - Connecting bar



For assembly insert the guides and tighten the set screw.

• **Min. curvature radius Part. S0856**



● Best Seller

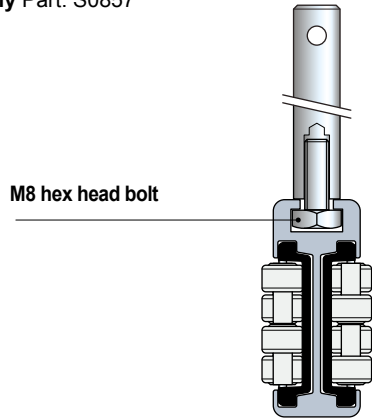
● Standard

● On request: minimum quantity may apply. Consult our Customer Service for availability.

Item code for order = Part. + Code

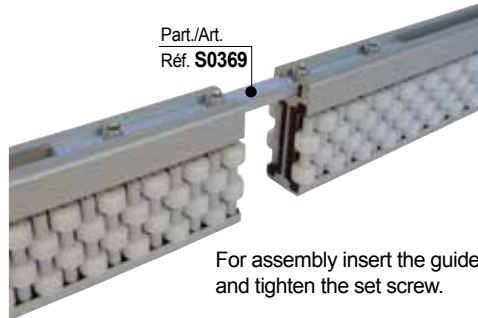
- **Characteristics** Part. S0857
  - Self supporting structure.
  - Anodized aluminium profile.
  - Quick and easy installation by standard bolts.
  - Can be used straight running and sideflexing.

• **Assembly** Part. S0857

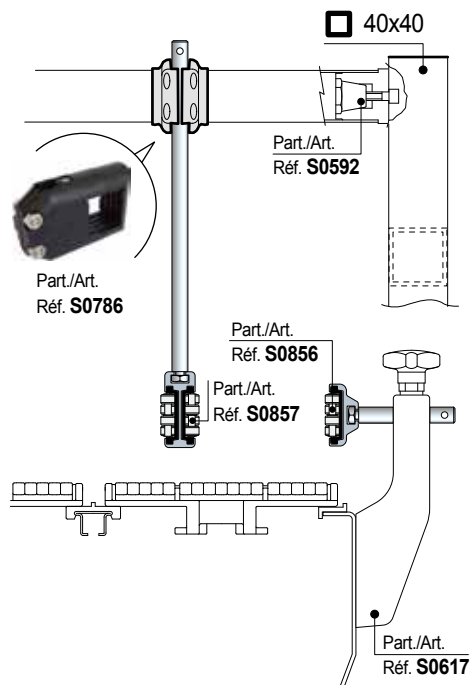
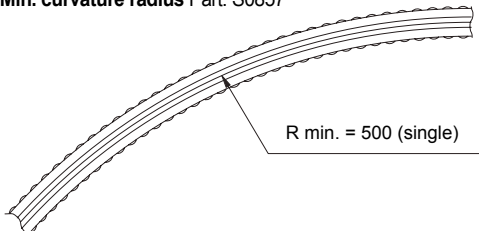


• **Accessories**

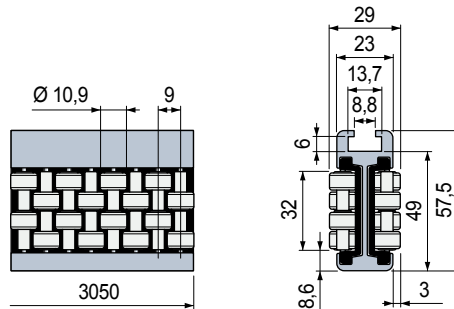
Part. S0369 - Connecting bar



• **Min. curvature radius** Part. S0857



■ **Roller centre guides**



Part. **S0857**



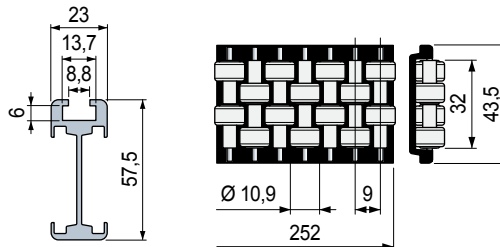
Rollers material	Code	Weight kg
Acetal POM (white)	645223	1,75

- Material: metal profile in anodized aluminium, rollers module in acetal POM (black), roller pins in stainless steel.
- Standard packaging: strands 3,05 metres.
- Packaging: 2 strands.

The roller side guides can be supplied with separated components.

**Metal profile**

**Roller module**



Length mm	Code	Rollers material	Code
3050	607893	Acetal POM (white)	644673
6100	607903		

- Material: anodized aluminium.
- Weight: 1,08 Kg/m.
- Packaging: 1 strand.

● Best Seller

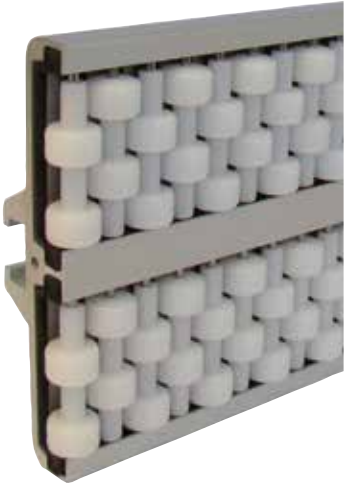
● Standard

● On request: minimum quantity may apply. Consult our Customer Service for availability.

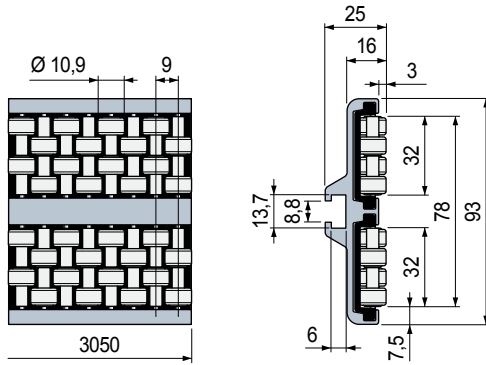
Item code for order = Part. + Code



Part. **S0856**



■ Roller side guides

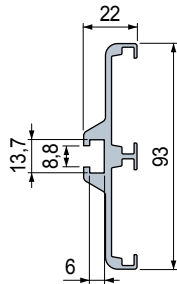


Rollers material	Code	Weight kg
Acetal POM (white)	<b>645213</b>	2,00

- Material: metal profile in anodized aluminium, rollers module in acetal POM (black), roller pins in stainless steel.
- Standard packaging: strands 3,05 metres.
- Packaging: 2 strands.

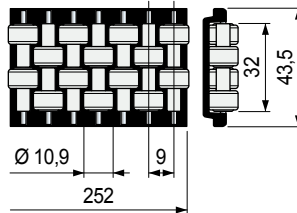
The roller side guides can be supplied with separated components.

Metal profile



Length mm	Code
3050	<b>607953</b>
6100	<b>607963</b>

Roller module



Rollers material	Code
Acetal POM (white)	<b>644673</b>

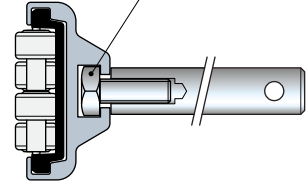
- Material: anodized aluminium.
- Weight: 1,36 Kg/m.
- Packaging: 1 strand.

• Characteristics Part. S0856

- Self supporting structure.
- Anodized aluminium profile.
- Quick and easy installation by standard bolts.
- Can be used straight running and sideflexing.

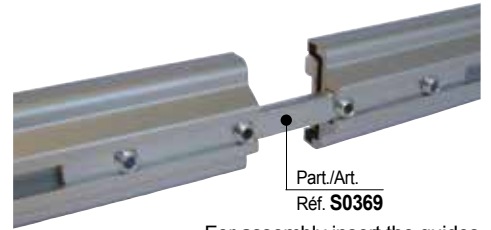
• Assembly Part. S0856

M8 hex head bolt



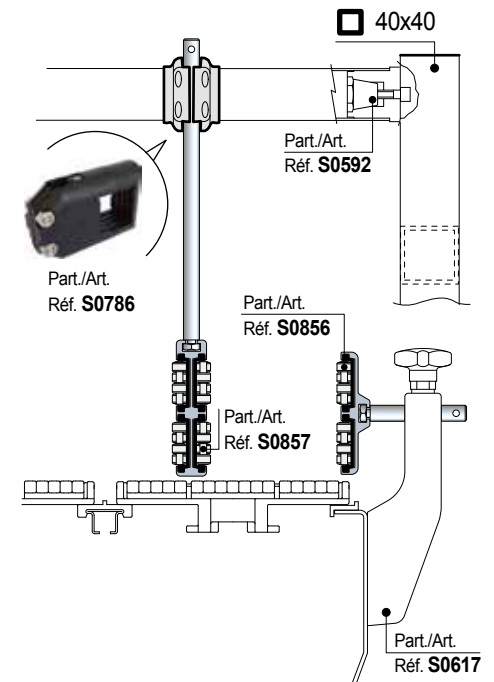
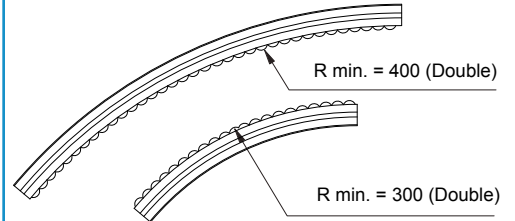
• Accessories

Part. S0369 - Connecting bar



For assembly insert the guides and tighten the set screw.

• Min. curvature radius Part. S0856



● Best Seller

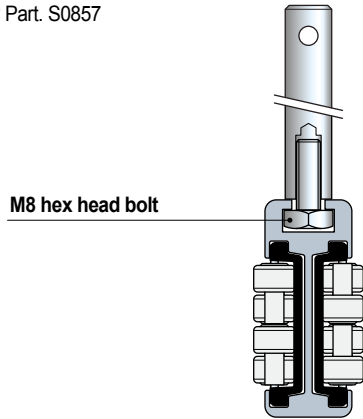
● Standard

● On request: minimum quantity may apply. Consult our Customer Service for availability.

Item code for order = Part. + Code

- **Characteristics** Part. S0857
  - Self supporting structure.
  - Anodized aluminium profile.
  - Quick and easy installation by standard bolts.
  - Can be used straight running and sideliflexing.

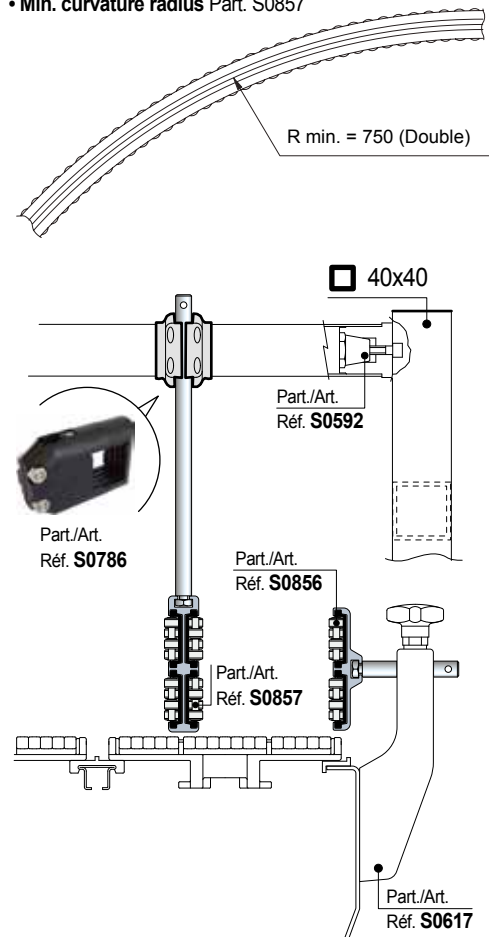
• **Assembly** Part. S0857



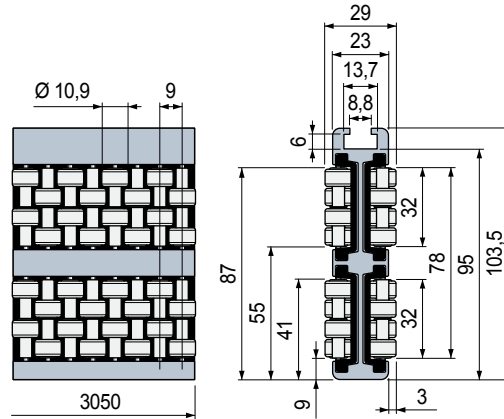
• **Accessories**  
Part. S0369 - Connecting bar



• **Min. curvature radius** Part. S0857



■ **Roller centre guides**

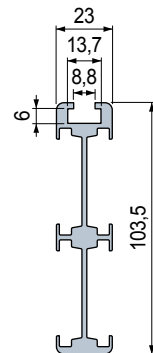


Rollers material	Code	Weight kg
Acetal POM (white)	645233	3,00

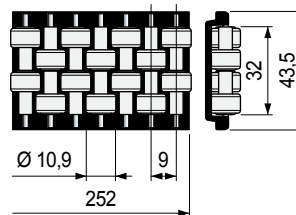
- Material: metal profile in anodized aluminium, rollers module in acetal POM (black), roller pins in stainless steel.
- Standard packaging: strands 3,05 metres.
- Packaging: 2 strands.

The roller side guides can be supplied with separated components.

**Metal profile**



**Roller module**



Length mm	Code	Rollers material	Code
3050	607913	Acetal POM (white)	644673
6100	607923		

- Material: anodized aluminium.
- Weight: 1,70 Kg/m.
- Packaging: 1 strand.

## Part. S0857



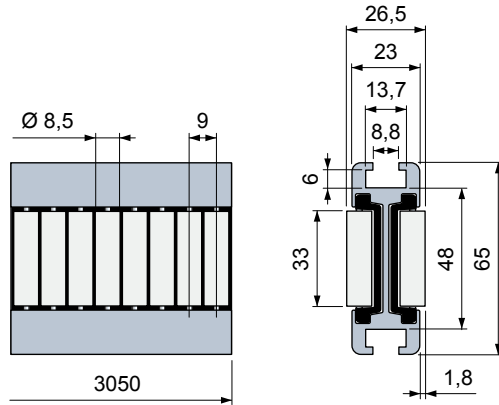
- **Best Seller**
- **Standard**
- **On request:** minimum quantity may apply. Consult our Customer Service for availability.

Item code for order = Part. + Code

Part. **S0656**



■ Symmetric central guide



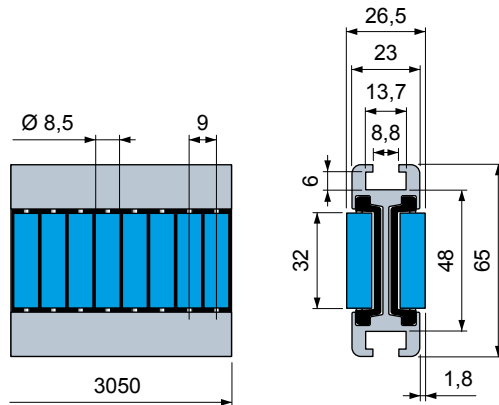
Cylinder rollers material	Code	Weight kg/m
Polyethylene PE (white)	<b>646063</b>	1,96

- Material: metal profile in anodized aluminium, rollers module in acetal POM (black), roller pins in stainless steel.
- Min. curvature radius: 500 mm.
- Standard packaging: strands 3,05 metres.
- Packaging: 2 strands.

Part. **S0656**



■ Symmetric central guide



Cylinder rollers material	Code	Weight kg/m
SEBS rubber (Blue)	<b>655783</b>	1,96

- Material: metal profile in anodized aluminium, rollers module in acetal POM (black), roller pins in stainless steel.
- Min. curvature radius: 500 mm.
- Standard packaging: strands 3,05 metres.
- Packaging: 2 strands.

● Best Seller

● Standard

● On request: minimum quantity may apply. Consult our Customer Service for availability.

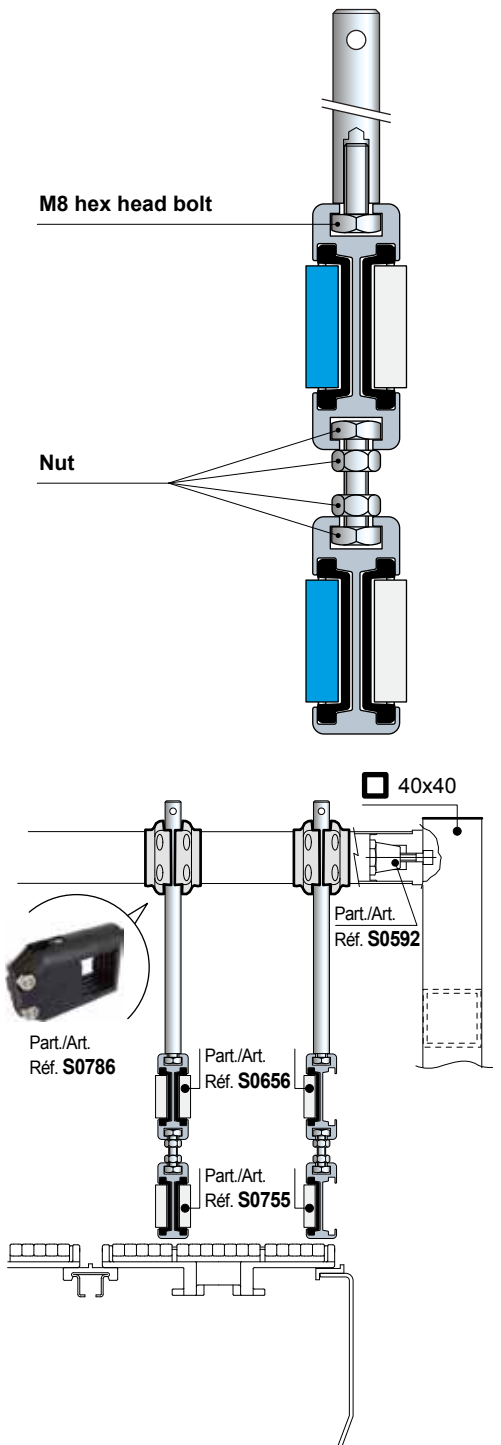
Item code for order = Part. + Code

• Accessories

Part. S0369 - Connecting bar



• Fixing

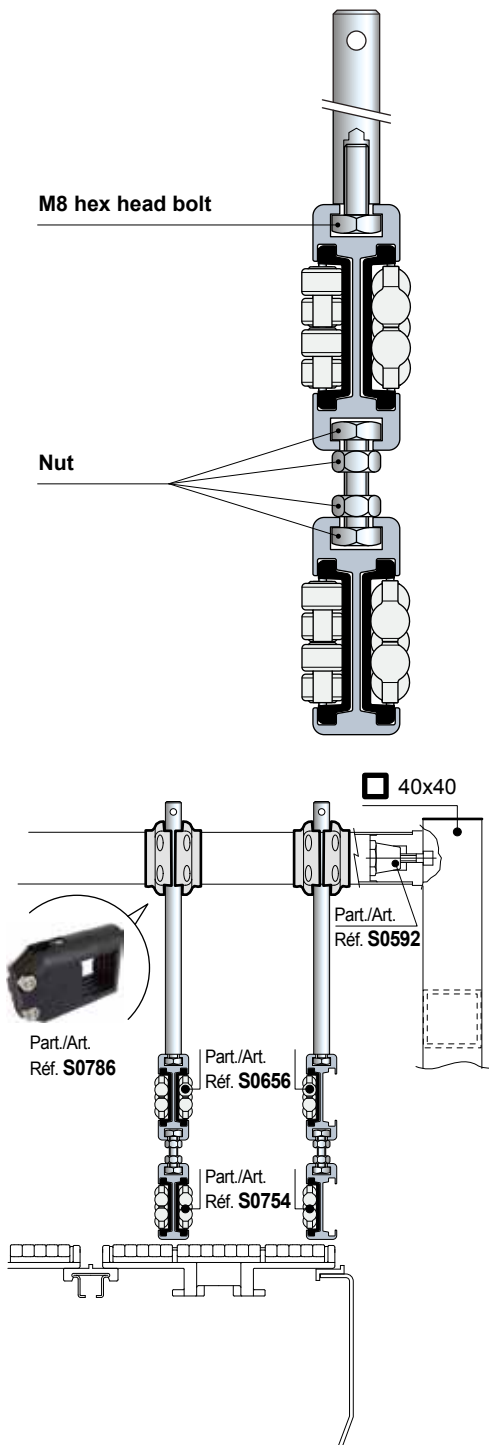


### • Accessories

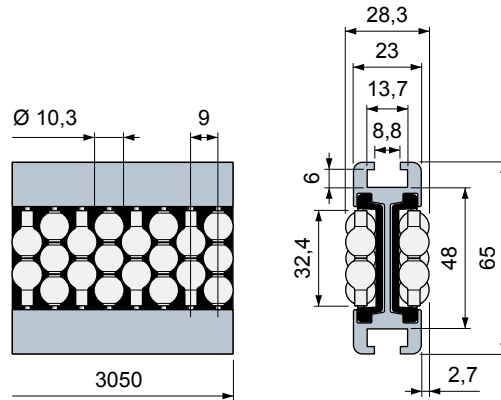
Part. S0369 - Connecting bar



### • Fixing



### ■ Symmetric central guide



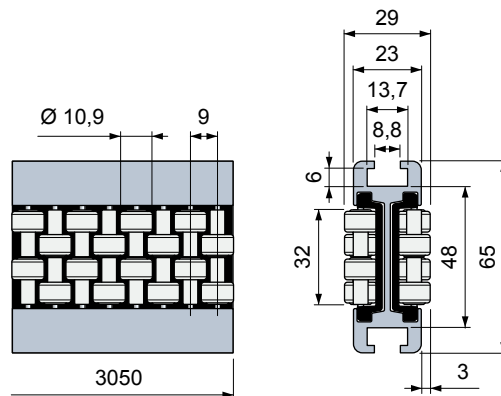
Pearl material	Code	Weight kg/m
Polyethylene PE (Aubergine)	<b>645243</b>	1,91
Polyethylene PE (white)	<b>645253</b>	

- Material: metal profile in anodized aluminium, rollers module in acetal POM (black), roller pins in stainless steel.
- Min. curvature radius: 500 mm.
- Standard packaging: strands 3,05 metres.
- Packaging: 2 strands.

## Part. S0656



### ■ Symmetric central guide



Rollers material	Code	Weight kg/m
Acetal POM (white)	<b>645263</b>	1,96

- Material: metal profile in anodized aluminium, rollers module in acetal POM (black), roller pins in stainless steel.
- Min. curvature radius: 500 mm.
- Standard packaging: strands 3,05 metres.
- Packaging: 2 strands.

## Part. S0656

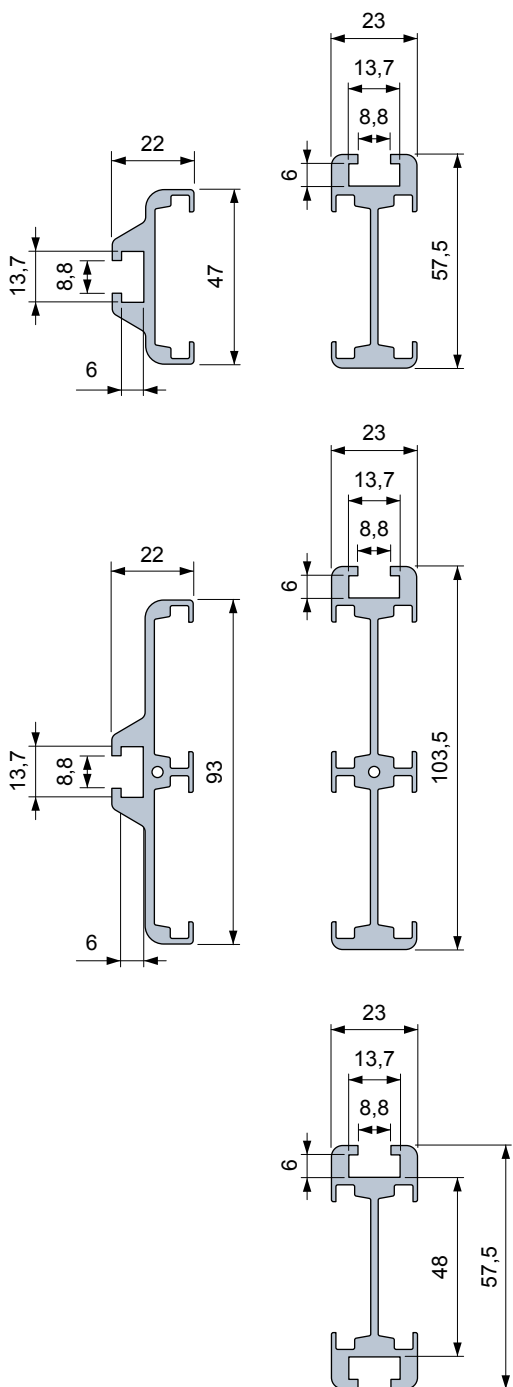


- Best Seller
- Standard
- On request: minimum quantity may apply. Consult our Customer Service for availability.

Item code for order = Part. + Code

Part. **S0000**

Types of profile that can be used



Type	Version	Code		Radius min. mm	Weight kg/m
		3050 mm	6100 mm		
Lateral	Single	607933	607943	250	0,85
	Double	607953	607963	500	1,36
	Symmetric	689832	689992	500	1,24
Central	Single	607893	607903	500	1,08
	Double	607913	607923	750	1,70

- Material metal profile: anodized aluminium.  
 - Packaging: 1 strand.

● Best Seller

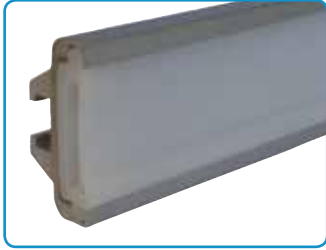
● Standard

● On request: minimum quantity may apply. Consult our Customer Service for availability.

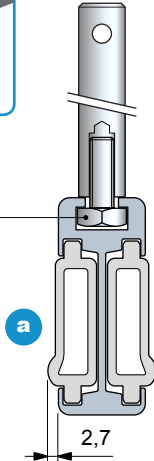
Item code for order = Part. + Code

• **Assembly Part. S0777**

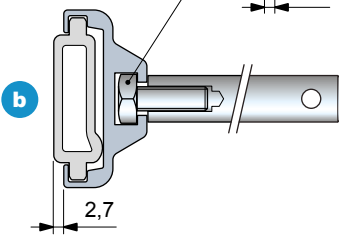
Guide can be assembly on both sides.  
 a) configuration "label protection".  
 b) containers or packages handling.



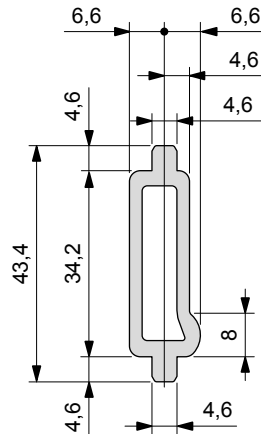
M8 hex head bolt



M8 hex head bolt



■ **Product Guide**



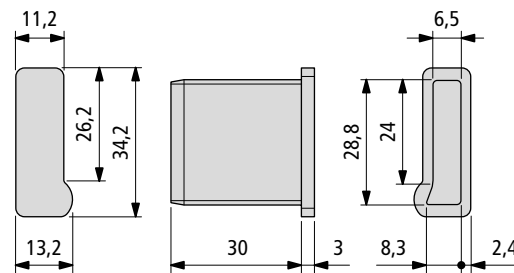
Guide material	Length metres	Code	Weight kg/m
PE	3050	<b>613223</b>	0,85
(Polyethylene white)	6100	613233	

- Packaging: 1 strand.

**Part. S0777**



■ **Closing caps**



Material	Code	Weight kg
PE (Polyethylene Black)	635393	0,10

- Packaging: 50 pieces.

**Part. S0829**



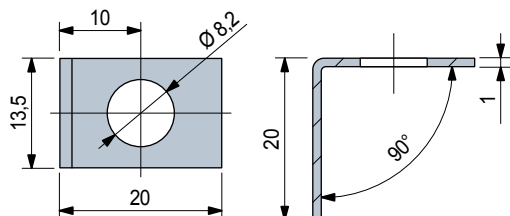
- Best Seller
- Standard
- On request: minimum quantity may apply. Consult our Customer Service for availability.

Item code for order = Part. + Code

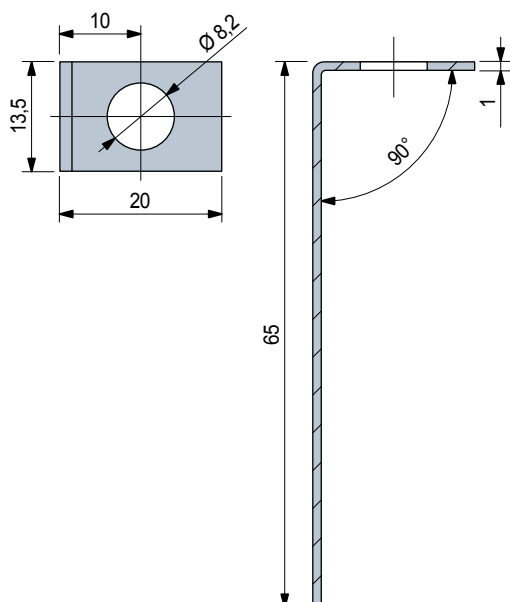
Part. **S0788**

■ End stops for Pearl Roller Guide

Short version, or side guides single and double, and centre single



Long version, for centre guides double



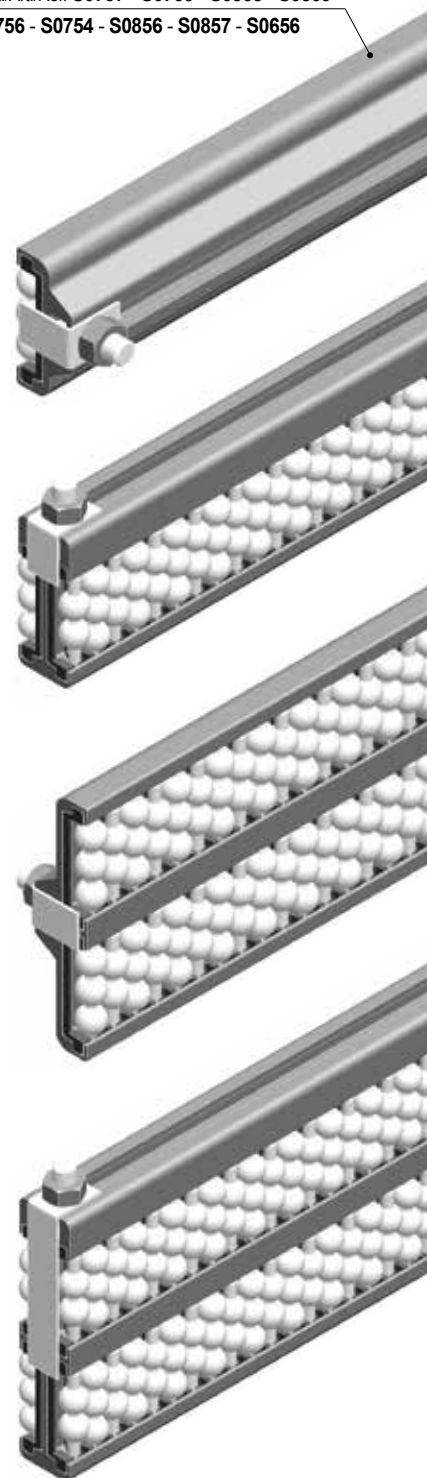
Code

Short version	615503
Long version	615513

- Material: austenitic stainless steel.
- Packaging: 50 pieces.

• Assembly Part. S0788

Part./Art./Réf. **S0757 - S0755 - S0868 - S0869**  
**S0756 - S0754 - S0856 - S0857 - S0656**



● Best Seller

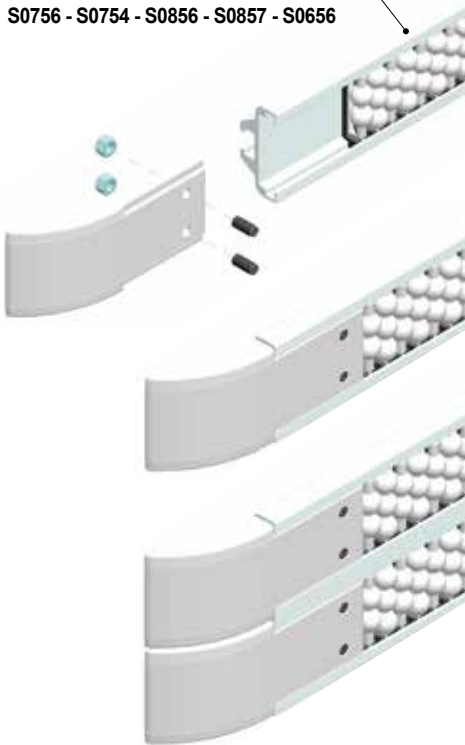
● Standard

● On request: minimum quantity may apply. Consult our Customer Service for availability.

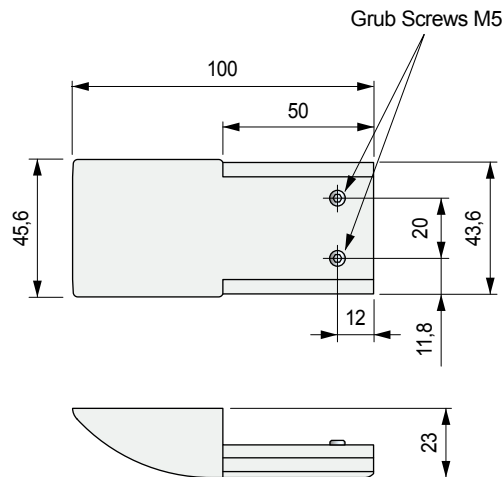
Item code for order = Part. + Code

## • Assembly Part. S0852

Part./Art./Réf. **S0757 - S0755 - S0868 - S0869**  
**S0756 - S0754 - S0856 - S0857 - S0656**



## ■ Side separation block



Code	Weight kg
<b>646633</b>	0,05

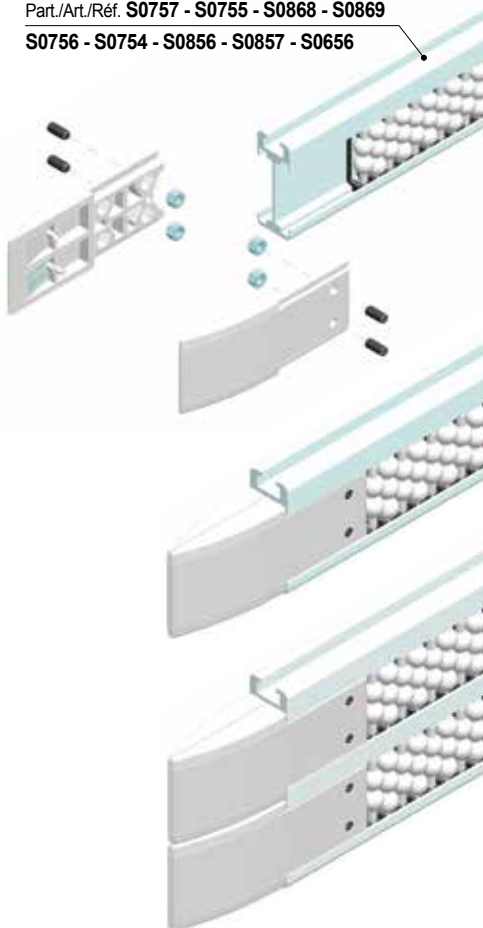
- Material: separation block in Acetal POM (white), nuts in nickel plated brass, grub screws in stainless steel.
- Packaging: 4 pieces.

## Part. S0852

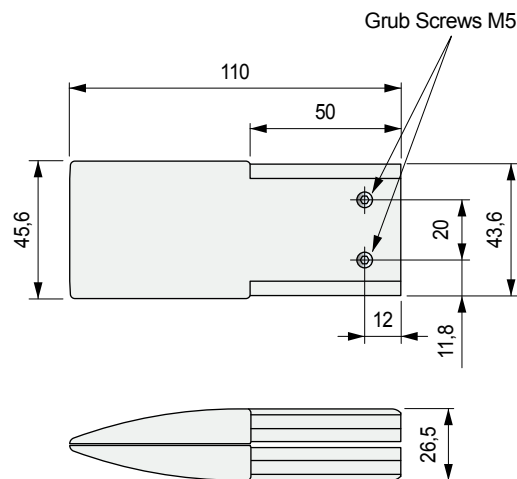


## • Assembly Part. S0854

Part./Art./Réf. **S0757 - S0755 - S0868 - S0869**  
**S0756 - S0754 - S0856 - S0857 - S0656**



## ■ Centre separation block



Code	Weight kg
<b>646643</b>	0,09

- Material: separation block in Acetal POM (white), nuts in nickel plated brass, grub screws in stainless steel.
- Packaging: 4 pairs.

## Part. S0854



- Best Seller
- Standard
- On request: minimum quantity may apply. Consult our Customer Service for availability.

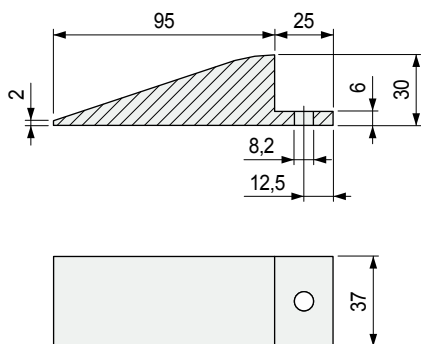
Item code for order = Part. + Code



**Part. S0760**



■ Side separation block



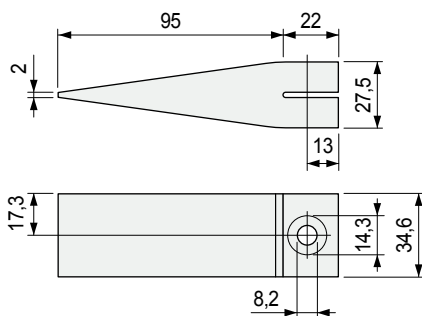
Code	Weight kg
613433	0,05

- Material: separation block in Polyethylene PE (white), bolt in austenitic stainless steel.
- Packaging: 2 pieces.

**Part. S0759**



■ Centre separation block

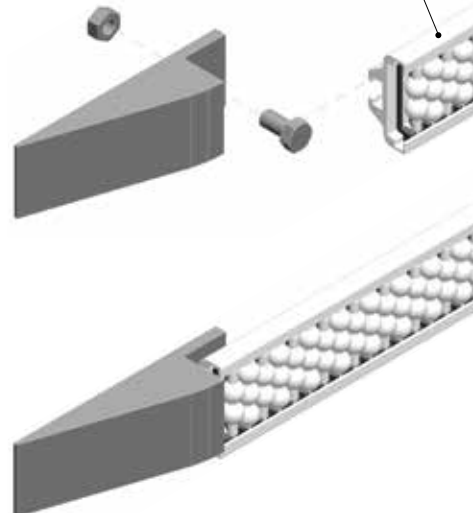


Code	Weight kg
613413	0,06

- Material: separation block in Polyethylene PE (white), bolt in austenitic stainless steel.
- Packaging: 2 pieces.

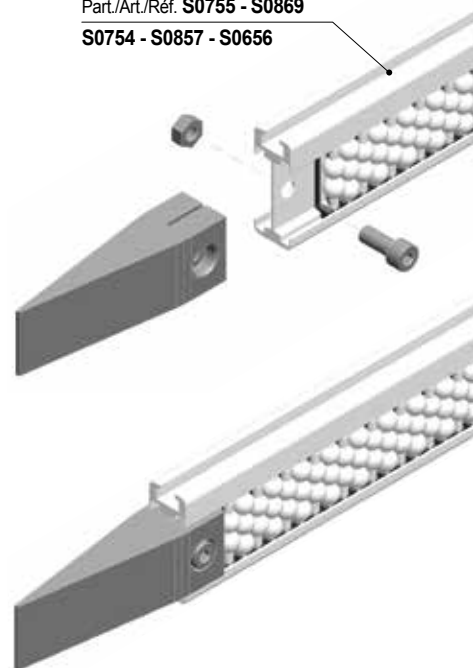
• Assembly Part. S0760

Part./Art./Réf. S0757 - S0868 - S0756 - S0856



• Assembly Part. S0759

Part./Art./Réf. S0755 - S0869  
S0754 - S0857 - S0656



● Best Seller

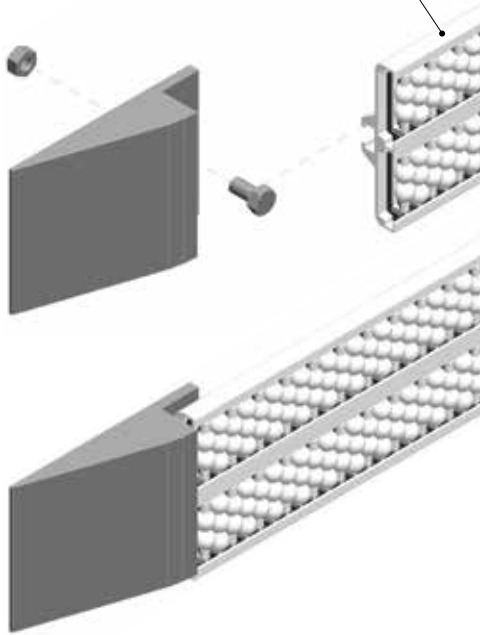
● Standard

● On request: minimum quantity may apply. Consult our Customer Service for availability.

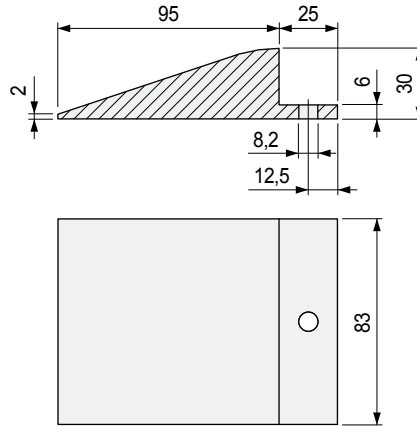
Item code for order = Part. + Code

• Assembly Part. S0760

Part./Art./Réf. S0757 - S0868 - S0756 - S0856



■ Side separation block double



Part. **S0760**

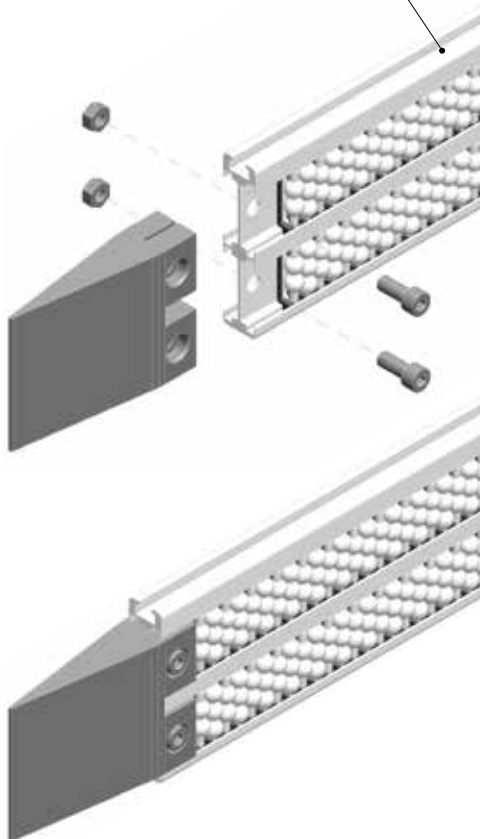


Code	Weight kg
613443	0,12

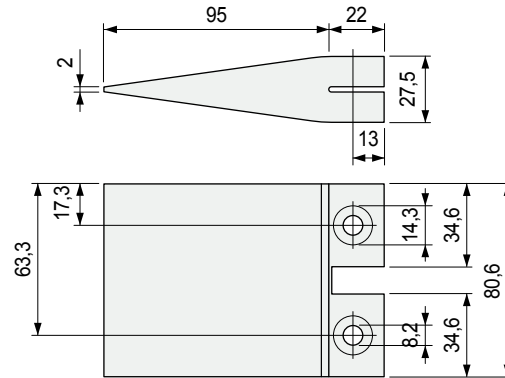
- Material: separation block in Polyethylene PE (white), bolt in austenitic stainless steel.
- Packaging: 2 pieces.

• Assembly Part. S0759

Part./Art./Réf. S0755 - S0869 - S0754 - S0857



■ Centre separation block double



Part. **S0759**



Code	Weight kg
613423	0,13

- Material: separation block in Polyethylene PE (white), bolt in austenitic stainless steel.
- Packaging: 2 pieces.

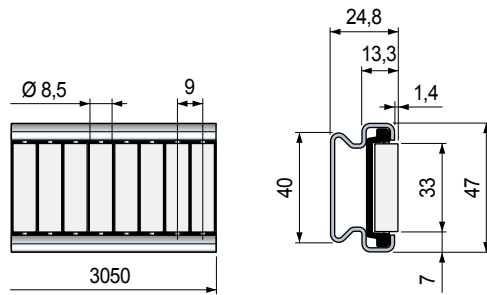
- Best Seller
- Standard
- On request: minimum quantity may apply. Consult our Customer Service for availability.

Item code for order = Part. + Code

Part. **S0870**



■ Roller side guides with cylinder rollers



Cylinder rollers

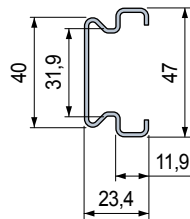
Code	Weight kg
649313	1,60

Polyethylene PE (white) **649313** 1,60

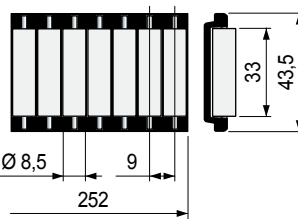
- Material: metal profile in Austenitic stainless steel, rollers module in acetal POM (black), roller pins in stainless steel.
- Standard packaging: strands 3,05 metres.
- Packaging: 2 strands.

The roller side guides can be supplied with separated components.

Metal profile



Cylinder roller module



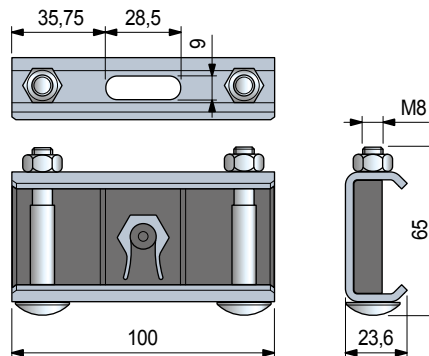
Length mm	Code	Cylinder rollers material	Code
3050	<b>649413</b>	Polyethylene PE (white)	<b>644613</b>

- Material: Austenitic stainless steel.
- Weight: 1,21 Kg/m.
- Packaging: 1 strand.

Part. **S0794**



■ Side Clamp



Metal Body	Code	Weight kg
Ferritic Stainless Steel	<b>625363</b>	0,28

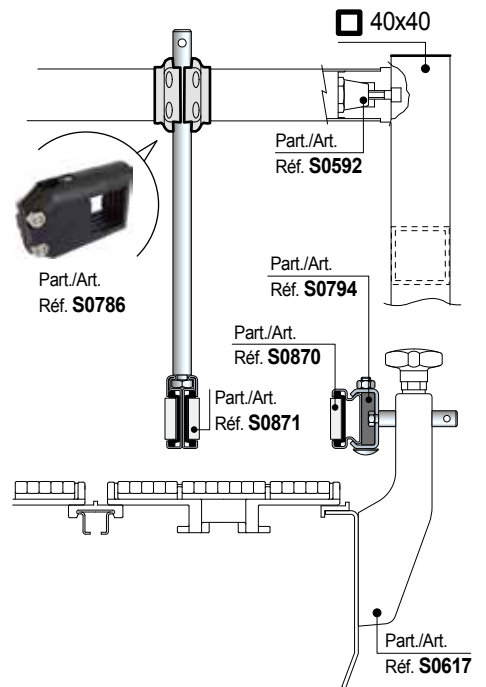
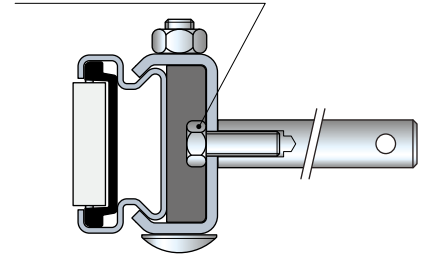
- Plastic Insert Material: POM (Black).
- Hardware: Stainless Steel.
- Packaging: 12 pieces.

• Characteristics Part. S0870

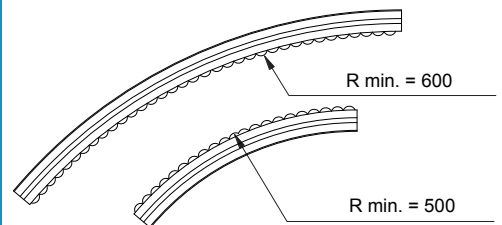
- Self supporting structure.
- Metal Profile in Austenitic stainless steel.
- Quick and easy installation by standard bolts.
- Can be used straight running and sideflexing.

• Assembly Part. S0870

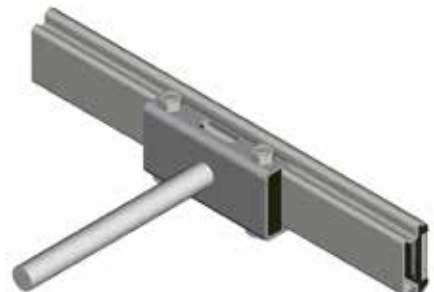
M10 hex head bolt



• Min. curvature radius Part. S0870



• Installation - side Usage



● Best Seller

● Standard

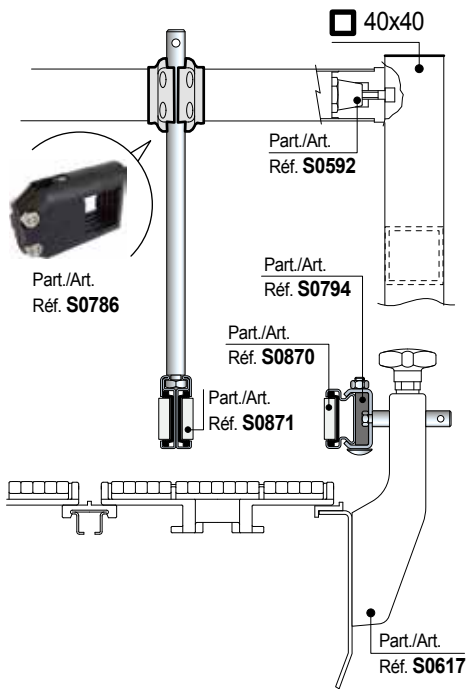
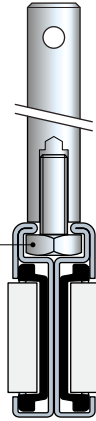
● On request: minimum quantity may apply. Consult our Customer Service for availability.

Item code for order = Part. + Code

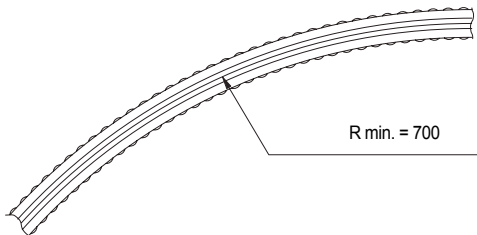
- **Characteristics** Part. S0871
  - Self supporting structure.
  - Metal Profile in Austenitic stainless steel.
  - Quick and easy installation by standard bolts.
  - Can be used straight running and sideliflexing.

• **Assembly** Part. S0871

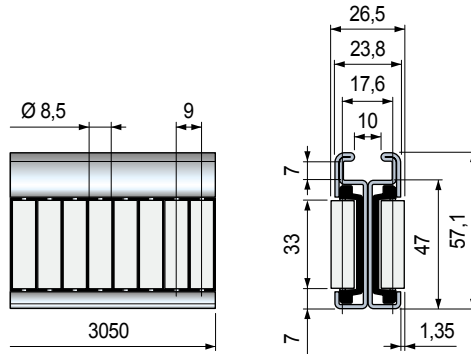
M10 hex head bolt



• **Min. curvature radius** Part. S0871



■ **Centre guide with cylinder rollers**



Cylinder rollers material

**Code**

Weight kg

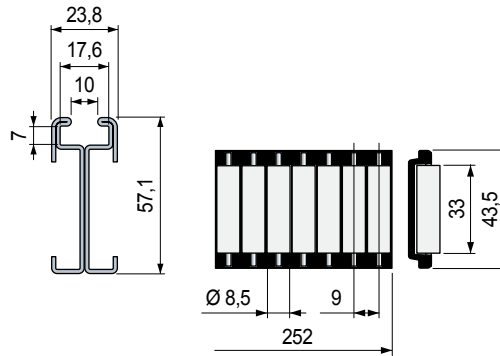
Polyethylene PE (white)	<b>649323</b>	3,10
-------------------------	---------------	------

- Material: metal profile in Austenitic stainless steel, rollers module in acetal POM (black), roller pins in stainless steel.
- Standard packaging: strands 3,05 metres.
- Packaging: 2 strands.

The roller side guides can be supplied with separated components.

**Metal profile**

**Cylinder roller module**



Length mm

**Code**

Cylinder rollers material

**Code**

3050	<b>649433</b>
------	---------------

Polyethylene PE (white)	<b>644613</b>
-------------------------	---------------

- Material: Austenitic stainless steel.
- Weight: 2,35 Kg/m.
- Packaging: 1 strand.

## Part. S0871



● **Best Seller**

● **Standard**

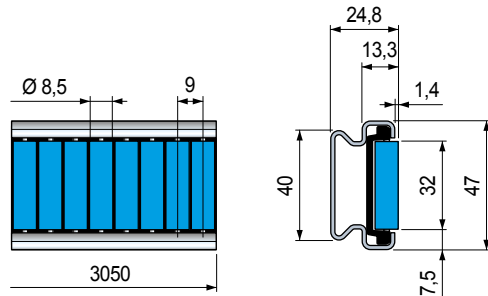
● **On request:** minimum quantity may apply. Consult our Customer Service for availability.

Item code for order = Part. + Code

Part. **S0872**



■ Roller side guides with cylinder rollers

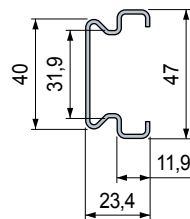


Cylinder rollers material	Code	Weight kg
SEBS Rubber (Blue)	<b>649333</b>	1,60

- Material: metal profile in Austenitic stainless steel, rollers module in acetal POM (black), roller pins in stainless steel.
- Standard packaging: strands 3,05 metres.
- Packaging: 2 strands.

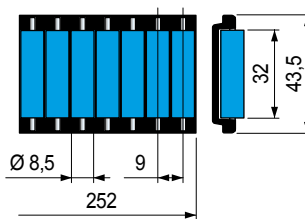
The roller side guides can be supplied with separated components.

Metal profile



Length mm	Code
3050	<b>649413</b>

Cylinder roller module



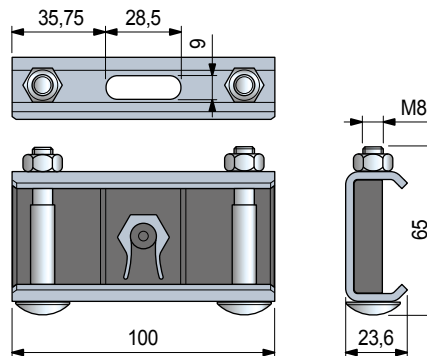
Cylinder rollers material	Code
SEBS Rubber (Blue)	<b>646523</b>

- Material: Austenitic stainless steel.
- Weight: 1,21 Kg/m.
- Packaging: 1 strand.

Part. **S0794**



■ Side Clamp



Metal Body	Code	Weight kg
Ferritic Stainless Steel	<b>625363</b>	0,28

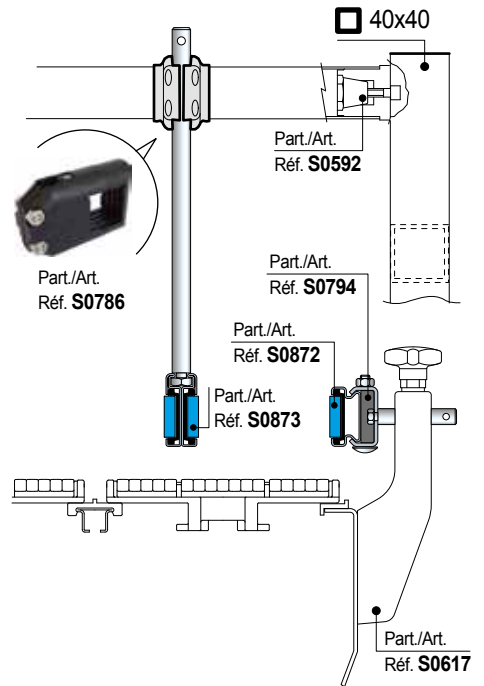
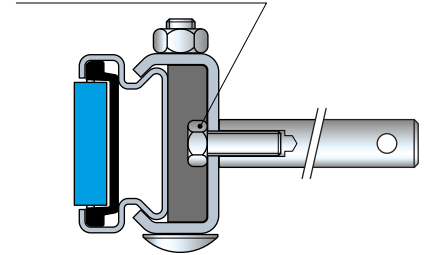
- Plastic Insert Material: POM (Black).
- Hardware: Stainless Steel.
- Packaging: 12 pieces.

• Characteristics Part. S0872

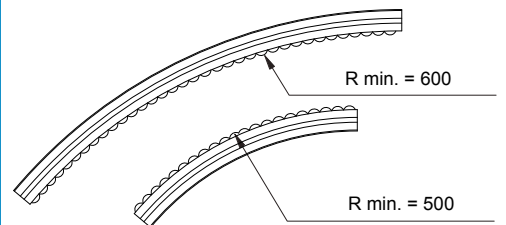
- Self supporting structure.
- Metal Profile in Austenitic stainless steel.
- Quick and easy installation by standard bolts.
- Can be used straight running and sideflexing.

• Assembly Part. S0872

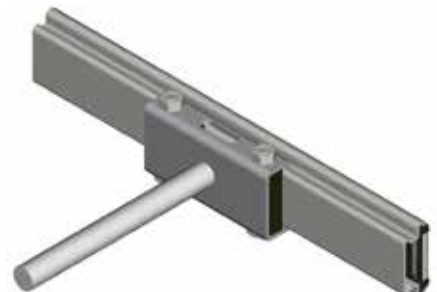
M10 hex head bolt



• Min. curvature radius Part. S0872



• Installation - side Usage



● Best Seller

● Standard

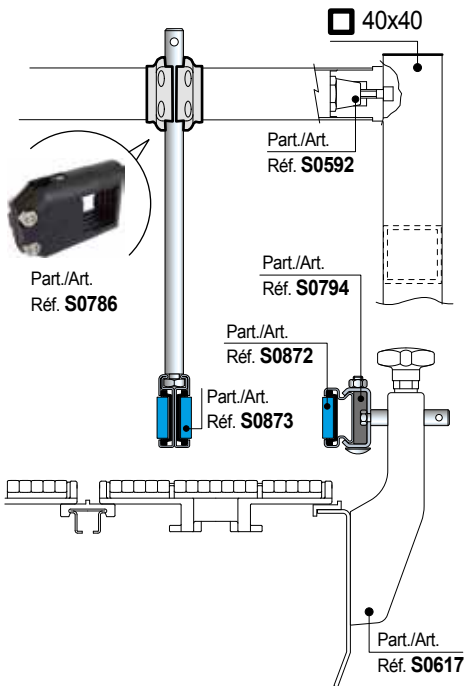
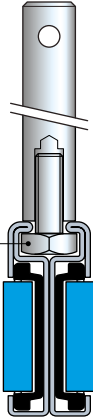
● On request: minimum quantity may apply. Consult our Customer Service for availability.

Item code for order = Part. + Code

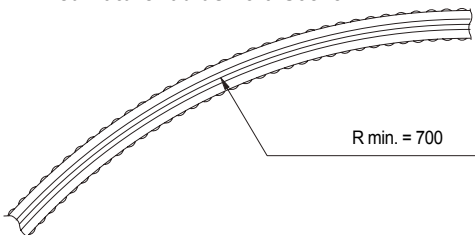
- **Characteristics** Part. S0873
  - Self supporting structure.
  - Metal Profile in Austenitic stainless steel.
  - Quick and easy installation by standard bolts.
  - Can be used straight running and sideliflexing.

- **Assembly** Part. S0873

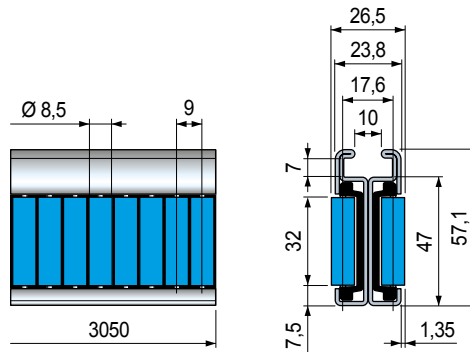
M10 hex head bolt



- **Min. curvature radius** Part. S0873



## Centre guide with cylinder rollers



Cylinder rollers material

Code

Weight kg

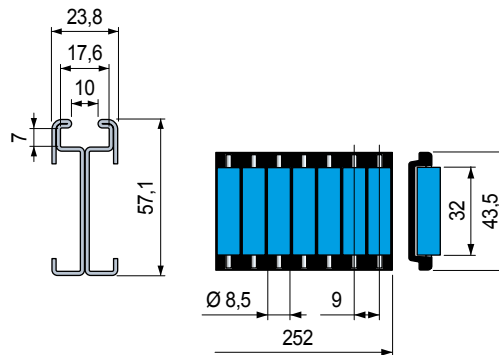
Cylinder rollers material	Code	Weight kg
SEBS Rubber (Blue)	649343	3,10

- Material: metal profile in Austenitic stainless steel, rollers module in acetal POM (black), roller pins in stainless steel.
- Standard packaging: strands 3,05 metres.
- Packaging: 2 strands.

The roller side guides can be supplied with separated components.

**Metal profile**

**Cylinder roller module**



Length mm

Code

Cylinder rollers material

Code

Length mm	Code	Cylinder rollers material	Code
3050	649433	SEBS Rubber (Blue)	646523

- Material: Austenitic stainless steel.
- Weight: 2,35 Kg/m.
- Packaging: 1 strand.

## Part. S0873



● Best Seller

● Standard

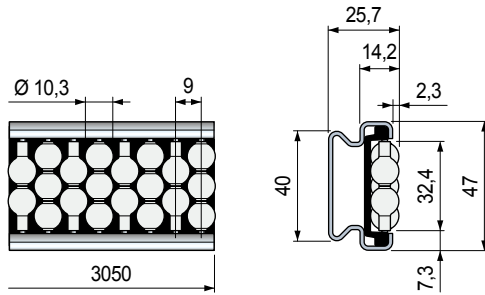
● On request: minimum quantity may apply. Consult our Customer Service for availability.

Item code for order = Part. + Code

Part. **S0874**



■ Pearl roller side guide

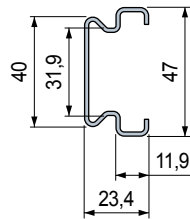


Pearl material	Code	Weight kg
Polyethylene PE (Aubergine)	<b>649353</b>	1,55
Polyethylene PE (white)	<b>649363</b>	

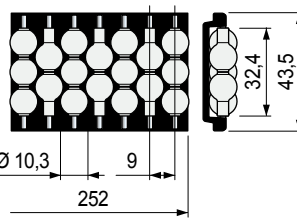
- Material: metal profile in Austenitic stainless steel, rollers module in acetal POM (black), roller pins in stainless steel.
- Standard packaging: strands 3,05 metres.
- Packaging: 2 strands.

The roller side guides can be supplied with separated components.

Metal profile



Pearls module



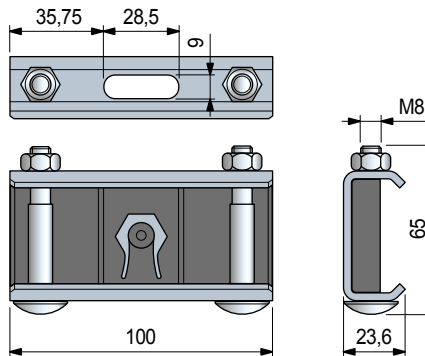
Length mm	Code	Materiale Perle™	Code
3050	<b>649413</b>	Polyethylene PE (Aubergine)	<b>644653</b>
		Polyethylene PE (white)	<b>644633</b>

- Material: Austenitic stainless steel.
- Weight: 1,21 Kg/m.
- Packaging: 1 strand.

Part. **S0794**



■ Side Clamp



Metal Body	Code	Weight kg
Ferritic Stainless Steel	<b>625363</b>	0,28

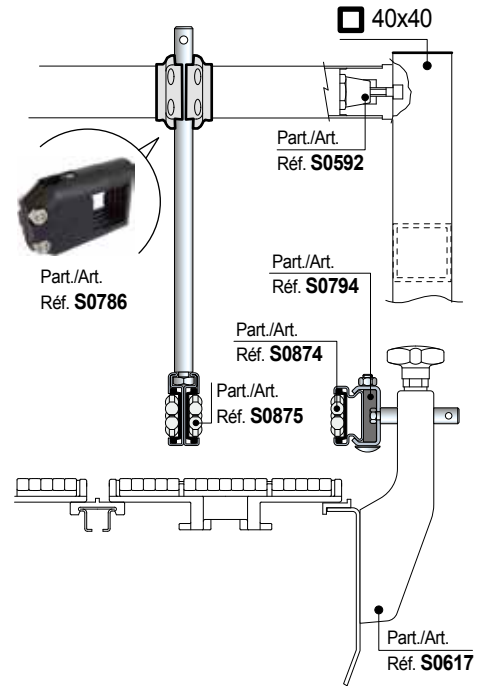
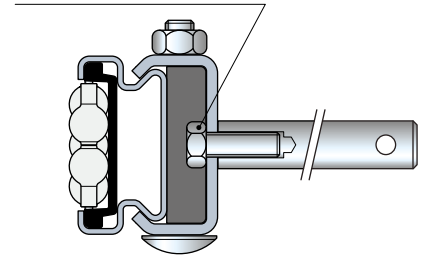
- Plastic Insert Material: POM (Black).
- Hardware: Stainless Steel.
- Packaging: 12 pieces.

• Characteristics Part. S0874

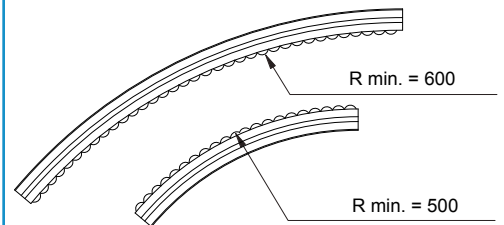
- Self supporting structure.
- Metal Profile in Austenitic stainless steel.
- Quick and easy installation by standard bolts.
- Can be used straight running and sidexfing.

• Assembly Part. S0874

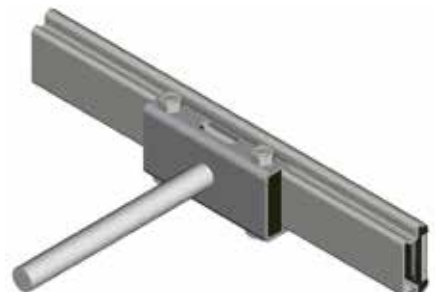
M10 hex head bolt



• Min. curvature radius Part. S0874



• Installation - side Usage



● Best Seller

● Standard

● On request: minimum quantity may apply. Consult our Customer Service for availability.

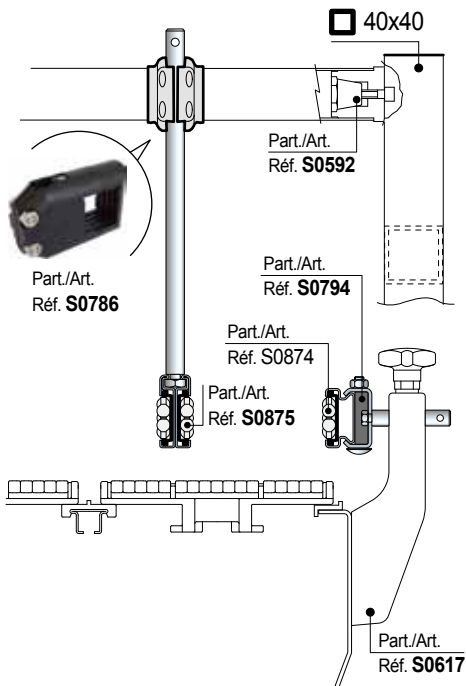
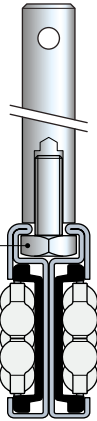
Item code for order = Part. + Code

• **Characteristics** Part. S0875

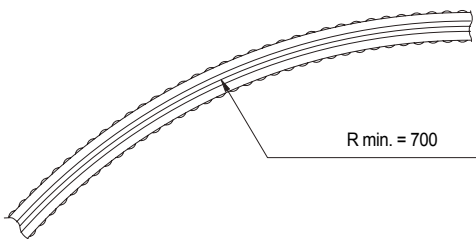
- Self supporting structure.
- Metal Profile in Austenitic stainless steel.
- Quick and easy installation by standard bolts.
- Can be used straight running and sidelifing.

• **Assembly** Part. S0875

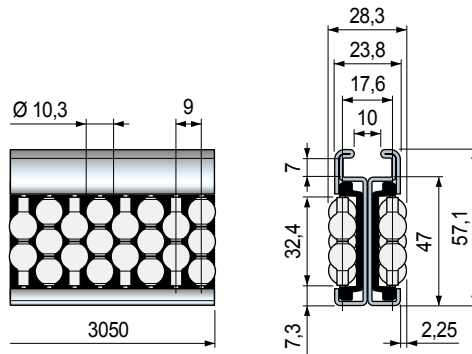
M10 hex head bolt



• **Min. curvature radius** Part. S0875



■ **Pearls roller centre guide**



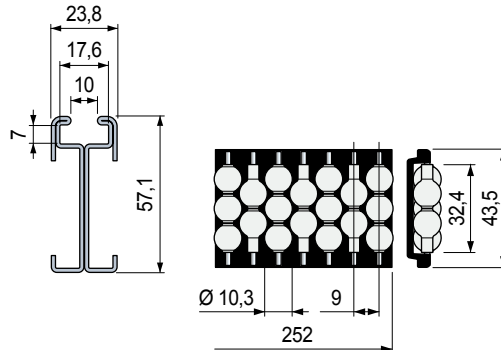
Pearl material	Code	Weight kg
Polyethylene PE (Aubergine)	<b>649373</b>	3,02
Polyethylene PE (white)	<b>649383</b>	

- Material: metal profile in Austenitic stainless steel, rollers module in acetal POM (black), roller pins in stainless steel.
- Standard packaging: strands 3,05 metres.
- Packaging: 2 strands.

The roller side guides can be supplied with separated components.

**Metal profile**

**Pearls module**



Length mm	Code	Materiale Perle™	Code
3050	<b>649433</b>	Polyethylene PE (Aubergine)	<b>644653</b>
		Polyethylene PE (white)	<b>644633</b>

- Material: Austenitic stainless steel.
- Weight: 2,35 Kg/m.
- Packaging: 1 strand.

## Part. S0875



● **Best Seller**

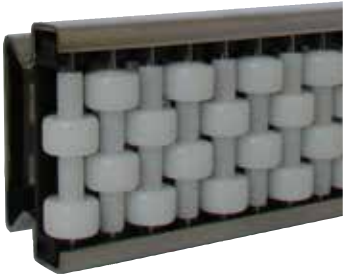
● **Standard**

● **On request:** minimum quantity may apply. Consult our Customer Service for availability.

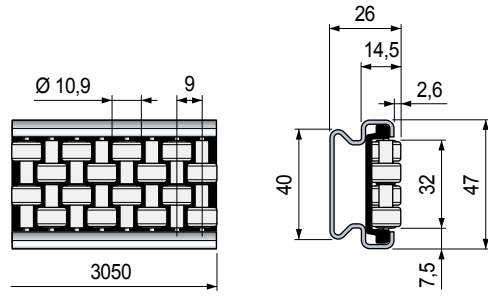
Item code for order = Part. + Code



Part. **S0876**



Roller side guides

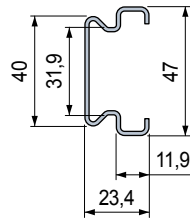


Rollers material	Code	Weight kg
Acetal POM (white)	<b>649393</b>	1,58

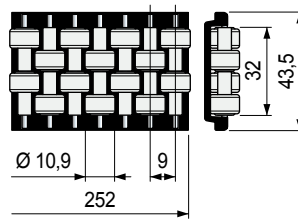
- Material: metal profile in Austenitic stainless steel, rollers module in acetal POM (black), roller pins in stainless steel.
- Standard packaging: strands 3,05 metres.
- Packaging: 2 strands.

The roller side guides can be supplied with separated components.

Metal profile



Roller module



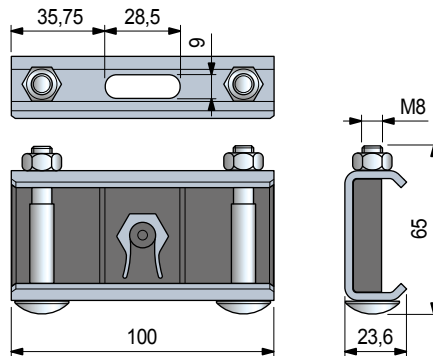
Length mm	Code	Rollers material	Code
3050	<b>649413</b>	Acetal POM (white)	<b>644673</b>

- Material: Austenitic stainless steel.
- Weight: 1,21 Kg/m.
- Packaging: 1 strand.

Part. **S0794**



Side Clamp



Metal Body	Code	Weight kg
Ferritic Stainless Steel	<b>625363</b>	0,28

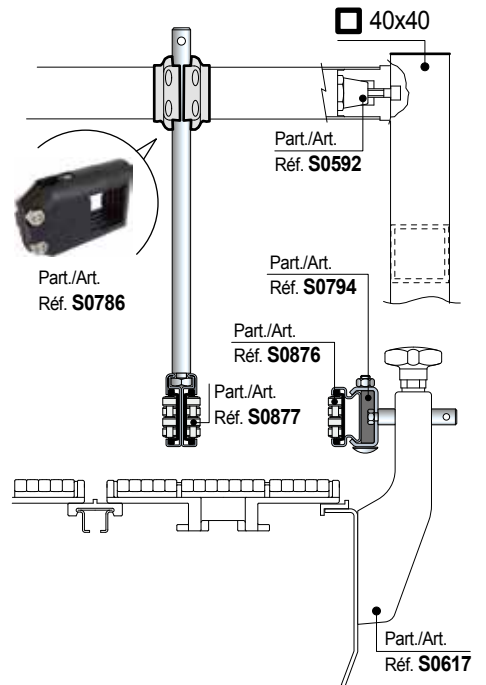
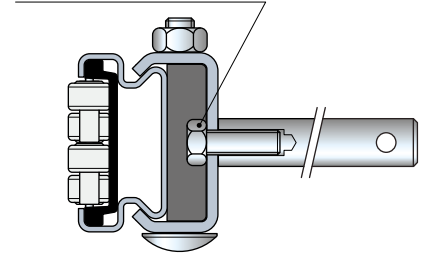
- Plastic Insert Material: POM (Black).
- Hardware: Stainless Steel.
- Packaging: 12 pieces.

Characteristics Part. S0876

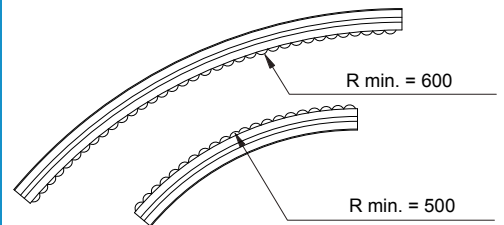
- Self supporting structure.
- Metal Profile in Austenitic stainless steel.
- Quick and easy installation by standard bolts.
- Can be used straight running and sideliflexing.

Assembly Part. S0876

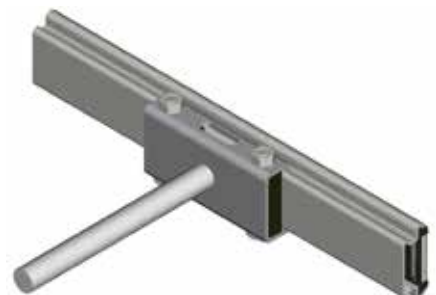
M10 hex head bolt



Min. curvature radius Part. S0876



Installation - side Usage



Best Seller

Standard

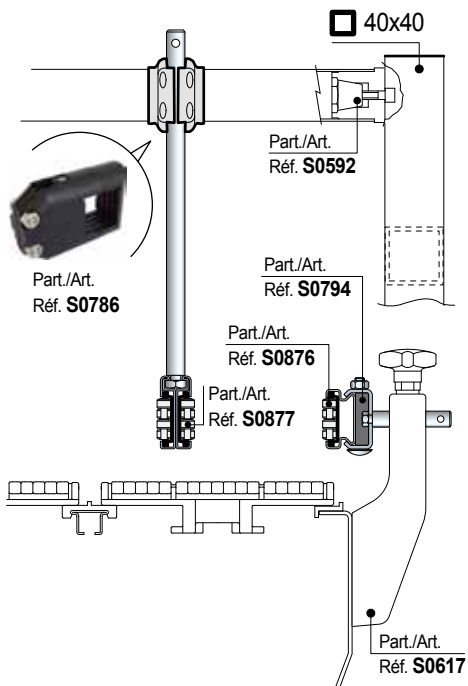
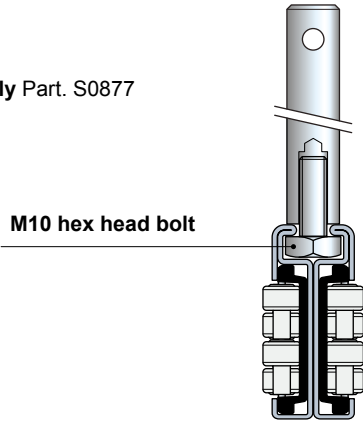
On request: minimum quantity may apply. Consult our Customer Service for availability.

Item code for order = Part. + Code

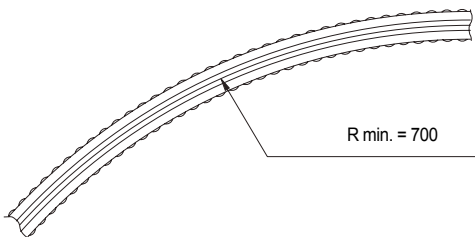
• **Characteristics** Part. S0877

- Self supporting structure.
- Metal Profile in Austenitic stainless steel.
- Quick and easy installation by standard bolts.
- Can be used straight running and sideflexing.

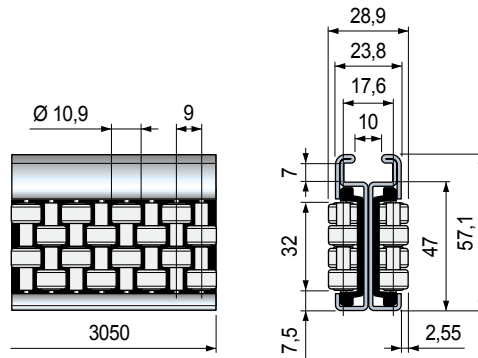
• **Assembly** Part. S0877



• **Min. curvature radius** Part. S0877



■ **Roller centre guides**

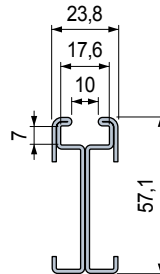


Rollers material	Code	Weight kg
Acetal POM (white)	<b>649403</b>	3,08

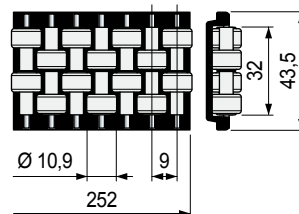
- Material: metal profile in Austenitic stainless steel, rollers module in acetal POM (black), roller pins in stainless steel.
- Standard packaging: strands 3,05 metres.
- Packaging: 2 strands.

The roller side guides can be supplied with separated components.

**Metal profile**



**Roller module**



Length mm	Code	Rollers material	Code
3050	<b>649433</b>	Acetal POM (white)	<b>644673</b>

- Material: Austenitic stainless steel.
- Weight: 2,35 Kg/m.
- Packaging: 1 strand.

**Part. S0877**



- Best Seller
- Standard
- On request: minimum quantity may apply. Consult our Customer Service for availability.

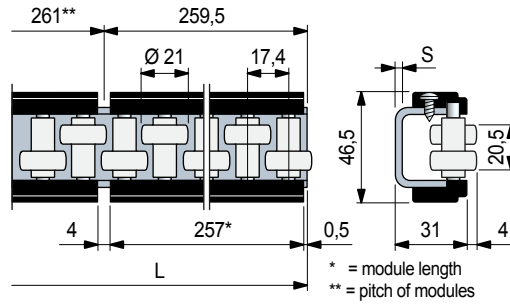
Item code for order = Part. + Code

**Part. S0128S**

Sideflexing



■ Roller side guides



S mm	L mm	Metal profile and screws material	Code	Weight kg/m
------	------	-----------------------------------	------	-------------

**Part. S0128S Sideflexing**

2	3129	Zinc plated steel	<b>6413600</b>	2,06
		Austenitic stainless steel	<b>6346600</b>	

**Part. S0128 Straight run**

1041	2085	Zinc plated steel	<b>64531</b>	2,6
		Austenitic stainless steel	<b>62640</b>	
3	3129	Zinc plated steel	<b>64541</b>	2,6
		Austenitic stainless steel	<b>62670</b>	
3129	3129	Zinc plated steel	<b>64551</b>	2,6
		Austenitic stainless steel	<b>63350</b>	

- Material: rollers in acetal POM (white).  
Side straps in polyamide PA (black).  
Roller pins in ferritic stainless steel.

- Packaging: 2 strands.

- Accessories:



Guide - Rail Clamps.



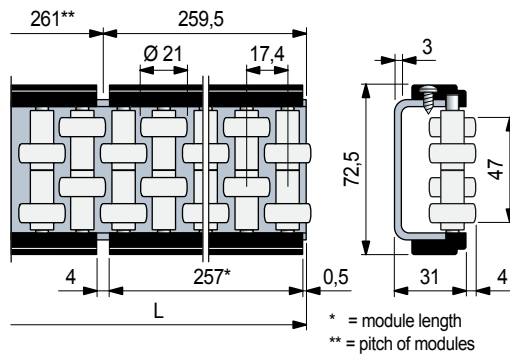
Guide rail bending machine (manual) Part. S0218.

**Part. S0128**

Straight run



■ Roller side guides



L mm	Metal profile and screws material	Code	Weight kg/m
------	-----------------------------------	------	-------------

1041	Zinc plated steel	<b>64501</b>	3,8
	Austenitic stainless steel	<b>62650</b>	

2085	Zinc plated steel	<b>64511</b>	3,8
	Austenitic stainless steel	<b>62680</b>	

3129	Zinc plated steel	<b>64521</b>	3,8
	Austenitic stainless steel	<b>63340</b>	

- Material: rollers in acetal POM (white).  
Side straps in polyamide PA (black).  
Roller pins in ferritic stainless steel.

- Packaging: 2 strands.

- Accessories:



Guide - Rail Clamps.

**Part. S0128**

Straight run



● Best Seller

● Standard

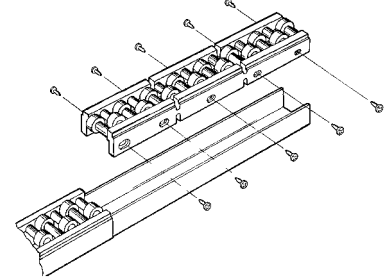
● On request: minimum quantity may apply. Consult our Customer Service for availability.

Item code for order = Part. + Code

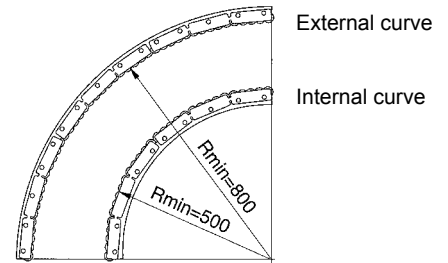
• Use of Part. S0128S - S0128  
Rugged containers (ex. cases, cartons).

• Modular system

Guides are made of 257 mm long modules fixed on a metal "C" profile.



• Min. curvature radius (only for Part. S0128S)



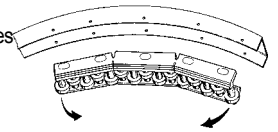
Curving procedure

- Disassemble the modules

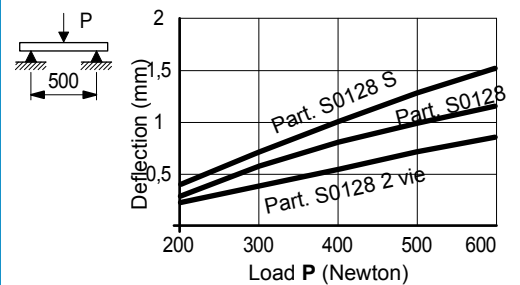
- Curve the metal profile using the manual bending machine.

- Reassemble the modules

(the flexibility of the side straps make them easily adaptable to the curved profile).



• Deflection of Part. S0128S - S0128

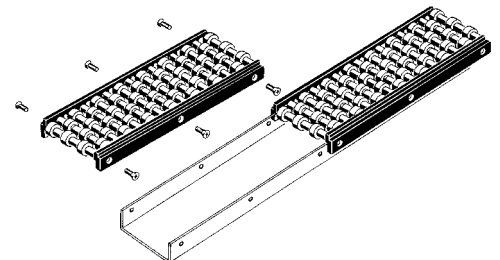


• Use of Part. S0128

Rugged containers (ex. cases, cartons).

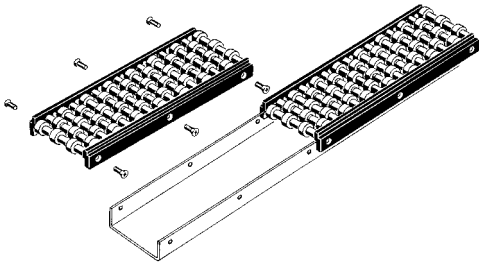
• Modular system Part. S0128

Guides are made of 257 mm long modules fixed on a metal "C" profile.

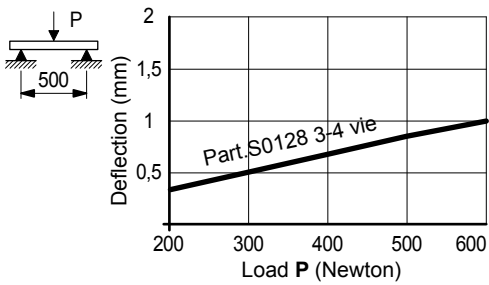


- **Use of Part. S0128**  
Rugged containers (ex. cases, cartons).

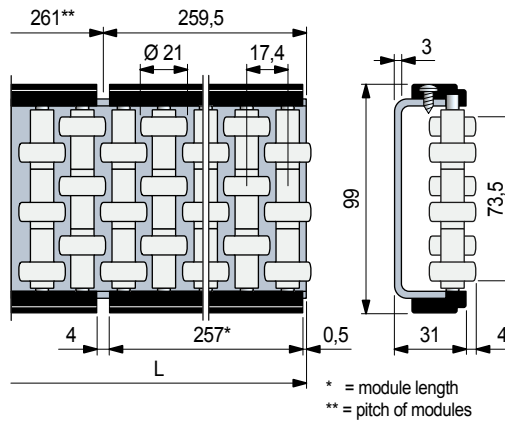
- **Modular system**  
Guides are made of 257 mm long modules fixed on a metal "C" profile.



- **Deflection of Part. S0128**



## Roller side guides

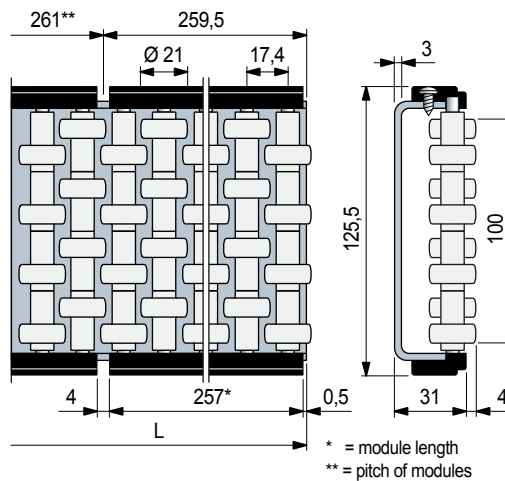


L mm	Metal profile and screws material	Code	Weight kg/m
1041	Zinc plated steel	64471	5,0
	Austenitic stainless steel	62660	
2085	Zinc plated steel	64481	5,0
	Austenitic stainless steel	62690	
3129	Zinc plated steel	64491	5,0
	Austenitic stainless steel	62890	

- Material: rollers in acetal POM (white). Side straps in polyamide PA (black). Roller pins in ferritic stainless steel.
- Packaging: 2 strands.
- Accessories:



## Roller side guides



L mm	Metal profile and screws material	Code	Weight kg/m
3129	Austenitic stainless steel	609753	6,2

- Material: rollers in acetal POM (white). Side straps in polyamide PA (black). Roller pins in ferritic stainless steel.
- Packaging: 2 strands.
- Accessories:



## Part. S0128

Straight run



## Part. S0128

Straight run










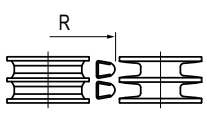

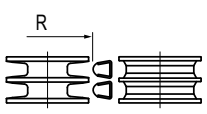


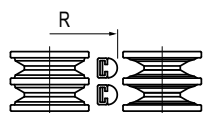

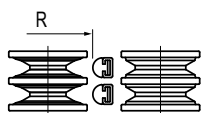


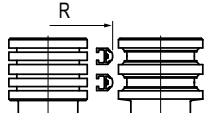
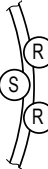
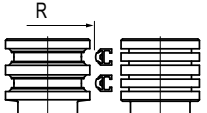


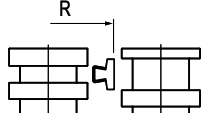

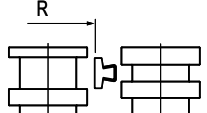



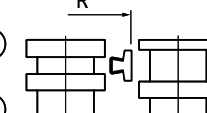

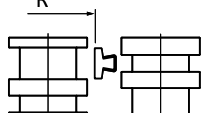


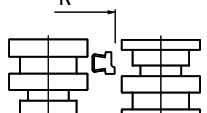

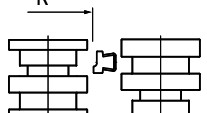

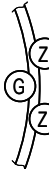
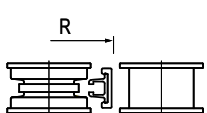
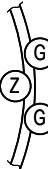
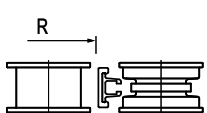


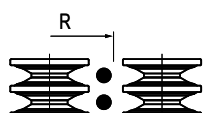

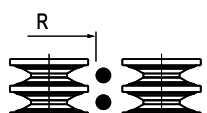
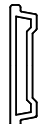
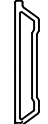

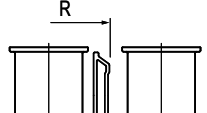
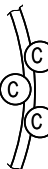
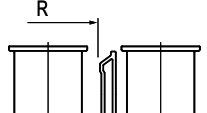
- Best Seller
- Standard
- On request: minimum quantity may apply. Consult our Customer Service for availability.

Item code for order = Part. + Code

**Part. S0233**


**Rollers for bending**



Part.	Types of guides to be bent	Internal curve position of rollers	External curve positions of rollers	Code	No. of rollers
S0233	<b>S0219</b> <b>S0393</b>   <b>S0317</b> <b>S0308</b>   <b>S0223</b> <b>S0715</b>  	  $R_{min} = 145$	  $R_{min} = 145$	62791	4
	<b>S0247</b> 	  $R_{min} = 145$	  $R_{min} = 145$	62811	4
	<b>S0346</b> 	  $R_{min} = 110$	  $R_{min} = 110$	64374	4
	<b>S0273</b> 	  $R_{min} = 160$	  $R_{min} = 160$	69232	3
	<b>S0768</b> <b>S0767</b>  	  $R_{min} = 160$	  $R_{min} = 160$	621993	3
	<b>S0596</b> 	  $R_{min} = 160$	  $R_{min} = 160$	621462	3
	<b>S0422</b> 	  $R_{min} = 280$	  $R_{min} = 280$	68179	4
	Steel rods dia. 8 to 14* mm 	  $R_{min} = 145$	  $R_{min} = 145$	62821	3
	<b>S0191</b> <b>S0296</b>  	  $R_{min} = 200$	  $R_{min} = 200$	62801	3

 Best Seller

 Standard

 On request: minimum quantity may apply. Consult our Customer Service for availability.

Item code for order = Part. + Code

Part.	Types of guides to be bent	Internal curve position of rollers	External curve positions of rollers	Code	No. of rollers
S0233	S0537 	 R min = 500	 R min = 500	689371	4
	S0765 	 R min = 200	 R min = 200	621983	3
	S0128 S 	 R min = 500	 R min = 800	64566	4

- Material: steel (the rollers for Part. S0346 - S0273 - S0596 - S0356, are supplied in polyamide PA black).
- Packaging: 1 series of rollers.
- Double race rollers allow two guides to be bent at the same time.
- ∙: Steel rods dia.14 mm, can be bent only one at a time (use the lower groove to give less stress to the machine).

### Bending procedure

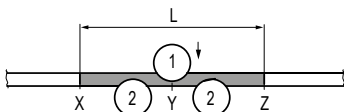
1 - Calculate the length of the section to be bent L.

$$L = R \cdot K$$

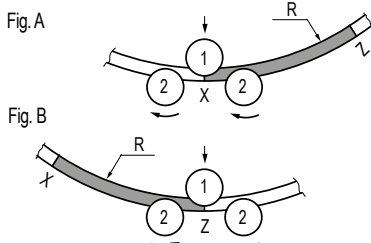
R = bend radius.  
K = bend coefficient.

bend angle (degrees)	30°	60°	90°	120°	150°	180°
bend coefficient K	0,5	1	1,5	2	2,5	3

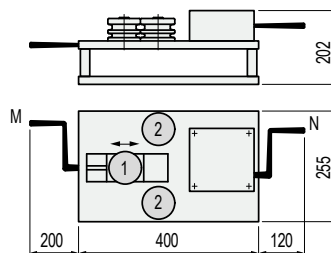
2 - Sign the length L on the profile to be bent, with (X) starting point, (Z) end point and (Y) middle point. Acting on handle (M), displace roller (1) to contact the profile



3 - Acting on handle (M), adjust the displacement to obtain the right radius (more displacement, smaller radius). Acting on handle (N), rollers (2) rotate and move the profile to position X (picture A) or Z (picture B). To obtain the desired radius it is necessary a minimum of two shifts. To get a seamless transition from straight section to curve section and vice-versa it is necessary to exceed points X and Z by 20 mm.



### Guide rail bending machine (manual)

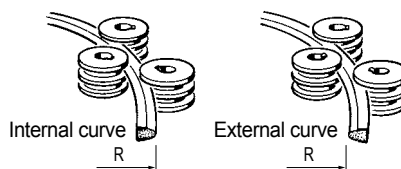


Code	Weight kg
60151	23

- Functioning: manual.
- Packaging: 1 bending machine.
- Accessories: rollers for bending Part. S0233.

- The bending machine is made with 3 shafts for rollers, hand driven. Handle (M), displaces roller (1), to determine the bending radius. Handle (N), actions the rotation of rollers (2).
- The rollers are supplied as separate accessories. Each type of guide needs specific rollers, according to the table below. Double groove rollers allow two profiles bending at one time.

- Both internal and external bends can be made.



## Part. S0218

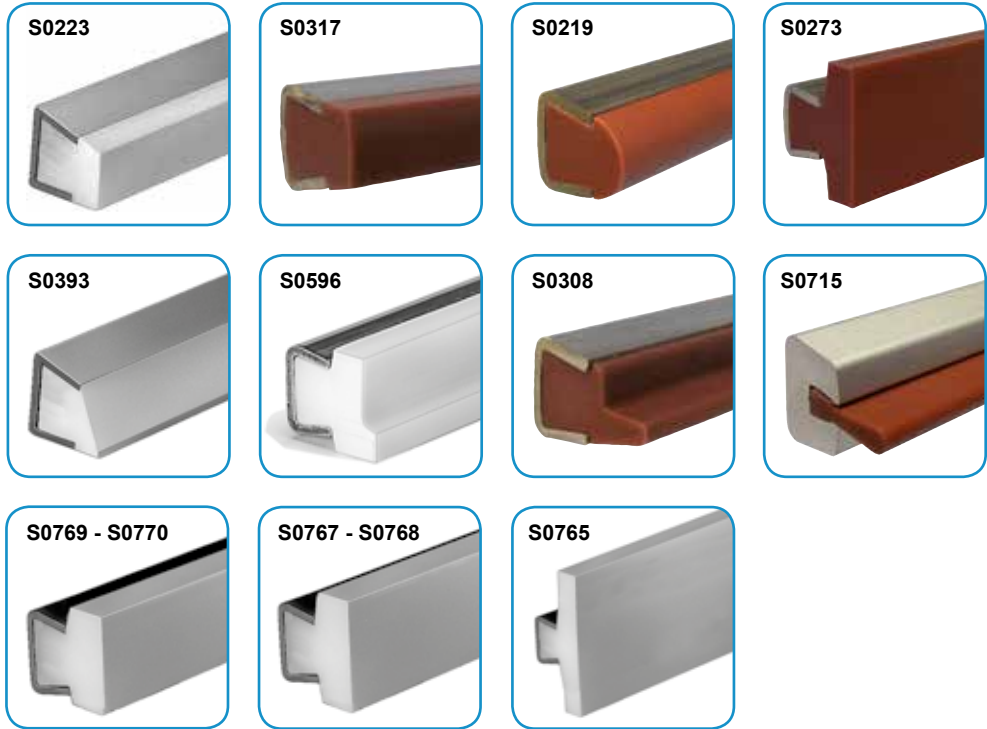


- Best Seller
- Standard
- On request: minimum quantity may apply. Consult our Customer Service for availability.

Item code for order = Part. + Code

**Guide - Rail Clamps for**

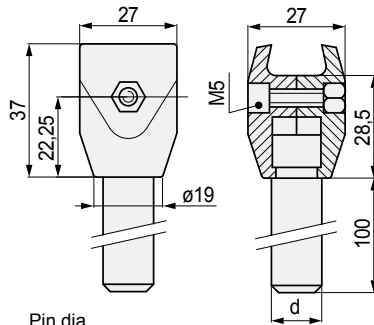
- Part. S0223
- Part. S0317
- Part. S0219
- Part. S0273
- Part. S0393
- Part. S0596
- Part. S0308
- Part. S0715
- Part. S0765
- Part. S0767
- Part. S0768
- Part. S0769
- Part. S0770



**Part. S0210P**



**Guide rail clamp**



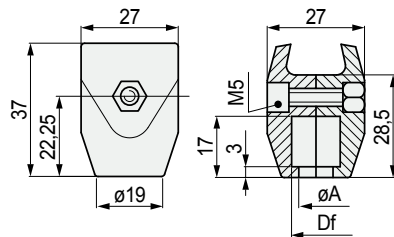
Pin dia. d mm	Code	Weight kg
12	6203910	0,12
14	6185510	0,15

- Material: guide rail clamps in reinforced polyamide PA FV (black). Pin in austenitic stainless steel. Bolt in austenitic stainless steel. Nut in nickel plated brass.
- Packaging: 50 pieces.

**Part. S0210**



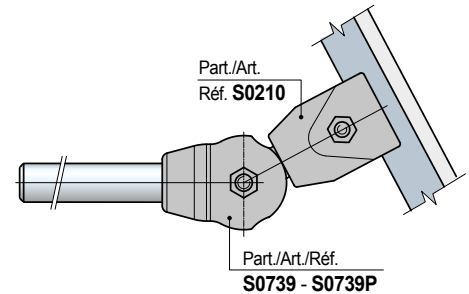
**Guide rail clamp**



Use	Bore dia. Df mm	Ø A mm	Code	Weight kg
for pins dia. 12	12	10	600372	0,02
for pins dia. 14	13,5	11,5	59941	

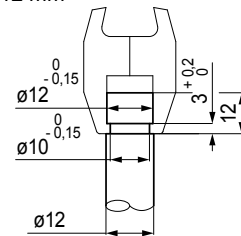
- Material: guide rail clamps in reinforced polyamide PA FV (black). Bolt in austenitic stainless steel. Nut in nickel plated brass.
- Packaging: 100 pieces.
- Accessories: swivel pin connection Part. S0739 - S0739P.

- **Swivel pin connection** Part. S0739 - S0739P  
Use for conveyors with (format change). They allow an easy regulation of product-guides on corner tracks.

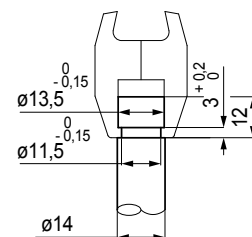


**Pin dimensions for Part. S0210**

Pin dia. 12 mm



Pin dia. 14 mm



● Best Seller

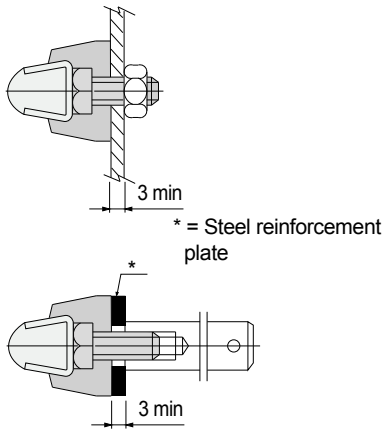
● Standard

● On request: minimum quantity may apply. Consult our Customer Service for availability.

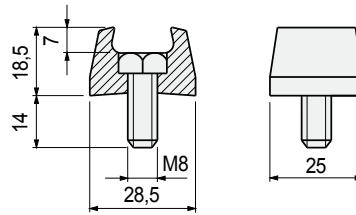
Item code for order = Part. + Code

for Part. S0223 - S0317 - S0219 - S0273 - S0393 - S0596 - S0308 - S0715 - S0765 - S0767 - S0768 - S0769 - S0770

• Assembly of Part. S0275



■ Guide rail clamp



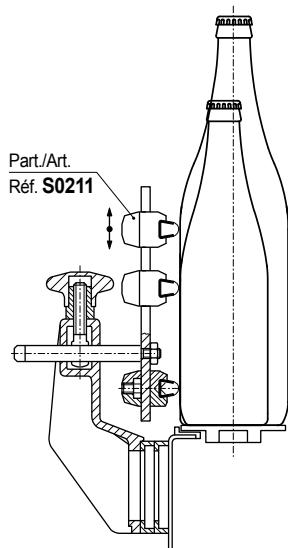
Part. **S0275**



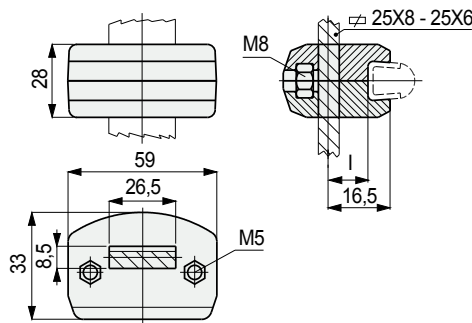
Code	Weight kg
66811	0,02

- Material: guide rail clamps in acetal POM (Black), bolt in austenitic stainless steel.
- Packaging: 100 pieces.

• Assembly of Part. S0211  
Unlimited height adjustment possible



■ Adjustable guide rail clamp



Part. **S0211**

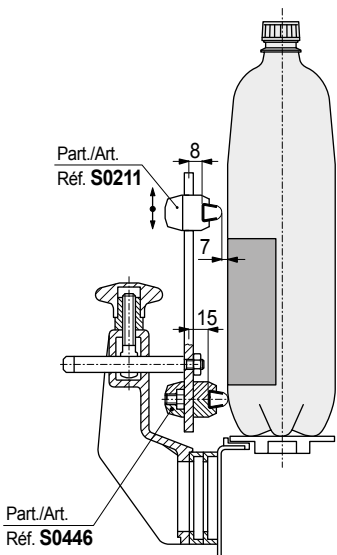


Distance I = 8 mm

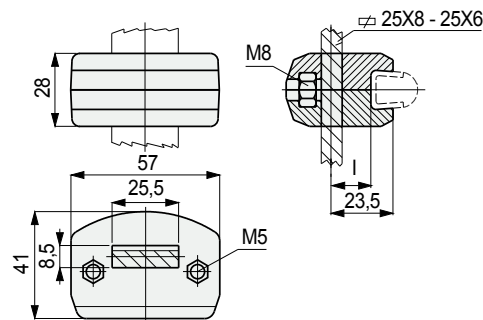
I mm	Code	Weight kg
8	59961	0,05

- Material: guide rail clamps in reinforced polyamide PA FV (black). Bolt in austenitic stainless steel. Nut in nickel plated brass.
- Packaging: 100 pieces.

• Assembly of Part. S0211- S0446  
PET bottle movement (subject to swelling)



■ Adjustable guide rail clamp



Part. **S0446**



Distance I = 15 mm

I mm	Code	Weight kg
15	607651	0,05

- Material: guide rail clamps in reinforced polyamide PA FV (black). Bolt in austenitic stainless steel. Nut in nickel plated brass.
- Packaging: 50 pieces.

● Best Seller

● Standard

● On request: minimum quantity may apply. Consult our Customer Service for availability.

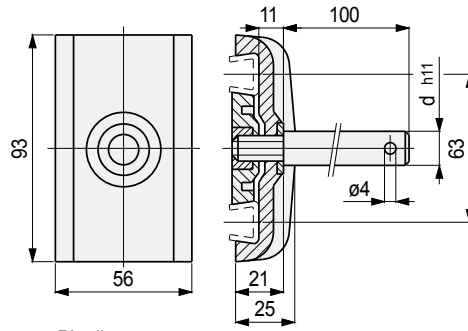
Item code for order = Part. + Code



for Part. S0223 - S0317 - S0219 - S0273 - S0393 - S0596 - S0308 - S0715 - S0765 - S0767 - S0768 - S0769 - S0770

**Part. S0213**

■ Double guide rail clamp



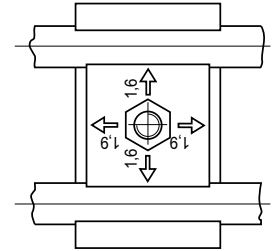
Pin dia. d mm	Code	Weight kg
12	60091	0,19
14	60181	0,22
16	60191	0,25

- Material: guide rail clamp in reinforced polyamide PA FV (black).
- Pin in austenitic stainless steel.
- Washer in austenitic stainless steel.
- Nut in nickel plated brass.
- Packaging: 50 pieces.

• Assembly of Part. S0213

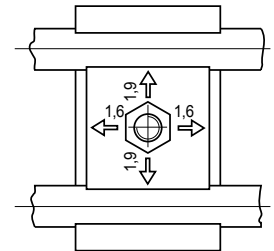
The plate inside the clamp must be positioned to suit the thickness of the guide.

Position of plate for assembly of guides of thickness  $s = 1,5$ .



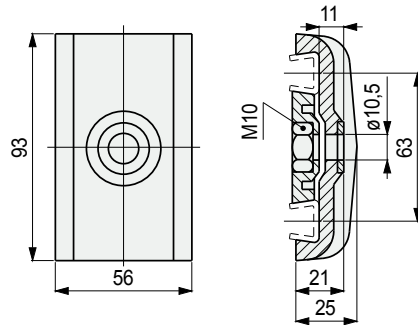
Position of plate for assembly of guides of thickness  $s = 2$ .

The plate is turned through 90°.



**Part. S0213**

■ Double guide rail clamp

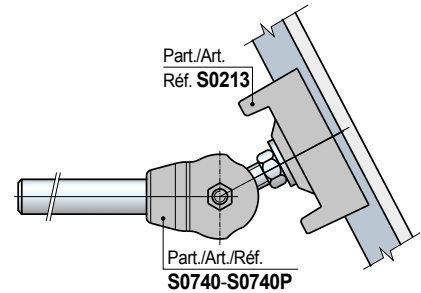


Code	Weight kg
60101	0,08

- Material: guide rail clamp in reinforced polyamide PA FV (black).
- Washer in austenitic stainless steel.
- Nut in nickel plated brass.
- Packaging: 50 pieces.
- Accessories: swivel pin connection Part. S0749 - S0740P.

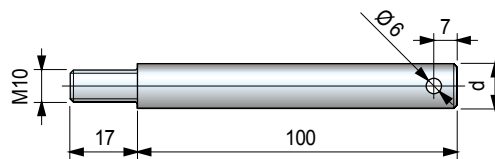
• Swivel pin connection Part. S0740 - S0740P

Use for conveyors with (format change). They avoid an easy regulation of product-guides on corner tracks. See page S112.



**Part. S0000**

■ Rod for Part. S0213



Pin dia. d mm	Code	Weight kg
12	65794	0,11
14	66004	0,14
16	66654	0,18

- Material: austenitic stainless steel.
- Packaging: 50 pieces.

● Best Seller

● Standard

● On request: minimum quantity may apply. Consult our Customer Service for availability.

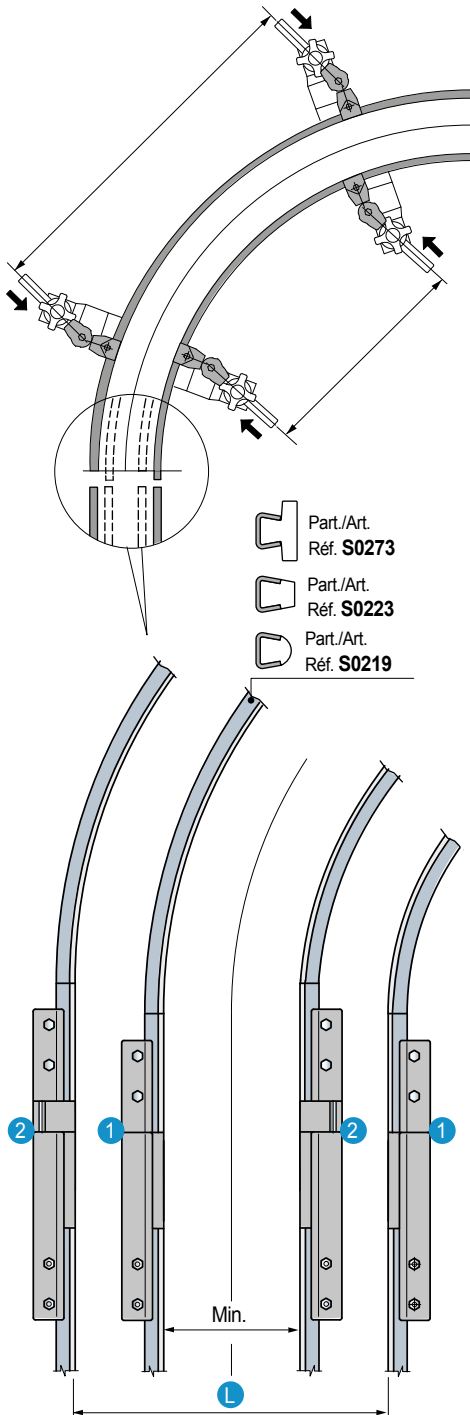
Item code for order = Part. + Code

# Guide - Rail Clamps

for Part. S0223 - S0219 - S0273

• **Assembly of Part. S0736 - S0737 - S0738**

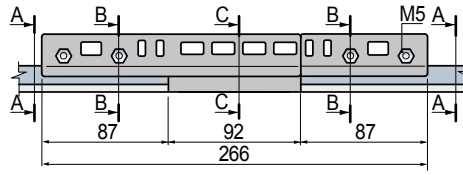
The clamps allows the junction of straight tracks with corner tracks.  
Ideal to adjust the length of side guides near the curves when width adjustment is needed.



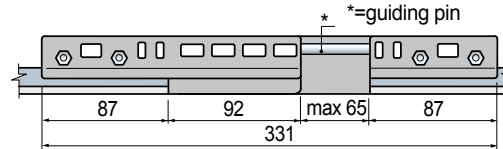
- 1 - Closed clamp.
- 2 - Open clamp.
- L - Size changing width.

■ **Sliding joint clamp**

Clamp fully closed



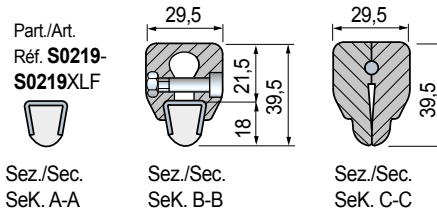
Clamp fully open



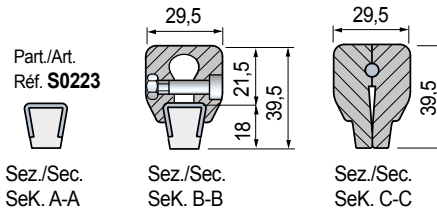
**Part. S0736**  
**Part. S0737**  
**Part. S0738**



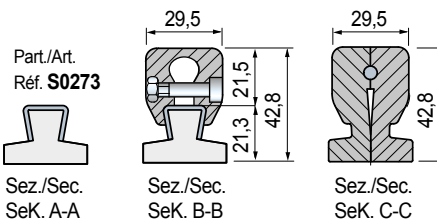
■ **Part. S0736 - Sliding joint clamp for Part. S0219**



■ **Part. S0738 - Sliding joint clamp for Part. S0223**



■ **Part. S0737 - Sliding joint clamp for Part. S0273**



Type of guides to joint	Code	Weight kg
Part. S0219 - S0219XLF	<b>S0736695402</b>	
Part. S0223	<b>S0738695422</b>	0,24
Part. S0273	<b>S0737695412</b>	

- Material: clamp in acetal (white).  
Guiding pin in austenitic stainless steel.  
Tightening bolt in austenitic stainless steel.
- Max recommended tightening torque: 0,4 Kgm.
- Packaging: 1 piece.

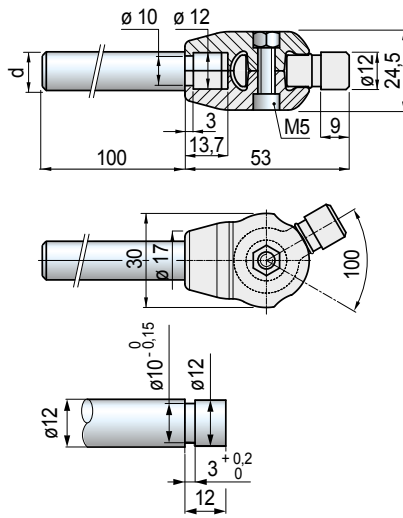
- Best Seller
- Standard
- On request: minimum quantity may apply.  
Consult our Customer Service for availability.

Item code for order = Part. + Code

**Part. S0739**  
**Part. S0739P**



■ Swivel pin connection



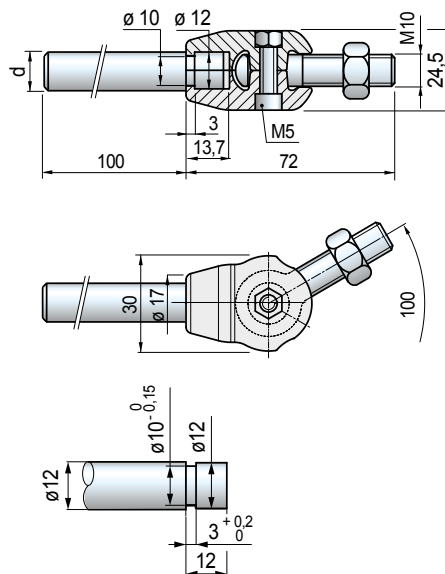
Version	Pin dia. d mm	Code	Weight kg
Without pin	-	S0739695522	0,01
With pin	12	S0739P6025830	0,12

- Material: clamp and eyebolt in reinforced Polyamide PA FV (black).
- Bolt in austenitic stainless steel.
- Nut in nickel plated brass.
- Packaging: 20 pieces.

**Part. S0740**  
**Part. S0740P**



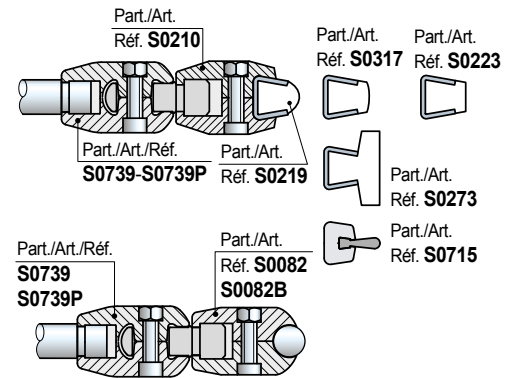
■ Swivel pin connection



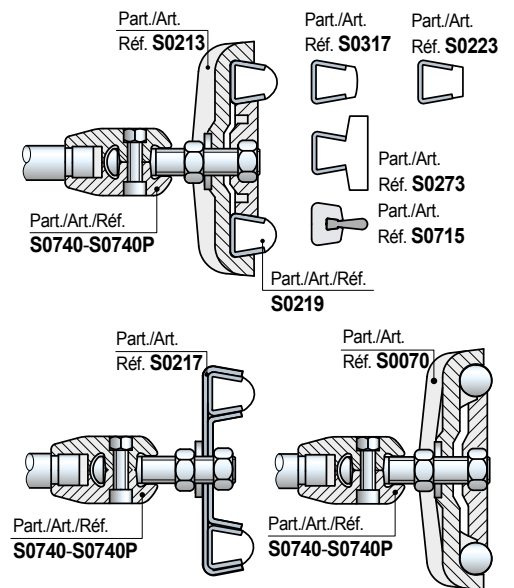
Version	Pin dia. d mm	Code	Weight kg
Without pin	-	S0740695532	0,01
With pin	12	S0740P6025930	0,12

- Material: clamp in reinforced Polyamide PA FV (black).
- Eyebolt and nut in austenitic stainless steel.
- Bolt in austenitic stainless steel.
- Nut in nickel plated brass.
- Packaging: 20 pieces.

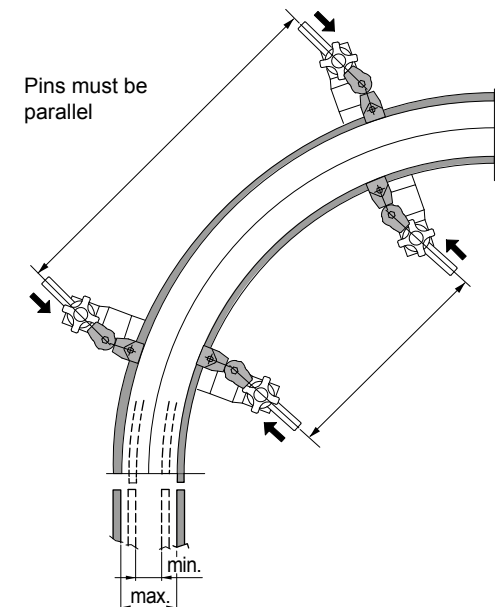
• Assembly of Part. S0739 - S0739P



• Assembly of Part. S0740 - S0740P



- Use of Part. S0739 - S0739P - S0740 - S0740P  
Use for conveyors with (format change).  
They allow an easy regulation of product-guides on corner tracks.  
To adjust the guide-rail with format change, untighten the knobs of brackets and slide along the "parallel pins" until the required width.

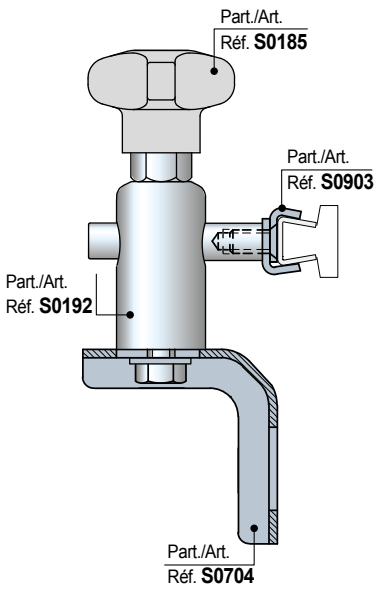
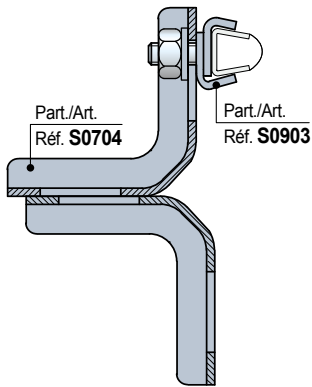


- Best Seller
- Standard
- On request: minimum quantity may apply. Consult our Customer Service for availability.

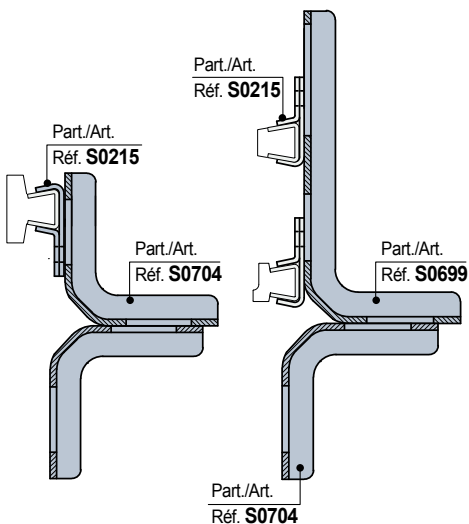
Item code for order = Part. + Code

for Part. S0223 - S0317 - S0219 - S0273 - S0393 - S0596 - S0308 - S0715 - S0765 - S0767 - S0768 - S0769 - S0770

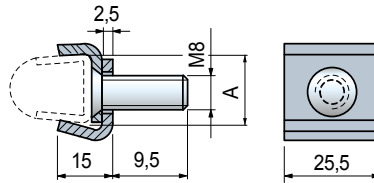
• Assembly of Part. S0903 - S0216



• Assembly of Part. S0215



■ ViseClamp™



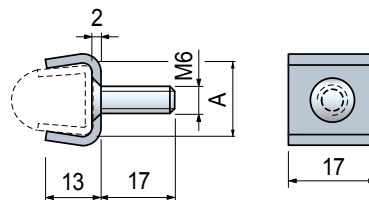
Use	A mm	Code
For guides with S = 2	17	656001N

- Material: austenitic stainless steel.
- Packaging: 50 pieces.

## Part. S0903



■ Guide rail clamp



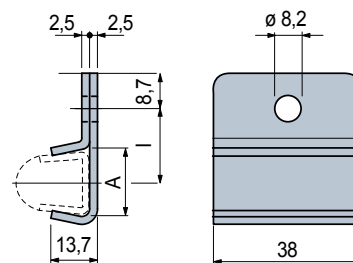
Use	A mm	Code	Weight kg
For guides with S = 1,5	16	60131	0,01
For guides with S = 2	17	64244	

- Material: austenitic stainless steel.
- Packaging: 50 pieces.

## Part. S0216



■ Guide rail clamp



Use	A mm	l mm	Code	Weight kg
For guides with S = 1,5	16	20,5	60121N	0,04
For guides with S = 2	17	20	65976N	

- Material: austenitic stainless steel.
- Packaging: 50 pieces.

## Part. S0215



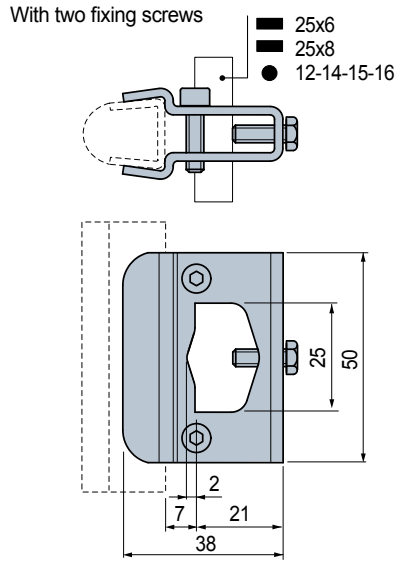
- Best Seller
- Standard
- On request: minimum quantity may apply. Consult our Customer Service for availability.

Item code for order = Part. + Code

for Part. S0223 - S0317 - S0219 - S0273 - S0393 - S0596 - S0308 - S0715 - S0765 - S0767 - S0768 - S0769 - S0770

**Part. S0694**

■ Guide-rail clamp

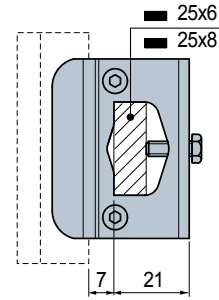


Code	Weight kg
689222	0,10

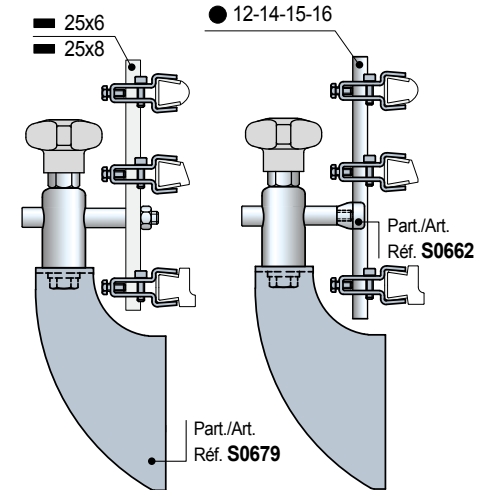
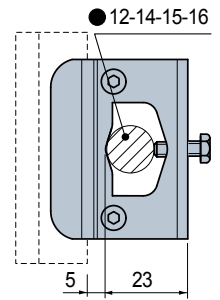
- Material: clamp and bolt in austenitic stainless steel.  
- Packaging: 16 pieces.

• Assembly of Part. S0694

Fixing on plates

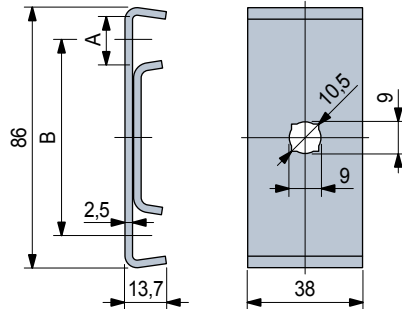


Fixing on rods



**Part. S0217**

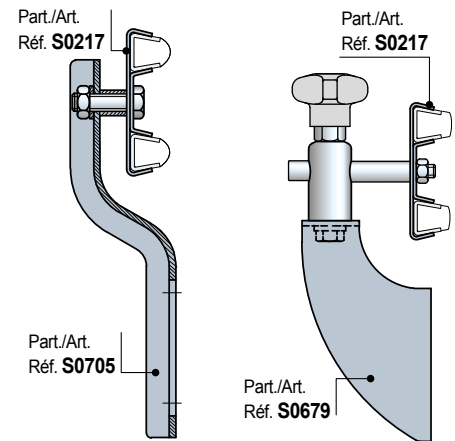
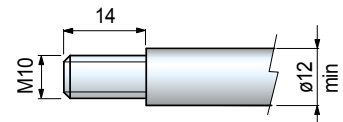
■ Guide-rail clamp (double)



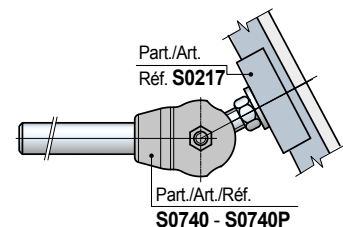
Use	A mm	B mm	Code	Weight kg
For guides with S = 1,5	16	64,5	60141	0,14
For guides with S = 2	17	63,5	695131	

- Material: austenitic stainless steel.  
- Packaging: 50 pieces.  
- Accessories: swivel pin connection Part. S0740 - S0740P.

• Pin dimensions for Part. S0217



• Swivel pin connection of Part. S0740 - S0740P  
Use for conveyors with (format change).  
They allow an easy regulation of product-guides on corner tracks.

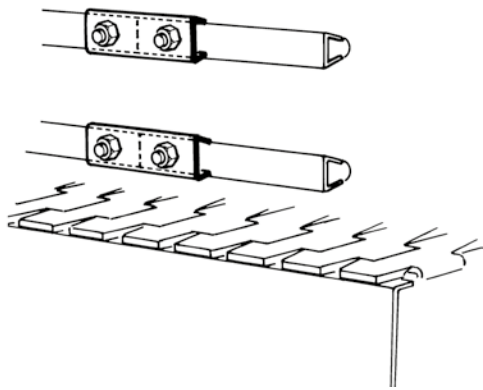


- Best Seller
- Standard
- On request: minimum quantity may apply. Consult our Customer Service for availability.

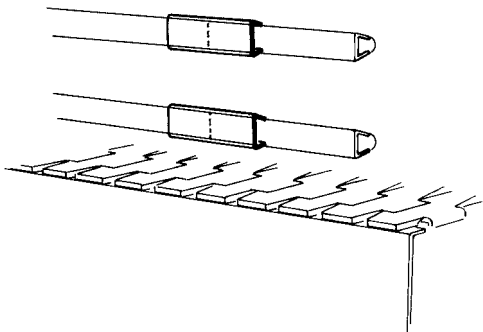
Item code for order = Part. + Code

for Part. S0223 - S0317 - S0219 - S0273 - S0393 - S0596 - S0308 - S0715 - S0765 - S0767 - S0768 - S0769 - S0770

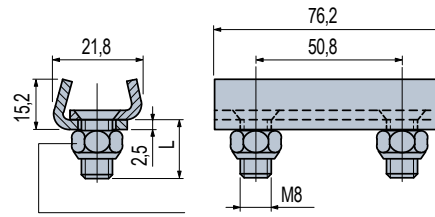
• Assembly of Part. S0902



• Assembly of Part. S0214



■ ViseSplice™



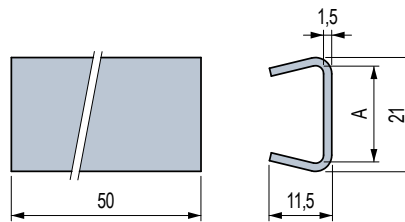
Use	L mm	Code
For guides with S = 2	17,5	<b>656041N</b>

- Material: austenitic stainless steel.
- Packaging: 50 pieces.

## Part. S0902



■ Connecting clamp



Use	A mm	Code	Weight kg
For guides with S = 1,5	16	<b>60111</b>	0,02
For guides with S = 2	17	<b>644293</b>	

- Material: austenitic stainless steel.
- Packaging: 50 pieces.

## Part. S0214



- Best Seller
- Standard
- On request: minimum quantity may apply. Consult our Customer Service for availability.

Item code for order = Part. + Code

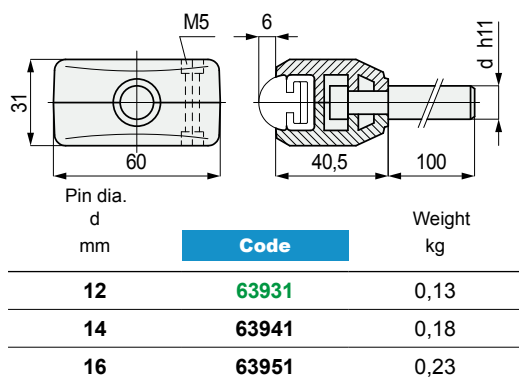
## Guide - Rail Clamps for • Part. S0247



## Part. S0236



### ■ Guide-rail clamp

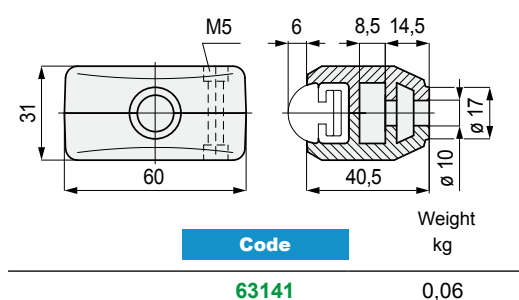


- Material: guide rail clamps in reinforced polyamide PA FV (black).  
Pin in austenitic stainless steel.  
Bolts in austenitic stainless steel. Nuts in nickel plated brass.  
- Packaging: 50 pieces.

## Part. S0236



### ■ Guide-rail clamp

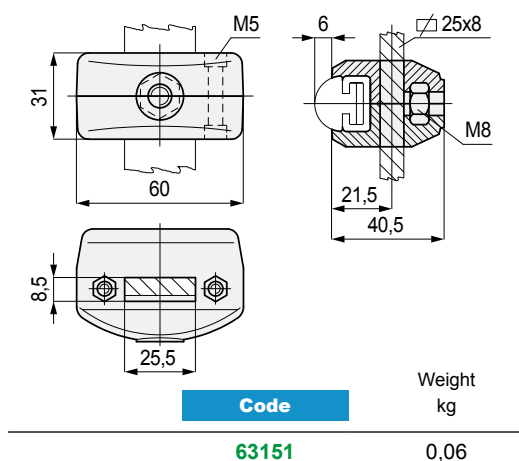


- Material: guide rail clamps in reinforced polyamide PA FV (black).  
Bolts in austenitic stainless steel. Nuts in nickel plated brass.  
- Packaging: 50 pieces.

## Part. S0237

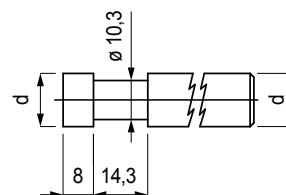


### ■ Adjustable guide-rail clamp

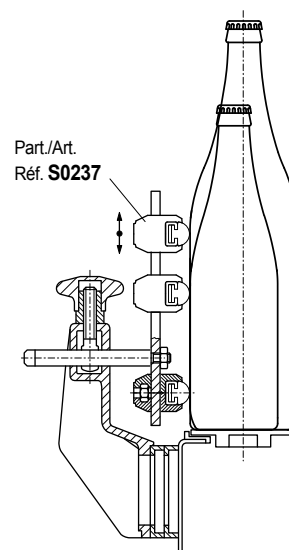


- Material: guide rail clamp in reinforced polyamide PA FV (black).  
Bolts in austenitic stainless steel. Nuts in nickel plated brass.  
- Packaging: 50 pieces.

### • Pin dimensions for Part. S0236



### • Assembly of Part. S0237 Unlimited height adjustment possible



● Best Seller

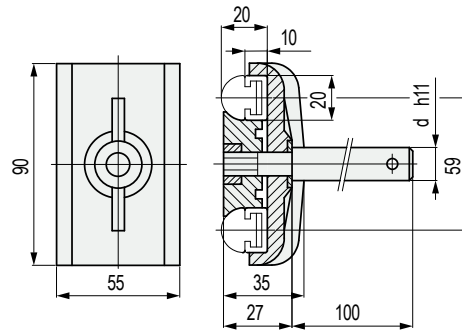
● Standard

● On request: minimum quantity may apply. Consult our Customer Service for availability.

Item code for order = Part. + Code

for Part. S0247

## Double guide-rail clamp



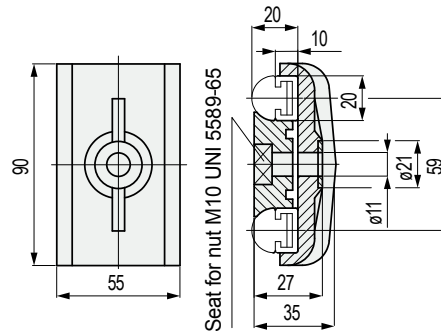
Pin dia. d mm	Code	Weight kg
12	51590	0,20
14	51600	0,23
16	55010	0,26

- Material: guide rail clamp in reinforced polyamide PA FV (black). Pin in austenitic stainless steel. Washer in austenitic stainless steel. Nut in nickel plated brass.
- Packaging: 50 pieces.



## Part. S0111

## Double guide-rail clamp

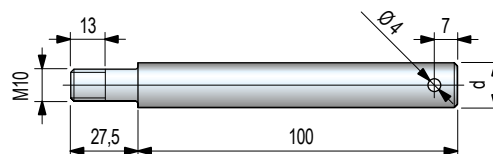


Code	Weight kg
51580	0,08

- Material: guide rail clamp in reinforced polyamide PA FV (black). Washer in austenitic stainless steel.
- State of supply: supplied without tightening nut.
- Packaging: 50 pieces



## Rod for Part. S0116



Pin dia. d mm	Code	Weight kg
12	65784	0,11
14	66774	0,15
16	66784	0,20

- Material: austenitic stainless steel.
- Packaging: 50 pieces.

## Part. S0000

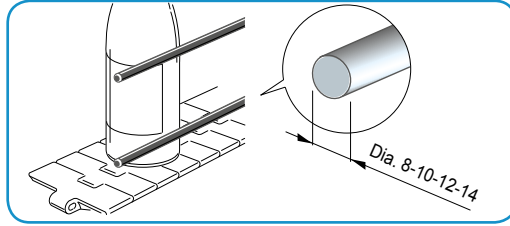


- Best Seller
- Standard
- On request: minimum quantity may apply. Consult our Customer Service for availability.

Item code for order = Part. + Code



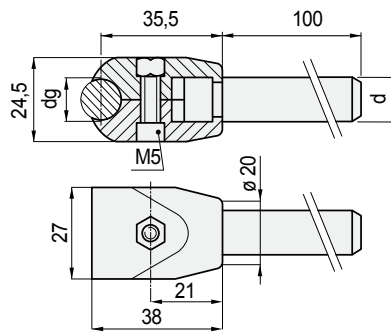
**Guide - Rail Clamps for**  
• Round steel rods



**Part. S0082P**



■ Guide-rail clamp



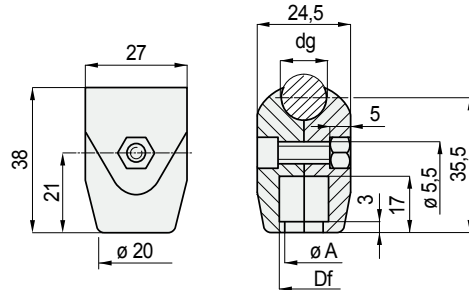
pin dia. d mm	Guide dia. dg mm	Code	Weight kg
	10	6827820	
12	12	6184910	0,12
	14	6185010	
14	10	6827920	0,15
	12	6185110	
	14	6185210	

- Material: guide rail clamps in reinforced polyamide PA FV (black).  
Pin in austenitic stainless steel.  
Bolt in austenitic stainless steel. Nut in nickel plated brass.  
- Packaging: 50 pieces.

**Part. S0082**  
**Part. S0082B**



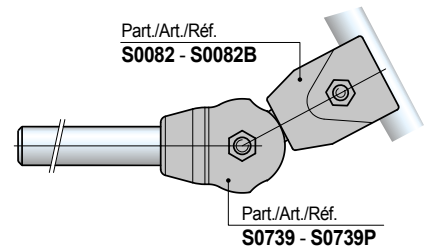
■ Guide-rail clamp



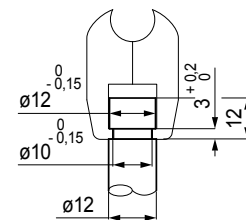
Use	Guide dia. dg mm	Code	Bore dia. Df mm	dia. A mm	Weight kg
<b>Without tightening bolt</b>					
	10	S0082682742			
for pins dia.12	12	S008266861	12	10	
	14	S008266871			0,01
for pins dia.14	10	S0082682752			
	12	S008250930	13,5	11,5	
	14	S008250940			
<b>With tightening bolt</b>					
	10	S0082B6827620			
for pins dia.12	12	S0082B6683800	12	10	
	14	S0082B6684800			0,01
for pins dia.14	10	S0082B6827720			
	12	S0082B6072510	13,5	11,5	
	14	S0082B6072610			

- Material: guide rail clamps in reinforced polyamide PA FV (black).  
Bolt in austenitic stainless steel. Nut in nickel plated brass.  
- Packaging: 100 pieces.  
- Accessories: swivel pin connection Part. S0739 - S0739P.

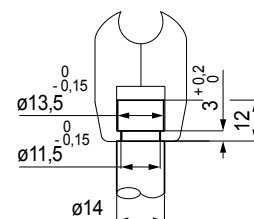
• **Swivel pin connection** Part. S0739 - S0739P  
Use for conveyors with (format change).  
They allow an easy regulation of product-guides on corner tracks.  
See page S112.



• Pin dimensions for Part. S0082 - S0082B  
Pin dia. 12 mm



Pin dia. 12 mm



● Best Seller

● Standard

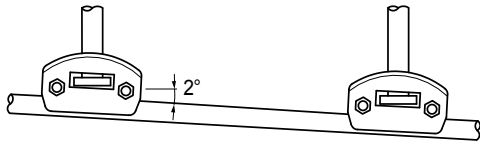
● On request: minimum quantity may apply. Consult our Customer Service for availability.

Item code for order = Part. + Code

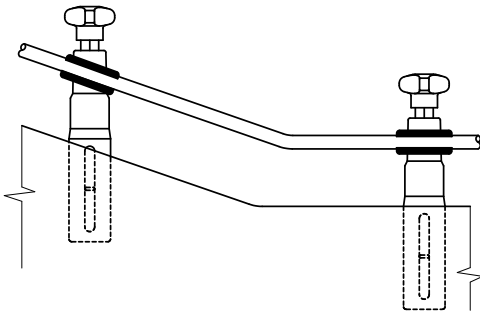
for round steel Rods

• **Assembly of Part. S0478**

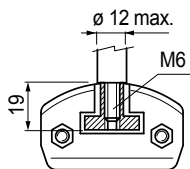
It is possible an inclination of 2° of the guide rail.



Recommended for inclined conveyors (with any angle).

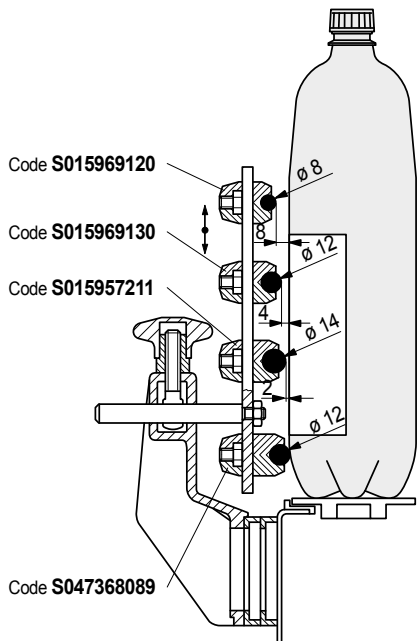


• **Pin dimensions for Part. S0478**

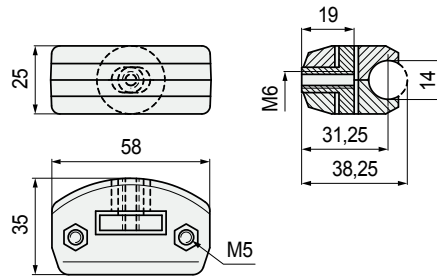


• **Assembly of Part. S0159 - S0437**

PET bottle movement (subject to swelling).



■ **Pivoting guide-rail clamp**



**Part. S0478**

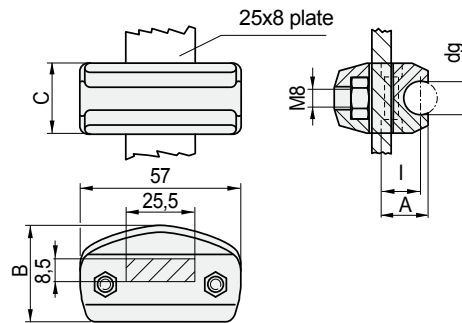


Pivoting

Code	Weight kg
670151	0,06

- Material: guide rail clamp in reinforced polyamide PA FV (black). Insert in brass. Bolts in austenitic stainless steel. Nuts in nickel plated brass.
- Packaging: 50 pieces.

■ **Adjustable guide-rail clamp**



**Part. S0159**

**Part. S0437**

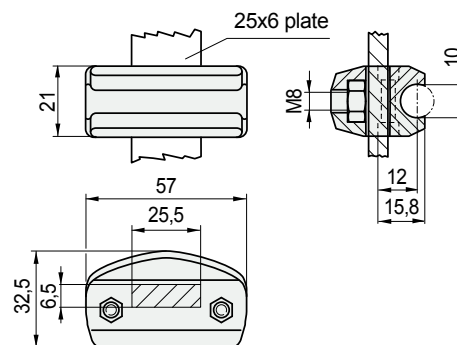


For 25 x 8 plates

Guide dia. dg mm	I mm	A mm	B mm	C mm	Code	Weight kg
8	12	15,5	32,5	21	S015969120	
10	12	15,8	32,5	21	S0159622381	
12	14	17,8	35	25	S015969130	0,05
14	15	19,5	35	25	S015957211	
12	18	22	41	25	S043768089	

- Material: guide rail clamp in reinforced polyamide PA FV (black). Bolts in austenitic stainless steel. Nuts in nickel plated brass.
- Packaging: 50 pieces.

■ **Adjustable guide-rail clamp**



**Part. S0451**



Per piatti 25 x 6

Code	Weight kg
63389	0,05

- Material: guide rail clamps in reinforced polyamide PA FV (black). Bolt in austenitic stainless steel. Nut in nickel plated brass.
- Packaging: 50 pieces.

● Best Seller

● Standard

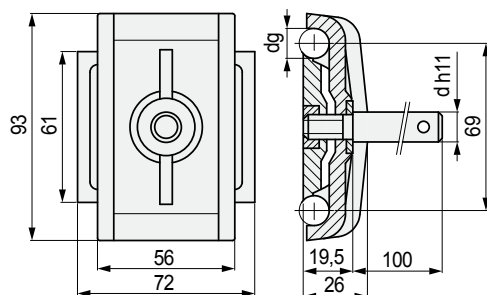
● On request: minimum quantity may apply. Consult our Customer Service for availability.

Item code for order = Part. + Code

for round steel Rods

## Part. S0071

### Double guide-rail clamp

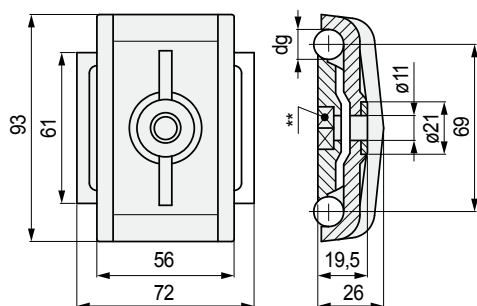


pin dia. d mm	Guide dia. dg mm	Code	Weight kg
12	10	677252	0,20
	12	50960	
14	10	677262	0,22
	12	50970	
16	10	677272	0,26
	12	50980	

- Material: guide rail clamp in reinforced polyamide PA FV (black).
- Pin in austenitic stainless steel.
- Washer in austenitic stainless steel.
- Nut in nickel plated brass.
- Packaging: 50 pieces.

## Part. S0070

### Double guide-rail clamp

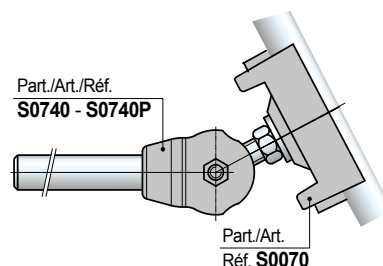


\*\* = Seat for nut M10 UNI 5588

Pin dia. d mm	Code	Weight kg
10	677242	0,09
12	50950	

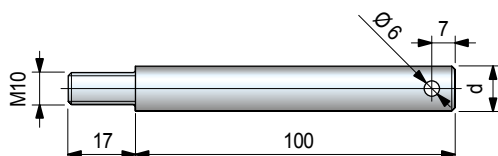
- Material: guide rail clamps in reinforced polyamide PA FV (black).
- Washer in austenitic stainless steel.
- State of supply: supplied without tightening nut.
- Packaging: 50 pieces.
- Accessories: swivel pin connection Part. S0740 - S0740P.

- Swivel pin connection Part. S0740 - S0740P  
Use for conveyors with (format change).  
They allow an easy regulation of product-guides on corner tracks.  
See page S112.



## Part. S0000

### Rod for Part. S0070



Pin dia. d mm	Code	Weight kg
12	65794	0,11
14	66004	0,14
16	66654	0,18

- Material: austenitic stainless steel.
- Packaging: 50 pieces.

- Best Seller
- Standard
- On request: minimum quantity may apply. Consult our Customer Service for availability.

Item code for order = Part. + Code

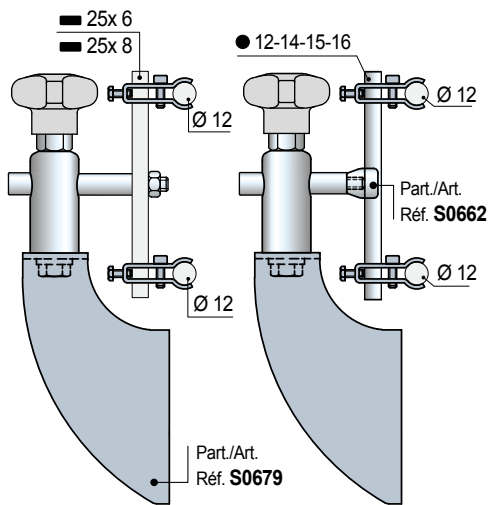
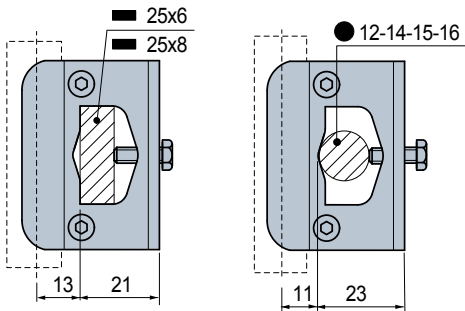
# Guide - Rail Clamps

for round steel Rods

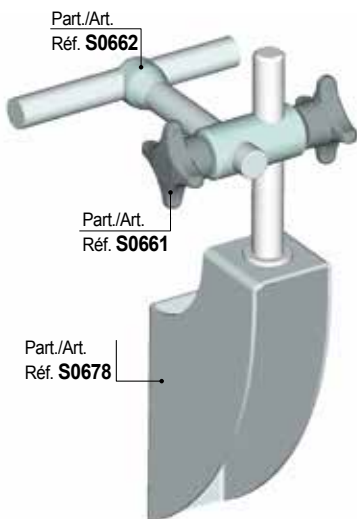
## • Assembly of Part. S0698

Fixing on plates

Fixing on rods

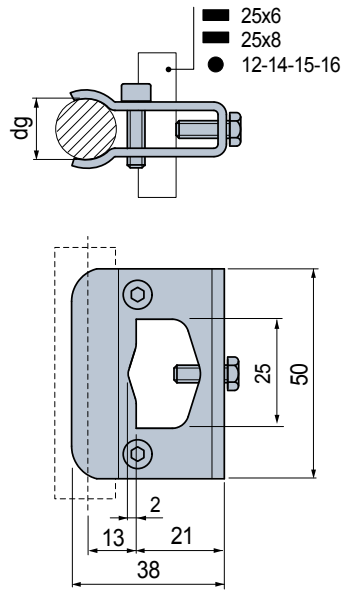


## • Assembly of Part. S0662



## ■ Guide-rail clamp

With two fixing screws



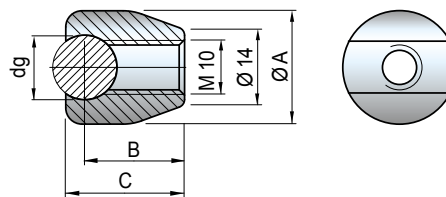
Guide dia. d mm	Code	Weight kg
12	689202	0,10

- Material: clamp and bolt in austenitic stainless steel.
- Packaging: 16 pieces.

## Part. S0698



## ■ Guide-rail clamp



Guide dia. dg mm	Code	dia. A mm	B mm	C mm	Weight kg
10	669542	20	17,5	20	0,03
12	669552	21	18,5	22	
14	669562	23	19,5	24	

- Material: austenitic stainless steel.
- Packaging: 50 pieces.

## Part. S0662



● Best Seller

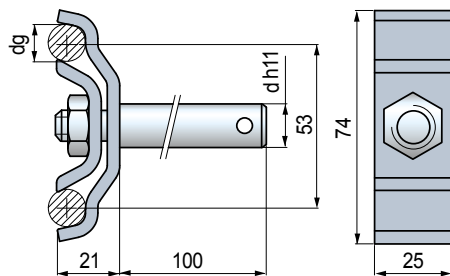
● Standard

● On request: minimum quantity may apply. Consult our Customer Service for availability.

Item code for order = Part. + Code

## Part. S0050

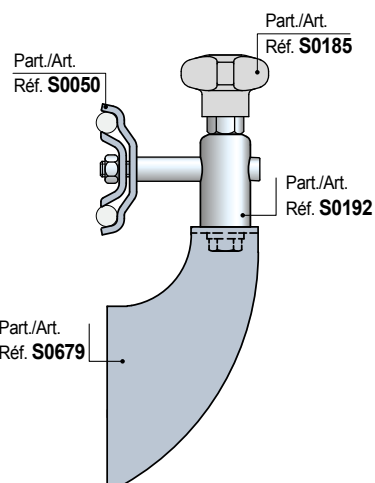
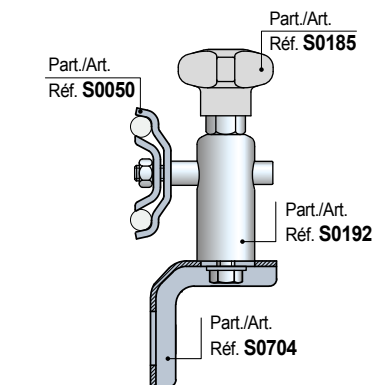
### Double guide-rail clamp



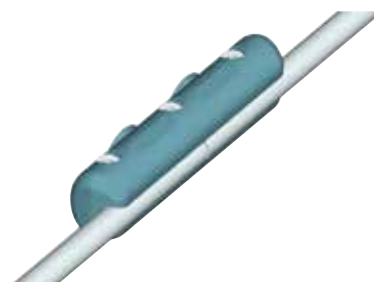
Guide dia. dg mm	pin dia. d mm	Code	Weight kg
12	12	53801	0,34
	14	51000	0,36
	16	647871	0,38

- Material: guide rail clamp and tightening nut in austenitic stainless steel. Pin in austenitic stainless steel.
- Packaging: 50 pieces.

### • Assembly of Part. S0050

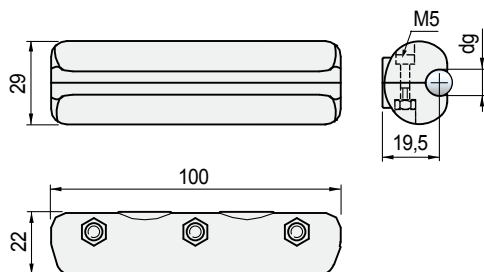


- Use of Part. S0676  
New split joint clamp, to be used for the junction of dia. 10 - 12 round guides.



## Part. S0676

### Joint clamp



Guide dia. dg mm	Code	Weight kg
10	689682	0,10
12	689692	

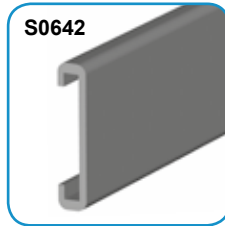
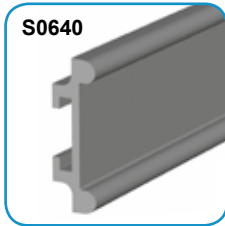
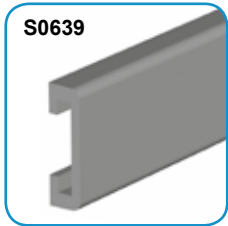
- Material: joint clamp in reinforced Polyamide PA FV (black). Bolts in austenitic stainless steel. Nuts in nickel plated brass.
- Packaging: 10 pieces.

● Best Seller

● Standard

● On request: minimum quantity may apply. Consult our Customer Service for availability.

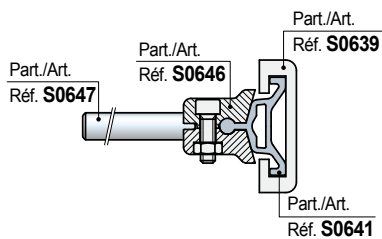
Item code for order = Part. + Code



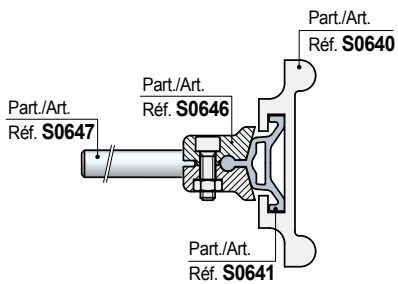
## Guide - Rail Clamps for

- Part. S0639
- Part. S0640
- Part. S0642

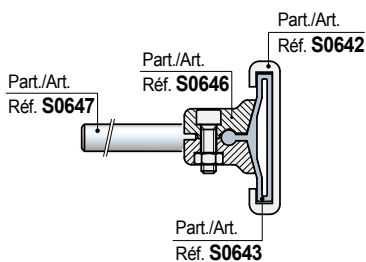
### • Assembly of Part. S0639



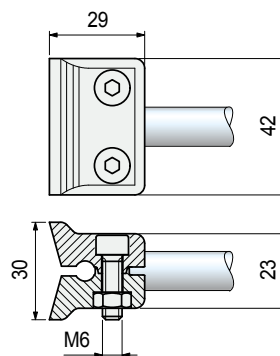
### • Assembly of Part. S0640



### • Assembly of Part. S0642



### ■ Guide-rail clamp

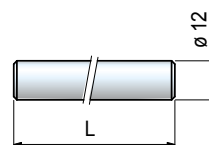


Code

652362

- Material: clamp in poliketone (black).
- Bolts and nuts in stainless steel.
- Packaging: 50 pieces.

### ■ Rod



L mm	Code	Weight kg
100	652372	0,09
150	652382	0,13
200	652392	0,18
250	652402	0,22

- Material: ferritic stainless steel.
- Packaging: 50 pieces.

## Part. S0646



## Part. S0647



● Best Seller

● Standard

● On request: minimum quantity may apply. Consult our Customer Service for availability.

Item code for order = Part. + Code

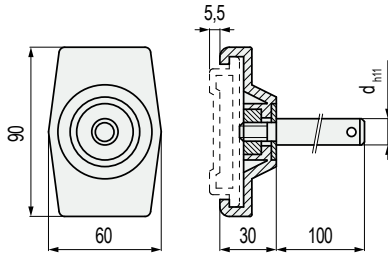
Guide - Rail Clamps for  
• Part. S0191



Part. **S0190**



■ Guide-rail clamp

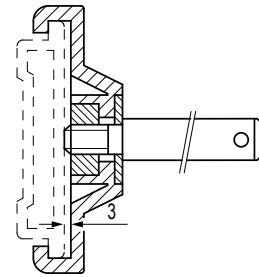


Pin dia. d mm	Code	Weight kg
12	55741	0,18
14	55751	0,22
16	55761	0,25

- Material: guide rail clamp in reinforced polyamide PA FV (black). Pin in austenitic stainless steel. Washer in austenitic stainless steel. Nut in nickel plated brass.
- Packaging: 50 pieces.
- Suitable to use in curves also.

• Assembly of Part. S0190

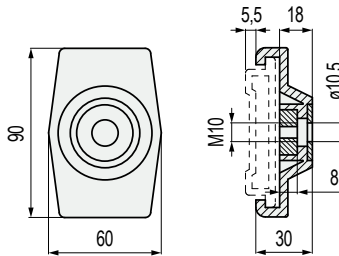
The protrusion of the pin allows the guide to be locked axially.



Part. **S0184**



■ Guide-rail clamp



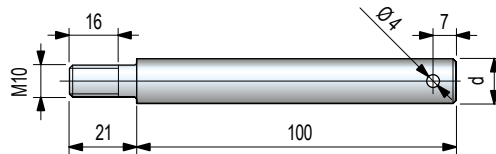
Code	Weight kg
54961	0,09

- Material: guide rail clamp in reinforced polyamide PA FV (black). Washer in austenitic stainless steel. Nut in nickel plated brass.
- Packaging: 50 pieces.
- Suitable to use in curves also.

Part. **S0000**



■ Rod for Part. S0184



Pin dia. d mm	Code	Weight kg
12	66794	0,11
14	66804	0,14
16	66814	0,19

- Material: austenitic stainless steel.
- Packaging: 50 pieces.

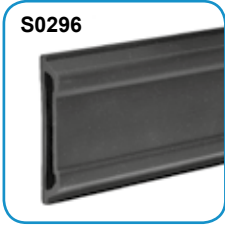
● Best Seller

● Standard

● On request: minimum quantity may apply. Consult our Customer Service for availability.

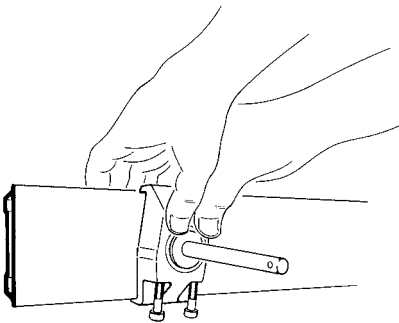
Item code for order = Part. + Code

S0296

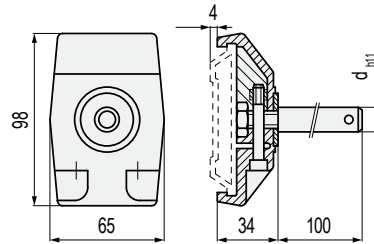


### • Assembly of Part. S0298

- 1) Untighten the screws
- 2) Clip on to the profile
- 3) Slide along the guide to the desired position and tighten screws to lock in place.



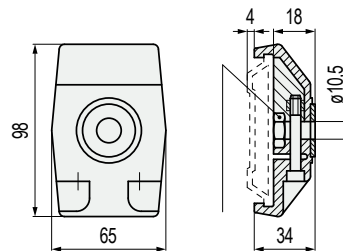
### ■ Guide-rail clamp



Pin dia. d mm	Code	Weight kg
12	60372	0,12
14	60382	0,25
16	60392	0,29

- Material: guide rail clamp in reinforced polyamide PA FV (black). Pin in austenitic stainless steel. Washer in austenitic stainless steel. Nut in nickel plated brass.
- Packaging: 50 pieces.
- Suitable to use in curves also.

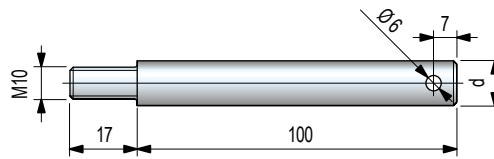
### ■ Guide-rail clamp



Code	Weight kg
60362	0,12

- Material: guide rail clamp in reinforced polyamide PA FV (black). Washer in austenitic stainless steel. Nut in nickel plated brass.
- Packaging: 50 pieces.
- Suitable to use in curves also.

### ■ Rod for Part. S0298



Pin dia. d mm	Code	Weight kg
12	65794	0,11
14	66004	0,14
16	66654	0,18

- Material: austenitic stainless steel.
- Packaging: 50 pieces.

## Guide - Rail Clamps for • Part. S0296

### Part. S0298



### Part. S0298



### Part. S0000



● Best Seller

● Standard

● On request: minimum quantity may apply. Consult our Customer Service for availability.

Item code for order = Part. + Code



## Guide - Rail Clamps for

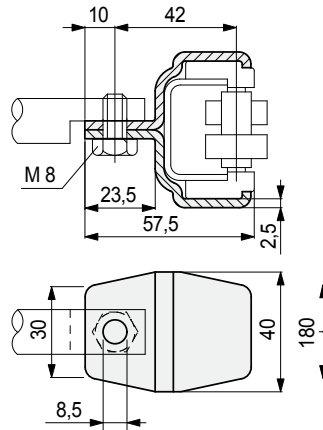
- Part. S0128S
- Part. S0128



## Part. S0373



### ■ Guide-rail clamp



Material	Code	Weight kg
Austenitic stainless steel	<b>63506</b>	0,11
Zinc plated steel	<b>64156</b>	

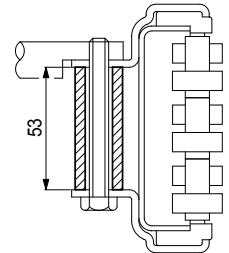
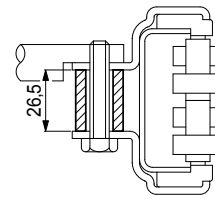
- Packaging: 50 pieces.
- Suitable to use in curves also.

### • Assembly of Part. S0373

For the use of double and triple execution rails it is necessary a spacer.

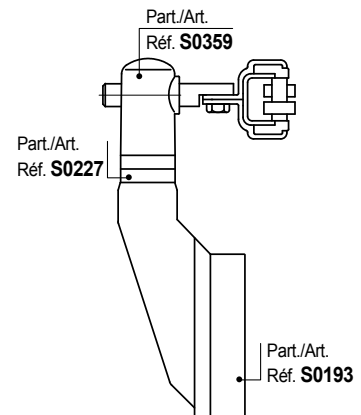
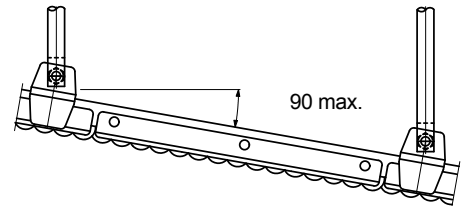
Spacer for double execution guide rail

Spacer for triple execution guide rail



Spacer not included

The clamp allow the guide to be mounted at an angle



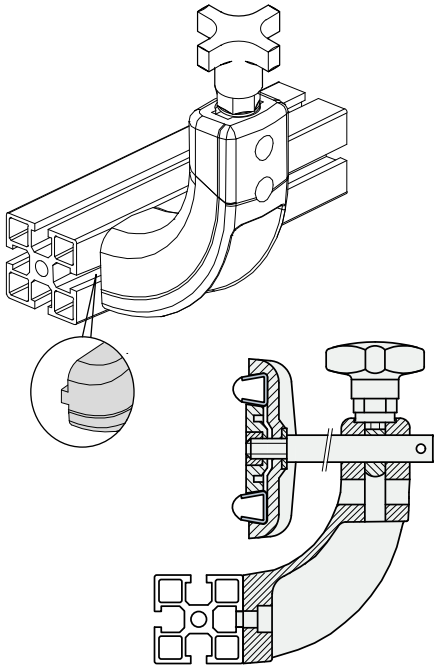
- Best Seller
- Standard
- On request: minimum quantity may apply. Consult our Customer Service for availability.

Item code for order = Part. + Code

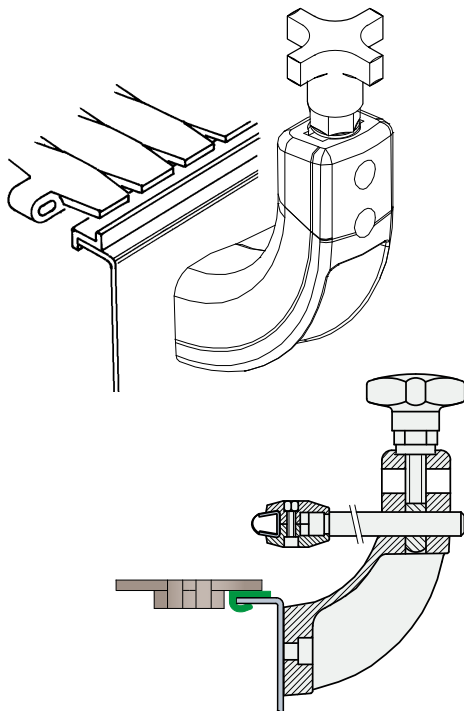
• **Characteristics** of Part. S0708

- Bracket with a reduced structure-connecting size.
- Available with positioning guide for an easy assembly on aluminium sections.
- The two holes allows to position the guide-rail bracket in two different heights depending on specific requirements.

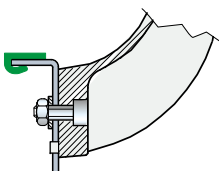
• **Assembly version with positioning guide**



• **Assembly version without positioning guide**

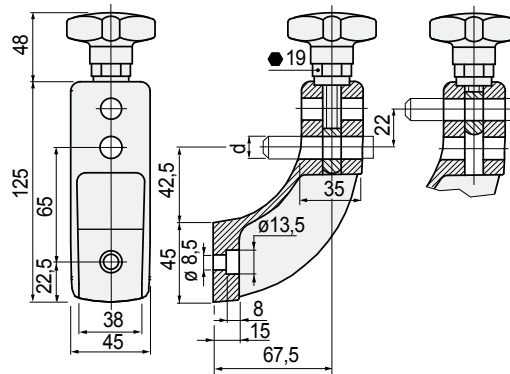


• **Assembly version with centering pin**

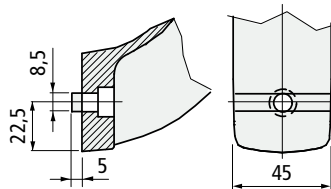


■ **Bracket with two holes**

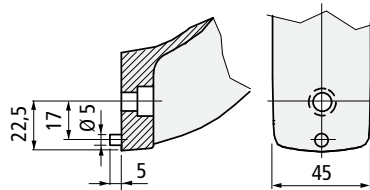
**Version without positioning guide**



**Version with positioning guide**



**Version with centering pin**



## Part. S0708



Pin dia. d mm	Code	Weight kg
<b>Version without positioning guide</b>		
12	692502	
14	693092	0,23
16	692512	
<b>Version with positioning guide</b>		
12	692482	
14	693082	0,23
16	692492	
<b>Version with centering pin</b>		
12	605603	
14	605613	0,23
16	605623	

- Material: bracket and knob in reinforced polyamide PA FV (black).
- Hexagonal insert (for 19 mm wrench) in nickel plated brass.
- Eyebolt in austenitic stainless steel.
- Max recommended tightening torque: 4 Kgm.
- Packaging: 50 pieces.

● Best Seller

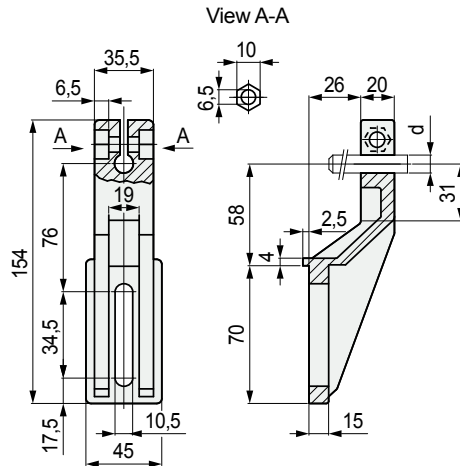
● Standard

● On request: minimum quantity may apply. Consult our Customer Service for availability.

Item code for order = Part. + Code

Part. **S0081**

Bracket

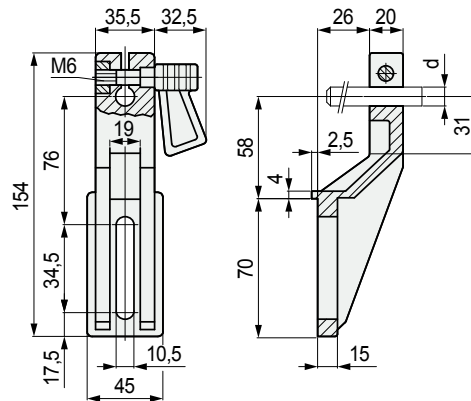


Material	Pin dia. d mm	Code	Weight kg
Polyamide PA (black)	12	50770	0,11
	14	50780	

- Standard packaging: supplied without tightening bolt.
- Tightening bolt required: bolt M6 x 25 UNI 5931, DIN 912. Nut M6 UNI 5587-68.
- Max recommended tightening torque: 0,6 Kgm.
- Packaging: 50 pieces.

Part. **S0088**

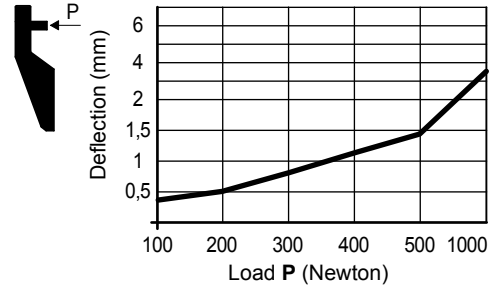
Bracket with ratchet handle clamping



Material	Pin dia. d mm	Code	Weight kg
Polyamide PA (black)	12	50730	0,15
	14	50740	

- Ratchet lever material: grip in acetal POM (black), threaded shank in austenitic stainless steel, fixing nut in nickel plated brass.
- Max recommended tightening torque: 0,6 Kgm.
- Packaging: 50 pieces.

Deflection of Part. S0081 - S0088



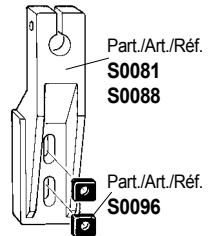
Technical data Part. S0081 - S0088

- Sliding load resistance: 1020 N (with d = 12)  
2000 N (with d = 14)
- Breaking load: 2500 N

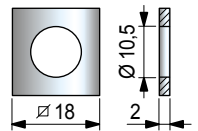
Tests performed at tightening torque: 0,6 Kgm

Accessories

Square washer Part. S0096. Applicable to Part. S0081 - S0088 distributes force from tightening over larger area.

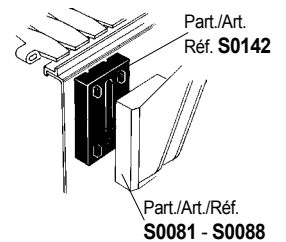


Square washer Part. S009651550. Material: austenitic stainless steel. Packaging: 200 pieces.



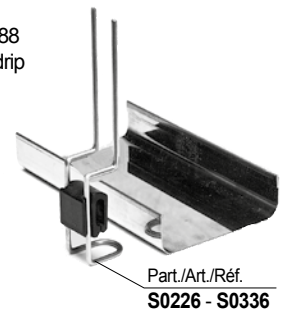
Accessories

Spacer Part. S0142, Applicable to Part. S0081 - S0088.



Assembly of drip tray support

Part. S0226 - S0336. Part. S0081 and S0088 permit application of drip tray support.



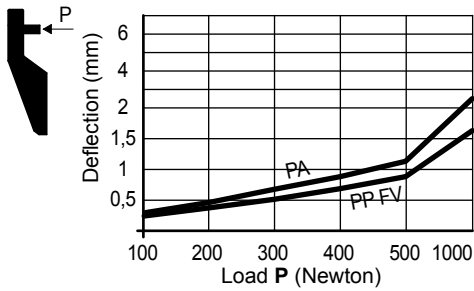
Best Seller

Standard

On request: minimum quantity may apply. Consult our Customer Service for availability.

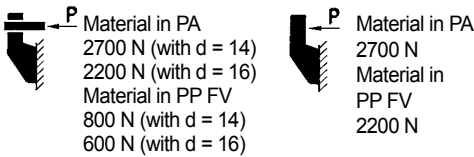
Item code for order = Part. + Code

## Deflection of Part. S0072 - S0089



## Technical data Part. S0072

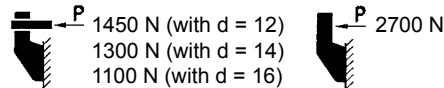
- Sliding load resistance: - Breaking load:



Tests performed at tightening torque: 1 Kgm

## Technical data Part. S0089

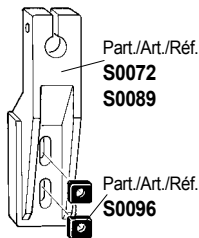
- Sliding load resistance: - Breaking load:



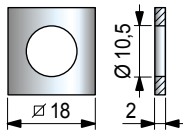
Tests performed at tightening torque: 0,6 Kgm

## Accessories

Square washer Part. S0096. Applicable to Part. S0072 - S0089 distributes force from tightening over larger area.

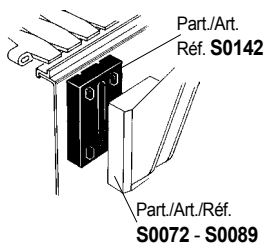


Square washer Part. S009651550. Material: austenitic stainless steel. Packaging: 200 pieces.



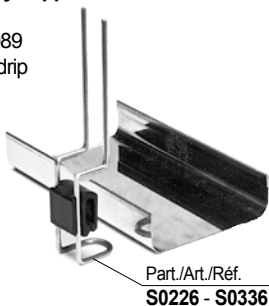
## Accessories

Spacer Part. S0142, Applicable to Part. S0072 - S0089.

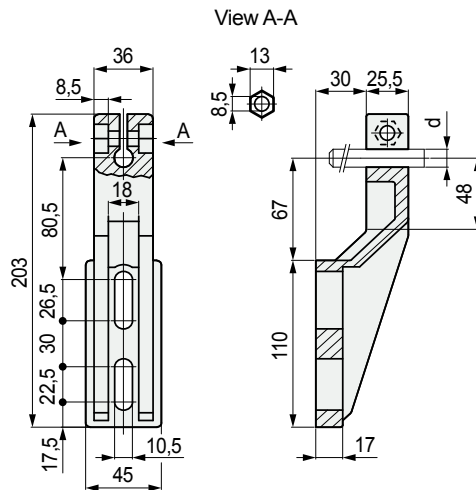


## Assembly of drip tray support

Part. S0226 - S0336. Part. S0072 and S0089 permit application of drip tray support.



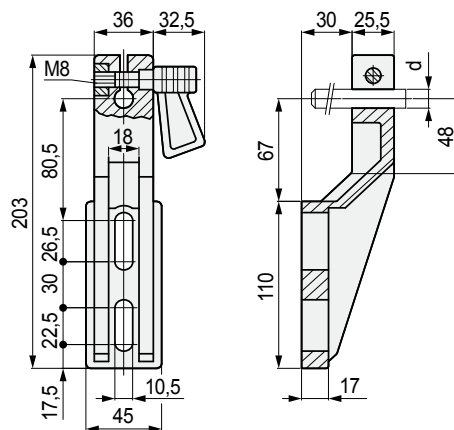
## Bracket



Material	Pin dia. d mm	Code	Weight kg
Polyamide PA (black)	14	50790	0,17
	16	50800	
Reinforced polypropylene PP FV (nero)	14	57120	0,17
	16	57130	

- Standard packaging: supplied without tightening bolt.
- Tightening bolt required: bolt M8 x 25 UNI 5931, DIN 912. Nut M8 UNI 5587-68.
- Max recommended tightening torque: 1 Kgm.
- Packaging: 50 pieces.

## Bracket with ratchet handle clamping



Material	Pin dia. d mm	Code	Weight kg
Polyamide PA (black)	12	69705	0,22
	14	50750	
	16	50760	

- Standard packaging: supplied without tightening bolt.
- Tightening bolt required: bolt M6 x 25 UNI 5931, DIN 912. Nut M6 UNI 5587-68.
- Max recommended tightening torque: 0,6 Kgm.
- Packaging: 50 pieces.

## Part. S0072



## Part. S0089



● Best Seller

● Standard

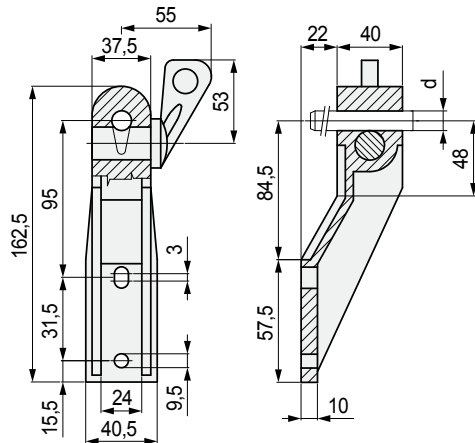
● On request: minimum quantity may apply. Consult our Customer Service for availability.

Item code for order = Part. + Code

Part. **S0085**



■ Bracket with eccentric lever



Material	Pin dia. d mm	Code	Weight kg
Reinforced polypropylene PP FV (nero)	12	<b>50810</b>	0,13
	14	<b>50820</b>	

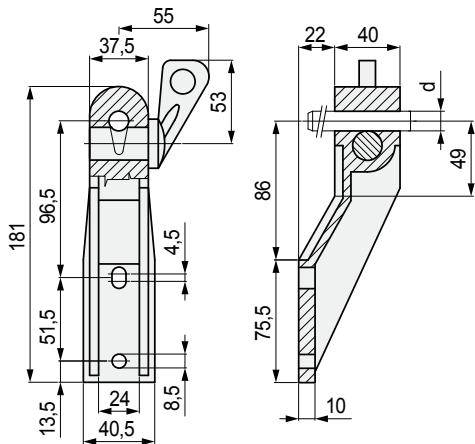
- Packaging: 50 pieces.

Part. **S0010**

Part. **S0097**



■ Bracket with eccentric lever



Material	Pin dia. d mm	Code	Weight kg
Reinforced polyamide PA FV (black)	14	<b>S001050840</b>	0,14
Reinforced polypropylene PP FV (nero)	12	<b>S009750850</b>	0,14
	14	<b>S009750860</b>	

- Packaging: 50 pieces.

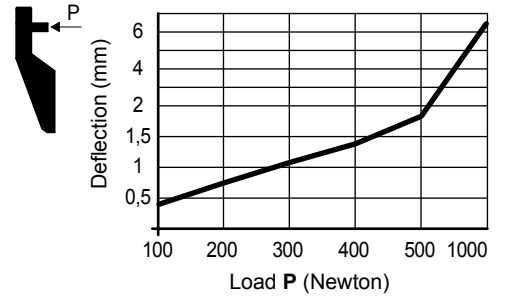
● Best Seller

● Standard

● On request: minimum quantity may apply. Consult our Customer Service for availability.

Item code for order = Part. + Code

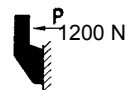
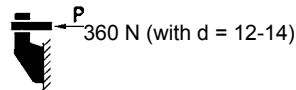
• Deflection of Part. S0085



• Technical data Part. S0085

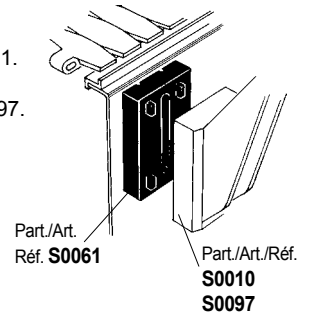
- Sliding load resistance:

- Breaking load:



• Accessories

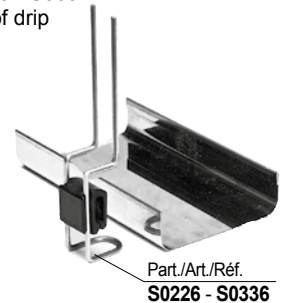
Spacer Part. S0061. Applicable to Part. S0010 - S0097.



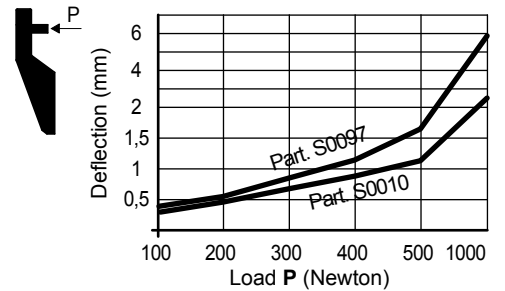
• Assembly of drip tray support

Part. S0226 - S0336.

Part. S0085 - S0010 - S0097 permit application of drip tray support.



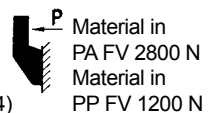
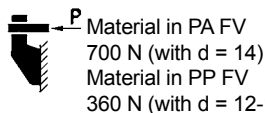
• Deflection of Part. S0010 - S0097



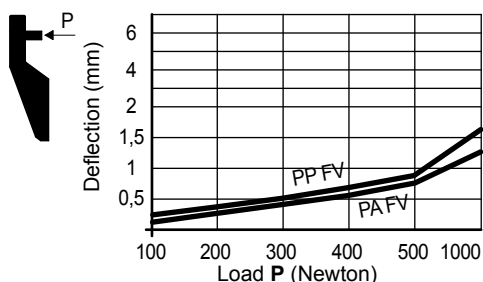
• Technical data Part. S0010 - S0097

- Sliding load resistance:

- Breaking load:



## Deflection of Part. S0107



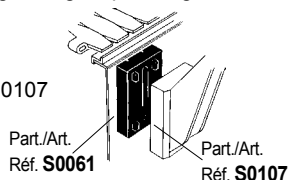
## Technical data Part. S0107

- Sliding load resistance:	- Breaking load:
Material in PA FV 2000 N (with d = 12) 3200 N (with d = 14)	Material in PA FV 4500 N
Material in PP FV 1300 N (with d = 12) 1700 N (with d = 14)	Material in PP FV 3300 N

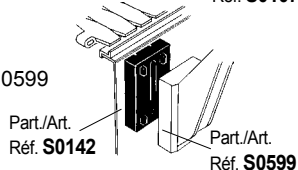
Tests performed at tightening torque: 4 Kgm

## Accessories

Spacer Part. S0061.  
Applicable to Part. S0107



Spacer Part. S0142.  
Applicable to Part. S0599



## Assembly of drip tray support

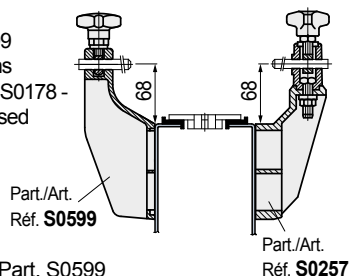
Part. S0226 - S0336.  
Part. S0107 e S0599  
permit application of drip  
tray support.



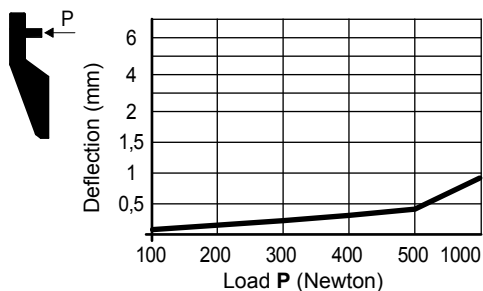
Part./Art./Réf.  
**S0226 - S0336**

## Use Part. S0599

Same dimensions  
as Part. S0163 - S0178 -  
S0257, can be used  
alternatively.



## Deflection of Part. S0599

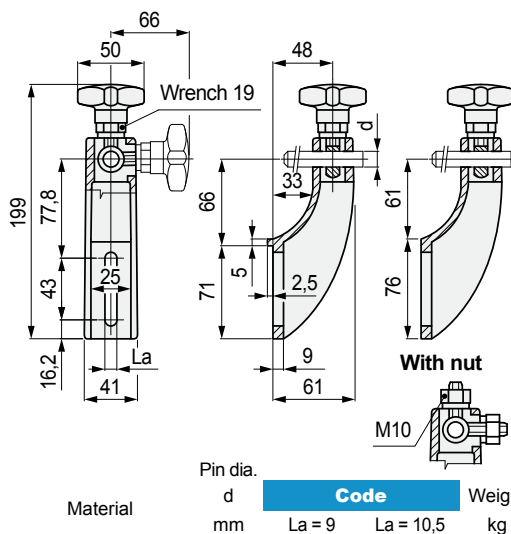


## Technical data Part. S0599

- Sliding load resistance:	- Breaking load:
Material in PA FV 2000 N (with d = 12)	Material in PA FV 3000 N

Tests performed at tightening torque: 4 Kgm

## Bracket with eyebolt



### With lip

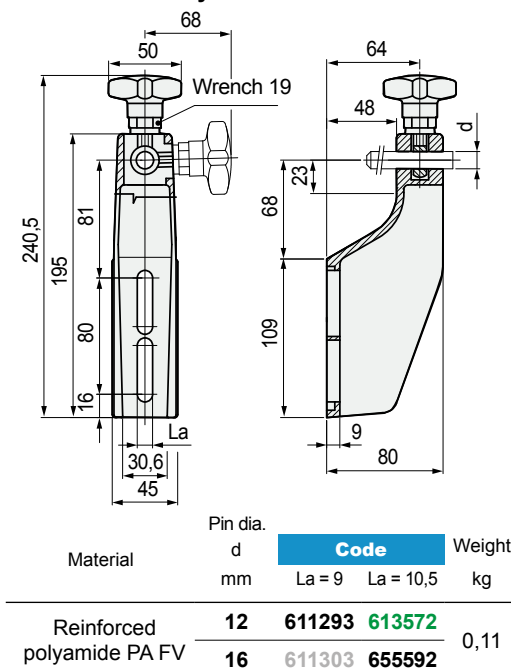
Reinforced polyamide PA FV	12	50710N 68200N	0,15
	14	67811N 67821N	
	16	655512N 655522N	

### Without lip

Reinforced polyamide PA FV	12	650453N 650513N	0,15
	14	650463N 650522N	
	16	650473N 650533N	

- On request version with nut M10, without knob.
- Material: knob in reinforced polyamide (black), exagonal insert (for 19 mm wrench) in nickel plated brass, eyebolt in austenitic stainless steel.
- Colour: black.
- Max recommended tightening torque: 4 Kgm.
- Packaging: 50 pieces.

## Bracket with eyebolt



- Material: knob in reinforced polyamide (black), exagonal insert (for 19 mm wrench) in nickel plated brass, eyebolt in austenitic stainless steel.
- Colour: black.
- Max recommended tightening torque: 4 Kgm.
- Packaging: 50 pieces.

## Part. S0107



## Part. S0599



● Best Seller

● Standard

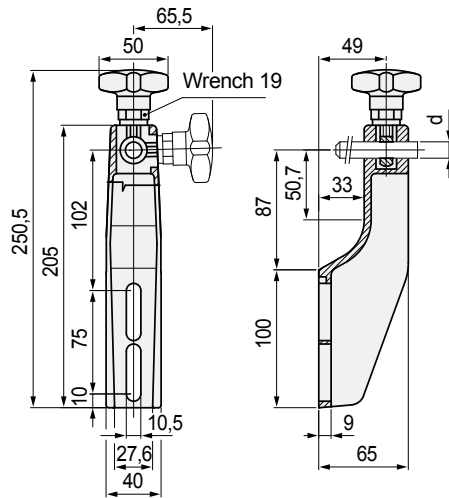
● On request: minimum quantity may apply. Consult our Customer Service for availability.

Item code for order = Part. + Code

Part. **S0617**



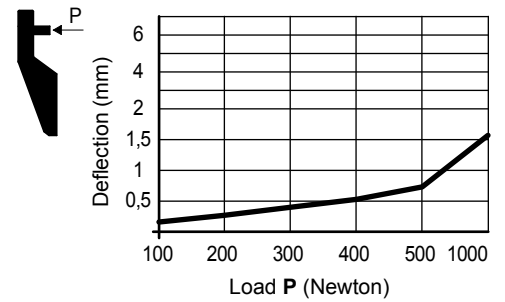
■ Bracket with eyebolt



Material	Pin dia. d mm	Code	Weight kg
Reinforced polyamide PA FV (black))	12	613562	0,18
	16	655602	

- Material: knob in reinforced polyamide (black), exagonal insert (for 19 mm wrench) in nickel plated brass, eyebolt in austenitic stainless steel.
- Max recommended tightening torque: 4 Kgm.
- Packaging: 50 pieces.

• Deflection of Part. S0617



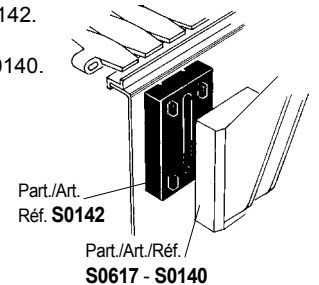
• Technical data Part. S0085

- Sliding load resistance: 2000 N (with d = 12)
- Breaking load: 3000 N

Tests performed at tightening torque: 4 Kgm

• Accessories

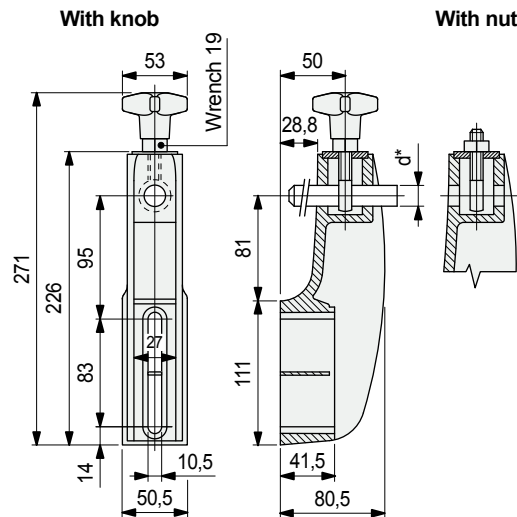
- Spacer Part. S0142. Applicable to Part. S0617 - S0140.



Part. **S0140**



■ Bracket with eyebolt

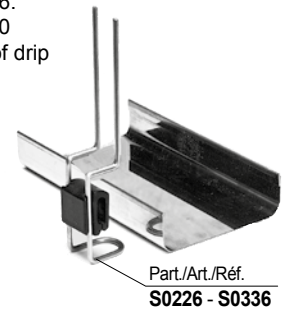


Pin dia. d* mm	Version	Code	Weight kg
14÷16	with knob	66690N	0,47
	with nut	57421N	0,47

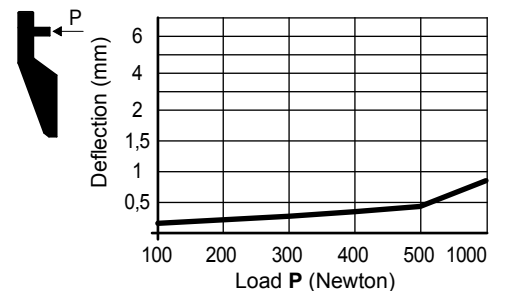
- \* = The bracket can be used with dia. 14 and dia. 16 mm pins.
- Material: bracket and knob in reinforced polyamide (black), exagonal insert (for 19 mm wrench) in nickel plated brass, tightening nut and eyebolt in austenitic stainless steel.
- Max recommended tightening torque: 4 Kgm.
- Packaging: 25 pieces.

• Assembly of drip tray support

- Part. S0226 - S0336. Part. S0617 - S0140 permit application of drip tray support.



• Deflection of Part. S0140



• Technical data Part. S0140

- Sliding load resistance: 3000 N (with d = 14-16)
- Breaking load: 12000 N

Tests performed at tightening torque: 4 Kgm

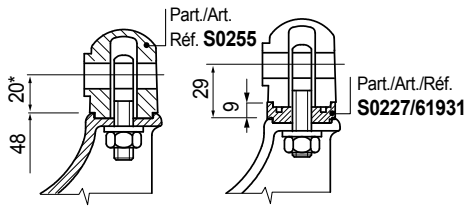
● Best Seller

● Standard

● On request: minimum quantity may apply. Consult our Customer Service for availability.

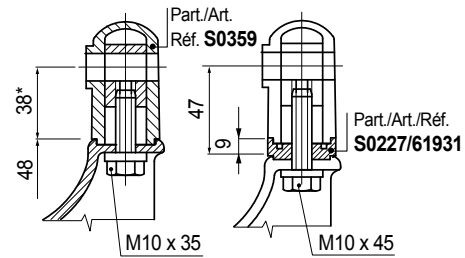
Item code for order = Part. + Code

### • Assembly with swivel head Part. S0255



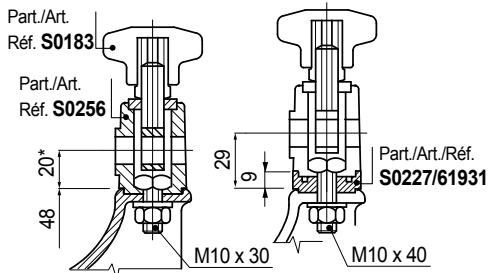
\* = To increase the height (by 9 mm) use 1 spacer Part. S0227 code 61931. The length of the thread allows for only 1 spacer.

### • Assembly with swivel head Part. S0359



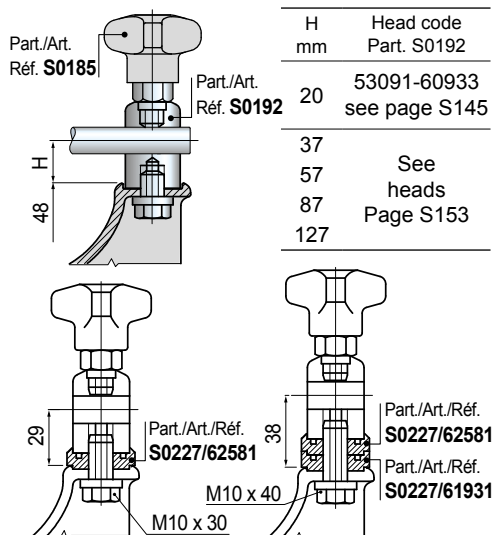
\* = To increase the height (by 9 mm) use 1 or more spacer Part. S0227 code 61931. To use the spacer it is necessary a longer screw.

### • Assembly with swivel head Part. S0256



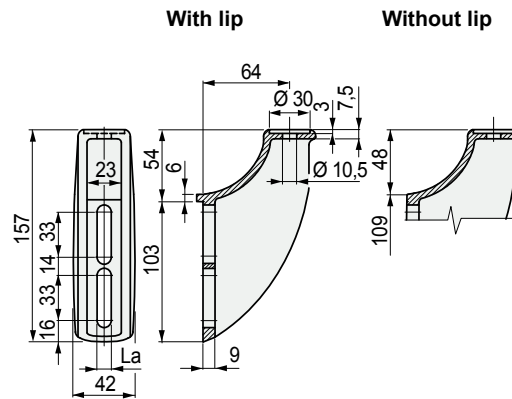
\* = To increase the height (by 9 mm) use 1 or more spacer Part. S0227 code 61931. To use the spacer it is necessary a longer screw.

### • Assembly with swivel head Part. S0192



To use the spacer Part. S0227, it is necessary a longer screw.

### ■ Adjustable bracket



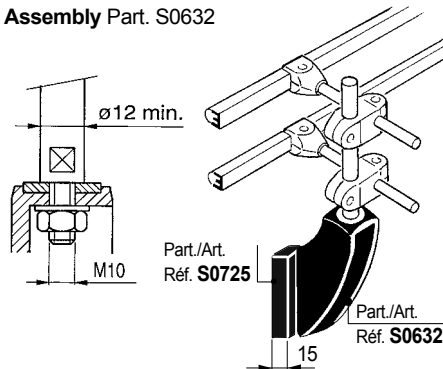
Version	Code		Weight kg
	La = 9	La = 10,5	
With lip	616843	616853	0,21
Without lip	605263	647142	

- Material: reinforced polyamide PA FV (black).
- Packaging: 50 pieces.
- Accessories: spacer Part. S0725.

## Part. S0632



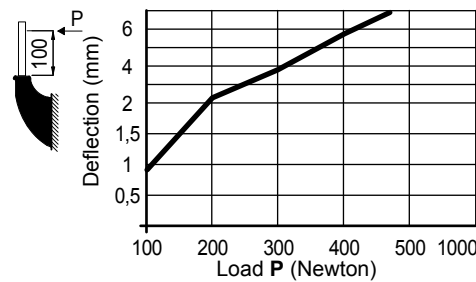
### • Assembly Part. S0632



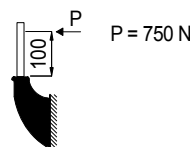
- Part. S0632 permit application of drip tray support Part. S0226 - S0336.

Part./Art./Réf. S0226 - S0336

### • Deflection of Part. S0632



### • Breaking load P



- Best Seller
- Standard
- On request: minimum quantity may apply. Consult our Customer Service for availability.

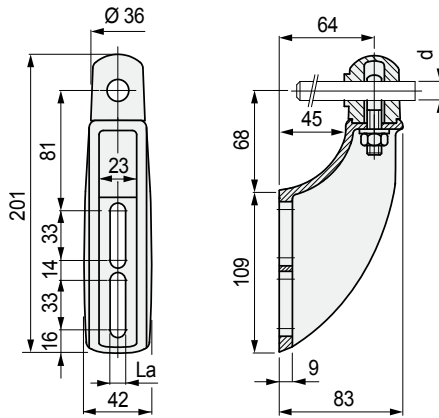
Item code for order = Part. + Code



Part. **S0635**



Adjustable bracket



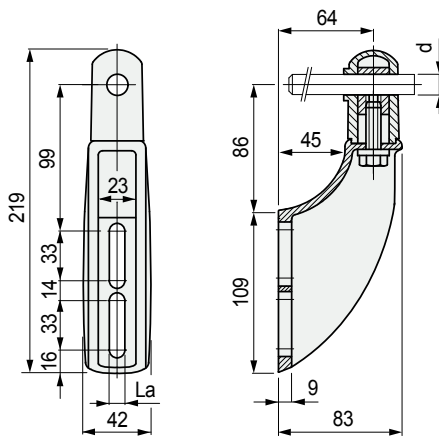
Pin dia. d mm	Code		Weight kg
	La = 9 mm	La = 10,5 mm	
12	610893	648312	0,30
14	610903	648322	
16	610913	648332	

- Material: bracket and swivel head in reinforced Polyamide PA FV (black), eyebolt and tightening nut in austenitic stainless steel.
- Operation: by untightening the nut, the position of the top and the pin can be adjusted.
- Max recommended tightening torque: 4 Kgm.
- Packaging: 50 pieces.

Part. **S0636**



Adjustable bracket



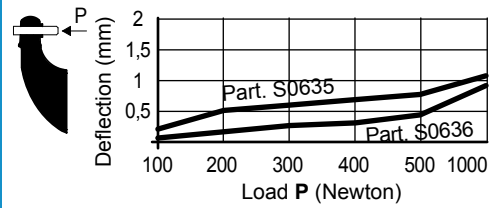
Pin dia. d mm	Code		Weight kg
	La = 9 mm	La = 10,5 mm	
12	610923	648342	0,30
14	610933	648352	
16	610943	648362	

- Material: bracket and swivel head in reinforced Polyamide PA FV (black), eyebolt in nickel plated brass, tightening screw in austenitic stainless steel.
- Operation: by untightening the screw, the position of the top and the pin can be adjusted.
- Max recommended tightening torque: 4 Kgm.
- Packaging: 50 pieces.

- Best Seller
- Standard
- On request: minimum quantity may apply. Consult our Customer Service for availability.

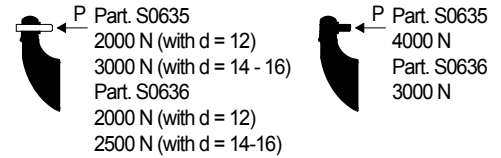
Item code for order = Part. + Code

Deflection of Part. S0635 - S0636



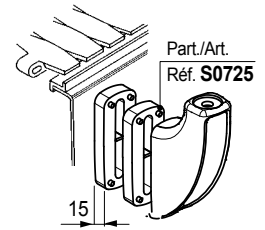
Technical data Part. S0635 - S0636

- Sliding load resistance:
- Breaking load:

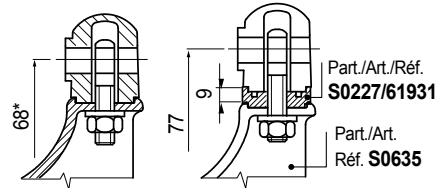


Tests performed at tightening torque: 4 Kgm

- Part. S0635 - S0636 permit application of 1 or more spacer Part. S0725.

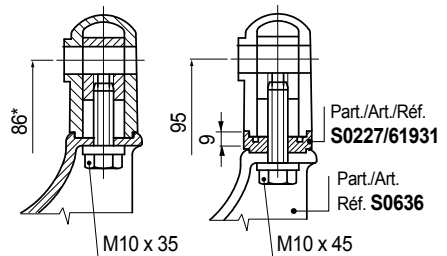


- Part. S0635 permit application of spacer Part. S0227.



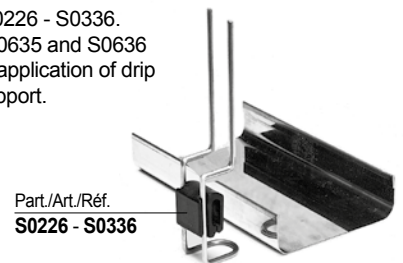
- \* = To increase the height (by 9 mm) use 1 spacer Part. S0227 code 61931. The length of the thread allows for only 1 spacer.

- Part. S0636 permit application of spacer Part. S0227.

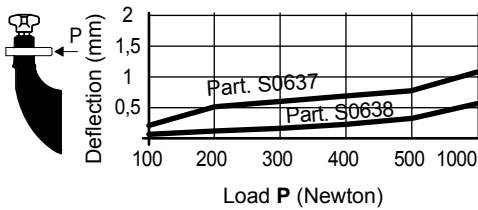


- \* = To increase the height (by 9 mm) use 1 or more spacer Part. S0227 code 61931. To use the spacer it is necessary a longer screw.

- Part. S0226 - S0336. Part. S0635 and S0636 permit application of drip tray support.

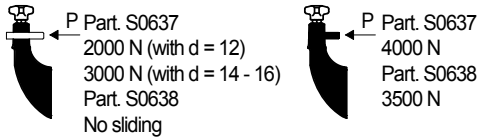


## Deflection of Part. S0637 - S0638



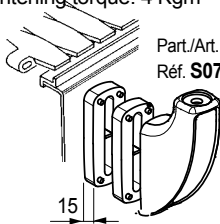
## Technical data Part. S0637 - S0638

- Sliding load resistance:
- Breaking load:

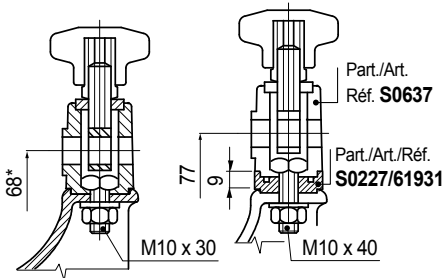


Tests performed at tightening torque: 4 Kgm

- Part. S0637 - S0638 permit application of 1 or more spacer Part. S0725.

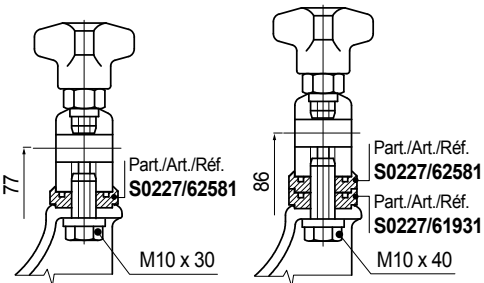


- Part. S0637 permit application of spacer Part. S0227.



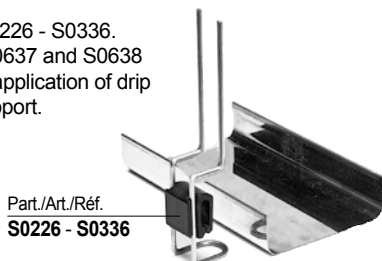
\* = To increase the height (by 9 mm) use 1 spacer Part. S0227 code 61931. To use the spacer it is necessary a longer screw.

- Part. S0638 permit application of spacer Part. S0227.

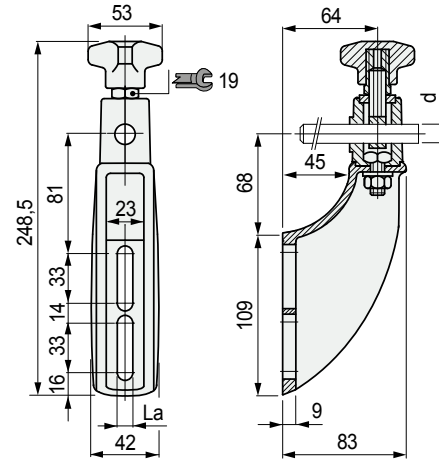


To use the spacer Part. S0227 it is necessary a longer screw.

- Part. S0226 - S0336. Part. S0637 and S0638 permit application of drip tray support.



## Adjustable bracket



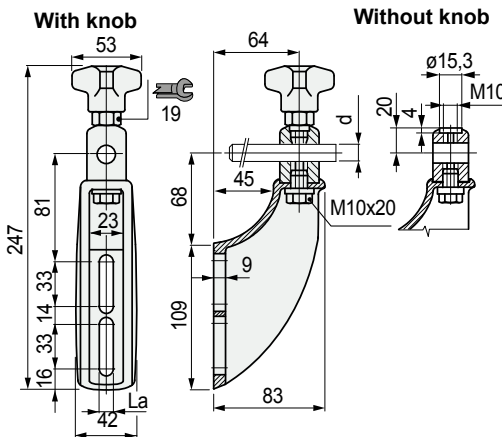
Pin dia. d mm	Code		Weight kg
	La = 9 mm	La = 10,5 mm	
12	605423	648372	0,40
14	605433	648382	
16	605443	648392	

- Material: bracket, swivel head and knob in reinforced polyamide (black), hexagonal insert (for 19 mm wrench) in nickel plated brass, eyebolt and tightening nuts/bolt in austenitic stainless steel.
- Operation: by untightening the bolt, the position of the top can be adjusted. By untightening the knob, the position of the pin can be adjusted.
- Max recommended tightening torque: 4 Kgm.
- Packaging: 50 pieces.

## Part. S0637



## Adjustable bracket



Pin dia. d mm	Swivel head material	Code		Weight kg
		La = 9 mm	La = 10,5 mm	
<b>With knob</b>				
14÷16	Austenitic stainless steel	610953	648402	0,50
	Nickel plated brass	610963	648412	
<b>Without knob</b>				
14÷16	Austenitic stainless steel	610973	648422	0,50
	Nickel plated brass	610983	648432	

## Part. S0638



Stainless steel and brass swivel head

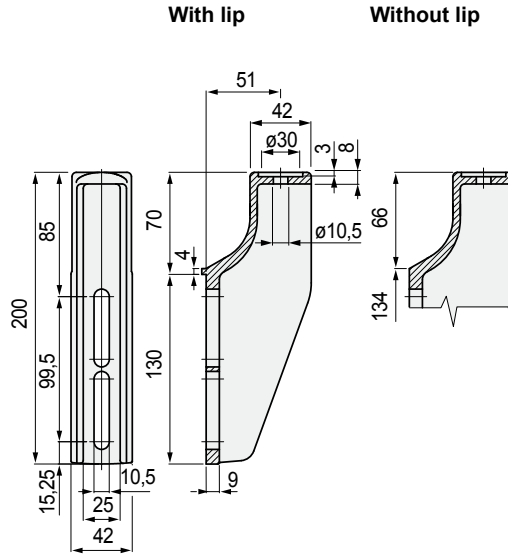
- The bracket can be used with dia. 14 and dia. 16 mm pins.
- Material: bracket and knob in reinforced Polyamide PA.FV (black), hexagonal insert (for 19 mm wrench) in nickel plated brass, tightening nuts/bolt in austenitic stainless steel.
- Operation: by untightening the bolt, the position of the top can be adjusted. By untightening the knob, the position of the pin can be adjusted.
- Max recommended tightening torque: 4 Kgm.
- Packaging: 25 pieces.

- Best Seller
- Standard
- On request: minimum quantity may apply. Consult our Customer Service for availability.

Item code for order = Part. + Code

Part. **S0540**

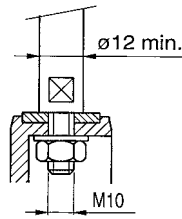
Adjustable bracket



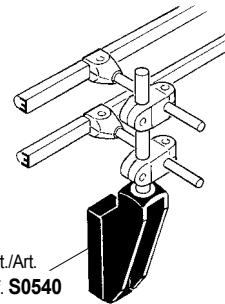
Version	Code	Weight kg
With lip	683551	0,15
Without lip	683541	

- Material: reinforced polyamide PA FV (black).
- Packaging: 50 pieces.
- Accessories: spacer Part. S0725.

Pin dimensions for Part. S0540

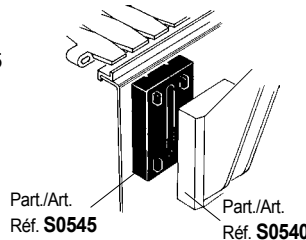


Assembly of Part. S0540



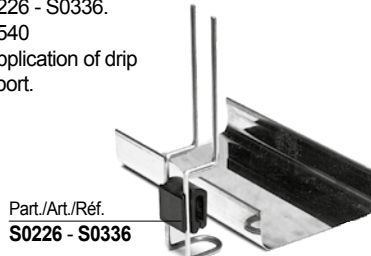
Accessories

Spacer Part. S0545  
Applicable to Part. S0540

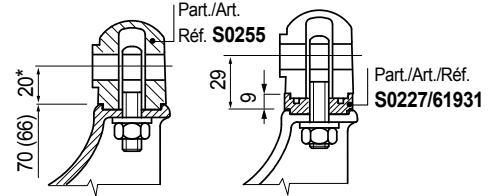


Assembly of drip tray support

Part. S0226 - S0336.  
Part. S0540 permit application of drip tray support.

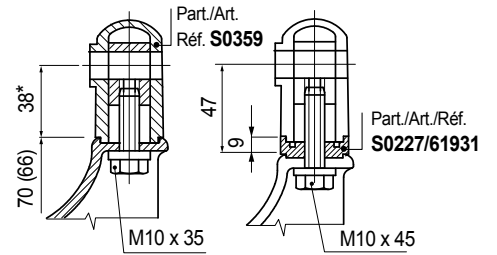


Assembly with swivel head Part. S0255



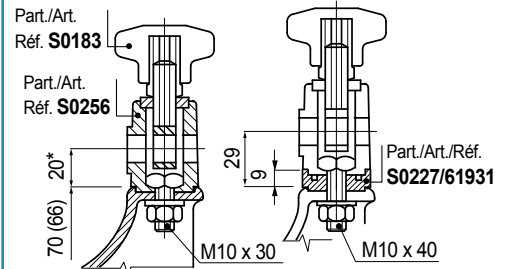
\* = To increase the height (by 9 mm) use 1 spacer Part. S0227 code 61931. The length of the thread allows for only 1 spacer.

Assembly with swivel head Part. S0359



\* = To increase the height (by 9 mm) use 1 or more spacer Part. S0227 code 61931. To use the spacer it is necessary a longer screw.

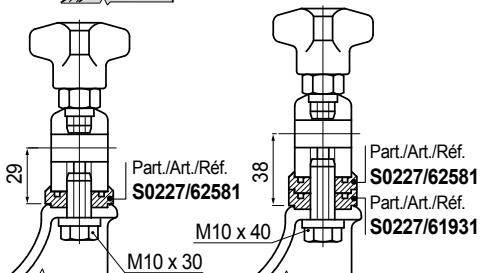
Assembly with swivel head Part. S0256



\* = To increase the height (by 9 mm) use 1 or more spacer Part. S0227 code 61931. To use the spacer it is necessary a longer screw.

Assembly with swivel head Part. S0192

Part./Art. Réf. S0185	H mm	Head code Part. S0192
Part./Art. Réf. S0192	20	53091-60933 see page S145
	37	See heads Page S153
	57	
	87	
	127	

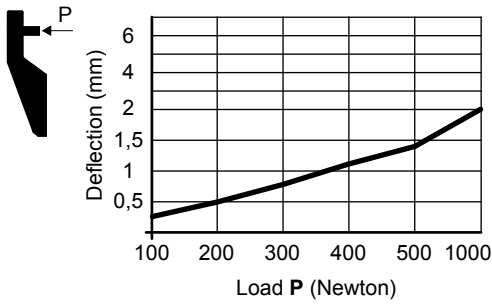


To use the spacer Part. S0227, it is necessary a longer screw.

- Best Seller
- Standard
- On request: minimum quantity may apply. Consult our Customer Service for availability.

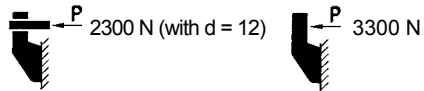
Item code for order = Part. + Code

### • Deflection of Part. S0107S



### • Technical data of Part. S0107S

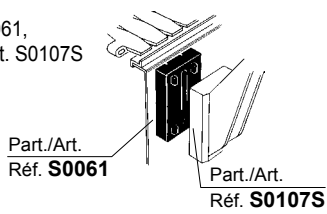
- Sliding load resistance: - Breaking load:



Tests performed at tightening torque: 2 Kgm

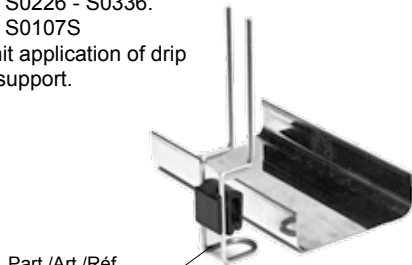
### • Accessories

Spacer Part. S0061,  
Applicable to Part. S0107S



### • Assembly of drip tray support

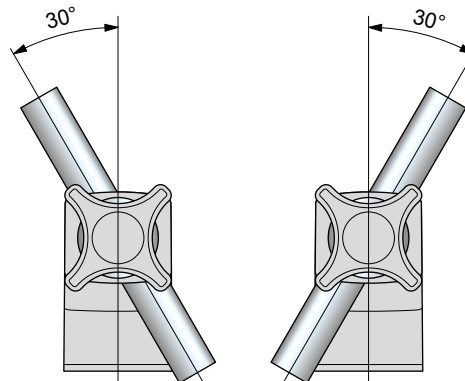
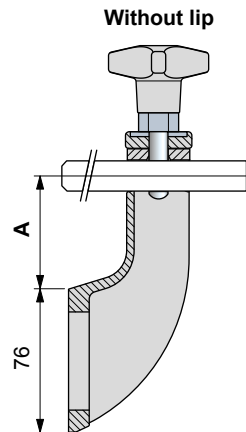
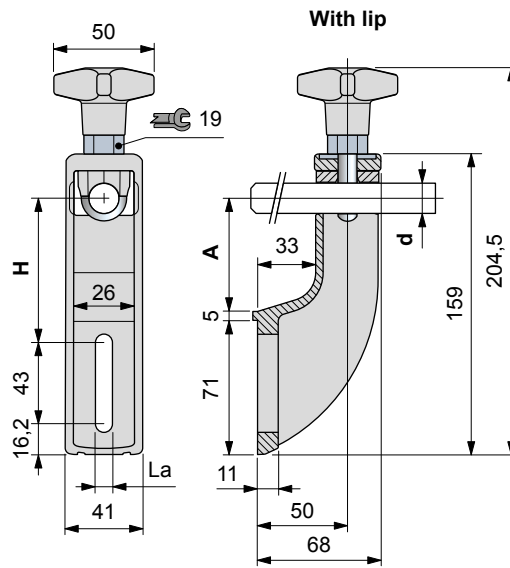
Part. S0226 - S0336.  
Part. S0107S  
permit application of drip  
tray support.



### • Adjustable: $\pm 30^\circ$



### ■ Adjustable bracket



Version	H	A	Pin dia. d		Code	
			mm	inch	La = 9 mm	La = 10,5 mm
With lip	78,9	62,4	12	1/2	643523	643543
	77,6	61,1	14	-	644793	644833
	76,3	59,8	16	5/8	644803	644843
Without lip	78,9	62,4	12	1/2	643533	643553
	77,6	61,1	14	-	644813	644853
	76,3	59,8	16	5/8	644823	644863

- Material: bracket and knob in reinforced polyamide PA FV (black). Hexagonal insert (for 19 mm wrench) in nickel plated brass. Eyebolt in austenitic stainless steel.
- Weight: 0,22 Kg.
- Max recommended tightening torque: 2 Kgm.
- Packaging: 50 pieces.

## Part. S0107S



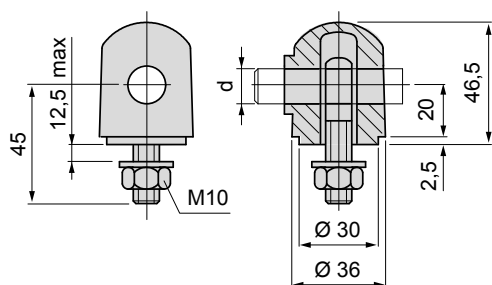
**PATENT PENDING**

- Best Seller
- Standard
- On request: minimum quantity may apply. Consult our Customer Service for availability.

Item code for order = Part. + Code

Part. **S0255**

■ Swivel head

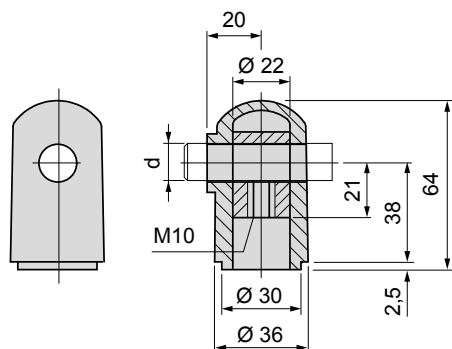


Material	Pin dia. d mm	Code	Weight kg
Reinforced polyamide PA FV (black)	12	<b>69670</b>	0,08
	14	<b>69680</b>	
	16	<b>59041</b>	

- Material: tightening nut and eyebolt in austenitic stainless steel.
- Packaging: 50 pieces.

Part. **S0359**

■ Swivel head

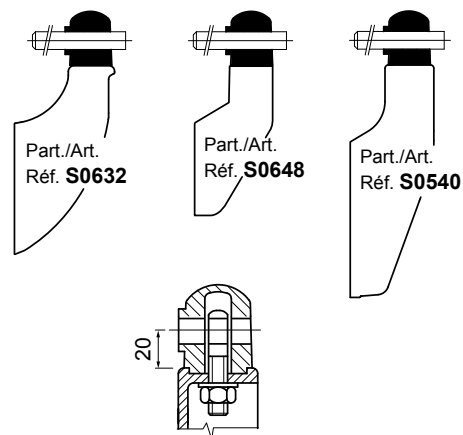


Material	Pin dia. d mm	Code	Weight kg
Reinforced polyamide PA FV (black)	12	<b>684501</b>	0,10
	14	<b>684511</b>	
	16	<b>64235</b>	

- Material: eyebolt in nickel plated brass.
- Packaging: 50 pieces.

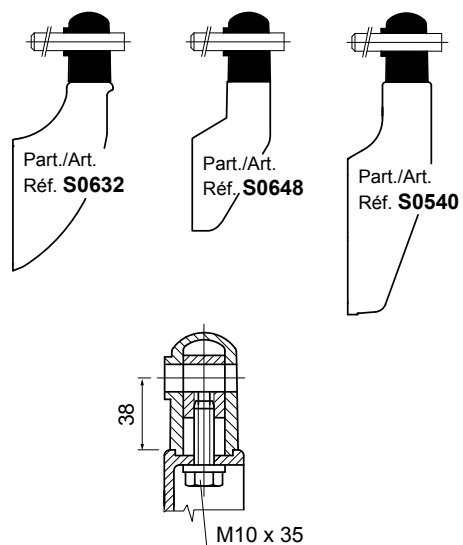
• Assembly of Part. S0255

Applicable to brackets Part. S0632 - S0648 - S0540



• Assembly of Part. S0359

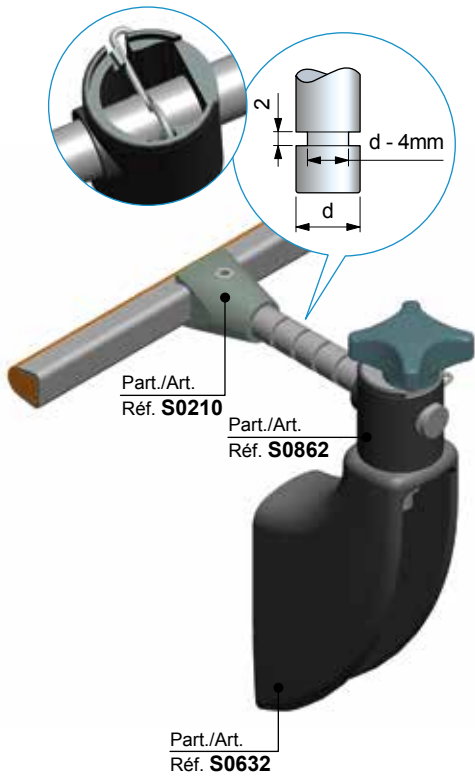
Applicable to brackets Part. S0632 - S0648 - S0540



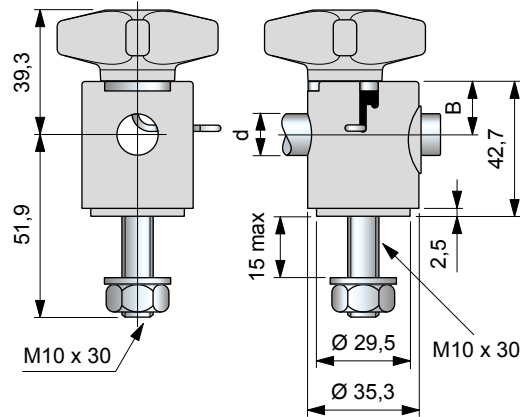
- Best Seller
- Standard
- On request: minimum quantity may apply. Consult our Customer Service for availability.

Item code for order = Part. + Code

- **Assembly of Part. S0862**  
Applicable to brackets Part. S0632 - S0648 - S0540



## Swivel head



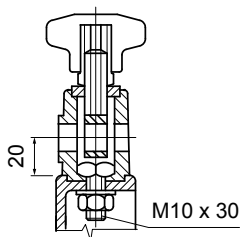
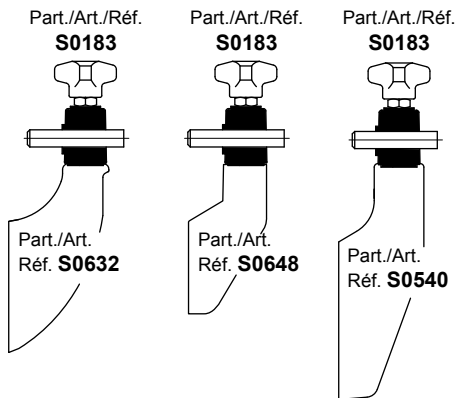
Pin dia. d mm	Pin dia. d inch	B	Code	Weight kg
12	1/2"	16,9	<b>649763</b>	
14	-	17,5	<b>649773</b>	0,08
16	5/8"	18,4	<b>649783</b>	

- Material: clamp and knob in reinforced polyamide PA FV (black).  
Tightening nut and eyebolt in austenitic stainless steel.
- Packaging: 50 pieces.

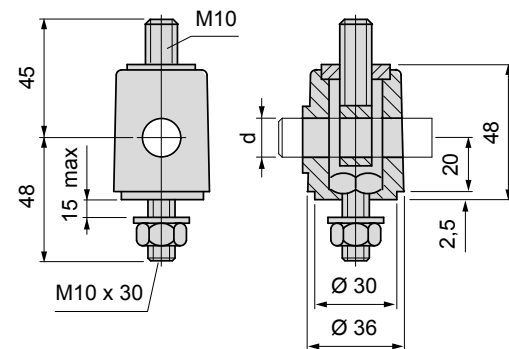
## Part. S0862



- **Assembly of Part. S0256**  
Applicable to brackets Part. S0632 - S0648 - S0540  
(in combination with knob Part. S0183).



## Swivel head



Material	Pin dia. d mm	Code	Weight kg
Reinforced polyamide PA FV (black)	12	<b>64561</b>	
	14	<b>64571</b>	0,12
	16	<b>64581</b>	

- Material: tightening nut and eyebolt in austenitic stainless steel.
- Packaging: 50 pieces.

## Part. S0256



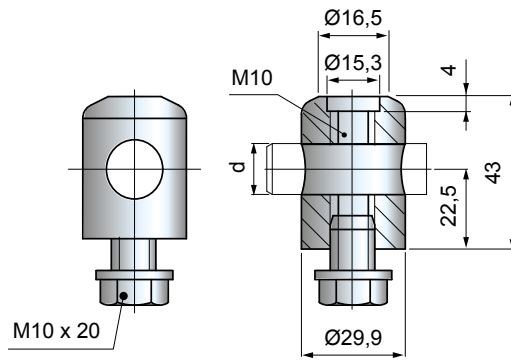
- Best Seller
- Standard
- On request: minimum quantity may apply. Consult our Customer Service for availability.

Item code for order = Part. + Code

Part. **S0192**



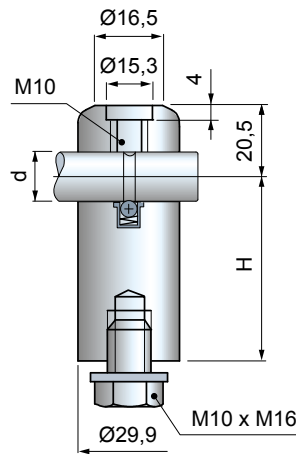
■ Swivel head



Pin dia. d mm	Materiale	Code	Weight kg
12 (1/2")	Austenitic stainless steel	<b>608683</b>	
14÷16*	Austenitic stainless steel	<b>53091</b>	0,19
	Nickel plated brass	<b>60933</b>	

\* = the bearing head can be used with dia.14 and dia.16 mm pins.  
 - Material: tightening bolt in austenitic stainless steel.  
 - Packaging: 50 pieces.

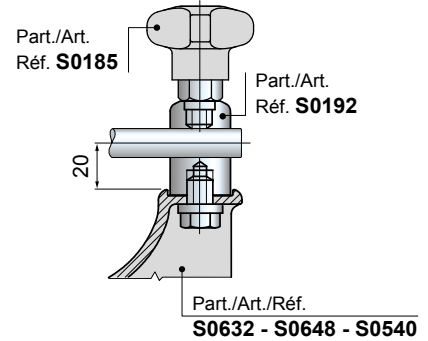
■ Swivel head with positioner



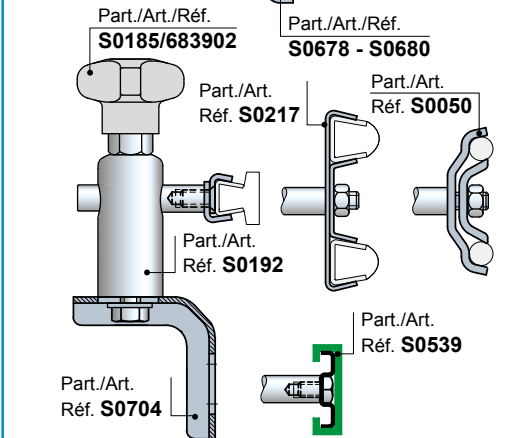
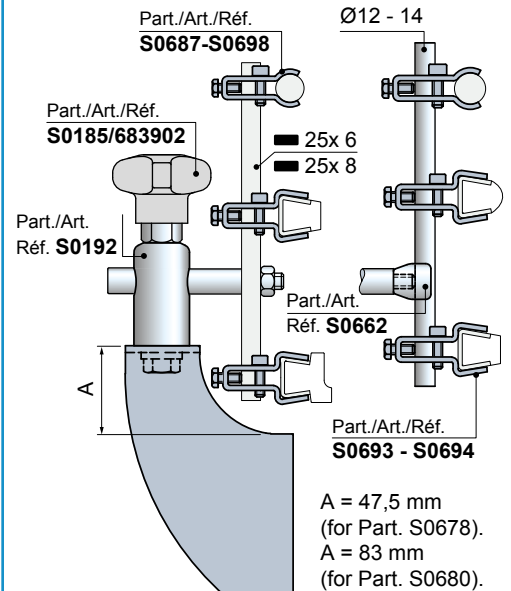
Pin dia. d mm	H mm	Code		Weight kg
		Sans positionneur	Avec positionneur	
12	22,5	<b>685842</b>	-	0,19
	40	<b>674012</b>	<b>673962</b>	0,29
14÷16*	60	<b>674022</b>	<b>673972</b>	0,40
	90	<b>674032</b>	<b>673982</b>	0,56
	130	<b>674042</b>	<b>673992</b>	0,79

\* = Version with positioner can be used only with dia.16 mm pins.  
 - Material: swivel head in austenitic stainless steel.  
 - Tightening bolt in austenitic stainless steel.  
 - Packaging: 10 pieces.

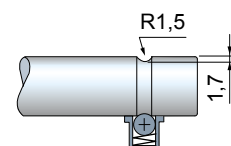
• **Assembly** of Part. S0192  
 Applicable to brackets Part. S0632 - S0648 - S0540 (in combination with knob Part. S0185).



• Use of Part. S0192



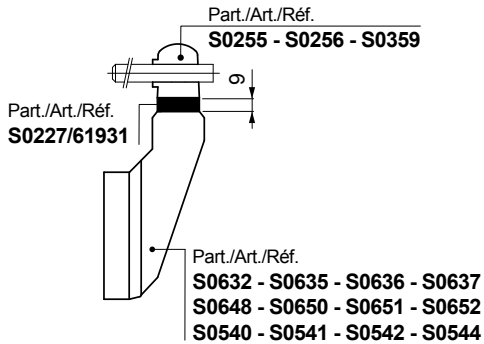
• Pin dimension for positioner



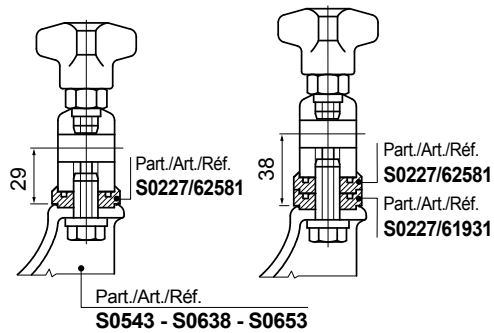
- Best Seller
- Standard
- On request: minimum quantity may apply. Consult our Customer Service for availability.

Item code for order = Part. + Code

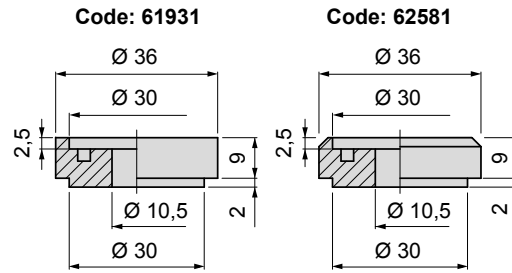
- **Assembly** of Part. S0227 code 61931  
Applicable to adjustable brackets.



- **Assembly** of Part. S0227 code 62581  
Applicable only to adjustable brackets  
Part. S0543 - S0638 - S0653 (version with metal head).



## ■ Spacer



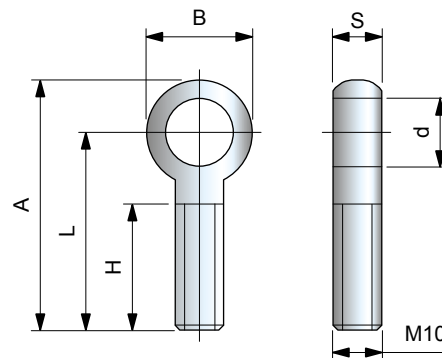
Use	Code	Weight kg
With any adjustable bracket or bearing head	61931	
For adjustable bracket Part. S0178 - S0543 - S0638 - S0653 or bearing head Part. S0192	62581	0,01

- Material: Reinforced polyamide PA FV (black).
- Packaging: 50 pieces.

## Part. S0227



## ■ Eyebolt



d mm	L mm	H mm	A mm	B mm	S mm	Code
	30	18	41	20	10	65624
13	40	30	51	21	10	69878
	45	35	56	21	10	65524
14,2	30	20	41	20	10	61005
	45	35	56	21	10	60995
16,2	44	32	56	24	10	65804
20,5	36	22	50	27	7,3	675902

- Material: austenitic stainless steel.

## Part. S0000



● Best Seller

● Standard

● On request: minimum quantity may apply. Consult our Customer Service for availability.

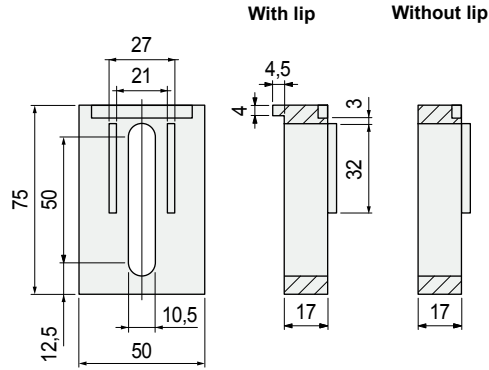
Item code for order = Part. + Code



Part. **S0061**



■ Spacer

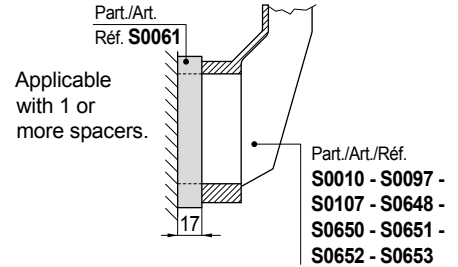


Version	Code	Weight kg
With lip	<b>66194N</b>	0,04
Without lip	<b>50870N</b>	

- Material: reinforced polyamide PA FV (black).
- Packaging: 50 pieces.

• Assembly of Part. S0061

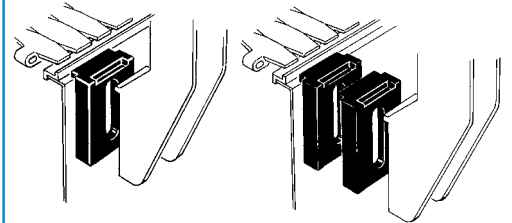
Applicable to Part. S0010 - S0097 - S0107 - S0648 - S0650 - S0651 - S0652 - S0653.



Advantages of version with lip:

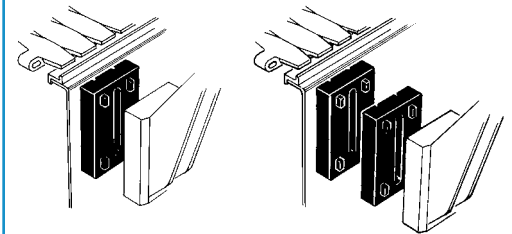
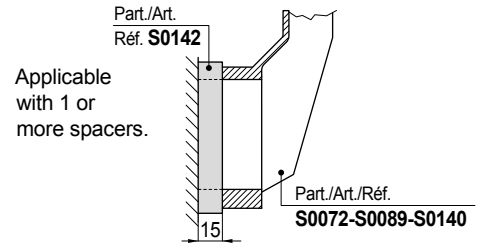
Possibility of resting on side of conveyor frame.

Possibility of assembling several spacers, all centred.



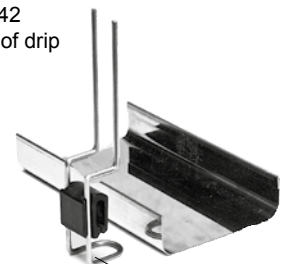
• Assembly of Part. S0142

Applicable to Part. S0072 - S0089 - S0140.



• Assembly of drip tray support

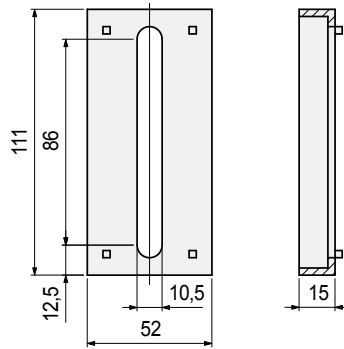
Part. S0226 - S0336.  
Part. S0061 - S0142 permit application of drip tray support.



Part. **S0142**



■ Spacer



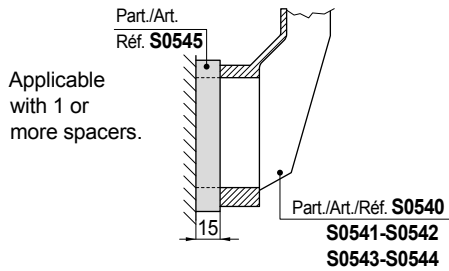
Code	Weight kg
<b>65870</b>	0,06

- Material: reinforced polyamide PA FV (black).
- Packaging: 25 pieces.

- Best Seller
- Standard
- On request: minimum quantity may apply. Consult our Customer Service for availability.

Item code for order = Part. + Code

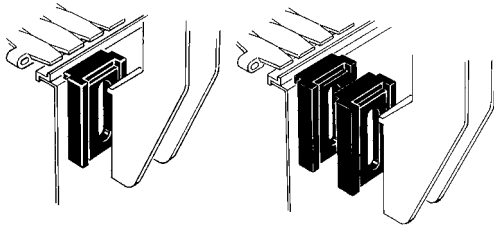
- **Assembly** of Part. S0545  
Applicable to Part. S0540 - S0541 - S0542 - S0543 - S0544.



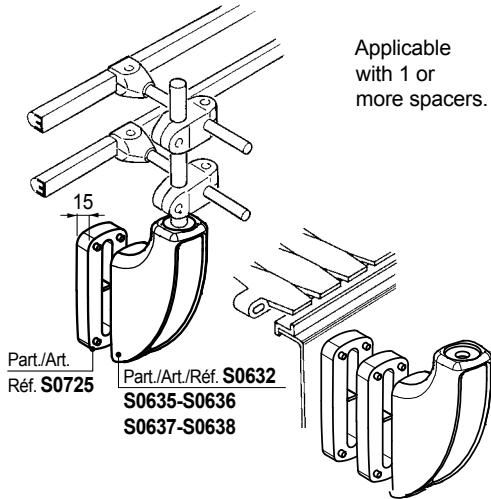
Advantages of version with lip:

Possibility of resting on side of conveyor frame.

Possibility of assembling several spacers, all centred.

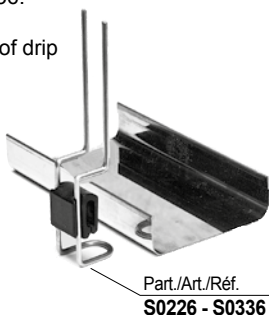


- **Assembly** of Part. S0725  
Applicable to Part. S0632 - S0635 - S0636 - S0637 - S0638.



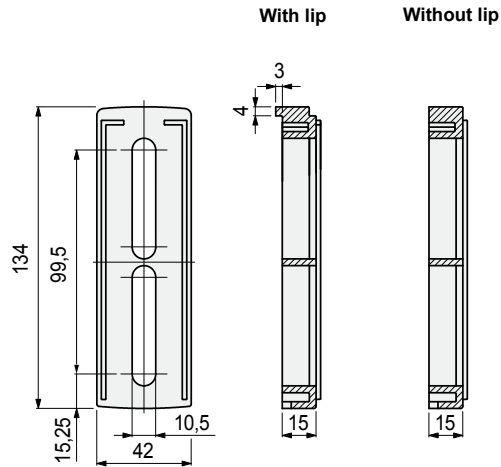
Applicable with 1 or more spacers.

- **Assembly** of drip tray support  
Part. S0226 - S0336.  
Part. S0725 permit application of drip tray support.



Part./Art./Réf. S0226 - S0336

## ■ Spacer



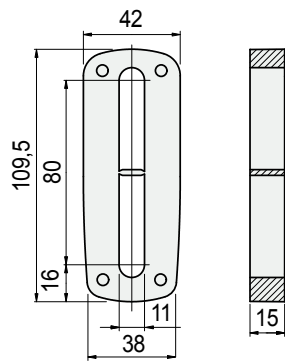
Version	Code	Weight kg
With lip	683771	0,04
Without lip	683761	

- Material: reinforced polyamide PA FV (black).
- Packaging: 25 pieces.

## Part. S0545



## ■ Spacer



Code	Weight kg
688762	0,05

- Material: reinforced polyamide PA FV (black).
- Packaging: 25 pieces.

## Part. S0725



- Best Seller
- Standard
- On request: minimum quantity may apply. Consult our Customer Service for availability.

Item code for order = Part. + Code

Part. **S0226**

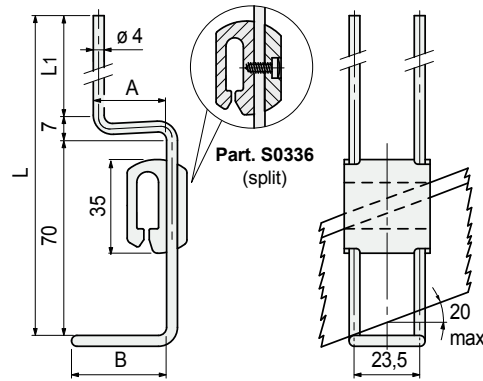
Part. **S0336**



Bent rod

■ Drip tray support

Part. S0226 (standard)



Height L mm	L1 mm	A mm	B mm	Code		Weight kg
				Part. S0226 Standard	Part. S0336 Split	
		14	35	67305N	697761N	
		17	35	66772N	66823N	
180	103	27	35	62071N	60574N	0,06
		27	50	67319N	697771N	
		57	50	641461N	697781N	
200	123	38	35	64681N	697791N	
230	153	27	35	64631N	697801N	
310	233	18	35	647551N	68299N	

- Material: body in reinforced polypropylene PP FV (black), support element in austenitic stainless steel, self-tapping screw (only for Part. S0336) in stainless steel.  
- Packaging: 100 pieces.

Part. **S0226**

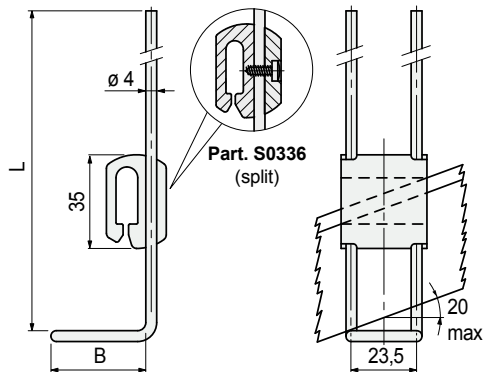
Part. **S0336**



Straight rod

■ Drip tray support

Part. S0226 (standard)



Height L mm	B mm	Code		Weight kg
		Part. S0226 Standard	Part. S0336 Split	
200	35	61767	697811	0,06

- Material: body in reinforced polypropylene PP FV (black), support element in austenitic stainless steel, self-tapping screw (only for Part. S0336) in stainless steel.  
- Packaging: 100 pieces.

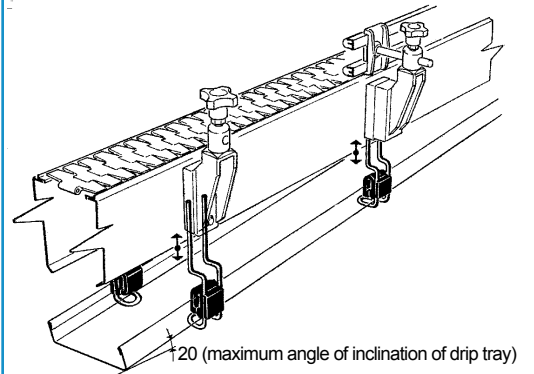
● Best Seller

● Standard

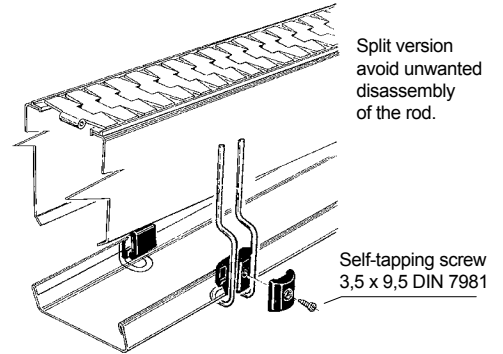
● On request: minimum quantity may apply. Consult our Customer Service for availability.

Item code for order = Part. + Code

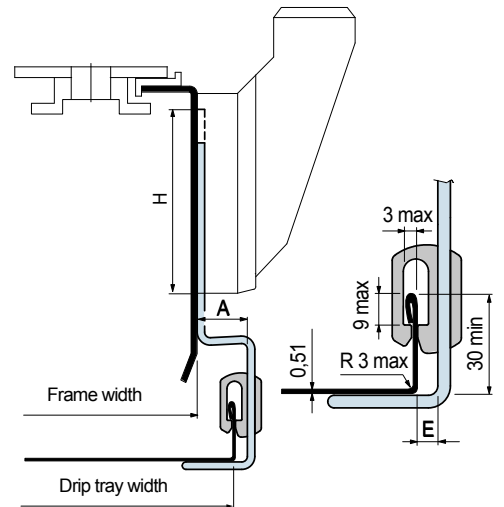
• Assembly of Part. S0336 (standard)



• Assembly of Part. S0336 (split)



• Drip tray design



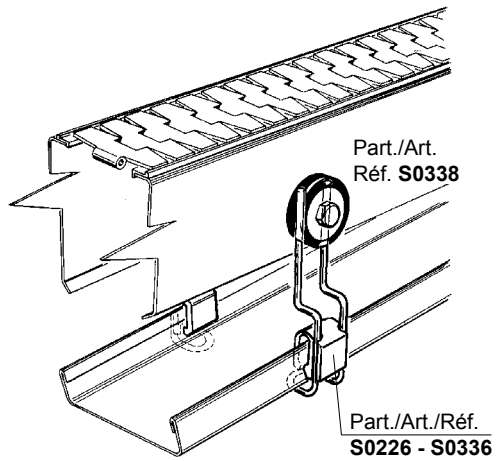
Drip tray width = Frame width + 2 • (A - E)

A = see table with codes

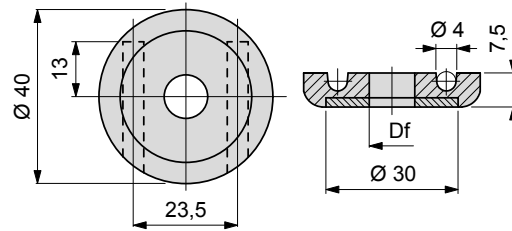
E = 10 mm for Part. S0226 (standard)  
9,2 mm for Part. S0336 (split)

Bracket Part.	Rod slot length H mm
S0081 - S0088	70
S0072 - S0089	102,5
S0085	53
S0010 - S0097	71
S0107	72
S0599	104
S0140	106
S0617	95
S0632 - S0635 - S0636 - S0637 - S0638	103,5
S0540 - S0541 - S0542 - S0543 - S0544	123

• Assembly of Part. S0336



■ Mounting plate



Bore dia. Df mm	Code	Weight kg
9	<b>67563</b>	0,20
10,5	<b>67325</b>	

- Material: plate in reinforced polyamide (black), washer in austenitic stainless steel.
- Packaging: 100 pieces.

## Part. **S0338**



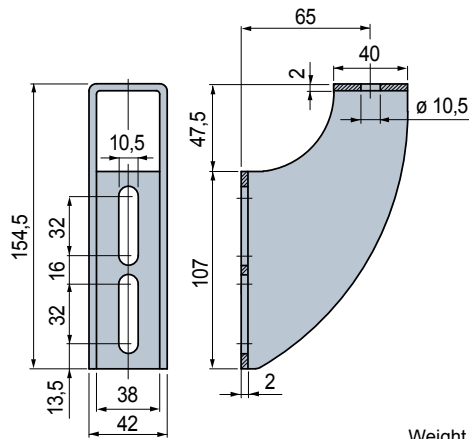
- Best Seller
- Standard
- On request: minimum quantity may apply. Consult our Customer Service for availability.

Item code for order = Part. + Code

Part. **S0678**



Adjustable bracket



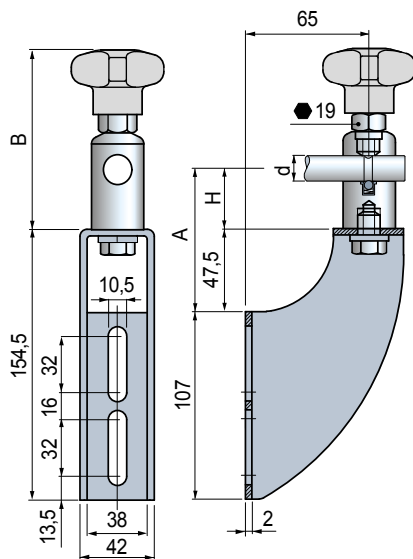
Code	Weight kg
684292	0,32

- Material: austenitic stainless steel.
- Packaging: 6 pieces.

Part. **S0679**



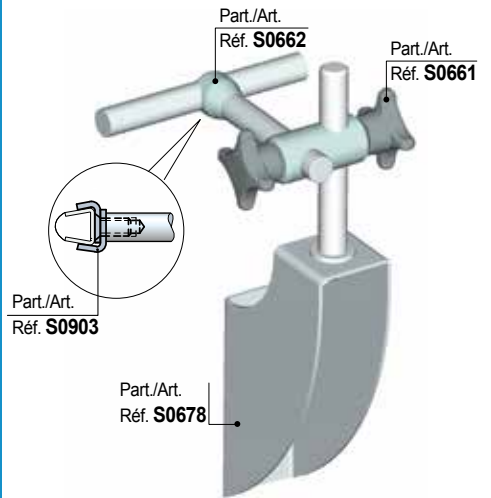
Adjustable bracket



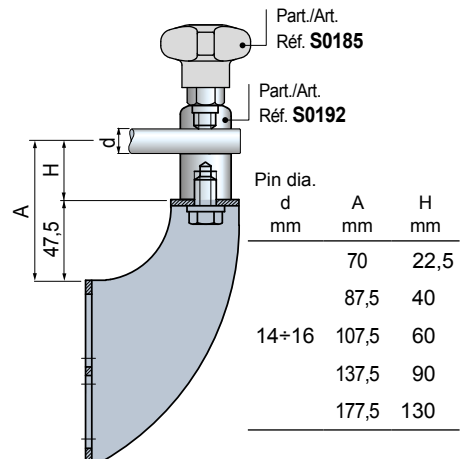
Pin dia. d mm	A mm	H mm	Code	B mm	Weight kg
<b>Without positioner</b>					
70	22,5		684302	89	0,60
87,5	40		684312	106,5	0,70
14+16	107,5	60	684322	126,5	0,81
	137,5	90	684332	156,5	0,97
	177,5	130	684342	196,5	1,20
<b>With positioner</b>					
	87,5	40	685072	106,5	0,70
16*	107,5	60	685082	126,5	0,81
	137,5	90	685092	156,5	0,97
	177,5	130	685102	196,5	1,20

- \* = Version with positioner can be used only with dia. 16 mm pins.
- Material: bracket in austenitic stainless steel.
- Swivel head in austenitic stainless steel.
- Knob in reinforced polypropylene PP FV (grey).
- Hexagonal insert (for 19 mm wrench) and bolts in austenitic stainless steel.
- Max recommended tightening torque: 4 Kgm.
- Packaging: 6 pieces.

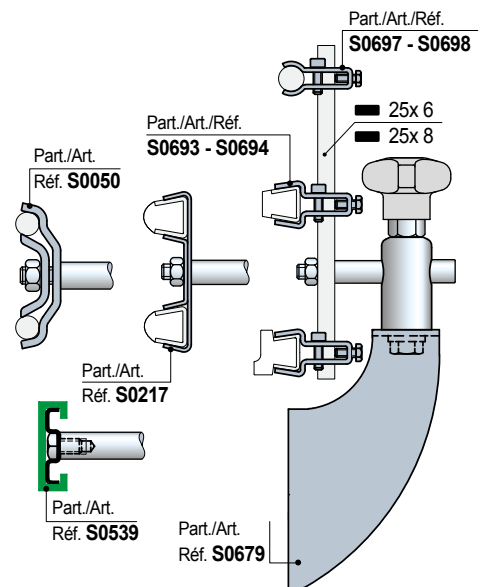
Assembly of Part. S0678



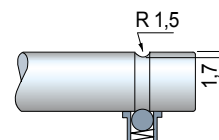
Accessories for Part. S0678



Assembly of Part. S0679



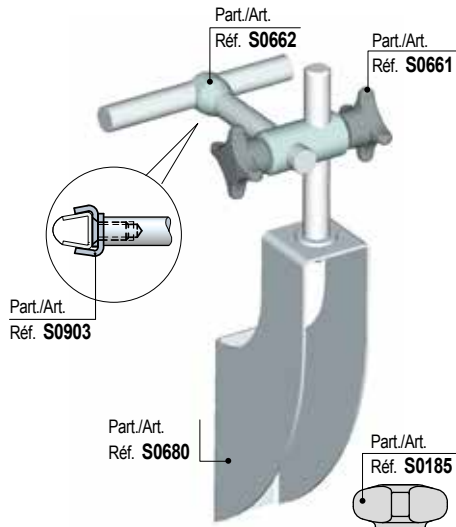
Pin dimension for positioner



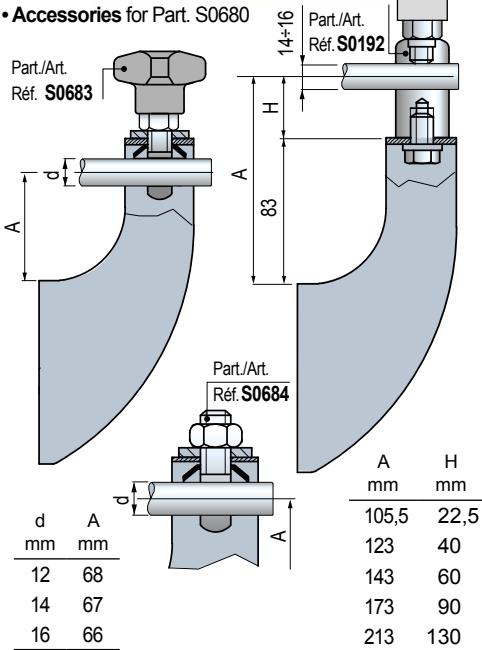
- Best Seller
- Standard
- On request: minimum quantity may apply. Consult our Customer Service for availability.

Item code for order = Part. + Code

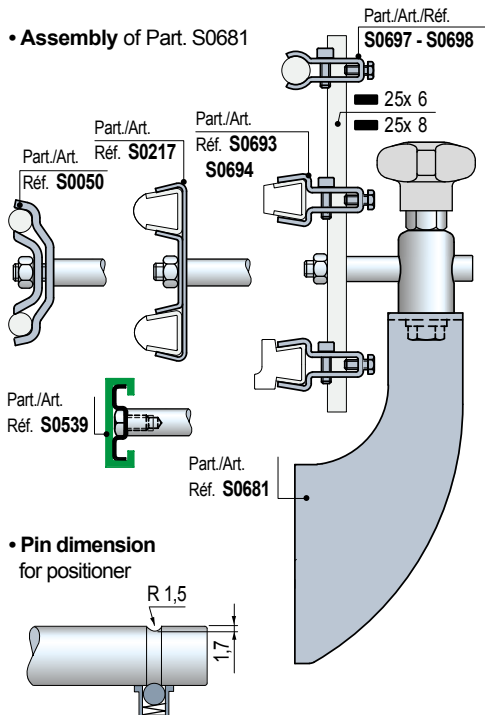
### • Assembly of Part. S0680



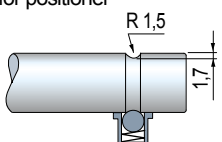
### • Accessories for Part. S0680



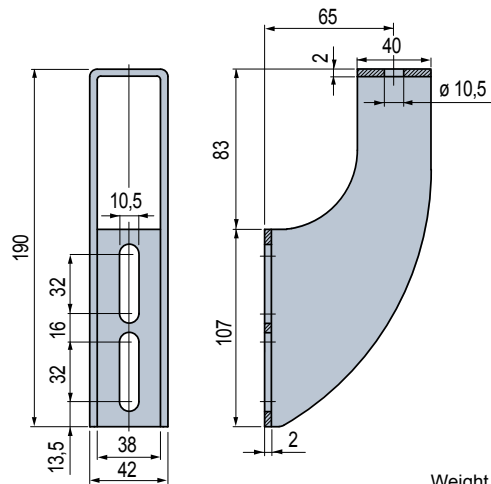
### • Assembly of Part. S0681



### • Pin dimension for positioner



### ■ Adjustable bracket



Code

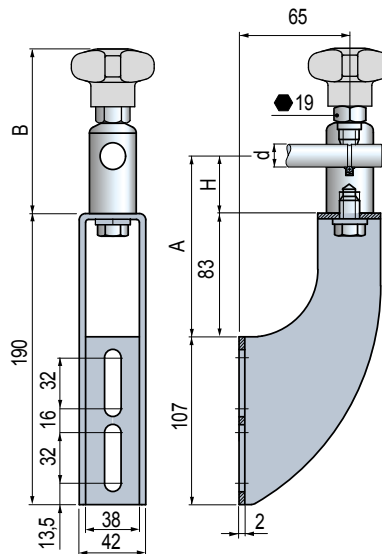
Weight kg

684352

0,36

- Material: austenitic stainless steel.
- Packaging: 6 pieces.

### ■ Adjustable bracket



Pin dia. d mm	A mm	H mm	Code	B mm	Weight kg
---------------	------	------	------	------	-----------

#### Without positioner

105,5	22,5		684402	89	0,64
123	40		685112	106,5	0,74
14±16	60		685122	126,5	0,85
173	90		685132	156,5	1,01
213	130		685142	196,5	1,24

#### With positioner

123	40		684362	106,5	0,74
16*	60		684372	126,5	0,85
173	90		684382	156,5	1,01
213	130		684392	196,5	1,24

\* = Version with positioner can be used only with dia. 16 mm pins.

- Material: bracket in austenitic stainless steel.
- Swivel head in austenitic stainless steel.
- Knob in reinforced polypropylene PP FV (grey).
- Hexagonal insert (for 19 mm wrench) and bolts in austenitic stainless steel.
- Max recommended tightening torque: 4 Kgm.
- Packaging: 6 pieces.

## Part. S0680



## Part. S0681



● Best Seller

● Standard

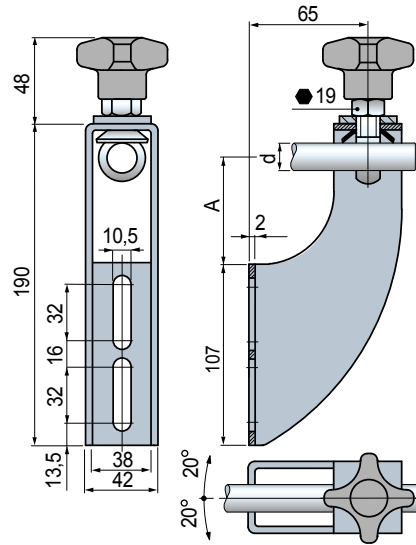
● On request: minimum quantity may apply. Consult our Customer Service for availability.

Item code for order = Part. + Code

Part. **S0682**



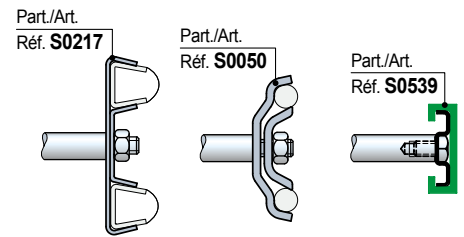
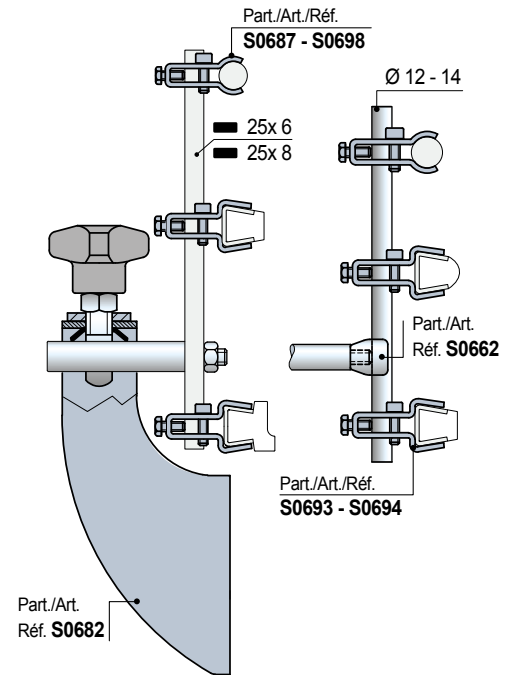
■ Adjustable bracket



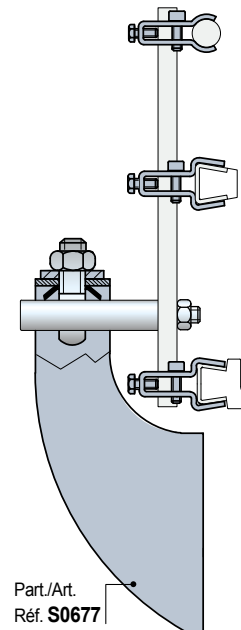
Pin dia. d mm	A mm	Code	Weight kg
12	68	<b>684412</b>	
14	67	<b>684422</b>	0,46
16	66	<b>684432</b>	

- Material: bracket, tightening nut, washer and eyebolt in austenitic stainless steel. Knob in reinforced polypropylene PP FV (grey). Hexagonal insert (for 19 mm wrench) in austenitic stainless steel.  
- Packaging: 6 pieces.

• Use of Part. S0682



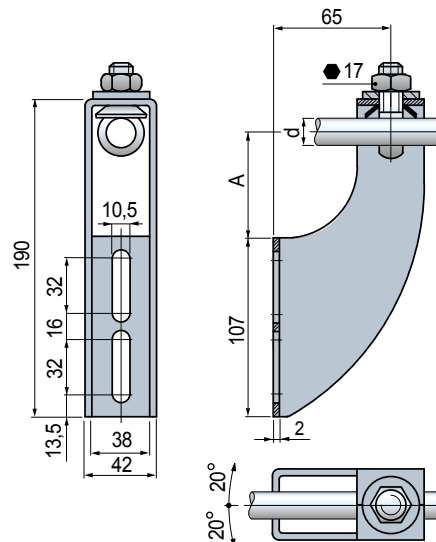
• Use of Part. S0677



Part. **S0677**



■ Adjustable bracket



Pin dia. d mm	A mm	Code	Weight kg
12	68	<b>684262</b>	
14	67	<b>684272</b>	0,42
16	66	<b>684282</b>	

- Material: bracket, tightening nut, washer and eyebolt in austenitic stainless steel.  
- Packaging: 6 pieces.

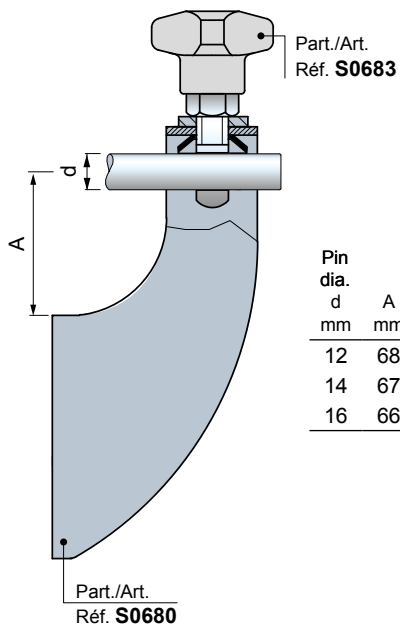
● Best Seller

● Standard

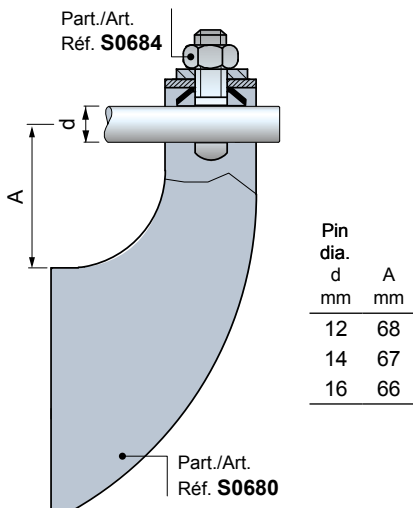
● On request: minimum quantity may apply. Consult our Customer Service for availability.

Item code for order = Part. + Code

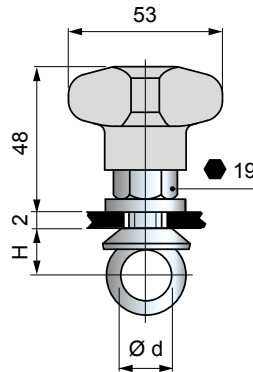
- Use of Part. S0683  
In combination with brackets Part. S0680.



- Use of Part. S0684  
In combination with brackets Part. S0680.



## ■ Eyebolt (with knob)



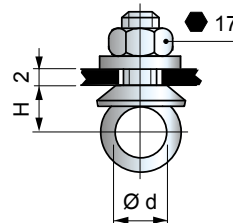
Pin dia. d mm	H mm	Code	Weight kg
12	13	684442	
14	14	684452	0,10
16	15	684462	

- Material: eyebolt and washer in austenitic stainless steel. Knob in reinforced polypropylene PP FV (grey). Hexagonal insert (for 19 mm wrench) in austenitic stainless steel.
- Packaging: 6 pieces.

## Part. S0683



## ■ Eyebolt (with nut)



Pin dia. d mm	H mm	Code	Weight kg
12	13	684472	
14	14	684482	0,06
16	15	684492	

- Material: eyebolt, tightening nut and washer in austenitic stainless steel.
- Packaging: 6 pieces.

## Part. S0684



- Best Seller
- Standard
- On request: minimum quantity may apply. Consult our Customer Service for availability.

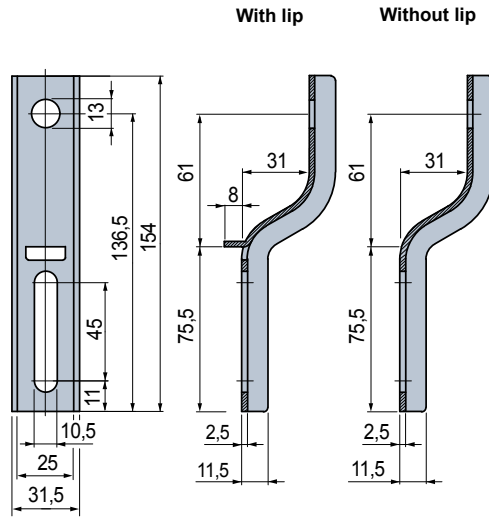
Item code for order = Part. + Code



Part. **S0705**



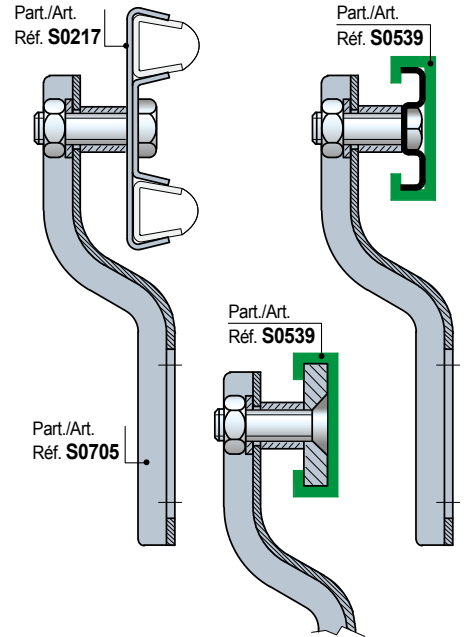
Bracket



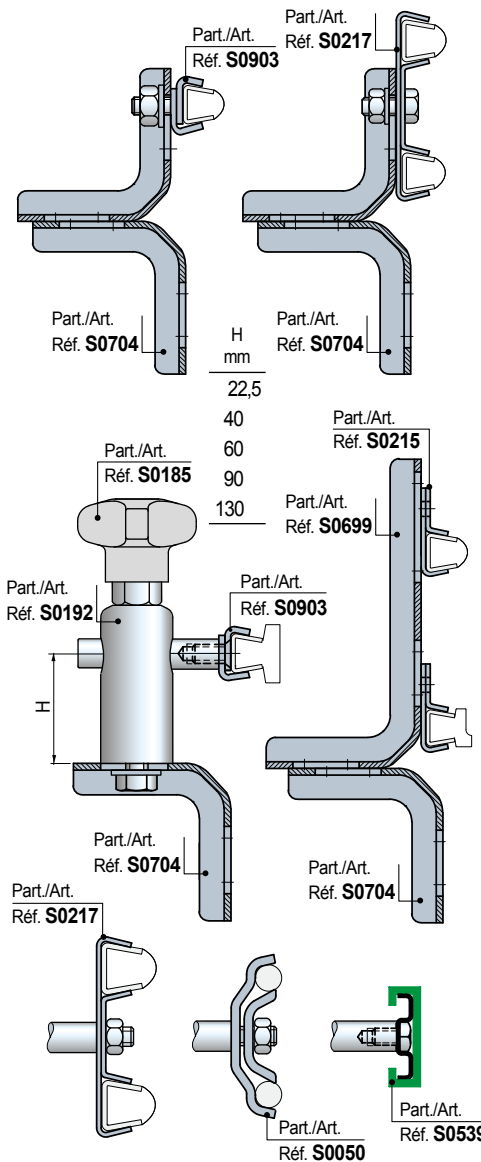
Version	Code	Weight kg
With lip	684902	0,17
Without lip	684912	

- Material: austenitic stainless steel.
- Packaging: 16 pieces.

• Use of Part. S0705



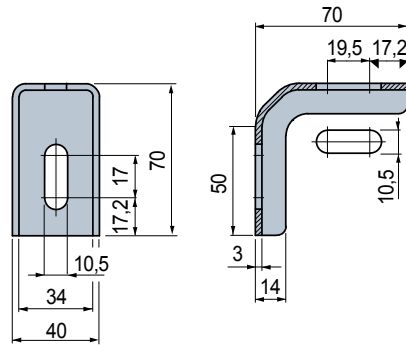
• Use of Part. S0704



Part. **S0704**



Bracket



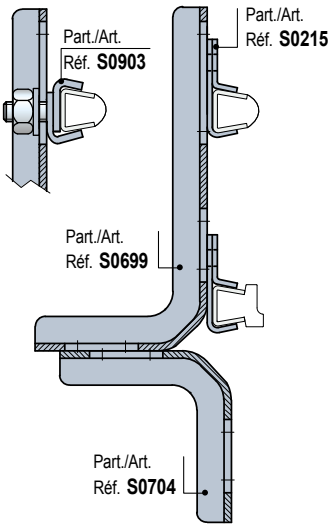
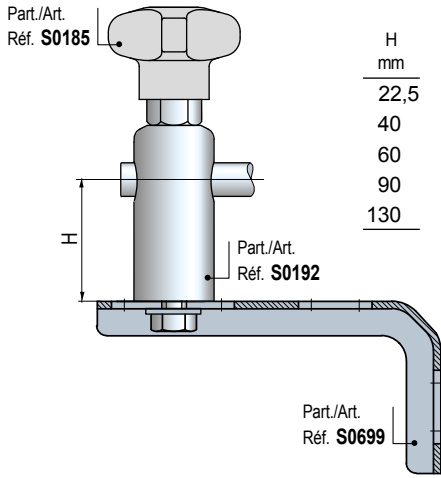
Code	Weight kg
684892	0,15

- Material: austenitic stainless steel.
- Packaging: 16 pieces.

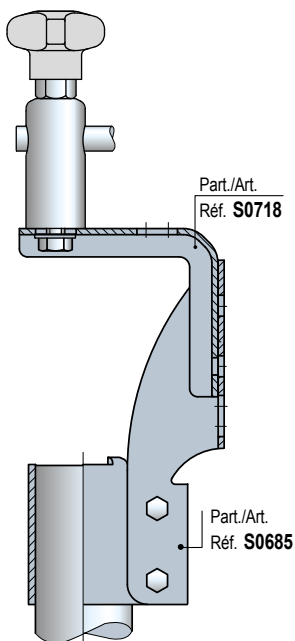
- Best Seller
- Standard
- On request: minimum quantity may apply. Consult our Customer Service for availability.

Item code for order = Part. + Code

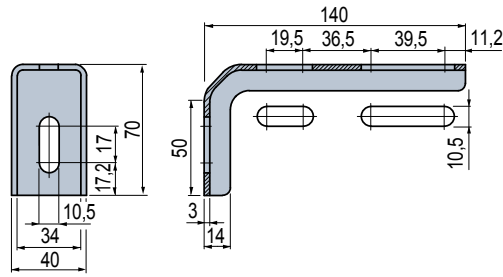
• Use of Part. S0699



• Use of Part. S0718



■ Bracket



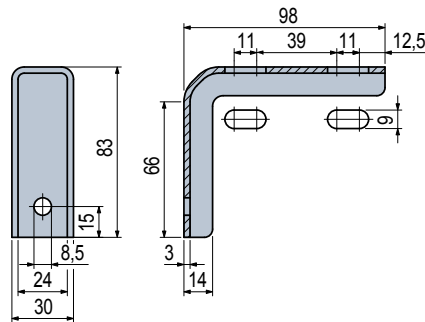
Code	Weight kg
<b>684872</b>	0,23

- Material: austenitic stainless steel.
- Packaging: 16 pieces.

Part. **S0699**



■ Bracket



Code	Weight kg
<b>687252</b>	0,17

- Material: austenitic stainless steel.
- Packaging: 16 pieces.

Part. **S0718**



- Best Seller
- Standard
- On request: minimum quantity may apply. Consult our Customer Service for availability.

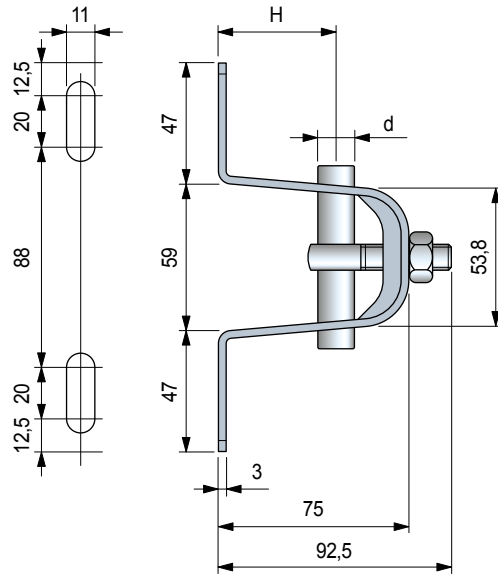
Item code for order = Part. + Code

Part. **S0692**

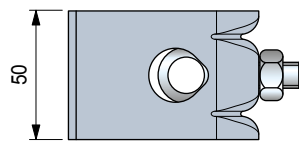
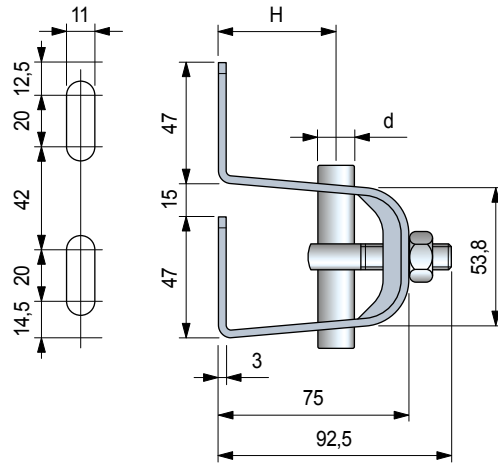


Bracket

Standard version



Compact version



Pin dia. d mm	H mm	Code		Weight kg
		Standard version	Compact version	
14	47	<b>642713N</b>	<b>643263N</b>	0,33
15	46	<b>686272N</b>	<b>684622N</b>	
16	46	<b>686282N</b>	<b>684632N</b>	
18	44	<b>686292N</b>	<b>684642N</b>	
20	42	<b>686302N</b>	<b>684652N</b>	

- Material: bracket and bolt in austenitic stainless steel.
- Max recommended tightening torque: 2 Kgm.
- Packaging: 8 pieces.

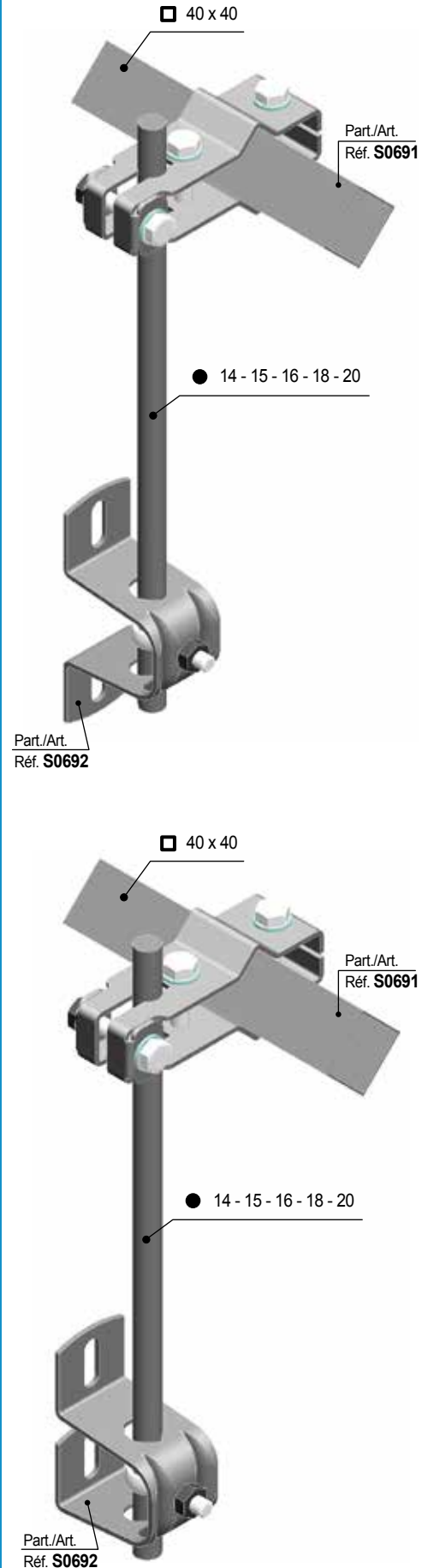
● Best Seller

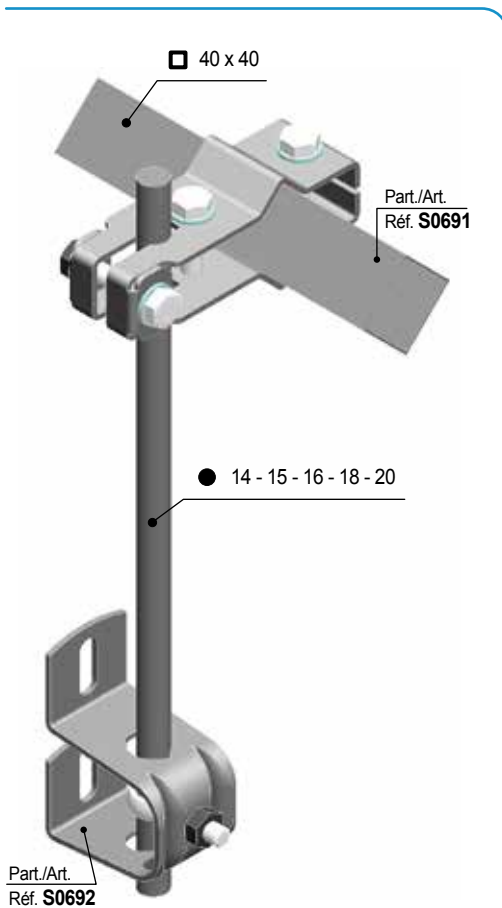
● Standard

● On request: minimum quantity may apply. Consult our Customer Service for availability.

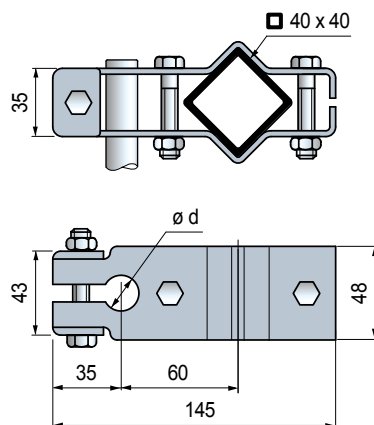
Item code for order = Part. + Code

• Use of Part. S0692





## ■ Cross clamp

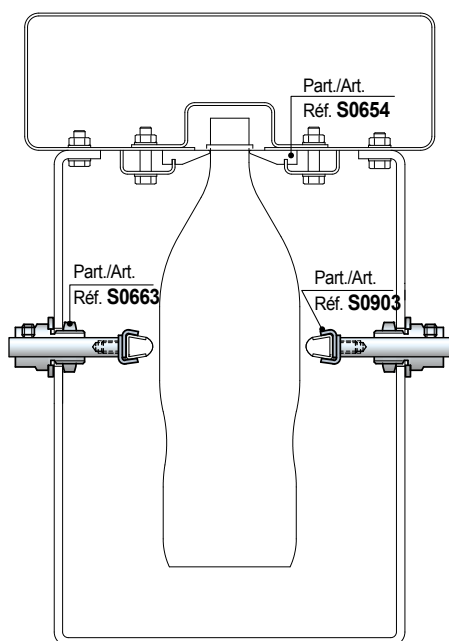


## Part. S0691

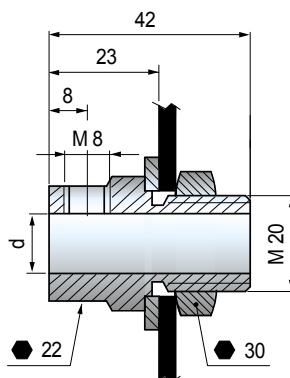
Square tube mm	Pin dia. d mm	Code	Weight kg
40 x 40	20	684612	0,52

- Material: clamp and bolt in austenitic stainless steel.
- Packaging: 8 pieces.

## • Use of Part. S0663



## ■ Locking clamp for round steel rod



Pin dia. d mm	Code	Weight kg
12	669572	0,13

- Material: clamp in austenitic stainless steel. Nut and washer in austenitic stainless steel.
- Packaging: 50 pieces.

## Part. S0663



- Best Seller
- Standard
- On request: minimum quantity may apply. Consult our Customer Service for availability.

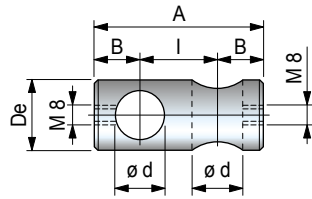
Item code for order = Part. + Code

Part. **S0661**

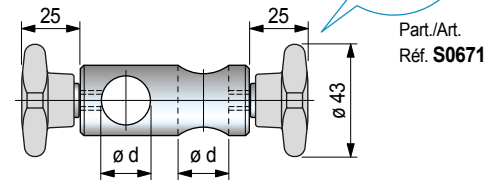


■ Cross clamp

Version without knobs



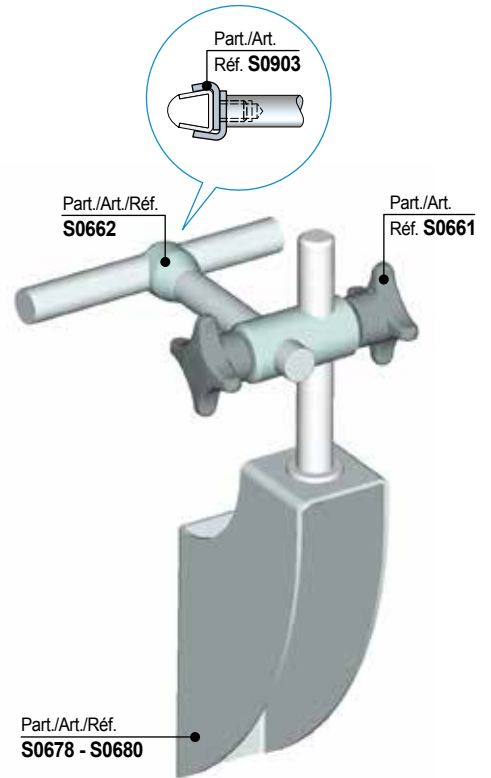
Version with knobs



Pin dia. d mm	Code		I mm	A mm	B mm	ø De mm
	Without knobs	With knobs				
10	669112	675712	14	36	11	18
12	669122	675722	16	40	12	20
(1/2")	686022	683802	16	40	12	20
14	669132	675732	18	44	13	20
16	669142	675742	20	48	14	24
18	669152	675752	22	52	15	26
20	669162	675762	24	56	16	28

- Material: clamp in austenitic stainless steel.  
Knob in reinforced polypropylene PP FV (grey).  
Threaded insert in austenitic stainless steel.
- Max recommended tightening torque: 1 Kgm (with knob)  
2 Kgm (with screw).
- Packaging: 24 pieces.

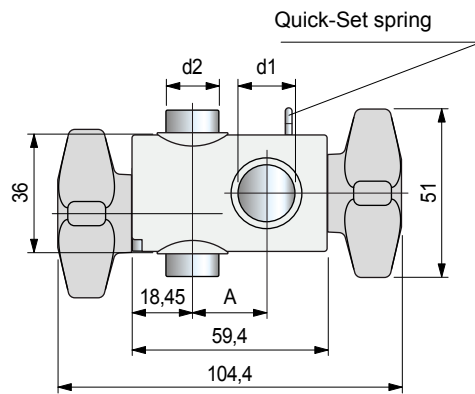
• Use of Part. S0661



Part. **S0732**



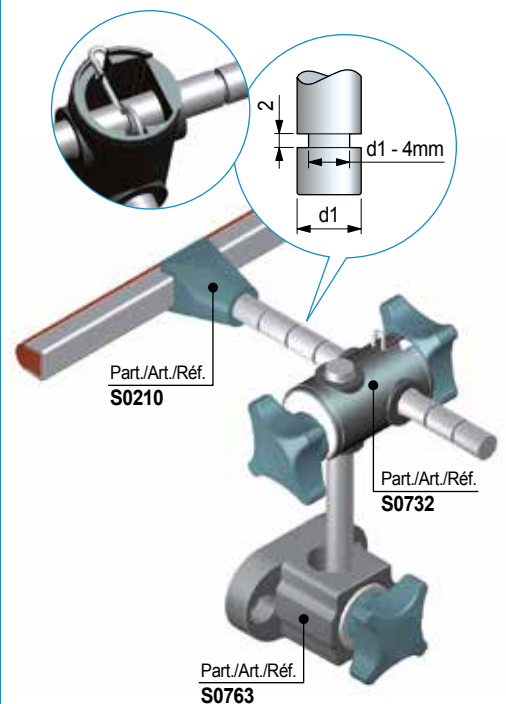
■ Cross clamp with Quick-Set



Pin dia. d1 with spring mm	Pin dia. d2 mm	A	Code		Weight kg
			inch	inch	
12	12	24,1	692352N		0,18
12	16	24,1	692362N		
16	12	22	638703N		
16	16	22	692372N		

- Quick-Set spring on one of the two rods.
- Material: clamp and knobs in reinforced polyamide PA FV (black).  
Eyebolts in austenitic stainless steel.
- Max recommended tightening torque: 2 Kgm.
- Packaging: 50 pieces.

• Use of Part. S0732



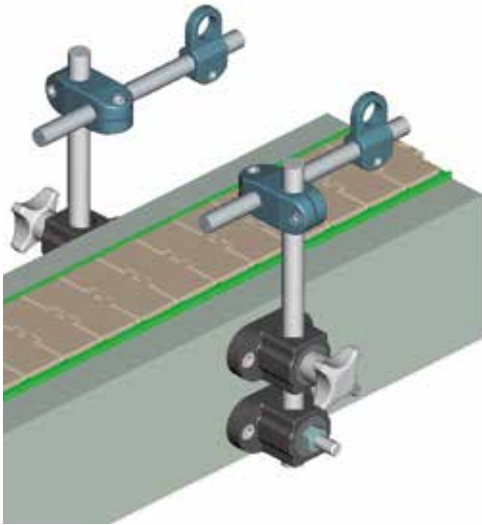
● Best Seller

● Standard

● On request: minimum quantity may apply.  
Consult our Customer Service for availability.

Item code for order = Part. + Code

- **T - clamp** Part. S0763  
Available with nut or tightening knob.



- Can be used in combination with cross clamps Part. S0661 and S0732

Part./Art./Réf. **S0661**

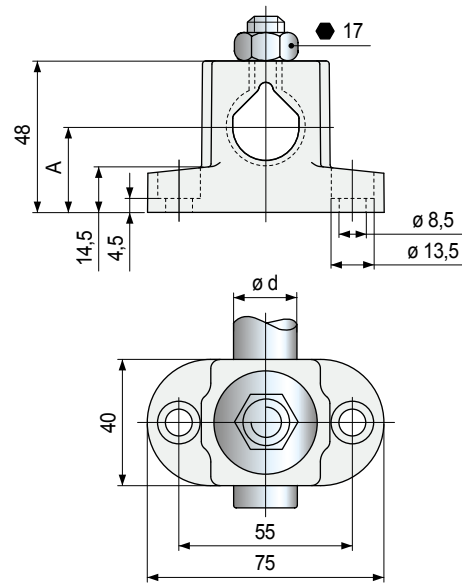


Part./Art./Réf. **S0732**

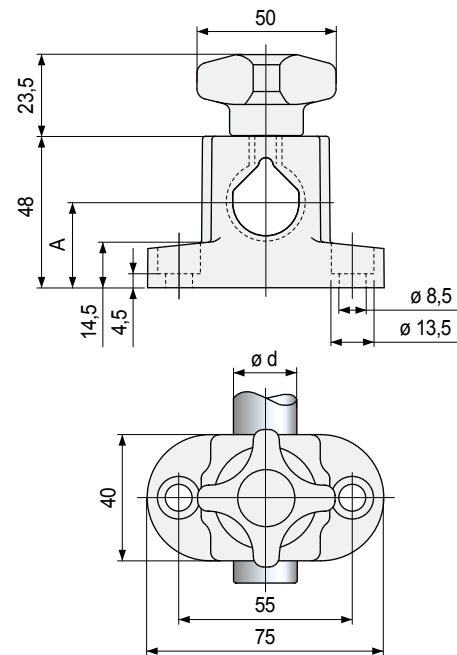


## T - clamp with eyebolt

With nut



With knob



## Part. **S0763**



Version	Rod dia.		Code	Weight kg
	d mm	A mm		
with nut	12	32,7	610093	0,09
	14	31,2	610103	
	16	29,8	610113	
	18	28,4	610183	
	20	27	610123	
with knob	12	32,7	610593	0,12
	14	31,2	610603	
	16	29,8	610613	
	18	28,4	610623	
	20	27	610633	

- Material: clamp and knob in reinforced polyamide PA FV (black). Threaded insert in nickel plated brass, nut, washer and eyebolt in austenitic stainless steel.
- Max recommended tightening torque: 4 Kgm.
- Packaging: 25 pieces.

● Best Seller

● Standard

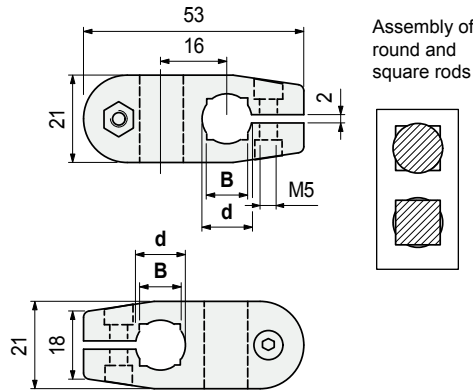
● On request: minimum quantity may apply. Consult our Customer Service for availability.

Item code for order = Part. + Code

Part. **S0340**



■ Cross clamp



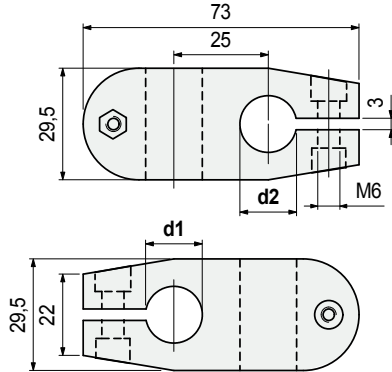
Tightening bolt material	Rod dia. d mm	Square rod B mm	Code	Weight kg
Austenitic stainless steel	10	8	68373	0,02
	12	10	68385	
	14	12	67375	
Zinc plated steel	10	8	627031	0,02
	12	10	627041	
	14	12	627051	

- Material: clamp in reinforced polyamide PA FV (black).
- Max. recommended tightening torque: 0,5 Kgm.
- Packaging: 50 pieces.

Part. **S0174**  
Part. **S0174R**



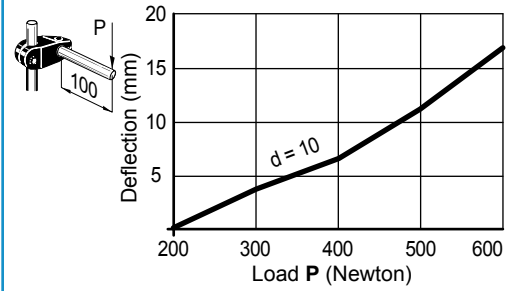
■ Cross clamp



Material	Rod dia. d1 mm	Rod dia. d2 mm	Code	Weight kg
Reinforced polyamide PA FV (black)		14	S017457941	0,07
		15	S017459291	
		16	S017459301	
		18	S017459311	
		15	S017453791	
		16	S017459321	
		18	S017459331	
		16	S017453781	
		18	S017459341	
		18	S017453771	
Reinforced polyamide PA FV special (black)	20	20	S0174652452	
Reinforced polyamide PA FV special (black)	15	15	S0174R6188700	0,07
Reinforced polyamide PA FV special (black)	18	18	S0174R6499700	

- Material: tightening bolt in austenitic stainless steel.
- Max recommended tightening torque: 1 Kgm (Part. S0174); 1,5 Kgm (Part. S0174R).
- Packaging: 50 pieces.

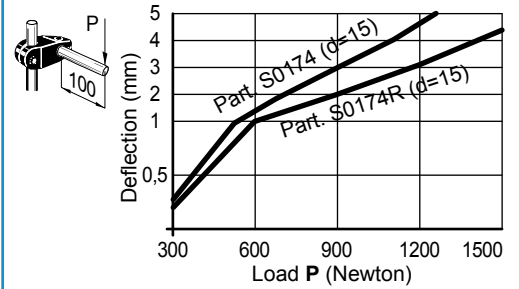
• Deflection of Part. S0340



• Technical data Part. S0340

- sliding load: 1200 N
- rotation load: 5 N/m
- Tests performed at tightening torque: 0,5 Kgm

• Deflection of Part. S0174 - S0174R



• Technical data Part. S0174

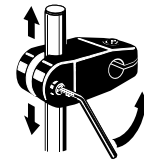
- sliding load: 2500 N (with d = 14 - 15 - 16)  
2800 N (with d = 18)
- rotation load: 13 N/m
- Tests performed at tightening torque: 1 Kgm

• Technical data Part. S0174R

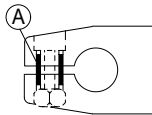
- sliding load: 3500 N
- rotation load: 25 N/m
- Tests performed at tightening torque: 1,5 Kgm

• Characteristics Part. S0174R

It differs from Part. S0174 in the use of a special material and a stiffening bush (spacer).

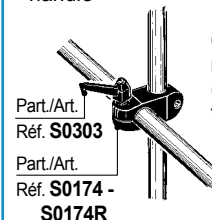


The increased elasticity of the material permits, once the bolts are untightened, the clamp to slide easily over the rod. Especially suitable for applications with frequent adjustment.



The spacers A (nickel plated brass) prevent breakage of clamp when bolts are tightened higher than max. recommended values. The resulting loads are absorbed by the spacers and not the body.

• Assembly of Part. S0174 - S0174R with ratchet handle



Part./Art. Réf. **S0303**

Part./Art. Réf. **S0174 - S0174R**

Can be applied with the ratchet handle Part. S0303 (code 60922), instead of the standard hardware.

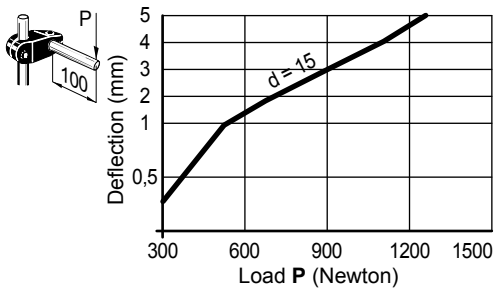
● Best Seller

● Standard

● On request: minimum quantity may apply. Consult our Customer Service for availability.

Item code for order = Part. + Code

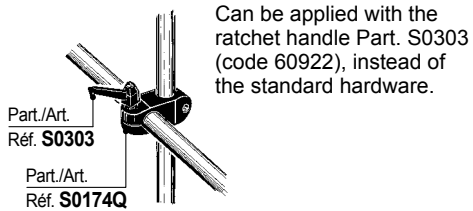
## • Deflection of Part. S0174Q



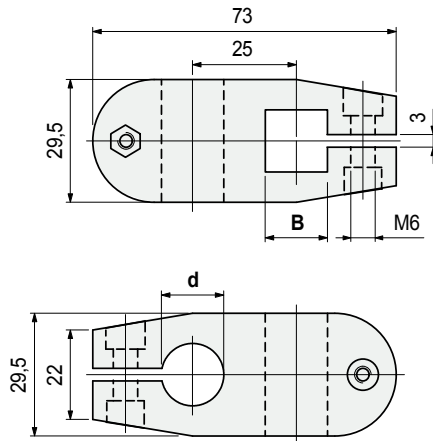
## • Technical data Part. S0174Q

- sliding load: 2500 N (with d = 14 - 15 - 16)  
2800 N (with d = 18)
- rotation load: 13 N/m
- Tests performed at tightening torque: 1 Kgm

## • Assembly of Part. S0174Q with ratchet handle



## ■ Cross clamp



Square rod B mm	Rod dia. d mm	Code	Weight kg
12	14	59351	0,07
	15	59361	
	16	59371	
	18	59381	

- Material: clamp in reinforced polyamide PA FV (black), tightening bolt in austenitic stainless steel, nuts in nickel plated brass.
- Max recommended tightening torque: 1 Kgm.
- Packaging: 50 pieces.

## Part. S0174Q



- Best Seller
- Standard
- On request: minimum quantity may apply. Consult our Customer Service for availability.

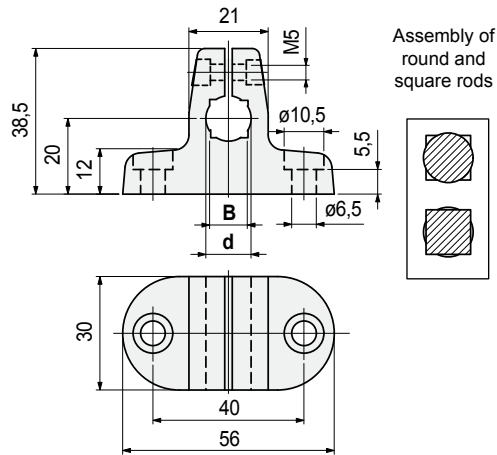
Item code for order = Part. + Code



## Part. S0339



### T-clamp



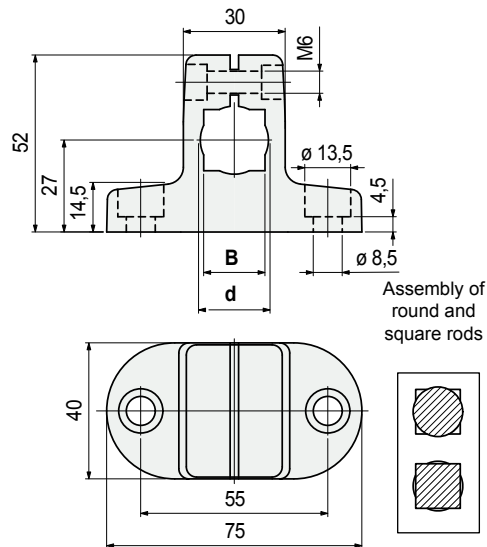
Tightening bolt material	Rod dia. d mm	Square rod B mm	Code	Weight kg
Austenitic stainless steel	10	8	68363	0,03
	12	10	68375	
	14	12	67365	
Zinc plated steel	10	8	626001	
	12	10	627011	
	14	12	627021	

- Material: clamp in reinforced polyamide PA FV (black).
- Max. recommended tightening torque: 0,5 Kgm.
- Packaging: 50 pieces.

## Part. S0595



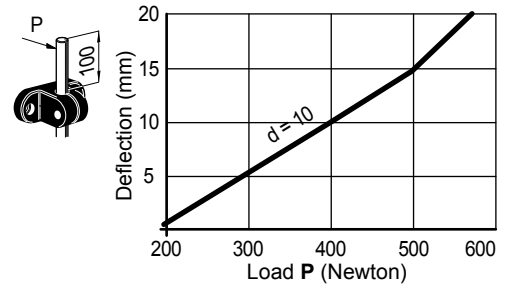
### T-clamp



Tightening bolt material	Rod dia. d mm	Square rod B mm	Code	Weight kg
Austenitic stainless steel	16	14	610432	0,07
	18	16	610442	
	20	18	610452	
Zinc plated steel	16	14	610462	
	18	16	610472	
	20	18	610482	

- Material: clamp in reinforced polyamide PA FV (black).
- Max recommended tightening torque: 1,5 Kgm.
- Packaging: 50 pieces.

### Deflection of Part. S0339

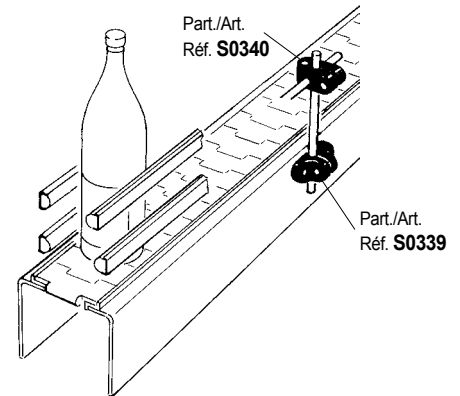


### Technical data Part. S0339

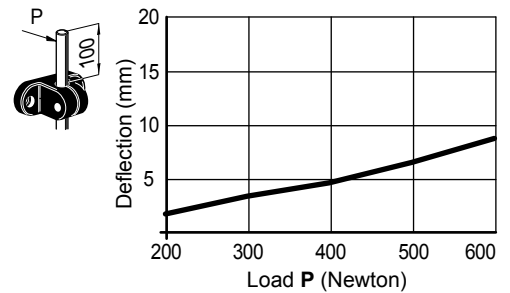
- sliding load: 650 N
- rotation load: 5 N/m
- Tests performed at tightening torque: 0,5 Kgm

### Assembly of Part. S0339

Can be used in combination with Part. S0340



### Deflection of Part. S0595

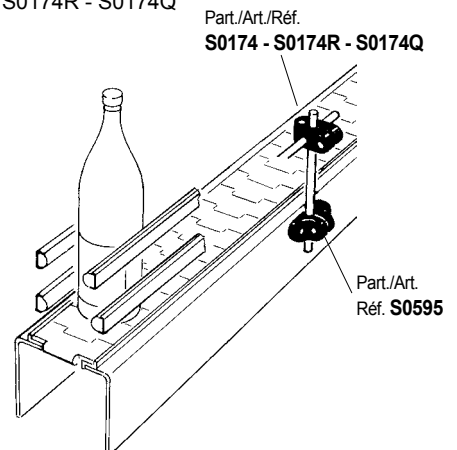


### Technical data Part. S0595

- sliding load: 600 N (with d = 16)
- 500 N (with d = 18 - 20)
- Tests performed at tightening torque: 1,5 Kgm

### Assembly of Part. S0595

Can be used in combination with Part. S0174 - S0174R - S0174Q



● Best Seller

● Standard

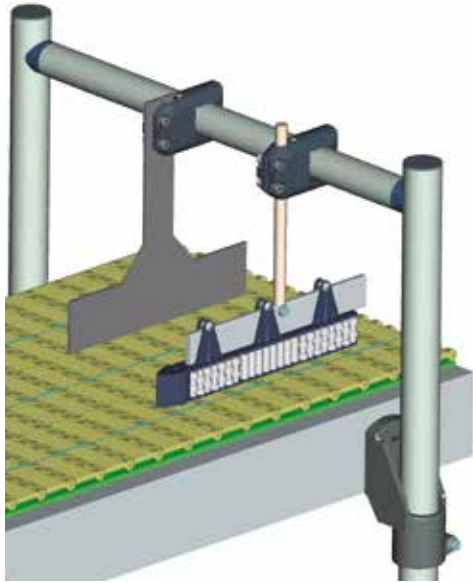
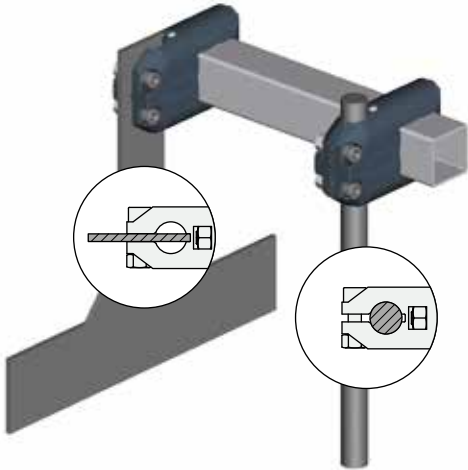
● On request: minimum quantity may apply. Consult our Customer Service for availability.

Item code for order = Part. + Code

### • Characteristics of Part. S0786

Are indicated for end-line applications, to support centre guide or dividers, to separate and align containers before packing area.

### • Use of Part. S0786 (for square and round tubes)

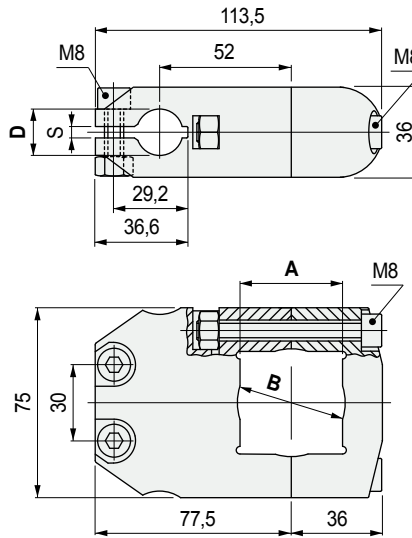


### • Use of Part. S0786 (for square and round tubes)



Ratchet handle  
spare part code  
S0303622433

### ■ Cross clamp

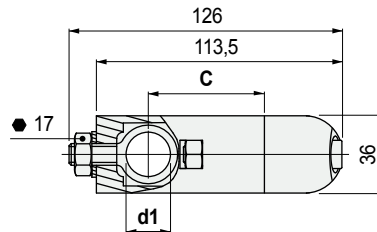


Square tube A mm	Round tube B mm	Round rod D mm	Plate S mm	Code	Weight kg
40	42,4	20	4	621783	0,27

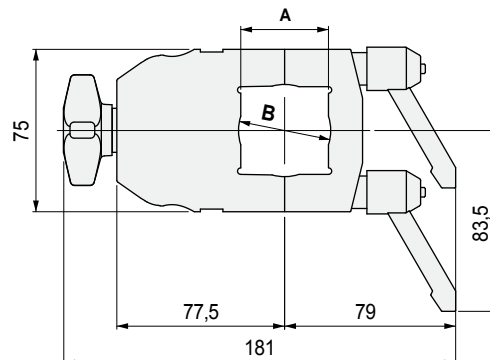
- Material: clamp in reinforced polyamide PA FV (black), tightening screws in austenitic stainless steel, nuts in nickel plated brass.
- Max recommended tightening torque: 2 Kgm.
- Packaging: 25 pieces.

### ■ Cross clamp

#### With nut



#### With knob and ratchet handles



Square tube A mm	Round tube B mm	Rod dia. C mm	Rod dia. d1 mm	Code	Weight kg
40	42,4	55	15-16	618383	0,30
		52	20	618393	0,30

- Material: clamp in reinforced polyamide PA FV (black), tightening screws in austenitic stainless steel.
- Ratchet handle: handle in reinforced polyamide in PA FV (black), spindle in zinc plated steel.
- Max recommended tightening torque: 2 Kgm.
- Packaging: 25 pieces.

## Part. S0786



## Part. S0786



● Best Seller

● Standard

● On request: minimum quantity may apply. Consult our Customer Service for availability.

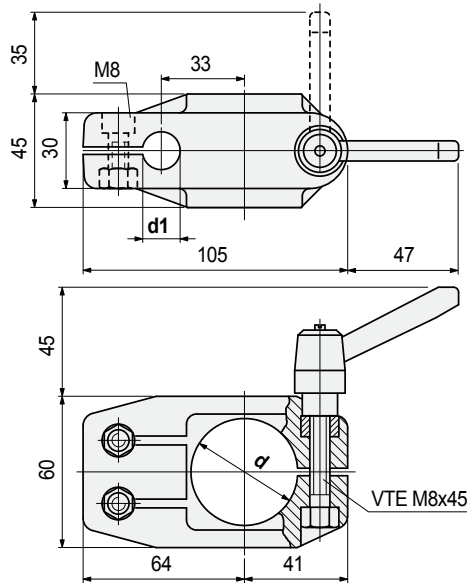
Item code for order = Part. + Code

## Part. S0633



Round bore

### ■ Cross clamp with ratchet handle clamping



Tube dia. d mm	Rod dia. d1 mm	Code	Weight kg
42,4 (1" 1/4)	15	647152	0,23
	20	655402	

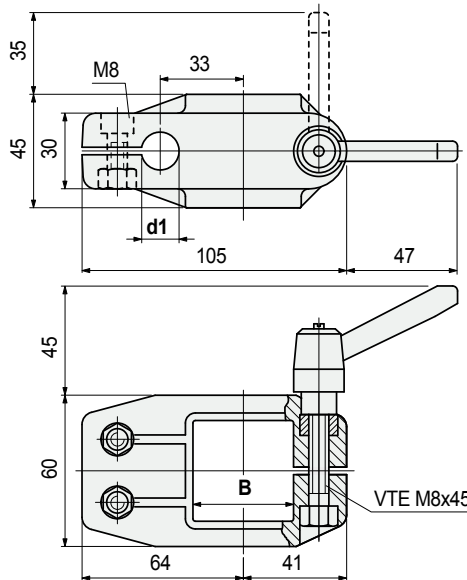
- Material clamp: body in reinforced polyamide PA FV (black), tightening screws in austenitic stainless steel, nuts in nickel plated brass.
- Material handle: body in reinforced polyamide PA FV (black), threaded insert in nickel plated brass.
- Max recommended tightening torque: 1,5 Kgm (handle), 2 Kgm (screws).
- Packaging: 25 pieces.

## Part. S0633



Square bore

### ■ Cross clamp with ratchet handle clamping

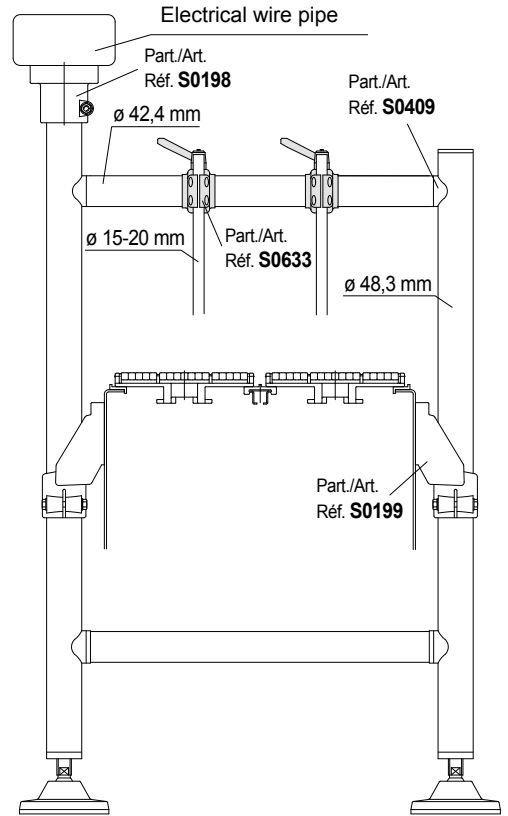


Square tube B mm	Rod dia. d1 mm	Code	Weight kg
40 x 40	15	655412	0,23
	20	647162	

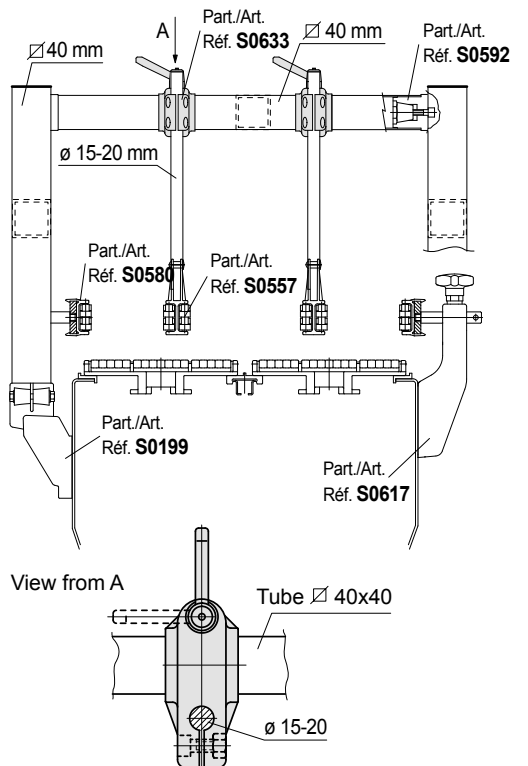
- Material clamp: body in reinforced polyamide PA FV (black), tightening screws in austenitic stainless steel, nuts in nickel plated brass.
- Material handle: body in reinforced polyamide PA FV (black), threaded insert in nickel plated brass.
- Max recommended tightening torque: 1,5 Kgm (handle), 2 Kgm (screws).
- Packaging: 25 pieces.

- **Characteristics of Part. S0633**  
Easy and quick adjustment of guides supported by bridge structure.

- **Use of Part. S0633 (for round tubes)**



- **Use of Part. SS0633 (for square tubes)**



● Best Seller

● Standard

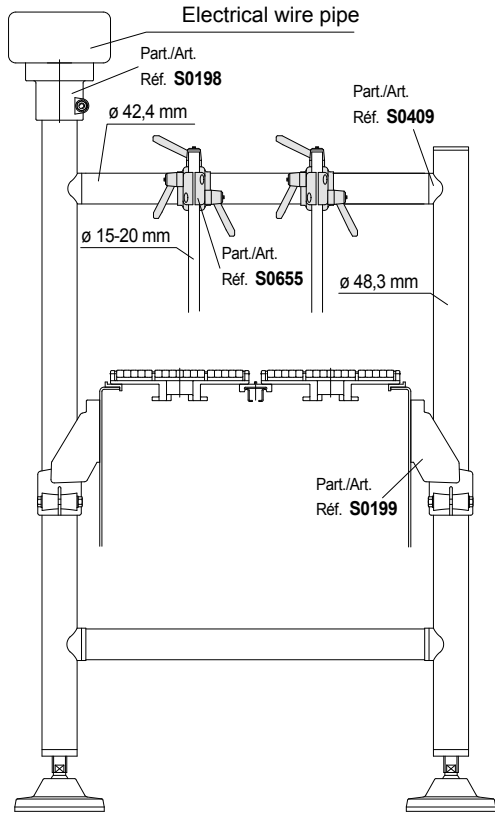
● On request: minimum quantity may apply. Consult our Customer Service for availability.

Item code for order = Part. + Code

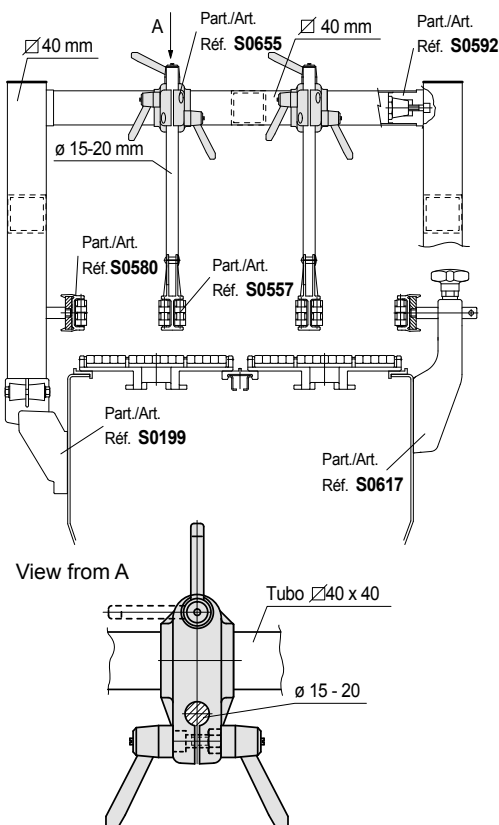
### • Characteristics of Part. S0655

Easy and quick adjustment of guides supported by bridge structure.

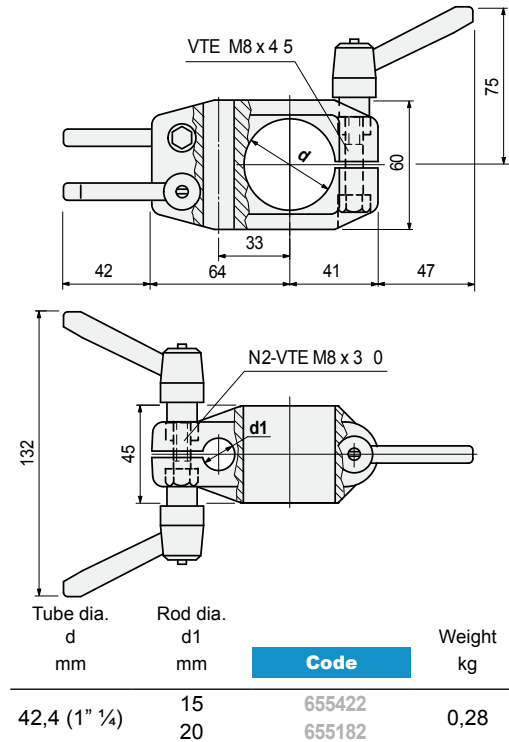
### • Use of Part. S0655 (for round tubes)



### • Use of Part. SS0655 (for square tubes)

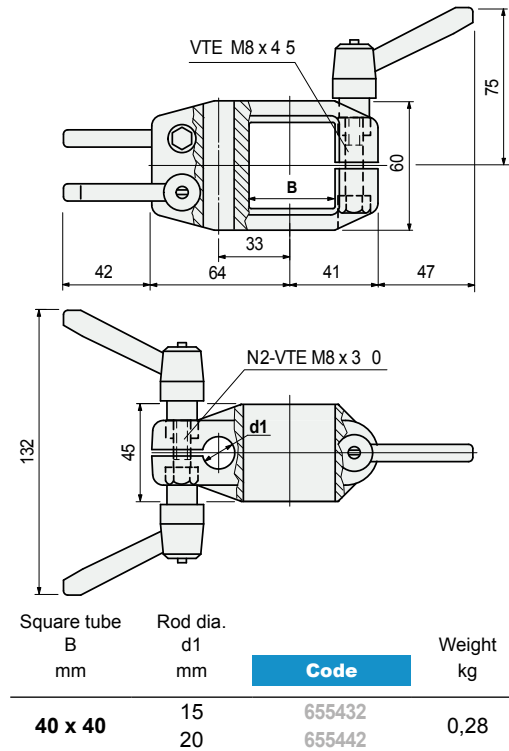


### ■ Cross clamp with ratchet handle clamping



- Material clamp: body in reinforced polyamide PA FV (black), tightening screws in austenitic stainless steel.
- Material handles: body in reinforce polyamide PA FV (black), threaded insert in nickel plated brass.
- Max recommended tightening torque: 1,5 Kgm.
- Packaging: 25 pieces.

### ■ Cross clamp with ratchet handle clamping



- Material clamp: body in reinforced polyamide PA FV (black), tightening screws in austenitic stainless steel.
- Material handles: body in reinforced polyamide PA FV (black), threaded insert in nickel plated brass.
- Max recommended tightening torque: 1,5 Kgm.
- Packaging: 25 pieces.

## Part. S0655



Round bore

## Part. S0655



Square bore

Best Seller

Standard

On request: minimum quantity may apply. Consult our Customer Service for availability.

Item code for order = Part. + Code

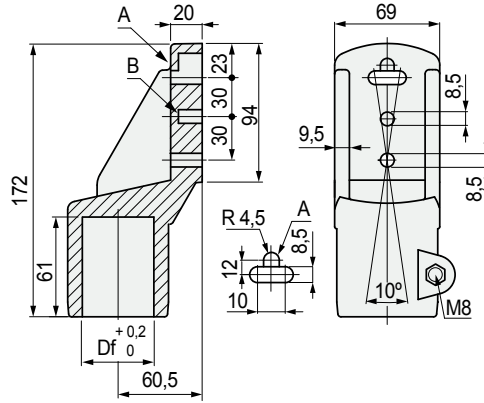
## Part. S0199



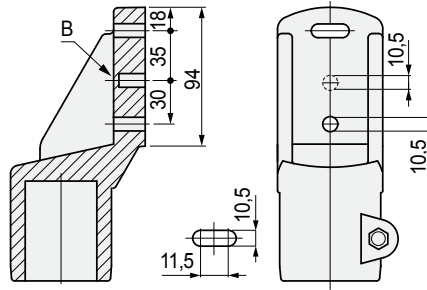
For round and square tubes

### Side mounting top bracket

Version with fixing holes for M8



Version with fixing holes for M10



Tube dimensions mm	Bore Df mm	Bolts material	Code
--------------------	------------	----------------	------

#### Version with fixing holes for M8

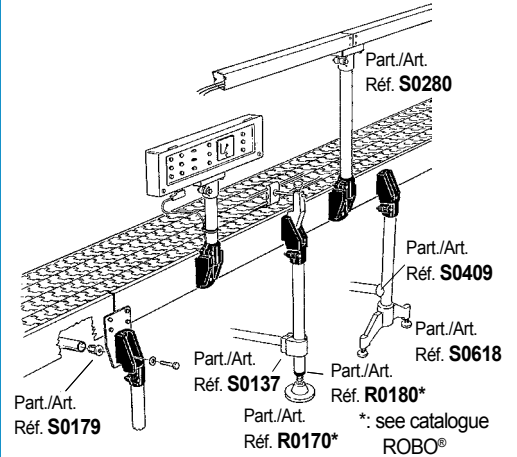
Ø48,3 (1 1/2)	Ø48,3	Austenitic stainless steel	59171
Ø50,8	Ø50,8	Austenitic stainless steel	664771
∅38x38	∅38	Austenitic stainless steel	611622
		Zinc plated steel	611712
∅40x40	∅40	Austenitic stainless steel	611632
		Zinc plated steel	611722

#### Version with fixing holes for M10

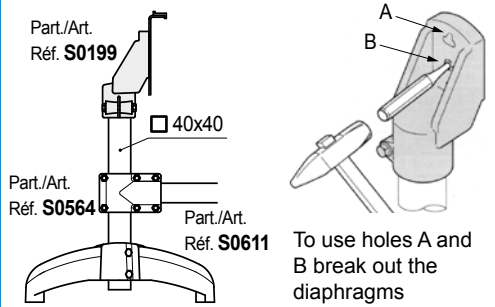
Ø48,3 (1 1/2)	Ø48,3	Austenitic stainless steel	61683
---------------	-------	----------------------------	-------

- Material: reinforced polyamide PA FV (black).
- Weight: 0,32 Kg.
- Max recommended tightening torque: 2 Kgm.
- Packaging: 24 pieces.

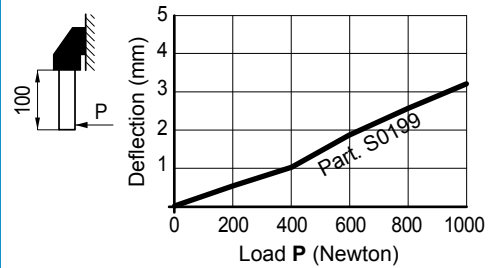
### Assembly of Part. S0199 (with round tubes)



### Assembly of Part. S0199 (with square tubes)



### Deflection of Part. S0199



### Sliding load



### Breaking load



Part. S0199- Ø 48,3 (P = 3600 N)	Part. S0199 (P = 35900 N)
Part. S0199- ∅ 38 (P = 2600 N)	
Part. S0199- ∅ 40 (P = 1900 N)	

Tests performed at tightening torque: 2 Kgm

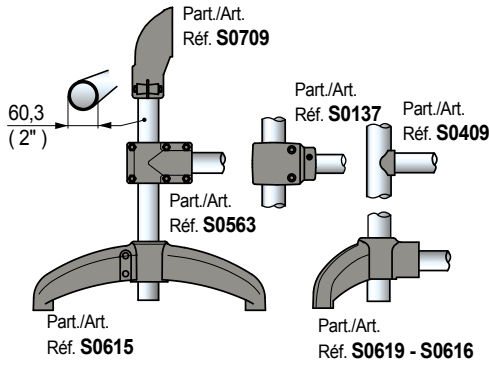
● Best Seller

● Standard

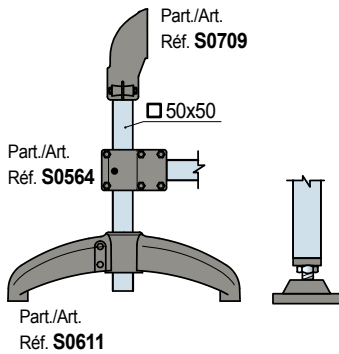
● On request: minimum quantity may apply. Consult our Customer Service for availability.

Item code for order = Part. + Code

• Assembly of Part. S0709 with round tubes Ø 60,3 mm (2").

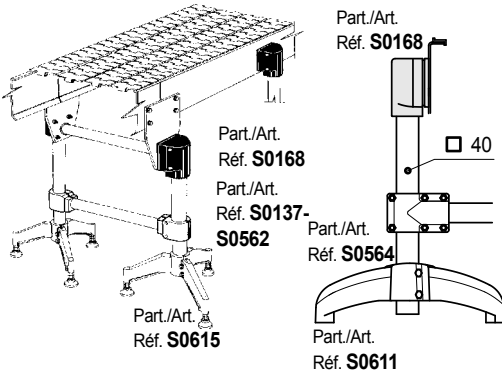


• Assembly of Part. S0709 (with square tubes 50 x 50 mm).

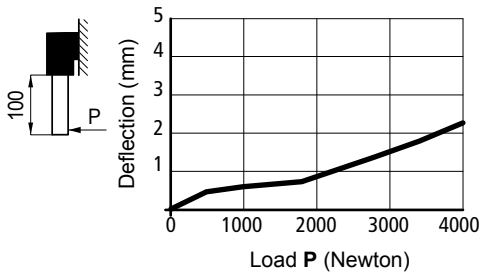


• Assembly of Part. S0168 (with square tubes)

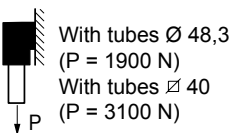
• Assembly of Part. S0168 (with round tubes)



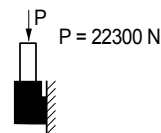
• Deflection of Part. S0168



• Sliding load

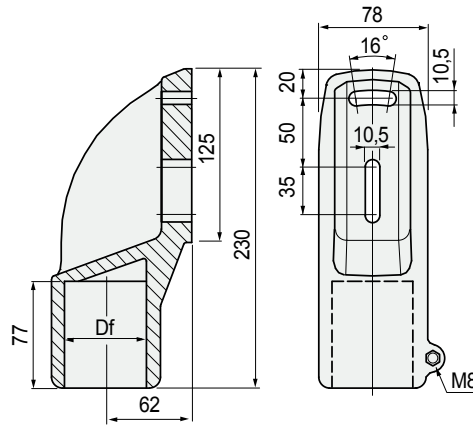


• Breaking load



Tests performed at tightening torque: 2 Kgm

## Side mounting top bracket



Tube dimensions mm	Bore Df mm	Code
Ø 60,3 (2")	Ø 60,3	685322
∅ 50 x 50	∅ 50	685332

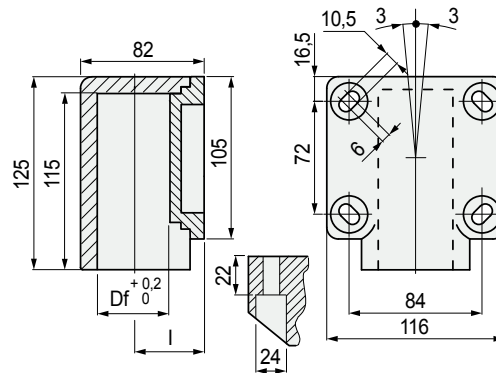
- Material: bracket in reinforced polyamide PA FV (black). Bolts in austenitic stainless steel.
- Weight: 0,75 Kg.
- Max recommended tightening torque: 2 Kgm.
- Packaging: 12 pieces.

## Part. S0709



For round and square tubes

## Side mounting top bracket



Tube dimensions mm	Bore Df mm	l mm	Code
Ø 48,3 (1 1/2)	Ø 48,3	46	50451
∅ 40 x 40	∅ 40	50	611672

- Material: reinforced polyamide PA FV (black).
- Weight: 0,42 Kg.
- Max recommended tightening torque: 2,5 Kgm.
- Packaging: 8 pieces.

## Part. S0168



For round and square tubes

● Best Seller

● Standard

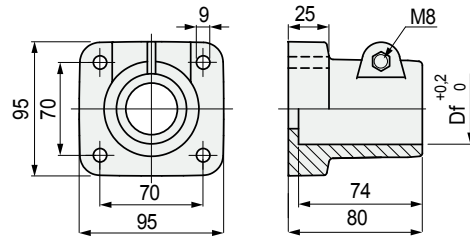
● On request: minimum quantity may apply. Consult our Customer Service for availability.

Item code for order = Part. + Code

Part. **S0198**



■ Bearing head

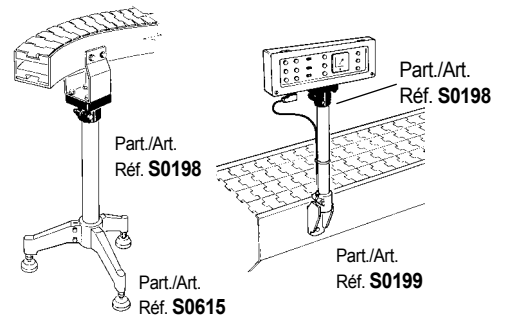


For round and square tubes

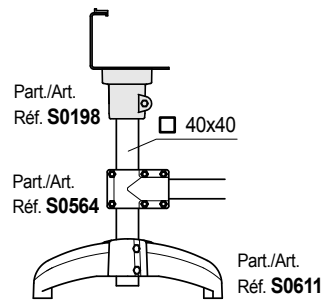
Tube dimensions mm	Bore Df mm	Bolts material	Code
Ø 48,3 (1 1/2)	Ø 48,3	Austenitic stainless steel	<b>59161</b>
Ø 50,8	Ø 50,8	Austenitic stainless steel	<b>664761</b>
∅ 38x38	∅ 38	Austenitic stainless steel	<b>611602</b>
		Zinc plated steel	<b>611682</b>
∅ 40x40	∅ 40	Austenitic stainless steel	<b>611612</b>
		Zinc plated steel	<b>611692</b>

- Material: reinforced polyamide PA FV (black).
- Weight: 0,30 Kg.
- Max recommended tightening torque: 2 Kgm.
- Packaging: 24 pieces.

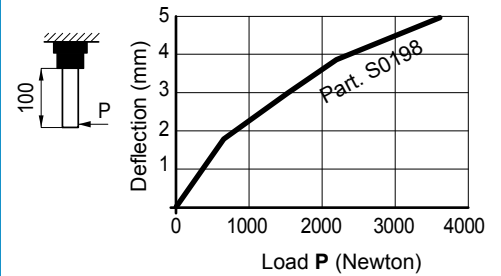
• Assembly of Part. S0198 (with round tubes)



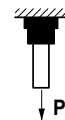
• Assembly of Part. S0198 (with square tubes)



• Deflection of Part. S0198



• Sliding load



- Part. S0198- Ø48,3 (P = 1900 N)
- Part. S0198- ∅ 38 (P = 4400 N)
- Part. S0198- ∅ 40 (P = 2300 N)

Tests performed at tightening torque: 2 Kgm

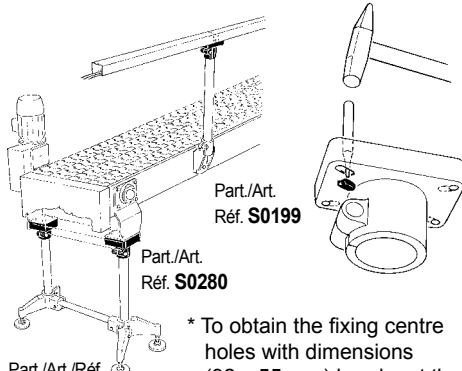
● Best Seller

● Standard

● On request: minimum quantity may apply. Consult our Customer Service for availability.

Item code for order = Part. + Code

## • Assembly of Part. S0280



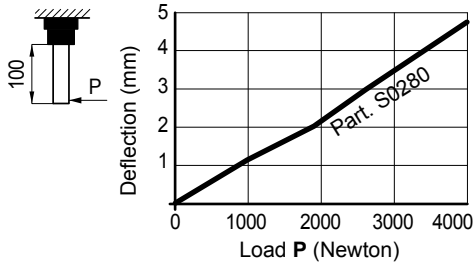
Part./Art.  
Réf. **S0199**

Part./Art.  
Réf. **S0280**

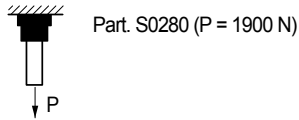
Part./Art./Réf.  
**S0616 - S0619**

\* To obtain the fixing centre holes with dimensions (92 x 55 mm) break out the thickness of diaphragm.

## • Deflection of Part. S0280

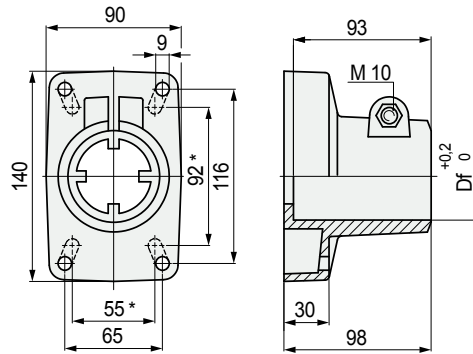


## • Sliding load



Tests performed at tightening torque:  
- 3,5 Kgm (for Part. S0280)

## ■ Bearing head



Tube dimensions mm	Bore Df mm	Code
Ø 48,3 (1 1/2")	48,3	<b>63503</b>
Ø 50,8	50,8	664781
Ø 60,3 (2")	60,3	<b>66781</b>

- Material: head in reinforced polyamide PA FV (black).
- Bolts material: austenitic stainless steel.
- Weight: 0,40 Kg.
- Max recommended tightening torque: 3,5 Kgm.
- Packaging: 8 pieces.

## Part. **S0280**



For round tubes

- Best Seller
- Standard
- On request: minimum quantity may apply. Consult our Customer Service for availability.

Item code for order = Part. + Code

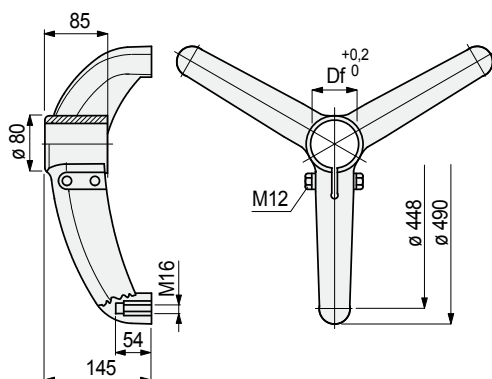


Part. **S0615**

Support base (tripod)



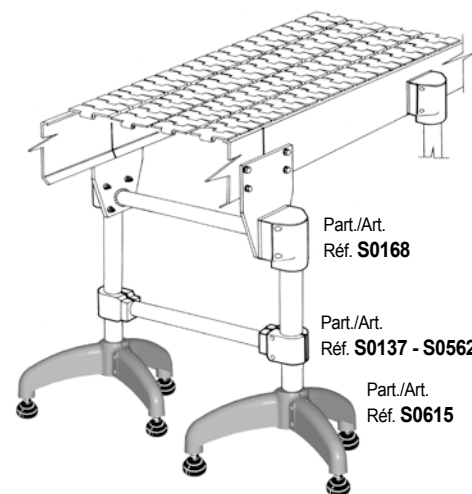
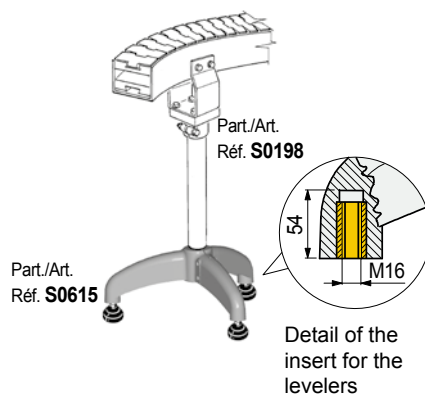
For round tubes



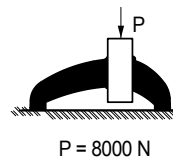
Tube dimensions mm	Bore dia. Df mm	Code
<b>Bolts in austenitic stainless steel</b>		
38,1	38,1	<b>624242</b>
42,4 (1 1/4)	42,4	<b>624252</b>
48,3 (1 1/2)	48,3	<b>624262</b>
50,8	50,8	<b>624272</b>
60,3 (2")	60,3	<b>621522</b>
<b>Bolts in zinc plated steel</b>		
38,1	38,1	638742
42,4 (1 1/4)	42,4	638752
48,3 (1 1/2)	48,3	638762
50,8	50,8	638772
<b>60,3 (2")</b>	60,3	<b>638782</b>

- Material: support base in reinforced polyamide PA FV (black), brass threaded bushings.
- Weight: 1,45 Kg.
- Max recommended tightening torque: 3,6 Kgm.
- Packaging: 8 pieces.

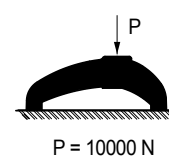
Assembly of Part. S0615



Sliding load

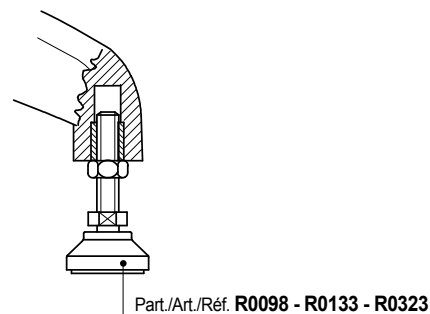


Max applicable load



Tests performed at tightening torque: 3,6 Kgm

Types of levelers that can be used



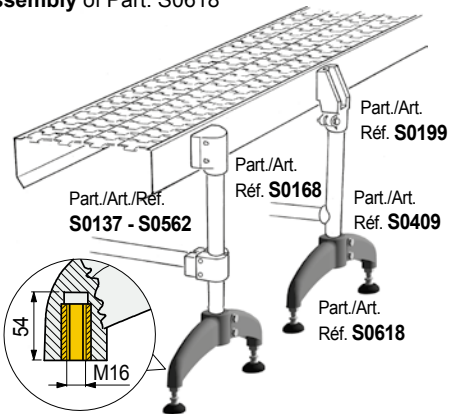
Best Seller

Standard

On request: minimum quantity may apply. Consult our Customer Service for availability.

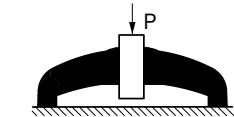
Item code for order = Part. + Code

## • Assembly of Part. S0618



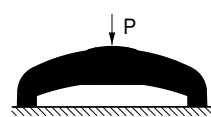
Detail of the insert for the levelers.

## • Sliding load



Part. S0618 (P = 8000 N)  
Part. S0611 (P = 8000 N)

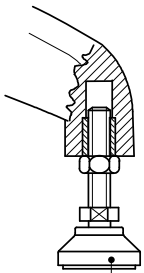
## • Max applicable load



Part. S0618 (P = 9600 N)  
Part. S0611 (P = 8000 N)

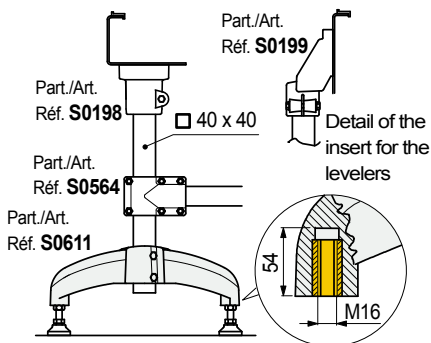
Tests performed at tightening torque:  
3,6 Kgm (Part. S0618), 2,5 Kgm (Part. S0611)

## • Types of levelers that can be used



Part./Art./Réf. R0098 - R0133 - R0323

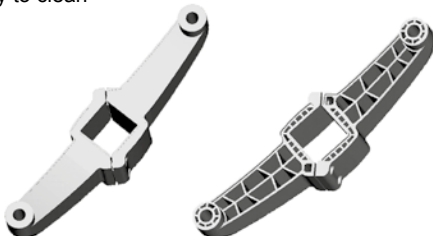
## • Assembly of Part. S0611



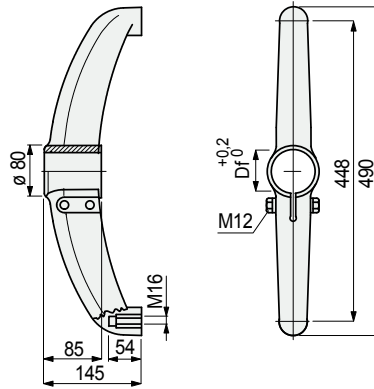
## • Part. S0611 available versions

**Closed version**  
Easy to clean

**Open version**  
load



## ■ Support base (bipod)



Tube dimensions  
mm

Bore dia.  
Df  
mm

**Code**

### Bolts in austenitic stainless steel

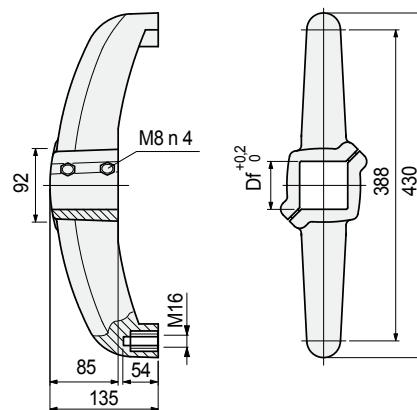
38,1	38,1	624282
42,4 (1"¼)	42,4	624292
48,3 (1"½)	48,3	624302
50,8	50,8	624312
60,3 (2")	60,3	624322

### Bolts in zinc plated steel

38,1	38,1	638792
42,4 (1"¼)	42,4	638802
48,3 (1"½)	48,3	638812
50,8	50,8	638822
60,3 (2")	60,3	638832

- Material: support base in reinforced polyamide PA FV (black), brass threaded bushings.
- Weight: 1,05 Kg.
- Max recommended tightening torque: 3,6 Kgm.
- Packaging: 12 pieces.

## ■ Support base (bipod)



Tube dimensions  
mm

Bore  
Df  
mm

**Code**

Closed version  
Open version

∅ 40 x 40	∅ 40	615542	616082
∅ 50 x 50	∅ 50	615552	616092
∅ 60 x 60	∅ 60	615562	616102

- Material: support base in reinforced polyamide PA FV (black), bolts in austenitic stainless steel, tightening bushes in nickel plated brass, brass threaded bushings.
- Max recommended tightening torque: 2,5 Kgm.
- Weight: 0,9 Kg.
- Packaging: 10 pieces (20 half bases).

## Part. S0618



For round tubes

## Part. S0611



For square tubes

● Best Seller

● Standard

● On request: minimum quantity may apply. Consult our Customer Service for availability.

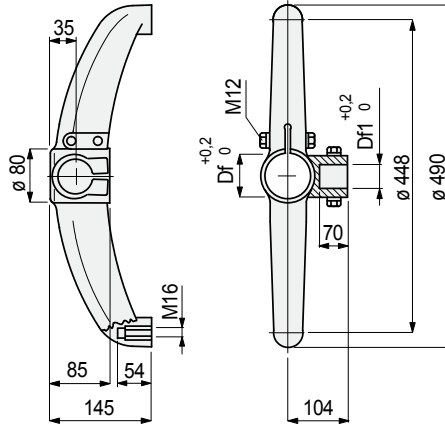
Item code for order = Part. + Code

Part. **S0619**

Support base (bipod)



For round tubes



Vertical tube dia. mm	Horizontal tube dia. mm	Bore dia. Df mm	Bore dia. Df1 mm	Code
-----------------------	-------------------------	-----------------	------------------	------

**Bolts in austenitic stainless steel**

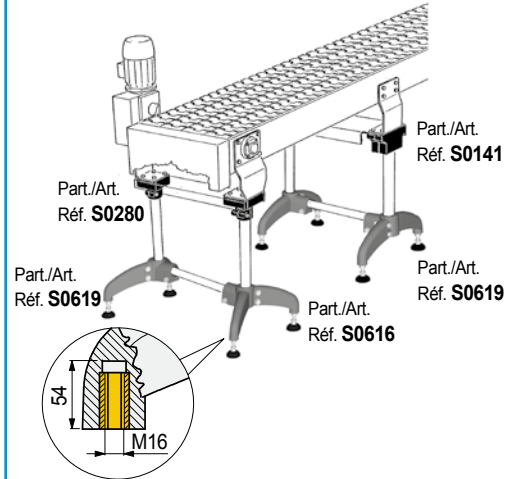
42,4 (1 1/4)	42,4 (1 1/4)	42,4	42,4	624352
48,3 (1 1/2)	42,4 (1 1/4)	48,3	42,4	624372
48,3 (1 1/2)	48,3 (1 1/2)	48,3	48,3	692052
50,8	42,4 (1 1/4)	50,8	42,4	624402
60,3 (2")	42,4 (1 1/4)	60,3	42,4	624432

**Bolts in zinc plated steel**

42,4 (1 1/4)	42,4 (1 1/4)	42,4	42,4	638842
48,3 (1 1/2)	42,4 (1 1/4)	48,3	42,4	638852
48,3 (1 1/2)	48,3 (1 1/2)	48,3	48,3	600213
50,8	42,4 (1 1/4)	50,8	42,4	638862
60,3 (2")	42,4 (1 1/4)	60,3	42,4	638872

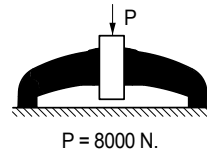
- Material: support base in reinforced polyamide PA FV (black), brass threaded bushings.
- Weight: 1,05 Kg.
- Max recommended tightening torque: 3,6 Kgm.
- Packaging: 12 pieces.

Assembly of Part. S0619

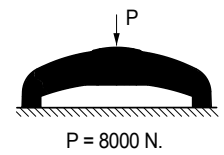


Detail of the insert for the levelers.

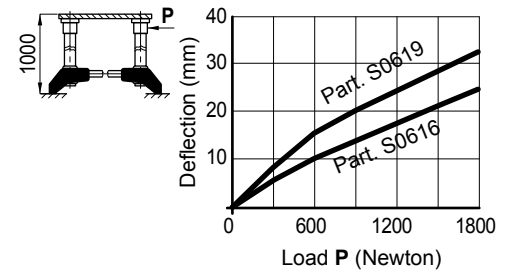
Sliding load



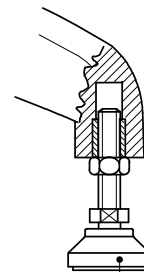
Max applicable load



Deflection



Types of levelers that can be used



Part./Art./Réf. R0098 - R0133 - R0323

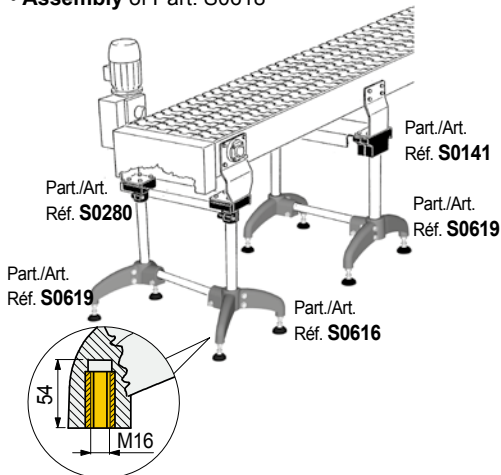
Best Seller

Standard

On request: minimum quantity may apply. Consult our Customer Service for availability.

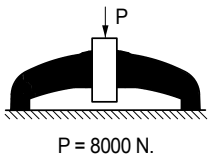
Item code for order = Part. + Code

## • Assembly of Part. S0618

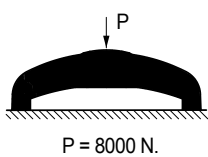


Detail of the insert for the levels.

## • Sliding load

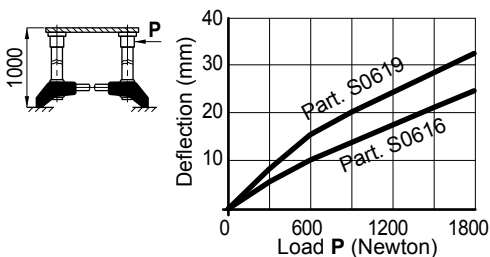


## • Max applicable load



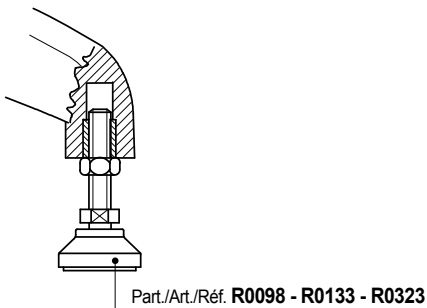
## • Deflection

Part. S0616 offers a better rigidity than Part. S0619

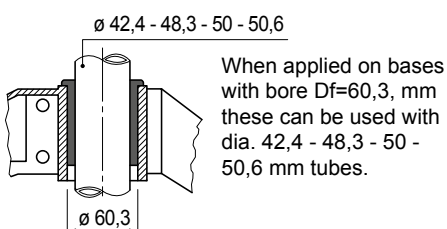


Tests performed at tightening torque: 3,6 Kgm

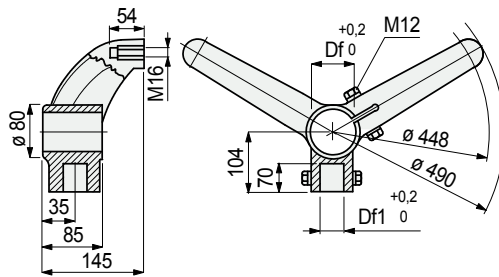
## • Types of levels that can be used



## • Assembly of Part. S0124



## ■ Support base (bipod)



Vertical tube dia. mm	Horizontal tube dia. mm	Bore dia. Df mm	Bore dia. Df1 mm	Code
-----------------------	-------------------------	-----------------	------------------	------

### Bolts in austenitic stainless steel

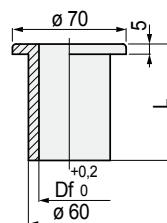
42,4 (1 <sup>3</sup> / <sub>4</sub> )	42,4 (1 <sup>3</sup> / <sub>4</sub> )	42,4	42,4	624472
48,3 (1 <sup>1</sup> / <sub>2</sub> )	42,4 (1 <sup>3</sup> / <sub>4</sub> )	48,3	42,4	624492
48,3 (1 <sup>1</sup> / <sub>2</sub> )	48,3 (1 <sup>1</sup> / <sub>2</sub> )	48,3	48,3	611203
50,8	42,4 (1 <sup>3</sup> / <sub>4</sub> )	50,8	42,4	624522
60,3 (2 <sup>1</sup> / <sub>2</sub> )	42,4 (1 <sup>3</sup> / <sub>4</sub> )	60,3	42,4	624552

### Bolts in zinc plated steel

42,4 (1 <sup>3</sup> / <sub>4</sub> )	42,4 (1 <sup>3</sup> / <sub>4</sub> )	42,4	42,4	638882
48,3 (1 <sup>1</sup> / <sub>2</sub> )	42,4 (1 <sup>3</sup> / <sub>4</sub> )	48,3	42,4	638892
48,3 (1 <sup>1</sup> / <sub>2</sub> )	48,3 (1 <sup>1</sup> / <sub>2</sub> )	48,3	48,3	611213
50,8	42,4 (1 <sup>3</sup> / <sub>4</sub> )	50,8	42,4	638902
60,3 (2 <sup>1</sup> / <sub>2</sub> )	42,4 (1 <sup>3</sup> / <sub>4</sub> )	60,3	42,4	638912

- Material: support base in reinforced polyamide PA FV (black), brass threaded bushings.
- Weight: 1,05 Kg.
- Max recommended tightening torque: 3,6 Kgm.
- Packaging: 12 pieces.

## ■ Reduction bushing



Tube dia. mm	Bore dia. Df mm	L mm	Code	Weight kg
42,4 (1 <sup>3</sup> / <sub>4</sub> )	42,4	85	61980	
48,3 (1 <sup>1</sup> / <sub>2</sub> )	48,3	50	692711	
		85	61970	0,10
50	50	85	51361	
50,6	50,6	85	61770	

- Material: polyamide PA (black).
- Packaging: 10 pieces.

## Part. S0616



For round tubes

## Part. S0124



● Best Seller

● Standard

● On request: minimum quantity may apply. Consult our Customer Service for availability.

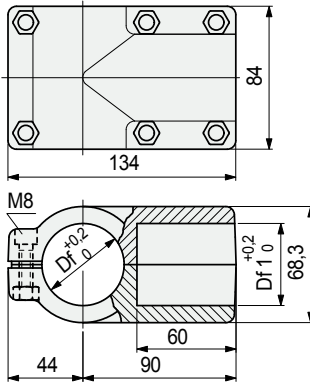
Item code for order = Part. + Code

Part. **S0562**



For round tubes

■ Connecting Joints



Vertical tube dia. mm	Horizontal tube dia. mm	Bore dia. Df mm	Bore dia. Df1 mm	Code
33,7 (1")	33,7 (1")	33,7	33,7	697831
38,1	33,7 (1")	38,1	33,7	605852
	38,1	38,1	38,1	697841
42,4 (1 1/4)	33,7 (1")	42,4	33,7	607092
	38,1	42,4	38,1	637353
48,3 (1 1/2)	42,4	42,4	42,4	637343
	33,7 (1")	48,3	33,7	605862
	38,1	48,3	38,1	697851
	42,4 (1 1/4)	48,3	42,4	607102
	48,3 (1 1/2)	48,3	48,3	697861

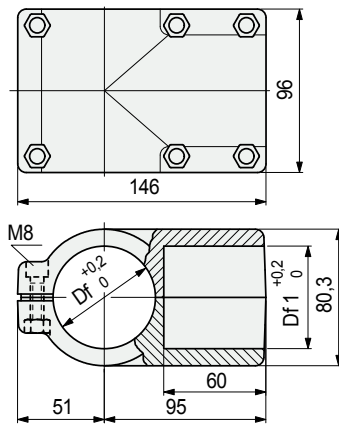
- Material: joint in reinforced polyamide PA FV (black). Tightening screws in austenitic stainless steel, nuts in nickel plated brass.
- Weight: 0,4 Kg.
- Max recommended tightening torque: 1,5 Kgm.
- Packaging: 8 pieces.

Part. **S0563**



For round tubes

■ Connecting Joints

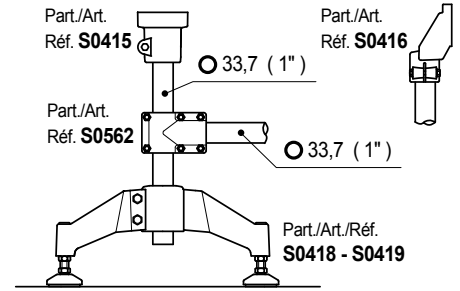


Vertical tube dia. mm	Horizontal tube dia. mm	Bore dia. Df mm	Bore dia. Df1 mm	Code
50,8	33,7 (1")	50,8	33,7	697871
	42,4 (1 1/4)	50,8	42,4	605892
	48,3 (1 1/2)	50,8	48,3	605872
60,3 (2")	50,8	50,8	50,8	669512
	33,7 (1")	60,3	33,7	605882
	42,4 (1 1/4)	60,3	42,4	605562
	48,3 (1 1/2)	60,3	48,3	697881
	60,3 (2")	60,3	60,3	697891

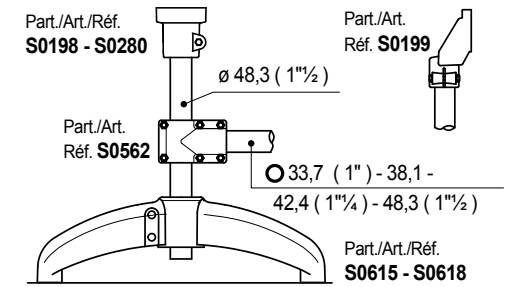
- Material: joint in reinforced polyamide PA FV (black). Tightening screws in austenitic stainless steel, nuts in nickel plated brass.
- Weight: 0,5 Kg.
- Max recommended tightening torque: 1,5 Kgm.
- Packaging: 8 pieces.

• Assembly of Part. S0562

Example of assembly with vertical tubes  $\varnothing$  33,7 mm

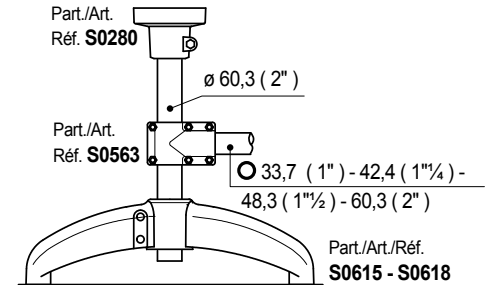


Example of assembly with vertical tubes  $\varnothing$  48,3 mm

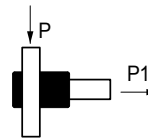


• Assembly of Part. S0563

Example of assembly with vertical tubes  $\varnothing$  60,3 mm



• Sliding load resistance



Part. S0562 (P = 2000 N) - (P1 = 3500 N)  
Part. S0563 (P = 1500 N) - (P1 = 3000 N)

Tests performed at tightening torque: 1,5 Kgm

● Best Seller

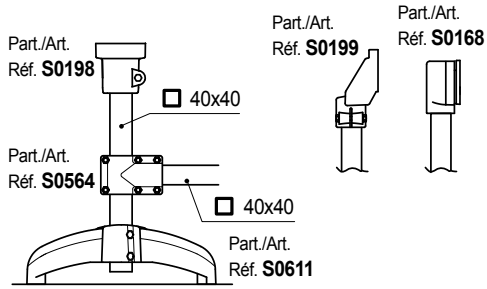
● Standard

● On request: minimum quantity may apply. Consult our Customer Service for availability.

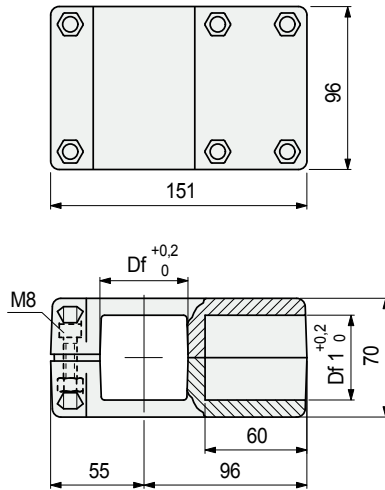
Item code for order = Part. + Code

## • Assembly of Part. S0564

Example of assembly with vertical tubes  $\varnothing 40$  mm



## ■ Connecting Joints



Tube dimensions mm	Bore Df mm	Bore Df1 mm	Code
$\varnothing 38 \times 38$	$\varnothing 38$	$\varnothing 38$	698531
$\varnothing 40 \times 40$	$\varnothing 40$	$\varnothing 40$	698541
$\varnothing 45 \times 45$	$\varnothing 45$	$\varnothing 45$	607112
$\varnothing 50 \times 50$	$\varnothing 50$	$\varnothing 50$	698551

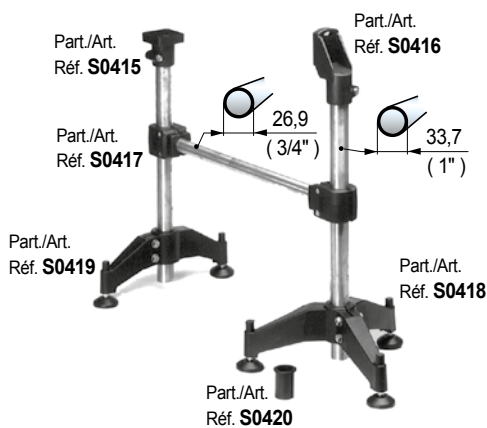
- Material: joint in reinforced polyamide PA FV (black). Tightening screws in austenitic stainless steel, nuts in nickel plated brass.
- Weight: 0,5 Kg.
- Max recommended tightening torque: 1,5 Kgm.
- Packaging: 8 pieces.

## Part. S0564

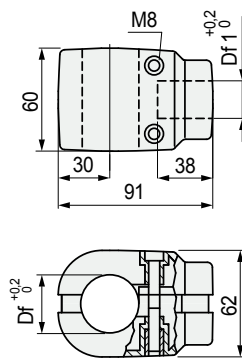


For square tubes

## • Assembly of Part. S0417



## ■ Connecting Joints



Vertical tube dia. mm	Horizontal tube dia. mm	Bore dia. Df mm	Bore dia. Df1 mm	Code
$\varnothing 33,7$ (1")	$\varnothing 26,9$ (3/4")	33,7	26,9	69368

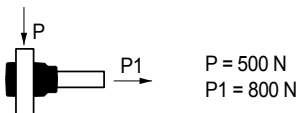
- Material: joint in reinforced polyamide PA FV (black). Tightening screws in austenitic stainless steel, tightening bushes in nickel plated brass.
- Weight: 0,21 Kg.
- Max recommended tightening torque: 2 Kgm.
- Packaging: 24 pieces.

## Part. S0417



For round tubes

## • Sliding load resistance



Tests performed at tightening torque: 2 Kgm

- Best Seller
- Standard
- On request: minimum quantity may apply. Consult our Customer Service for availability.

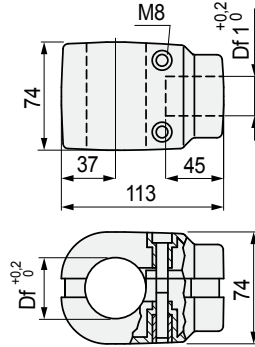
Item code for order = Part. + Code

Part. **S0454**



For round tubes

■ Connecting Joints



Vertical tube dia. mm	Horizontal tube dia. mm	Bore dia. Df mm	Bore dia. Df1 mm	Code
Ø 42,4 (1 1/4")	Ø 33,7 (1")	42,4	33,7	69378

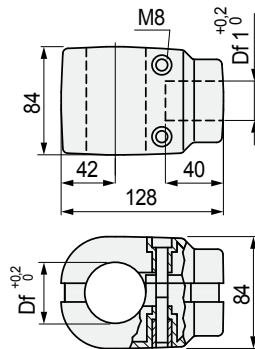
- Material: joint in reinforced polyamide PA FV (black). Tightening screws in austenitic stainless steel, tightening bushes in nickel plated brass.
- Weight: 0,36 Kg.
- Max recommended tightening torque: 2 Kgm.
- Packaging: 12 pieces.

Part. **S0137**



For round tubes

■ Connecting Joints



Vertical tube dia. mm	Horizontal tube dia. mm	Bore dia. Df mm	Bore dia. Df1 mm	Code
Ø 48,3 (1 1/2")	Ø 42,4 (1 1/4")	48,3	42,4	66813
Ø 60,3 (2")	Ø 42,4 (1 1/4")	60,3	42,4	65020

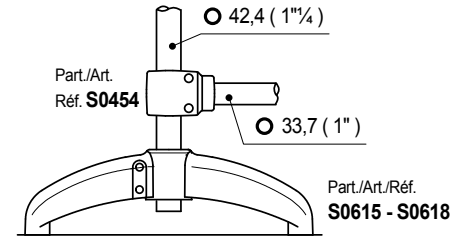
- Material: joint in reinforced polyamide PA FV (black). Tightening screws in austenitic stainless steel, tightening bushes in nickel plated brass.
- Weight: 0,44 Kg.
- Max recommended tightening torque: 1 Kgm.
- Packaging: 8 pieces.

- Best Seller
- Standard
- On request: minimum quantity may apply. Consult our Customer Service for availability.

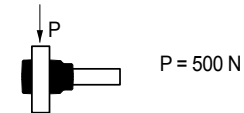
Item code for order = Part. + Code

• Assembly of Part. S0454

Example of assembly with vertical tubes Ø 42,4 mm



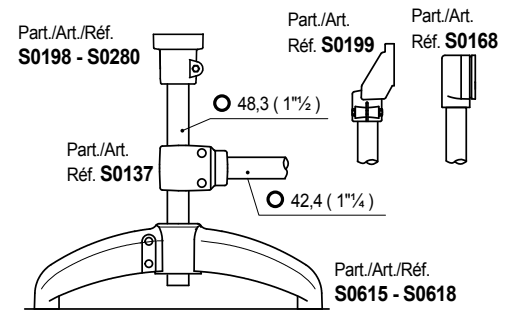
• Sliding load resistance



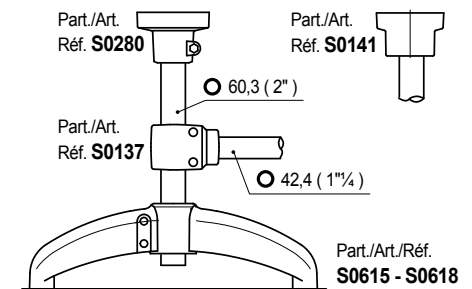
Tests performed at tightening torque: 2 Kgm

• Assembly of Part. S0137

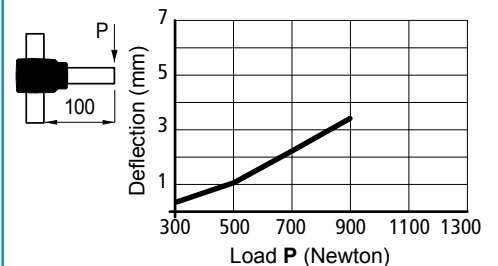
Example of assembly with vertical tubes Ø 48,3 mm



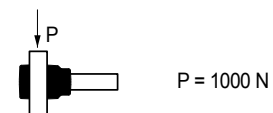
Example of assembly with vertical tubes Ø 60,3 mm



• Deflection

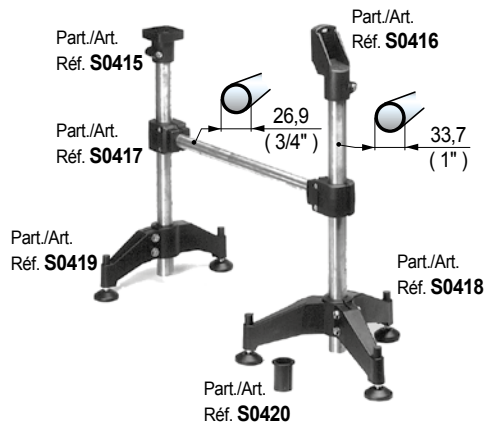


• Sliding load resistance

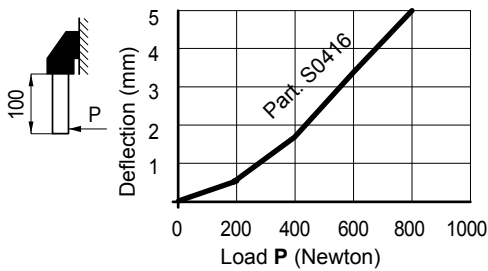


Tests performed at tightening torque: 1 Kgm

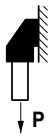
## • Assembly of Part. S0416 - S0415



## • Deflection Part. S0416



## • Sliding load



Part. S0416 (P = 3300 N)

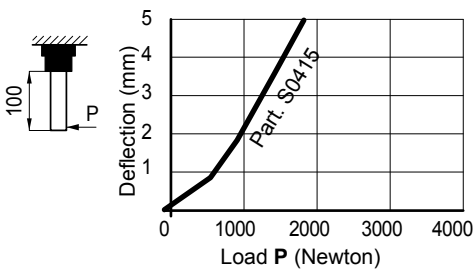
## • Breaking load



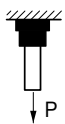
Part. S0416 (P = 21900 N)

Tests performed at tightening torque: 2 Kgm

## • Deflection Part. S0415



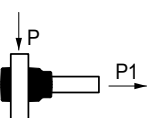
## • Sliding load



Part. S0415 (P = 1500 N)

Tests performed at tightening torque: 2 Kgm

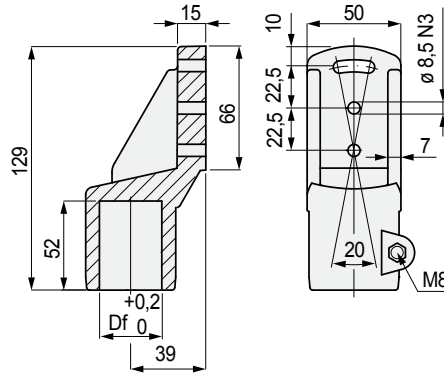
## • Sliding load



Part. S0415 (P = 500 N)  
(P1 = 800 N)

Tests performed at tightening torque: 2 Kgm

## ■ Side mounting top bracket



Tube dia. mm	Bore dia. Df mm	Bolts material	Code
Ø 33,7 (1")	33,7	Austenitic stainless steel	69668

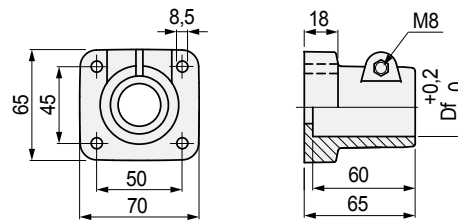
- Material: reinforced polyamide PA FV (black).
- Weight: 0,15 Kg.
- Max recommended tightening torque: 2 Kgm.
- Packaging: 24 pieces.

## Part. S0416



For round tubes

## ■ Bearing head



Tube dia. mm	Bore dia. Df mm	Bolts material	Code
Ø 33,7 (1")	33,7	Austenitic stainless steel	69658

- Material: reinforced polyamide PA FV (black).
- Weight: 0,12 Kg.
- Max recommended tightening torque: 2 Kgm.
- Packaging: 24 pieces.

## Part. S0415



For round tubes

- Best Seller
- Standard
- On request: minimum quantity may apply. Consult our Customer Service for availability.

Item code for order = Part. + Code

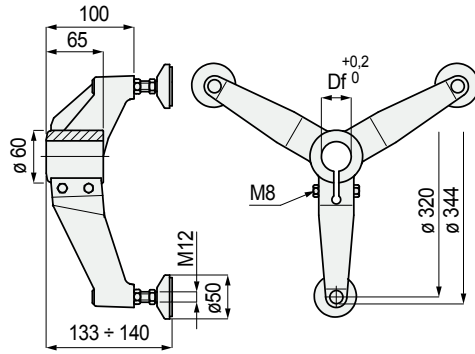


Part. **S0418**



For round tubes

Support base (tripod)



Tube dia. mm	Bore dia. Df mm	Bolts material	Code
Ø 33,7 (1")	33,7	Austenitic stainless steel	614201

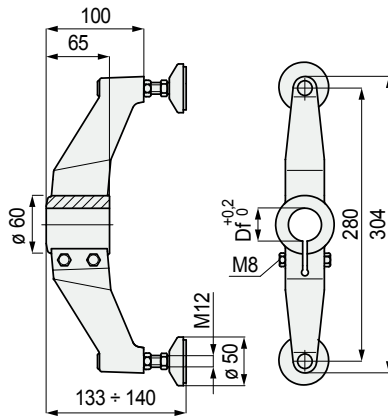
- Material: support base and foot plate in reinforced polyamide PA FV (black). Protective spindle cap in polyamide PA (black). Spindle in austenitic stainless steel. Nickel plated brass threaded bushings. Anti-slip disc in black NBR rubber (70 shore).
- Weight: 0,81 Kg.
- Max recommended tightening torque: 2 Kgm.
- Packaging: 8 pieces.

Part. **S0419**



For round tubes

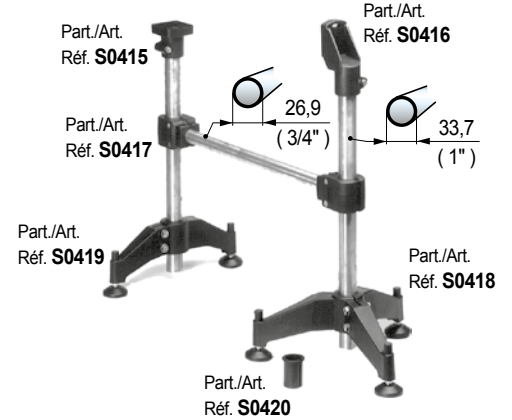
Support base (bipod)



Tube dia. mm	Bore dia. Df mm	Bolts material	Code
Ø 33,7 (1")	33,7	Austenitic stainless steel	614211

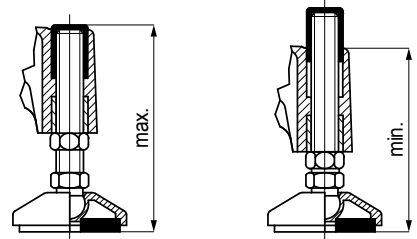
- Material: support base and foot plate in reinforced polyamide PA FV (black). Protective spindle cap in polyamide PA (black). Spindle in austenitic stainless steel. Nickel plated brass threaded bushings. Anti-slip disc in black NBR rubber (70 shore).
- Weight: 0,57 Kg.
- Max recommended tightening torque: 2 Kgm.
- Packaging: 12 pieces.

Assembly of Part. S0418 - S0419

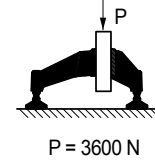


Protective cap

prevents entry of dirt and protects thread. During adjustment of the foot, the protective cap follows the movement of the spindle.

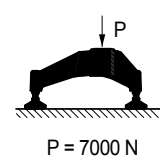


Sliding load resistance Part. S0418



P = 3600 N

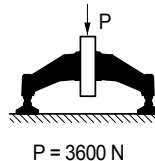
Max applicable load Part. S0418



P = 7000 N

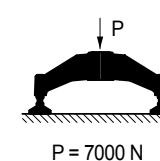
Tests performed at tightening torque: 2 Kgm

Sliding load resistance Part. S0419



P = 3600 N

Max applicable load Part. S0419



P = 7000 N

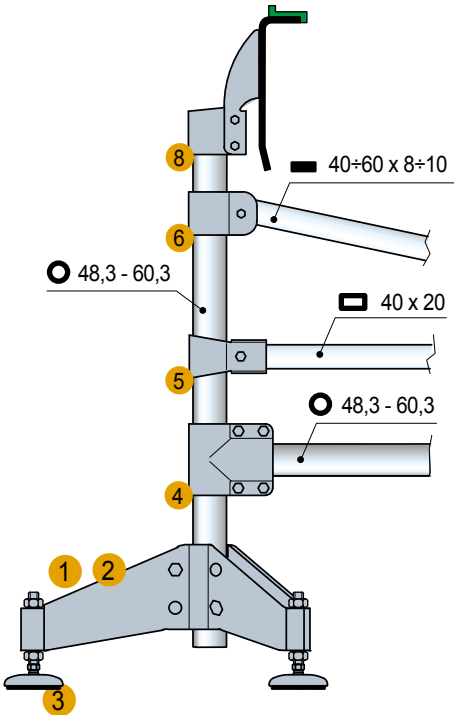
Tests performed at tightening torque: 2 Kgm

Best Seller

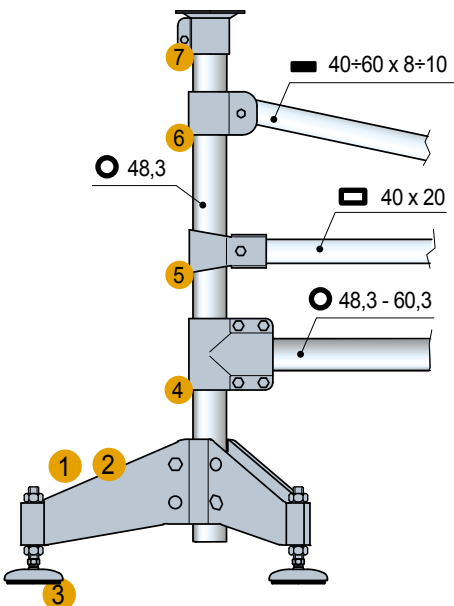
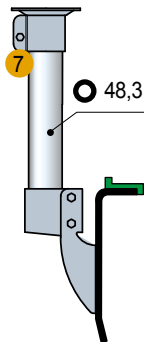
Standard

On request: minimum quantity may apply. Consult our Customer Service for availability.

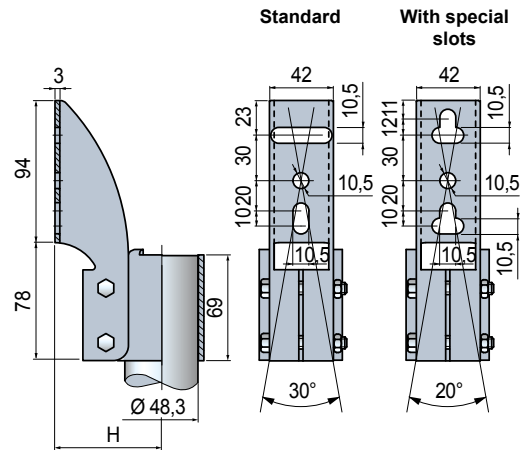
Item code for order = Part. + Code



- 1 - Part. S0706
- 2 - Part. S0707
- 3 - Part. S0623 - S0627
- 4 - Part. S0686
- 5 - Part. S0688
- 6 - Part. S0689
- 7 - Part. S0690
- 8 - Part. S0685



## Side mounting top bracket



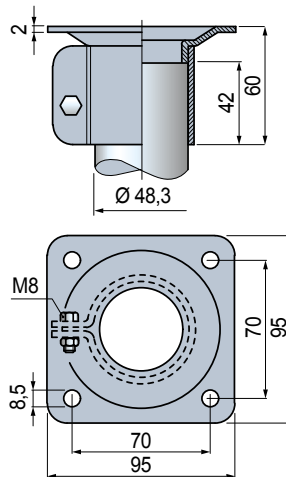
Tube dia. mm	Code		H mm	Weight kg
	Standard	With special slots		
48,3 (1 <sup>1</sup> / <sub>2</sub> )	684502	610223	72	0,70

- Material: top bracket and bolts in austenitic stainless steel.
- Packaging: 4 pieces.

## Part. S0685



## Bearing head



Tube dia. mm	Code	Weight kg
48,3 (1 <sup>1</sup> / <sub>2</sub> )	684572	0,33

- Material: top bracket and bolts in austenitic stainless steel.
- Packaging: 4 pieces.

## Part. S0690

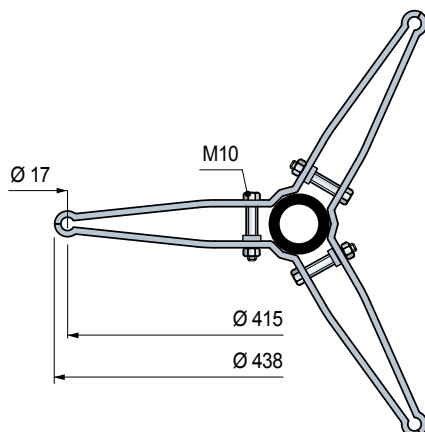
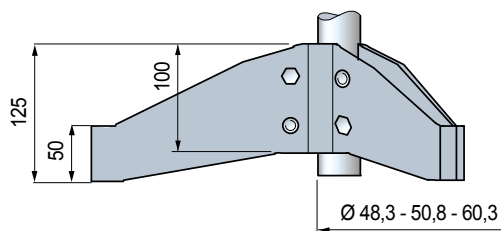


- Best Seller
- Standard
- On request: minimum quantity may apply. Consult our Customer Service for availability.

Item code for order = Part. + Code

## Part. S0707

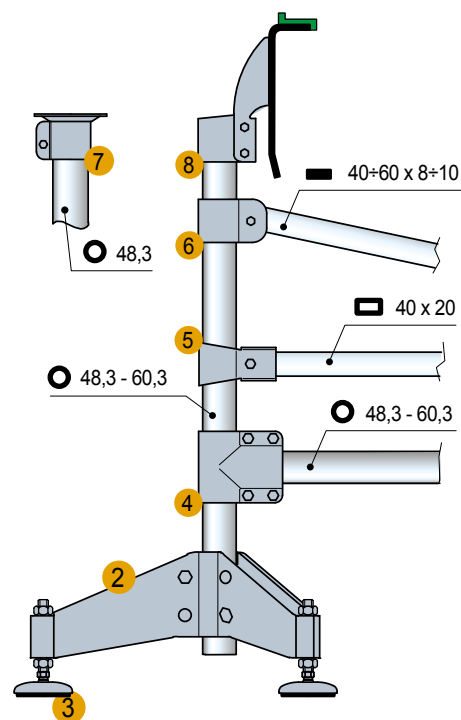
■ Support base (tripod)



Tube dia. mm	Code	Weight kg
48,3 (1"1/2)	685062N	
50,8	609963N	2,61
60,3 (2")	685862N	

- Material: top bracket and bolts in austenitic stainless steel.

- Packaging: 1 pieces.



- 1 - Part. S0706
- 2 - Part. S0707
- 3 - Part. S0623 - S0627
- 4 - Part. S0686
- 5 - Part. S0688
- 6 - Part. S0689
- 7 - Part. S0690
- 8 - Part. S0685

● Best Seller

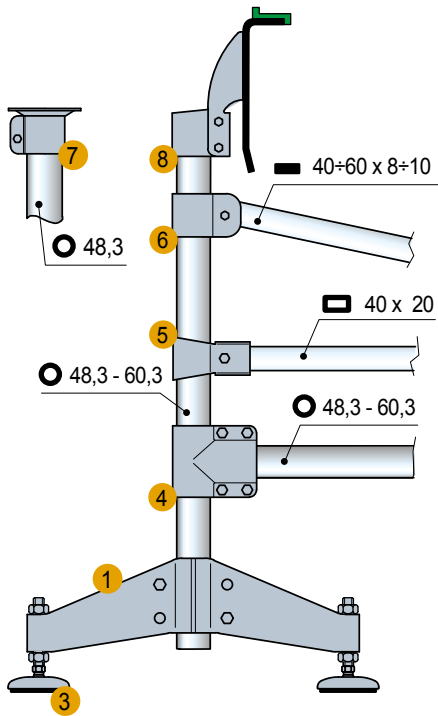
● Standard

● On request: minimum quantity may apply. Consult our Customer Service for availability.

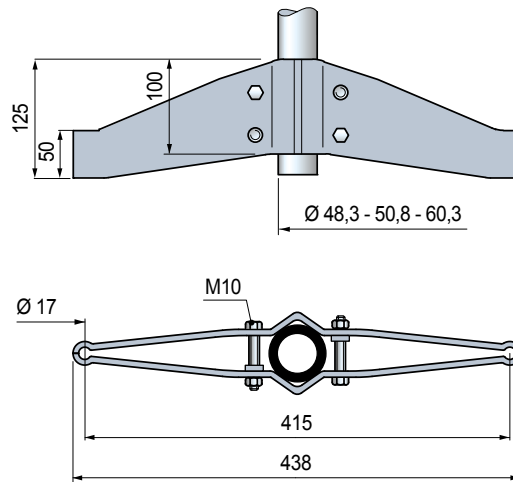
Item code for order = Part. + Code

## Part. S0706

### Support base (bipod)



- 1 - Part. S0706
- 2 - Part. S0707
- 3 - Part. S0623 - S0627
- 4 - Part. S0686
- 5 - Part. S0688
- 6 - Part. S0689
- 7 - Part. S0690
- 8 - Part. S0685



Tube dia. mm	Code	Weight kg
48,3 (1"1/2)	685052N	
50,8	609953N	1,88
60,3 (2")	685852N	

- Material: top bracket and bolts in austenitic stainless steel.
- Packaging: 2 pieces.

- Best Seller
- Standard
- On request: minimum quantity may apply. Consult our Customer Service for availability.

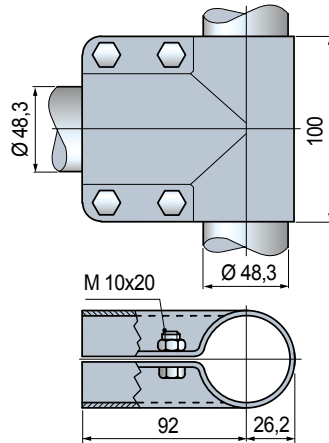
Item code for order = Part. + Code

Part. **S0686**



For tubes Ø 48,3 mm

■ Connecting Joints



Tube dia. mm	State of supply	Code	Weight kg
48,3 (1 1/2")	With bolts	<b>684512</b>	0,64
	Without bolts	<b>684522</b>	

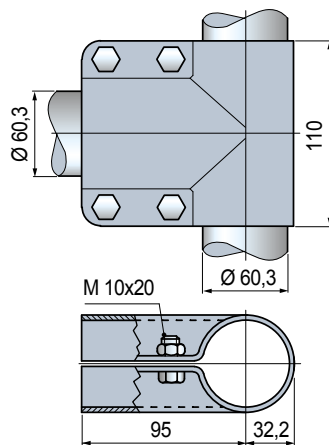
- Material: joint and bolts in austenitic stainless steel.  
- Packaging: 4 pieces.

Part. **S0687**



For tubes Ø 60,3 mm

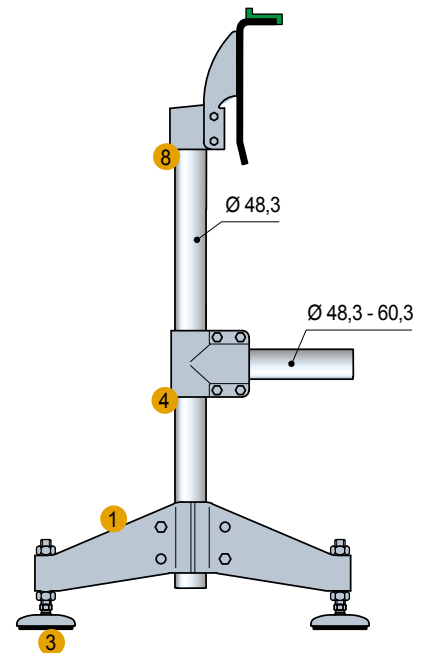
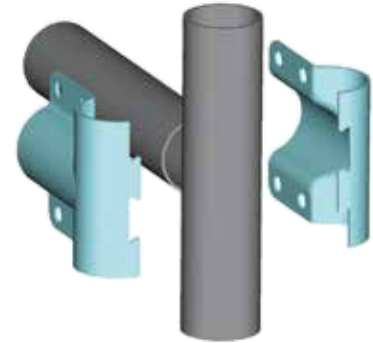
■ Connecting Joints



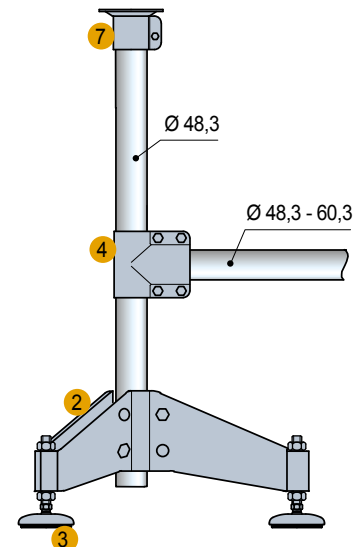
Tube dia. mm	State of supply	Code	Weight kg
60,3 (2")	With bolts	<b>684532</b>	0,70
	Without bolts	<b>684542</b>	

- Material: joint and bolts in austenitic stainless steel.  
- Packaging: 4 pieces.

• Assembly Part. S0686 - S0687



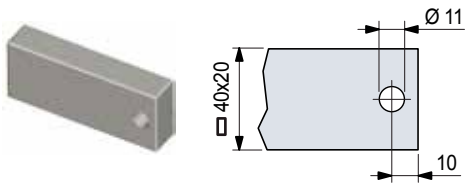
- 1 - Part. S0706
- 2 - Part. S0707
- 3 - Part. S0623 - S0627
- 4 - Part. S0686
- 7 - Part. S0690
- 8 - Part. S0685



- Best Seller
- Standard
- On request: minimum quantity may apply. Consult our Customer Service for availability.

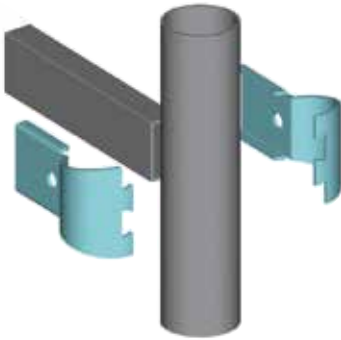
Item code for order = Part. + Code

• Drilling template for rectangular tubes.

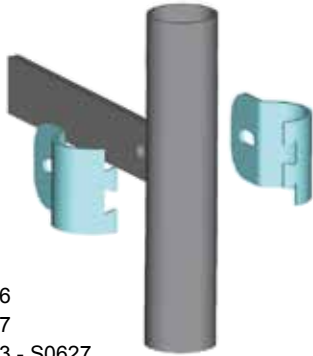


• Assembly

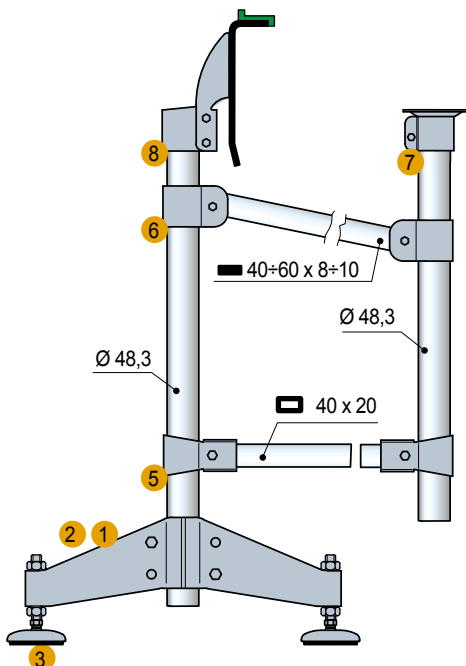
Part. S0688



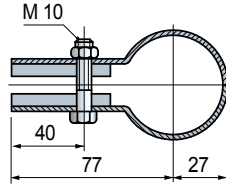
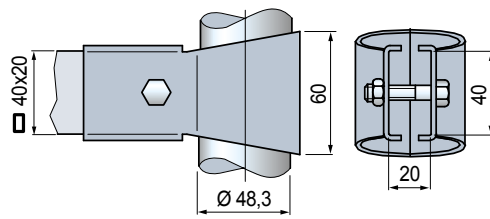
Part. S0689



- 1 - Part. S0706
- 2 - Part. S0707
- 3 - Part. S0623 - S0627
- 5 - Part. S0688
- 6 - Part. S0689
- 7 - Part. S0690
- 8 - Part. S0685



## Connecting Joints



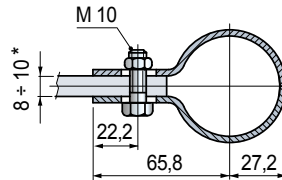
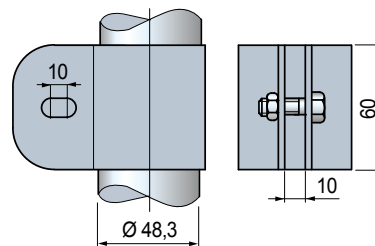
Tube dia. mm	Rectangular tube mm	Code	Weight kg
48,3 (1"1/2)	40 x 20	684552	0,35

- Material: joint and bolts in austenitic stainless steel.
- Packaging: 8 pieces.

## Part. S0688



## Connecting Joints



\*= Can be used with plate thickness 8 ÷ 10 mm.

Tube dia. mm	Code	Weight kg
48,3 (1"1/2)	684562	0,37
50,8	609943	

- Material: joint and bolts in austenitic stainless steel.
- Packaging: 8 pieces.

## Part. S0689



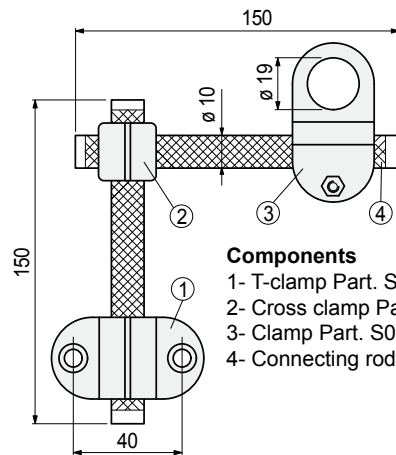
- Best Seller
- Standard
- On request: minimum quantity may apply. Consult our Customer Service for availability.

Item code for order = Part. + Code

## Part. S0342



### Assembly kit for photocells or sensors



- Components**
- 1- T-clamp Part. S0339
  - 2- Cross clamp Part. S0340
  - 3- Clamp Part. S0341
  - 4- Connecting rod

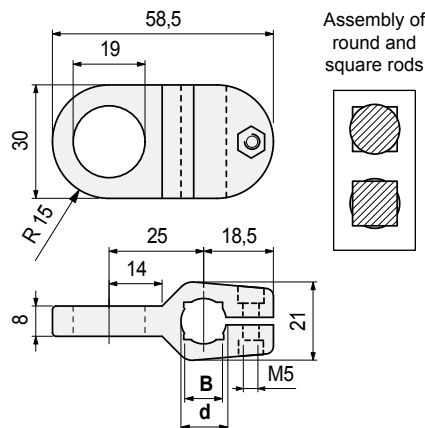
Code	Weight kg
605153N	0,14

- Material: clamps in reinforced polyamide PA FV (black), tightening bolt and connecting rods in austenitic stainless steel.
- Max recommended tightening torque : 0,5 Kgm.
- Packaging: 50 Kit.

## Part. S0341



### Clamp for photocells or sensors

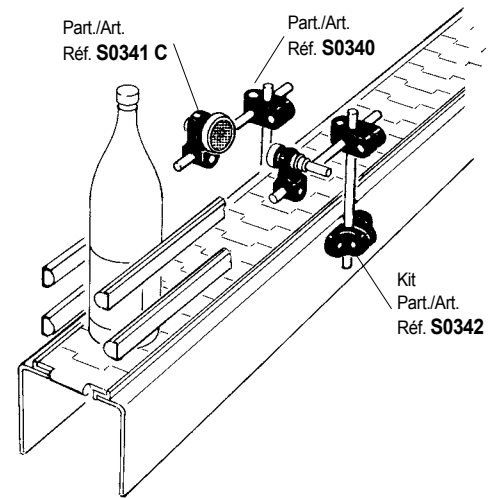


Tightening bolt material	Rod dia. d mm	Square rod B mm	Code	Weight kg
			68383	
Austenitic stainless steel	10	8	68383	0,02
	12	10	68395	
	14	12	67385	
Zinc plated steel	10	8	627061	
	12	10	627071	
		14	627081	

- Material: clamp in reinforced polyamide PA FV (black).
- Max recommended tightening torque: 0,5 Kgm.
- Packaging: 50 pieces.

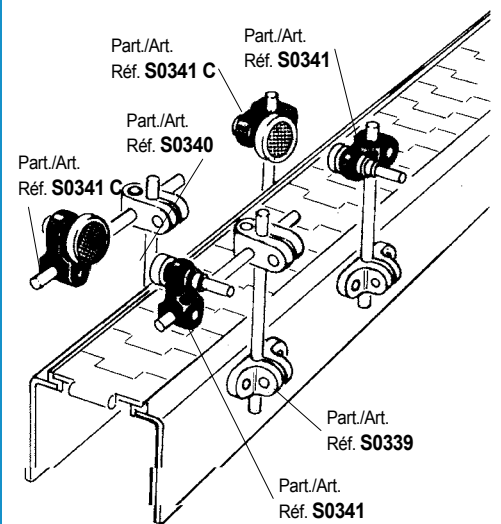
### Assembly Part. S0342

Dia. 18 mm photocells or sensors



### Assembly Part. S0341

Dia. 18 mm photocells or sensors



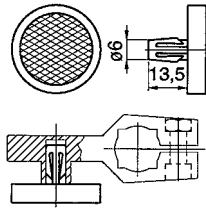
- Best Seller
- Standard
- On request: minimum quantity may apply. Consult our Customer Service for availability.

Item code for order = Part. + Code

## • Assembly Part. S0341 C

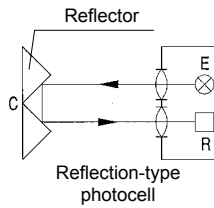
Types of reflectors that can be mounted:

Reflector with clip-on fixing pin: press-fit between clip and clamp hole.



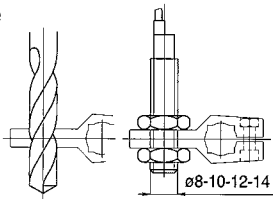
## • Operating principle

The beam of light emitted by source E is reflected by reflector C and conveyed to receiver R. Reading is performed through interruption of the beam of light.



## • Assembly of photocells or sensors

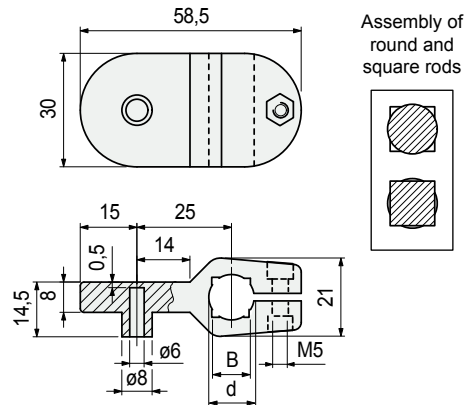
The clamp can also be drilled to hold dia. 8-10-12-14 mm photocells or sensors.



## • Suitable reflector type

Imos

## ■ Clamp for reflectors



## Part. S0341C



Tightening bolt material	Rod dia. d mm	Square rod B mm	Code	Weight kg
Austenitic stainless steel	10	8	6721500	0,02
	12	10	6912500	
	14	12	6913500	
Zinc plated steel	10	8	6270910	
	12	10	6271010	
	14	12	6271110	

- Material: clamp in reinforced polyamide PA FV (black).
- Max recommended tightening torque: 0,5 Kgm.
- Packaging: 50 pieces.

Best Seller

Standard

On request: minimum quantity may apply. Consult our Customer Service for availability.

Item code for order = Part. + Code

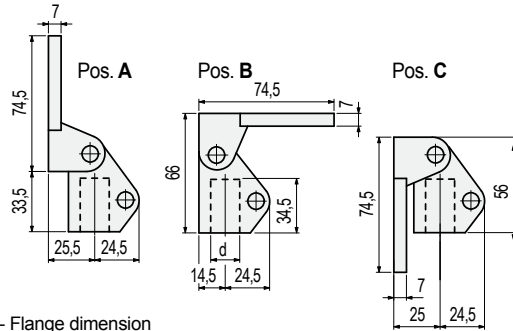


Part. **S0372**

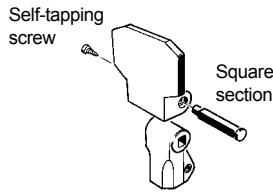
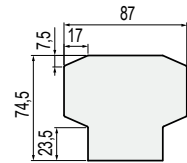


■ Universal clamp for photocells or reflectors

- Can be fitted in positions A - B - C



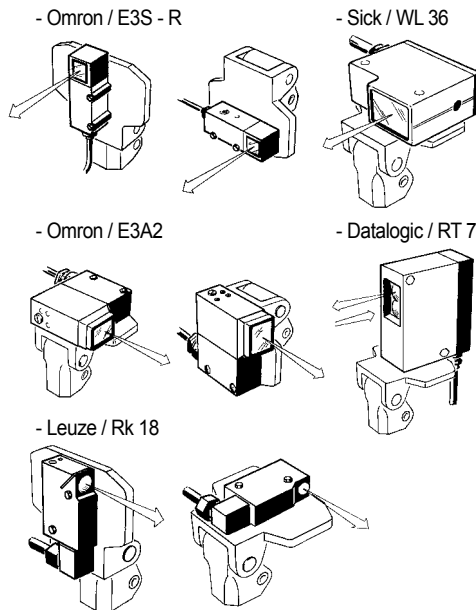
- Flange dimension



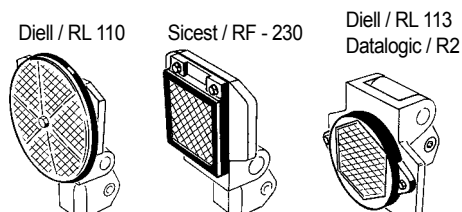
Rod dia. d mm	Code	Weight kg
14	61786	0,12
15	61796	
16	61806	
18	61816	
20	61826	

- Material: clamp in reinforced polyamide PA FV (black), tightening bolt in austenitic stainless steel.
- State of supply: already assembled in position A
- Max recommended tightening torque: 1,5 Kgm.
- Packaging: 50 pieces.

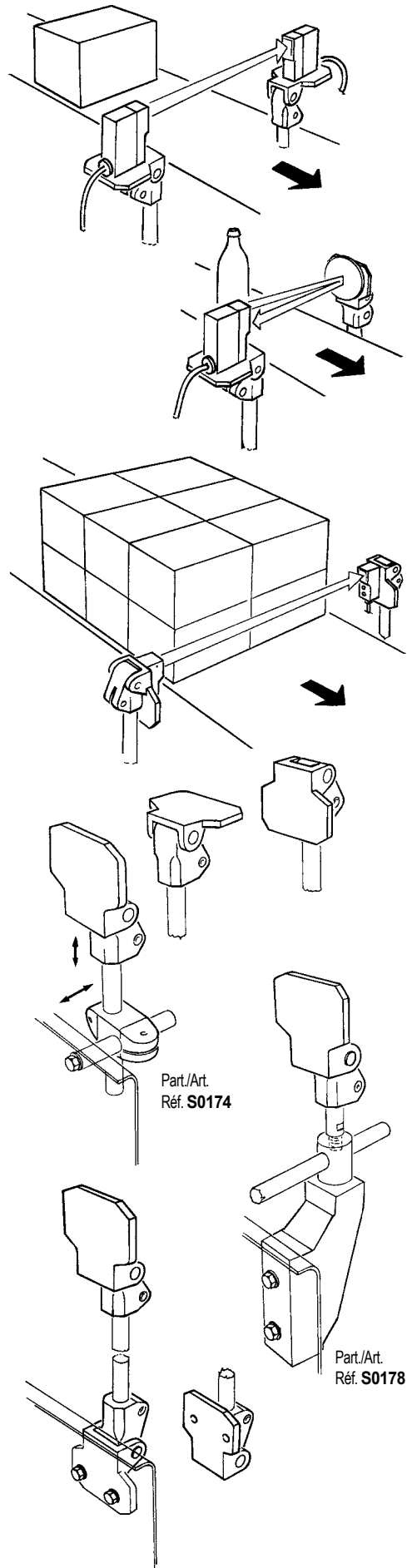
• Suitable photocell types



• Suitable reflector types



• Assembly Part. S0372



- Best Seller
- Standard
- On request: minimum quantity may apply. Consult our Customer Service for availability.

Item code for order = Part. + Code

## Part. S0518

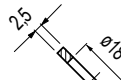
### • Use

Contact lever ideal to mechanically check the presence of products. Works in conjunction with photocells or magnetic sensor (proximity sensor).

### • Versions

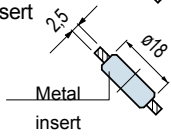
The control contact lever is supplied in three versions according to the type of sensor to be used.

1) With hole (no insert).



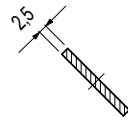
Sez A-A

2) With hole and metal insert (for magnetic sensor).



Sez A-A

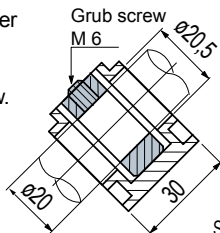
3) Without hole



Sez A-A

### • Assembly on the shaft.

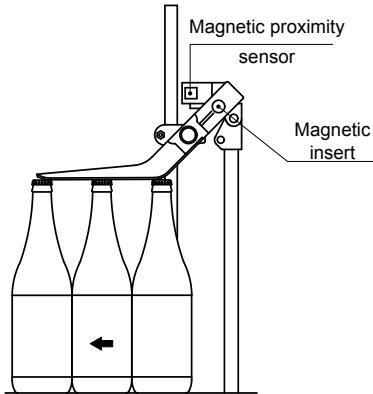
The control contact lever can be axially fixed on the shaft with a metal collar and a grub screw.



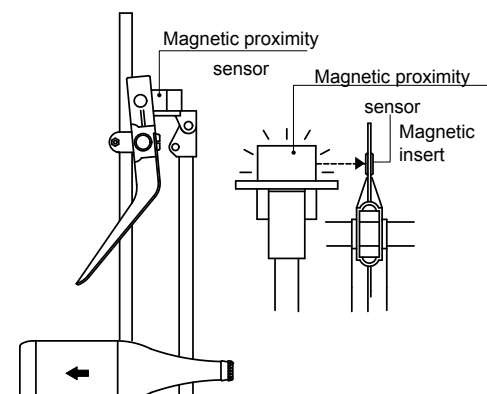
Sez B-B

### • Assembly of Part. S0518 (with insert for magnetic sensor)

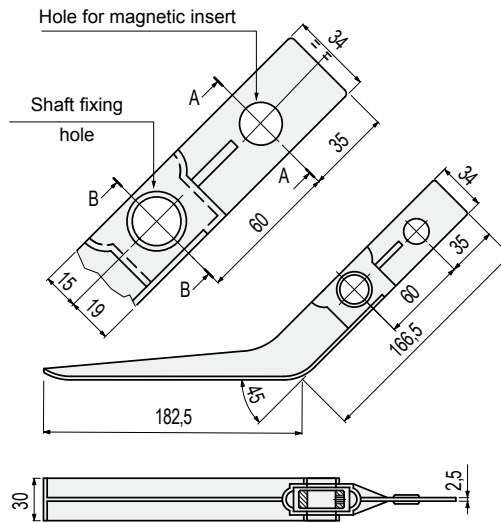
In regular conditions the control contact lever is high and magnetic proximity sensor does not detect the presence of magnetic insert.



In case of problem (example bottle downing) the control contact lever lowers and magnetic sensor detects the presence of magnetic insert and stops the conveyor.



### ■ Control contact lever



Version	Code	Weight kg
With hole (no insert)	642941N	
With hole and metal insert	642951N	0,1
Without hole	696021N	

- Material: lever in polypropylene (black), insert (for magnetic sensor) in ferritic stainless steel, locking spacer (for shaft fixing) in zinc plated steel.
- Packaging: 50 pieces.

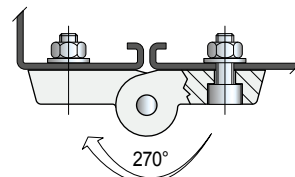
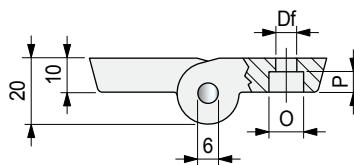
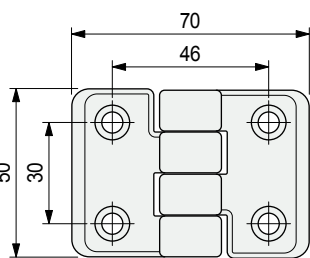
- Best Seller
- Standard
- On request: minimum quantity may apply. Consult our Customer Service for availability.

Item code for order = Part. + Code

Part. **S0337**

■ 270° hinge

**NEW DESIGN**

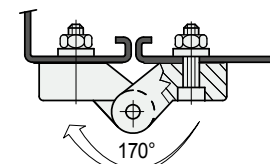
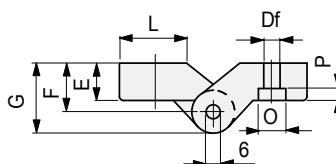
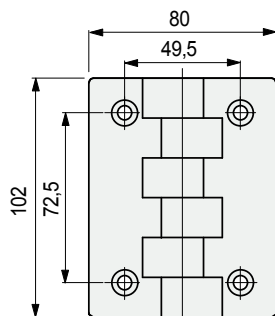


Fixing screws dia.	Code	ø Df mm	O mm	P mm	Weight gr	Packaging No. of pieces
M 6	<b>67023</b>	6,5	10,5	6	55	24
M 8	<b>60334</b>	8,5	13,5	4		

- Material: hinge in reinforced polyamide PA FV (black). Pin in ferritic stainless steel.  
 - Max recommended tightening torque: 0,5 Kgm.

Part. **S0260**

■ 170° hinge



E mm	Fixing screws dia.	Code	ø Df mm	F mm	G mm	O mm	P mm	L mm	Weight gr	Packaging No. of pieces
11,5	M 6	<b>65021</b>	6,5	14,5	23,5	10,5	6	35	110	20
	M 8	<b>66546</b>	8,5			13,5	8			
18	M 6	<b>65011</b>	6,5	21	30	10,5	6	22	130	
	M 8	<b>66556</b>	8,5			13,3	8			

- Material: hinge in polyamide PA (black). Pin in austenitic stainless steel.  
 - Max recommended tightening torque: 0,5 Kgm (with M6 screws), 1 Kgm (with M8 screws).

● Best Seller

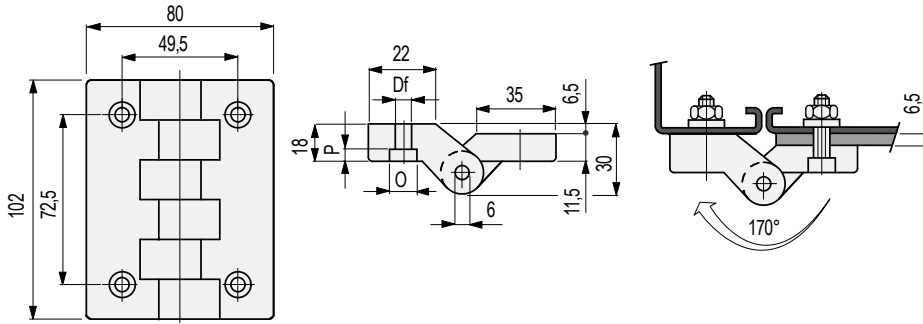
● Standard

● On request: minimum quantity may apply. Consult our Customer Service for availability.

Item code for order = Part. + Code

■ 170° hinge

Part. **S0260**



Fixing screws dia.	Code	ø Df mm	O mm	P mm	Weight gr	Packaging No. of pieces
M 6	<b>65031</b>	6,5	10,5	6	120	20
M 8	<b>66566</b>	8,5	13,5	4		

- Material: hinge in polyamide PA (black). Pin in austenitic stainless steel.
- Max recommended tightening torque: 0,5 Kgm (with M6 screws), 1 Kgm (with M8 screws).

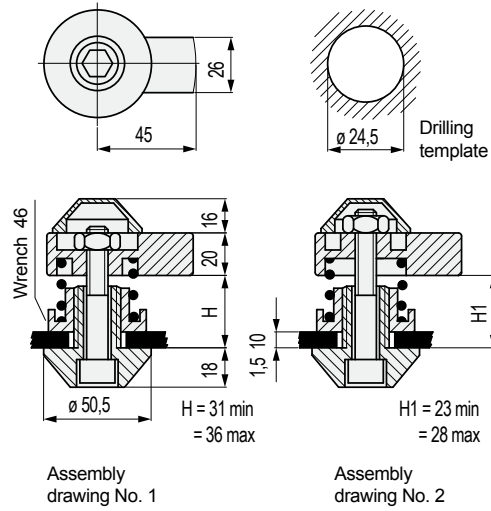
**For misaligned mounting surfaces**

- **Best Seller**
- **Standard**
- **On request:** minimum quantity may apply. Consult our Customer Service for availability.

Item code for order = Part. + Code

Part. **S0272**

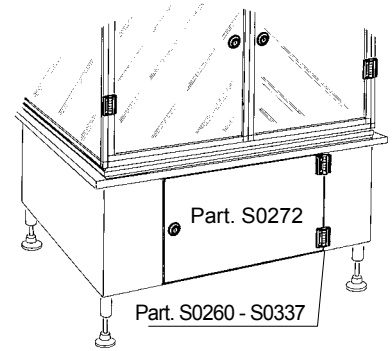
Lock



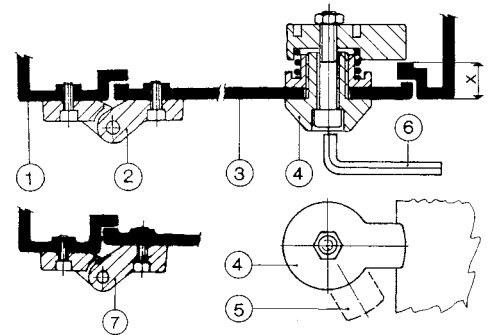
Code	Weight kg
66771	0,2

- Material: body in reinforced polyamide PA FV (black), bolts, nuts and spring in austenitic stainless steel.
- Use: closure of doors in machines for foodindustry (washing, bottling, etc).
- Packaging: 10 pieces.
- Operation with hexagonal bar 10 key.
- Key turn: 360 right or left.
- Assembly instructions:  
Assembly lock as shown in assembly diagram 1, when the size X (Fig. 1) is suitable for assembly distance between 31 ÷ 36 mm. When X (Fig. 1) is between 23 ÷ 28 mm, follow assembly type 2.

• Assembly Part. S0272



• Fig. 1



- 1 - Machine structure.
- 2 - Hinge Part. S0260 - S0337.
- 3 - Door.
- 4 - Lock Part. S0272 (in closed position).
- 5 - Lock Part. S0272 (in open position).
- 6 - Lock key (with exagonal 10 wrench).
- 7 - Hinge Part. S0260 (for misaligned mounting surfaces).

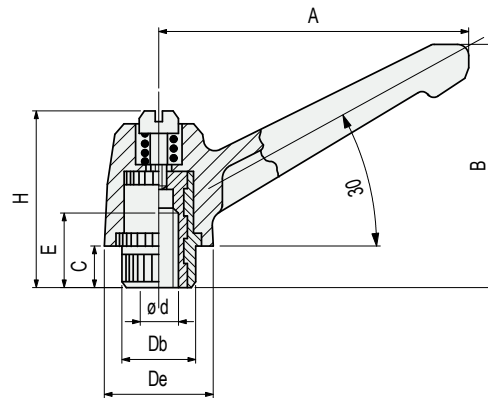
● Best Seller

● Standard

● On request: minimum quantity may apply. Consult our Customer Service for availability.

Item code for order = Part. + Code

## Ratchet handle clamping



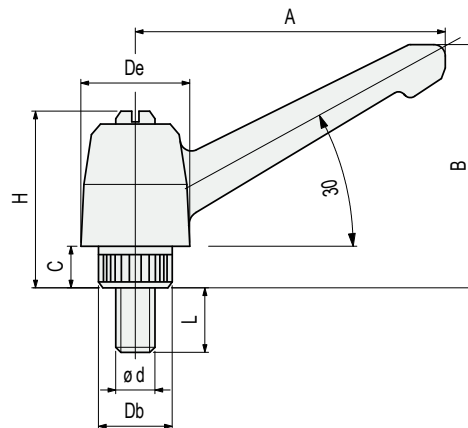
Bore dia. d	A mm	B mm	C mm	E mm	H mm	$D_b$ mm	$D_e$ mm	Code
<b>M6</b>	40	40	7	12	32	11,5	16	<b>60902</b>
<b>M8</b>	55	51	10	14	37	15	20	<b>60862</b>
<b>M10</b>	79	67	11	20	48	20	28	<b>60962</b>

- Material: handle in reinforced polyamide in PA FV (black), Threaded insert in nickel plated brass.
- Packaging:  
with d = M6 and M8 (100 pieces).  
with d = M10 (50 pieces).

## Part. S0302



## Ratchet handle clamping



Bore dia. d	A mm	B mm	C mm	L mm	H mm	$D_b$ mm	$D_e$ mm	Code
<b>M5</b>	40	40	7	20	32	11,5	16	<b>646742</b>
<b>M6</b>	40	40	7	20	32	11,5	16	<b>60922</b>
<b>M8</b>	55	51	10	25	37	15	20	<b>60872</b>
<b>M10</b>	79	67	11	30	48	20	28	<b>60942</b>

- Material: handle in reinforced polyamide in PAFV (black), spindle in austenitic stainless steel.
- Packaging:  
with d = M5, M6 and M8 (100 pieces).  
with d = M10 (50 pieces).

## Part. S0303



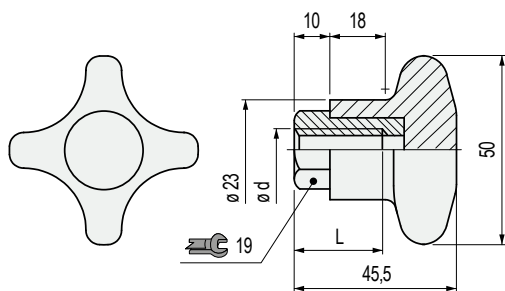
- Best Seller
- Standard
- On request: minimum quantity may apply. Consult our Customer Service for availability.

Item code for order = Part. + Code

Part. **S0182**



■ Tightening knob



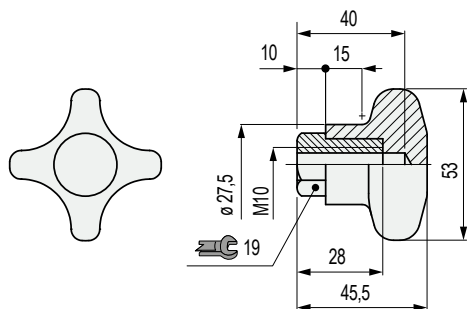
Thread dia. d	Code	L mm
<b>Threaded insert in austenitic stainless steel</b>		
M6	645111N	
M8	649961N	
M10	649971N	23
M12	645141N	
<b>Threaded insert in nickel plated brass</b>		
M10	54911	28

- Material: knob in reinforced polyamide PA FV (black), threaded insert in nickel plated brass.
- Max recommended tightening torque: 2,5 Kgm (manual tightening), 4 Kgm (tightening with wrench). For high tightening torques apply a 19 mm wrench to the hexagon of the insert.
- Packaging: 50 pieces.

Part. **S0183**



■ Tightening knob



Code
54921

- Material: knob in reinforced polyamide PA FV (black), threaded insert in nickel plated brass.
- Max recommended tightening torque: 2,5 Kgm (manual tightening), 4 Kgm (tightening with wrench). For high tightening torques apply a 19 mm wrench to the hexagon of the insert.
- Packaging: 50 pieces.

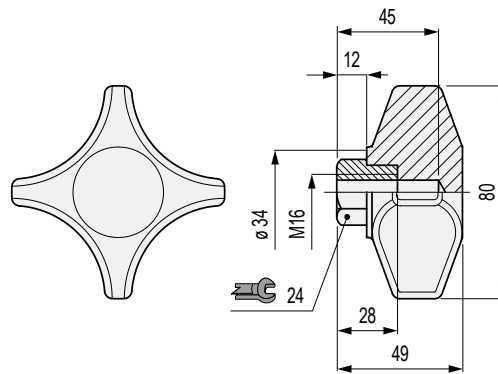
● Best Seller

● Standard

● On request: minimum quantity may apply. Consult our Customer Service for availability.

Item code for order = Part. + Code

## ■ Tightening knob



## Part. S0625

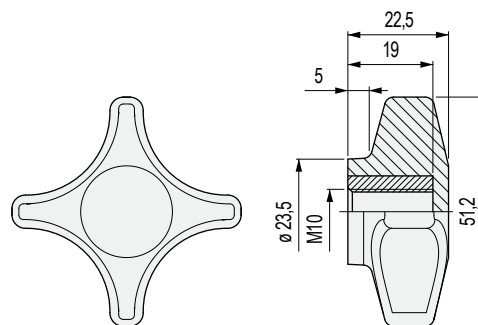


### Code

641372

- Material: knob in reinforced polyamide PA FV (black), threaded insert in nickel plated brass.
- Max recommended tightening torque: 3 Kgm (manual tightening), 5 Kgm (tightening with wrench).  
For high tightening torques apply a 24 mm wrench to the hexagon of the insert.
- Packaging: 50 pieces.

## ■ Tightening knob



## Part. S0775



### Code

612763

- Material: knob in reinforced polyamide PA FV (black), threaded insert in nickel plated brass.
- Max recommended tightening torque: 2,5 Kgm (manual tightening).
- Packaging: 50 pieces.



- Best Seller
- Standard
- On request: minimum quantity may apply. Consult our Customer Service for availability.

Item code for order = Part. + Code

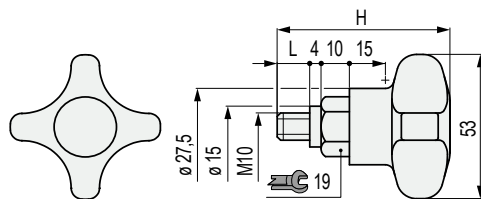


Part. **S0185**

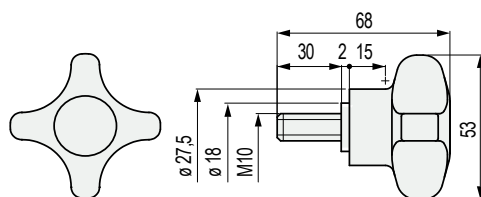


■ Tightening knob

Version with hexagonal key



Version without hexagonal key



Material knob	L mm	Code	H mm
<b>Version with hexagonal key</b>			
Reinforced Polyamide	11	53081	61
PA FV (black)	30	683832	80
Reinforced Polypropylene	11	683902	61
PP FV (grey)			
<b>Version without hexagonal key</b>			
Reinforced Polyamide	-	698942	-
PA FV (black)			

- Use: version with knob in reinforced Polypropylene PP FV (grey), gives a better resistance to chemical agents.
- Material: knob in reinforced polyamide PA FV (black), (threaded insert in nickel plated brass).  
With knob in reinforced Polypropylene PP FV (threaded insert in austenitic stainless steel).
- Max recommended tightening torque: 2,5 Kgm (manual tightening), 4 Kgm (tightening with wrench).  
For high tightening torques apply a 19 mm wrench to the hexagon of the insert.
- Packaging: 50 pieces.

● Best Seller

● Standard

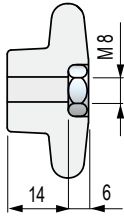
● On request: minimum quantity may apply. Consult our Customer Service for availability.

Item code for order = Part. + Code

• **Example of application** of version with hexagonal seat

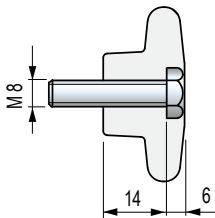
**Use with nut**

Apply a standard hexagonal M 8 UNI 5588, DIN 934.



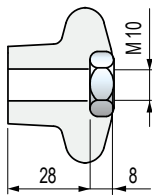
**Use with screw**

Apply an hexagonal head screw M 8 UNI 5739, DIN 933, ISO 4017.



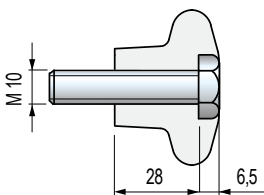
**Use with nut**

Apply a standard hexagonal M 10 UNI 5588, DIN 934.



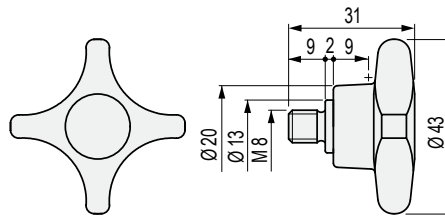
**Use with screw**

Apply an hexagonal head screw M 10 UNI 5739, DIN 933, ISO 4017.

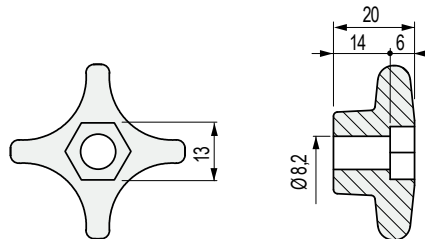


■ **Tightening knob**

**Version with threaded insert**



**Version with hexagonal seat**



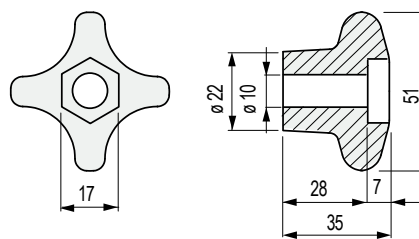
Version

Code

With threaded insert	676392
With hexagonal seat	676402

- Supplied in reinforced Polypropylene PP FV, gives a better resistance to chemical agents.
- Material: knob in reinforced Polypropylene PP FV (grey), threadedinsert in austenitic stainless steel.
- Max admitted tightening torque: 1 Kgm (version with threaded insert).
- Packaging: 50 pieces.

■ **Tightening knob**



Code

Weight  
kg

**Reinforced Polyamide PA FV (black)**

693552	0,02
--------	------

**Reinforced Polypropylene PP FV (grey)**

693562	0,02
--------	------

- Economical version (supplied without tightening elements).
- The version in reinforced Polypropylene PP FV, gives a better resistance to chemical agents.
- Packaging: 50 pieces.

**Part. S0671**



**Part. S0734**



● Best Seller

● Standard

● On request: minimum quantity may apply. Consult our Customer Service for availability.

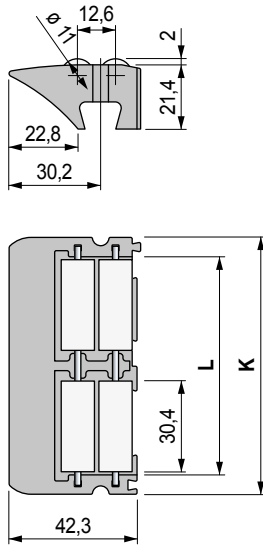
Item code for order = Part. + Code

## Part. S0846



**NEW**

### End transfer module (with lip)



K mm	L mm	Code	Weight kg
85	72	645573	0,046
115	102	645583	0,063

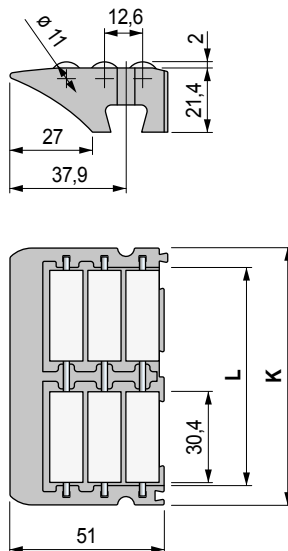
- Material: frame in acetal Rex-HP™ (dark grey) very low coefficient of friction, rollers in acetal POM (white). Roller pins in austenitic stainless steel.
- Modularity: snap-on assembly with Part. S0847 - S0848 - S0849.
- Packaging: 10 pieces.

## Part. S0847



**NEW**

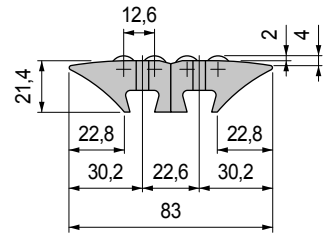
### End transfer module (with lip)



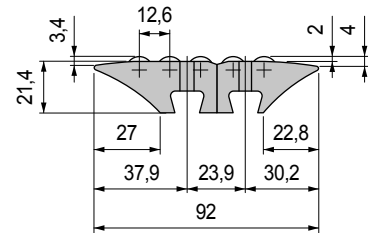
K mm	L mm	Code	Weight kg
85	72	645593	0,062
115	102	645603	0,085

- Material: frame in acetal Rex-HP™ (dark grey) very low coefficient of friction, rollers in acetal POM (white). Roller pins in austenitic stainless steel.
- Modularity: snap-on assembly with Part. S0846 - S0848 - S0849.
- Packaging: 10 pieces.

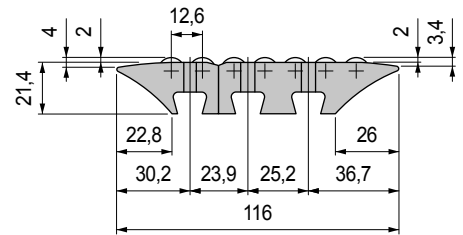
### • Assembly Part. S0846 - S0846



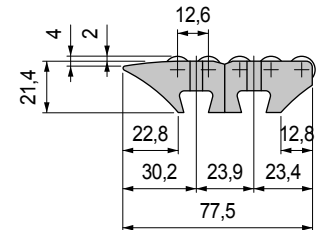
### • Assembly Part. S0846 - S0847



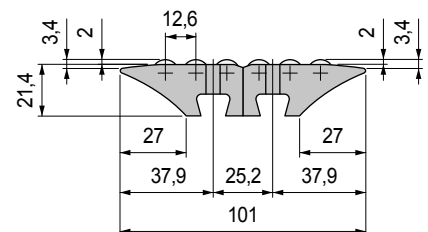
### • Assembly Part. S0846 - S0848



### • Assembly Part. S0846 - S0849



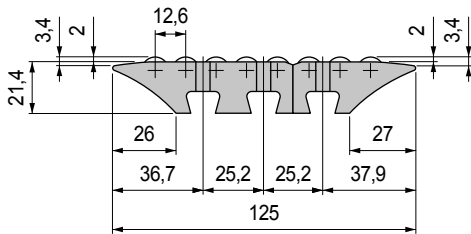
### • Assembly Part. S0847 - S0847



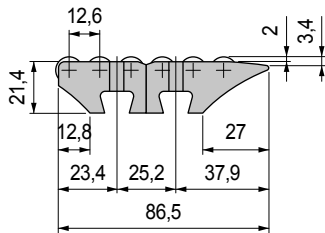
- Best Seller
- Standard
- On request: minimum quantity may apply. Consult our Customer Service for availability.

Item code for order = Part. + Code

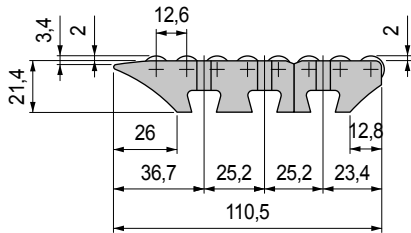
• Assembly Part. S0847 - S0848



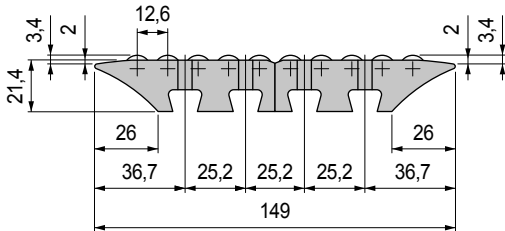
• Assembly Part. S0847 - S0849



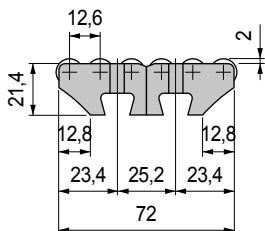
• Assembly Part. S0848 - S0849



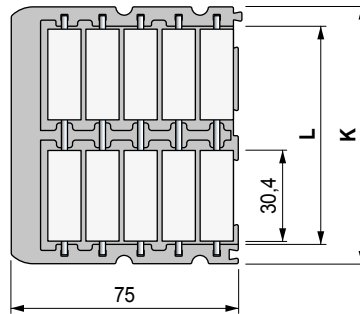
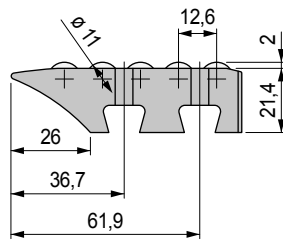
• Assembly Part. S0848 - S0848



• Assembly Part. S0849 - S0849



■ End transfer module (with lip)



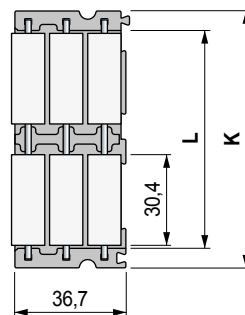
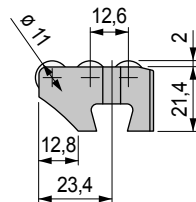
K mm	L mm	Code	Weight kg
85	72	645633	0,099
115	102	645643	0,135

- Material: frame in acetal Rex-HP™ (dark grey) very low coefficient of friction, rollers in acetal POM (white). Roller pins in austenitic stainless steel.
- Modularity: snap-on assembly with Part. S0846 - S0847 - S0849.
- Packaging: 10 pieces.

Part. S0848



■ End transfer module



K mm	L mm	Code	Weight kg
85	72	645613	0,056
115	102	645623	0,077

- Material: frame in acetal Rex-HP™ (dark grey) very low coefficient of friction, rollers in acetal POM (white). Roller pins in austenitic stainless steel.
- Modularity: snap-on assembly with Part. S0846 - S0847 - S0848.
- Packaging: 10 pieces.

Part. S0849



● Best Seller

● Standard

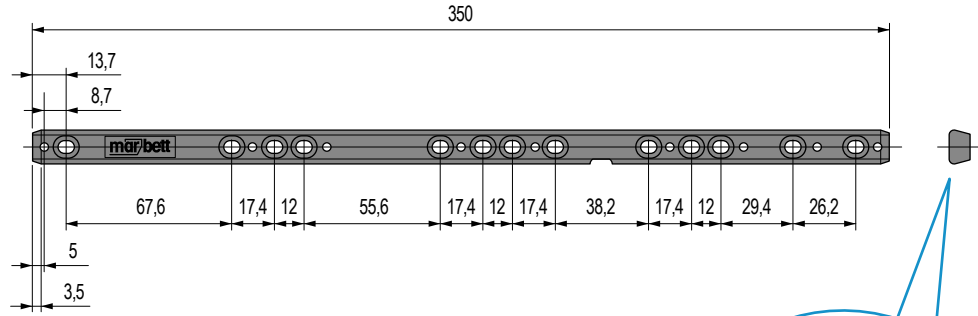
● On request: minimum quantity may apply. Consult our Customer Service for availability.

Item code for order = Part. + Code

Part. **S0850**



■ Assembly bar



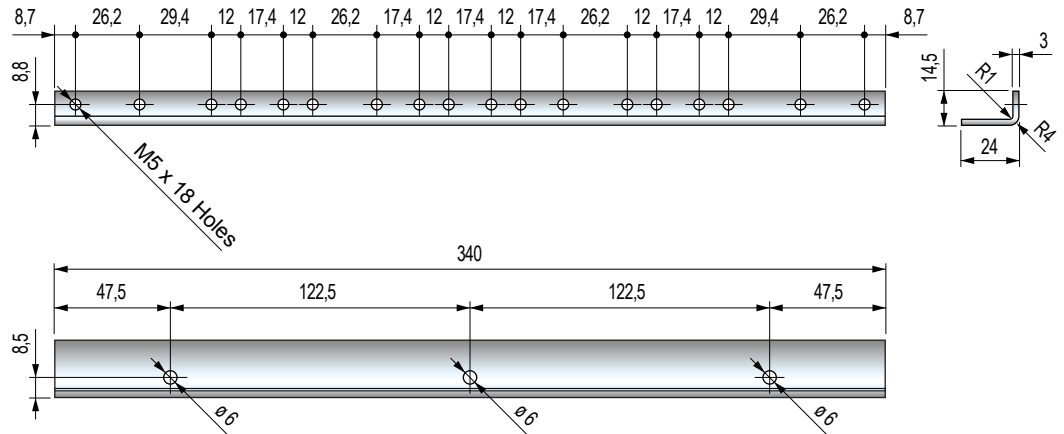
	Code	Weight kg
With screws M5 x 10	<b>646713</b>	
With screws M5 x 16	<b>646723</b>	0,04
Without screws	<b>646733</b>	

- Material: Reinforced polyamide PAFV special (black).
- The Bar is provided with marks to indicate the cutting positions to obtain the lengths on the following page.
- Packaging: 10 pieces.

Part. **S0864**

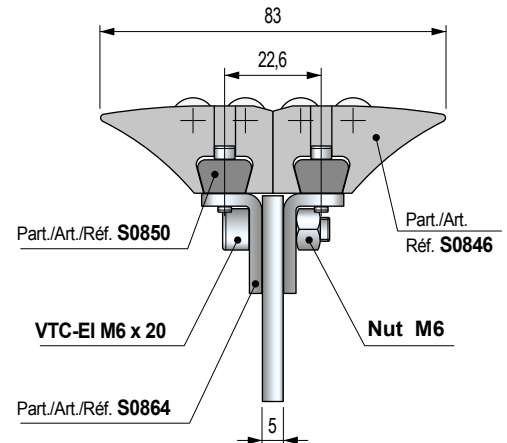


■ L Profile



	Code	Weight kg
	<b>646663</b>	0,25

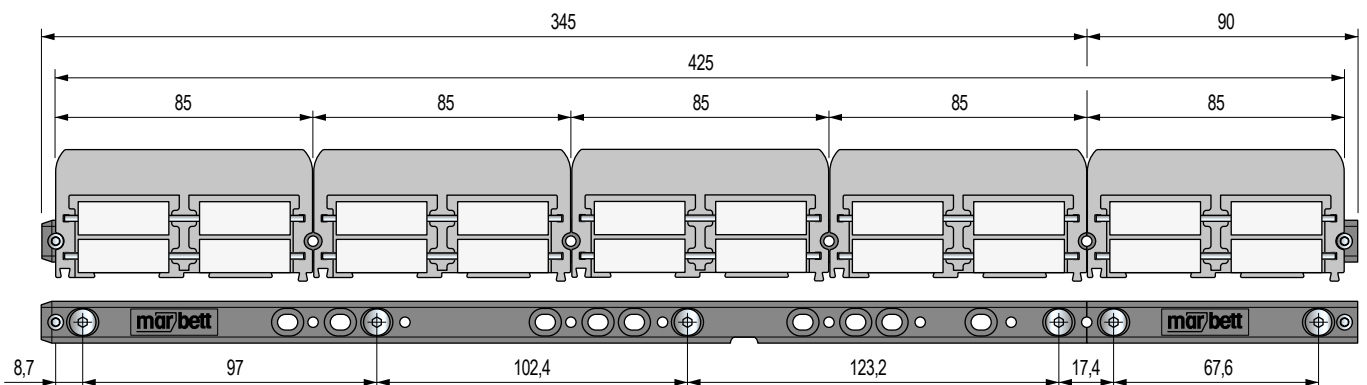
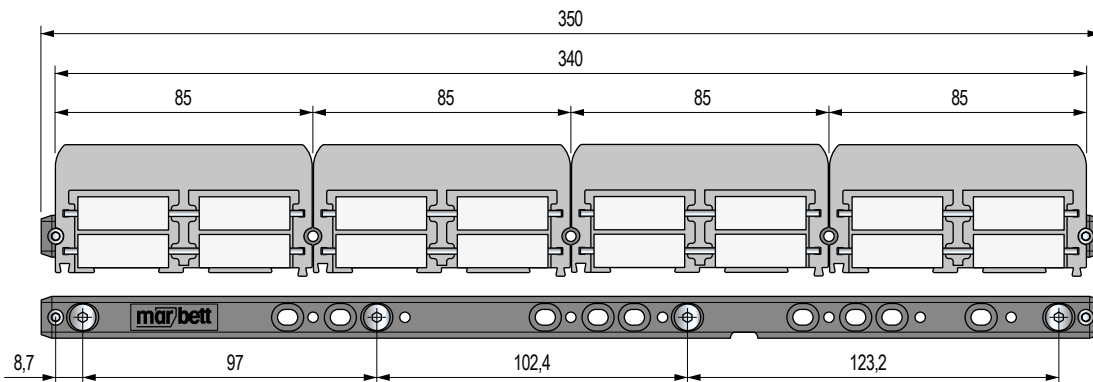
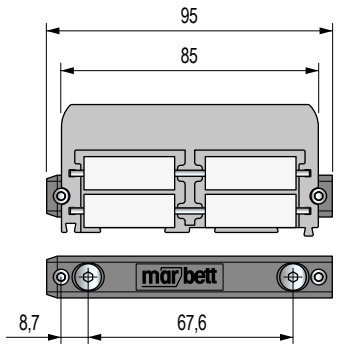
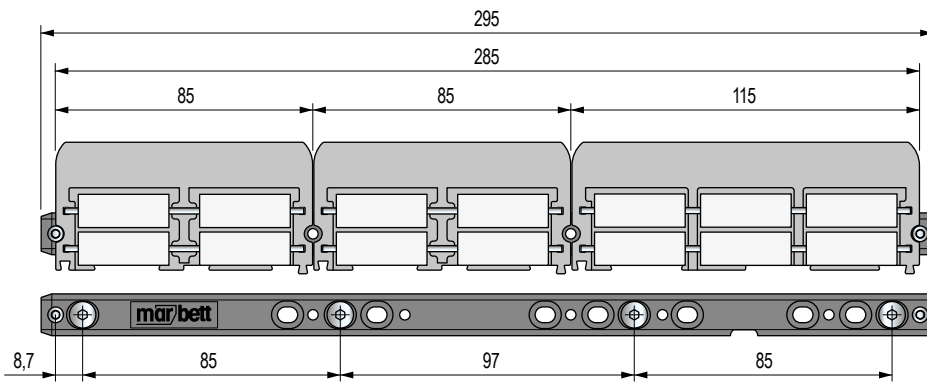
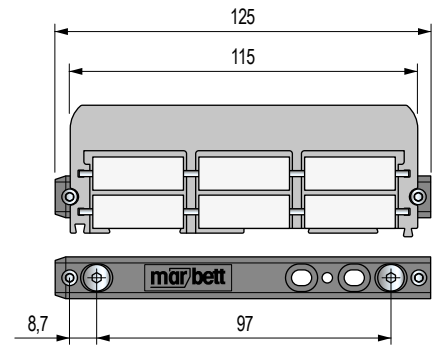
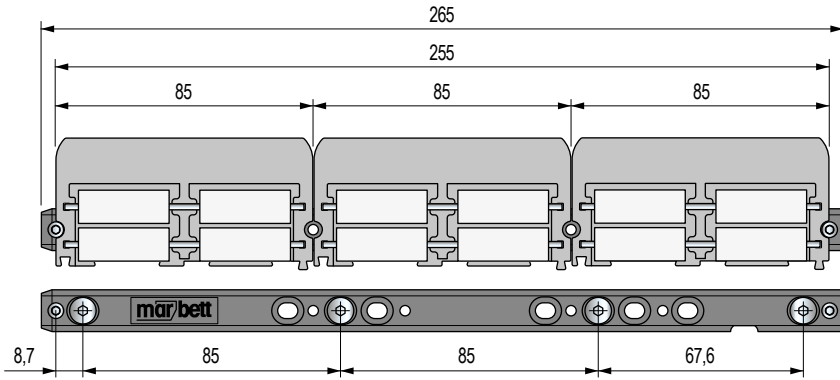
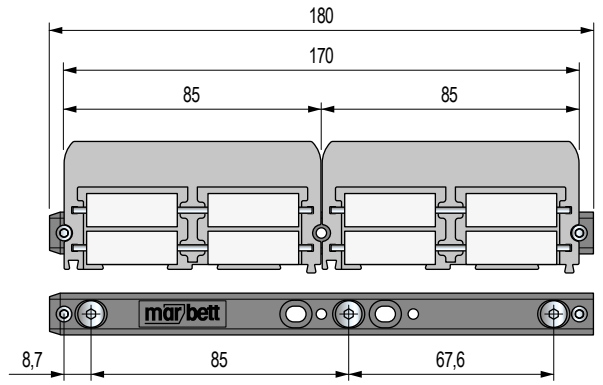
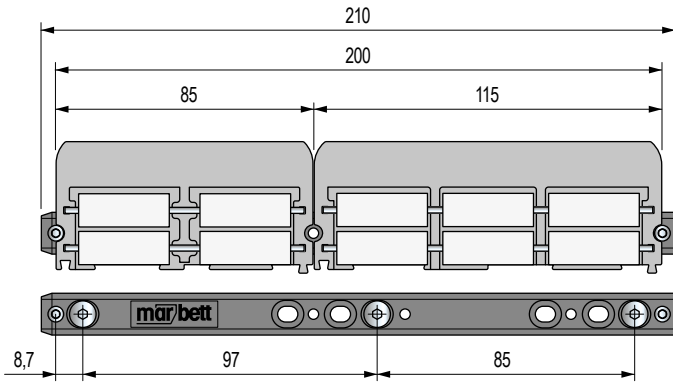
- Material: Profile and M6 screws in austenitic stainless steel, M6 nuts in nickel plated brass.
- Packaging: 2 pieces.



- Best Seller
- Standard
- On request: minimum quantity may apply. Consult our Customer Service for availability.

Item code for order = Part. + Code

# Modular transfer roller plate

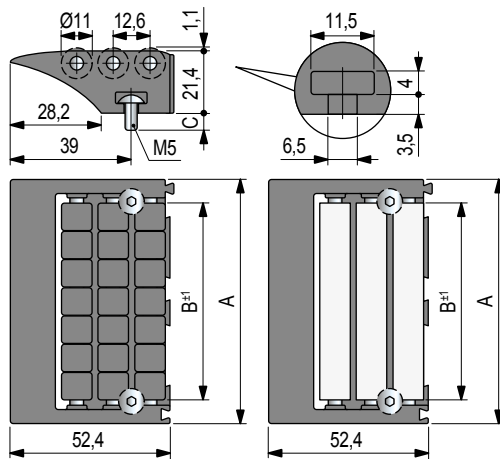


## Part. S0567



New versions with rollers in special low friction material (Aubergine), and with a single roller in PE (White)

### End transfer module (with lip)



#### Code

A mm	B mm	C mm	Frame and Rollers in acetal Rex-HP (dark grey)	Frame in acetal POM (black) Rollers in special material (aubergine)	Frame in acetal Rex-HP (dark grey) Single roller in PE (white)
			Without screws	688792	638833
85	67,6	7	688802	638843	638853
		13	688812	688832	638863
115	97	7	687382	638873	699002
		13	686472	638883	638893
			677322	638903	638913

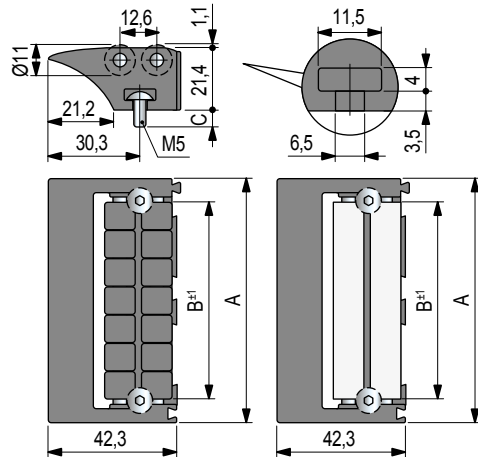
- Material: roller pins and screws in austenitic stainless steel.
- Modularity: snap-on assembly with Part. S0568.
- Packaging: 10 pieces.
- Weight: A=85: 0,09, A=115: 0,11.

## Part. S0672



New versions with rollers in special low friction material (Aubergine), and with a single roller in PE (White)

### End transfer module (with lip)



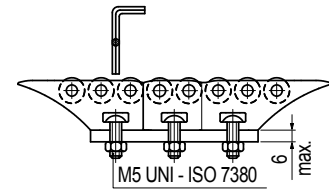
#### Code

A mm	B mm	C mm	Frame and Rollers in acetal Rex-HP (dark grey)	Frame in acetal POM (black) Rollers in special material (aubergine)	Frame in acetal Rex-HP (dark grey) Single roller in PE (white)
			Without screws	687412	638923
85	67,6	7	687422	638933	638943
		13	675582	638953	638963
115	97	7	687432	638973	699042
		13	687442	638983	638993
			675592	639003	639013

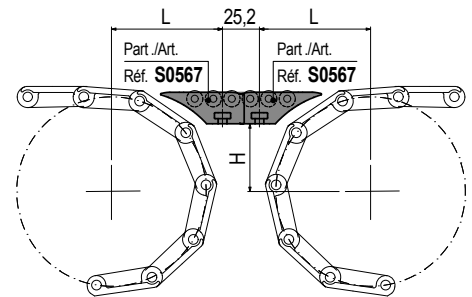
- Material: roller pins and screws in austenitic stainless steel.
- Modularity: snap-on assembly with Part. S0568.
- Packaging: 10 pieces.
- Weight: A=85: 0,09, A=115: 0,11.

### Fixing

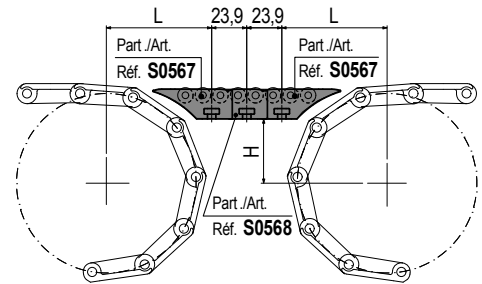
Screws are tightened with an hexagon key inserted between rollers.



### Head to tail transfer of small and light products.

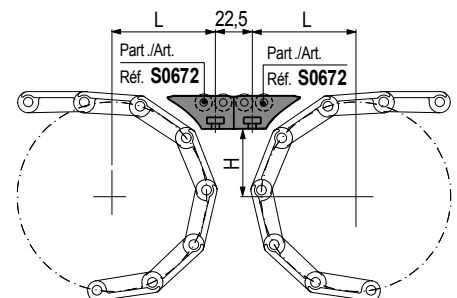


L and H see page S226.

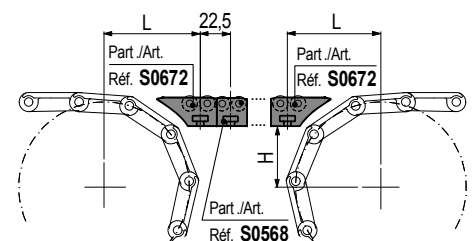


L and H see page S226.

### Compact version.



L and H see page S228.



L and H see page S228.

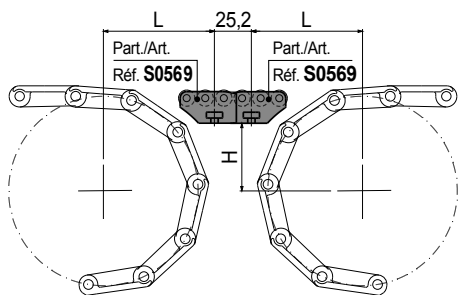
● Best Seller

● Standard

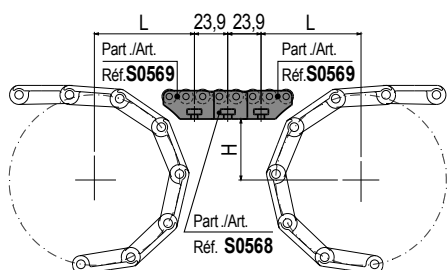
● On request: minimum quantity may apply. Consult our Customer Service for availability.

Item code for order = Part. + Code

• Head to tail transfer of big and heavy products.

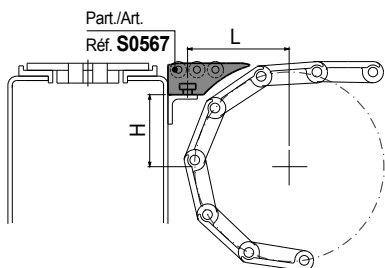


L and H see page S214.



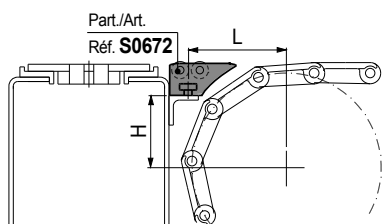
L and H see page S214.

• 90° transfer of small and light products.



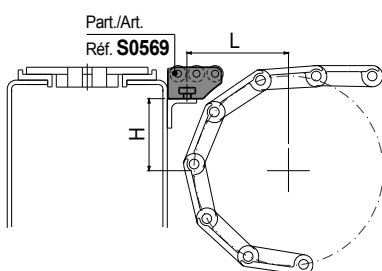
L and H see page S214.

Compact version.



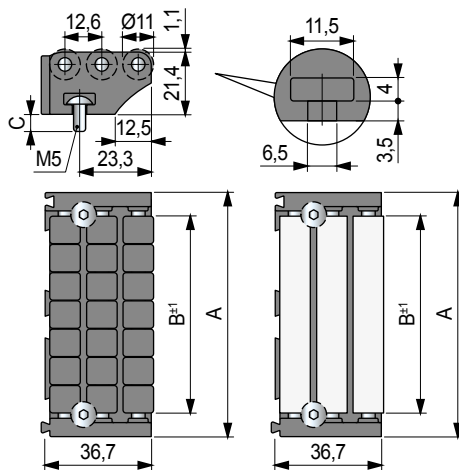
L and H see page S216.

• 90° transfer of big and heavy products.



L and H see page S214.

## End transfer module



			Code		
A mm	B mm	C mm	Frame and Rollers in acetal Rex-HP (dark grey)	Frame in acetal POM (black) Rollers in special material (aubergine)	Frame in acetal Rex-HP (dark grey) Single roller in PE (white)
85	67,6	Without screws	<b>605922</b>	<b>639023</b>	<b>603412</b>
		7	<b>686262</b>	<b>639033</b>	<b>639043</b>
		13	<b>601092</b>	<b>610682</b>	<b>639053</b>
115	97	Without screws	<b>687392</b>	<b>639063</b>	<b>699012</b>
		7	<b>686482</b>	<b>639073</b>	<b>639083</b>
		13	<b>677332</b>	<b>639093</b>	<b>639103</b>

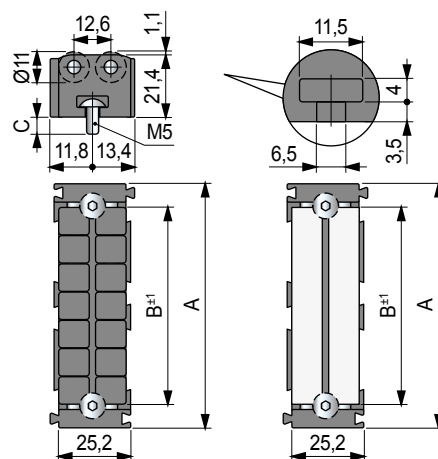
- Material: roller pins and screws in austenitic stainless steel.
- Modularity: snap-on assembly with Part. S0568.
- Packaging: 10 pieces.
- Weight: A=85: 0,09, A=115: 0,10.

## Part. S0569



New versions with rollers in special low friction material (Aubergine), and with a single roller in PE (White)

## End transfer module



			Code		
A mm	B mm	C mm	Frame and Rollers in acetal Rex-HP (dark grey)	Frame in acetal POM (black) Rollers in special material (aubergine)	Frame in acetal Rex-HP (dark grey) Single roller in PE (white)
85	67,6	Without screws	<b>605912</b>	<b>639113</b>	<b>603402</b>
		13	<b>601082</b>	<b>610672</b>	<b>639123</b>
115	97	Without screws	<b>687402</b>	<b>639133</b>	<b>699022</b>
		13	<b>677312</b>	<b>639143</b>	<b>639153</b>

- Material: roller pins and screws in austenitic stainless steel.
- Modularity: snap-on assembly with Part. S0567 - S0569 - S0672.
- Packaging: 20 pieces.
- Weight: A=85: 0,08, A=115: 0,10.

## Part. S0568



New versions with rollers in special low friction material (Aubergine), and with a single roller in PE (White)

● Best Seller

● Standard

● On request: minimum quantity may apply. Consult our Customer Service for availability.

Item code for order = Part. + Code

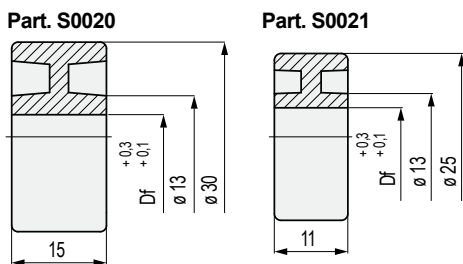


Part. **S0020**

Part. **S0021**



Rollers



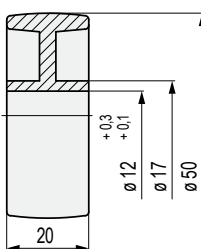
Code	Bore dia. Df mm
S002051410	7
S002151420	5,5
S002151430	9,5
S002151440	10,5

- Material: polyamide PA (black).
- Packaging: 200 pieces.

Part. **S0016**



Roller



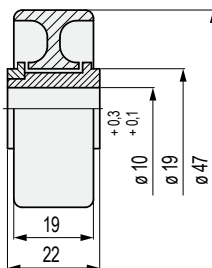
Code
51400

- Material: polyamide PA (black).
- Packaging: 100 pieces..

Part. **S0076**



Roller



Code
51390

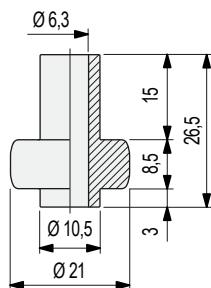
- Material: roller in acetal POM (orange), bush in polyamide PA (white).
- Packaging: 100 pieces.

- Best Seller
- Standard
- On request: minimum quantity may apply. Consult our Customer Service for availability.

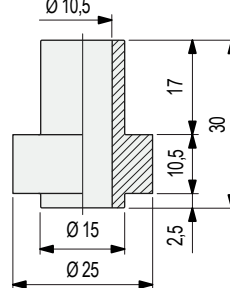
Item code for order = Part. + Code

## Rollers

Part. S0063



Part. S0095



Part. **S0063**

Part. **S0095**



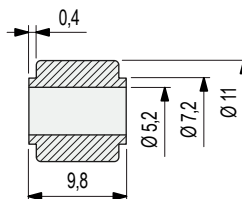
Code

**S006351370**

**S009551380**

- Material: acetal POM (white).
- Packaging: Part. S0063 (500 pieces), Part. S0095 (200 pieces).
- Part. S0063 can be used as spare part in roller guides Part. S0128-S0128 S-S0628 S.

## Roller



Part. **S0363**

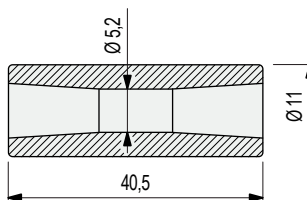


Code

**64434**

- Material: acetal Rex-LF® (light brown) very low coefficient of friction.
- Packaging: 5000 pieces.

## Roller



Part. **S0455**



Code

**614381**

- Material: acetal Rex-LF® (light brown) very low coefficient of friction.
- Packaging: 500 pieces.

● Best Seller

● Standard

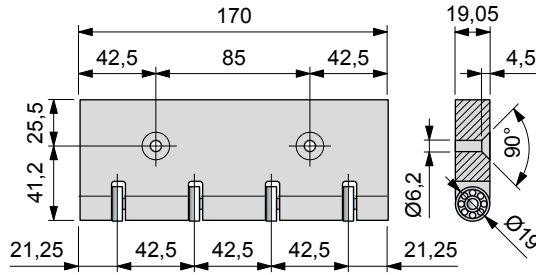
● On request: minimum quantity may apply. Consult our Customer Service for availability.

Item code for order = Part. + Code

Part. **S0905**



■ Modular "Nose - Over" bar standard profile

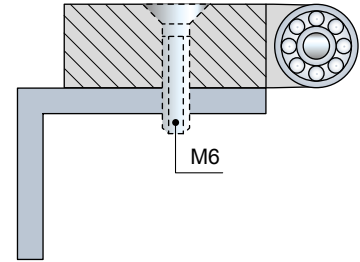


Code	Weight mm
<b>649633</b>	0,22

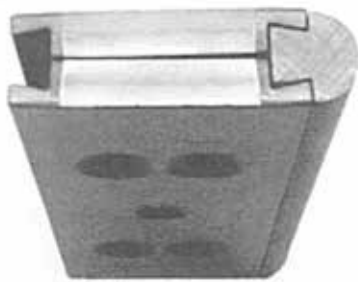
- Material: Polyethylene PE 500.000 (black).
- Packaging: 1 pieces.

• Modular nose - over bar standard

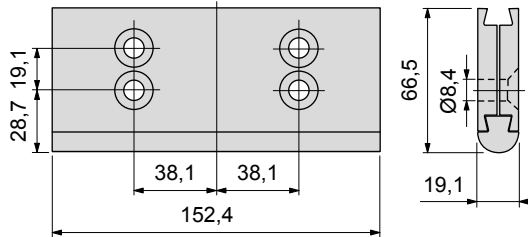
N2 M6 socked flat head cap screws UNI 5933.



Part. **S0905**



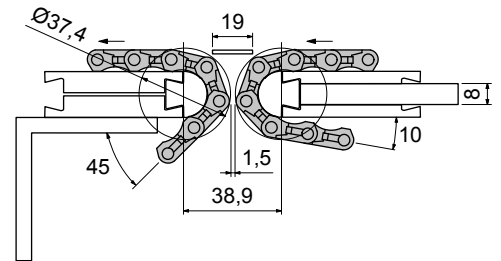
■ Modular "Nose - Over" bar standard profile



Code	Weight mm
<b>655711</b>	0,18

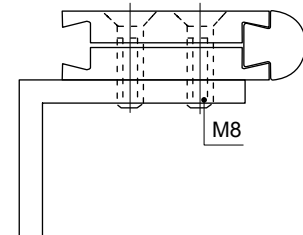
- Material: clamp in polyamide PA (black), sliding profile in Nylatron®.
- Packaging: 1 pieces.

• Assembly of Part. S0905



• Modular nose - over bar standard

N4 M8 socked flat head cap screws UNI 5933.



• Use of Part. S0905

Head to tail transfer with MatTop® chain Series 1500.



● Best Seller

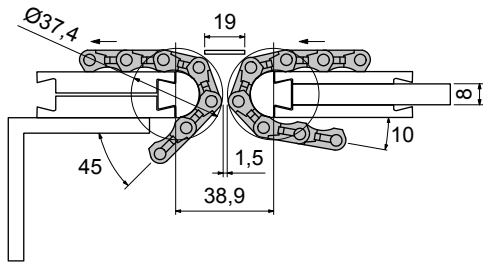
● Standard

● On request: minimum quantity may apply. Consult our Customer Service for availability.

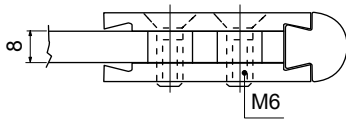
Item code for order = Part. + Code

## Part. S0905

### • Assembly of Part. S0905

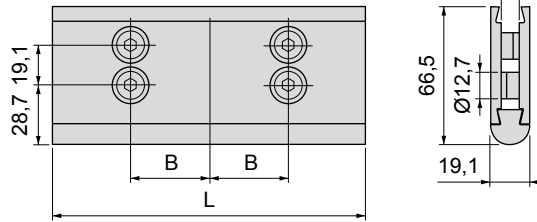


### • Assembly of "Nose - Over" bar with 8 mm plate

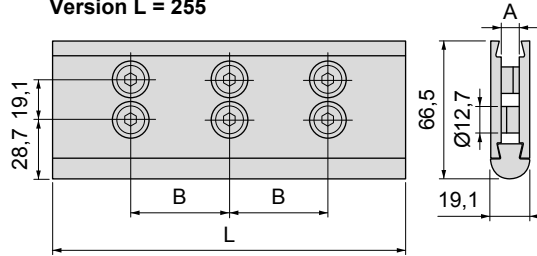


### ■ Modular "Nose - Over" bar low profile

#### Version L = 152,4 e 170



#### Version L = 255



L mm	B mm	Hardware	A	Code	Weight Kg
152,4	38,1	M6	8 mm	<b>655721</b>	0,18
		1/4-20	0,25 inch	655731	
170	42,5	M6	8 mm	<b>656301</b>	0,20
255	85	M6	8 mm	<b>656291</b>	0,31

- Material: clamp in polyamide PA (black), sliding profile in Nylatron®, steel hardware.
- Packaging: 1 pieces.

Best Seller

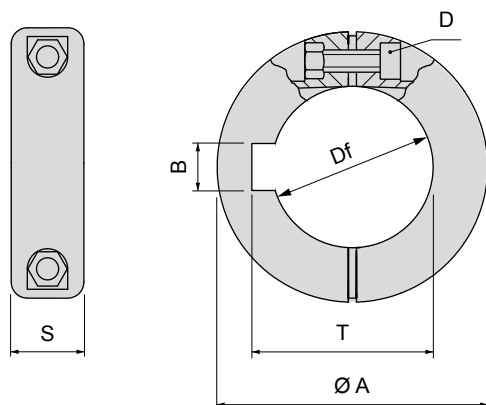
Standard

On request: minimum quantity may apply. Consult our Customer Service for availability.

Item code for order = Part. + Code

Part. **S0612**

■ Split shaft collar (with round bore)

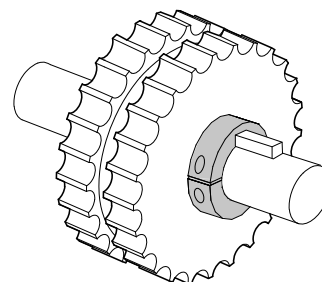


Bore dia.	Ø A	S	B	T	D	Code	Weight
mm	inch	mm	mm	mm	mm		kg
<b>Without seat keyway</b>							
12	-	30	11,7	-	-	M4 <b>655062</b>	-
-	1/2"	30	11,7	-	-	M4 <b>655072</b>	-
14	-	30	11,7	-	-	M4 <b>655082</b>	-
16	5/8"	35	11,7	-	-	M4 <b>655092</b>	-
18	-	40	14	-	-	M4 <b>614712</b>	0,018
-	3/4"	40	14	-	-	M4 <b>655102</b>	-
20	-	40	14	-	-	M4 <b>614722</b>	0,019
25	-	45	14	-	-	M4 <b>619452</b>	0,022
30	-	50	16	-	-	M4 <b>640602</b>	0,026
-	1 1/4"	50	16	-	-	M4 <b>608463</b>	-
35	-	63,5	18	-	-	M5 <b>621553</b>	0,030
-	1 1/2"	63,5	18	-	-	M5 <b>611283</b>	-
40	-	63,5	18	-	-	M5 <b>686232</b>	0,040
<b>With seat keyway</b>							
25	-	45	14	8	28,3	M4 <b>683812</b>	0,022
-	1"	45	14	6,4	28,58	M4 <b>655112</b>	-
30	-	50	16	8	33,3	M4 <b>614732</b>	0,026
-	1 1/4"	50	16	6,4	34,98	M4 <b>655122</b>	-
35	-	63,5	18	10	38,3	M5 <b>614742</b>	0,030
-	1 7/16"	63,5	18	9,58	41,02	M5 <b>605043</b>	-
-	1 1/2"	63,5	18	9,58	42,65	M5 <b>655132</b>	-
40	-	63,5	18	12	43,3	M5 <b>615012</b>	0,040

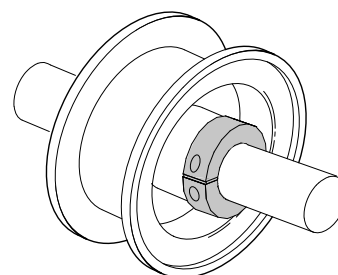
- Material: collar in reinforced polyamide PA FV (black), tightening bolt in austenitic stainless steel.
- Max recommended tightening torque: 0,3 Kgm.
- Packaging: 100 pieces.

• Assembly of Part. S0612 (with round bore)

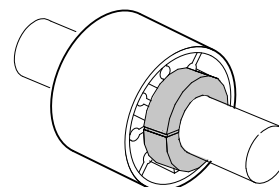
- With sprockets



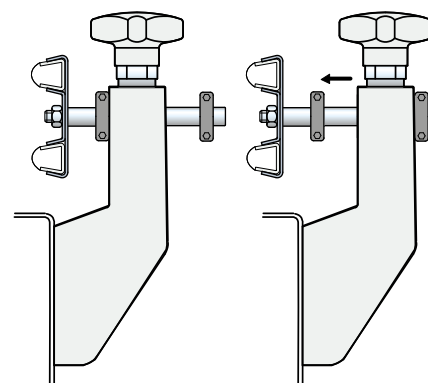
- With idler wheels



- With rollers



- With side brackets



● Best Seller

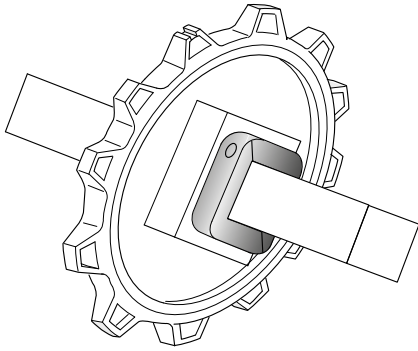
● Standard

● On request: minimum quantity may apply. Consult our Customer Service for availability.

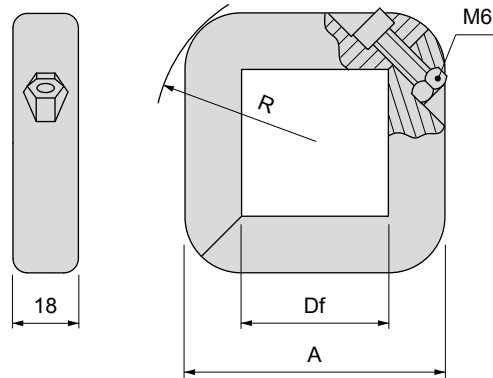
Item code for order = Part. + Code

• **Assembly Part. S0612 (with square bore)**

- Ideal for the locking of MatTop® sprockets.
- Version in reinforced Polyamide PA FV, gives better resistance at high temperatures.
- Version in reinforced Polypropylene PP FV, gives better resistance against chemical agents.



■ **Split shaft collar (with square bore)**



**Part. S0612**

Square bore Df		Material Polyamide PA FV (black)	Material Polypropylene PP FV (black)	A	R
mm	inch	Code		mm	mm
<b>Version with metric bore</b>					
40x40	-	<b>692952</b>	<b>689852</b>	72	44
60x60	-	<b>692962</b>	<b>689862</b>	95	58
<b>Version with inch bore</b>					
-	1 1/2"	<b>692942</b>	<b>689842</b>	72	44
-	2 1/2"	<b>692972</b>	<b>689872</b>	95	58

- Material tightening bolt: austenitic stainless steel.
- Max recommended tightening torque: 0,5 Kgm.
- Packaging: 24 pieces.

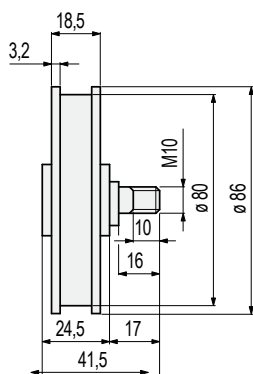
- **Best Seller**
- **Standard**
- **On request:** minimum quantity may apply. Consult our Customer Service for availability.

Item code for order = Part. + Code

## Part. S0079



### Winding tensioner



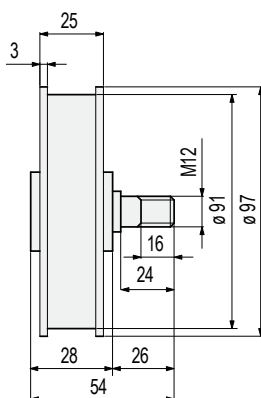
Load gr.	Winding travel mm	Direction of travel	Code
0+2000	2000	right	<b>672622</b>
		left	<b>672632</b>

- Noise reduction.
- Material: pulley in polyamide PA (orange), pin in brass.
- Packaging: 10 pieces.

## Part. S0075



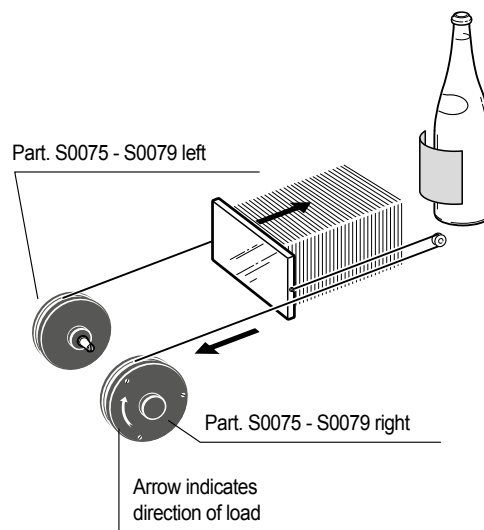
### Winding tensioner



Load gr.	Winding travel mm	Direction of travel	Code
0+4000	2500	right	<b>672642N</b>
		left	<b>672652N</b>
0+2800*	600	right	<b>672662N</b>
		left	<b>672672N</b>

- Noise reduction.
- \* = Unwinding the spring, the load is almost constant 10/20% (loss of load).
- Material: pulley in reinforced polyamide PA FV (black), pin in brass.
- Packaging: 10 pieces.

### Assembly of Part. S0079 - S0075



● Best Seller

● Standard

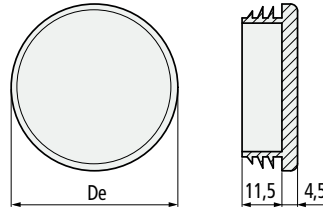
● On request: minimum quantity may apply. Consult our Customer Service for availability.

Item code for order = Part. + Code

• Assembly of Part. S0666



■ Closing caps (for round tubes)



Tube dimensions

Outside dia. mm	Thickness min. mm	Thickness max. mm	Code	De mm
Ø 38,1	1	3,5	671142	38
Ø 42,4 (1 <sup>3/4</sup> )	1	2,5	671152	42
Ø 48,3 (1 <sup>1/2</sup> )	1,2	3,6	671162	48

- Material: polyethylene PE (black).
- Packaging: 50 pieces.

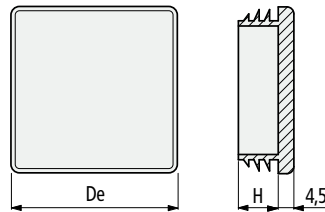
Part. **S0666**



• Assembly of Part. S0667



■ Closing caps (for square tubes)



Tube dimensions

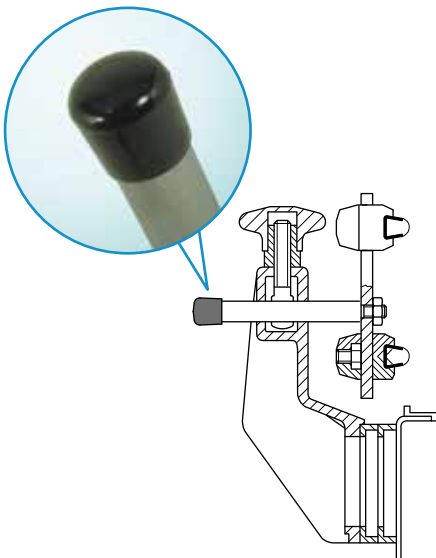
Outside mm	Thickness min. mm	Thickness max. mm	Code	De mm	H mm
∇ 40x40	1	3	671172	40	14
∇ 50x50	1	2,5	671182	50	14,5

- Material: polyethylene PE (black).
- Packaging: 50 pieces.

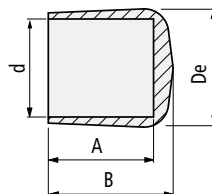
Part. **S0667**



• Assembly of Part. S0668



■ Safety caps (for round tubes)



Pin dia. d mm	Code		Ø De mm	A mm	B mm
12	-	611263	16	15	18,5
14	-	611273	18	16,5	21
16	671212	-	20	22	26
20	671222	-	24,5	21,5	25,5

- Material: PVC rubber.
- Packaging: 50 pieces.

Part. **S0668**



● Best Seller

● Standard

● On request: minimum quantity may apply. Consult our Customer Service for availability.

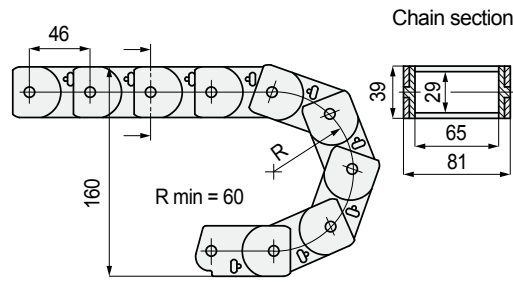
Item code for order = Part. + Code



## Part. S0112



### ■ Cable carriage chain

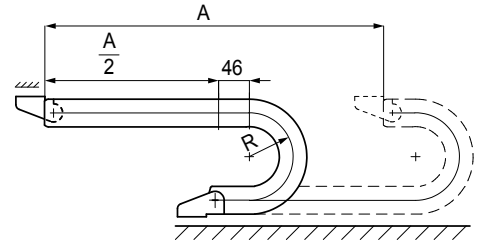


**Code**

51610

- Use: for carrying cables and hoses in the machine and protecting them from tensile and torsional stress.
- Material: polyamide PA (black).
- Assembly of engaged links: the engagement system allows a quick easy dismantling.
- Packaging: 5 metres.

### • Calculation of chain length L



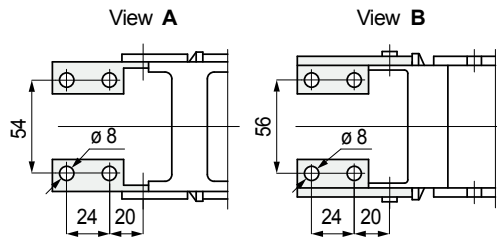
$$L = \frac{A}{2} + R + (46 \cdot 2)$$

- L = chain length (mm).
- A = chain stroke (mm).
- R = curving radius (mm).

## Part. S0114



### ■ Attachments

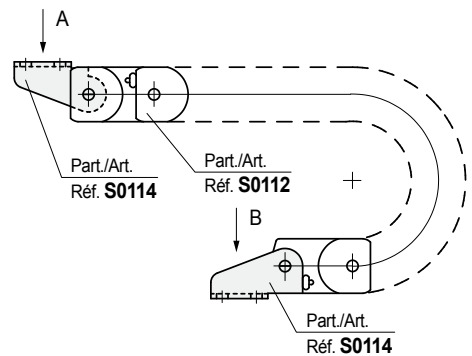


**Code**

59040

- Material: zinc plated steel.
- State of supply: complete with No. 4 connections.
- Packaging: 5 kit.

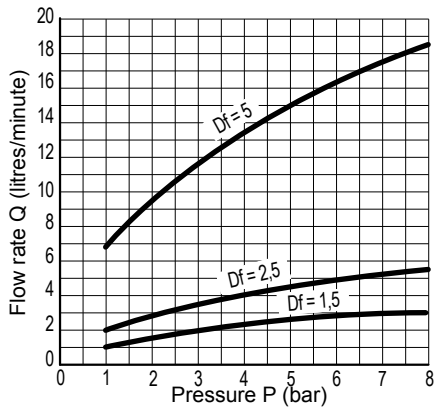
### • Assembly of Part. S0114



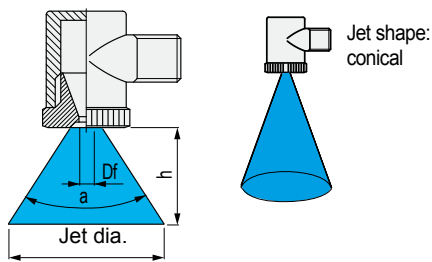
- Best Seller
- Standard
- On request: minimum quantity may apply. Consult our Customer Service for availability.

Item code for order = Part. + Code

### Capacity diagram of Part. S0019



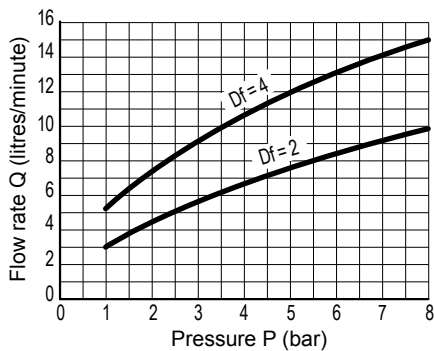
### Dimensions and jet shape of Part. S0019



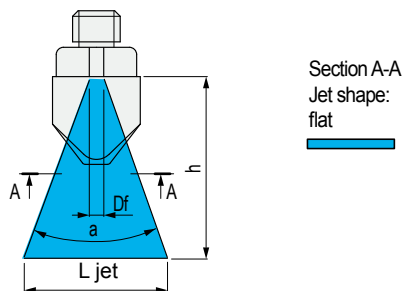
Bore dia. Df mm	outlet angle a	Jet dia. mm	distance h mm
1,5	18	160	500
2,5	22	200	500
5	60	600	500

Tests performed at 2 bar pressure.

### Capacity diagram of Part. S0018



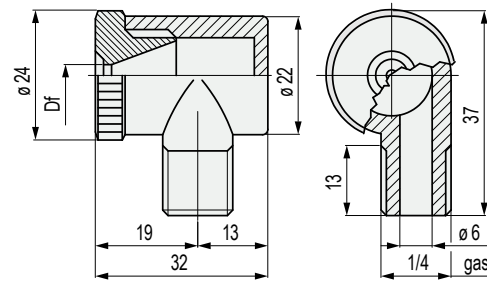
### Dimensions and jet shape of Part. S0018



Bore dia. Df mm	outlet angle a	Jet width L mm	distance h mm
2	28	250	500
4	18	160	500

Tests performed at 2 bar pressure.

### Nozzle conical shape



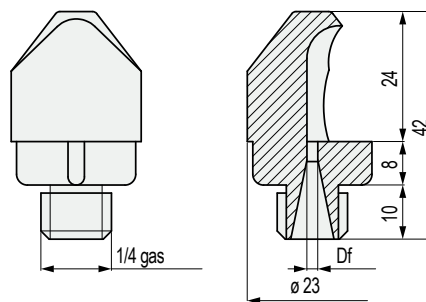
Bore dia. Df mm	Code
1,5	51450
2,5	51460
5	51470

- Use: washing equipment.
- Material: polyamide PA (black).
- Max operating temperature in contact with hot water: 70°C.
- Packaging: 100 pieces.

## Part. S0019



### Nozzle shell shape



Bore dia. Df mm	Code
2	51480
4	51490

- Use: washing equipment.
- Material: polyamide PA (white).
- Max operating temperature in contact with hot water: 70°C.
- Packaging: 200 pieces.

## Part. S0018

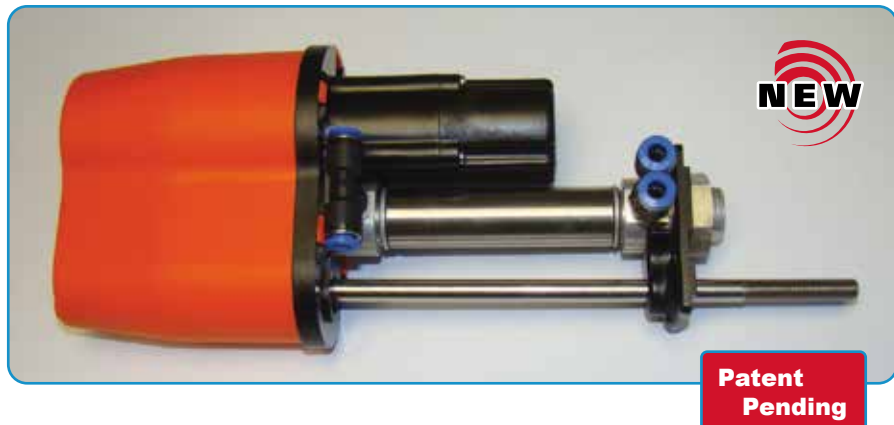


- Best Seller
- Standard
- On request: minimum quantity may apply. Consult our Customer Service for availability.

Item code for order = Part. + Code

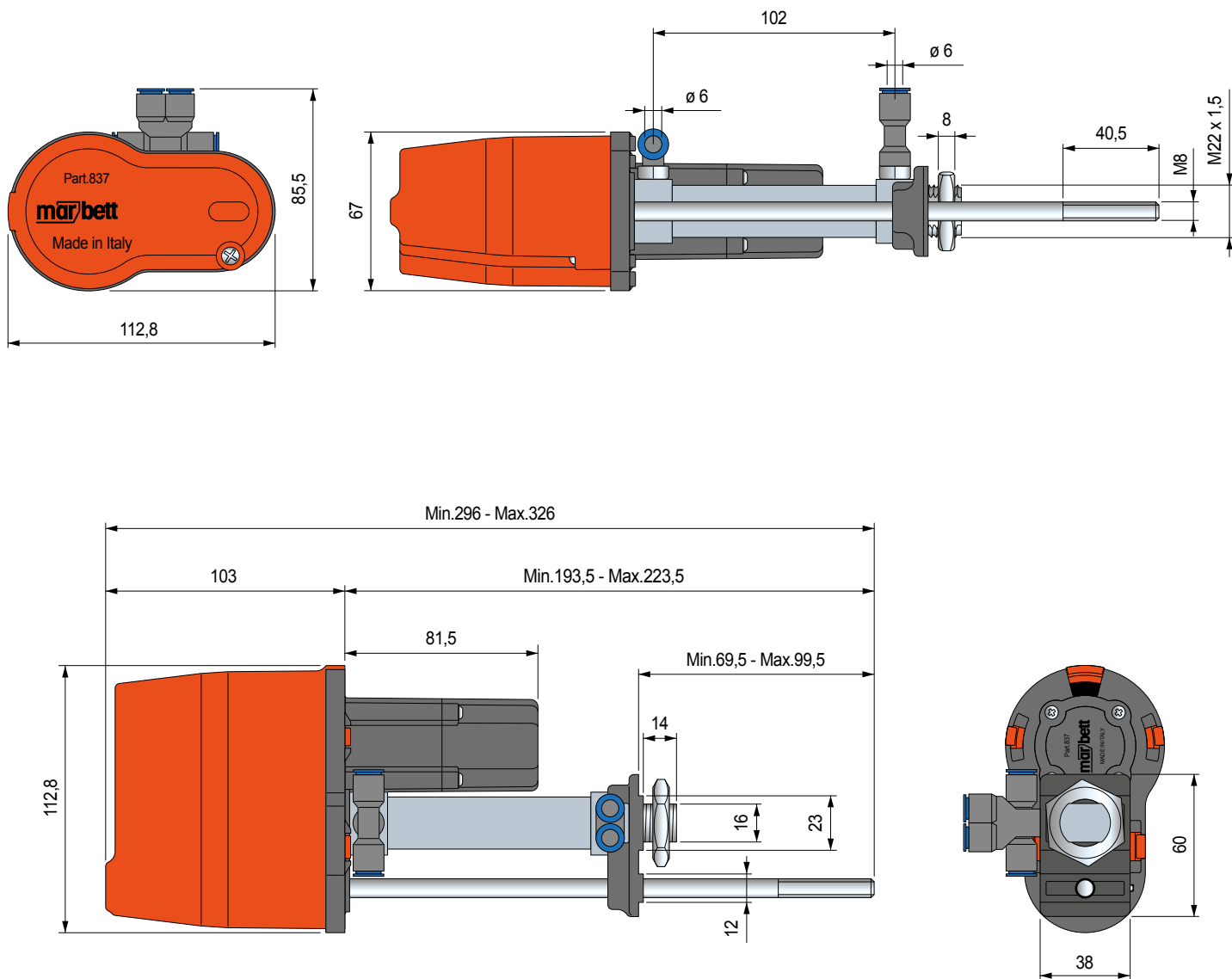
## Part. S0837

■ Technical information



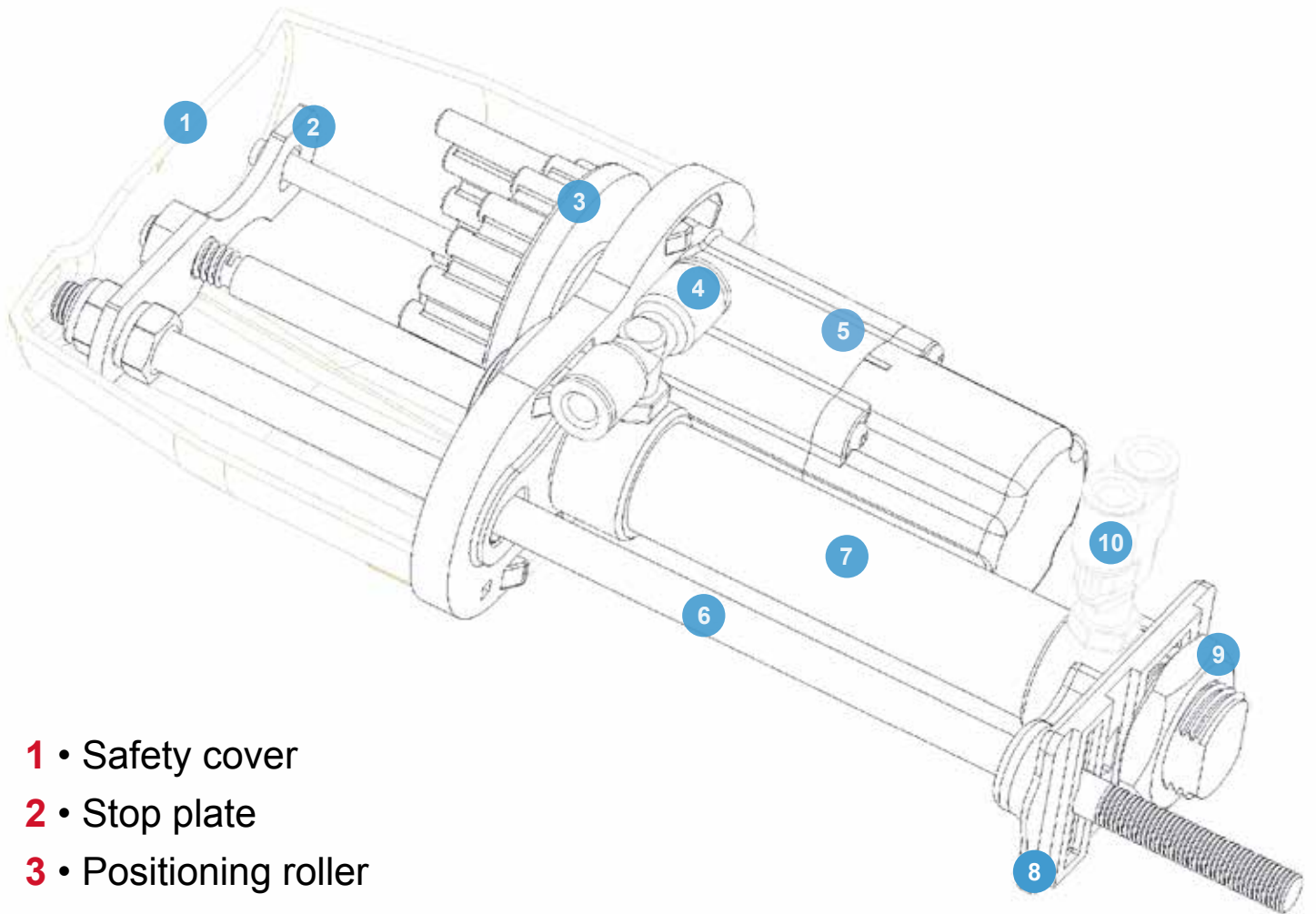
Code	Weight kg
640783	0,68

- Operating unit SGA™, on the positioning roller and fastening support in black acetalic POM.
- Safety cover in orange Polypropylene PP.
- Stop plate, rod clamp and M22 nut in stainless steel.
- Quick coupling in plastic.
- Mini-cylinder ISO 6432.
- Packaging: 4 pieces.



■ Component's description

Part. **S0837**

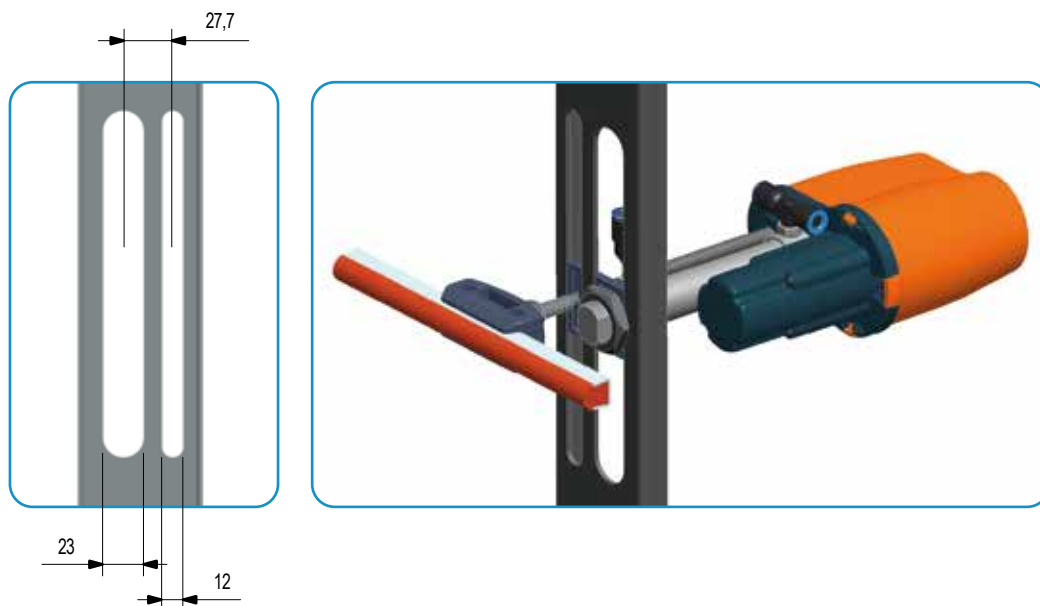


- 1 • Safety cover
- 2 • Stop plate
- 3 • Positioning roller
- 4 • Quick coupling "T" 1/8 GAS
- 5 • **SGA™** operating unit
- 6 • Rod clamp
- 7 • Mini-cylinder ISO 6432
- 8 • Mounting support
- 9 • M22 nut
- 10 • Quick coupling "Y" 1/8 GAS

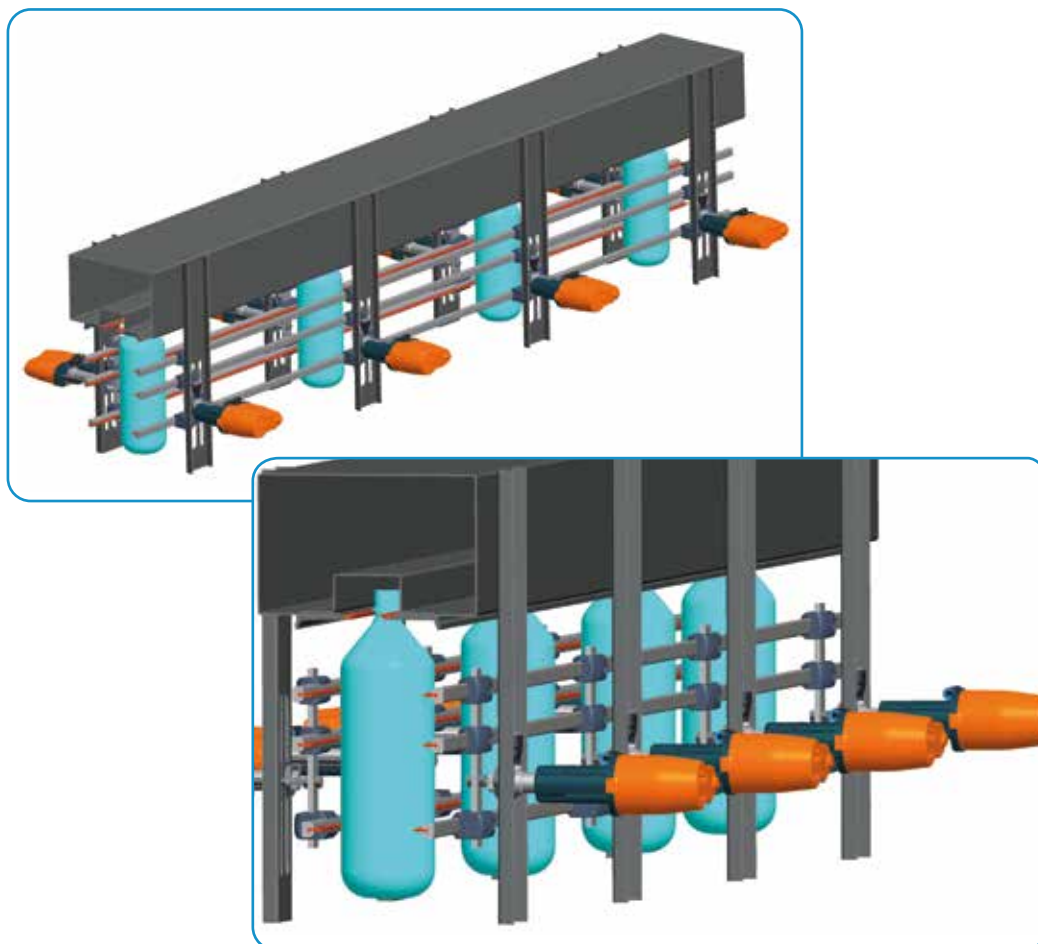
## Part. S0837

### ■ Installation on compressed air conveyors

Each unit can be assembled on bored or slotted supporting profiles, based on the sizes suggested in the figures below.



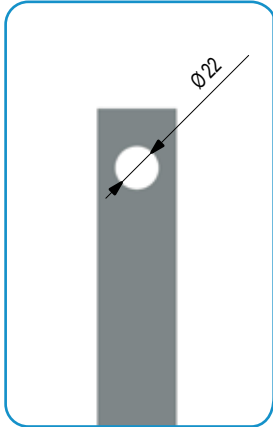
Example of installation of SGA™ system (Side Guide Adjustment™) on a compressed air conveyor. Working pressure  $\geq 4,5$  bar during adjustment.



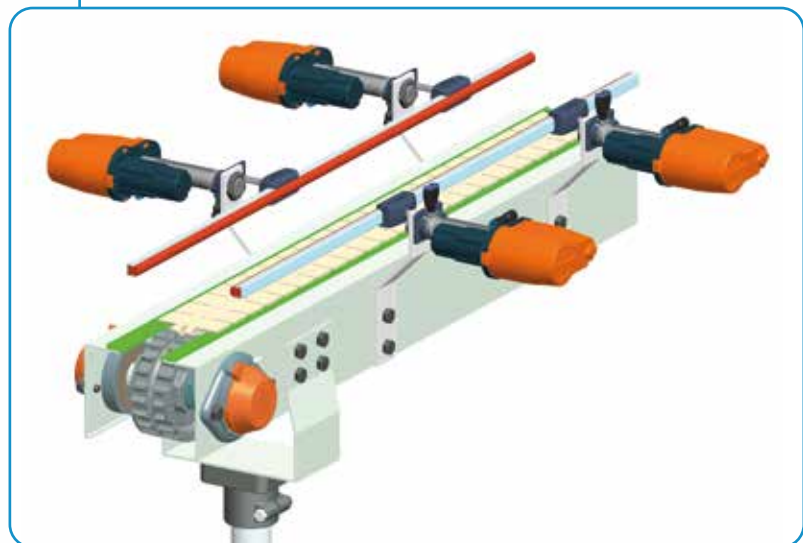
## ■ Installation on chain conveyors

Part. **S0837**

Each unit can be assembled on bored bars with holes according to the sizes indicated in the figures below.



Example of installation of SGA™ system (Side Guide Adjustment™) on a chain conveyor.  
Working pressure  $\geq 4,5$  bar during adjustment.

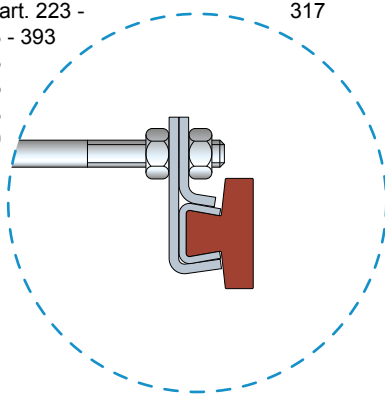


**Part. S0837**

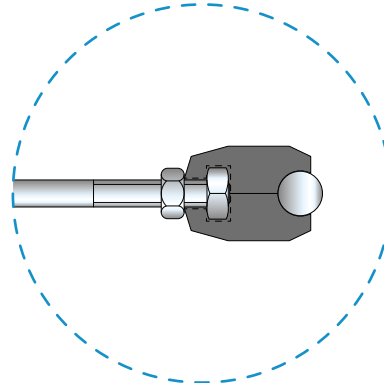
■ Technical information

Example of side guide assembly.

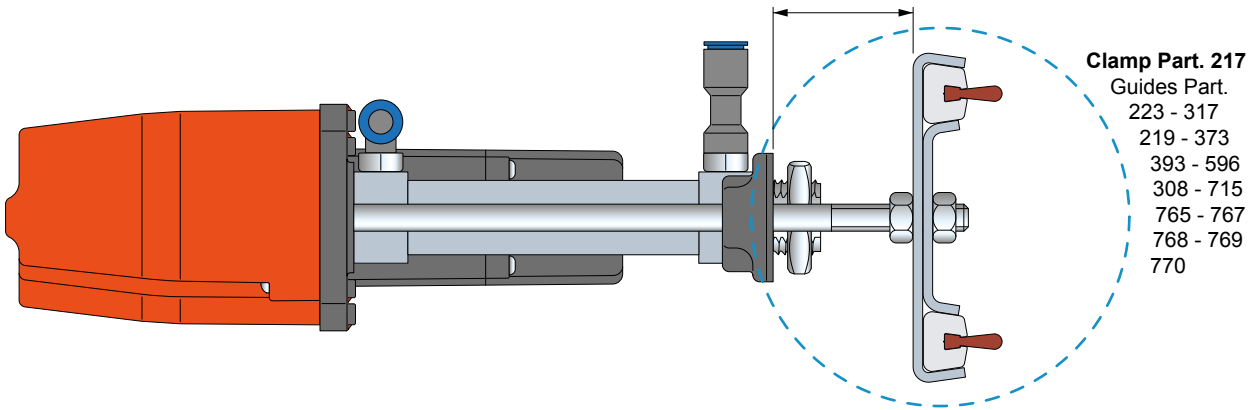
**Clamp Part. 215**  
Guides Part. 223 -  
219 - 373 - 393  
596 - 308  
715 - 765  
767 - 768  
769 - 770



**Clamp Part. 159 - 437 - 451**  
Round guides Dia. 8 - 10 - 12 - 14

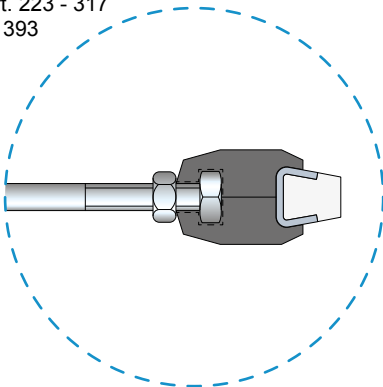


Leave min 20 mm for system movement

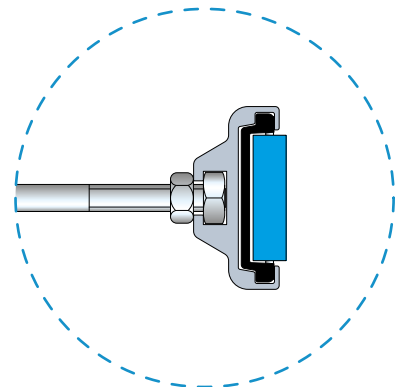


**Clamp Part. 217**  
Guides Part.  
223 - 317  
219 - 373  
393 - 596  
308 - 715  
765 - 767  
768 - 769  
770

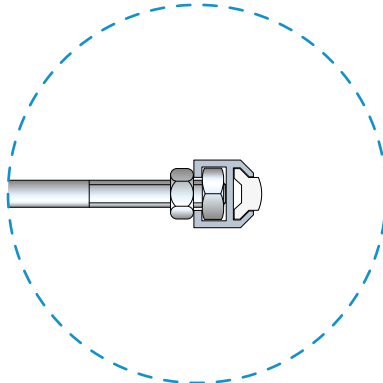
**Clamp Part. 211 - 446**  
Guides Part. 223 - 317  
219 - 373 - 393  
596 - 308  
715 - 765  
767 - 768  
769 - 770



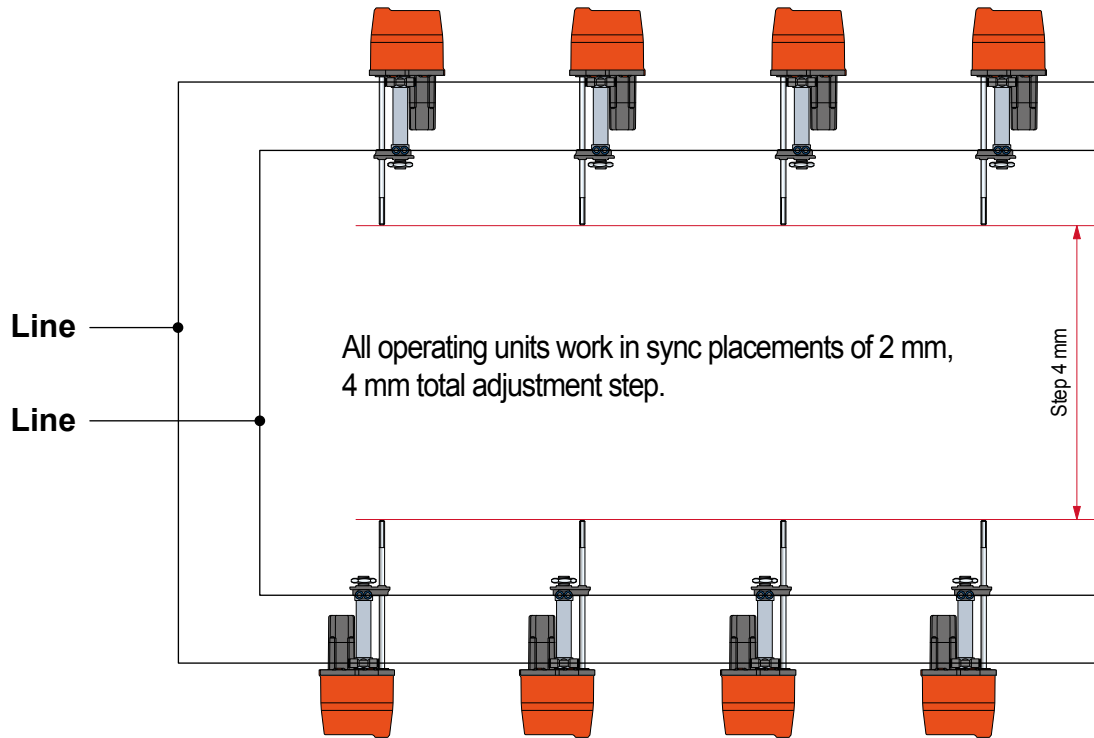
**M8 nut UNI 5589-65**  
Guides Part. 756 - 757 - 856 - 868



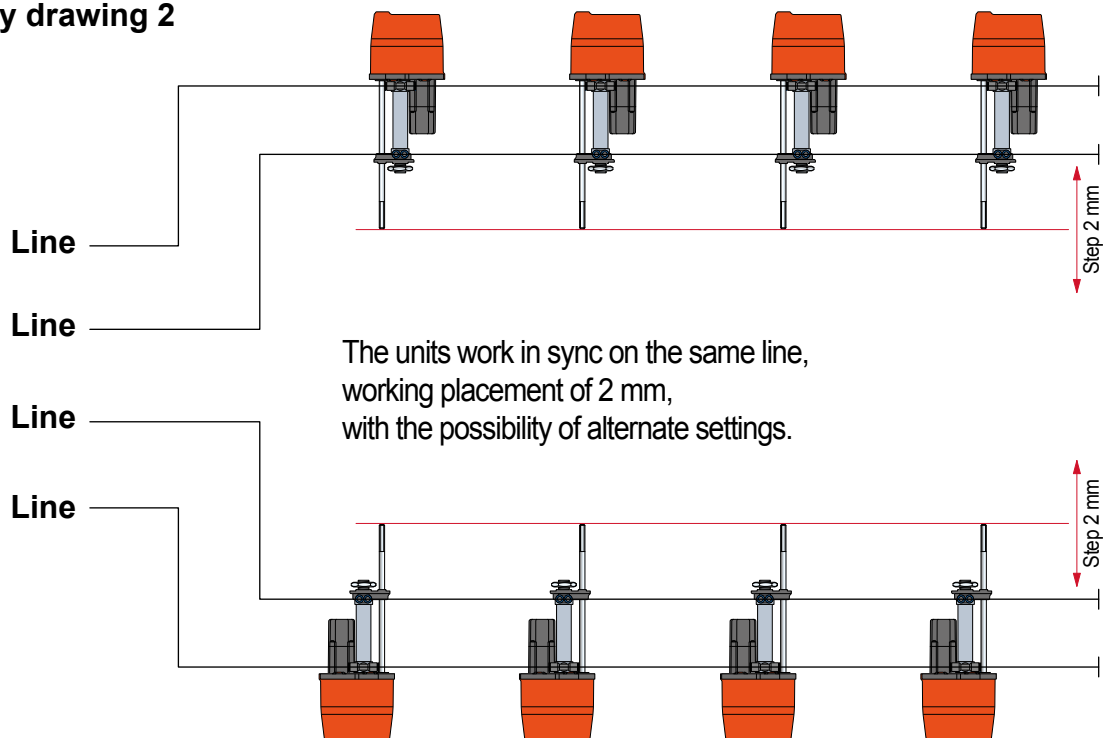
**M8 nut UNI 5589-65**  
Guides Part. 346 - 832



## Assembly drawing 1



## Assembly drawing 2





Calculation of thermal expansion

$$L_t = L_0 \cdot [ 1 + a \cdot (T - 20\text{ }^\circ\text{C}) ]$$

- L<sub>t</sub> = final length ( mm. )
- L<sub>0</sub> = initial length ( mm. )
- a = coefficient of linear expansion.
- T = operating temperature ( °C ).
- 20 °C = ambient temperature.

Example :  
 aguide having initial length L<sub>0</sub> = 1000 mm, coefficient of linear expansion 2X10<sup>-4</sup>, and an operating temperature of 70 °C, expands by :

$$L_t = 1000 \text{ mm} \cdot [ 1 + 0,0002 \cdot ( 70\text{ }^\circ\text{C} - 20\text{ }^\circ\text{C} ) ] = 1010 \text{ mm}$$

Material characteristics

**Polyamide PA**

• An extremely tough material with excellent dimensional stability even at relatively high temperatures • Good resistance to chemical attack • Inflammability : 94HB.

**Reinforced polyamide PA FV**

• This material offers improved ductile strength compared with PA polyamide, as well as improved rigidity and dimensional stability • Operating temperatures can also be higher • Inflammability : 94HB.

**Polypropylene PP**

• Ideal for use at high temperatures • High resistance to chemical attack • Reduced mechanical characteristics • Inflammability : 94HB.

**Reinforced polypropylene PP FV**

• This material offers better dimensional stability and rigidity than PP polypropylene as well as better mechanical strength • Inflammability : 94HB.

**Polyethylene PE ( UHMWPE )**

• This is the plastic material which is most suited to the manufacture of lateral guides subject to sliding contact, thanks to an extremely low coefficient of friction, excellent wear resistance and zero absorption ( important in water lubricated applications ) • PE polyethylene also offers high resistance to chemical attack and good sound absorbing qualities • Inflammability : 94HB.

**Polyethylene ULF ( UHMWPE + solid lubricant )**

• Compared to polyethylene PE offers a reduced friction coefficient, with a consequent higher wear resistance • Do not leave traces on the container • Inflammability : 94 HB.

**Acetal POM**

• Acetalic resins are among the strongest and most resistant thermoplastic materials known • The most important characteristics of these materials are excellent ductile strength, impact resistance, rigidity, and dimensional stability • These materials also resist humidity and attack by most chemical agents • The materials cannot be used in continuous contact with steam or hot water at temperatures above 60° C • Inflammability : 94 HB.

**Acetal Rex LF®**

• This material conserves the same characteristics of POM acetalic • The addition of a self-lubricating agent, however, gives an extremely low coefficient of friction and excellent wear resistance • Rex LF® acetalic has the same limitations as POM acetalic as far as continuous contact with hot water and steam are concerned • Inflammability : 94HB.

**Austenitic stainless steel**

• Austenitic stainless steel offering excellent corrosion and oxidation resistance • Ideal for the food industry, dairy and cheese production, beer production, and the pharmaceutical industry • Austenitic stainless steel is cold rolled and responsive to magnets.

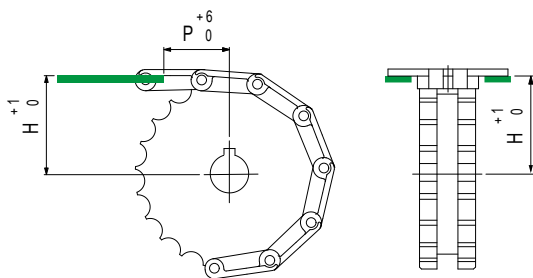
**Zinc plated steel**

• Galvanically zinc coated steel • Galvanization thickness 7 microns.

**Nickel plated brass**

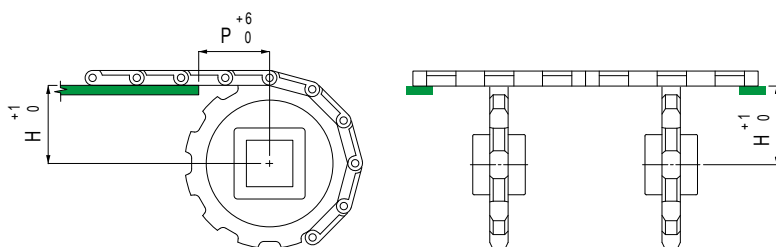
• Good resistance to chemicals • Humid and wet environments.

## Position of chain guide profiles for TableTop® chains



Chain	H mm	P mm
512 - 802 - 805 - 812 - 815 - 820 - 821 - 881 - 881 M - 8811 - 8811 TAB - SLBP 821	( Dp : 2 ) + 3,2	40
831 - XLBP 831		
880 - 880 TAB - 880 BO	( Dp : 2 ) + 3,6	40
879 - 879 TAB - 879 BO - LBP 879 BO		
882 - 882 TAB - SLBP 882 TAB - LBP 883	( Dp : 2 ) + 4,8	40
866 - 963 - 1864 - 1873 - 1874 - 2873 - 3873		
1700K - 1700TABK - AC1700K - 1701 - 1790K - 1701TABK - 1702 - 1716K - 1710K - 1710TABK - 1713K - 1713TABK	( Dp : 2 ) - 12	50
Dp = primitive diameter of drive sprocket - mm.		

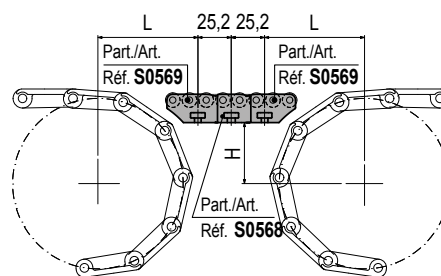
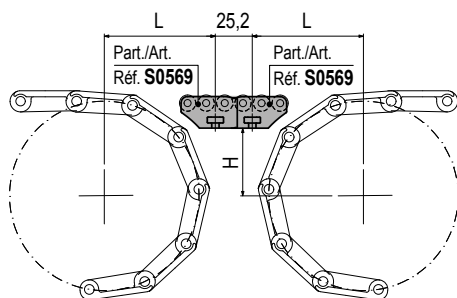
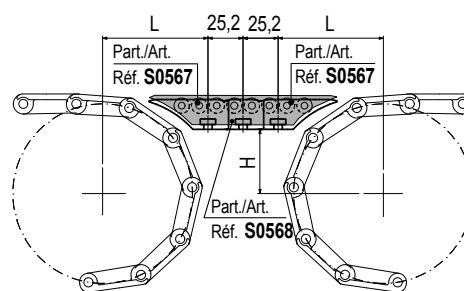
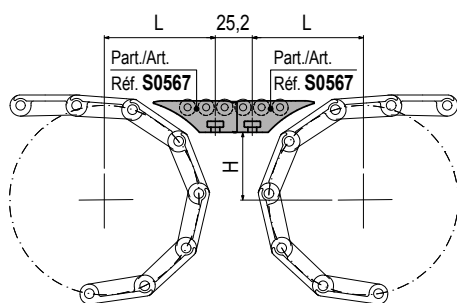
## Position of chain guide profiles for MatTop® chains



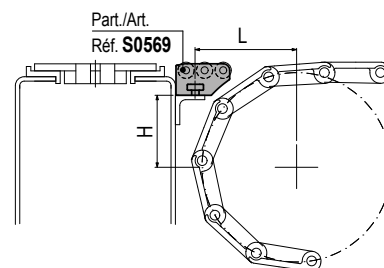
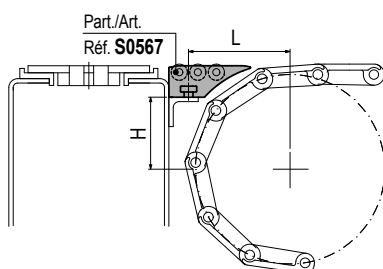
Chain	H mm	P mm
1505 - 1506	( Dp : 2 ) - 4,95	15
2100	( Dp : 2 ) - 4,37	25
4705 - 4706 - 4707 - 4705 Vacuum - 4803 - 5705 - 5706	( Dp : 2 ) - 6,35	38
4812	( Dp : 2 ) - 5,2	38
4809	( Dp : 2 ) - 7,9	57
5935 - 5936 - 5935 Vacuum - 8505 - 8506	( Dp : 2 ) - 4,35	19
5996 - 5997 - 5998	( Dp : 2 ) - 9,1	57
6390 - 6391 - 6392	( Dp : 2 ) - 7,0	50
7705 - 7706	( Dp : 2 ) - 6,35	25
7956	( Dp : 2 ) - 6,35	32
Dp = primitive diameter of drive sprocket - mm.		

Position of transfer modules  
Part. S0567 - S0568 - S0569  
S0847 - S0848 - S0849

• Head to tail transfer



• 90° transfer



H, L dimensions for  
TableTop® chains

Chain	Z 15		Z 17		Z 19		Z 21		Z 23		Z 25		Z 27		Z 29	
	H	L	H	L	H	L	H	L	H	L	H	L	H	L	H	L
802 - 805 - 812 - 815 - 881	30,9	64,6	36,8	65,8	42,8	67,0	48,7	68,1	54,7	69,2	60,7	70,2	66,7	73,0	72,7	75,3
881 M - 8811 - 8811 TAB	30,9	64,6	36,8	65,8	42,8	67,0	48,7	68,1	54,7	69,2	60,7	70,2	66,7	73,0	72,7	75,3
512	45,2	67,4	53,2	68,9	61,3	70,3	69,3	74,0	-	-	-	-	-	-	-	-
1864 - 1874 - 4874	37,3	73,2	43,3	74,8	49,4	76,2	55,4	77,6	61,5	75,4	67,5	77,9	-	-	-	-
820	31,5	65,4	37,4	66,7	43,4	67,9	49,3	69,0	55,3	70,1	61,3	71,3	67,3	73,7	73,3	76,0
821	32,3	65,8	38,2	67,1	44,2	68,3	50,1	69,4	56,1	70,6	62,1	71,6	68,1	72,7	74,1	73,7
843	17,1	65,9	21,2	67,1	25,2	68,2	29,2	69,3	33,2	70,3	37,3	71,3	-	-	-	-
845	17,1	63,9	21,2	64,9	25,2	66,0	29,2	67,0	33,2	67,9	37,3	68,8	-	-	-	-
963	37,3	73,5	43,3	75,0	49,4	76,4	55,4	77,8	61,5	75,5	67,5	78,1	-	-	-	-
1873 - 1853 - 853	37,3	68,6	43,3	69,9	49,4	71,2	55,4	72,3	61,5	72,5	67,5	74,9	73,5	77,3	-	-
1843	17,9	63,9	22,0	64,9	26,0	66,0	30,0	66,9	34,0	67,9	38,1	68,8	-	-	-	-
812 Rub. Top - 881 Rub. Top	32,9	65,0	38,8	66,2	44,8	67,3	50,7	68,4	56,7	69,5	62,7	71,4	68,7	73,8	74,7	76,1
802 Rub. Top	33,9	65,2	39,8	66,4	45,8	67,5	51,7	68,6	57,7	69,7	63,7	71,8	69,7	74,2	75,7	76,5
HFP 820	33,5	65,1	39,4	66,3	45,4	67,5	51,3	68,6	57,3	69,6	63,3	71,6	69,3	74,0	75,3	76,3
HFP 821	34,3	65,3	40,2	66,5	46,2	67,6	52,1	68,7	58,1	69,7	64,1	72,0	70,1	74,3	76,1	76,6
HFP 867 - HFP 1877 - HFP 1873	40,3	66,5	46,3	67,6	52,4	68,7	58,4	69,8	64,5	72,1	70,5	74,5	76,5	76,8	-	-
SLBP 821	47,3	67,8	53,2	68,9	59,2	69,9	65,1	72,4	71,1	74,7	77,1	77,0	-	-	-	-

Chain	Z 9		Z 10		Z 11		Z 12		Z 13		Z 14		Z 15	
	H	L	H	L	H	L	H	L	H	L	H	L	H	L
880 TAB, 879 TAB	40,8	66,6	46,7	67,7	52,7	68,8	58,7	69,9	64,7	72,2	70,7	74,6	76,7	76,8
882 TAB	42,7	66,9	48,6	68,1	54,6	69,1	60,6	70,2	-	-	-	-	-	-
LPC 279	50,2	68,3	56,1	69,4	62,1	71,2	68,1	73,5	74,1	75,8	-	-	-	-
HFP 880 TAB	42,8	67,0	48,7	68,1	54,7	69,2	60,7	70,2	66,7	73,0	72,7	75,3	-	-
HFP 882 TAB	45,2	67,4	51,1	68,5	57,1	69,6	63,1	71,6	-	-	-	-	-	-
SLBP 882 TAB	57,2	69,6	63,1	71,6	69,1	73,9	75,1	76,2	-	-	-	-	-	-

Chain	Z 12		Z 16		Z 21		Z 23		Z 24		Z 25		Z 27		Z 32	
	H	L	H	L	H	L	H	L	H	L	H	L	H	L	H	L
1505 - 1506	11,5	60,0	20,9	62,3	-	-	-	-	40,0	66,4	-	-	-	-	59,0	69,9
4705 - 4706 - 5705 - 5706	57,5	69,6	-	-	48,5	68,0	54,5	69,1	57,5	69,6	60,5	70,2	66,5	72,9	-	-
HFP 5705	-	-	-	-	51,0	68,5	57,0	69,9	60,0	70,1	63,0	71,5	69,0	73,9	-	-

H, L dimensions for MatTop® chains

Chain	Z 7		Z 8		Z 9		Z 10		Z 11		Z 12		Z 19		Z 19	
	H	L	H	L	H	L	H	L	H	L	H	L	H	L	H	L
2100	-	-	-	-	-	-	-	-	27,0	63,7	-	-	9,2	59,3	59,1	69,9
4812	-	-	32,5	64,9	-	-	-	-	-	-	56,3	69,4	-	-	-	-
5996	52,5	68,8	-	-	70,1	74,3	-	-	-	-	-	-	-	-	-	-
6390 - 6391 - 6392	-	-	49,8	68,3	-	-	65,4	72,5	-	-	-	-	-	-	-	-

Chain	Z 10		Z 16		Z 18		Z 21		Z 24		Z 25		Z 31			
	H	L	H	L	H	L	H	L	H	L	H	L	H	L		
5935 - 5936 - 8505 - 8506	13,0	60,4	-	-	-	-	-	-	55,6	69,3	58,6	69,8	76,9	76,9		
7705 - 7706	-	-	49,0	68,1	57,0	69,6	69,1	73,9	-	-	-	-	-	-		

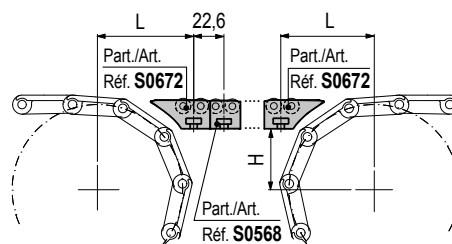
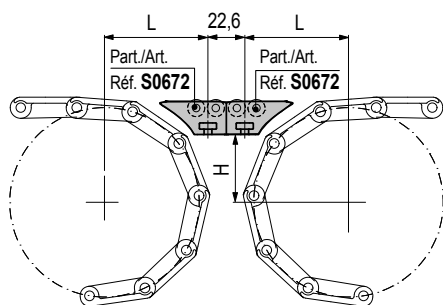
Chain	Z 28			
	H	L		
500	38,6	66,1		
505	40,6	66,5		

H, L dimensions for MCC chains

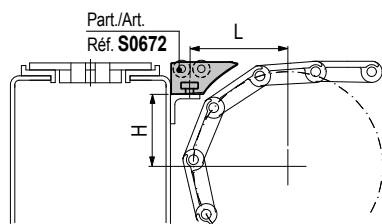
Chain	Z 10		Z 12		Z 13		Z 15		Z 16		Z 18		Z 20		Z 21	
	H	L	H	L	H	L	H	L	H	L	H	L	H	L	H	L
1000	-	-	31,0	64,6	-	-	-	-	47,0	67,8	55,0	69,2	63,1	70,6	-	-
1005	-	-	-	-	-	-	-	-	-	-	57,0	69,6	-	-	69,1	73,9
1050	-	-	-	-	-	-	-	-	54,8	69,2	62,8	71,5	-	-	-	-
1055	-	-	-	-	-	-	-	-	58,8	69,9	66,8	73,1	-	-	-	-
1255	35,3	65,5	-	-	50,2	68,4	60,3	70,1	65,3	72,4	-	-	-	-	-	-

Position of transfer modules  
Part. S0672 - S0568 - S0846

• Head to tail transfer



• 90° transfer



H, L dimensions for  
TableTop® chains

Chain	Z 15		Z 17		Z 19		Z 21		Z 23		Z 25		Z 27		Z 29	
	H	L	H	L	H	L	H	L	H	L	H	L	H	L	H	L
802 - 805 - 812 - 815 - 881	30,9	56,8	36,8	58,2	42,8	60,9	48,7	63,7	54,7	66,3	60,7	68,8	66,7	71,2	72,7	73,5
881 M - 8811 - 8811 TAB	30,9	56,8	36,8	58,2	42,8	60,9	48,7	63,7	54,7	66,3	60,7	68,8	66,7	71,2	72,7	73,5
512	45,2	62,0	53,2	65,6	61,3	69,0	69,3	72,2	-	-	-	-	-	-	-	-
1864 - 1874 - 4874	37,3	65,0	43,3	65,3	49,4	68,2	55,4	70,9	61,5	73,6	67,5	76,1	-	-	-	-
820	31,5	57,6	37,4	59,0	43,4	61,6	49,3	64,3	55,3	67,0	61,3	69,5	67,3	71,9	73,3	74,2
821	32,3	58,0	38,2	59,4	44,2	62,1	50,1	64,8	56,1	67,4	62,1	69,9	68,1	72,3	74,1	74,7
843	17,1	57,3	21,2	58,6	25,2	59,8	29,2	61,0	33,2	62,1	37,3	63,2	-	-	-	-
845	17,1	55,4	21,2	56,6	25,2	57,8	29,2	58,9	33,2	59,9	37,3	60,9	-	-	-	-
963	37,3	65,2	43,3	65,4	49,4	68,3	55,4	71,1	61,5	73,7	67,5	76,3	-	-	-	-
1873 - 1853 - 853	37,3	60,7	43,3	62,6	49,4	65,4	55,4	68,1	61,5	70,7	67,5	73,1	73,5	75,5	-	-
1843	17,9	55,5	22,0	56,7	26,0	57,8	30,0	58,9	34,0	59,9	38,1	60,9	-	-	-	-
812 Rub. Top - 881 Rub. Top	32,9	57,3	38,8	58,6	44,8	61,9	50,7	64,6	56,7	67,1	62,7	69,6	68,7	72,0	74,7	74,3
802 Rub. Top	33,9	57,5	39,8	58,8	45,8	62,3	51,7	65,0	57,7	67,5	63,7	70,0	69,7	72,4	75,7	74,7
HFP 820	33,5	57,4	39,4	58,8	45,4	62,1	51,3	64,8	57,3	67,4	63,3	69,8	69,3	72,2	75,3	74,5
HFP 821	34,3	57,6	40,2	58,9	46,2	62,5	52,1	65,2	58,1	67,7	64,1	70,2	70,1	72,5	76,1	74,8
HFP 867 - HFP 1877 - HFP 1873	40,3	59,0	46,3	62,6	52,4	65,3	58,4	67,8	64,5	70,3	70,5	72,7	76,5	75,0	-	-
SLBP 821	47,3	63,0	53,2	65,6	59,2	68,2	65,1	70,6	71,1	72,9	77,1	75,2	-	-	-	-

Chain	Z 9		Z 10		Z 11		Z 12		Z 13		Z 14		Z 15	
	H	L	H	L	H	L	H	L	H	L	H	L	H	L
880 TAB, 879 TAB	40,8	59,1	46,7	62,8	52,7	65,4	58,7	68,0	64,7	70,4	70,7	72,8	76,7	75,0
882 TAB	42,7	60,9	48,6	63,6	54,6	66,2	60,6	68,7	-	-	-	-	-	-
LPC 279	50,2	64,3	56,1	66,9	62,1	69,4	68,1	71,7	74,1	74,0	-	-	-	-
HFP 880 TAB	42,8	60,9	48,7	63,7	54,7	66,3	60,7	68,8	66,7	71,2	72,7	73,5	-	-
HFP 882 TAB	45,2	62,1	51,1	64,7	57,1	67,3	63,1	69,8	-	-	-	-	-	-
SLBP 882 TAB	57,2	67,3	63,1	69,8	69,1	72,1	75,1	74,4	-	-	-	-	-	-

Chain	Z 12		Z 16		Z 21		Z 23		Z 24		Z 25		Z 27		Z 32	
	H	L	H	L	H	L	H	L	H	L	H	L	H	L	H	L
1505 - 1506	11,5	51,5	20,9	54,2	-	-	-	-	40,0	58,9	-	-	-	-	59,0	68,1
4705 - 4706 - 5705 - 5706	57,5	67,5	-	-	48,5	63,6	54,5	66,2	57,5	67,5	60,5	68,7	66,5	71,1	-	-
HFP 5705	-	-	-	-	51,0	64,7	57,0	67,3	60,0	68,5	63,0	69,7	69,0	72,1	-	-

H, L dimensions for MatTop® chains

Chain	Z 7		Z 8		Z 9		Z 10		Z 11		Z 12		Z 19		Z 19	
	H	L	H	L	H	L	H	L	H	L	H	L	H	L	H	L
2100	-	-	-	-	-	-	-	-	27,0	55,8	-	-	9,2	50,8	59,1	68,1
4812	-	-	32,5	57,2	-	-	-	-	-	-	56,3	67,0	-	-	-	-
5996	52,5	65,3	-	-	70,1	72,5	-	-	-	-	-	-	-	-	-	-
6390 - 6391 - 6392	-	-	49,8	64,2	-	-	65,4	70,7	-	-	-	-	-	-	-	-

Chain	Z 10		Z 16		Z 18		Z 21		Z 24		Z 25		Z 31			
	H	L	H	L	H	L	H	L	H	L	H	L	H	L		
5935 - 5936 - 8505 - 8506	13,0	52,00	-	-	-	-	-	-	55,6	66,6	58,6	67,9	76,9	75,1		
7705 - 7706	-	-	49,0	63,8	57,0	67,3	69,1	72,1	-	-	-	-	-	-		

Chain	Z 28			
	H	L		
500	38,6	58,6		
505	40,6	59,0		

H, L dimensions for MCC chains

Chain	Z 10		Z 12		Z 13		Z 15		Z 16		Z 18		Z 20		Z 21	
	H	L	H	L	H	L	H	L	H	L	H	L	H	L	H	L
1000	-	-	31,0	56,8	-	-	-	-	47,0	62,9	55,0	66,4	63,1	69,8	-	-
1005	-	-	-	-	-	-	-	-	-	-	57,0	67,3	-	-	69,1	72,1
1050	-	-	-	-	-	-	-	-	54,8	66,3	62,8	69,7	-	-	-	-
1055	-	-	-	-	-	-	-	-	58,8	68,0	66,8	71,3	-	-	-	-
1255	35,3	57,8	-	-	50,2	64,3	60,3	68,6	65,3	70,6	-	-	-	-	-	-

**ARTICULATED FEET**  
in reinforced polyamide

**Pag. R08 - R27**



**ARTICULATED FEET**  
**GRIPPER**  
in reinforced polypropylene  
and stainless steel

**Pag. R28 - R39**



**ARTICULATED FEET**  
in steel

**Pag. R40 - R47**



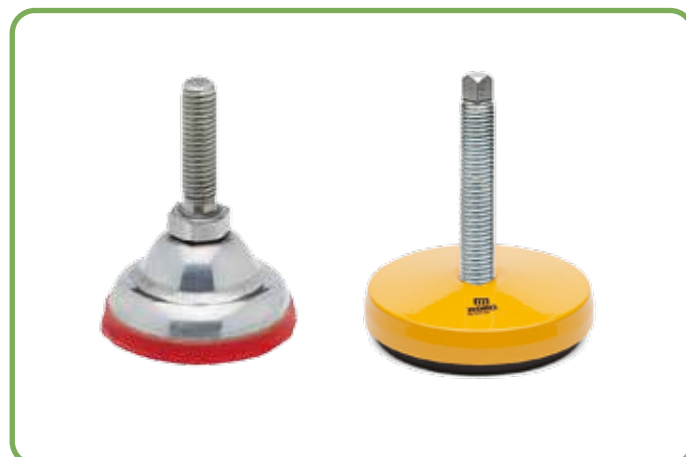
**FIXED FEET**  
in reinforced polyamide  
and reinforced rubber

**Pag. R48 - R49**



**FIXED FEET**  
in steel

**Pag. R50 - R52**



**VIBRATION ABSORBING FEET**  
in steel

**Pag. R53**



**ANTI-SLIP SUPPORTS**  
in steel and rubber

**Pag. R54 - R55**



**THREADED BUSHINGS**  
for round and square tubes

**Pag. R56 - R59**





**ARTICULATED FEET**  
in  
reinforced polyamide



Part. R0269 - Pag. R08 - R09  
Ø 40 • Max. load 10000 N.



Part. R0552 - Pag. R10 - R11  
Ø 40 • Max. load 5000 N.



Part. R0173 - Pag. R12 - R13  
Ø 50 • Max. load 10000 N.



Part. R0098 - Pag. R14 - R15  
Ø 60 • Max. load 12000 N.



Part. R0094 - Pag. R16 - R17  
Ø 60 • Prefitting for fixing  
• Max. load 12000 N.



Part. R0323 - Pag. R18 - R19  
Ø 80 • Prefitting for fixing  
• Max. load 10000 N.



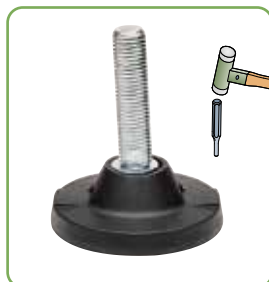
Part. R0133 - Pag. R20 - R21  
Ø 100 • Prefitting for fixing  
• Max. load 13000 N.



Part. R0479 - Pag. R22 - R23  
Ø 110 • Prefitting for fixing  
• Max. load 20000 N.



Part. R0869 - Pag. R24  
Ø 124 • Prefitting for fixing  
• Max. load 45000 N.



Part. R0169 - Pag. R25  
Ø 124 • Prefitting for fixing  
• Max. load 45000 N.



Part. R0134 - Pag. R26  
Ø 100 • Prefitting for fixing  
• Max. load 20000 N.



Part. R0297 - Pag. R27  
Ø 124 • Prefitting for fixing  
• Max. load 45000 N.



Part. R0726 - Pag. R24 - R25 - R27  
Ø 170 • Spacer for  
Réf. R0869 - R0169 - R0297.

**ARTICULATED FEET GRIPPER**  
in  
reinforced polypropylene



Part. R0626 - Pag. R28 - R29  
Ø 80 • Hygiene  
• Customized with logo  
• Max. load 12000 N.



Part. R0622 - Pag. R32 - R33  
Ø 100 • Hygiene  
• Customized with logo  
• Max. load 19500 N.



Part. R0628 - Pag. R36 - R37  
Ø 120 • Hygiene  
• Customized with logo  
• Max. load 22000 N.

**ARTICULATED FEET GRIPPER**  
in  
stainless steel



Part. R0627 - Pag. R30 - R31  
Ø 80 • Hygiene  
• Customized with logo  
• Max. load 12000 N.



Part. R0623 - Pag. R34 - R35  
Ø 100 • Hygiene  
• Customized with logo  
• Max. load 19500 N.



Part. R0629 - Pag. R38 - R39  
Ø 120 • Hygiene  
• Customized with logo  
• Max. load 22000 N.

## ARTICULATED FEET in steel

**NEW**



**Part. R0441** - Pag. R40  
 Ø 123 • N. 2 holes  
 • Zinc plated steel  
 • Max. load 10000 N.

**NEW**



**Part. R0349** - Pag. R40  
 Ø 123 • N. 4 holes • Stainless steel and zinc plated steel  
 • Max. load 10000 N.

**NEW**



**Part. R0408** - Pag. R41  
 Ø 160 • Painted steel  
 • Max. load 50000 N.



**Part. R0747** - Pag. R42  
 Ø 80 • Stainless steel  
 • Hygiene • Max. load 25000 N.



**Part. R0748** - Pag. R42  
 Ø 100 • Stainless steel  
 • Hygiene • Max. load 25000 N.



**Part. R0749** - Pag. R42  
 Ø 120 • Stainless steel  
 • Hygiene • Max. load 25000 N.



**Part. R0747F** - Pag. R43  
 Ø 80 • Stainless steel  
 • Hygiene • Prefitting for fixing  
 • Max. load 25000 N.



**Part. R0748F** - Pag. R43  
 Ø 100 • Stainless steel  
 • Hygiene • Prefitting for fixing  
 • Max. load 25000 N.



**Part. R0750** - Pag. R44  
 Ø 80 • Stainless steel  
 • Hygiene • Max. load 12000 N.



**Part. R0751** - Pag. R44  
 Ø 100 • Stainless steel  
 • Hygiene • Max. load 12000 N.



**Part. R0752** - Pag. R44  
 Ø 120 • Stainless steel  
 • Hygiene • Max. load 12000 N.



**Part. R0750F** - Pag. R45  
 Ø 80 • Stainless steel  
 • Hygiene • Prefitting for fixing  
 • Max. load 12000 N.



**Part. R0751F** - Pag. R45  
 Ø 100 • Stainless steel  
 • Hygiene • Prefitting for fixing  
 • Max. load 12000 N.



**Part. R0750S** - Pag. R46  
 Ø 80 • Stainless steel  
 • Hygiene • Max. load 25000 N.



**Part. R0751S** - Pag. R46  
 Ø 100 • Stainless steel  
 • Hygiene • Max. load 50000 N.



**Part. R0752S** - Pag. R46  
 Ø 120 • Stainless steel  
 • Hygiene • Max. load 50000 N.



**Part. R0750SF** - Pag. R47  
 Ø 80 • Stainless steel  
 • Hygiene • Prefitting for fixing  
 • Max. load 25000 N.



**Part. R0751SF** - Pag. R47  
 Ø 100 • Stainless steel  
 • Hygiene • Prefitting for fixing  
 • Max. load 50000 N.

**FIXED FEET**  
in reinforced polyamide and reinforced rubber



Part. R0600 - Pag. R48  
Ø 50 • Reinforced polyamide  
• Max. load 2000 N.



Part. R0031 - Pag. R49  
Ø 110 • Rubber  
• Max. load 6000 N.

**FIXED FEET**  
in steel



Part. R0403 - Pag. R50  
Ø 100 • Painted steel  
• Max. load 50000 N.



Part. R0528 - Pag. R50  
Ø 100 • Painted steel  
• Max. load 50000 N.



Part. R0406 - Pag. R51  
Ø 123 • Painted steel  
• Max. load 50000 N.



Part. R0529 - Pag. R51  
Ø 123 • Painted steel  
• Max. load 50000 N.



Part. R0383 - Pag. R52  
Ø 40 • Stainless steel  
• Hygiene • Max. load 7000 N.



Part. R0384 - Pag. R52  
Ø 65 • Stainless steel  
• Hygiene • Max. load 12000 N.



Part. R0399 - Pag. R52  
Ø 90 • Stainless steel  
• Hygiene • Max. load 11000 N.



Part. R0385 - Pag. R52  
Ø 110 • Stainless steel  
• Hygiene • Max. load 10000 N.

**AVIBRATION ABSORBING FEET**  
in steel



Part. R0701 - Page R53  
Ø 80 • Zinc plated steel/zinc plated steel painted.



Part. R0702 - Page R53  
Ø 120 • Zinc plated steel/zinc plated steel painted.



Part. R0703 - Page R53  
Ø 160 • Zinc plated steel/zinc plated steel painted.

**ANTI-SLIP SUPPORTS**  
in steel and rubber



Part. R0055 - Page R54  
Ø 110 • Rubber with steel insert  
• Max. load 6000 N.



Part. R0187 - Page R55  
Ø 123 • Rubber with painted steel insert  
• Max. load 20000 N.



Part. R0407 - Page R54 - R55  
Spindle for Part. 55 - 187  
• Zinc plated steel.

**THREADED  
BUSHINGS**  
for  
round and  
square tubes



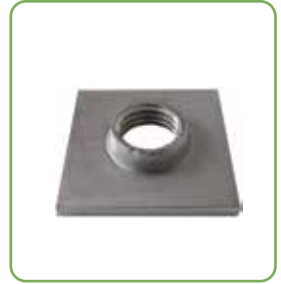
**Part. R0180** - Page R56  
For round tubes Ø 26,9-30-33,7-38-42,4-48,3-54-60,3 mm and 1,5"- 2."



**Part. R0224** - Page R57  
For square tubes 30-35-40-50 mm and 1,5"- 2."



**Part. S0710** - Page R58  
For round tubes Ø 26,9-30-33,7-38-42,4-48,3-54-60,3 mm and 1,5"- 2."



**Part. S0713** - Page R59  
For square tubes 30-35-40-50 mm and 1,5"- 2."

## ■ SPINDLE MATERIALS

### Stainless steel

- High resistance to chemicals.
- Excellent resistance to oxidation.
- Operating temperature :  
in air (- 70°C to + 430°C)  
in hot water (+ 120°C)
- Sectors of use  
Humid and corrosive environments. Environments where hygiene regulations are strict and indispensable (food and dairy industry, chemicals-pharmaceuticals, bottling). Electronics industry (where non-magnetic properties are required).

### Zinc plated steel

- Operating temperature :  
in air (- 40°C to + 180°C)  
in hot water (+ 120°C)
- Sectors of use  
Moisture-free environments with low corrosion.

### Nickel plated brass

- Good resistance to chemicals.
- Operating temperature :  
in air (- 40°C to + 180°C)  
in hot water (+ 120°C)
- Sectors of use  
Humid and wet environments.

### Reinforced polyamide with steel pin

- Good resistance to chemicals.
- Operating temperature :  
in air (- 5°C to + 120°C)  
in hot water (+ 100°C)
- Colour: black.
- Sectors of use Industrial, packaging.

## ■ FOOTPLATE MATERIALS

### Reinforced polyamide PA FV

- Good mechanical strength.  
Able to withstand high load capacities.
- High thermal resistance.
- Good resistance to chemicals.
- Operating temperature:  
in air (- 30°C to + 120°C)  
in hot water (+ 100°C)
- Colour : black.
- Inflammability : 94HB.

### Reinforced polypropylene PP FV

- Recommended in applications requiring high resistance to chemicals and fair mechanical properties (the load capacity is lower than reinforced polyamide).
- Operating temperature :  
in air (+ 5°C to + 115°C)  
in hot water (+ 115°C)
- Colour : black.
- Inflammability : 94HB.

## ■ ANTI-SLIP MATERIALS

### NBR rubber

- Operating temperature :  
in air (- 35°C to + 100°C)  
in hot water (+ 80°C)
- Colour : black.
- Inflammability : 94HB

In this new catalogue we have included some new graphic and visual features to aid in the correct component identification. These features are designed to make the catalogue more intuitive and also highlight the Rexnord recommendation for prompt availability.

The page layout is as follows.

- 1 ● Best Seller
- 1 ● Standard
- 1 ● On request: Minimum quantity may apply or can be available at our distributors.
  
- 2 Spindle Material.
  
- 3 Reinforced series: right side of the catalogue.
  
- 4 Complete item Code = Part. + Code = R0098 + 626683 = R0098626683.

**4** Part. R0098

**1** Best Seller  
Standard  
On request

**Articulated Feet in reinforced polyamide**

**2**

Spindle in stainless steel		Spindle in zinc plated steel	
M12	90 55 1 - - 10 626683	M12	105 70 1 - - 10 626753
M12	135 100 1 - - 10 626693	M12	90 55 - 1a - 11 626692
M12	185 150 1 - - 10 626703	M12	85 48 - 1a - 13 626753
M14	100 76 - 1a - 11 626002	M12	95 61 - 1a - 13 626102
M14	110 64 - 1a - 13 626012	M12	130 96 - 1a - 13 626112
M14	115 81 - 1a - 13 626022	M12	150 116 - 1a - 13 626122
M14	160 124 - 1a - 13 626032	M12	165 131 - 1a - 13 621343
M14	185 151 - 1a - 13 626042	M12	185 151 - 1a - 13 626132
M16	205 169 - 1a - 13 621283	M12	200 165 - 1a - 13 621353
M16	225 190 - 1a - 13 621313	M12	235 201 - 1a - 13 626773
M16	120 84 - 1a - 16 626052	M12	115 74 - 1a - 16 626783
M16	185 149 - 1a - 16 626062	M12	135 100 - 1a - 16 626142
M16	245 208 - 1a - 16 621293	M12	150 113 - 1a - 16 621323
M16	120 79 - 1a - 19 626733	M12	185 150 - 1a - 16 626152
M16	185 146 - 1a - 19 626072	M12	250 214 - 1a - 16 626162
M16	220 179 - 1a - 19 626743	M12	120 81 - 1a - 19 626172
M16	250 209 - 1a - 19 621303	M12	185 146 - 1a - 19 626182
M20	185 149 - 1a - 16 626062	M12	330 288 - 1a - 19 626783
M20	245 208 - 1a - 16 621293	M16	100 54 - - 3 24 61920
M20	120 79 - 1a - 19 626733	M16	120 69 - - 3 30 51540
M20	185 146 - 1a - 19 626072	M16	180 129 - - 3 30 51530
M20	220 179 - 1a - 19 626743	M20	
M20	250 209 - 1a - 19 621303	M20	

**3** Part. R0098 Reinforced version

**Articulated Feet in reinforced polyamide**

**1** Best Seller  
Standard  
On request

**Articulated Feet in reinforced polyamide**

**2**

Spindle in stainless steel		Spindle in zinc plated steel	
M12	100 53 6 - - 19 673671	M12	110 64 - - 19 673511
M12	150 103 6 - - 19 673691	M12	95 5 6 6b 24 628822
M12	195 149 6 - - 19 673711	M12	130 89 - 6b 24 628832
M14	150 103 6 - - 19 673751	M12	160 119 - 6b 24 628842
M14	195 149 6 - - 19 673771	M12	195 154 - 6b 24 628852
M14	100 53 6 - - 24 673791	M12	115 76 - 6b 24 53151N
M14	115 74 - - 6b 24 628792	M12	150 111 - 6b 24 53151N
M14	150 109 - 6b 24 628792	M12	180 141 - 6b 24 52951N
M14	185 144 - 6b 24 628802	M12	245 206 - 6b 24 66401N
M14	200 159 - 6b 24 628812	M12	120 79 - 6b 24 628822
M14	220 181 - 6b 24 673931N	M12	185 144 - 6b 24 628872
M14	115 74 - - 6b 24 53171N	M12	325 288 - 6b 24 673551N
M14	180 139 - 6b 24 53161N	M16	
M14	245 204 - 6b 24 695641N	M16	
M14	120 79 - 6b 24 628862	M16	
M14	220 179 - 6b 24 628872	M16	

**2**

**Item code for order = Part. + Code**

- Footplate material: reinforced polyamide PA FV (black).
- Note: for spindles type 1 ball in reinforced polyamide.
- Packaging: 24 pieces.
- Anti-slip supplied separately.
- On request different length.
- Fmax. = maximum applicable load in static conditions.

**Accessories**

Anti-slip

Nut + Washer

Code

Material	h	d0	d
Stainless steel AISI 304	mm	mm	mm
Zinc plated steel	mm	mm	mm
M12	R000630022	R000630122	10 19 24 25
M14	R000630032	R000630132	11 22 28 25
M16	R000630212	R000630142	13 24 30 3
M20	R000630222	R000630152	16 30 37 3
M24	R000630232	R000630162	19 38 44 4

Packaging: 8 pieces

**2**

**Accessories**

Anti-slip

Nut + Washer

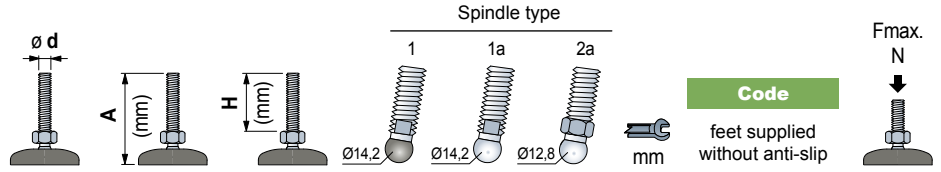
Code

Material	h	d0	d
Stainless steel AISI 304	mm	mm	mm
Zinc plated steel	mm	mm	mm
M12	R000630192	R000630122	10 19 24 25
M14	R000630202	R000630132	11 22 28 25
M16	R000630212	R000630142	13 24 30 3
M20	R000630222	R000630152	16 30 37 3
M24	R000630232	R000630162	19 38 44 4

Packaging: 8 pieces

- ✔ **Best Seller**
- ✔ **Standard**
- **On request**

**Part. R0269**

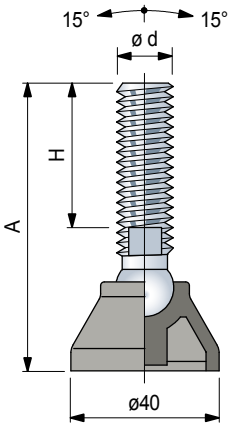


**Spindle in stainless steel**

Part	A (mm)	H (mm)	1	1a	2a	mm	Code	Fmax. N
M10	105	70	1	-	-	8	<b>626503</b>	8000
M12	105	70	1	-	-	10	<b>626513</b>	
	165	130	1	-	-	10	<b>626523</b>	
M14	110	76	-	1a	-	13	<b>626533</b>	10000
M16	115	81	-	1a	-	13	<b>626543</b>	
	165	124	-	1a	-	13	<b>626553</b>	

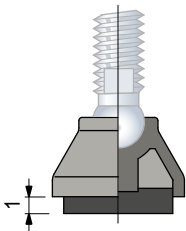
**Spindle in zinc plated steel**

Part	A (mm)	H (mm)	1	1a	2a	mm	Code	Fmax. N
M8	70	40	-	-	2a	12	<b>625062</b>	10000
	65	33	-	-	2a	12	<b>625072</b>	
M10	105	71	-	-	2a	12	<b>625082</b>	
	150	118	-	-	2a	12	<b>625092</b>	
M12	80	48	-	-	2a	12	<b>625102</b>	
	100	69	-	-	2a	12	<b>625112</b>	
	130	96	-	-	2a	12	<b>625122</b>	
M14	100	68	-	-	2a	13	<b>625132</b>	
	80	47	-	-	2a	15	<b>625142</b>	
M16	100	67	-	-	2a	15	<b>625152</b>	
	200	167	-	-	2a	15	<b>625162</b>	



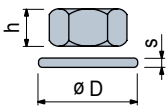
**Accessories**

**Anti-slip**



- Code: **R000630002**.
- Material: NBR rubber (black), 70 Shore.
- Assembly: press-fit.
- Packaging: 48 pieces

**Nut + Washer**



Part	Code		h (mm)	øD (mm)	s (mm)
	Stainless steel AISI 304	Zinc plated steel			
M8	-	<b>R000630102</b>	6,5	13	1,6
M10	<b>R000630182</b>	<b>R000630112</b>	8	17	2
M12	<b>R000630192</b>	<b>R000630122</b>	10	19	2,5
M14	<b>R000630202</b>	<b>R000630132</b>	11	22	2,5
M16	<b>R000630212</b>	<b>R000630142</b>	13	24	3

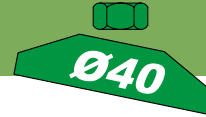
Packaging: 24 pieces (for M8, M10).  
8 pieces (for M12, M14, M16).

**Item code for order = Part. + Code**

- Footplate material: reinforced polyamide PA FV (black).
- Note: for spindles type 1 ball in reinforced polyamide.
- Packaging: 48 pieces.
- Anti-slip supplied separately.
- On request different length.
- Fmax. = maximum applicable load in static conditions.

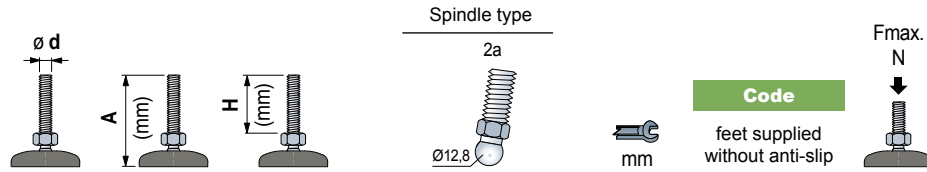
# Articulated Feet

in reinforced polyamide



- Best Seller**
- Standard**
- On request**

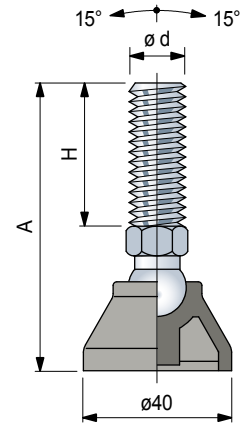
Part. **R0269**



Spindle in stainless steel						
M10	105	71	2a	12	<b>625002</b>	10000
M12	100	69	2a	12	<b>625012</b>	
	165	132	2a	12	<b>625022</b>	
M14	100	68	2a	13	<b>625032</b>	
M16	105	72	2a	15	<b>625042</b>	
	165	132	2a	15	<b>625052</b>	

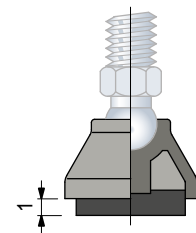
**Item code for order = Part. + Code**

- Footplate material: reinforced polyamide PA FV (black).
- Packaging: 48 pieces.
- Anti-slip supplied separately.
- On request different length.
- Fmax. = maximum applicable load in static conditions.



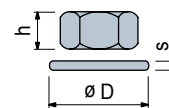
**Accessories**

**Anti-slip**



- Code: **R0000630002**.
- Material: NBR rubber (black), 70 Shore.
- Assembly: press-fit.
- Packaging: 48 pieces

**Nut + Washer**



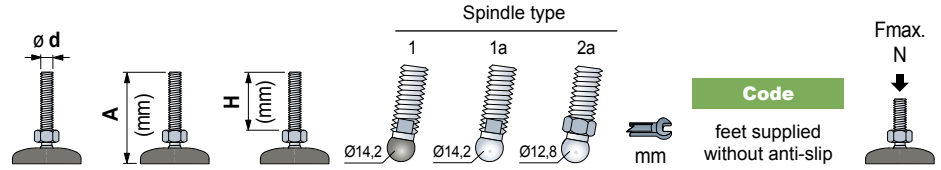
Code		h	øD	s		
Stainless steel AISI 304	Zinc plated steel	mm	mm	mm		
M8	-	<b>R0000630102</b>	6,5	13	17	1,6
M10	<b>R0000630182</b>	<b>R0000630112</b>	8	17	21	2
M12	<b>R0000630192</b>	<b>R0000630122</b>	10	19	24	2,5
M14	<b>R0000630202</b>	<b>R0000630132</b>	11	22	28	2,5
M16	<b>R0000630212</b>	<b>R0000630142</b>	13	24	30	3

Packaging: 24 pieces (for M8, M10).  
8 pieces (for M12, M14, M16).



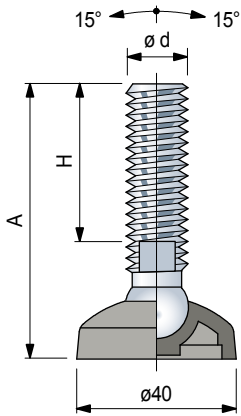
- ✔ **Best Seller**
- ✔ **Standard**
- **On request**

**Part. R0552**



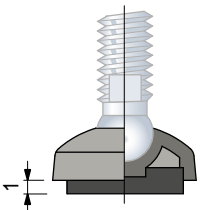
Spindle in stainless steel							Code	Fmax. N
	A (mm)	H (mm)	1	1a	2a	mm		
M10	95	70	1	-	-	8	<b>626563</b>	5000
M12	95	70	1	-	-	10	<b>626573</b>	
	155	130	1	-	-	10	<b>626583</b>	
M14	100	76	-	1a	-	13	<b>626593</b>	
M16	105	81	-	1a	-	13	<b>626603</b>	5000
	155	124	-	1a	-	13	<b>626613</b>	

Spindle in zinc plated steel							Code	Fmax. N
	A (mm)	H (mm)	1	1a	2a	mm		
M8	60	40	-	-	2a	12	<b>625562</b>	5000
	55	33	-	-	2a	12	<b>625572</b>	
M10	95	71	-	-	2a	12	<b>625582</b>	
	140	118	-	-	2a	12	<b>625592</b>	
M12	70	48	-	-	2a	12	<b>625602</b>	
	90	69	-	-	2a	12	<b>625612</b>	
	120	96	-	-	2a	12	<b>625622</b>	
M14	90	68	-	-	2a	13	<b>625632</b>	
	70	47	-	-	2a	15	<b>625642</b>	
M16	90	67	-	-	2a	15	<b>625652</b>	
	190	167	-	-	2a	15	<b>625662</b>	



**Accessories**

**Anti-slip**

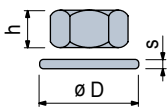


- Code: **R0000630002**.
- Material: NBR rubber (black), 70 Shore.
- Assembly: press-fit.
- Packaging: 48 pieces

**Item code for order = Part. + Code**

- Footplate material: reinforced polyamide PA FV (black).
- Note: for spindles type 1 ball in reinforced polyamide.
- Packaging: 48 pieces.
- Anti-slip supplied separately.
- On request different length.
- Fmax. = maximum applicable load in static conditions.

**Nut + Washer**



	Stainless steel AISI 304	Zinc plated steel	h mm	ØD mm	s mm
M8	-	<b>R0000630102</b>	6,5	13	1,6
M10	<b>R0000630182</b>	<b>R0000630112</b>	8	17	2
M12	<b>R0000630192</b>	<b>R0000630122</b>	10	19	2,5
M14	<b>R0000630202</b>	<b>R0000630132</b>	11	22	2,5
M16	<b>R0000630212</b>	<b>R0000630142</b>	13	24	3

- Packaging: 24 pieces (for M8, M10).
- 8 pieces (for M12, M14, M16).

# Articulated Feet

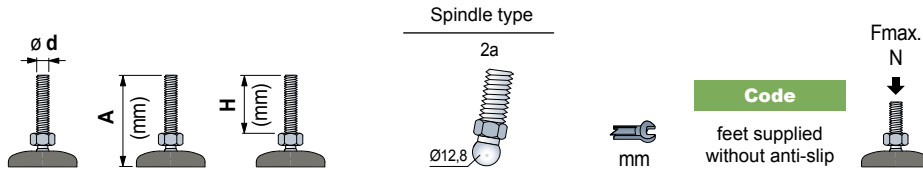
in reinforced polyamide

Ø40

REXNORD

- **Best Seller**
- **Standard**
- ✓ **On request**

Part. **R0552**

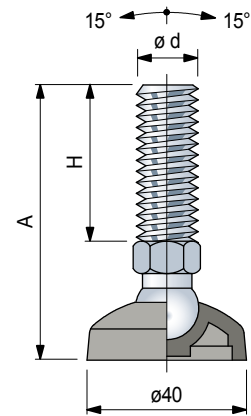


Spindle in stainless steel					
M10	95	71	2a	12	625502
M12	90	69	2a	12	625512
	155	132	2a	12	625522
M14	90	68	2a	13	625532
M16	95	72	2a	15	625542
	155	132	2a	15	625552

5000

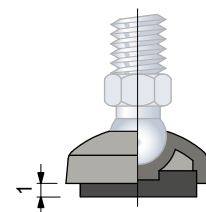
**Item code for order = Part. + Code**

- Footplate material: reinforced polyamide PA FV (black).
- Packaging: 48 pieces.
- Anti-slip supplied separately.
- On request different length.
- Fmax. = maximum applicable load in static conditions.



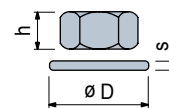
**Accessories**

**Anti-slip**



- Code: **R0000630002**.
- Material: NBR rubber (black), 70 Shore.
- Assembly: press-fit.
- Packaging: 48 pieces

**Nut + Washer**

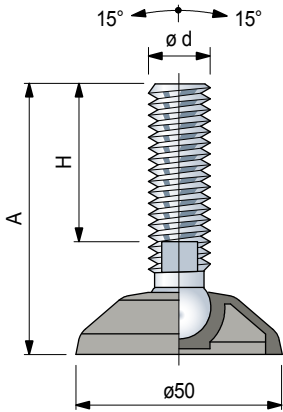


Code		h	øD	s		
Stainless steel AISI 304	Zinc plated steel	mm	mm	mm		
M8	-	R0000630102	6,5	13	17	1,6
M10	R0000630182	R0000630112	8	17	21	2
M12	R0000630192	R0000630122	10	19	24	2,5
M14	R0000630202	R0000630132	11	22	28	2,5
M16	R0000630212	R0000630142	13	24	30	3

Packaging: 24 pieces (for M8, M10),  
8 pieces (for M12, M14, M16).

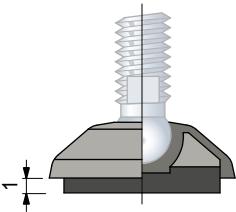
- ✔ **Best Seller**
- ✔ **Standard**
- **On request**

**Part. R0173**



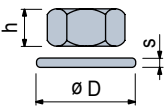
**Accessories**

**Anti-slip**



- Code: **R0000630012**.
- Material: NBR rubber (black), 70 Shore.
- Assembly: press-fit.
- Packaging: 24 pieces

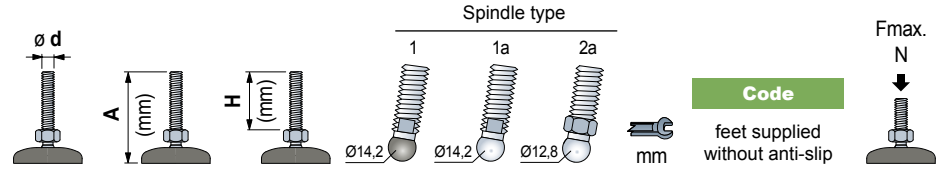
**Nut + Washer**



**Code**

	Stainless steel AISI 304	Zinc plated steel	h mm	$\phi D$ mm	s mm
M8	-	<b>R0000630102</b>	6,5	13	1,6
M10	<b>R0000630182</b>	<b>R0000630112</b>	8	17	2
M12	<b>R0000630192</b>	<b>R0000630122</b>	10	19	2,5
M14	<b>R0000630202</b>	<b>R0000630132</b>	11	22	2,5
M16	<b>R0000630212</b>	<b>R0000630142</b>	13	24	3

Packaging: 24 pieces (for M8, M10).  
8 pieces (for M12, M14, M16).



**Spindle in stainless steel**

	A (mm)	H (mm)	1	1a	2a	mm	Code	Fmax. N
M10	95	70	1	-	-	8	<b>626623</b>	8000
	155	130	1	-	-	10	<b>626643</b>	
M14	100	76	-	1a	-	13	<b>626653</b>	10000
M16	105	81	-	1a	-	13	<b>626663</b>	
	155	124	-	1a	-	13	<b>626673</b>	

**Spindle in zinc plated steel**

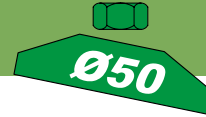
	A (mm)	H (mm)	1	1a	2a	mm	Code	Fmax. N
M8	60	40	-	-	2a	12	<b>625312</b>	10000
	55	33	-	-	2a	12	<b>625322</b>	
M10	95	71	-	-	2a	12	<b>625332</b>	10000
	140	118	-	-	2a	12	<b>625342</b>	
M12	70	48	-	-	2a	12	<b>625352</b>	10000
	90	69	-	-	2a	12	<b>625362</b>	
	120	96	-	-	2a	12	<b>625372</b>	
M14	90	68	-	-	2a	13	<b>625382</b>	10000
	70	47	-	-	2a	15	<b>625392</b>	
M16	90	67	-	-	2a	15	<b>625402</b>	10000
	190	167	-	-	2a	15	<b>625412</b>	

**Item code for order = Part. + Code**

- Footplate material: reinforced polyamide PA FV (black).
- Note: for spindles type 1 ball in reinforced polyamide.
- Packaging: 24 pieces.
- Anti-slip supplied separately.
- On request different length.
- Fmax. = maximum applicable load in static conditions.

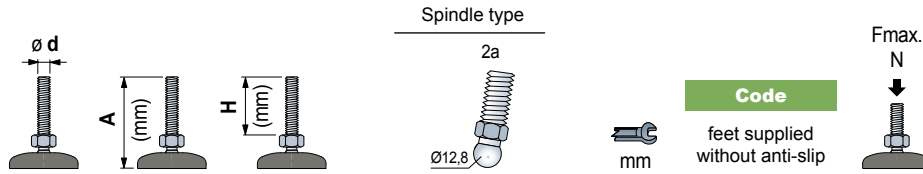
# Articulated Feet

in reinforced polyamide



- **Best Seller**
- **Standard**
- ✓ **On request**

Part. **R0173**

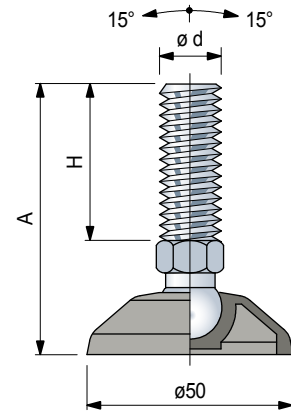


Spindle in stainless steel					
M10	95	71	2a	12	625252
M12	90	69	2a	12	625262
	155	132	2a	12	625272
M14	90	68	2a	13	625282
M16	95	72	2a	15	625292
	155	132	2a	15	625302

10000

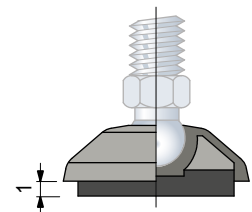
**Item code for order = Part. + Code**

- Footplate material: reinforced polyamide PA FV (black).
- Packaging: 24 pieces.
- Anti-slip supplied separately.
- On request different length.
- Fmax. = maximum applicable load in static conditions.



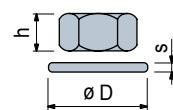
**Accessories**

**Anti-slip**



- Code: **R000630012**.
- Material: NBR rubber (black), 70 Shore.
- Assembly: press-fit.
- Packaging: 24 pieces

**Nut + Washer**

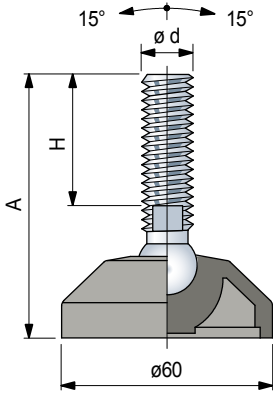


Code		h	ØD	s		
Stainless steel AISI 304	Zinc plated steel	mm	mm	mm		
M8	-	R000630102	6,5	13	17	1,6
M10	R000630182	R000630112	8	17	21	2
M12	R000630192	R000630122	10	19	24	2,5
M14	R000630202	R000630132	11	22	28	2,5
M16	R000630212	R000630142	13	24	30	3

Packaging: 24 pieces (for M8, M10).  
8 pieces (for M12, M14, M16).

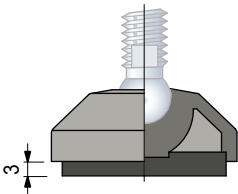
- ✔ **Best Seller**
- ✔ **Standard**
- **On request**

**Part. R0098**



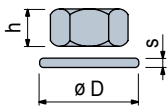
**Accessories**

**Anti-slip**



- Code: **R0000630022**.
- Material: NBR rubber (black), 70 Shore.
- Assembly: press-fit.
- Packaging: 24 pieces

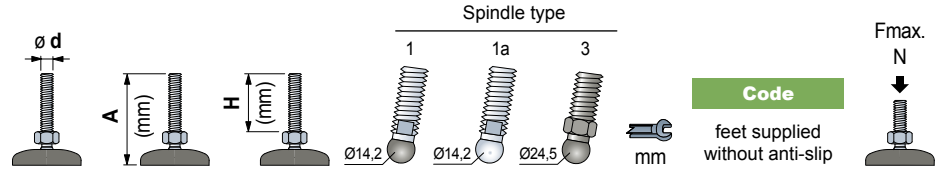
**Nut + Washer**



**Code**

	Stainless steel AISI 304	Zinc plated steel	h mm	$\phi D$ mm	s mm	
M12	<b>R0000630192</b>	<b>R0000630122</b>	10	19	24	2,5
M14	<b>R0000630202</b>	<b>R0000630132</b>	11	22	28	2,5
M16	<b>R0000630212</b>	<b>R0000630142</b>	13	24	30	3
M20	<b>R0000630222</b>	<b>R0000630152</b>	16	30	37	3
M24	<b>R0000630232</b>	<b>R0000630162</b>	19	36	44	4

Packaging: 8 pieces



Spindle in stainless steel								Code	Fmax. N
	A (mm)	H (mm)	Spindle type			mm			
M12	90	55	1	-	-	10	<b>626683</b>	8000	
	135	100	1	-	-	10	<b>626693</b>		
	185	150	1	-	-	10	<b>626703</b>		
M14	110	76	-	1a	-	11	<b>626002</b>	10000	
	100	64	-	1a	-	13	<b>626012</b>		
	115	81	-	1a	-	13	<b>626022</b>		
	160	124	-	1a	-	13	<b>626032</b>		
	185	151	-	1a	-	13	<b>626042</b>		
	205	169	-	1a	-	13	<b>621283</b>		
M16	225	190	-	1a	-	13	<b>621313</b>	10000	
	120	84	-	1a	-	16	<b>626052</b>		
	185	149	-	1a	-	16	<b>626062</b>		
M20	245	208	-	1a	-	16	<b>621293</b>	10000	
	120	79	-	1a	-	19	<b>626733</b>		
	185	146	-	1a	-	19	<b>626072</b>		
M24	220	179	-	1a	-	19	<b>626743</b>	10000	
	250	209	-	1a	-	19	<b>621303</b>		

Spindle in zinc plated steel								Code	Fmax. N
	A (mm)	H (mm)	Spindle type			mm			
M12	105	70	1	-	-	10	<b>626753</b>	8000	
M14	90	56	-	1a	-	11	<b>626092</b>	10000	
	85	48	-	1a	-	13	<b>626763</b>		
	95	61	-	1a	-	13	<b>626102</b>		
	130	96	-	1a	-	13	<b>626112</b>		
	150	116	-	1a	-	13	<b>626122</b>		
	165	131	-	1a	-	13	<b>621343</b>		
	185	151	-	1a	-	13	<b>626132</b>		
M16	200	165	-	1a	-	13	<b>621353</b>	10000	
	235	201	-	1a	-	13	<b>626773</b>		
	115	74	-	1a	-	16	<b>626783</b>		
	135	100	-	1a	-	16	<b>626142</b>		
	150	113	-	1a	-	16	<b>621323</b>		
M20	185	150	-	1a	-	16	<b>626152</b>	10000	
	250	214	-	1a	-	16	<b>626162</b>		
	120	81	-	1a	-	19	<b>626172</b>		
M24	185	146	-	1a	-	19	<b>626182</b>	10000	
	330	288	-	1a	-	19	<b>626793</b>		

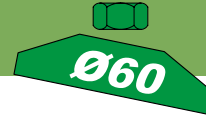
Spindle in reinforced polyamid (black) with steel pin								Code	Fmax. N
	A (mm)	H (mm)	Spindle type			mm			
M16	100	54	-	-	3	24	<b>61920</b>	6000	
M20	120	69	-	-	3	30	<b>51540</b>		
	180	129	-	-	3	30	<b>51530</b>		

**Item code for order = Part. + Code**

- Footplate material: reinforced polyamide PA FV (black).
- Note: for spindles type 1 ball in reinforced polyamide.
- Packaging: 24 pieces.
- Anti-slip supplied separately.
- On request different length.
- Fmax. = maximum applicable load in static conditions.

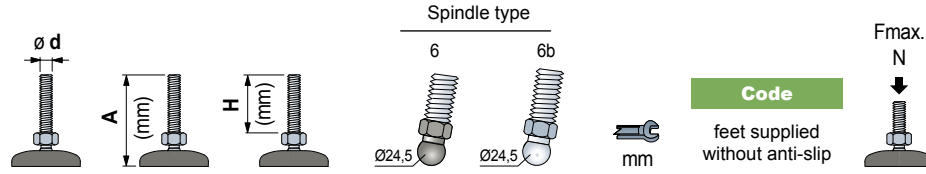
# Articulated Feet

in reinforced polyamide



- **Best Seller**
- **Standard**
- ✓ **On request**

## Part. **R0098** Reinforced version



Spindle in stainless steel						
M12	100	53	6	-	19	673671
	150	103	6	-	19	673691
	195	149	6	-	19	673711
M14	150	103	6	-	19	673751
	100	53	6	-	24	673791
M16	115	74	-	6b	24	628782
	150	109	-	6b	24	628792
	185	144	-	6b	24	628802
	200	159	-	6b	24	628812
M20	220	181	-	6b	24	673931N
	115	74	-	6b	24	53171N
	180	139	-	6b	24	53161N
M24	245	204	-	6b	24	685641N
	120	79	-	6b	24	628862
	220	179	-	6b	24	628872

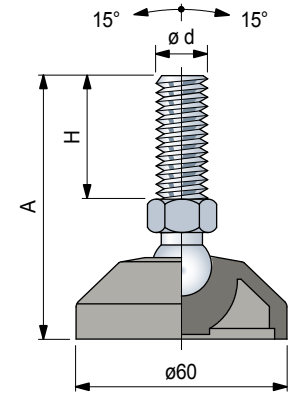
12000

Spindle in zinc plated steel						
M12	110	64	-	-	19	673511
	95	5	6	6b	24	628822
M16	130	89	-	6b	24	628832
	160	119	-	6b	24	628842
	195	154	-	6b	24	628852
M20	115	76	-	6b	24	53151N
	150	111	-	6b	24	61564N
	180	141	-	6b	24	52561N
	245	206	-	6b	24	66401N
M24	120	79	-	6b	24	628882
	185	144	-	6b	24	628892
	325	288	-	6b	24	673651N

12000

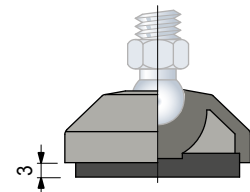
### Item code for order = Part. + Code

- Footplate material: reinforced polyamide PA FV (black).
- Note: for spindles type 6 ball in reinforced polyamide.
- Packaging: 24 pieces.
- Anti-slip supplied separately.
- On request different length.
- Fmax. = maximum applicable load in static conditions.



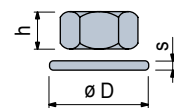
### Accessories

#### Anti-slip



- Code: **R0000630022**.
- Material: NBR rubber (black), 70 Shore.
- Assembly: press-fit.
- Packaging: 24 pieces

#### Nut + Washer



	Code		h mm	s mm	ØD mm	s mm
	Stainless steel AISI 304	Zinc plated steel				
M12	R0000630192	R0000630122	10	19	24	2,5
M14	R0000630202	R0000630132	11	22	28	2,5
M16	R0000630212	R0000630142	13	24	30	3
M20	R0000630222	R0000630152	16	30	37	3
M24	R0000630232	R0000630162	19	36	44	4

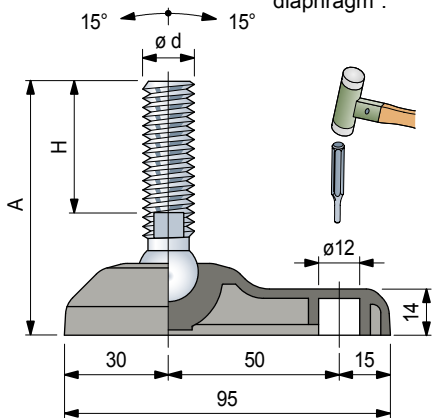
Packaging: 8 pieces

## Part. R0094

- ✔ **Best Seller**
- ✔ **Standard**
- **On request**

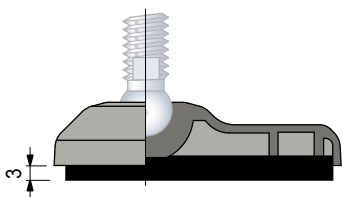


Fixing holes, obtainable by breaking "diaphragm".



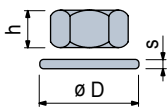
### Accessories

#### Anti-slip



- Code: **R0000630032**.
- Material: NBR rubber (black), 70 Shore.
- Assembly: press-fit.
- Packaging: 24 pieces

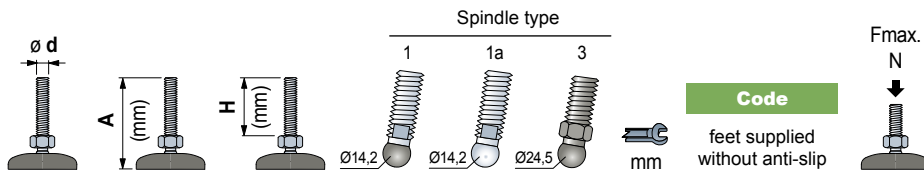
#### Nut + Washer



#### Code

	Stainless steel AISI 304	Zinc plated steel	h mm	Ø mm	s mm
M12	R0000630192	R0000630122	10	19	24 2,5
M14	R0000630202	R0000630132	11	22	28 2,5
M16	R0000630212	R0000630142	13	24	30 3
M20	R0000630222	R0000630152	16	30	37 3
M24	R0000630232	R0000630162	19	36	44 4

Packaging: 8 pieces



### Spindle in stainless steel

Code	M	A (mm)	H (mm)	Spindle type			mm	Code	feet supplied without anti-slip	Fmax. N
				1	1a	3				
8000	M12	90	55	1	-	-	10	<b>626803</b>		
		135	100	1	-	-	10	<b>626813</b>		
		185	150	1	-	-	10	<b>626823</b>		
10000	M14	110	76	-	1a	-	11	<b>626192</b>		
		100	64	-	1a	-	13	<b>626202</b>		
	M16	115	81	-	1a	-	13	<b>626212</b>		
		160	124	-	1a	-	13	<b>626222</b>		
		185	151	-	1a	-	13	<b>626232</b>		
		205	169	-	1a	-	13	<b>626853</b>		
M20	225	190	-	1a	-	13	<b>626863</b>			
	120	84	-	1a	-	16	<b>626242</b>			
M24	185	149	-	1a	-	16	<b>626252</b>			
	245	208	-	1a	-	16	<b>626873</b>			
	120	79	-	1a	-	19	<b>626883</b>			
M24	185	146	-	1a	-	19	<b>626262</b>			
	220	179	-	1a	-	19	<b>626893</b>			
	250	209	-	1a	-	19	<b>626903</b>			

### Spindle in zinc plated steel

Code	M	A (mm)	H (mm)	Spindle type			mm	Code	feet supplied without anti-slip	Fmax. N
				1	1a	3				
8000	M12	105	70	1	-	-	10	<b>626913</b>		
		90	56	-	1a	-	11	<b>626282</b>		
		85	48	-	1a	-	13	<b>626923</b>		
10000	M16	95	61	-	1a	-	13	<b>626292</b>		
		130	96	-	1a	-	13	<b>626302</b>		
	M16	150	116	-	1a	-	13	<b>626312</b>		
		165	131	-	1a	-	13	<b>626933</b>		
		185	151	-	1a	-	13	<b>626322</b>		
		200	165	-	1a	-	13	<b>626943</b>		
M20	235	201	-	1a	-	13	<b>626953</b>			
	115	74	-	1a	-	16	<b>626963</b>			
M20	135	100	-	1a	-	16	<b>626332</b>			
	150	113	-	1a	-	16	<b>626973</b>			
	185	150	-	1a	-	16	<b>626342</b>			
M24	250	214	-	1a	-	16	<b>626352</b>			
	120	81	-	1a	-	19	<b>626362</b>			
	185	146	-	1a	-	19	<b>626372</b>			
M24	330	288	-	1a	-	19	<b>626983</b>			

### Spindle in reinforced polyamid (black) with steel pin

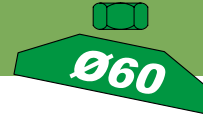
Code	M	A (mm)	H (mm)	Spindle type			mm	Code	feet supplied without anti-slip	Fmax. N
				1	1a	3				
6000	M16	100	54	-	-	3	24	<b>690421</b>		
		120	69	-	-	3	30	<b>690441</b>		
		180	129	-	-	3	30	<b>690461</b>		

#### Item code for order = Part. + Code

- Footplate material: reinforced polyamide PA FV (black).
- Note: for spindles type 1 ball in reinforced polyamide.
- Packaging: 24 pieces.
- Anti-slip supplied separately.
- On request different length.
- Fmax. = maximum applicable load in static conditions.

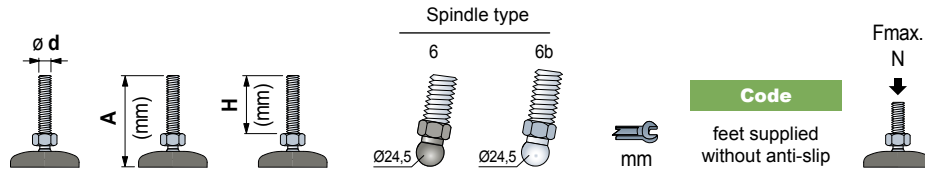
# Articulated Feet

in reinforced polyamide



- **Best Seller**
- **Standard**
- ✓ **On request**

## Part. R0094 Reinforced version

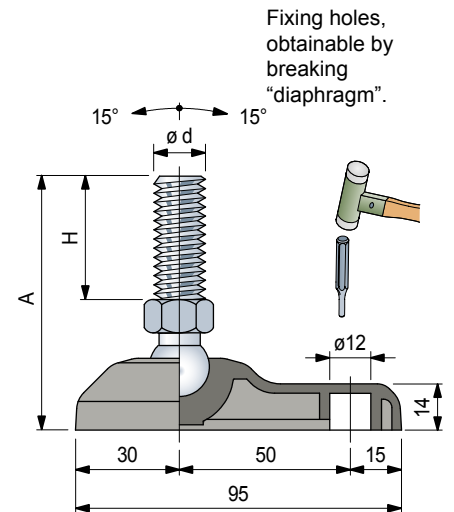


Spindle in stainless steel						
	A (mm)	H (mm)	Spindle type	mm	Code	
M12	100	53	6	-	19	689561
	150	103	6	-	19	689581
	195	149	6	-	19	689601
M14	150	103	6	-	19	689681
	100	53	6	-	24	689741
M16	115	74	-	6b	24	626872
	150	109	-	6b	24	626882
	185	144	-	6b	24	626892
	200	159	-	6b	24	626902
	220	181	-	6b	24	689981N
M20	115	74	-	6b	24	690001N
	180	139	-	6b	24	690081N
	245	204	-	6b	24	690141N
M24	120	79	-	6b	24	626952
	220	179	-	6b	24	626962

12000

Spindle in zinc plated steel						
	A (mm)	H (mm)	Spindle type	mm	Code	
M12	110	64	6	-	19	690481
M16	95	54	-	6b	24	626912
	130	89	-	6b	24	626922
	160	119	-	6b	24	626932
	195	154	-	6b	24	626942
M20	115	76	-	6b	24	690781N
	150	111	-	6b	24	690851N
	180	141	-	6b	24	690871N
	245	206	-	6b	24	690931N
M24	120	79	-	6b	24	626972
	185	144	-	6b	24	626982
	325	288	-	6b	24	691071N

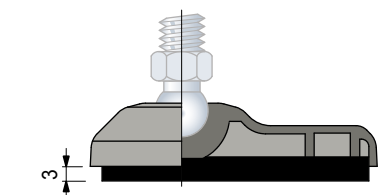
12000



Fixing holes, obtainable by breaking "diaphragm".

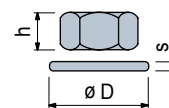
### Accessories

#### Anti-slip



- Code: **R0000630032**.
- Material: NBR rubber (black), 70 Shore.
- Assembly: press-fit.
- Packaging: 24 pieces

#### Nut + Washer



	Code		h (mm)	s (mm)	ØD (mm)
	Stainless steel AISI 304	Zinc plated steel			
M12	R0000630192	R0000630122	10	19	24
M14	R0000630202	R0000630132	11	22	28
M16	R0000630212	R0000630142	13	24	30
M20	R0000630222	R0000630152	16	30	37
M24	R0000630232	R0000630162	19	36	44

Packaging: 8 pieces

#### Item code for order = Part. + Code

- Footplate material: reinforced polyamide PA FV (black).
- Note: for spindles type 6 ball in reinforced polyamide.
- Packaging: 24 pieces.
- Anti-slip supplied separately.
- On request different length.
- Fmax. = maximum applicable load in static conditions.

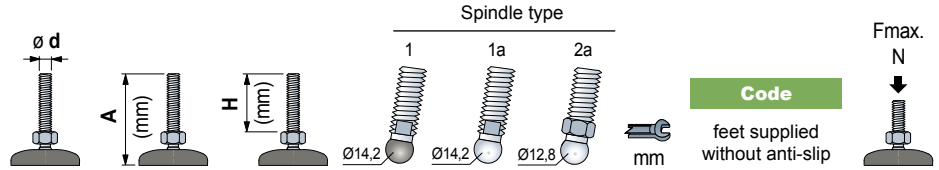


**Part. R0323**



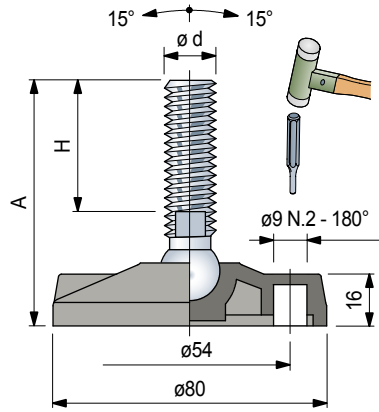
Fixing holes, obtainable by breaking "diaphragm".

- ✔ **Best Seller**
- ✔ **Standard**
- **On request**



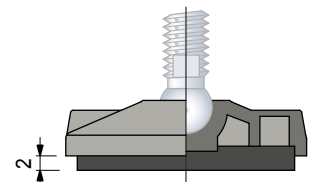
Spindle in stainless steel								Code	Fmax. N
M	A (mm)	H (mm)	1	1a	2a	mm	feet supplied without anti-slip		
M10	95	70	1	-	-	8	<b>626993</b>	8000	
M12	95	70	1	-	-	10	<b>627003</b>		
	155	130	1	-	-	10	<b>627013</b>		
M14	105	76	-	1a	-	13	<b>626572</b>	10000	
	M16	95	64	-	1a	-	13		<b>626582</b>
		110	81	-	1a	-	13		<b>626592</b>
		155	124	-	1a	-	13		<b>626602</b>
M20	180	151	-	1a	-	13	<b>626612</b>		
	115	84	-	1a	-	16	<b>626622</b>		
	180	149	-	1a	-	16	<b>626632</b>		
M24	180	146	-	1a	-	19	<b>626642</b>		

Spindle in zinc plated steel								Code	Fmax. N
M	A (mm)	H (mm)	1	1a	2a	mm	feet supplied without anti-slip		
M8	65	40	-	-	2a	12	<b>678901N</b>	9000	
	60	33	-	-	2a	12	<b>61384N</b>		
M10	95	71	-	-	2a	12	<b>60464N</b>		
	145	118	-	-	2a	12	<b>61404N</b>		
M12	70	48	-	-	2a	12	<b>61414N</b>		
	95	69	-	-	2a	12	<b>62313N</b>		
M14	120	96	-	-	2a	12	<b>678941N</b>		
	85	56	-	1a	-	11	<b>626662</b>	10000	
	M16	90	61	-	1a	-	13		<b>626672</b>
125		96	-	1a	-	13	<b>626682</b>		
M20	145	116	-	1a	-	13	<b>626692</b>		
	180	151	-	1a	-	13	<b>626702</b>		
	230	201	-	1a	-	13	<b>627023</b>		
M24	130	100	-	1a	-	16	<b>626712</b>		
	180	150	-	1a	-	16	<b>626722</b>		
M24	245	214	-	1a	-	16	<b>626732</b>		
	115	81	-	1a	-	19	<b>626742</b>		
	180	146	-	1a	-	19	<b>626752</b>		



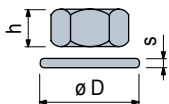
**Accessories**

**Anti-slip**



- Code: **R0000630042**.
- Material: NBR rubber (black), 70 Shore.
- Assembly: press-fit.
- Packaging: 24 pieces

**Nut + Washer**



M	Code		h (mm)	øD (mm)	s (mm)
	Stainless steel AISI 304	Zinc plated steel			
M8	-	<b>R0000630102</b>	6,5	13	1,6
M10	<b>R0000630182</b>	<b>R0000630112</b>	8	17	2
M12	<b>R0000630192</b>	<b>R0000630122</b>	10	19	2,5
M14	<b>R0000630202</b>	<b>R0000630132</b>	11	22	2,5
M16	<b>R0000630212</b>	<b>R0000630142</b>	13	24	3
M20	<b>R0000630222</b>	<b>R0000630152</b>	16	30	3
M24	<b>R0000630232</b>	<b>R0000630162</b>	19	36	4

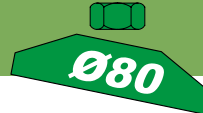
Packaging: 24 pieces (for M8, M10).  
8 pieces (for M12, M14, M16, M20, M24).

**Item code for order = Part. + Code**

- Footplate material: reinforced polyamide PA FV (black).
- Note: for spindles type 1 ball in reinforced polyamide.
- Packaging: 24 pieces.
- Anti-slip supplied separately.
- On request different length.
- Fmax. = maximum applicable load in static conditions.

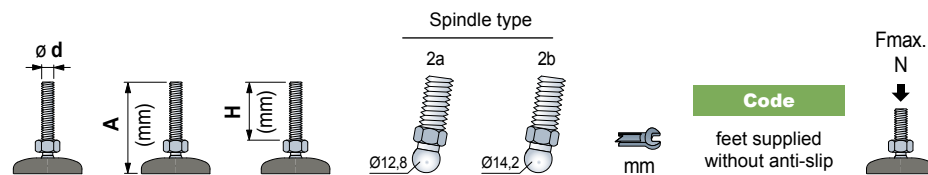
# Articulated Feet

in reinforced polyamide



- **Best Seller**
- **Standard**
- ✓ **On request**

## Part. R0323



Spindle in stainless steel						
M10	95	71	2a	-	12	65686N
M12	95	69	2a	-	12	65596N
	155	132	2a	-	12	679061N
M14	95	68	2a	-	12	626842
M16	100	72	2a	-	15	626852
	160	132	2a	-	15	626862

9000

Spindle in zinc plated steel						
M16	75	48	-	2b	16	685981N
	95	68	-	2b	16	62353N
	115	89	-	2b	16	686001N
	155	130	-	2b	16	686021N
	190	165	-	2b	16	62383N
	230	201	-	2b	16	679021N

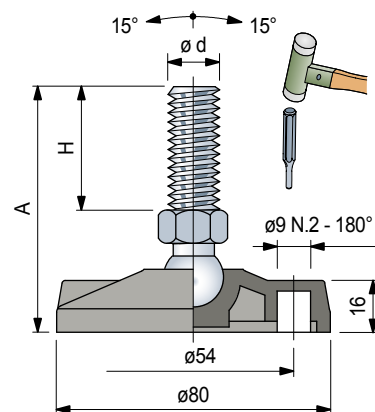
10000

### Item code for order = Part. + Code

- Footplate material : reinforced polyamide PA FV ( black ).
- Packaging : 24 pieces.
- Anti-slip supplied separately.
- On request different length.
- Fmax. = maximum applicable load in static conditions.

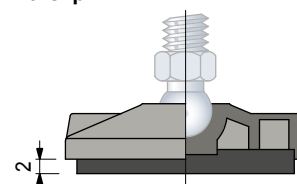


Fixing holes, obtainable by breaking "diaphragm".



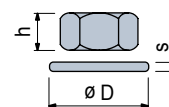
### Accessories

#### Anti-slip



- Code: **R0000630042**.
- Material: NBR rubber (black), 70 Shore.
- Assembly: press-fit.
- Packaging: 24 pieces

#### Nut + Washer



Code		h	ø D	s		
Stainless steel AISI 304	Zinc plated steel	mm	mm	mm		
M8	-	R0000630102	6,5	13	17	1,6
M10	R0000630182	R0000630112	8	17	21	2
M12	R0000630192	R0000630122	10	19	24	2,5
M14	R0000630202	R0000630132	11	22	28	2,5
M16	R0000630212	R0000630142	13	24	30	3
M20	R0000630222	R0000630152	16	30	37	3
M24	R0000630232	R0000630162	19	36	44	4

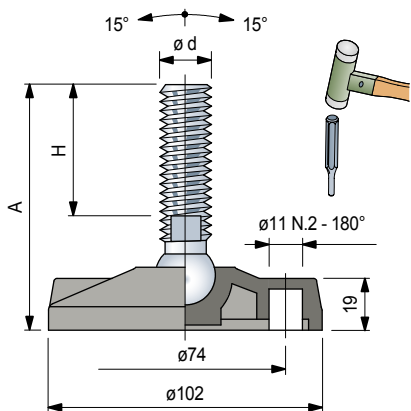
Packaging: 24 pieces (for M8, M10).  
8 pieces (for M12, M14, M16, M20, M24).

## Part. R0133

-  **Best Seller**
-  **Standard**
-  **On request**

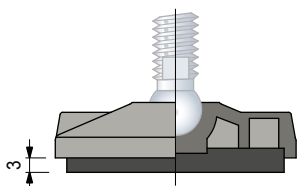


Fixing holes, obtainable by breaking "diaphragm".



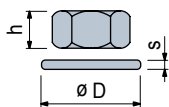
### Accessories

#### Anti-slip




- Code: **R0000630052**.
- Material: NBR rubber (black), 70 Shore.
- Assembly: press-fit.
- Packaging: 24 pieces

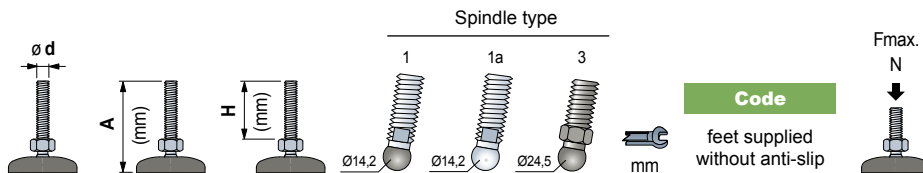
#### Nut + Washer



#### Code

	Stainless steel AISI 304	Zinc plated steel	h mm	 øD mm	s mm	
M12	R0000630192	R0000630122	10	19	24	2,5
M14	R0000630202	R0000630132	11	22	28	2,5
M16	R0000630212	R0000630142	13	24	30	3
M20	R0000630222	R0000630152	16	30	37	3
M24	R0000630232	R0000630162	19	36	44	4

Packaging: 8 pieces



#### Spindle in stainless steel

Code	h (mm)	H (mm)	Spindle type			Fmax. N
			1	1a	3	
M12	90	55	1	-	-	8000
	135	100	1	-	-	
	185	150	1	-	-	
M14	110	76	-	1a	-	12000
	100	64	-	1a	-	
M16	115	81	-	1a	-	12000
	160	124	-	1a	-	
	185	151	-	1a	-	
	205	169	-	1a	-	
	225	190	-	1a	-	
M20	120	84	-	1a	-	12000
	185	149	-	1a	-	
	245	208	-	1a	-	
M24	120	79	-	1a	-	12000
	185	146	-	1a	-	
	220	179	-	1a	-	
	250	209	-	1a	-	

#### Spindle in zinc plated steel

Code	h (mm)	H (mm)	Spindle type			Fmax. N
			1	1a	3	
M12	105	70	1	-	-	8000
M14	90	56	-	1a	-	12000
	85	48	-	1a	-	
	95	61	-	1a	-	
	130	96	-	1a	-	
	150	116	-	1a	-	
M16	165	131	-	1a	-	12000
	185	151	-	1a	-	
	200	165	-	1a	-	
	235	201	-	1a	-	
	115	74	-	1a	-	
M20	135	100	-	1a	-	12000
	150	113	-	1a	-	
	185	150	-	1a	-	
	250	214	-	1a	-	
M24	120	81	-	1a	-	12000
	185	146	-	1a	-	
	330	288	-	1a	-	

#### Spindle in reinforced polyamid (black) with steel pin

Code	h (mm)	H (mm)	Spindle type	Fmax. N
M16	100	54	- - 3	24
M20	120	69	- - 3	30
	180	129	- - 3	30

#### Item code for order = Part. + Code

- Footplate material: reinforced polyamide PA FV (black).
- Note: for spindles type 1 ball in reinforced polyamide.
- Packaging: 24 pieces.
- Anti-slip supplied separately.
- On request different length.
- Fmax. = maximum applicable load in static conditions.

# Articulated Feet

in reinforced polyamide

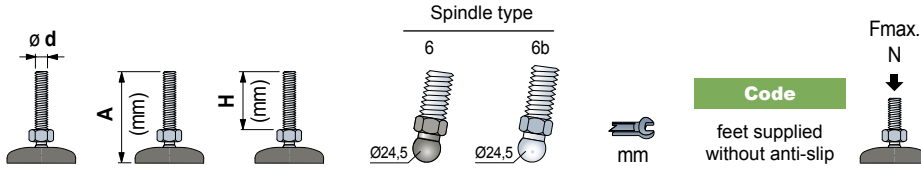
Ø100

REXNORD

- **Best Seller**
- **Standard**
- ✓ **On request**

## Part. R0133

### Reinforced version



#### Spindle in stainless steel

	A (mm)	H (mm)	Spindle type	mm	Code	
<b>M12</b>	100	53	6	-	19	679231N
	150	103	6	-	19	679251N
	195	149	6	-	19	679271N
<b>M14</b>	150	103	6	-	19	679311N
	100	53	6	-	24	679351N
<b>M16</b>	115	74	-	6b	24	627212
	150	109	-	6b	24	627222
	185	144	-	6b	24	627232
	200	159	-	6b	24	627242
	220	181	-	6b	24	679461N1
<b>M20</b>	115	74	-	6b	24	627252N
	180	139	-	6b	24	627262N
	245	204	-	6b	24	686321N1
<b>M24</b>	120	79	-	6b	24	627272
	220	179	-	6b	24	627282

13000

#### Spindle in zinc plated steel

	A (mm)	H (mm)	Spindle type	mm	Code	
<b>M12</b>	110	64	6	-	19	679121N
	95	54	-	6b	24	627322
<b>M16</b>	130	89	-	6b	24	627332
	160	119	-	6b	24	627342
	195	154	-	6b	24	627352
<b>M20</b>	115	76	-	6b	24	627362N
	150	111	-	6b	24	627372N
	180	141	-	6b	24	627382N
	245	206	-	6b	24	627392N
<b>M24</b>	120	79	-	6b	24	627402
	185	144	-	6b	24	627412
	325	288	-	6b	24	679211N1

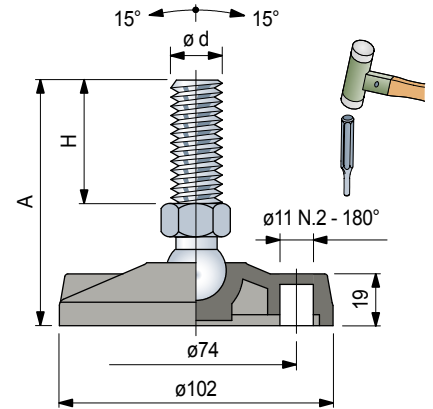
13000

#### Item code for order = Part. + Code

- Footplate material: reinforced polyamide PA FV (black).
- Note: for spindles type 6 ball in reinforced polyamide.
- Packaging: 24 pieces.
- Anti-slip supplied separately.
- On request different length.
- Fmax. = maximum applicable load in static conditions.

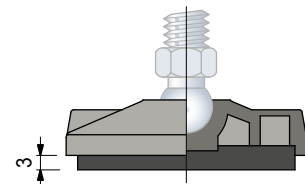


Fixing holes, obtainable by breaking "diaphragm".



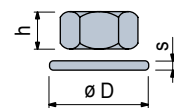
#### Accessories

##### Anti-slip



- Code: **R0000630052**.
- Material: NBR rubber (black), 70 Shore.
- Assembly: press-fit.
- Packaging: 24 pieces

##### Nut + Washer



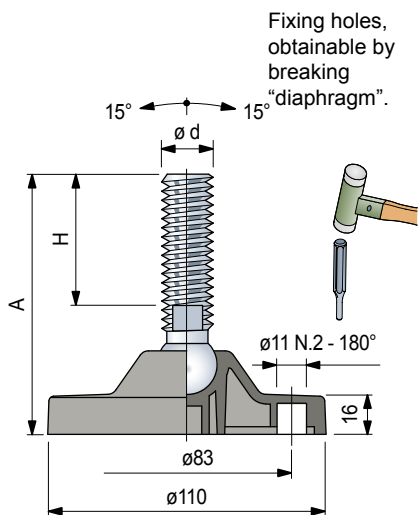
#### Code

	Stainless steel AISI 304	Zinc plated steel	h mm	s mm	øD mm	s mm
M12	R0000630192	R0000630122	10	19	24	2,5
M14	R0000630202	R0000630132	11	22	28	2,5
M16	R0000630212	R0000630142	13	24	30	3
M20	R0000630222	R0000630152	16	30	37	3
M24	R0000630232	R0000630162	19	36	44	4

Packaging: 8 pieces

## Part. R0479

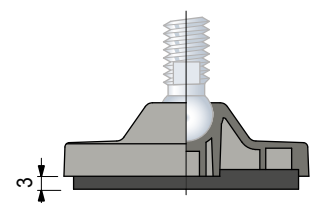
- ✔ **Best Seller**
- ✔ **Standard**
- **On request**



Fixing holes, obtainable by breaking "diaphragm".

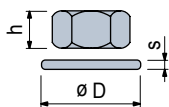
### Accessories

#### Anti-slip



- Code: **R0000630062**.
- Material: NBR rubber (black), 70 Shore.
- Assembly: press-fit.
- Packaging: 16 pieces

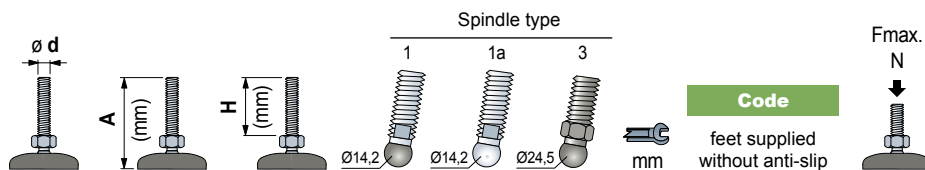
#### Nut + Washer



#### Code

	Stainless steel AISI 304	Zinc plated steel	h mm	Ø mm	s mm
M12	R0000630192	R0000630122	10	19	24
M14	R0000630202	R0000630132	11	22	28
M16	R0000630212	R0000630142	13	24	30
M20	R0000630222	R0000630152	16	30	37
M24	R0000630232	R0000630162	19	36	44

Packaging: 8 pieces



#### Spindle in stainless steel

Code	h (mm)	Ø (mm)	Spindle type	mm	Fmax. N
M12	100	55	1	-	8000
	145	100	1	-	8000
	195	150	1	-	8000
M14	120	76	-	1a	15000
	195	150	-	1a	15000
M16	110	64	-	1a	15000
	125	81	-	1a	15000
	170	124	-	1a	15000
	195	151	-	1a	15000
	215	169	-	1a	15000
M20	235	190	-	1a	15000
	130	84	-	1a	15000
	195	149	-	1a	15000
M24	255	208	-	1a	15000
	130	79	-	1a	15000
	195	146	-	1a	15000
	230	179	-	1a	15000
	260	209	-	1a	15000

#### Spindle in zinc plated steel

Code	h (mm)	Ø (mm)	Spindle type	mm	Fmax. N
M12	115	70	1	-	8000
M14	100	56	-	1a	15000
	95	48	-	1a	15000
	105	61	-	1a	15000
	140	96	-	1a	15000
	160	116	-	1a	15000
	175	131	-	1a	15000
	195	151	-	1a	15000
M16	210	165	-	1a	15000
	245	201	-	1a	15000
	125	74	-	1a	15000
	140	100	-	1a	15000
	160	113	-	1a	15000
M20	190	150	-	1a	15000
	260	214	-	1a	15000
	130	81	-	1a	15000
	195	146	-	1a	15000
	340	288	-	1a	15000

#### Spindle in reinforced polyamid (black) with steel pin

Code	h (mm)	Ø (mm)	Spindle type	mm	Fmax. N
M16	110	54	-	3	6000
M20	130	69	-	3	6000
	190	129	-	3	6000

#### Item code for order = Part. + Code

- Footplate material: reinforced polyamide PA FV (black).
- Note: for spindles type 1 ball in reinforced polyamide.
- Packaging: 16 pieces.
- Anti-slip supplied separately.
- On request different length.
- Fmax. = maximum applicable load in static conditions.

# Articulated Feet

in reinforced polyamide

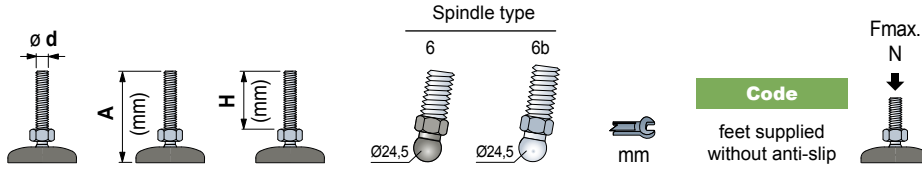
Ø110

REXNORD

- **Best Seller**
- **Standard**
- ✓ **On request**

## Part. R0479

### Reinforced version



#### Spindle in stainless steel

	110	160	205	6	6b	19	24	
<b>M12</b>	110	160	205	6	-	19	24	636181N
	160	160	205	6	-	19	24	636201N
	205	160	205	6	-	19	24	636221N
<b>M14</b>	160	160	205	6	-	19	24	636261N
	110	125	160	6	-	24	24	636331N
<b>M16</b>	110	125	160	6	-	24	24	627422
	125	160	195	-	6b	24	24	627432
	160	160	195	-	6b	24	24	627442
	195	210	235	-	6b	24	24	627452
	210	235	181	-	6b	24	24	675591N1
<b>M20</b>	125	190	255	-	6b	24	24	627462N
	190	190	255	-	6b	24	24	627472N
	255	255	204	-	6b	24	24	686561N1
<b>M24</b>	130	230	179	-	6b	24	24	627482
	230	230	179	-	6b	24	24	627492

20000

#### Spindle in zinc plated steel

	120	105	140	170	205	6	6b	19	24	
<b>M12</b>	120	105	140	170	205	6	-	19	24	675341N
	105	140	170	205	205	-	6b	24	24	627532
<b>M16</b>	140	170	170	119	205	-	6b	24	24	627542
	170	170	119	119	154	-	6b	24	24	627552
	205	125	165	111	190	-	6b	24	24	627562
<b>M20</b>	125	165	190	141	255	-	6b	24	24	627572N
	165	190	190	141	255	-	6b	24	24	627582N
	190	255	255	206	130	-	6b	24	24	627592N
	255	130	195	144	340	-	6b	24	24	627602N
<b>M24</b>	130	195	195	144	340	-	6b	24	24	627612
	195	340	288	-	6b	24	24	24	24	627622
	340	288	-	6b	24	24	24	24	24	675501N1

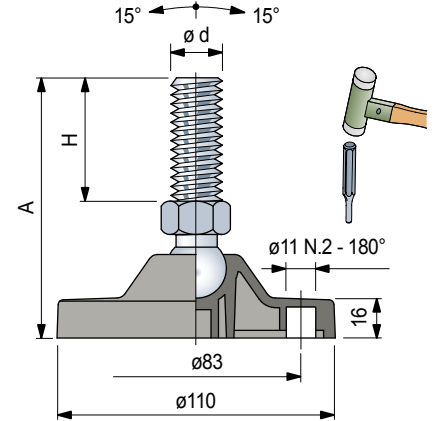
20000

#### Item code for order = Part. + Code

- Footplate material: reinforced polyamide PA FV (black).
- Note: for spindles type 6 ball in reinforced polyamide.
- Packaging: 24 pieces.
- Anti-slip supplied separately.
- On request different length.
- Fmax. = maximum applicable load in static conditions.

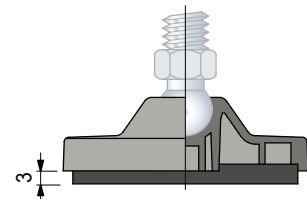


Fixing holes, obtainable by breaking "diaphragm".



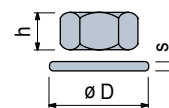
#### Accessories

##### Anti-slip



- Code: **R0000630062**.
- Material: NBR rubber (black), 70 Shore.
- Assembly: press-fit.
- Packaging: 16 pieces

##### Nut + Washer



#### Code

	Stainless steel AISI 304	Zinc plated steel	h mm	s mm	ØD mm	s mm
M12	R0000630192	R0000630122	10	19	24	2,5
M14	R0000630202	R0000630132	11	22	28	2,5
M16	R0000630212	R0000630142	13	24	30	3
M20	R0000630222	R0000630152	16	30	37	3
M24	R0000630232	R0000630162	19	36	44	4

Packaging: 8 pieces

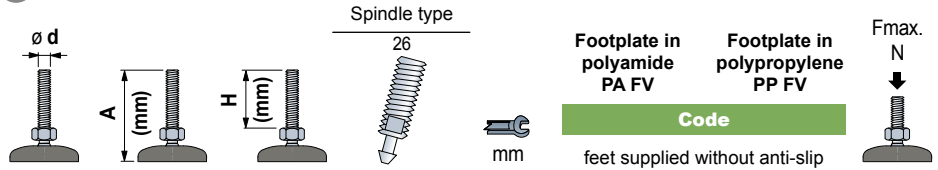
# Articulated Feet

in reinforced polyamide and polypropylene

## Part. R0869



- ✔ **Best Seller**
- ✔ **Standard**
- **On request**

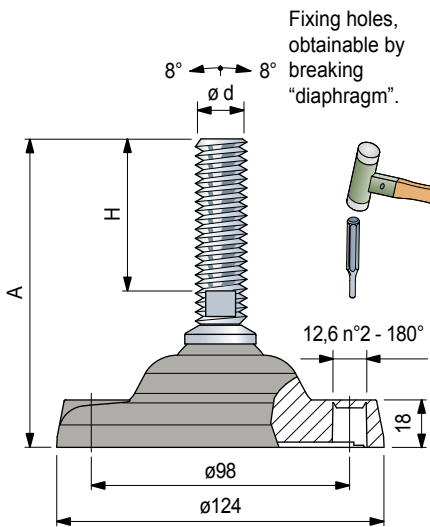


### Spindle in stainless steel

Spindle	Footplate in polyamide PA FV		Footplate in polypropylene PP FV		Fmax. N
	Code	Code	Code	Code	
M16	110	50	26	13	45000 (PA FV)
	140	80	26	13	
	170	110	26	13	
	200	140	26	13	
	230	170	26	13	
M20	140	79	26	17	13000 (PP FV)
	200	139	26	17	
	260	199	26	17	
	290	229	26	17	
	140	77	26	19	
M24	210	147	26	19	13000 (PP FV)
	240	177	26	19	
	270	207	26	19	

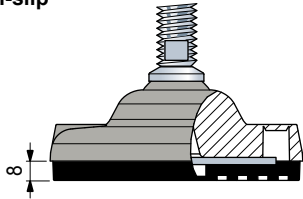
### Spindle in zinc plated steel

Spindle	Footplate in polyamide PA FV		Footplate in polypropylene PP FV		Fmax. N
	Code	Code	Code	Code	
M16	110	50	26	13	45000 (PA FV)
	140	80	26	13	
	170	110	26	13	
	200	140	26	13	
	230	170	26	13	
M20	140	79	26	17	13000 (PP FV)
	170	109	26	17	
	200	139	26	17	
	230	169	26	17	
	260	199	26	17	
M24	140	77	26	19	13000 (PP FV)
	170	107	26	19	
	200	137	26	19	
	230	167	26	19	
	290	227	26	19	



### Accessories

#### Anti-slip

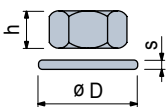


- Code with reinforcement disc: **R0000630082**.
- Code without reinforcement disc: **R0000630092**.
- Assembly: with screws for plate supplied loose.
- Material: NBR rubber (black), 80 Shore.
- Packaging: 8 pieces.

### Item code for order = Part. + Code

- Footplate material: reinforced polyamide PA FV (black) and reinforced polypropylene PP FV (black).
- Packaging: 8 pieces.
- Anti-slip supplied separately (on request supplied fixed to the foot).
- On request different length.
- Fmax. = maximum applicable load in static conditions.

### Nut + Washer



#### Code

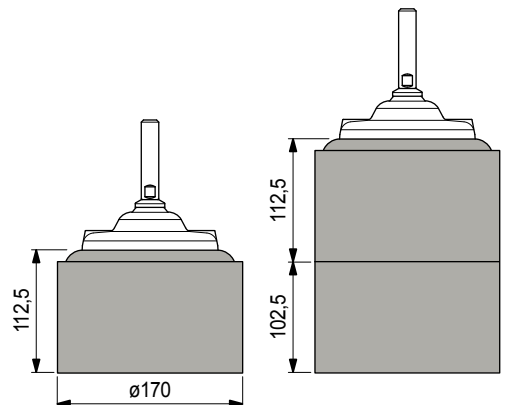
	Stainless steel AISI 304	Zinc plated steel	h mm	ø D mm	s mm
M16	R0000630212	R0000630142	13	24	30
M20	R0000630222	R0000630152	16	30	37
M24	R0000630232	R0000630162	19	36	44
M30	R0000630242	R0000630172	24	46	56

Packaging: 8 pieces

### Part. R0726 - Spacer



- Code: **688772**.
- Material: acetal POM (black).
- Weight: 1,15 Kg.
- Packaging: 8 pieces.



# Articulated Feet

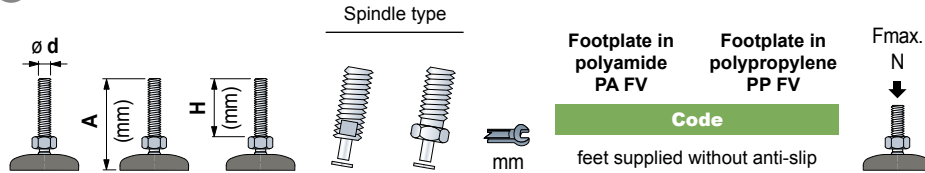
in reinforced polyamide and polypropylene

Ø124

REXNORD

- **Best Seller**
- **Standard**
- ✓ **On request**

## Part. R0169



### Spindle in stainless steel

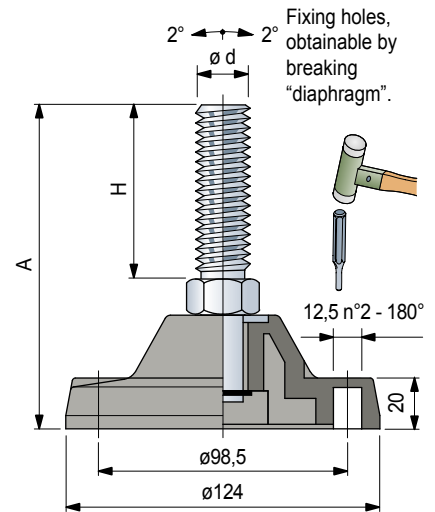
	M16	M20	M24	M30		Code		Fmax. N
	255	200	21	-	13	<b>604993</b>	-	45000
	140	81	-	22	30	<b>624802</b>	<b>628682</b>	(PA FV)
	205	146	-	22	30	<b>624812</b>	<b>628692</b>	
	205	152	21	-	19	<b>624822</b>	<b>628702</b>	13000
	205	152	21	-	24	<b>624832</b>	<b>628712</b>	(PP FV)

### Spindle in zinc plated steel

	M16	M20	M24			Code		Fmax. N
	255	200	-	22	24	<b>624842</b>	<b>628722</b>	
	255	200	21	-	13	<b>604983</b>	-	45000
	140	81	-	22	30	<b>624852</b>	<b>628732</b>	(PA FV)
	205	146	-	22	30	<b>624862</b>	<b>628742</b>	
	205	154	21	-	17	<b>611653</b>	<b>636162</b>	13000
	255	195	-	22	30	<b>624872</b>	<b>628752</b>	(PP FV)
	145	91	21	-	19	<b>624882</b>	<b>628762</b>	
	205	152	21	-	19	<b>624892</b>	<b>628772</b>	

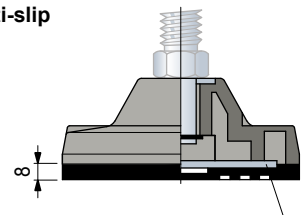
### Item code for order = Part. + Code

- Footplate material: reinforced polyamide PA FV (black) and reinforced polypropylene PP FV (black).
- Packaging: 8 pieces.
- Anti-slip supplied separately (on request supplied fixed to the foot).
- On request different length.
- Fmax. = maximum applicable load in static conditions.



### Accessories

#### Anti-slip

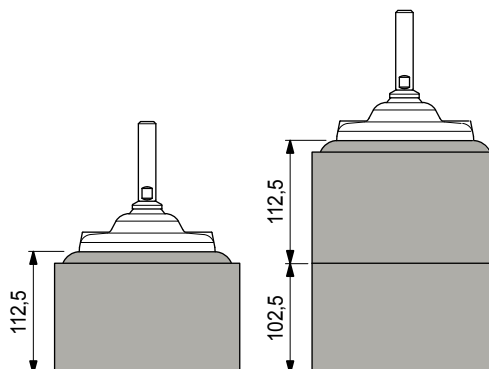


- Code with reinforcement disc: **R000630082**.
- Code without reinforcement disc: **R000630092**.
- Assembly: with screws for plate supplied loose.
- Material: NBR rubber (black), 80 Shore.
- Packaging: 8 pieces.

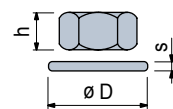
## Part. R0726 - Spacer



- Code: **688772**.
- Material: acetal POM (black).
- Weight: 1,15 Kg.
- Packaging: 8 pieces.



### Nut + Washer



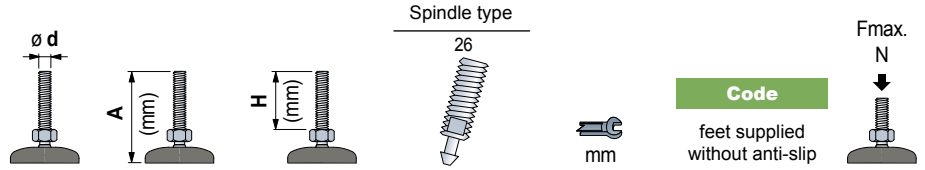
	Code	Code	h mm	s mm	ø D mm	s mm
Stainless steel AISI 304		Zinc plated steel				
M16	<b>R0000630212</b>	<b>R0000630142</b>	13	24	30	3
M20	<b>R0000630222</b>	<b>R0000630152</b>	16	30	37	3
M24	<b>R0000630232</b>	<b>R0000630162</b>	19	36	44	4
M30	<b>R0000630242</b>	<b>R0000630172</b>	24	46	56	4

Packaging: 8 pieces



- ✔ **Best Seller**
- ✔ **Standard**
- **On request**

## Part. R0134

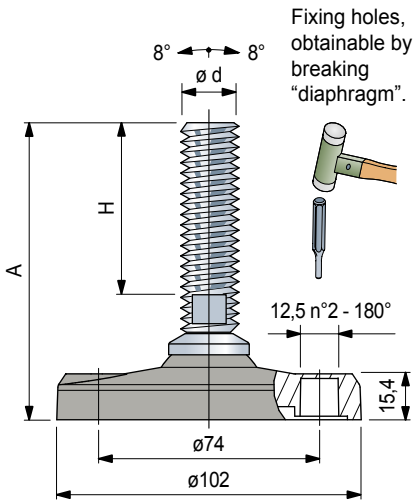


Spindle in stainless steel						Code	feet supplied without anti-slip	Fmax. N
	150	110	26	13				
M16	150	110	26	13	<b>627413</b>	20000		
	180	140	26	13	<b>627423</b>			
M20	180	139	26	17	<b>627433</b>			
	195	147	26	19	<b>627443</b>			
M24	225	177	26	19	<b>627453</b>			

Spindle in zinc plated steel						Code	Fmax. N
	150	109	26	17			
M20	150	109	26	17	<b>627483</b>	20000	
	180	139	26	17	<b>627493</b>		

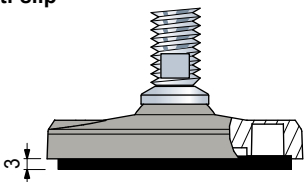
### Item code for order = Part. + Code

- Footplate material: reinforced polyamide PA FV (black).
- Packaging: 24 pieces.
- Anti-slip supplied separately.
- On request different length.
- Fmax. = maximum applicable load in static conditions.



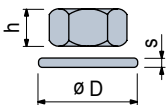
### Accessories

#### Anti-slip



- Code: **R0000630052**.
- Material: NBR rubber (black), 70 Shore.
- Assembly: press-fit.
- Packaging: 24 pieces

#### Nut + Washer



	Code		h	øD	s
	Stainless steel AISI 304	Zinc plated steel	mm	mm	mm
M16	<b>R0000630212</b>	<b>R0000630142</b>	13	24	30
M20	<b>R0000630222</b>	<b>R0000630152</b>	16	30	37
M24	<b>R0000630232</b>	<b>R0000630162</b>	19	36	44
M30	<b>R0000630242</b>	<b>R0000630172</b>	24	46	56

Packaging: 8 pieces

# Articulated Feet

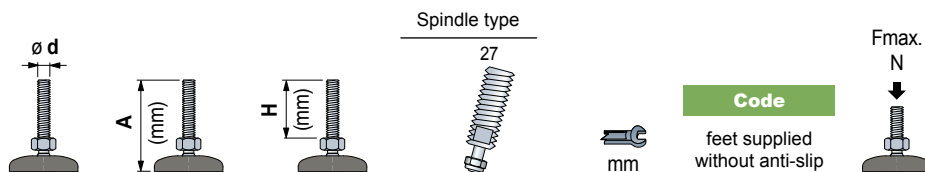
in reinforced polyamide

Ø124

REXNORD

- ✓ **Best Seller**
- ✓ **Standard**
- ✓ **On request**

Part. **R0297**



Spindle in stainless steel					
M16	185	115	27	13	629182N1
	210	140	27	13	629192N1
M20	210	140	27	17	629202N1
M24	245	175	27	19	680371N1
M30	195	125	27	24	629212N1
	250	180	27	24	629222N1

45000

Spindle in zinc plated steel					
M20	175	110	27	17	629232N1
	205	140	27	17	629242N1
M30	195	125	27	24	629252N1
	250	180	27	24	629262N1
	330	260	27	24	688071N1

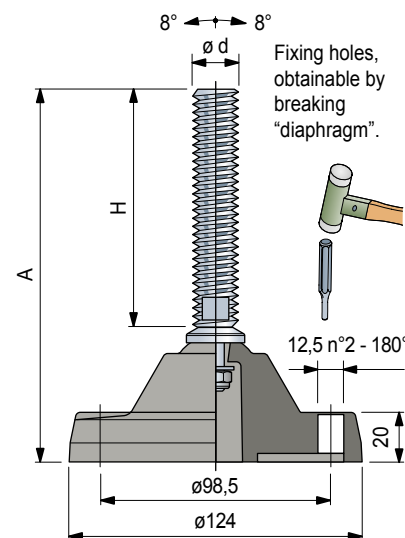
45000

**Item code for order = Part. + Code**

- Footplate material: reinforced polyamide PA FV (black).
- Packaging: 8 pieces.
- Anti-slip supplied separately (on request supplied fixed to the foot).
- On request different length.
- Fmax. = maximum applicable load in static conditions.

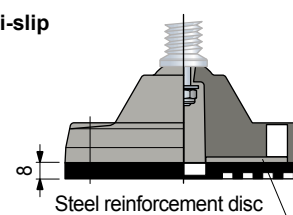


**NEW**



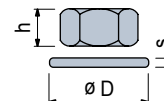
**Accessories**

**Anti-slip**



- Code with reinforcement disc: **R0000630082**.
- Code without reinforcement disc: **R0000630092**.
- Assembly: with screws for plate supplied loose.
- Material: NBR rubber (black), 80 Shore.
- Packaging: 8 pieces.

**Nut + Washer**



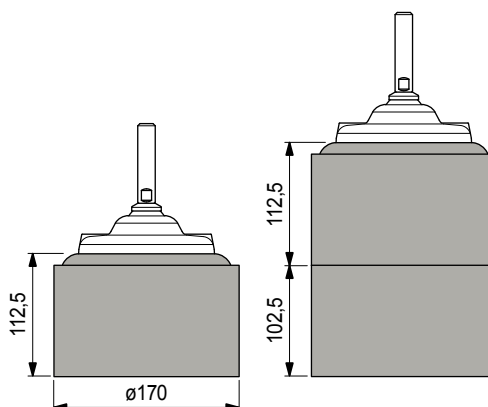
	Code		h	øD	s
	Stainless steel AISI 304	Zinc plated steel	mm	mm	mm
M16	R0000630212	R0000630142	13	24	30
M20	R0000630222	R0000630152	16	30	37
M24	R0000630232	R0000630162	19	36	44
M30	R0000630242	R0000630172	24	46	56

Packaging: 8 pieces

Part. **R0726 - Spacer**

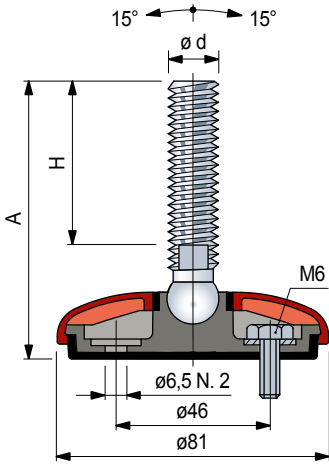


- Code: **688772**.
- Material: acetal POM (black).
- Weight: 1,15 Kg.
- Packaging: 8 pieces.



## Part. R0626

- ✔ **Best Seller**
- ✔ **Standard**
- **On request**



### Protection cap

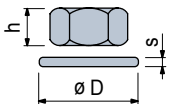
Color	Code
Orange	R0626641942
Black	R0626641952



- Material: polypropylene PP.
- Packaging: 24 pieces.

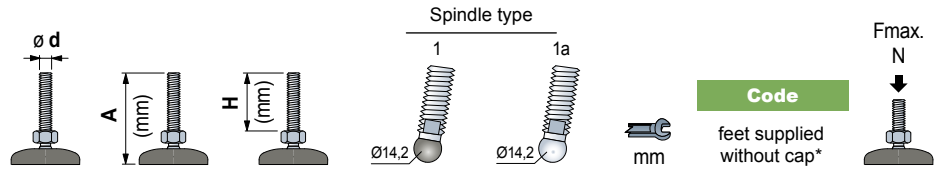
### Accessories

#### Nut + Washer



	Code		h		$\varnothing D$	s
	Stainless steel AISI 304	Zinc plated steel	mm	mm	mm	mm
M10	R0000630182	R0000630112	8	17	21	2
M12	R0000630192	R0000630122	10	19	24	2,5
M14	R0000630202	R0000630132	11	22	28	2,5
M16	R0000630212	R0000630142	13	24	30	3
M20	R0000630222	R0000630152	16	30	37	3
M24	R0000630232	R0000630162	19	36	44	4

Packaging: 24 pieces (for M10),  
8 pieces (for M12, M14, M16, M20, M24)



Spindle in stainless steel							Code	feet supplied without cap*	Fmax. N
M	A (mm)	H (mm)	1	1a	mm				
M10	100	70	1	-	8	<b>627533</b>	8000		
M12	85	55	1	-	10	<b>627543</b>			
	145	115	1	-	10	<b>627553</b>			
M14	110	76	-	1a	13	<b>641712</b>	10000		
	100	64	-	1a	13	<b>641722</b>			
M16	115	81	-	1a	13	<b>641732</b>			
	160	124	-	1a	13	<b>641742</b>			
	185	151	-	1a	13	<b>641752</b>			
M20	120	84	-	1a	16	<b>641762</b>			
	185	149	-	1a	16	<b>641772</b>			
M24	185	146	-	1a	19	<b>641782</b>			

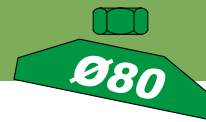
Spindle in zinc plated steel							Code	feet supplied without cap*	Fmax. N
M	A (mm)	H (mm)	1	1a	mm				
M10	60	30	1	-	8	<b>602603</b>	8000		
M12	100	70	1	-	10	<b>627593</b>			
M14	90	56	-	1a	11	<b>641792</b>	10000		
	95	61	-	1a	13	<b>641812</b>			
	130	96	-	1a	13	<b>641822</b>			
M16	150	116	-	1a	13	<b>641832</b>			
	185	151	-	1a	13	<b>641842</b>			
	235	201	-	1a	13	<b>627613</b>			
	135	100	-	1a	16	<b>641862</b>			
M20	185	150	-	1a	16	<b>641872</b>			
	250	214	-	1a	16	<b>641882</b>			
M24	120	81	-	1a	19	<b>641892</b>			
	185	146	-	1a	19	<b>641902</b>			

### Item code for order = Part. + Code

- \* = Feet are supplied without protection caps. Caps have to be ordered separately, indicating selected colour.
- Base material: reinforced polypropylene with integrated anti-slip in thermoplastic rubber grey (70 Shore).
- The sealing of the internal structure guarantees a better hygiene.
- Feet can be fixed to the floor.
- Note: for spindles type 1 ball in reinforced polyamide.
- Packaging: 24 pieces.
- On request different length.
- Fmax. = maximum applicable load in static conditions.

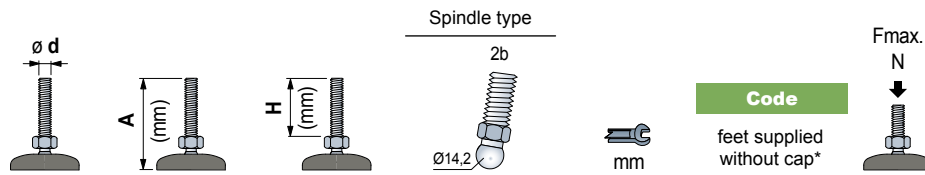
# Articulated Feet Gripper

in reinforced polypropylene



- **Best Seller**
- **Standard**
- ✓ **On request**

## Part. R0626



Spindle in stainless steel					
M10	95	67	2b	14	641392
	85	55	2b	14	641402
M12	145	115	2b	14	641412

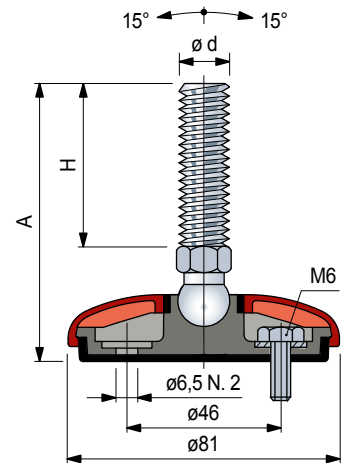
10000

Spindle in zinc plated steel					
M10	60	30	2b	14	641522
	95	65	2b	14	641532
	145	115	2b	14	641542
M12	65	35	2b	14	641552
	100	70	2b	14	641562
	120	90	2b	14	641572
M16	80	48	2b	16	641592
	100	68	2b	16	641602
	120	89	2b	16	641612
	160	130	2b	16	643052
	195	165	2b	16	641632
	235	201	2b	16	641642

10000

### Item code for order = Part. + Code

- \* = Feet are supplied without protection caps. Caps have to be ordered separately, indicating selected colour.
- Base material: reinforced polypropylene with integrated anti-slip in thermoplastic rubber grey (70 Shore).
- The sealing of the internal structure guarantees a better hygiene.
- Feet can be fixed to the floor.
- Packaging: 24 pieces.
- On request different length.
- Fmax. = maximum applicable load in static conditions.



### Protection cap

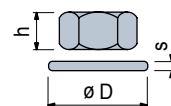
Color	Code
Orange	R0626641942
Black	R0626641952



- Material: polypropylene PP.
- Packaging: 24 pieces.

### Accessories

#### Nut + Washer

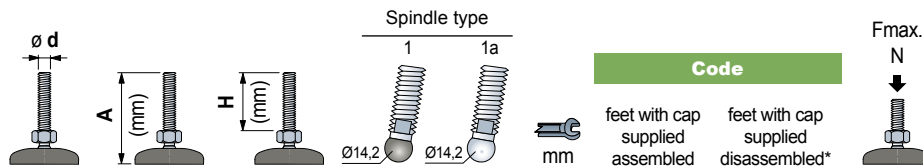
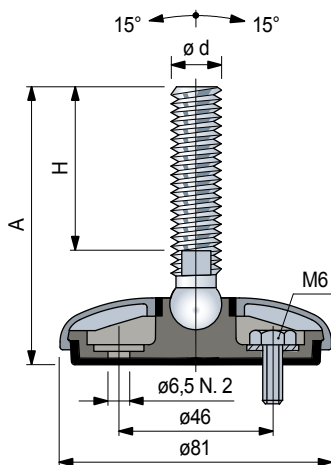


	Code		h	ø D	s
	Stainless steel AISI 304	Zinc plated steel	mm	mm	mm
M10	R0000630182	R0000630112	8	17	21 2
M12	R0000630192	R0000630122	10	19	24 2,5
M14	R0000630202	R0000630132	11	22	28 2,5
M16	R0000630212	R0000630142	13	24	30 3
M20	R0000630222	R0000630152	16	30	37 3
M24	R0000630232	R0000630162	19	36	44 4

Packaging: 24 pieces (for M10).  
8 pieces (for M12, M14, M16, M20, M24)

## Part. R0627

- ✔ **Best Seller**
- ✔ **Standard**
- **On request**



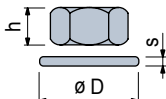
Spindle in stainless steel						Code		Fmax. N
						feet with cap supplied assembled	feet with cap supplied disassembled*	
M10	100	70	1	-	8	<b>627623</b>	<b>627653</b>	8000
	85	55	1	-	10	<b>627633</b>	<b>627663</b>	
M12	145	115	1	-	10	<b>627643</b>	<b>627673</b>	10000
	M14	110	76	-	1a	<b>642102</b>	<b>647322</b>	
M16	100	64	-	1a	13	<b>642112</b>	<b>647332</b>	10000
	115	81	-	1a	13	<b>642122</b>	<b>647342</b>	
	160	124	-	1a	13	<b>642132</b>	<b>647352</b>	
	185	151	-	1a	13	<b>642142</b>	<b>647362</b>	
M20	120	84	-	1a	16	<b>642152</b>	<b>647372</b>	10000
	185	149	-	1a	16	<b>642162</b>	<b>647382</b>	
M24	185	149	-	1a	19	<b>642172</b>	<b>647392</b>	

### Item code for order = Part. + Code

- \* = Feet can be fixed to the floor.
- Protection cap material: stainless steel AISI 304.
- Base material: reinforced polypropylene with integrated anti-slip in thermoplastic rubber grey (70 Shore).
- The sealing of the internal structure guarantees a better hygiene.
- Note: for spindles type 1 ball in reinforced polyamide.
- Packaging: 24 pieces.
- On request different length.
- Fmax. = maximum applicable load in static conditions.

### Accessories

#### Nut + Washer

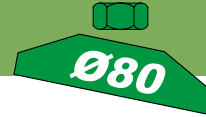


	Code	Stainless steel AISI 304	h mm	$\varnothing D$ mm	s mm
M10	<b>R0000630182</b>		8	17	2
M12	<b>R0000630192</b>		10	19	2,5
M14	<b>R0000630202</b>		11	22	2,5
M16	<b>R0000630212</b>		13	24	3
M20	<b>R0000630222</b>		16	30	3
M24	<b>R0000630232</b>		19	36	4

Packaging: 24 pieces (for M10).  
8 pieces (for M12, M14, M16, M20, M24)

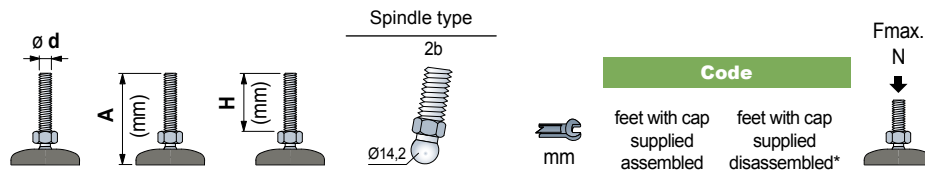
# Articulated Feet Gripper

in stainless steel



- **Best Seller**
- **Standard**
- ✓ **On request**

Part. **R0627**

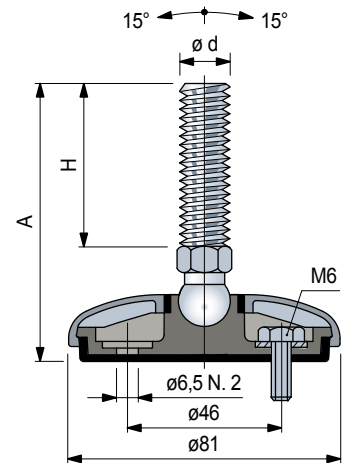


Spindle in stainless steel						
	A (mm)	H (mm)	Spindle type	mm	Code feet with cap supplied assembled	Code feet with cap supplied disassembled*
M10	95	67	2b	14	641972	647292
M12	85	55	2b	14	641982	647302
	145	115	2b	14	641992	647312

Item code for order = Part. + Code

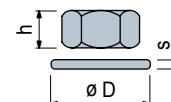
\* = Feet can be fixed to the floor.

- Protection cap material: stainless steel AISI 304.
- Base material: reinforced polypropylene with integrated anti-slip in thermoplastic rubber grey (70 Shore).
- The sealing of the internal structure guarantees a better hygiene.
- Note: for spindles type 1 ball in reinforced polyamide.
- Packaging: 24 pieces.
- On request different length.
- Fmax. = maximum applicable load in static conditions.



## Accessories

### Nut + Washer



	Code	Stainless steel AISI 304	h mm	øD mm	s mm
M10	<b>R0000630182</b>		8	17	2
M12	<b>R0000630192</b>		10	19	2,5
M14	<b>R0000630202</b>		11	22	2,5
M16	<b>R0000630212</b>		13	24	3
M20	<b>R0000630222</b>		16	30	3
M24	<b>R0000630232</b>		19	36	4

Packaging: 24 pieces (for M10).

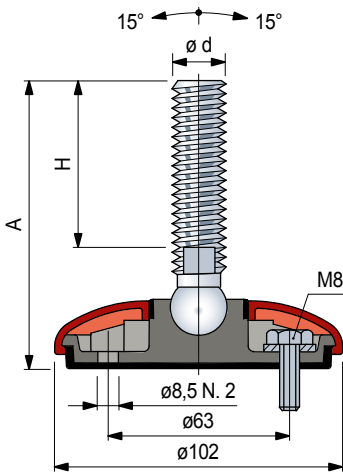
8 pieces (for M12, M14, M16, M20, M24)

# Articulated Feet Gripper

in reinforced polypropylene

- ✔ **Best Seller**
- ✔ **Standard**
- **On request**

Part. **R0622**



**Protection cap**

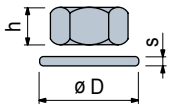
Color	Code
Orange	<b>R0622637082</b>
Black	<b>R0622639412</b>



- Material: polypropylene PP.
- Packaging: 24 pieces.

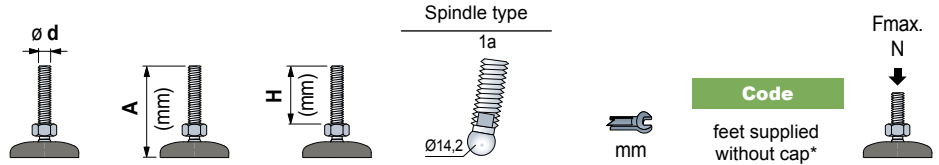
■ **Accessories**

**Nut + Washer**



	Code		h	ØD	s
	Stainless steel AISI 304	Zinc plated steel	mm	mm	mm
M14	<b>R0000630202</b>	<b>R0000630132</b>	11	22	2,5
M16	<b>R0000630212</b>	<b>R0000630142</b>	13	24	3
M20	<b>R0000630222</b>	<b>R0000630152</b>	16	30	3
M24	<b>R0000630232</b>	<b>R0000630162</b>	19	36	4

Packaging: 8 pieces.



Spindle in stainless steel					
M14	115	76	1a	11	<b>643542</b>
	105	64	1a	13	<b>643552</b>
	120	81	1a	13	<b>643562</b>
M16	150	100	1a	13	<b>640372N</b>
	165	124	1a	13	<b>643572</b>
	190	151	1a	13	<b>643582</b>
	200	150	1a	13	<b>640392N</b>
M20	125	84	1a	16	<b>643592</b>
	190	149	1a	16	<b>643602</b>
M24	120	74	1a	19	<b>640402N</b>
	190	146	1a	19	<b>643612</b>
	220	172	1a	19	<b>640412N</b>

19500

Spindle in zinc plated steel					
M14	95	56	1a	11	<b>643622</b>
	100	61	1a	13	<b>643632</b>
M16	135	96	1a	13	<b>643642</b>
	155	116	1a	13	<b>643652</b>
	190	151	1a	13	<b>643662</b>
M20	120	74	1a	16	<b>637382N</b>
	140	100	1a	16	<b>643672</b>
	155	106	1a	16	<b>637392N</b>
	190	150	1a	16	<b>643682</b>
M24	255	214	1a	16	<b>643692</b>
	125	81	1a	19	<b>643702</b>
	190	146	1a	19	<b>643712</b>

19500

**Item code for order = Part. + Code**

- \* = Feet are supplied without protection caps. Caps have to be ordered separately, indicating selected colour.
- Base material: reinforced polypropylene with integrated anti-slip in thermoplastic rubber grey (70 Shore).
- The sealing of the internal structure guarantees a better hygiene.
- Feet can be fixed to the floor.
- Packaging: 24 pieces.
- On request different length.
- Fmax. = maximum applicable load in static conditions.

# Articulated Feet Gripper

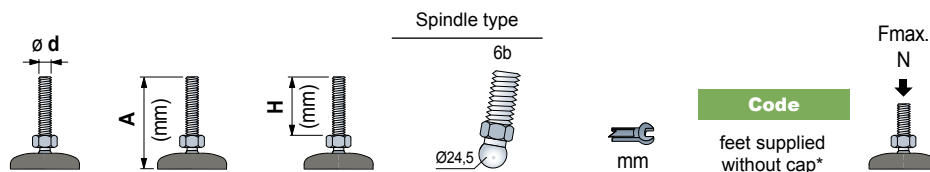
in reinforced polypropylene

Ø100

REXNORD

- **Best Seller**
- **Standard**
- ✓ **On request**

Part. **R0622**



Spindle in stainless steel					
M16	115	74	6b	24	637262
	150	109	6b	24	637272
	185	144	6b	24	637282
	200	159	6b	24	637292
M20	120	76	6b	24	637442
	185	141	6b	24	637452
M20	120	79	6b	24	637322
	220	179	6b	24	637332

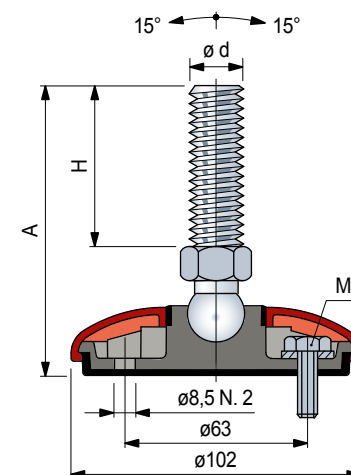
19500

Spindle in zinc plated steel					
M16	95	54	6b	24	637342
	130	89	6b	24	637352
	160	119	6b	24	637362
	195	154	6b	24	637372
M20	120	76	6b	24	637462
	155	111	6b	24	637472
	185	141	6b	24	637482
	250	206	6b	24	637492
M24	120	79	6b	24	637422
	185	144	6b	24	637432

19500

**Item code for order = Part. + Code**

- \* = Feet are supplied without protection caps. Caps have to be ordered separately, indicating selected colour.
- Base material: reinforced polypropylene with integrated anti-slip in thermoplastic rubber grey (70 Shore).
- The sealing of the internal structure guarantees a better hygiene.
- Feet can be fixed to the floor.
- Packaging: 24 pieces.
- On request different length.
- Fmax. = maximum applicable load in static conditions.



**Protection cap**

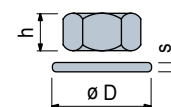
Color	Code
Orange	R0622637082
Black	R0622639412



- Material: polypropylene PP.
- Packaging: 24 pieces.

**Accessories**

**Nut + Washer**



	Code		h	øD	s
	Stainless steel AISI 304	Zinc plated steel	mm	mm	mm
M14	R0000630202	R0000630132	11	22	28 2,5
M16	R0000630212	R0000630142	13	24	30 3
M20	R0000630222	R0000630152	16	30	37 3
M24	R0000630232	R0000630162	19	36	44 4

Packaging: 8 pieces.

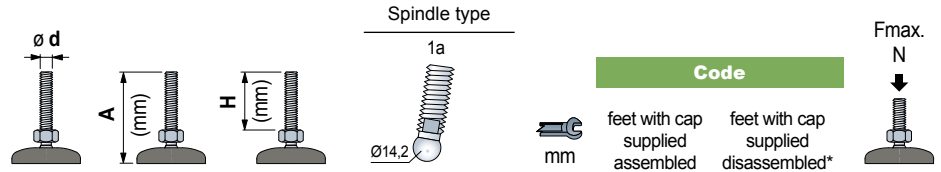
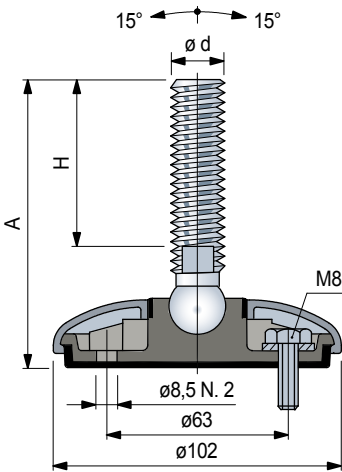


# Articulated Feet Gripper

in stainless steel

- ✔ **Best Seller**
- ✔ **Standard**
- **On request**

Part. **R0623**



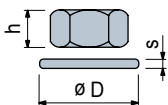
Spindle in stainless steel					Code		Fmax. N ↓
				mm	feet with cap supplied assembled	feet with cap supplied disassembled*	
<b>M14</b>	115	76	1a	11	<b>643722</b>	<b>647402</b>	19500
	105	64	1a	13	<b>643732</b>	<b>647412</b>	
	120	81	1a	13	<b>643742</b>	<b>647442</b>	
<b>M16</b>	150	100	1a	13	<b>640492N</b>	<b>647462N</b>	
	165	124	1a	13	<b>643752</b>	<b>647472</b>	
	190	151	1a	13	<b>643762</b>	<b>647502</b>	
	200	150	1a	13	<b>640512N</b>	<b>647522N</b>	
<b>M20</b>	125	84	1a	16	<b>643772</b>	<b>647552</b>	
	190	149	1a	16	<b>643782</b>	<b>647582</b>	
<b>M24</b>	120	74	1a	19	<b>640522N</b>	<b>647602N</b>	
	190	146	1a	19	<b>643792</b>	<b>647612</b>	
	220	172	1a	19	<b>640532N</b>	<b>647632N</b>	

**Item code for order = Part. + Code**

- \* = Feet can be fixed to the floor.
- Protection cap material: stainless steel AISI 304.
- Base material: reinforced polypropylene with integrated anti-slip in thermoplastic rubber grey (70 Shore).
- The sealing of the internal structure guarantees a better hygiene.
- Note: for spindles type 1 ball in reinforced polyamide.
- Packaging: 24 pieces.
- On request different length.
- Fmax. = maximum applicable load in static conditions.

**Accessories**

**Nut + Washer**



	Code	h	ØD	s
	Stainless steel AISI 304	mm	mm	mm
M14	<b>R0000630202</b>	11	22	2,5
M16	<b>R0000630212</b>	13	24	3
M20	<b>R0000630222</b>	16	30	3
M24	<b>R0000630232</b>	19	36	4

Packaging: 8 pieces

# Articulated Feet Gripper

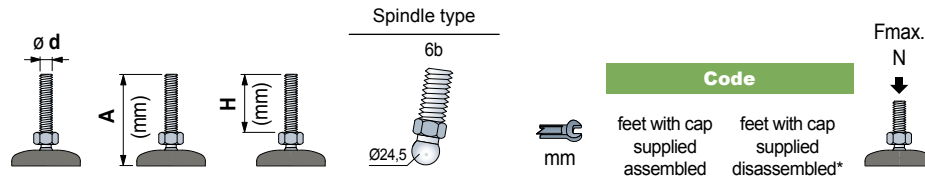
in stainless steel

Ø100

REXNORD

- **Best Seller**
- **Standard**
- ✓ **On request**

Part. **R0623**



## Spindle in stainless steel

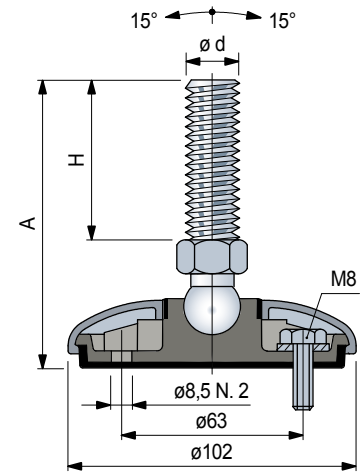
<b>M16</b>	115	74	6b	24	<b>637512</b>	<b>647422</b>
	150	109	6b	24	<b>637522</b>	<b>647452</b>
	185	144	6b	24	<b>637532</b>	<b>647482</b>
	200	159	6b	24	<b>637542</b>	<b>647512</b>
<b>M20</b>	120	74	6b	24	<b>637692</b>	<b>647532</b>
	185	139	6b	24	<b>637702</b>	<b>647562</b>
<b>M24</b>	120	79	6b	24	<b>637572</b>	<b>647592</b>
	220	179	6b	24	<b>637582</b>	<b>647622</b>

19500

### Item code for order = Part. + Code

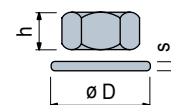
\* = Feet can be fixed to the floor.

- Protection cap material: stainless steel AISI 304.
- Base material: reinforced polypropylene with integrated anti-slip in thermoplastic rubber grey (70 Shore).
- The sealing of the internal structure guarantees a better hygiene.
- Note: for spindles type 1 ball in reinforced polyamide.
- Packaging: 24 pieces.
- On request different length.
- Fmax. = maximum applicable load in static conditions.



## Accessories

### Nut + Washer



	Code				
	Stainless steel AISI 304	h		ØD	s
		mm	mm	mm	mm
M14	<b>R0000630202</b>	11	22	28	2,5
M16	<b>R0000630212</b>	13	24	30	3
M20	<b>R0000630222</b>	16	30	37	3
M24	<b>R0000630232</b>	19	36	44	4

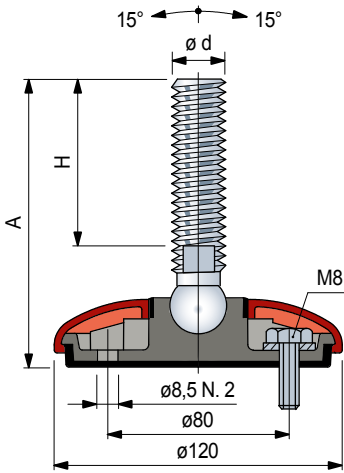
Packaging: 8 pieces

# Articulated Feet Gripper

in reinforced polypropylene

- ✔ **Best Seller**
- ✔ **Standard**
- **On request**

## Part. R0628



### Protection cap

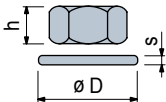
Color	Code
Orange	R0628643092
Black	R0628643102



- Material: polypropylene PP.
- Packaging: 24 pieces.

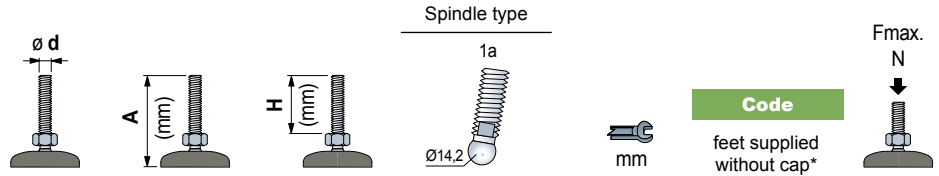
### Accessories

#### Nut + Washer



	Code		h	Washer	øD	s
	Stainless steel AISI 304	Zinc plated steel	mm	mm	mm	mm
M14	R0000630202	R0000630132	11	22	28	2,5
M16	R0000630212	R0000630142	13	24	30	3
M20	R0000630222	R0000630152	16	30	37	3
M24	R0000630232	R0000630162	19	36	44	4

Packaging: 8 pieces.



Spindle in stainless steel						Code	feet supplied without cap*	Fmax. N
M	A (mm)	H (mm)	Spindle type	Wrench (mm)				
M14	120	76	1a	11	<b>643802</b>	22000		
	110	64	1a	13	<b>643812</b>			
	125	81	1a	13	<b>643822</b>			
M16	155	100	1a	13	<b>642472N</b>			
	170	124	1a	13	<b>643832</b>			
	195	151	1a	13	<b>643842</b>			
	205	150	1a	13	<b>642512N</b>			
M20	130	84	1a	16	<b>643852</b>			
	195	149	1a	16	<b>643862</b>			
M24	125	74	1a	19	<b>642572N</b>			
	195	146	1a	19	<b>643872</b>			
	225	172	1a	19	<b>642592N</b>			

Spindle in zinc plated steel						Code	feet supplied without cap*	Fmax. N
M	A (mm)	H (mm)	Spindle type	Wrench (mm)				
M14	100	56	1a	11	<b>643882</b>	22000		
	105	61	1a	13	<b>643892</b>			
M16	140	96	1a	13	<b>643902</b>			
	160	116	1a	13	<b>643912</b>			
	195	151	1a	13	<b>643922</b>			
M20	125	74	1a	16	<b>642692N</b>			
	145	100	1a	16	<b>643932</b>			
	160	106	1a	16	<b>642712N</b>			
	195	150	1a	16	<b>643942</b>			
M24	260	214	1a	16	<b>643952</b>			
	130	81	1a	19	<b>643962</b>			
	195	146	1a	19	<b>643972</b>			

### Item code for order = Part. + Code

- \* = Feet are supplied without protection caps. Caps have to be ordered separately, indicating selected colour.
- Base material: reinforced polypropylene with integrated anti-slip in thermoplastic rubber grey (70 Shore).
- The sealing of the internal structure guarantees a better hygiene.
- Feet can be fixed to the floor.
- Packaging: 24 pieces.
- On request different length.
- Fmax. = maximum applicable load in static conditions.

# Articulated Feet Gripper

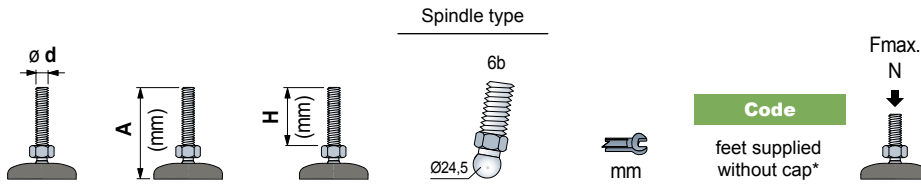
in reinforced polypropylene

Ø120

REXNORD

- **Best Seller**
- **Standard**
- ✓ **On request**

Part. **R0628**



## Spindle in stainless steel

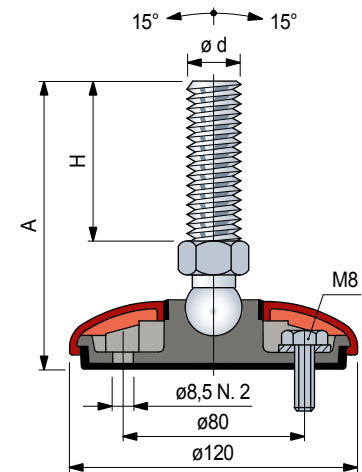
<b>M16</b>	120	74	6b	24	642442	22000
	155	109	6b	24	642462	
	190	144	6b	24	642482	
	205	159	6b	24	642502	
<b>M20</b>	125	76	6b	24	642522	22000
	190	141	6b	24	642542	
<b>M20</b>	125	79	6b	24	642562	22000
	225	179	6b	24	642582	

## Spindle in zinc plated steel

<b>M16</b>	100	54	6b	24	642602	22000
	135	89	6b	24	642622	
	165	119	6b	24	642642	
	200	154	6b	24	642662	
<b>M20</b>	125	76	6b	24	642682	22000
	160	111	6b	24	642702	
	190	141	6b	24	642722	
	255	206	6b	24	642742	
<b>M24</b>	125	79	6b	24	642762	22000
	190	144	6b	24	642782	

### Item code for order = Part. + Code

- \* = Feet are supplied without protection caps. Caps have to be ordered separately, indicating selected colour.
- Base material: reinforced polypropylene with integrated anti-slip in thermoplastic rubber grey (70 Shore).
- The sealing of the internal structure guarantees a better hygiene.
- Feet can be fixed to the floor.
- Packaging: 24 pieces.
- On request different length.
- Fmax. = maximum applicable load in static conditions.



### Protection cap

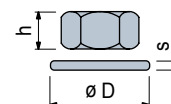
Color	Code
Orange	R0628643092
Black	R0628643102



- Material: polypropylene PP.
- Packaging: 24 pieces.

### Accessories

#### Nut + Washer

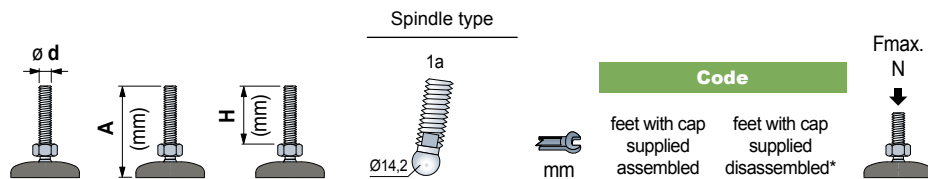


	Code					
	Stainless steel AISI 304	Zinc plated steel	h mm	øD mm	s mm	
M14	R0000630202	R0000630132	11	22	28	2,5
M16	R0000630212	R0000630142	13	24	30	3
M20	R0000630222	R0000630152	16	30	37	3
M24	R0000630232	R0000630162	19	36	44	4

Packaging: 8 pieces.

## Part. R0629

- ✔ **Best Seller**
- ✔ **Standard**
- **On request**

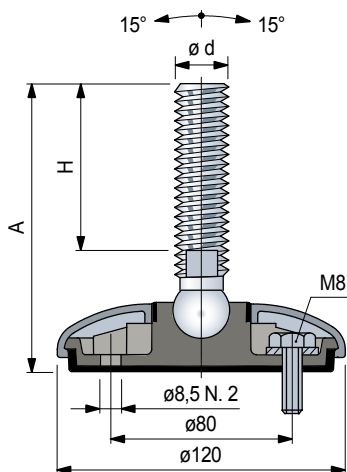


Spindle in stainless steel					Code		Fmax. N ↓ 
					feet with cap supplied assembled	feet with cap supplied disassembled*	
M14	120	76	1a	11	<b>643982</b>	<b>647642</b>	22000
	110	64	1a	13	<b>643992</b>	<b>647652</b>	
	125	81	1a	13	<b>644002</b>	<b>647682</b>	
M16	155	100	1a	13	<b>642312N</b>	<b>647702N</b>	
	170	124	1a	13	<b>644012</b>	<b>647712</b>	
	195	151	1a	13	<b>644022</b>	<b>647742</b>	
	205	150	1a	13	<b>642352N</b>	<b>647762N</b>	
M20	130	84	1a	16	<b>644032</b>	<b>647792</b>	
	195	149	1a	16	<b>644042</b>	<b>647822</b>	
M24	125	74	1a	19	<b>642412N</b>	<b>647842N</b>	
	195	146	1a	19	<b>644052</b>	<b>647852</b>	
	225	172	1a	19	<b>642432N</b>	<b>647872N</b>	

### Item code for order = Part. + Code

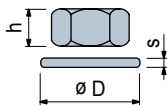
\* = Feet can be fixed to the floor.

- Base material: reinforced polypropylene with integrated anti-slip in thermoplastic rubber grey (70 Shore).
- The sealing of the internal structure guarantees a better hygiene.
- Feet can be fixed to the floor.
- Packaging: 24 pieces.
- On request different length.
- Fmax. = maximum applicable load in static conditions.



### Accessories

#### Nut + Washer



	Code	h		$\varnothing D$	s
	Stainless steel AISI 304	mm	mm	mm	mm
M14	<b>R0000630202</b>	11	22	28	2,5
M16	<b>R0000630212</b>	13	24	30	3
M20	<b>R0000630222</b>	16	30	37	3
M24	<b>R0000630232</b>	19	36	44	4

Packaging: 8 pieces

# Articulated Feet Gripper

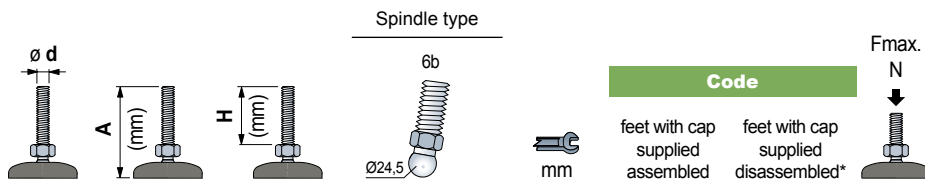
in stainless steel

Ø120

REXNORD

- **Best Seller**
- **Standard**
- ✓ **On request**

Part. **R0629**

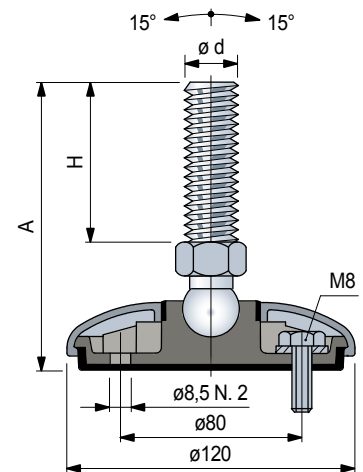


Spindle in stainless steel						
			Spindle type		Code	
				mm	feet with cap supplied assembled	feet with cap supplied disassembled*
<b>M16</b>	120	74	6b	24	642282	647662
	155	109	6b	24	642302	647692
	190	144	6b	24	642322	647722
	205	159	6b	24	642342	647752
<b>M20</b>	125	76	6b	24	642362	647772
	190	141	6b	24	642382	647802
<b>M24</b>	125	79	6b	24	642402	647832
	225	179	6b	24	642422	647862

22000

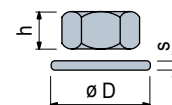
**Item code for order = Part. + Code**

- \* = Feet can be fixed to the floor.
- Base material: reinforced polypropylene with integrated anti-slip in thermoplastic rubber grey (70 Shore).
- The sealing of the internal structure guarantees a better hygiene.
- Feet can be fixed to the floor.
- Packaging: 24 pieces.
- On request different length.
- Fmax. = maximum applicable load in static conditions.



**Accessories**

**Nut + Washer**



	Code	Stainless steel AISI 304	h mm	$\varnothing D$ mm	s mm
M14	<b>R0000630202</b>		11	22	28 2,5
M16	<b>R0000630212</b>		13	24	30 3
M20	<b>R0000630222</b>		16	30	37 3
M24	<b>R0000630232</b>		19	36	44 4

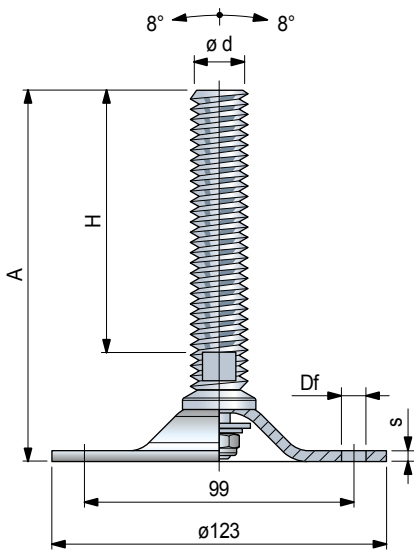
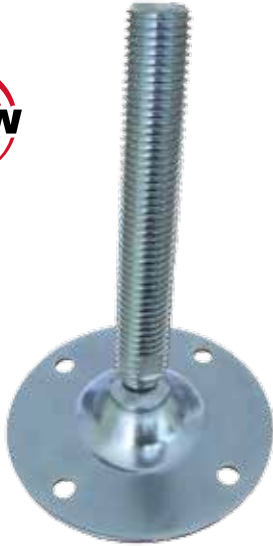
Packaging: 8 pieces

# Articulated feet

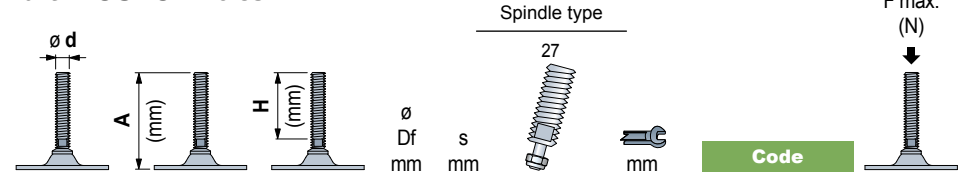
in stainless steel and zinc plated steel

- Best Seller**
- Standard**
- On request**

**Part. R0349** 4 holes  
**Part. R0441** 2 holes



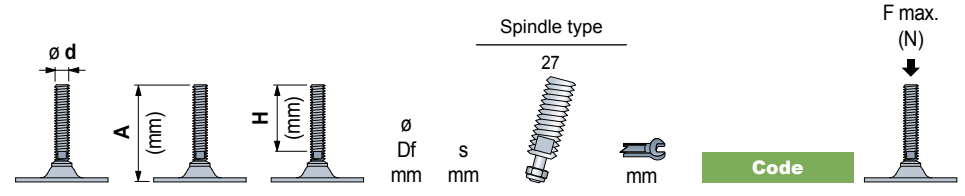
**Part. R0349** 4 holes



Feet in stainless steel								Code	F max. (N)
M	A (mm)	H (mm)	ø Df (mm)	s (mm)	Spindle type	Nut (mm)			
M16	180	140	9	3	27	13	<b>682721N1</b>	6000	
M20	180	140	9	3	27	17	<b>68165N1</b>		
M24	220	175	9	3	27	19	<b>63747N1</b>		
M30	165	125	9	3	27	24	<b>63757N1</b>		
	225	180	9	3	27	24	<b>682741N1</b>		

Feet in zinc plated steel								Code	F max. (N)
M	A (mm)	H (mm)	ø Df (mm)	s (mm)	Spindle type	Nut (mm)			
M20	145	110	9	4	27	17	<b>682681N1</b>	10000	
	175	140	9	4	27	17	<b>65634N1</b>		
	245	210	9	4	27	17	<b>64045N1</b>		
M24	120	75	9	4	27	19	<b>682691N1</b>		
	150	105	9	4	27	19	<b>604432N1</b>		
	220	175	9	4	27	19	<b>65054N1</b>		
M30	270	225	9	4	27	19	<b>688131N1</b>		
	165	125	9	4	27	24	<b>65644N1</b>		
	220	180	9	4	27	24	<b>682711N1</b>		
	300	260	9	4	27	24	<b>688141N1</b>		

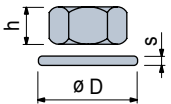
**Part. R0441** 2 holes



Feet in zinc plated steel								Code	F max. (N)
M	A (mm)	H (mm)	ø Df (mm)	s (mm)	Spindle type	Nut (mm)			
M24	150	105	15,5	4	27	19	<b>600531N1</b>	10000	

**Accessories**

**Nut + Washer**



Code		Stainless steel	Zinc plated steel	h	ø D	s
		AISI 304	steel	mm	mm	mm
M16	<b>R0000630212</b>	<b>R0000630142</b>		13	24	30
M20	<b>R0000630222</b>	<b>R0000630152</b>		16	30	37
M24	<b>R0000630232</b>	<b>R0000630162</b>		19	36	44
M30	<b>R0000630242</b>	<b>R0000630172</b>		24	46	56

Packaging: 8 pieces.

**Item code for order = Part. + Code**

- Packaging: 8 pieces.
- On request different length.
- Fmax. = maximum applicable load in static conditions.

# Articulated feet

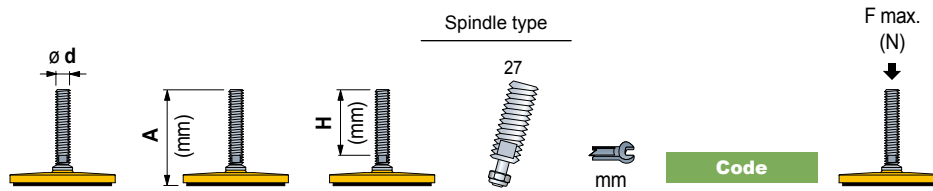
in painted steel

Ø160

REXNORD

- **Best Seller**
- **Standard**
- ✓ **On request**

Part. **R0408**



Spindle in stainless steel					
M16	180	140	27	13	678831N1
M20	180	140	27	17	678841N1
M24	220	175	27	19	678851N1
M30	165	125	27	24	678861N1
	225	180	27	24	678881N1

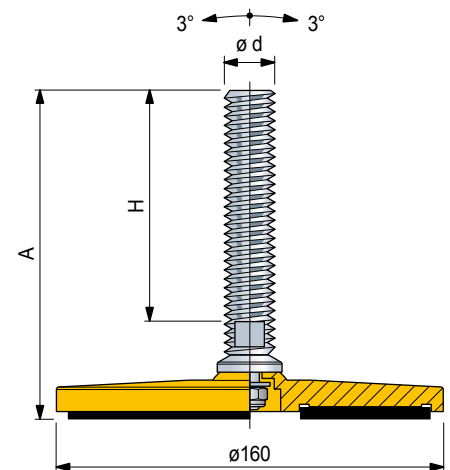
50000

Spindle in zinc plated steel					
M20	145	110	27	17	678761N1
	175	140	27	17	678771N1
	245	210	27	17	678781N1
M24	120	75	27	19	678791N1
	150	105	27	19	61396N1
	220	175	27	19	678801N1
M30	270	225	27	19	688221N1
	165	125	27	24	678811N1
	220	180	27	24	678821N1
	295	260	27	24	688231N1

50000

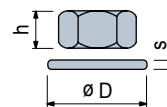
**Item code for order = Part. + Code**

- Material: footplate in painted steel yellow. Anti-slip in NBR rubber black (70 Shore).
- Packaging: 4 pieces.
- On request different length.
- Fmax. = maximum applicable load in static conditions.



**Accessories**

**Nut + Washer**



	Code		h	Ø D	s
	Stainless steel AISI 304	Zinc plated steel	mm	mm	mm
M16	R0000630212	R0000630142	13	24	30
M20	R0000630222	R0000630152	16	30	37
M24	R0000630232	R0000630162	19	36	44
M30	R0000630242	R0000630172	24	46	56

Packaging: 8 pieces.



Part. **R0747**

Part. **R0748**

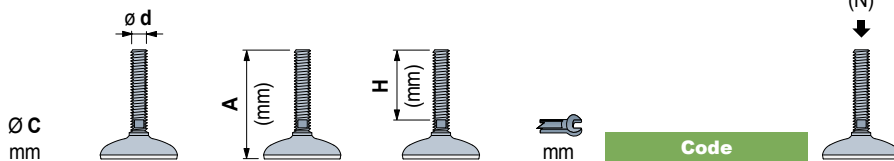
Part. **R0747**

**Best Seller**

**Standard**

**On request**

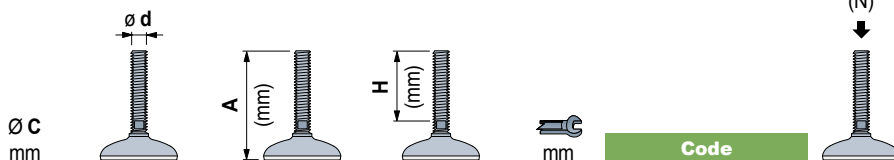
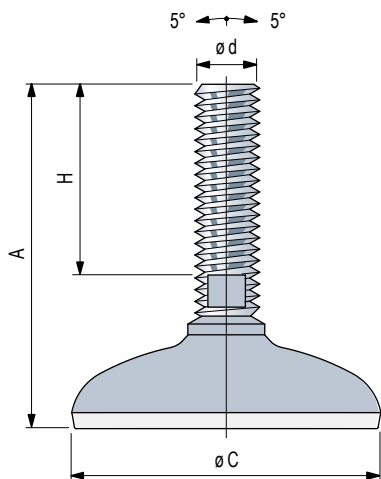
**Part. R0747**



**Feet in stainless steel**

	<b>M16</b>	100	55	13	<b>602003</b>	25000
		182	136	13	<b>602013</b>	
	<b>M20</b>	187	139	16	<b>602023</b>	
		<b>M24</b>	217	167	19	
	<b>M30</b>	165	115	27	<b>620793</b>	
		215	165	27	<b>620803</b>	

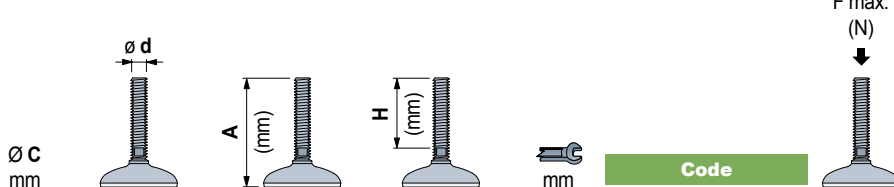
**Part. R0748**



**Feet in stainless steel**

	<b>M16</b>	103	55	13	<b>602043</b>	25000
		185	136	13	<b>602053</b>	
	<b>M20</b>	190	139	16	<b>602063</b>	
		<b>M24</b>	220	167	19	
	<b>M30</b>	168	115	27	<b>620813</b>	
		218	165	27	<b>620823</b>	

**Part. R0749**

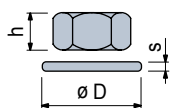


**Feet in stainless steel**

	<b>M16</b>	190	136	13	<b>602093</b>	25000
		<b>M20</b>	195	139	16	
	<b>M24</b>	225	167	19	<b>602113</b>	
		<b>M30</b>	173	115	27	
	223		165	27	<b>620843</b>	
	<b>M36</b>	250	200	27	<b>616433</b>	
	<b>M36</b>	265	216	32	<b>628033</b>	

**Accessories**

**Nut + Washer**



**Code**

	Stainless steel	h		ØD	s
	AISI 304	mm	mm	mm	mm
M16	<b>R0000630212</b>	13	24	30	3
M20	<b>R0000630222</b>	16	30	37	3
M24	<b>R0000630232</b>	19	36	44	4
M30	<b>R0000630242</b>	24	46	56	4

Packaging: 8 pieces

**Item code for order = Part. + Code**

- Material:

Spindle in austenitic stainless steel.

Footplate in austenitic stainless steel.

Anti-slip in vulcanized NBR rubber (grey), 75 Shore;

Part R0749616433 - R0749628033 anti-slip in vulcanized NBR rubber (black), 95 Shore.

- Packaging: 8 pieces.

- On request different length.

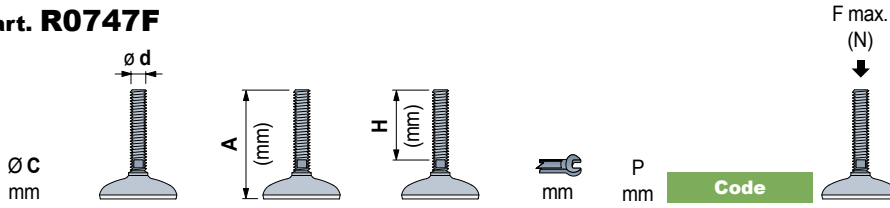
- Fmax. = maximum applicable load in static conditions.

# Articulated feet

in stainless steel

- **Best Seller**
- **Standard**
- ✓ **On request**

## Part. R0747F

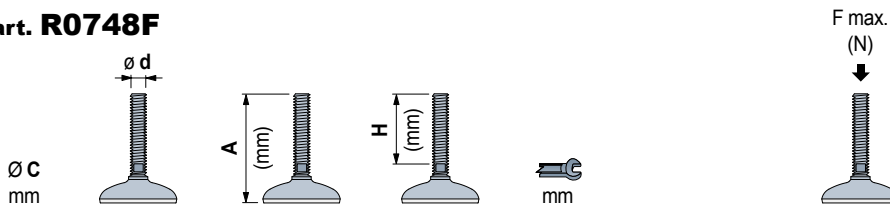


### Feet in stainless steel

	M16	100	55	13	55	<b>616053</b>
		182	136	13	55	<b>616063</b>
	M20	187	139	16	55	<b>616073</b>
	M24	217	167	19	55	<b>616083</b>
	M30	165	115	27	55	<b>620853</b>
		215	165	27	55	<b>620863</b>

25000

## Part. R0748F



### Feet in stainless steel

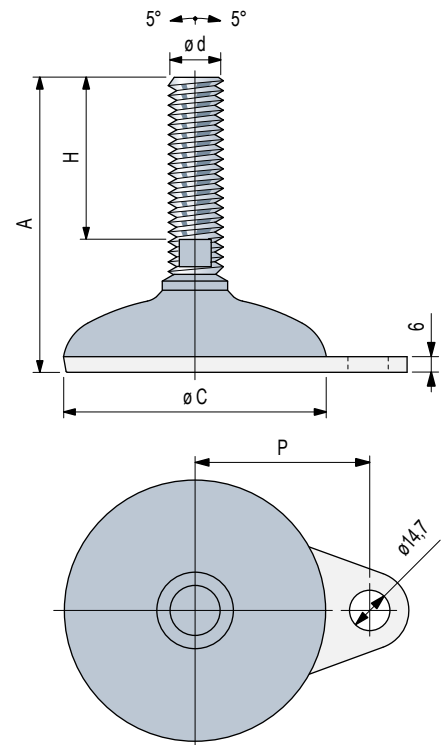
	M16	103	55	13	67	<b>616093</b>
		185	136	13	67	<b>616103</b>
	M20	190	139	16	67	<b>616113</b>
	M24	220	167	19	67	<b>616123</b>
	M30	168	115	27	67	<b>620873</b>
		218	165	27	67	<b>620883</b>

25000

### Item code for order = Part. + Code

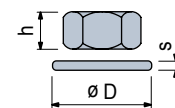
- Material:
- Spindle in austenitic stainless steel.
- Footplate in austenitic stainless steel.
- Anti-slip in vulcanized NBR rubber (grey), 75 Shore.
- Packaging: 8 pieces.
- On request different length.
- Fmax. = maximum applicable load in static conditions.

Part. **R0747F**  
Part. **R0748F**



### Accessories

#### Nut + Washer



	Code	h	Ø D	s
	Stainless steel			
	AISI 304	mm	mm	mm
M16	<b>R000630212</b>	13	24	30
M20	<b>R000630222</b>	16	30	37
M24	<b>R000630232</b>	19	36	44
M30	<b>R000630242</b>	24	46	56

Packaging: 8 pieces

Part. **R0750**

Part. **R0751**

Part. **R0752**

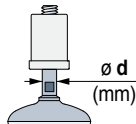

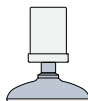

 **Best Seller**

 **Standard**

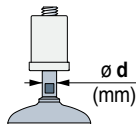

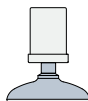

 **On request**

**Part. R0750**

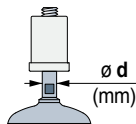

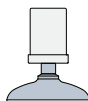



$\varnothing C$ mm	 $\varnothing d$ (mm)	 mm	Code	F max. (N) ↓ 
<b>Feet in stainless steel</b>				
 $\varnothing 80$	16	13	<b>602123</b>	12000
	20	16	<b>602133</b>	

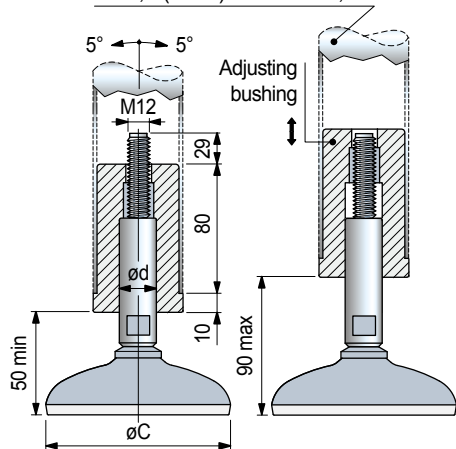
**Part. R0751**

$\varnothing C$ mm	 $\varnothing d$ (mm)	 mm	Code	F max. (N) ↓ 
<b>Feet in stainless steel</b>				
 $\varnothing 100$	16	13	<b>602143</b>	12000
	20	16	<b>602153</b>	

**Part. R0752**

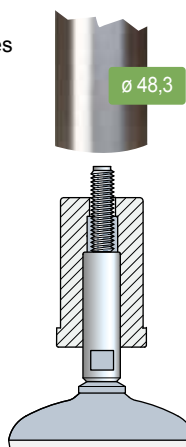
$\varnothing C$ mm	 $\varnothing d$ (mm)	 mm	Code	F max. (N) ↓ 
<b>Feet in stainless steel</b>				
 $\varnothing 120$	16	13	<b>602163</b>	12000
	20	16	<b>602173</b>	

Frame supporting tubes  
 $\varnothing 48,3$  (1<sup>7</sup>/<sub>2</sub>) thickness 1,5



### Assembly

Can be used with  
frame supporting tubes  
dia. 48,3 mm (1<sup>7</sup>/<sub>2</sub>),  
thickness 1,5 mm.



### Item code for order = Part. + Code

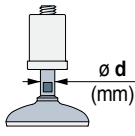

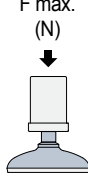

- Material:  
Spindle in austenitic stainless steel.  
Footplate in austenitic stainless steel.  
Anti-slip in vulcanized NBR rubber (grey), 75 Shore.  
Adjusting bushing in reinforced polyamide PA FV (white).  
Threaded bushing in nickel plated brass.
- Packaging: 8 pieces.
- On request different length.
- Fmax. = maximum applicable load in static conditions.

# Articulated feet

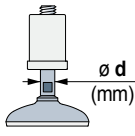

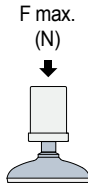

in stainless steel

- **Best Seller**
- **Standard**
- ✓ **On request**

## Part. R0750F

$\varnothing C$ mm	 $\varnothing d$ (mm)	 mm	P mm	Code	F max. (N) 
<b>Feet in stainless steel</b>					
	16	13	55	<b>616133</b>	12000
	20	16	55	<b>616143</b>	

## Part. R0751F

$\varnothing C$ mm	 $\varnothing d$ (mm)	 mm	P mm	Code	F max. (N) 
<b>Feet in stainless steel</b>					
	16	13	67	<b>616153</b>	12000
	20	16	67	<b>616163</b>	

### Item code for order = Part. + Code

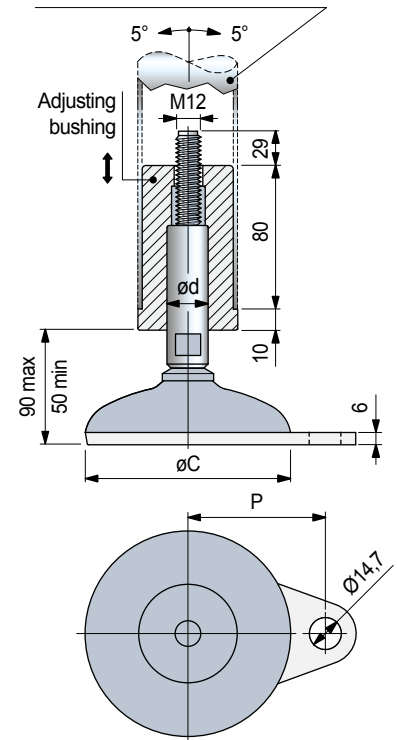
- Material:
  - Spindle in austenitic stainless steel.
  - Footplate in austenitic stainless steel.
  - Anti-slip in vulcanized NBR rubber (grey), 75 Shore.
  - Adjusting bushing in reinforced polyamide PA FV (white).
  - Threaded bushing in nickel plated brass.
- Packaging: 8 pieces.
- On request different length.
- Fmax. = maximum applicable load in static conditions.

## Part. R0750F

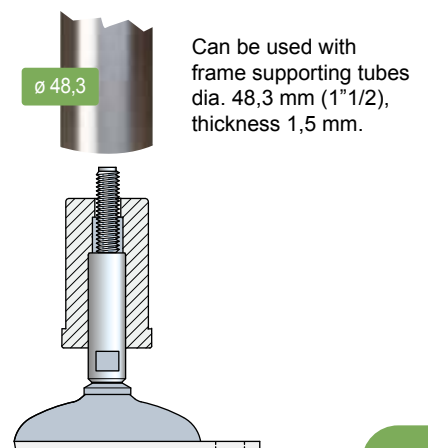
## Part. R0751F



Frame supporting tubes  
 $\varnothing 48,3$  (1 $\frac{1}{2}$ ) thickness 1,5



### Assembly



Part. **R0750S**

Part. **R0751S**

Part. **R0752S**

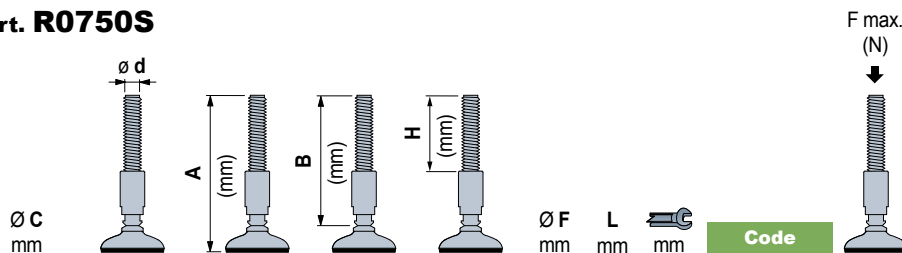
✓ **Best Seller**

✓ **Standard**

● **On request**



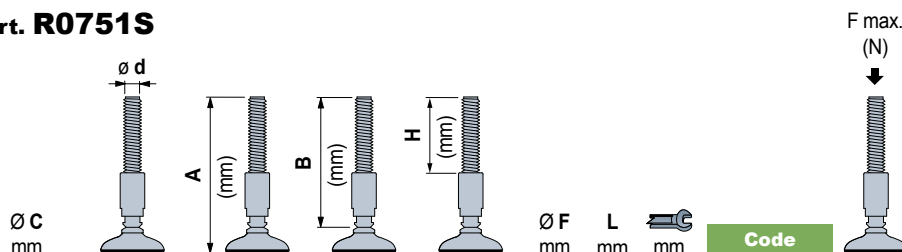
Part. **R0750S**



Feet in stainless steel

	M16	200	165	100	23	55	13	613603	25000
		250	215	120	23	85	13	613613	
	M20	200	165	100	27	55	16	613623	
		250	215	120	27	85	16	613633	

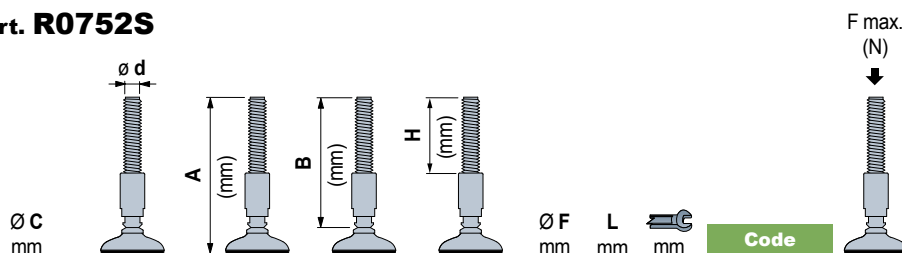
Part. **R0751S**



Feet in stainless steel

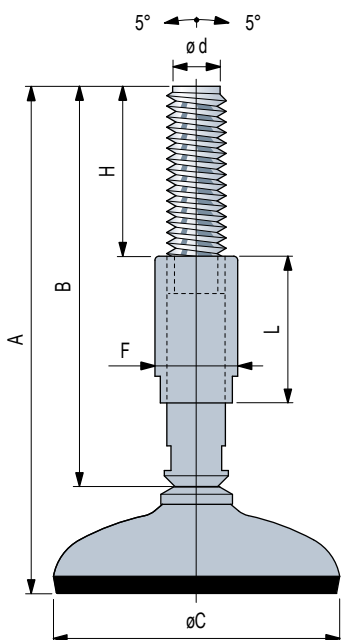
	M16	200	165	100	23	55	13	613663	50000
		250	215	120	23	85	13	613673	
	M20	200	165	100	27	55	16	613683	
		250	215	120	27	85	16	613693	

Part. **R0752S**



Feet in stainless steel

	M16	200	165	100	23	55	13	613723	50000
		250	215	120	23	85	13	613733	
	M20	200	165	100	27	55	16	613743	
		250	215	120	27	85	16	613753	



Item code for order = Part. + Code

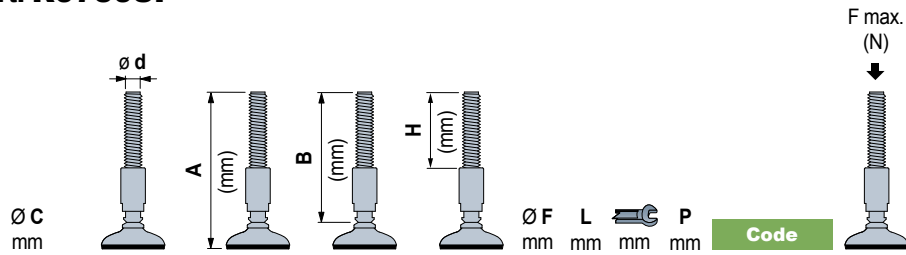
- Material:  
Spindle and threaded bushing in austenitic stainless steel.  
Footplate in austenitic stainless steel.  
Anti-slip in vulcanized NBR rubber (black), 95 Shore.
- Packaging: 8 pieces.
- Fmax. = maximum applicable load in static conditions.

# Articulated feet

in stainless steel

- Best Seller
- Standard
- ✓ On request

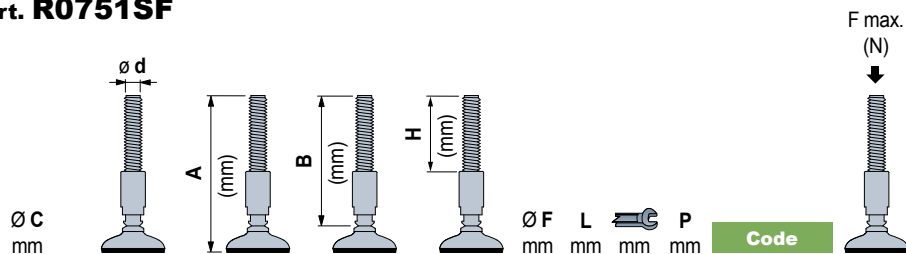
## Part. R0750SF



### Feet in stainless steel

Ø 80	M16	200	165	100	23	55	13	55	616173	25000
		250	215	120	23	85	13	55	616183	
	M20	200	165	100	27	55	16	55	616193	
		250	215	120	27	85	16	55	616203	

## Part. R0751SF



### Feet in stainless steel

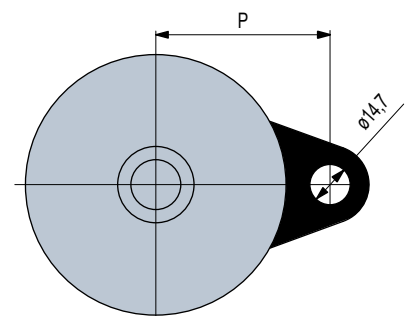
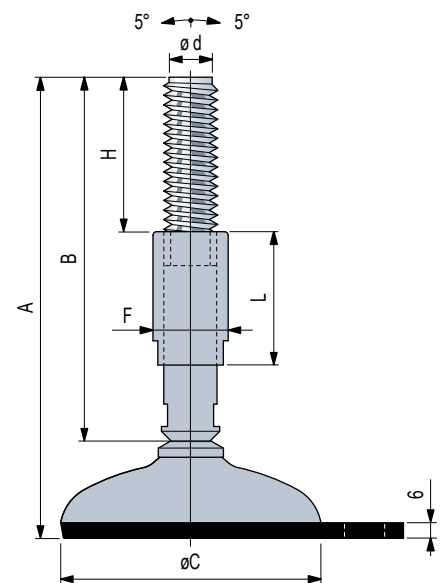
Ø 100	M16	200	165	100	23	55	13	67	616233	25000
		250	215	120	23	85	13	67	616243	
	M20	200	165	100	27	55	16	67	616253	
		250	215	120	27	85	16	67	616263	

### Item code for order = Part. + Code

- Material:  
Spindle and threaded bushing in austenitic stainless steel.  
Footplate in austenitic stainless steel.  
Anti-slip in vulcanized NBR rubber (black), 95 Shore.
- Packaging: 8 pieces.
- Fmax. = maximum applicable load in static conditions.

## Part. R0750SF

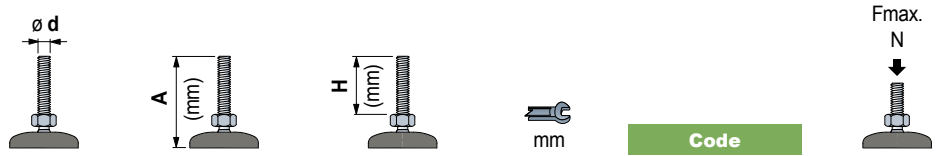
## Part. R0751SF



**Fixed feet**  
in reinforced polyamide

Part. **R0600**

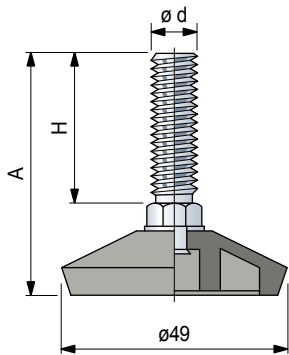
- **Best Seller**
- ✔ **Standard**
- **On request**



Feet in zinc plated steel					
M10	50	30	19	Code	Fmax. N
				<b>68582</b>	2000

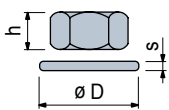
**Item code for order = Part. + Code**

- Footplate material: reinforced polyamide PA FV (black).
- Packaging: 48 pieces.
- Fmax. = maximum applicable load in static conditions.



**Accessories**

**Nut + Washer**



Code		h	øD	s
Zinc plated steel		mm	mm	mm
M10	<b>R0000630112</b>	8	17	2

Packaging: 24 pieces

# Fixed feet

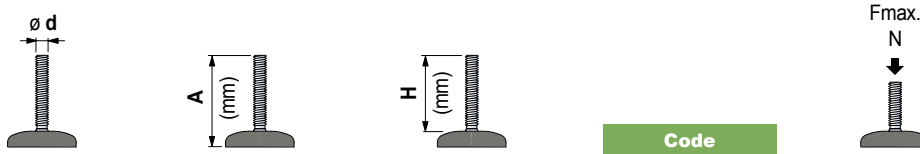
in reinforced polyamide

**Ø110**

**REXNORD**

- **Best Seller**
- ✔ **Standard**
- **On request**

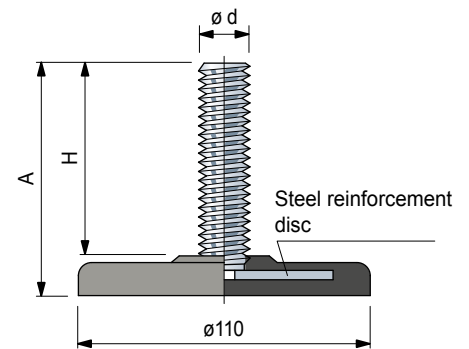
**Part. R0031**



Feet in zinc plated steel				
			Code	
M16	101	86	51500	6000

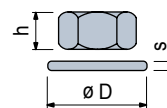
**Item code for order = Part. + Code**

- Footplate material: PVC rubber black (50 Shore).
- Packaging: 20 pieces.
- Fmax. = maximum applicable load in static conditions.



**Accessories**

**Nut + Washer**



	Code	Zinc plated steel	h	øD	s
			mm	mm	mm
M16	<b>R0000630142</b>		13	24	30

Packaging: 8 pieces



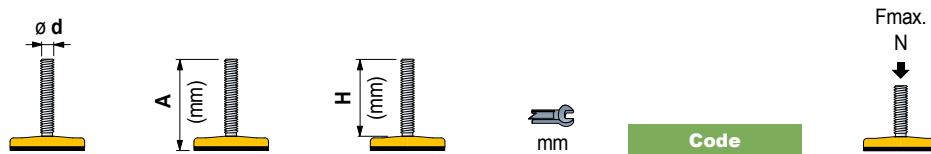
# Fixed feet

in painted steel

## Part. R0403



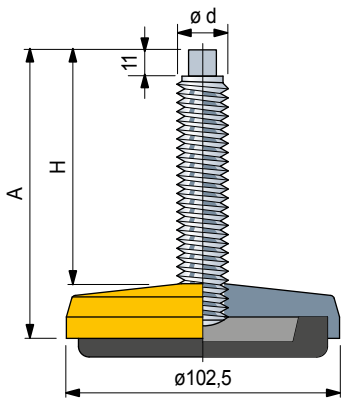
- Best Seller
- ✔ Standard
- On request



Feet in zinc plated steel					
M16	A	H	mm	Code	Fmax. N
M16	154	128	10	66604	50000

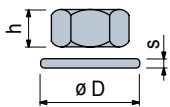
**Item code for order = Part. + Code**

- Material: footplate in painted steel yellow. Anti-slip in NBR rubber black (70 Shore).
- Packaging: 8 pieces.
- On request different length.
- Fmax. = maximum applicable load in static conditions.



■ Accessories

**Nut + Washer**



Code		h	ø D	s
Zinc plated steel		mm	mm	mm
M16	R0000630142	13	24	30

Packaging: 8 pieces

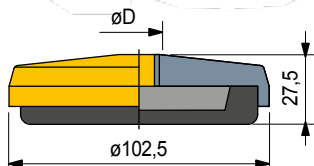
## Part. R0528



M16	Code	Fmax. N
M16	644351	50000

**Item code for order = Part. + Code**

- Material: footplate in painted steel yellow. Anti-slip in NBR rubber black (70 Shore).
- Packaging: 8 pieces.
- Fmax. = maximum applicable load in static conditions.



# Fixed feet

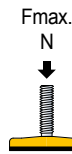
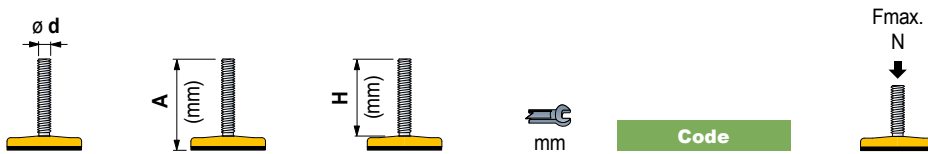
in painted steel

Ø100

REXNORD

- **Best Seller**
- ✔ **Standard**
- **On request**

## Part. R0406

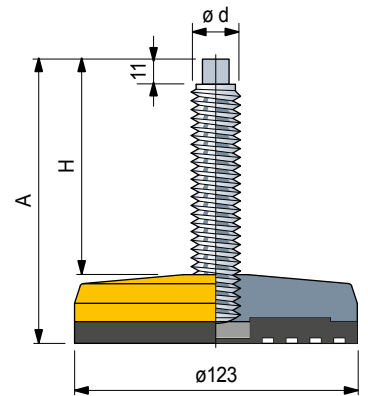


### Feet in zinc plated steel

M16	157	127	10	66614	50000
-----	-----	-----	----	-------	-------

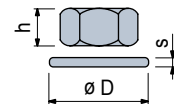
### Item code for order = Part. + Code

- Material: footplate in painted steel yellow. Anti-slip in NBR rubber black (80 Shore).
- Packaging: 8 pieces.
- On request different length.
- Fmax. = maximum applicable load in static conditions.



### Accessories

#### Nut + Washer



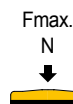
#### Code

Zinc plated steel	h	ø D	s		
mm	mm	mm	mm		
M16	R0000630142	13	24	30	3

Packaging: 8 pieces



#### Code

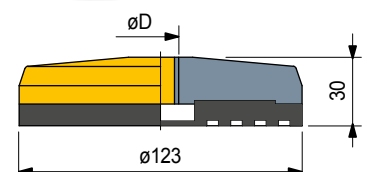


M16	644361	50000
-----	--------	-------

### Item code for order = Part. + Code

- Material: footplate in painted steel yellow. Anti-slip in NBR rubber black (80 Shore).
- Packaging: 8 pieces.
- Fmax. = maximum applicable load in static conditions.

## Part. R0529



Part. **R0383**

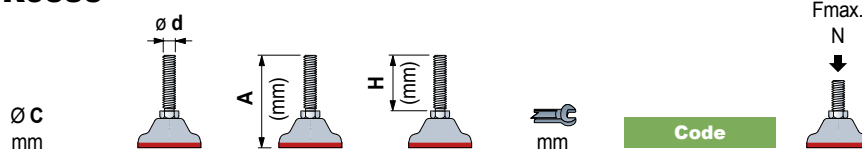
Part. **R0384**

Part. **R0399**

Part. **R0385**

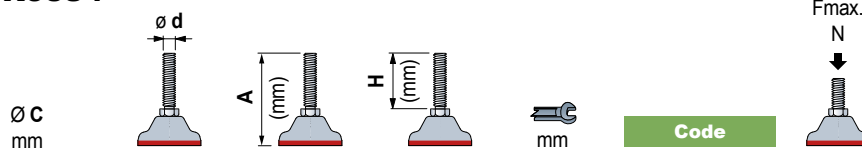
- **Best Seller**
- ✔ **Standard**
- **On request**

**Part. R0383**



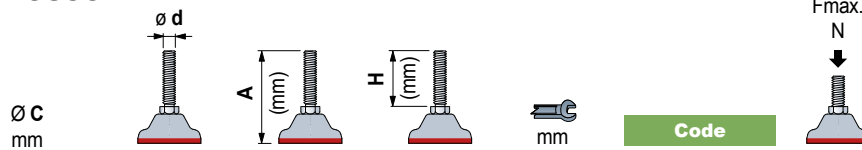
Feet in stainless steel						
	M8	57	30	13	<b>65426</b>	7000

**Part. R0384**



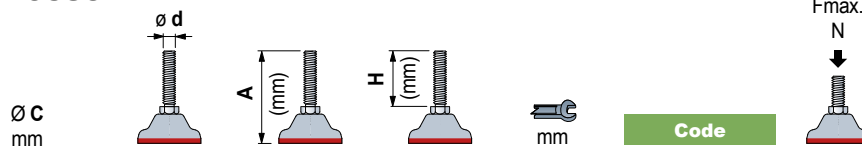
Feet in stainless steel						
	M12	90	50	19	<b>65436</b>	12000

**Part. R0399**

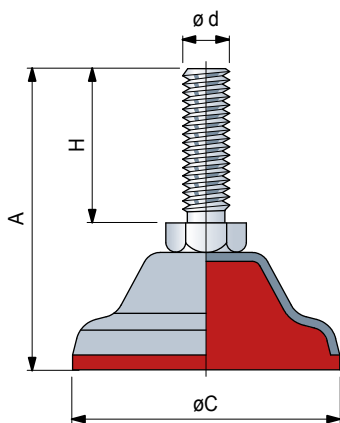


Feet in stainless steel						
	M16	100	60	24	<b>61627</b>	11000

**Part. R0385**

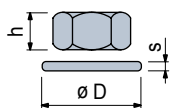


Feet in stainless steel						
	M20	130	70	30	<b>65446</b>	10000



■ **Accessories**

**Nut + Washer**



	Code	h	s	Ø D
	Stainless steel AISI 304	mm	mm	mm
M8	<b>R0000654922</b>	6,5	13	17
M12	<b>R0000630192</b>	10	19	24
M16	<b>R0000630212</b>	13	24	30
M20	<b>R0000630222</b>	16	30	37

Packaging: 8 pieces

**Item code for order = Part. + Code**

- Material: footplate and spindle in stainless steel AISI 304. Anti-slip in Adiprene (red).
- Packaging: 16 pieces (for Part. 383). 8 pieces (for Part. 384-399). 4 pieces (for Part. 385).
- Fmax. = maximum applicable load in static conditions.

**Characteristics**

The Adiprene anti-slip element has acid resistant characteristics and resists loads occurring in heavy duty applications.

Feet to be used in humid applications, where they will be subjected to frequent cleaning with detergents, in presence of chemical products and acids and where optimum cleanliness and hygiene is required.

**Application**

The food-, dairy and meat industry.  
Chemical and pharmaceutical industries.

# Vibration absorbing feet

in zinc plated steel

- **Best Seller**
- **Standard**
- **On request**

**Part. R0701**  
**Part. R0702**  
**Part. R0703**

Ø C mm		Code		Weight Kg		
		Feet in zinc plated steel	Feet in zinc plated steel with yellow painted base			
<b>R0701</b>						
Ø 80	M 12x1,25	130	39 ( min ) 51 ( max )	8	<b>63033</b> <b>63623</b>	0,58
<b>R0702</b>						
Ø 120	M 16x1,5	130	47 ( min ) 60 ( max )	9	<b>63043</b> <b>63633</b>	1,40
<b>R0703</b>						
Ø 160	M 20x1,5	183	54 ( min ) 69 ( max )	12	<b>63053</b> <b>63643</b>	2,80

- Packaging: 8 pieces (for Part. 701 - 702), 4 pieces (for Part. 703).
- Characteristics: specially designed to absorb vibrations and shocks in both horizontal and vertical directions. Accurate height adjustment. High adhesion to the floor.
- Application: cutting-and bending machines for sheet metal. Injection molding machines for plastics. Lathes, cutting-and grinding machines. Machines for the textile and printing industry.



Table 1	Load applied per foot (Kgf)					
	min.	max.	min.	max.	min.	max.
	<b>Part. 701</b>		<b>Part. 702</b>		<b>Part. 703</b>	
100	85	360	230	940	275	1420
120	85	210	230	600	275	900
140	85	180	230	560	275	820
160	85	120	230	350	275	560
180	85	95	230	290	275	440
200			230	260	275	320
220					275	305
	<b>Zone of resonance</b> (do not use vibration absorbing elements)					
1200	475	525	1140	1260	1710	1890
1400	400	525	1040	1260	1650	1890
1600	320	525	810	1260	1340	1890
1800	240	525	640	1260	1080	1890
2000	180	525	490	1260	800	1890
2200	140	525	440	1260	700	1890
2400	120	525	380	1260	640	1890
2600	100	525	300	1260	560	1890
2800			240	1260	420	1890
3000			200	1260	400	1890
3500				300	1890	

### When to use vibration absorbing feet

In case in a machine frequent "vibrations or shocks" occur, it will be necessary to use vibration absorbing feet instead of our standard feet.

Because of the natural characteristics of the rubber elements, the selection of the proper type is very important. In a certain range of vibrations or shocks a resonance will occur, in another range of vibrations the feet will not absorb any vibrations at all. It is therefore important to follow exactly our selection procedure.

### Selection procedure

#### 1) Calculation of the load on each foot

In the following formula we have considered that the weight of the machine is divided equally over the feet:

$$\frac{\text{Weight of the machine (Kg)}}{\text{Number of feet}} = (\text{Kgf})$$

#### 2) Selection of the type of vibration absorbing foot - Table 1

The selection of the type of a vibration absorbing foot depends on the load on each foot and the lowest number of revolutions (or number of shocks) of the machine.

### Examples of selection

#### 1) Support for a lathe

- Given data: - Weight of the lathe: 2200 Kg.  
 - Minimum speed: 140 rpm.  
 - Quantity of feet: 4.

Selection: the load on each foot is

$$\frac{2200}{4} = 550 \text{ Kgf}$$

According to table 1 Part. 702 should be taken.

#### 1) Supports for a metal press

- Given data: - Weight of the press: 3900 Kg.  
 - Min. number of shocks: 120 strokes/min.  
 - Quantity of feet: 6.

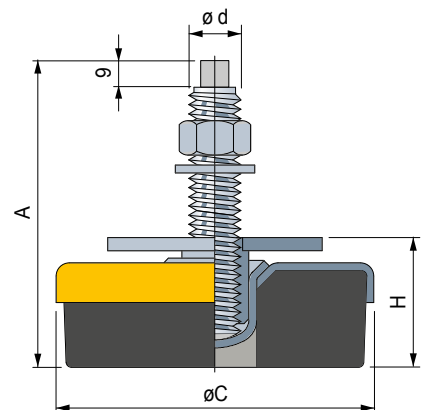
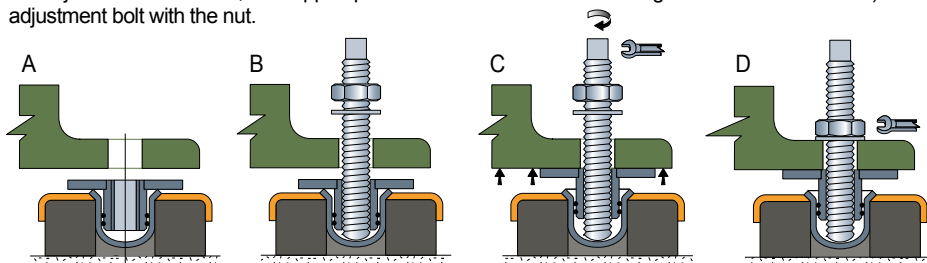
Selection: the load on each foot is

$$\frac{3900}{6} = 650 \text{ Kgf}$$

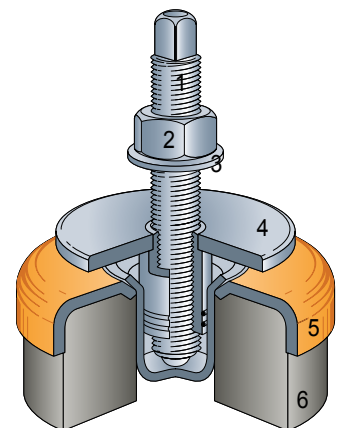
According to table 1 Part. 703 should be taken.

### Mounting instructions

**A)** Lift the machine. Position the footplate. **B)** Mount the adjustment bolt with the nut and washer. **C)** By turning the adjustment bolt further, the support plate will lift until the desired height has been reached. **D)** Lock the adjustment bolt with the nut.



Components of the feet



- 1 - Adjustment bolt. Fine thread
- 2 - Locking nut. UNI 5588 - 65.
- 3 - Washer UNI 6592 - 69. DIN 125 A.
- 4 - Support plate. Adjustable in height.
- 5 - Reinforcement plate.
- 6 - Anti-slip in NBR rubber black (80 Shore).

# Anti-slip supports

in rubber with steel insert

Part. **R0055**

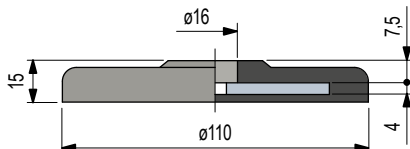
- **Best Seller**
- ✔ **Standard**
- **On request**



Material	Code	Fmax. N
PVC rubber black (with steel insert)	51510	6000

**Item code for order = Part. + Code**

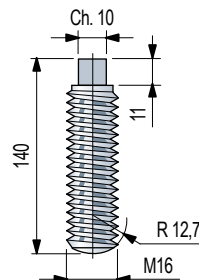
- Rubber hardness: 50 Shore.
- Packaging: 25 pieces.
- Fmax. = maximum applicable load in static conditions.



**Accessories**

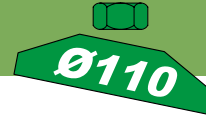
	Code	
	Zinc plated steel	mm
M16	<b>R040766594</b>	10

- Spindle.
- Packaging: 32 pieces.



# Anti-slip supports

in rubber with steel insert



- **Best Seller**
- ✓ **Standard**
- **On request**

Part. **R0187**



Material	Code	Fmax. N ↓
NBR rubber black with steel insert (red painted)	55421	20000

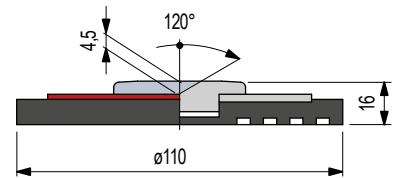
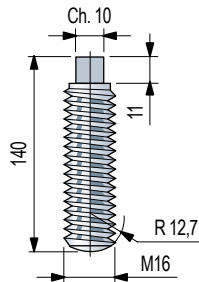
**Item code for order = Part. + Code**

- Rubber hardness: 80 Shore.
- Bearing disc in nickel plated steel.
- Packaging: 8 pieces.
- Fmax. = maximum applicable load in static conditions.


**Accessories**

	Code	
	Zinc plated steel	mm
M16	<b>R040766594</b>	10

- Spindle.
- Packaging: 32 pieces.

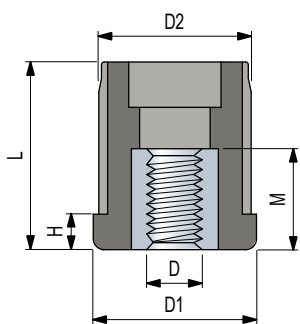


## Part. R0180

-  **Best Seller**
-  **Standard**
-  **On request**

### Tube dimensions

Outside dia. mm	Thickness mm	Inside dia. mm	Thread D	D1 mm	D2 mm	H mm	L mm	M mm	Code	Fmax. N
26,9	3/4	1,5	M12	27	24	6	30	19	63128	3000
30	-	1	M10	30	28,4	6	34	19	61606	3000
			M12	30	28,4	6	34	19	63766	3000
33,7	1	1,5	M12	34	31	6	35	19	63118	3000
38	-	1,5	M10	37,5	35,5	9	44	19	68572	5000
			M16	37,5	35,5	9	44	24	63061	5000
42,4	1 1/4	1,5	M16	44,5	39,6	9	42	24	63071	5000
			M20	44,5	39,6	9	42	30	52691	8000
48,3	1 1/2	1,5	M16	48	45,5	10	52	24	63081	5000
			M20	48	45,5	10	52	30	58631	8000
		3	M16	48	42,6	10	52	24	616592	5000
			M10	50	47,5	10,5	56	19	682812	3000
50	-	1,5	M12	50	47,5	10,5	56	19	682822	3000
			M14	50	47,5	10,5	56	24	682832	3000
			M16	50	47,5	10,5	56	24	682842	5000
			M20	50	47,5	10,5	56	30	682852	8000
		2	M10	50	46,5	10,5	56	19	682862	3000
			M12	50	46,5	10,5	56	19	682872	3000
			M14	50	46,5	10,5	56	24	682882	3000
			M16	50	46,5	10,5	56	24	682892	5000
54	-	2	M20	50	46,5	10,5	56	30	682902	8000
			M16	54	50,8	10	62	24	647081	5000
60,3	2	1,5	M20	54	50,8	10	62	30	649801	8000
			M16	60	58	10	62	24	65154	5000
		2,5	M16	60	58	10	49	24	607241	5000
			M20	60	58	10	62	30	65164	8000
			M16	60	57	10	62	24	65174	5000
			M20	60	57	10	62	30	65184	8000
80	-	2	M16	60	56	10	62	24	65194	5000
			M20	60	56	10	62	30	65204	8000
			M14	80	76,5	10,5	90	24	682912	5000
			M16	80	76,5	10,5	90	24	682922	5000
		3	M20	80	76,5	10,5	90	30	682932	8000
			M24	80	76,5	10,5	90	28	682942	8000
			M14	80	74,5	10,5	90	24	682952	5000
			M16	80	74,5	10,5	90	24	682962	5000
M20	80	74,5	10,5	90	30	682972	8000			
	M24	80	74,5	10,5	90	28	682982	8000		



### Assembly

Pressure fitted.  
Interference fit.



- Material: bushing in reinforced polyamid PA FV (black). Threaded insert in nickel plated brass.
- Packaging: 50 pieces (codes 63128 - 63118: 60 pieces). Version dia. 80 mm: 25 pieces.
- Fmax. = maximum applicable load in static conditions.

### Tube dimensions B.S.I.

Outside dia. Inch	Thickness mm	Inside dia. mm	Thread D	D1 mm	D2 mm	H mm	L mm	M mm	Code	Fmax. N
1,5"	38,1	0,065"	3/8"-16	37,5	35,5	9	44	19	672211	5000
			1/2"-13	37,5	35,5	9	44	19	59191	5000
			5/8"-11	37,5	35,5	9	44	24	59211	5000
2"	50,8	0,065"	3/8"-16	50	48,4	10	56	19	672221	5000
			1/2"-13	50	48,4	10	56	19	61681	5000
			5/8"-11	50	48,4	10	56	24	59221	5000
			3/4"-10	50	48,4	10	56	30	59201	8000
			M16	50	48,4	10	56	24	668191	5000

### Item code for order = Part. + Code

- Material: bushing in reinforced polyamid PA FV (black). Threaded insert in nickel plated brass.
- Packaging: 50 pieces.
- Fmax. = maximum applicable load in static conditions.

# Threaded bushings

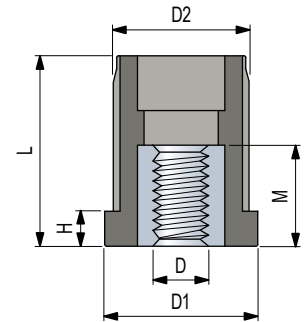
for square tubes

- **Best Seller**
- ✓ **Standard**
- **On request**

Part. **R0224**

### Metric tube dimensions

Outside dia. mm	Thickness mm	Inside dia. mm	Thread D	D1 mm	D2 mm	H mm	L mm	M mm	Code	Fmax. N ↓
∅ 30	1,5	27	M10	30	27,5	6	33	19	68182	5000
			M12	30	27,5	6	33	19	63932	5000
			M14	30	27,5	6	33	24	63942	5000
			M16	30	27,5	6	33	24	63952	5000
			M10	30	26,5	6	33	19	673492	5000
			M12	30	26,5	6	33	19	673502	5000
	2	26	M14	30	26,5	6	33	24	673512	5000
			M16	30	26,5	6	33	24	673522	5000
			M12	30	25,5	6	33	19	69695	5000
			M10	35	32,5	8	43	19	63243	5000
			M12	35	32,5	8	43	19	63253	5000
			M14	35	32,5	8	43	24	63263	5000
∅ 35	1,5	32	M16	35	32,5	8	43	24	63273	5000
			M20	35	32,5	8	43	30	64663	8000
			M10	40	37,5	8	43	19	64323	5000
			M12	40	37,5	8	43	19	63882	5000
∅ 40	1,5	37	M14	40	37,5	8	43	24	63892	5000
			M16	40	37,5	8	43	24	63902	5000
			M20	40	37,5	8	43	30	63922	8000
			M16	40	36,5	8	43	24	66533	5000
			M20	40	36,5	8	43	30	64455	8000
			∅ 50	1,5	47	M16	50	47,8	10	55
M20	50	47,5				10	55	30	68883	8000
3/8"-16	50	47,8				10	55	19	692781	5000
1/2"-13	50	47,8				10	55	19	692791	5000
5/8"-11	50	47,8				10	55	24	692801	5000
3/4"-10	50	47,8				10	55	30	692811	8000
2	46	M16		50	47	10	55	24	617632	5000
		M20		50	47	10	55	30	617642	8000
		M14		50	45,6	10	55	24	695411	5000
		M16		50	45,5	10	55	24	63051	5000
		M20		50	45,5	10	55	30	63001	8000



### Assembly

Pressure fitted.  
Interference fit.

- Material: bushing in reinforced polyamid PA FV (black). Threaded insert in nickel plated brass.
- Packaging: 50 pieces.
- Fmax. = maximum applicable load in static conditions.

### Tube dimensions B.S.I.

Outside dia. Inch	mm	Thickness Inch	mm	Inside dia. mm	Thread D	D1 mm	D2 mm	H mm	L mm	M mm	Code	Fmax. N ↓	
∅ 1,5"	38,1	0,065"	1,65	34,8	3/8"-16	38	35,5	8	43	19	661621	5000	
					1/2"-13	38	35,5	8	43	19	59231	5000	
					5/8"-11	38	35,5	8	43	24	59251	5000	
					M16	38	35,5	8	43	24	62963	5000	
					3/8"-16	38	32,6	8	43	19	672231	5000	
					1/2"-13	38	32,6	8	43	19	61422	5000	
	2"	50,8	0,120"	3,05	32	5/8"-11	38	32,6	8	43	24	61432	5000
						3/4"-10	38	32,6	10	43	30	661631	8000
						3/8"-16	50	45,6	10	55	19	672241	5000
						1/2"-13	50	45,6	10	55	19	61691	5000
						5/8"-11	50	45,6	10	55	24	59261	5000
						3/4"-10	50	45,6	10	55	30	59241	8000

### Item code for order = Part. + Code

- Material: bushing in reinforced polyamid PA FV (black). Threaded insert in nickel plated brass.
- Packaging: 50 pieces.
- Fmax. = maximum applicable load in static conditions.





## Part. S0710

- **Best Seller**
- ✔ **Standard**
- **On request**



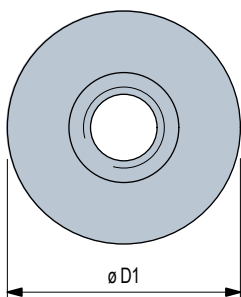
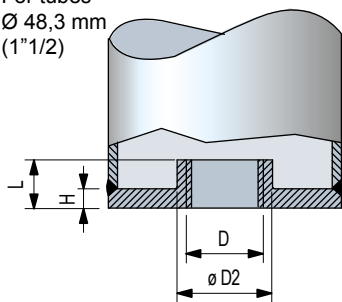
### Tube dimensions

Outside dia. mm	Thread Poll" D	D1 mm	D2 mm	H mm	L mm	Code	Fmax. N ↓
48,3	1" 1/2	M16	48,3	20	4	685682	20000

**Item code for order = Part. + Code**

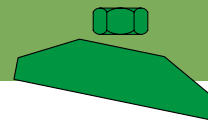
- Assembly by welding.
- Material: austenitic stainless steel.
- Packaging: 48 pieces.
- Fmax. = maximum applicable load in static conditions.

For tubes  
Ø 48,3 mm  
(1" 1/2)



# Threaded bushings

for square tubes



- **Best Seller**
- ✔ **Standard**
- **On request**

Part. **S0713**

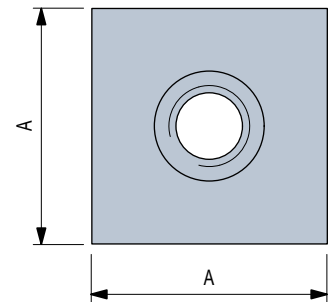
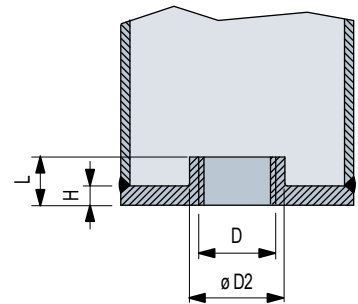
**Metric tube dimensions**

Outside dia. mm	Thread D	A mm	D <sub>2</sub> mm	H mm	L mm	Code	Fmax. N ↓
∅ 40	M16	40	20	4	10	685702	20000
∅ 50	M16	50	20	4	10	685742	



**Item code for order = Part. + Code**

- Assembly by welding.
- Material: austenitic stainless steel.
- Packaging: 48 pieces.
- Fmax. = maximum applicable load in static conditions.



**SQUARE FLANGE BEARING****Pag. B04 - B23****OVAL FLANGE BEARING****Pag. B24 - B41****PILLOW BLOCK BEARING****Pag. B42 - B45****COMPACT PILLOW  
BLOCK BEARING****Pag. B46 - B49**

**SIDE FLANGE BEARING**

**Pag. B50 - B53**



**TAKE-UP BEARING**

**Pag. B54 - B57**



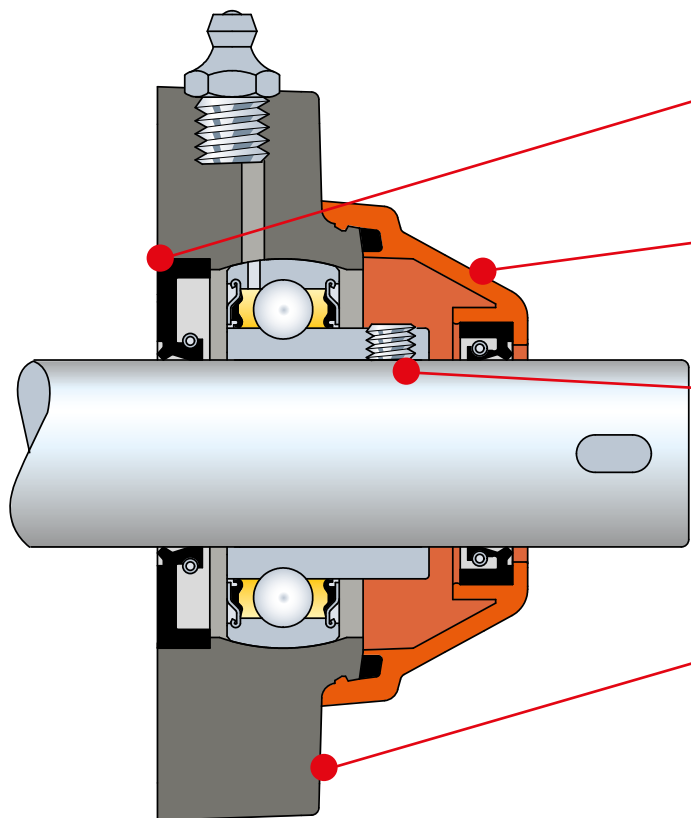
**ROUND FLANGE BEARING**

**Pag. B58 - B65**



**TECHNICAL INFORMATIONS**

**Technical Informations see Pag. B67 - B81**



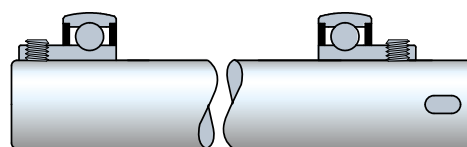
**Waterproof housing**

The waterproof sealing system guarantees protection of the bearing from the external environment

**Inspectable bearing**

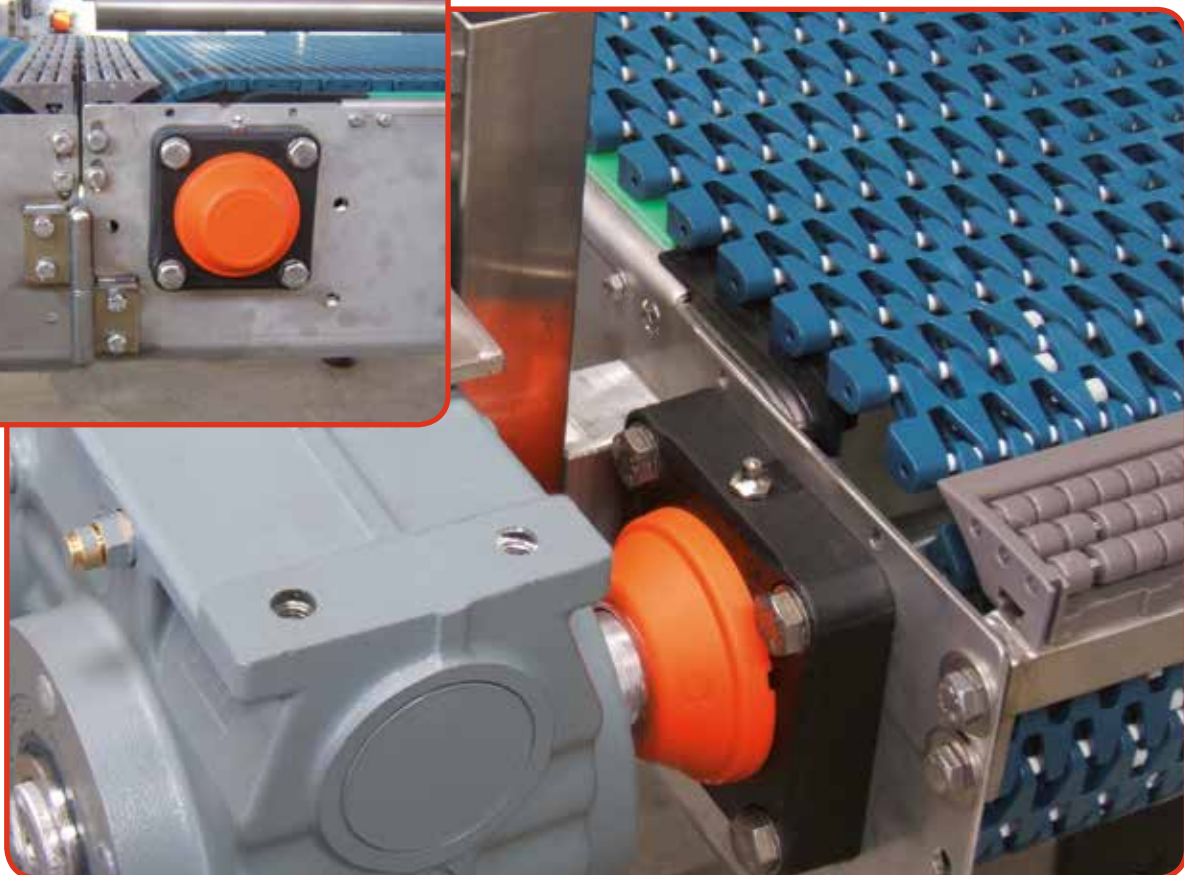
The clip-on protection cover can be removed for bearing inspection

**Locking by grub screws**



**ISO dimensions**

The overall dimensions can be interchanged with the corresponding cast iron type bearings

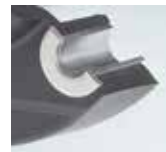


- Overall dimensions of self-aligning bearings are in accordance with ISO 3228 standards
- All self-aligning bearings are interchangeable with their correspondent cast iron versions

**ISO**  
3228

## ISO dimensions

- Self-aligning bearings are equipped with stainless steel AISI 304/316 bushes to reinforce mounting holes
- The reinforcing bushings avoid damages to the plastic flange during screw tightening



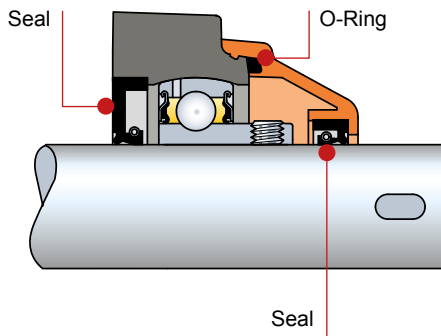
## Fixing bushes

- Only best quality glass fibre reinforced polyamide PA FV/polypropylene PP FV thermoplastic resins are used for the self-aligning housings
- The resins used guarantee high resistance to oxidation and corrosion and at the same time equal the strength offered by cast iron housings. They offer a better resistance to impact
- Polyamide PA FV resins offer maximum heat and mechanical resistance
- Polypropylene PP FV resins offer maximum resistance to chemical agents



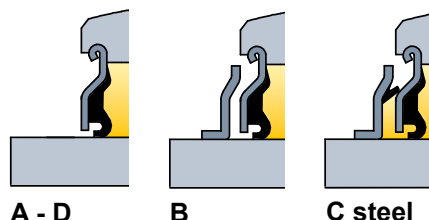
## Thermoplastic resins

- A system of waterproof seals protects the bearing from external environment
- Protection from dust, humidity, washouts, chemical agents
- The clip-on protection cover allows inspection of the bearing



## Waterproof housing

- Self-aligning bearings are equipped with ball bearings featuring multipurpose sealing systems.
- **A - D** - Superagriseal unit. The system consists of a metallic ring fitted with a low friction rubber sealing lip
- **B** - Superagriseal unit + centrifuging ring. The system is further equipped with a metallic protection ring providing a centrifugal sealing action.
- **C steel** - Superagriseal unit + rubberised centrifuging ring.



This system is used in stainless steel bearings. The upper lip of the centrifuging ring together with the grease trapped between the base seal and the ring itself guarantees maximum sealing capacity.

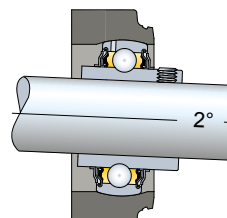
## Bearing seals

- Waterproof self-aligning bearings feature seals for the protection against external environment
- Viton rubber seals ensure maximum resistance to chemical agents



## Support seals

- All bearings are self-aligning, capable of compensating misalignments up to 2°



## Misalignment

# Square flange bearing units

## SUCFN/T - SHCFN/T



### Waterproof housing

### Grub screws or eccentric collar shaft locking

### PA FV polyamide housing

High mechanical and heat resistance. Proof to dust, humidity, washouts, steam, average aggressive chemical agents.

### PP FV polypropylene housing

Proof to highly aggressive chemical agents. Inferior loading ability.

### Solid flange bearings

Closed surface structure, ideal for sanitation.

### Material

#### PA FV polyamide housing

- Housing in reinforced polyamide PA FV resin (black)
- Protection cover in polypropylene PP (orange)
- Seal and O-Ring in NBR rubber (black)
- Ball type nickel plated brass greasing nipple
- Reinforcing bushings on mounting holes and washers in stainless steel AISI 304

#### PP FV polypropylene housing

- Housing in reinforced polypropylene PP FV resin (white)
- Protection cover in polypropylene PP (orange)
- Seal and O-Ring in NBR rubber (black).  
On request supplied in Viton rubber (brown).  
Viton material offers high resistance to chemical agents
- Ball type stainless steel AISI 316 greasing nipple
- Reinforcing bushings on mounting holes and washers in stainless steel AISI 316.

### Continuous operating temperature

in air: - 20 to + 60°C.

### Maximum allowed misalignment: 2°.

### Bearing

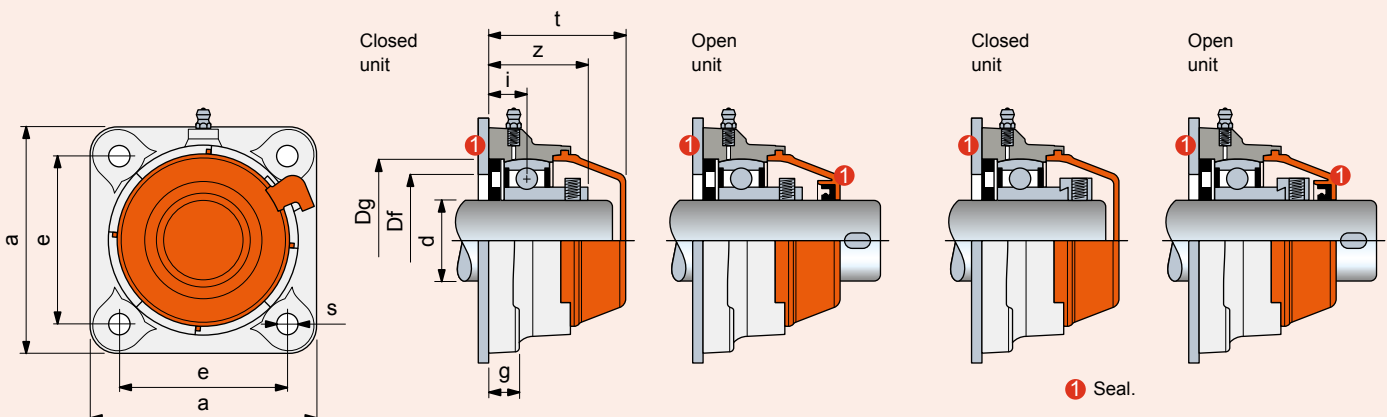


- Type A (grub screws shaft locking)
- Type D (eccentric collar shaft locking)
- Chrome alloy steel
- Superagriseal unit
- Prelubricated with lithium / calcium grease
- Can be relubricated.



### • Series SUCFN/T • Type A Grub screws shaft locking

### • Series SHCFN/T • Type D Eccentric collar shaft locking



1 Seal.

dia. d mm	Series	Housing material		Dimensions in mm										Bore in frame <sup>1)</sup> Df	Bearing	Weight Kg	Spare parts Cover orange
		Polyamide PA FV Solid Flange (black) Cover (orange)	Polypropylene PP FV Solid Flange (white) Cover (orange)	e	a	s	g	i	z	t	Dg	max.	min.				Code
<b>Grub screws shaft locking • Closed unit</b>																	
40*	SUCFN 208 T	637773	637853	83	110	11	15	19	44	67	80	78	65	Type A	0,82	630443	
<b>Grub screws shaft locking • Open unit</b>																	
40*	SUCFN 208 T	637783	637863	83	110	11	15	19	44	67	80	78	65	Type A	0,82	630473	
<b>Eccentric collar shaft locking • Closed unit</b>																	
40*	SHCFN 208 T	637793	637873	83	110	11	15	19	51,7	67	80	78	65	Type D	1,01	630443	
<b>Eccentric collar shaft locking • Open unit</b>																	
40*	SHCFN 208 T	637803	637883	83	110	11	15	19	51,7	67	80	78	65	Type D	1,01	630473	

**Item code for order = B0000 + Code**

\* = Version with special fixing holes.

<sup>1)</sup> = Dimensions Df max / Df min must be respected to ensure positive retention of the seals and to allow air bleeding during lubrication.

Packaging: 6 pieces.



# Square flange bearing units

## SUCFN/TL - SHCFN/TL

**LIFE LUBRICATED**



**Dry use recommended**



### Life lubricated

The ball-bearings are pre-lubricated with a special grease keeping the bearing for its whole life. No need for re-lubrication (see page B78 to calculate the grease life).

### Grub screws or eccentric collar shaft locking

### PA FV polyamide housing

High mechanical and heat resistance. Proof to dust, humidity, washouts, steam, average aggressive chemical agents.

### Solid flange bearings

Closed surface structure, ideal for sanitation.

### Material

#### PA FV polyamide housing

- Housing in reinforced polyamide PA FV resin (black)
- Protection cover in polypropylene PP (orange)
- Seal and O-Ring in NBR rubber (black)
- Reinforcing bushings on mounting holes and washers in stainless steel AISI 304.

### Continuous operating temperature

in air: -20 to +60°C.

### Maximum allowed misalignment: 2°.

### Bearing

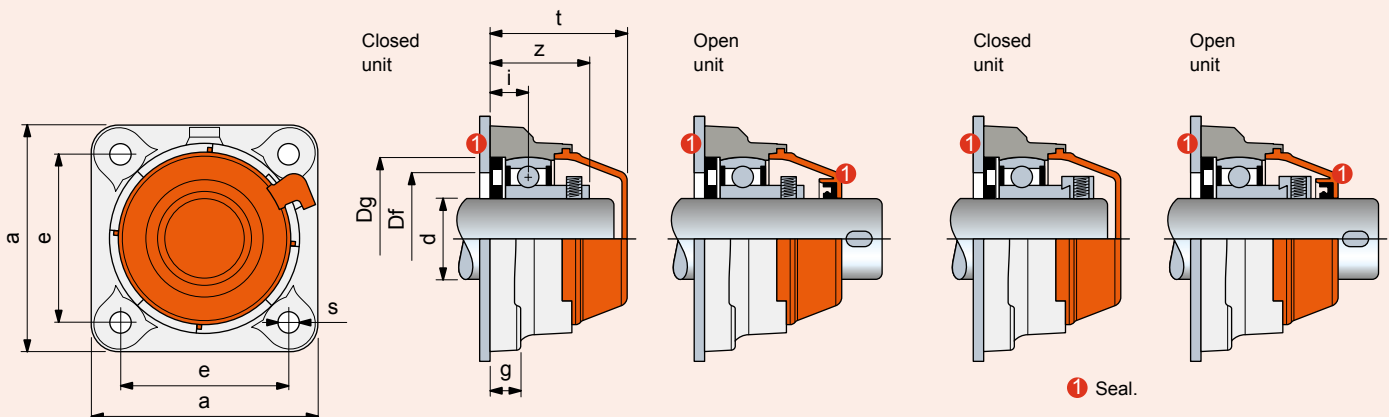


- Type A (grub screws shaft locking)
- Type D (eccentric collar shaft locking)
- Chrome alloy steel
- Superagriseal unit
- Prelubricated with lithium / calcium grease, no need for re-lubrication.



### • Series SUCFN/TL • Type A Grub screws shaft locking

### • Series SHCFN/TL • Type D Eccentric collar shaft locking



1 Seal.

# SUCFN/TL - SHCFN/TL

dia. d mm	Series	Housing material	Dimensions in mm										Bore in frame Df		Bearing	Weight Kg	Spare parts Cover orange
		Polyamide PA FV Solid Flange (black) Cover (orange)	e	a	s	g	i	z	t	Dg	max.	min.	Code				
<b>Grub screws shaft locking • Closed unit</b>																	
40*	SUCFN 208 TL	637773L	83	110	11	15	19	44	67	80	78	65	Type A	0,82	630443		
<b>Grub screws shaft locking • Open unit</b>																	
40*	SUCFN 208 TL	637783L	83	110	11	15	19	44	67	80	78	65	Type A	0,82	630473		
<b>Eccentric collar shaft locking • Closed unit</b>																	
40*	SHCFN 208 TL	637793L	83	110	11	15	19	51,7	67	80	78	65	Type D	1,01	630443		
<b>Eccentric collar shaft locking • Open unit</b>																	
40*	SHCFN 208 TL	637803L	83	110	11	15	19	51,7	67	80	78	65	Type D	1,01	630473		

**Item code for order = B0000 + Code**

\* = Version with special fixing holes.

Packaging: 6 pieces.

# Square flange bearing units

UCFN/C - SUCFN/C - HCFN/C - SHCFN/C



## Waterproof housing

### Grub screws or eccentric collar shaft locking

#### PA FV polyamide housing

High mechanical and heat resistance. Proof to dust, humidity, washouts, steam, average aggressive chemical agents.

#### PP FV polypropylene housing

Proof to highly aggressive chemical agents. Inferior loading ability.

#### Solid flange bearings

Closed surface structure, ideal for sanitation.

## Material

### PA FV polyamide housing

- Housing in reinforced polyamide PA FV resin (black)
- Protection cover in polypropylene PP (orange)
- Seal and O-Ring in NBR rubber (black)
- Ball type nickel plated brass greasing nipple
- Reinforcing bushings on mounting holes and washers in stainless steel AISI 304

### PP FV polypropylene housing

- Housing in reinforced polypropylene PP FV resin (white)
- Protection cover in polypropylene PP (orange)
- Seal and O-Ring in NBR rubber (black).  
On request supplied in Viton rubber (brown).  
Viton material offers high resistance to chemical agents
- Ball type stainless steel AISI 316 greasing nipple
- Reinforcing bushings on mounting holes and washers in stainless steel AISI 316.

## Continuous operating temperature

in air: - 20 to + 60°C.

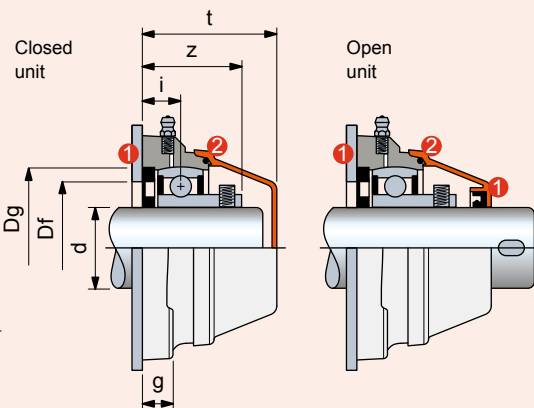
## Maximum allowed misalignment: 2°.

## Bearing

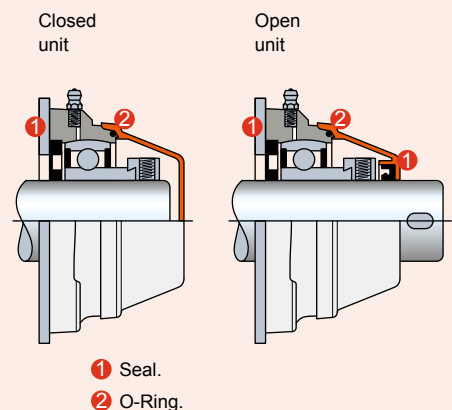


- Type A (grub screws shaft locking)
- Type D (eccentric collar shaft locking)
- Chrome alloy steel
- Superagriseal unit
- Prelubricated with lithium / calcium grease
- Can be relubricated.

### • Series UCFN/C • Type A Grub screws shaft locking



### • Series HCFN/C • Type D Eccentric collar shaft locking



- ① Seal.
- ② O-Ring.

# UCFN/C - SUCFN/C - HCFN/C - SHCFN/C

dia. d mm	Series	Housing material		Dimensions in mm										Bore in frame <sup>1)</sup> Df		Bearing	Weight Kg	Spare parts Cover orange <b>Code</b>
		Polyamide PA FV Solid Flange (black) Cover (orange)	Polypropylene PP FV Solid Flange (white) Cover (orange)	e	a	s	g	i	z	t	Dg	max.	min.					
<b>Grub screws shaft locking • Closed unit</b>																		
30	UCFN 206 C	<b>632223</b>	<b>632463</b>	83	110	11	15	20	42	55	62	60	50	Type A	0,50	63154		
35*	SUCFN 207 C	<b>632233</b>	<b>632473</b>	83	110	11	15	19,5	43	59	72	70	55	Type A	0,61	682022		
40*	SUCFN 208 C	<b>632243</b>	<b>632483</b>	83	110	11	15	19	44	66	80	78	65	Type A	0,82	600882		
<b>Grub screws shaft locking • Open unit</b>																		
30	UCFN 206 C	<b>632253</b>	<b>632493</b>	83	110	11	15	20	42	55	62	60	50	Type A	0,50	69965		
35*	SUCFN 207 C	<b>632263</b>	<b>632503</b>	83	110	11	15	19,5	43	59	72	70	55	Type A	0,61	682032		
40*	SUCFN 208 C	<b>632273</b>	<b>632513</b>	83	110	11	15	19	44	66	80	78	65	Type A	0,82	600892		
<b>Eccentric collar shaft locking • Closed unit</b>																		
30	HCFN 206 C	<b>632283</b>	<b>632523</b>	83	110	11	15	20	46,7	55	62	60	50	Type D	0,57	63154		
35*	SHCFN 207 C	<b>632293</b>	<b>632533</b>	83	110	11	15	19,5	48,9	59	72	70	55	Type D	0,79	682022		
40*	SHCFN 208 C	<b>632303</b>	<b>632543</b>	83	110	11	15	19	51,7	66	80	78	65	Type D	1,01	600882		
<b>Eccentric collar shaft locking • Open unit</b>																		
30	HCFN 206 C	<b>632313</b>	<b>632553</b>	83	110	11	15	20	46,7	55	62	60	50	Type D	0,57	69965		
35*	SHCFN 207 C	<b>632323</b>	<b>632563</b>	83	110	11	15	19,5	48,9	59	72	70	55	Type D	0,79	682032		
40*	SHCFN 208 C	<b>632333</b>	<b>632573</b>	83	110	11	15	19	51,7	66	80	78	65	Type D	1,01	600892		

**Item code for order = B0000 + Code**

\* = Version with special fixing holes.

<sup>1)</sup> = Dimensions Df max / Df min must be respected to ensure positive retention of the seals and to allow air bleeding during lubrication.

Packaging: 6 pieces.

# Square flange bearing units

UCFN/CL - SUCFN/CL - HCFN/CL - SHCFN/CL



**LIFE LUBRICATED**



**Dry use recommended**



## Life lubricated

The ball-bearings are pre-lubricated with a special grease keeping the bearing for its whole life. No need for re-lubrication (see page B78 to calculate the grease life).

## Grub screws or eccentric collar shaft locking

## PA FV polyamide housing

High mechanical and heat resistance. Proof to dust, humidity, washouts, steam, average aggressive chemical agents.

## Solid flange bearings

Closed surface structure, ideal for sanitation.

## Material

### PA FV polyamide housing

- Housing in reinforced polyamide PA FV resin (black)
- Protection cover in polypropylene PP (orange)
- Seal and O-Ring in NBR rubber (black)
- Reinforcing bushings on mounting holes and washers in stainless steel AISI 304.

## Continuous operating temperature

in air: - 20 to + 60°C.

## Maximum allowed misalignment: 2°.

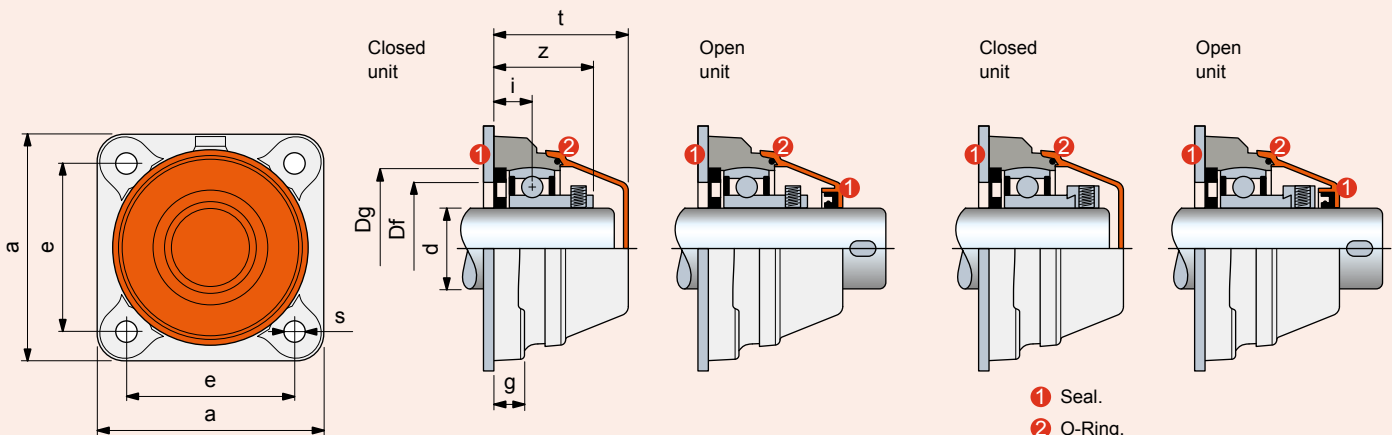
## Bearing



- Type A (grub screws shaft locking)
- Type D (eccentric collar shaft locking)
- Chrome alloy steel
- Superagriseal unit
- Prelubricated with lithium / calcium grease, no need for re-lubrication.

### • Series UCFN/CL • Type A Grub screws shaft locking

### • Series HCFN/CL • Type D Eccentric collar shaft locking



# UCFN/CL - SUCFN/CL - HCFN/CL - SHCFN/CL

dia. d mm	Series	Housing material		Dimensions in mm										Bore in frame Df		Bearing	Spare parts	
		Polyamide PA FV Solid Flange (black) Cover (orange)	Code	e	a	s	g	i	z	t	Dg	max.	min.	Weight Kg	Code			
<b>Grub screws shaft locking • Closed unit</b>																		
30	UCFN 206 CL	632223L	83	110	11	15	20	42	55	62	60	50	Type A	0,50	63154			
35*	SUCFN 207 CL	632233L	83	110	11	15	19,5	43	59	72	70	55	Type A	0,61	682022			
40*	SUCFN 208 CL	632243L	83	110	11	15	19	44	66	80	78	65	Type A	0,82	600882			
<b>Grub screws shaft locking • Open unit</b>																		
30	UCFN 206 CL	632253L	83	110	11	15	20	42	55	62	60	50	Type A	0,50	69965			
35*	SUCFN 207 CL	632263L	83	110	11	15	19,5	43	59	72	70	55	Type A	0,61	682032			
40*	SUCFN 208 CL	632273L	83	110	11	15	19	44	66	80	78	65	Type A	0,82	600892			
<b>Eccentric collar shaft locking • Closed unit</b>																		
30	HCFN 206 CL	632283L	83	110	11	15	20	46,7	55	62	60	50	Type D	0,57	63154			
35*	SHCFN 207 CL	632293L	83	110	11	15	19,5	48,9	59	72	70	55	Type D	0,79	682022			
40*	SHCFN 208 CL	632303L	83	110	11	15	19	51,7	66	80	78	65	Type D	1,01	600882			
<b>Eccentric collar shaft locking • Open unit</b>																		
30	HCFN 206 CL	632313L	83	110	11	15	20	46,7	55	62	60	50	Type D	0,57	69965			
35*	SHCFN 207 CL	632323L	83	110	11	15	19,5	48,9	59	72	70	55	Type D	0,79	682032			
40*	SHCFN 208 CL	632333L	83	110	11	15	19	51,7	66	80	78	65	Type D	1,01	600892			

**Item code for order = B0000 + Code**

\* = Version with special fixing holes.

Packaging: 6 pieces.

# Square flange bearing units

**UCFN - SUCFN - HCFN - SHCFN**



Accessories

**Material**

**PA FV polyamide housing**

- Housing in reinforced polyamide PA FV resin (black)
- Ball type nickel plated brass greasing nipple
- Reinforcing bushings on mounting holes and washers in stainless steel AISI 304.

**PP FV polypropylene housing**

- Housing in reinforced polypropylene PP FV resin (white)
- Bearing in stainless steel AISI 420
- Ball type stainless steel AISI 316 greasing nipple
- Reinforcing bushings on mounting holes and washers in stainless steel AISI 316.

**Continuous operating temperature**

in air: - 20 to + 60°C.

**Maximum allowed misalignment: 2°.**

**Bearing**

- Type B (grub screws shaft locking, chrome alloy steel, Superagriseal unit plus centrifuging ring)
- Type C (grub screws shaft locking, stainless steel AISI 420, Superagriseal unit plus rubberised centrifuging ring)
- Type A (grub screws shaft locking, chrome alloy steel, Superagriseal unit)
- Type D (eccentric collar shaft locking, chrome alloy steel, Superagriseal unit)
- Prelubricated with lithium / calcium grease
- Can be relubricated.

**Grub screws or eccentric collar shaft locking**

**Version with bearing Type B**

The double ring guarantees maximum protection against dust and non-corrosive substances.

**Version with stainless steel bearing Type C**

AISI 420 stainless steel bearing with 2 rubberised rings, provides excellent seal against humidity, steams, liquids, medium corrosive chemical agents. Maximum load ability is inferior.

**Version with bearing Type A**

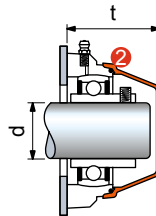
The rubberised ring guarantees maximum protection against dusts.

**Material**

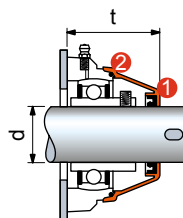
Polyamide PA FV guarantees maximum strength and high-temperature resistance. Polypropylene PP FV offers excellent resistance to chemical agents but inferior load ability.

**Protection covers (accessories)**

**Closed cover**



**Open cover**



- 1 Seals.
- 2 Seals O-Ring.

dia. d mm	Accessories Cover orange	t mm
	Code	
<b>Closed cover supplied with seals</b>		
30	63154	55
35*	682022	59
40*	600882	66
<b>Open cover supplied with seals</b>		
30	69965	55
35*	682032	59
40*	600892	66

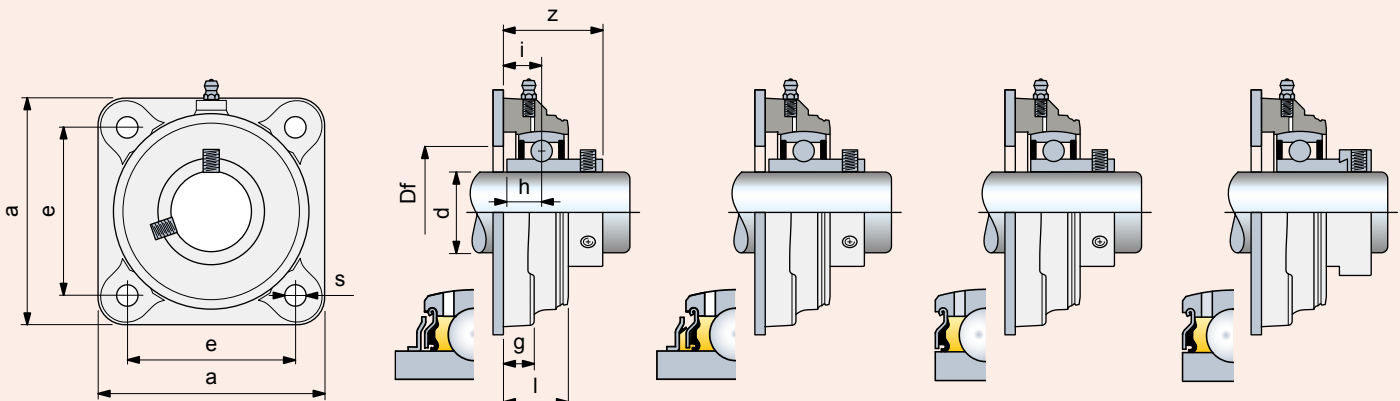
\* = Version with special fixing holes.

• Series UCFN • Type B  
Grub screws shaft locking

• Series UCFN • Type C  
Grub screws shaft locking

• Series UCFN • Type A  
Grub screws shaft locking

• Series HCFN • Type D  
Eccentric collar shaft locking



# UCFN - SUCFN - HCFN - SHCFN

dia. d mm	Series	Housing material		Dimensions in mm									Bore in frame Df mm	Bearing	Weight Kg
		Polyamide PA FV Solid Flange (black)	Polypropylene PP FV Solid Flange (white)	e	a	s	g	i	h	l	z				
<b>Grub screws shaft locking • Version with bearing Type B</b>															
30	UCFN 206	<b>634103</b>	-	83	110	11	15	20	15,9	31,5	42,2	34	Type B	0,51	
35*	SUCFN 207	<b>634113</b>	-	83	110	11	15	19,5	17,5	31,5	44,9	39	Type B	0,59	
40*	SUCFN 208	<b>634123</b>	-	83	110	11	15	19	19	31,5	49,2	44	Type B	0,82	
<b>Grub screws shaft locking • Version with stainless steel bearing Type C</b>															
30	UCFN 206	<b>634133</b>	<b>634313</b>	83	110	11	15	20	15,9	31,5	42,2	34	Type C	0,51	
35*	SUCFN 207	<b>634143</b>	<b>634323</b>	83	110	11	15	19,5	17,5	31,5	44,9	39	Type C	0,59	
40*	SUCFN 208	<b>634153</b>	<b>634333</b>	83	110	11	15	19	19	31,5	49,2	44	Type C	0,82	
<b>Grub screws shaft locking • Version with bearing Type A</b>															
30	UCFN 206	<b>634163</b>	<b>634343</b>	83	110	11	15	20	-	31,5	42	34	Type A	0,48	
35*	SUCFN 207	<b>634173</b>	<b>634353</b>	83	110	11	15	19,5	-	31,5	43	39	Type A	0,56	
40*	SUCFN 208	<b>634183</b>	<b>634363</b>	83	110	11	15	19	-	31,5	44	44	Type A	0,79	
<b>Eccentric collar shaft locking • Version with bearing Type D</b>															
30	HCFN 206	<b>634193</b>	<b>634373</b>	83	110	11	15	20	-	31,5	46,7	34	Type D	0,55	
35*	SHCFN 207	<b>634203</b>	<b>634383</b>	83	110	11	15	19,5	-	31,5	48,9	39	Type D	0,76	
40*	SHCFN 208	<b>634213</b>	<b>634393</b>	83	110	11	15	19	-	31,5	51,7	44	Type D	0,98	

**Item code for order = B0000 + Code**

\* = Version with special fixing holes.

Packaging: 6 pieces.

**Best Seller**

**Standard**

**On request**



# Square flange bearing units

UCF/C - SUCF/C - HCF/C - SHCF/C



## Waterproof housing

### Grub screws or eccentric collar shaft locking

#### PA FV polyamide housing

High mechanical and heat resistance. Proof to dust, humidity, washouts, steam, average aggressive chemical agents.

#### PP FV polypropylene housing

Proof to highly aggressive chemical agents. Inferior loading ability.

#### Solid flange bearings

They differ from standard flange versions for their closed surface structure, ideal for sanitation.

## Material

### PA FV polyamide housing

- Housing in reinforced polyamide PA FV resin (black)
- Protection cover in polypropylene PP (orange)
- Seal and O-Ring in NBR rubber (black)
- Ball type nickel plated brass greasing nipple
- Reinforcing bushings on mounting holes and washers in stainless steel AISI 304

### PP FV polypropylene housing

- Housing in reinforced polypropylene PP FV resin (white)
- Protection cover in polypropylene PP (orange)
- Seal and O-Ring in NBR rubber (black).  
On request supplied in Viton rubber (brown).  
Viton material offers high resistance to chemical agents
- Ball type stainless steel AISI 316 greasing nipple
- Reinforcing bushings on mounting holes and washers in stainless steel AISI 316.

## Continuous operating temperature

in air: - 20 to + 60°C.

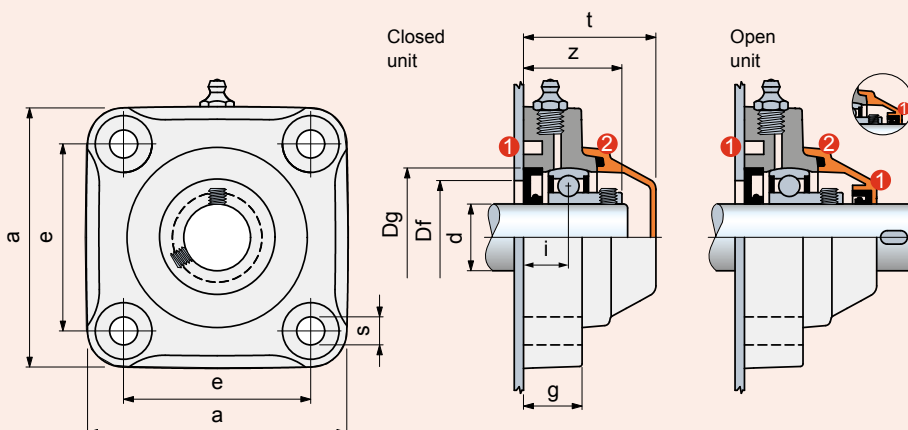
## Maximum allowed misalignment: 2°.

## Bearing

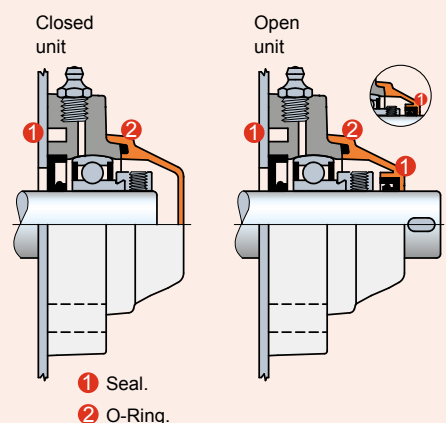


- Type A (grub screws shaft locking)
- Type D (eccentric collar shaft locking)
- Chrome alloy steel
- Superagriseal unit
- Prelubricated with lithium / calcium grease
- Can be relubricated.

### • Series UCF/C • Type A Grub screws shaft locking



### • Series HCF/C • Type D Eccentric collar shaft locking



# UCF/C - SUCF/C - HCF/C - SHCF/C

dia. d mm	Series	Housing material		Dimensions in mm										Bore in frame <sup>2)</sup> Df		Bearing	Weight Kg	Spare parts Cover orange <b>Code</b>
		Polyamide PA FV Standard Flange (black) Cover (orange)	Polypropylene PP FV Solid Flange (white) Cover (orange)	e	a	s	g	i	z	t	Dg	max.	min.					
		<b>Code</b>	<b>Code</b>															
<b>Grub screws shaft locking • Closed unit</b>																		
25	UCF 205 C	<b>64573</b>	<b>680932</b>	70	98	11	22,5	16,8	36,3	49,5	52	50	45	Type A	0,40	681952		
25*	SUCF 205 C	<b>603043</b>	-	83	110	11	26	19,3	38,8	54	52	50	45	Type A	0,50	681952		
30	UCF 206 C	<b>63112</b>	<b>680942</b>	83	110	11	26	20	42	56	62	60	50	Type A	0,56	63154		
35	UCF 207 C	<b>64018</b>	<b>680952</b>	92	120	11	26	19,5	43	59	72	70	55	Type A	0,72	682022		
35*	SUCF 207 C	<b>680522<sup>1)</sup></b>	<b>680962</b>	83	110	11	26	19,5	43	61	72	70	55	Type A	0,67	63539		
40	UCF 208 C	<b>68916</b>	<b>680972</b>	102	131	11	30	22	47	65,5	80	78	65	Type A	0,95	63539		
40*	SUCF 208 C	<b>61819</b>	<b>680982</b>	83	110	11	26	19	44	66	80	78	65	Type A	0,88	600882		
45*	SUCF 209 C	<b>686592<sup>1)</sup></b>	<b>686752</b>	102	131	11	30	23	54	73	85	83	75	Type A	1,10	686972		
50*	SUCF 210 C	<b>686602<sup>1)</sup></b>	<b>686762</b>	102	131	11	30	23	55,6	73	90	88	80	Type A	1,20	686972		
<b>Grub screws shaft locking • Open unit</b>																		
25	UCF 205 C	<b>64623</b>	<b>680992</b>	70	98	11	22,5	16,8	36,3	49,5	52	50	45	Type A	0,40	681972		
25*	SUCF 205 C	<b>603053</b>	-	83	110	11	26	19,3	38,8	54	52	50	45	Type A	0,50	681972		
30	UCF 206 C	<b>63172</b>	<b>681002</b>	83	110	11	26	20	42	56	62	60	50	Type A	0,56	69965		
35	UCF 207 C	<b>64028</b>	<b>681012</b>	92	120	11	26	19,5	43	59	72	70	55	Type A	0,72	682032		
35*	SUCF 207 C	<b>680582<sup>1)</sup></b>	<b>681022</b>	83	110	11	26	19,5	43	61	72	70	55	Type A	0,67	615692		
40	UCF 208 C	<b>68926</b>	<b>681032</b>	102	131	11	30	22	47	65,5	80	78	65	Type A	0,95	63549		
40*	SUCF 208 C	<b>61829</b>	<b>681042</b>	83	110	11	26	19	44	66	80	78	65	Type A	0,88	600892		
45*	SUCF 209 C	<b>686612<sup>1)</sup></b>	<b>686772</b>	102	131	11	30	23	54	73	85	83	75	Type A	1,10	686992		
50*	SUCF 210 C	<b>686622<sup>1)</sup></b>	<b>686782</b>	102	131	11	30	23	55,6	73	90	88	80	Type A	1,20	687002		
<b>Eccentric collar shaft locking • Closed unit</b>																		
25	HCF 205 C	<b>680452</b>	<b>681052</b>	70	98	11	22,5	16,8	40,2	49,5	52	50	45	Type D	0,44	681952		
25*	SHCF 205 C	<b>603063</b>	-	83	110	11	26	19,3	42,7	54	52	50	45	Type D	0,57	681952		
30	HCF 206 C	<b>621501</b>	<b>681062</b>	83	110	11	26	20	46,7	56	62	60	50	Type D	0,63	63154		
35	HCF 207 C	<b>680462</b>	<b>681072</b>	92	120	11	26	19,5	48,9	59	72	70	55	Type D	0,90	682022		
35*	SHCF 207 C	<b>680642<sup>1)</sup></b>	<b>681082</b>	83	110	11	26	19,5	48,9	61	72	70	55	Type D	0,85	63539		
40*	SHCF 208 C	<b>62439</b>	<b>681092</b>	83	110	11	26	19	51,7	66	80	78	65	Type D	1,07	600882		
45*	SHCF 209 C	<b>686632<sup>1)</sup></b>	<b>686792</b>	102	131	11	30	23	55,7	73	85	83	75	Type D	1,29	686972		
50*	SHCF 210 C	<b>686642</b>	<b>686802</b>	102	131	11	30	23	55,7	73	90	88	80	Type D	1,39	686972		
<b>Eccentric collar shaft locking • Open unit</b>																		
25	HCF 205 C	<b>680472</b>	<b>681102</b>	70	98	11	22,5	16,8	40,2	49,5	52	50	45	Type D	0,44	681972		
25*	SHCF 205 C	<b>603073</b>	-	83	110	11	26	19,3	42,7	54	52	50	45	Type D	0,57	681972		
30	HCF 206 C	<b>621481</b>	<b>681112</b>	83	110	11	26	20	46,7	56	62	60	50	Type D	0,63	69965		
35	HCF 207 C	<b>680482</b>	<b>681122</b>	92	120	11	26	19,5	48,9	59	72	70	55	Type D	0,90	682032		
35*	SHCF 207 C	<b>680692<sup>1)</sup></b>	<b>681132</b>	83	110	11	26	19,5	48,9	61	72	70	55	Type D	0,85	615692		
40*	SHCF 208 C	<b>62449</b>	<b>681142</b>	83	110	11	26	19	51,7	66	80	78	65	Type D	1,07	600892		
45*	SHCF 209 C	<b>686652<sup>1)</sup></b>	<b>686812</b>	102	131	11	30	23	55,7	73	85	83	75	Type D	1,29	686992		
50*	SHCF 210 C	<b>686662<sup>1)</sup></b>	<b>686822</b>	102	131	11	30	23	55,7	73	90	88	80	Type D	1,39	687002		

## Item code for order = B0000 + Code

\* = Version with special fixing holes.

<sup>1)</sup> = Solid flange.

<sup>2)</sup> = Dimensions Df max / Df min must be respected to ensure positive retention of the seals and to allow air bleeding during lubrication.

Packaging: 6 pieces.

**Best Seller**

**Standard**

**On request**

# Square flange bearing units

UCF/CL - SUCF/CL - HCF/CL - SHCF/CL

**LIFE LUBRICATED**



**Dry use recommended**



## Life lubricated

The ball-bearings are pre-lubricated with a special grease keeping the bearing for its whole life. No need for re-lubrication (see page B78 to calculate the grease life)

## Grub screws or eccentric collar shaft locking

### PA FV polyamide housing

High mechanical and heat resistance. Proof to dust, humidity, washouts, steam, average aggressive chemical agents.

### Solid flange bearings

They differ from standard flange versions for their closed surface structure, ideal for sanitation.

## Material

### PA FV polyamide housing

- Housing in reinforced polyamide PA FV resin (black)
- Protection cover in polypropylene PP (orange)
- Seal and O-Ring in NBR rubber (black)
- Reinforcing bushings on mounting holes and washers in stainless steel AISI 304.

## Continuous operating temperature

in air: - 20 to + 60°C.

## Maximum allowed misalignment: 2°.

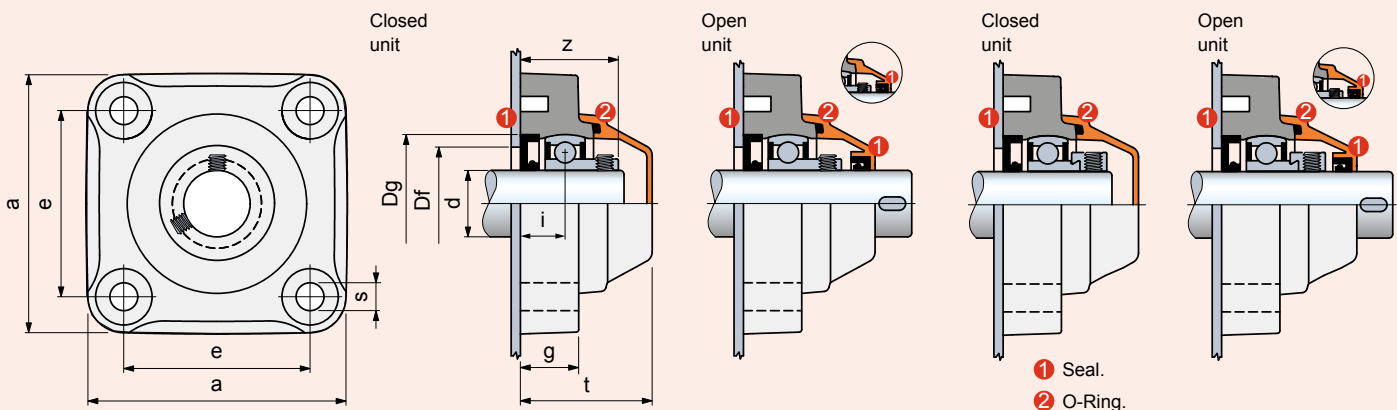
## Bearing



- Type A (grub screws shaft locking)
- Type D (eccentric collar shaft locking)
- Chrome alloy steel
- Superagriseal unit
- Prelubricated with lithium / calcium grease, no need for re-lubrication.

### • Series UCF/CL • Type A Grub screws shaft locking

### • Series HCF/CL • Type D Eccentric collar shaft locking



# UCF/CL - SUCF/CL - HCF/CL - SHCF/CL

dia. d mm	Series	Housing material	Dimensions in mm										Bore in frame Df		Bearing	Spare parts Cover orange	
		Polyamide PA FV Standard Flange (black) Cover (orange)	e	a	s	g	i	z	t	Dg	max.	min.	Weight Kg	Code			
<b>Grub screws shaft locking • Closed unit</b>																	
25	UCF 205 CL	64573L	70	98	11	22,5	16,8	36,3	49,5	52	50	45	Type A	0,40	681952		
25*	SUCF 205 CL	603043L	83	110	11	26	19,3	38,8	54	52	50	45	Type A	0,50	681952		
30	UCF 206 CL	63112L	83	110	11	26	20	42	56	62	60	50	Type A	0,56	63154		
35	UCF 207 CL	64018L	92	120	11	26	19,5	43	59	72	70	55	Type A	0,72	682022		
40	UCF 208 CL	68916L	102	131	11	30	22	47	65,5	80	78	65	Type A	0,95	63539		
40*	SUCF 208 CL	61819L	83	110	11	26	19	44	66	80	78	65	Type A	0,88	600882		
<b>Grub screws shaft locking • Open unit</b>																	
25	UCF 205 CL	64623L	70	98	11	22,5	16,8	36,3	49,5	52	50	45	Type A	0,40	681972		
25*	SUCF 205 CL	603053L	83	110	11	26	19,3	38,8	54	52	50	45	Type A	0,50	681972		
30	UCF 206 CL	63172L	83	110	11	26	20	42	56	62	60	50	Type A	0,56	69965		
35	UCF 207 CL	64028L	92	120	11	26	19,5	43	59	72	70	55	Type A	0,72	682032		
40	UCF 208 CL	68926L	102	131	11	30	22	47	65,5	80	78	65	Type A	0,95	63549		
40*	SUCF 208 CL	61829L	83	110	11	26	19	44	66	80	78	65	Type A	0,88	600892		
<b>Eccentric collar shaft locking • Closed unit</b>																	
25	HCF 205 CL	680452L	70	98	11	22,5	16,8	40,2	49,5	52	50	45	Type D	0,44	681952		
25*	SHCF 205 CL	603063L	83	110	11	26	19,3	42,7	54	52	50	45	Type D	0,57	681952		
30	HCF 206 CL	621501L	83	110	11	26	20	46,7	56	62	60	50	Type D	0,63	63154		
35	HCF 207 CL	680462L	92	120	11	26	19,5	48,9	59	72	70	55	Type D	0,90	682022		
40*	SHCF 208 CL	62439L	83	110	11	26	19	51,7	66	80	78	65	Type D	1,07	600882		
<b>Eccentric collar shaft locking • Open unit</b>																	
25	HCF 205 CL	680472L	70	98	11	22,5	16,8	40,2	49,5	52	50	45	Type D	0,44	681972		
25*	SHCF 205 CL	603073L	83	110	11	26	19,3	42,7	54	52	50	45	Type D	0,57	681972		
30	HCF 206 CL	621481L	83	110	11	26	20	46,7	56	62	60	50	Type D	0,63	69965		
35	HCF 207 CL	680482L	92	120	11	26	19,5	48,9	59	72	70	55	Type D	0,90	682032		
40*	SHCF 208 CL	62449L	83	110	11	26	19	51,7	66	80	78	65	Type D	1,07	600892		

**Item code for order = B0000 + Code**

\* = Version with special fixing holes.

Packaging: 6 pieces.

# Square flange bearing units

## UCF - SUCF - HCF - SHCF



Accessories

### Material

#### PA FV polyamide housing

- Housing in reinforced polyamide PA FV resin (black)
- Ball type nickel plated brass greasing nipple
- Reinforcing bushings on mounting holes and washers in stainless steel AISI 304.

#### PP FV polypropylene housing

- Housing in reinforced polypropylene PP FV resin (white)
- Bearing in stainless steel AISI 420
- Ball type stainless steel AISI 316 greasing nipple
- Reinforcing bushings on mounting holes and washers in stainless steel AISI 316.

### Continuous operating temperature

in air: - 20 to + 60°C.

### Maximum allowed misalignment: 2°.

### Bearing

- Type B (grub screws shaft locking, chrome alloy steel, Superagriseal unit plus centrifuging ring)
- Type C (grub screws shaft locking, stainless steel AISI 420, Superagriseal unit plus rubberised centrifuging ring)
- Type A (grub screws shaft locking, chrome alloy steel, Superagriseal unit)
- Type D (eccentric collar shaft locking, chrome alloy steel, Superagriseal unit)
- Prelubricated with lithium / calcium grease
- Can be relubricated.

### Grub screws or eccentric collar shaft locking

#### Version with bearing Type B

The double ring guarantees maximum protection against dust and non-corrosive substances.

#### Version with stainless steel bearing Type C

AISI 420 stainless steel bearing with 2 rubberised rings, provides excellent seal against humidity, steams, liquids, medium corrosive chemical agents. Maximum load ability is inferior.

#### Version with bearing Type A

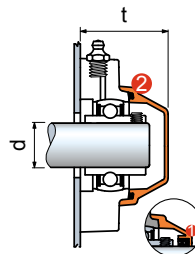
The rubberised ring guarantees maximum protection against dusts.

### Material

Polyamide PA FV guarantees maximum strength and high-temperature resistance. Polypropylene PP FV offers excellent resistance to chemical agents but inferior load ability.

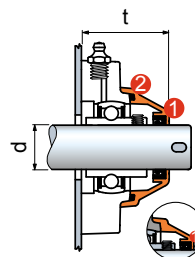
### Protection covers (accessories)

#### Closed cover



Dia 45/50 supplied without o-ring

#### Open cover



Dia 45/50 supplied without o-ring

① Seals.

② Seals O-Ring.

dia. d mm	Accessories Cover orange	t mm
	Code	
<b>Closed cover supplied with seals</b>		
25	681952	49,5
25*	681952	54
30	63154	56
35	682022	59
35* Standard	63154	54,6
35* Solid	63539	61
40	63539	65,5
40*	600882	66
45*	686972	73
50*	686972	73
<b>Open cover supplied with seals</b>		
25	681972	49,5
25*	681972	54
30	69965	56
35	682032	59
35* Standard	-	-
35* Solid	615692	61
40	63549	65,5
40*	600892	66
45*	686992	73
50*	687002	73

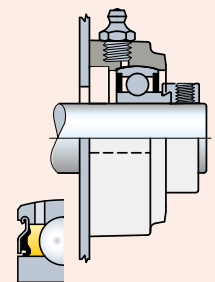
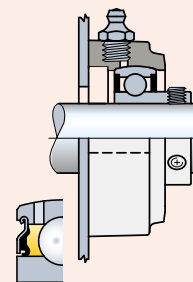
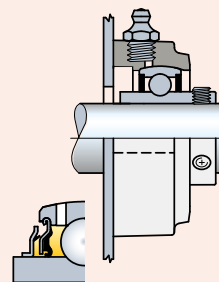
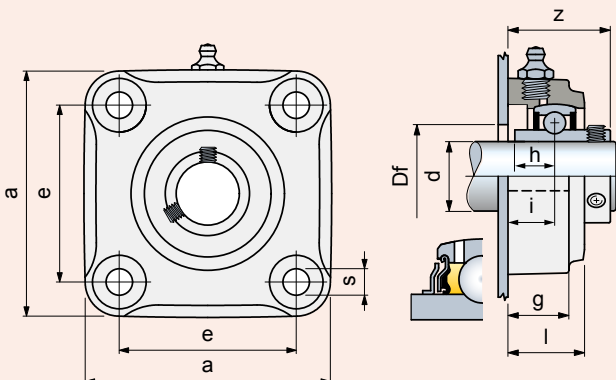
\* = Version with special fixing holes.

• Series UCF • Type B  
Grub screws shaft  
locking

• Series UCF • Type C  
Grub screws shaft  
locking

• Series UCF • Type A  
Grub screws shaft  
locking

• Series HCF • Type D  
Eccentric collar shaft  
locking



dia. d mm	Series	Housing material		Dimensions in mm									Bore in frame Df mm	Bearing	Weight Kg
		Polyamide PA FV Standard Flange (black)	Polypropylene PP FV Solid Flange (white)	e	a	s	g	i	h	l	z				
		Code													
<b>Grub screws shaft locking • Version with bearing Type B</b>															
25	UCF 205	64533	-	70	98	11	22,5	16,8	14,3	27,5	36,5	29	Type B	0,44	
25*	SUCF 205	603163	-	83	110	11	26	19,3	14,3	31,5	39	29	Type B	0,51	
30	UCF 206	60722	-	83	110	11	26	20	15,9	32,5	42,2	34	Type B	0,57	
35	UCF 207	64058	-	92	120	11	26	19,5	17,5	32	44,9	39	Type B	0,72	
35*	SUCF 207	68465	-	83	110	11	26	15,5	17,5	31,5	40,9	50	Type B	0,65	
40	UCF 208	68956	-	102	131	11	30	22	19	36	52,2	44	Type B	0,95	
40*	SUCF 208	61719	-	83	110	11	26	19	19	36	49,2	55	Type B	0,88	
45*	SUCF 209	689232	-	102	131	11	30	23	19	38	53,2	49	Type B	0,95	
50*	SUCF 210	689242	-	102	131	11	30	23	19	38	55,6	54	Type B	0,88	
<b>Grub screws shaft locking • Version with stainless steel bearing Type C</b>															
25	UCF 205	646592	681642	70	98	11	22,5	16,8	14,3	27,5	36,6	29	Type C	0,44	
30	UCF 206	646602	681652	83	110	11	26	20	15,9	32,5	42,2	34	Type C	0,57	
35	UCF 207	646612	681662	92	120	11	26	19,5	17,5	32	44,9	39	Type C	0,72	
35*	SUCF 207	646622	681672	83	110	11	26	15,5*	17,5	31,5	40,9	50	Type C	0,65	
40	UCF 208	646632	681682	102	131	11	30	22	19	36	52,2	44	Type C	0,95	
40*	SUCF 208	646642	681692	83	110	11	26	19	19	36	49,2	55	Type C	0,88	
<b>Grub screws shaft locking • Version with bearing Type A</b>															
25	UCF 205	656752	681282	70	98	11	22,5	16,8	-	27,5	36,3	29	Type A	0,39	
25*	SUCF 205	603143	-	83	110	11	26	19,3	-	31,5	38,8	29	Type A	0,48	
30	UCF 206	666442	681292	83	110	11	26	20	-	32,5	42	34	Type A	0,54	
35	UCF 207	666452	681302	92	120	11	26	19,5	-	32	43	39	Type A	0,69	
35*	SUCF 207	682062	681312	83	110	11	26	15,5*	-	31,5	39	39	Type A	0,62	
40	UCF 208	666462	681322	102	131	11	30	22	-	36	47	44	Type A	0,92	
40*	SUCF 208	681552	681332	83	110	11	26	19	-	36	44	44	Type A	0,85	
45*	SUCF 209	686852	686892	102	131	11	30	23	-	38	54	49	Type A	0,87	
50*	SUCF 210	686862	686902	102	131	11	30	23	-	38	55,6	54	Type A	1,04	
<b>Eccentric collar shaft locking • Version with bearing Type D</b>															
25	HCF 205	681562	681502	70	98	11	22,5	16,8	-	27,5	40,2	29	Type D	0,43	
25*	SHCF 205	603153	-	83	110	11	26	19,3	-	31,5	42,7	29	Type D	0,55	
30	HCF 206	62329	681512	83	110	11	26	20	-	32,5	46,7	34	Type D	0,61	
35	HCF 207	681572	681522	92	120	11	26	19,5	-	32	48,9	39	Type D	0,87	
35*	SHCF 207	681392 <sup>1)</sup>	681532	83	110	11	26	19,5	-	31,5	48,9	39	Type D	0,82	
40*	SHCF 208	62349	681542	83	110	11	26	19	-	36	51,7	44	Type D	1,04	
45*	SHCF 209	686912	686952	102	131	11	30	23	-	38	55,7	49	Type D	0,87	
50*	SHCF 210	686922	686962	102	131	11	30	23	-	38	55,7	54	Type D	1,04	

Item code for order = B0000 + Code

\* = Version with special fixing holes.

<sup>1)</sup> = Solid flange.

• = Solid flange 19,5.

Packaging: 6 pieces.

Best Seller

Standard

On request

# Square flange bearing units

UCFS/C - SUCFS/C - HCFS/C - SHCFS/C

- Austenitic stainless steel surface
- Waterproof housing
- Grub screws or eccentric collar shaft locking
- Solid flange
- Closed surface structure.



## Material

- Housing in reinforced polyamide PA FV resin (black)
- Austenitic stainless steel surface
- Protection cover in polypropylene PP (orange)
- Seal and O-Ring in NBR rubber (black)
- Ball type nickel plated brass greasing nipple.

## Continuous operating temperature

in air: - 20 to + 60°C.

## Maximum allowed misalignment: 2°.

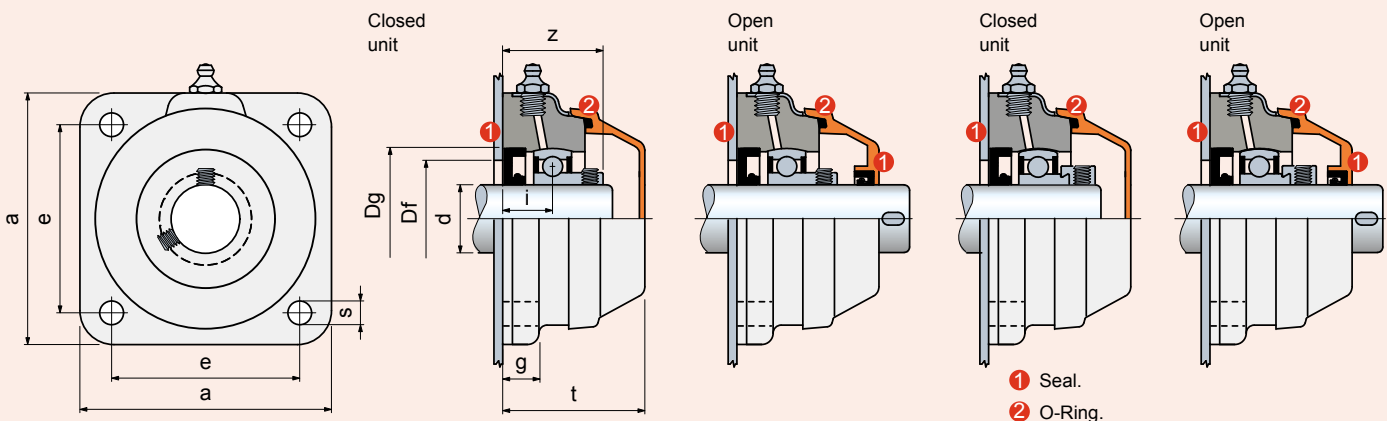
## Bearing



- Type A (grub screws shaft locking)
- Type D (eccentric collar shaft locking)
- Chrome alloy steel
- Superagriseal unit
- Prelubricated with lithium / calcium grease
- Can be relubricated.

### Series UCFS/C • Type A Grub screws shaft locking

### Series HCFS/C • Type D Eccentric collar shaft locking



# UCFS/C - SUCFS/C - HCFS/C - SHCFS/C

dia. d mm	Series	Housing material	Dimensions in mm										Bore in frame <sup>1)</sup> Df		Bearing	Weight Kg	Spare parts Cover orange
		Polyamide PA FV with austenitic stainless steel surface Solid Flange Cover (orange)	e	a	s	g	i	z	t	Dg	max.	min.	Code				
<b>Grub screws shaft locking • Closed unit</b>																	
30	UCFS 206 C	647613	83	111	10,5	15,9	22	44	65,8	62	60	50	Type A	0,73	63539		
35*	SUCFS 207 C	647623	83	111	10,5	15,9	22	45,5	65,8	72	70	55	Type A	0,84	63539		
40*	SUCFS 208 C	647633	83	111	10,5	15,9	22	47	65,8	80	78	65	Type A	0,94	63539		
<b>Grub screws shaft locking • Open unit</b>																	
30	UCFS 206 C	647643	83	111	10,5	15,9	22	44	65,8	62	60	50	Type A	0,73	615682		
35*	SUCFS 207 C	647653	83	111	10,5	15,9	22	45,5	65,8	72	70	55	Type A	0,84	615692		
40*	SUCFS 208 C	647663	83	111	10,5	15,9	22	47	65,8	80	78	65	Type A	0,94	63549		
<b>Eccentric collar shaft locking • Closed unit</b>																	
30	HCFS 206 C	647673	83	111	10,5	15,9	22	48,7	65,8	62	60	50	Type D	0,80	63539		
35*	SHCFS 207 C	647683	83	111	10,5	15,9	22	51,4	65,8	72	70	55	Type D	0,90	63539		
40*	SHCFS 208 C	647693	83	111	10,5	15,9	19	51,7	65,8	80	78	65	Type D	1,00	63539		
<b>Eccentric collar shaft locking • Open unit</b>																	
30	HCFS 206 C	647703	83	111	10,5	15,9	22	48,7	65,8	62	60	50	Type D	0,80	615682		
35*	SHCFS 207 C	647713	83	111	10,5	15,9	22	51,4	65,8	72	70	55	Type D	0,90	615692		
40*	SHCFS 208 C	647723	83	111	10,5	15,9	19	51,7	65,8	80	78	65	Type D	1,00	63549		

**Item code for order = B0000 + Code**

\* = Version with special fixing holes.

<sup>1)</sup> = Dimensions Df max / Df min must be respected to ensure positive retention of the seals and to allow air bleeding during lubrication.

Packaging: 6 pieces.



# Square flange bearing units

**F - SF**



**Waterproof housing**

**Shaft shoulders locking**

High axial load capacity.

**PA FV polyamide housing**

High mechanical and heat resistance. Proof to dust, humidity, washouts, steam, average aggressive chemical agents.

**PP FV polypropylene housing**

Proof to highly aggressive chemical agents. Inferior loading ability.

## Material

### PA FV polyamide housing

- Housing in reinforced polyamide PA FV resin (black)
- Seal and O-Ring in NBR rubber (black)
- Ball type nickel plated brass greasing nipple
- Reinforcing bushings on mounting holes and washers in stainless steel AISI 304.

### PP FV polypropylene housing

- Housing in reinforced polypropylene PP FV resin (black)
- Seal and O-Ring in NBR rubber (black).
- On request supplied in Viton rubber (brown).
- Viton material offers high resistance to chemical agents.
- Ball type stainless steel AISI 316 greasing nipple
- Reinforcing bushings on mounting holes and washers in stainless steel AISI 316.

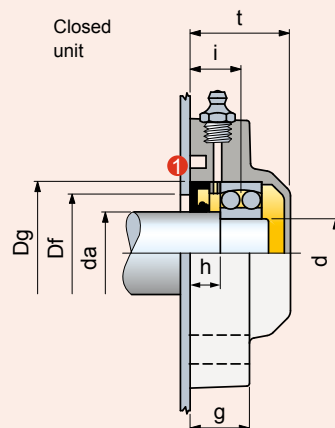
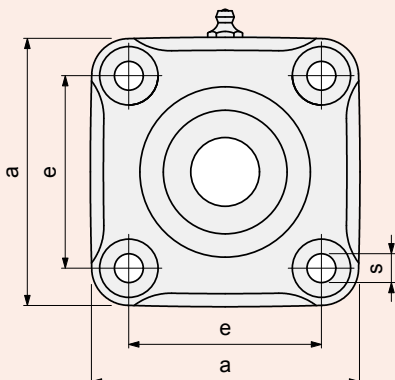
## Continuous operating temperature

in air: - 20 to + 60°C.

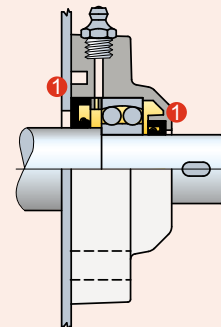
## Maximum allowed misalignment: 2°.

## Bearing

- Type 1200 self aligning ball bearing
- Chrome alloy steel
- Supplied without grease
- To be prelubricated with lithium / calcium grease during first installation.



Open unit



1 Seal.

Shaft dia. da mm	Bearing dia. d mm	Series	Housing material		Dimensions in mm										Bore in frame <sup>1)</sup> Df		Bearing	Weight Kg
			Polyamide PA FV Standard Flange (black)	Polypropylene PP FV Standard Flange (black)	e	a	s	g	i	h	t	Dg	max.	min.				
			<b>Code</b>	<b>Code</b>														
<b>Closed unit</b>																		
30	25	F 1205	<b>64433</b>	<b>681702</b>	70	98	11	22,5	18,5	11	36,5	52	50	47	Type 1200	0,36		
35	30	F 1206	<b>65811</b>	<b>681712</b>	83	110	11	26	19	11	40	62	60	52	Type 1200	0,53		
40	35	F 1207	<b>63978</b>	<b>681722</b>	92	120	11	26	19,5	11	39,5	72	70	60	Type 1200	0,62		
40*	35*	SF 1207	<b>699782</b>	<b>699802</b>	83	110	11	26	19	10	39	72	70	60	Type 1200	0,60		
45	40	F 1208	<b>68876</b>	<b>681732</b>	102	131	11	30	24,5	15,5	45	80	78	65	Type 1200	0,85		
45*	40*	SF 1208	<b>69988</b>	<b>681742</b>	83	110	11	26	19	10	39	80	78	65	Type 1200	0,78		
<b>Open unit</b>																		
30	25	F 1205	<b>64483</b>	<b>681752</b>	70	98	11	22,5	18,5	11	36,5	52	50	47	Type 1200	0,36		
35	30	F 1206	<b>65901</b>	<b>681762</b>	83	110	11	26	19	11	40	62	60	52	Type 1200	0,53		
40	35	F 1207	<b>63988</b>	<b>681772</b>	92	120	11	26	19,5	11	39,5	72	70	60	Type 1200	0,62		
40*	35*	SF 1207	<b>699792</b>	<b>699812</b>	83	110	11	26	19	10	39	72	70	60	Type 1200	0,60		
45	40	F 1208	<b>68886</b>	<b>681782</b>	102	131	11	30	24,5	15,5	45	80	78	65	Type 1200	0,85		
45*	40*	SF 1208	<b>69998</b>	<b>681792</b>	83	110	11	26	19	10	39	80	78	65	Type 1200	0,78		

**Item code for order = B0000 + Code**

\* = Version with special fixing holes.

<sup>1)</sup> = Dimensions Df max / Df min must be respected to ensure positive retention of the seals and to allow air bleeding during lubrication.

Packaging: 6 pieces.

# Oval flange bearing units BALM

UCFX/T - SUCFX/T - HCFX/T - SHCFX/T



## Material

### PA FV polyamide housing

- Housing in reinforced polyamide PA FV resin (black)
- Protection cover in polypropylene PP (orange)
- Seal and O-Ring in NBR rubber (black)
- Ball type nickel plated brass greasing nipple
- Reinforcing bushings on mounting holes and washers in stainless steel AISI 304.

## Continuous operating temperature

in air: - 20 to + 60°C.

## Maximum allowed misalignment: 2°.

## Bearing



- Type A (grub screws shaft locking)
- Type D (eccentric collar shaft locking)
- Chrome alloy steel
- Superagriseal unit
- Prelubricated with lithium / calcium grease
- Can be relubricated.

## Waterproof housing

### Grub screws or eccentric collar shaft locking

### PA FV polyamide housing

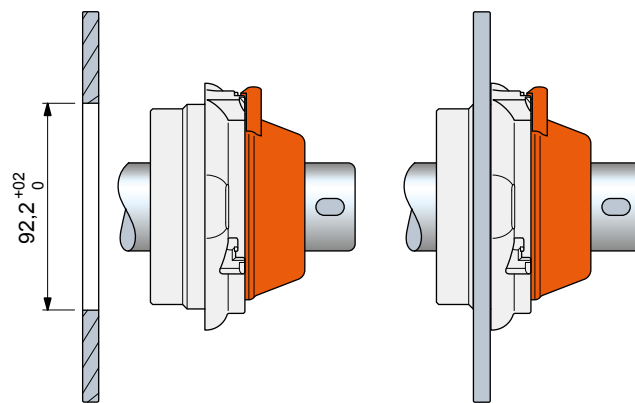
High mechanical and heat resistance. Proof to dust, humidity, washouts, steam, average aggressive chemical agents.

### Solid flange bearings

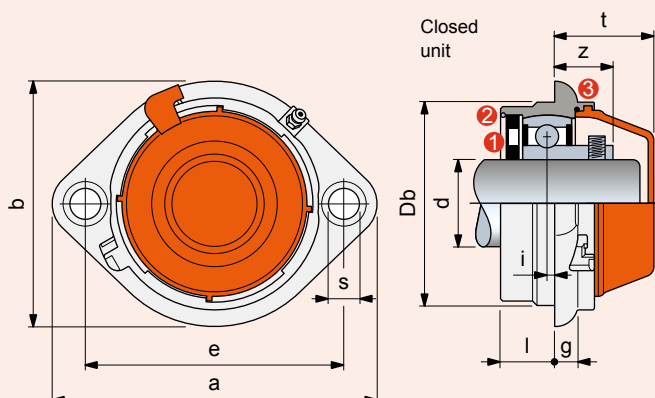
Closed surface structure, ideal for sanification.

**BALM** is the new generation of MB bearings that allows to standardize one universal solution in place of both square and oval versions, and moreover can simplify and reduce the cost of the conveyor structure in the drive area. **BALM** bearing is "self balanced", that means that bearing insert axis overlaps with the frame sheet axis: as a result torque and forces on the fixation screws are reduced and a smaller-cheaper frame to sustain the drive is possible. There is no need for multiple fixation points. Conveyor room requirement is significantly reduced. Cap coupling is waterproof: the new cap fixation concept enables an effective assembly disassembly and is safely secured.

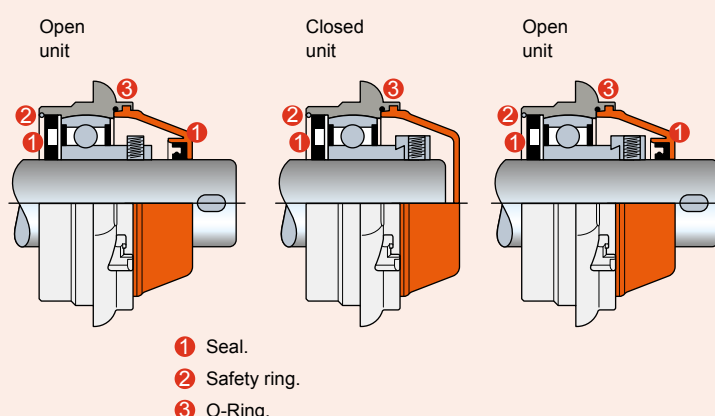
## Assembly



### • Series UCFX/T • Type A Grub screws shaft locking



### • Series HCFX/T • Type D Eccentric collar shaft locking



- 1 Seal.
- 2 Safety ring.
- 3 O-Ring.

# UCFX/T - SUCFX/T - HCFX/T - SHCFX/T

dia. d mm	Series	Housing material	Dimensions in mm											Db	Bearing	Weight Kg	Spare parts Cover orange
		Polyamide PA FV Solid Flange (black) Cover (orange)	Code	e	a	b	s	g	l	i	z	t	Code				
<b>Grub screws shaft locking • Closed unit</b>																	
30	UCFX 206 T	630323	117	147	111	11	10,7	25	2	20,5	45	92	Type A	0,50	630443		
35	SUCFX 207 T	630333	117	147	111	11	10,7	25	2	21,5	45	92	Type A	0,57	630443		
40	SUCFX 208 T	630343	117	147	111	11	10,7	25	2	22,5	45	92	Type A	0,69	630443		
<b>Grub screws shaft locking • Open unit</b>																	
30	UCFX 206 T	630353	117	147	111	11	10,7	25	2	20,5	45	92	Type A	0,50	630453		
35	SUCFX 207 T	630363	117	147	111	11	10,7	25	2	21,5	45	92	Type A	0,57	630463		
40	SUCFX 208 T	630373	117	147	111	11	10,7	25	2	22,5	45	92	Type A	0,69	630473		
<b>Eccentric collar shaft locking • Closed unit</b>																	
30	HCFX 206 T	630383	117	147	111	11	10,7	25	2	25,2	45	92	Type D	0,58	630443		
35	SHCFX 207 T	630393	117	147	111	11	10,7	25	2	27,4	45	92	Type D	0,75	630443		
40	SHCFX 208 T	630403	117	147	111	11	10,7	25	2	30,2	45	92	Type D	0,88	630443		
<b>Eccentric collar shaft locking • Open unit</b>																	
30	HCFX 206 T	630413	117	147	111	11	10,7	25	2	25,2	45	92	Type D	0,58	630453		
35	SHCFX 207 T	630423	117	147	111	11	10,7	25	2	27,4	45	92	Type D	0,75	630463		
40	SHCFX 208 T	630433	117	147	111	11	10,7	25	2	30,2	45	92	Type D	0,88	630473		

**Item code for order = B0000 + Code**

Packaging: 6 pieces.

# Oval flange bearing units

UCFLN/C - SUCFLN/C - HCFLN/C - SHCFLN/C



**Waterproof housing**

**Grub screws or eccentric collar shaft locking**

**PA FV polyamide housing**

High mechanical and heat resistance. Proof to dust, humidity, washouts, steam, average aggressive chemical agents.

**PP FV polypropylene housing**

Proof to highly aggressive chemical agents. Inferior loading ability.

**Solid flange bearings**

Closed surface structure, ideal for sanification.

**Material**

**PA FV polyamide housing**

- Housing in reinforced polyamide PA FV resin (black)
- Protection cover in polypropylene PP (orange)
- Seal and O-Ring in NBR rubber (black)
- Ball type nickel plated brass greasing nipple
- Reinforcing bushings on mounting holes and washers in stainless steel AISI 304

**PP FV polypropylene housing**

- Housing in reinforced polypropylene PP FV resin (white)
- Protection cover in polypropylene PP (orange)
- Seal and O-Ring in NBR rubber (black).  
On request supplied in Viton rubber (brown).  
Viton material offers high resistance to chemical agents
- Ball type stainless steel AISI 316 greasing nipple
- Reinforcing bushings on mounting holes and washers in stainless steel AISI 316.

**Continuous operating temperature**

in air: - 20 to + 60°C.

**Maximum allowed misalignment: 2°.**

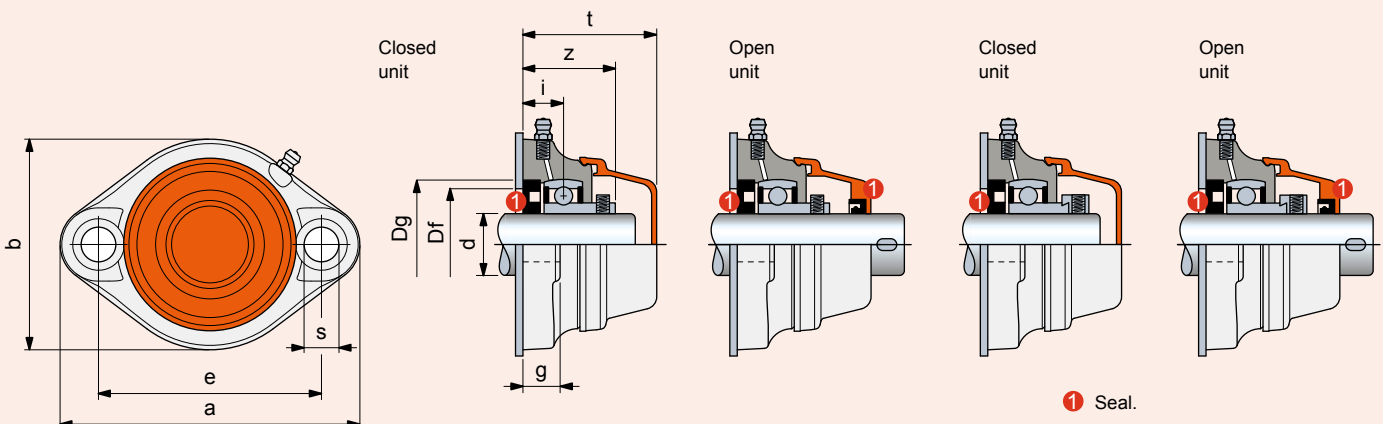
**Bearing**



- Type A (grub screws shaft locking)
- Type D (eccentric collar shaft locking)
- Chrome alloy steel
- Superagriseal unit
- Prelubricated with lithium / calcium grease
- Can be relubricated.

• Series UCFLN/C • Type A  
Grub screws shaft locking

• Series HCFLN/C • Type D  
Eccentric collar shaft locking



1 Seal.

# UCFLN/C - SUCFLN/C - HCFLN/C - SHCFLN/C

dia. d mm	Series	Housing material		Dimensions in mm										Bore in frame <sup>1)</sup> Df		Bearing	Weight Kg	Spare parts Cover orange <b>Code</b>	
		Polyamide PA FV Solid Flange (black) Cover (orange)	Polypropylene PP FV Solid Flange (white) Cover (orange)	e	a	b	s	g	i	z	t	Dg	max.	min.					
		<b>Code</b>	<b>Code</b>																
<b>Grub screws shaft locking • Closed unit</b>																			
17	UCFLN 203 C	<b>629663</b>	<b>629823</b>	76,5	100	70	11	11	17,5	33,5	49	40	38	33	Type A	0,19	629903		
20*	SUCFLN 204 C	<b>629673</b>	<b>629833</b>	76,5	100	70	11	11	15,2	33,2	49	47	45	40	Type A	0,21	629903		
25*	SUCFLN 205 C	<b>625923</b>	<b>626083</b>	90	122	85	11	15	16,8	36,3	54	52	50	45	Type A	0,28	626203		
30	UCFLN 206 C	<b>633443</b>	<b>633523</b>	117	149	85	11	15	20	42	55	62	60	50	Type A	0,37	63154		
30*	SUCFLN 206 C	<b>625933</b>	<b>626093</b>	90	122	85	11	15	15	37	54	62	60	50	Type A	0,37	626203		
<b>Grub screws shaft locking • Open unit</b>																			
17	UCFLN 203 C	<b>629683</b>	<b>629843</b>	76,5	100	70	11	11	17,5	33,5	49	40	38	33	Type A	0,19	629913		
20*	SUCFLN 204 C	<b>629693</b>	<b>629853</b>	76,5	100	70	11	11	15,2	33,2	49	47	45	40	Type A	0,21	629923		
25*	SUCFLN 205 C	<b>625943</b>	<b>626103</b>	90	122	85	11	15	16,8	36,3	54	52	50	45	Type A	0,28	626213		
30	UCFLN 206 C	<b>633453</b>	<b>633533</b>	117	149	85	11	15	20	42	55	62	60	50	Type A	0,37	69965		
30*	SUCFLN 206 C	<b>625953</b>	<b>626113</b>	90	122	85	11	15	15	37	54	62	60	50	Type A	0,37	626223		
<b>Eccentric collar shaft locking • Closed unit</b>																			
17	HCFLN 203 C	<b>629703</b>	<b>629863</b>	76,5	100	70	11	11	17,5	39,6	49	40	38	33	Type D	0,24	629903		
20*	SHCFLN 204 C	<b>629713</b>	<b>629873</b>	76,5	100	70	11	11	15,2	38,6	49	47	45	40	Type D	0,26	629903		
25*	SHCFLN 205 C	<b>625963</b>	<b>626123</b>	90	122	85	11	15	16,8	40,2	54	52	50	45	Type D	0,33	626203		
30	HCFLN 206 C	<b>633463</b>	<b>633543</b>	117	149	85	11	15	20	46,7	55	62	60	50	Type D	0,42	63154		
30*	SHCFLN 206 C	<b>625973</b>	<b>626133</b>	90	122	85	11	15	15	41,7	54	62	60	50	Type D	0,42	626203		
<b>Eccentric collar shaft locking • Open unit</b>																			
17	HCFLN 203 C	<b>629723</b>	<b>629883</b>	76,5	100	70	11	11	17,5	39,6	49	40	38	33	Type D	0,24	629913		
20*	SHCFLN 204 C	<b>629733</b>	<b>629893</b>	76,5	100	70	11	11	15,2	38,6	49	47	45	40	Type D	0,26	629923		
25*	SHCFLN 205 C	<b>625983</b>	<b>626143</b>	90	122	85	11	15	16,8	40,2	54	52	50	45	Type D	0,33	626213		
30	HCFLN 206 C	<b>633473</b>	<b>633553</b>	117	149	85	11	15	20	46,7	55	62	60	50	Type D	0,42	69965		
30*	SHCFLN 206 C	<b>625993</b>	<b>626153</b>	90	122	85	11	15	15	41,7	54	62	60	50	Type D	0,42	626223		

**Item code for order = B0000 + Code**

\* = Version with special fixing holes.

<sup>1)</sup> = Dimensions Df max / Df min must be respected to ensure positive retention of the seals and to allow air bleeding during lubrication.

Packaging: 6 pieces.

# Oval flange bearing units

UCFLN/CL - SUCFLN/CL - HCFLN/CL - SHCFLN/CL



**LIFE LUBRICATED**



**Dry use recommended**

## Life lubricated

The ball-bearings are pre-lubricated with a special grease keeping the bearing for its whole life. No need for re-lubrication (see page B78 to calculate the grease life).

## Grub screws or eccentric collar shaft locking

## PA FV polyamide housing

High mechanical and heat resistance. Proof to dust, humidity, washouts, steam, average aggressive chemical agents.

## Solid flange bearings

Closed surface structure, ideal for sanitation.



## Material

### PA FV polyamide housing

- Housing in reinforced polyamide PA FV resin (black)
- Protection cover in polypropylene PP (orange)
- Seal and O-Ring in NBR rubber (black)
- Reinforcing bushings on mounting holes and washers in stainless steel AISI 304.

## Continuous operating temperature

in air: - 20 to + 60°C.

## Maximum allowed misalignment: 2°.

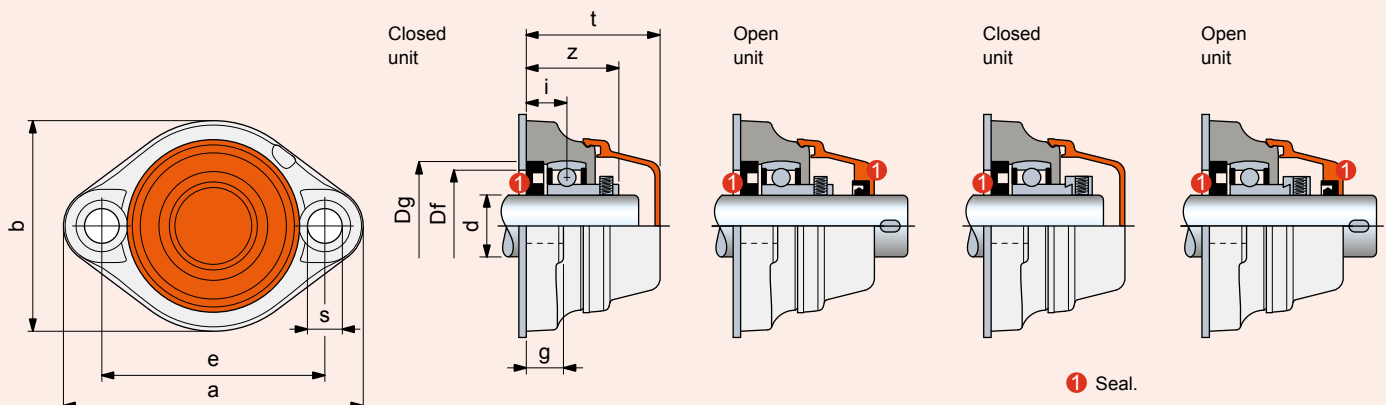
## Bearing



- Type A (grub screws shaft locking)
- Type D (eccentric collar shaft locking)
- Chrome alloy steel
- Superagriseal unit
- Prelubricated with lithium / calcium grease, no need for re-lubrication.

### • Series UCFLN/CL • Type A Grub screws shaft locking

### • Series HCFLN/CL • Type D Eccentric collar shaft locking



1 Seal.

# UCFLN/CL - SUCFLN/CL - HCFLN/CL - SHCFLN/CL

dia. d mm	Series	Housing material	Dimensions in mm										Bore in frame Df		Bearing	Weight Kg	Spare parts	
		Polyamide PA FV Solid Flange (black) Cover (orange)	e	a	b	s	g	i	z	t	Dg	max.	min.	Code				
			Code															Code
<b>Grub screws shaft locking • Closed unit</b>																		
17	UCFLN 203 CL	629663L	76,5	100	70	11	11	17,5	33,5	49	40	38	33	Type A	0,19	629903		
20*	SUCFLN 204 CL	629673L	76,5	100	70	11	11	15,2	33,2	49	47	45	40	Type A	0,21	629903		
25*	SUCFLN 205 CL	625923L	90	122	85	11	15	16,8	36,3	54	52	50	45	Type A	0,28	626203		
30	UCFLN 206 CL	633443L	117	149	85	11	15	20	42	55	62	60	50	Type A	0,37	63154		
30*	SUCFLN 206 CL	625933L	90	122	85	11	15	15	37	54	62	60	50	Type A	0,37	626203		
<b>Grub screws shaft locking • Open unit</b>																		
17	UCFLN 203 CL	629683L	76,5	100	70	11	11	17,5	33,5	49	40	38	33	Type A	0,19	629913		
20*	SUCFLN 204 CL	629693L	76,5	100	70	11	11	15,2	33,2	49	47	45	40	Type A	0,21	629923		
25*	SUCFLN 205 CL	625943L	90	122	85	11	15	16,8	36,3	54	52	50	45	Type A	0,28	626213		
30	UCFLN 206 CL	633453L	117	149	85	11	15	20	42	55	62	60	50	Type A	0,37	69965		
30*	SUCFLN 206 CL	625953L	90	122	85	11	15	15	37	54	62	60	50	Type A	0,37	626223		
<b>Eccentric collar shaft locking • Closed unit</b>																		
17	HCFLN 203 CL	629703L	76,5	100	70	11	11	17,5	39,6	49	40	38	33	Type D	0,24	629903		
20*	SHCFLN 204 CL	629713L	76,5	100	70	11	11	15,2	38,6	49	47	45	40	Type D	0,26	629903		
25*	SHCFLN 205 CL	625963L	90	122	85	11	15	16,8	40,2	54	52	50	45	Type D	0,33	626203		
30	HCFLN 206 CL	633463L	117	149	85	11	15	20	46,7	55	62	60	50	Type D	0,42	63154		
30*	SHCFLN 206 CL	625973L	90	122	85	11	15	15	41,7	54	62	60	50	Type D	0,42	626203		
<b>Eccentric collar shaft locking • Open unit</b>																		
17	HCFLN 203 CL	629723L	76,5	100	70	11	11	17,5	39,6	49	40	38	33	Type D	0,24	629913		
20*	SHCFLN 204 CL	629733L	76,5	100	70	11	11	15,2	38,6	49	47	45	40	Type D	0,26	629923		
25*	SHCFLN 205 CL	625983L	90	122	85	11	15	16,8	40,2	54	52	50	45	Type D	0,33	626213		
30	HCFLN 206 CL	633473L	117	149	85	11	15	20	46,7	55	62	60	50	Type D	0,42	69965		
30*	SHCFLN 206 CL	625993L	90	122	85	11	15	15	41,7	54	62	60	50	Type D	0,42	626223		

**Item code for order = B0000 + Code**

\* = Version with special fixing holes.

Packaging: 6 pieces.



# Oval flange bearing units

## UCFLN - SUCFLN - HCFLN - SHCFLN



Accessories

### Material

#### PA FV polyamide housing

- Housing in reinforced polyamide PA FV resin (black)
- Ball type nickel plated brass greasing nipple
- Reinforcing bushings on mounting holes and washers in stainless steel AISI 304.

#### PP FV polypropylene housing

- Housing in reinforced polypropylene PP FV resin (white)
- Bearing in stainless steel AISI 420
- Ball type stainless steel AISI 316 greasing nipple
- Reinforcing bushings on mounting holes and washers in stainless steel AISI 316.

### Continuous operating temperature

in air: - 20 to + 60°C.

### Maximum allowed misalignment: 2°.

### Bearing

- Type B (grub screws shaft locking, chrome alloy steel, Superagriseal unit plus centrifuging ring)
- Type C (grub screws shaft locking, stainless steel AISI 420, Superagriseal unit plus rubberised centrifuging ring)
- Type A (grub screws shaft locking, chrome alloy steel, Superagriseal unit)
- Type D (eccentric collar shaft locking, chrome alloy steel, Superagriseal unit)
- Prelubricated with lithium / calcium grease
- Can be relubricated.

### Grub screws or eccentric collar shaft locking

#### Version with bearing Type B

The double ring guarantees maximum protection against dust and non-corrosive substances.

#### Version with stainless steel bearing Type C

AISI 420 stainless steel bearing with 2 rubberised rings, provides excellent seal against humidity, steams, liquids, medium corrosive chemical agents. Maximum load ability is inferior.

#### Version with bearing Type A

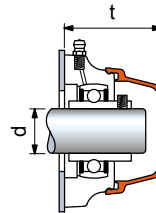
The rubberised ring guarantees maximum protection against dusts.

### Material

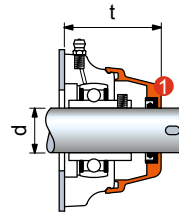
Polyamide PA FV guarantees maximum strength and high-temperature resistance. Polypropylene PP FV offers excellent resistance to chemical agents but inferior load ability.

### Protection covers (accessories)

#### Closed cover



#### Open cover



① Seals.

dia. d mm	Accessories	t mm	
	Cover orange <b>Code</b>	UCFL	HCFL
<b>Closed cover supplied</b>			
17	<b>629903</b>	49	49
20*	<b>629903</b>	49	49
25*	<b>626203</b>	54	54
30	<b>63154</b>	55	55
30*	<b>626203</b>	54	54
<b>Open cover supplied with seals</b>			
17	<b>629913</b>	49	49
20*	<b>629923</b>	49	49
25*	<b>626213</b>	54	54
30	<b>69965</b>	55	55
30*	<b>626223</b>	54	54

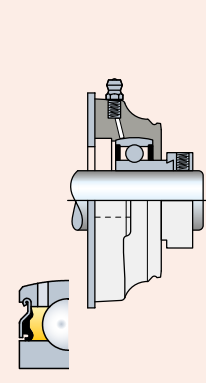
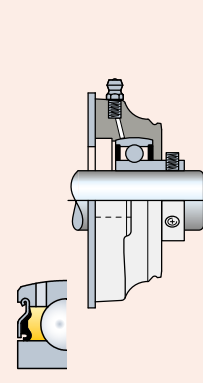
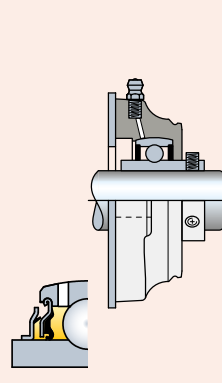
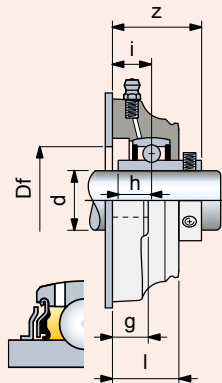
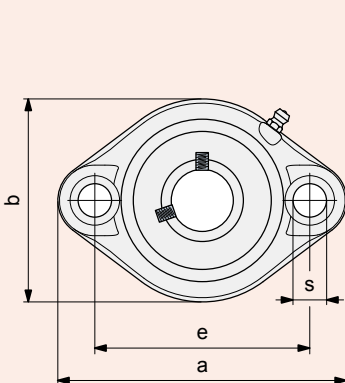
\* = Version with special fixing holes.

• Series UCFLN • Type B  
Grub screws shaft  
locking

• Series UCFLN • Type C  
Grub screws shaft  
locking

• Series UCFLN • Type A  
Grub screws shaft  
locking

• Series HCFLN • Type D  
Eccentric collar shaft  
locking



# UCFLN - SUCFLN - HCFLN - SHCFLN

dia. d mm	Series	Housing material		Dimensions in mm										Bore in frame Df mm	Bearing	Weight Kg
		Polyamide PA FV Solid Flange (black)	Polypropylene PP FV Solid Flange (white)	e	a	b	s	g	i	h	l	z				
		Code														
<b>Grub screws shaft locking • Version with bearing Type B</b>																
17	UCFLN 203	<b>633563</b>	-	76,5	100	70	11	11	17,5	11,5	25,5	33,4	21	Type B	0,13	
20*	SUCFLN 204	<b>633573</b>	-	76,5	100	70	11	11	15,2	12,7	25,5	33,5	24	Type B	0,15	
25*	SUCFLN 205	<b>633583</b>	-	90	122	85	11	15	16,8	14,3	28	36,5	29	Type B	0,20	
30	UCFLN 206	<b>633593</b>	-	117	149	85	11	15	20	15,9	32,5	42,2	34	Type B	0,29	
30*	SUCFLN 206	<b>633603</b>	-	90	122	85	11	15	15	15,9	28	37,2	45	Type B	0,29	
<b>Grub screws shaft locking • Version with stainless steel bearing Type C</b>																
20*	SUCFLN 204	<b>633613</b>	<b>633893</b>	76,5	100	70	11	11	15,2	12,7	25,5	33,5	24	Type C	0,15	
25*	SUCFLN 205	<b>633623</b>	<b>633903</b>	90	122	85	11	15	16,8	14,3	28	36,6	29	Type C	0,20	
30	UCFLN 206	<b>633633</b>	<b>633913</b>	117	149	85	11	15	20	15,9	32,5	42,2	34	Type C	0,29	
30*	SUCFLN 206	<b>633643</b>	<b>633923</b>	90	122	85	11	15	15	15,9	28	37,2	45	Type C	0,29	
<b>Grub screws shaft locking • Version with bearing Type A</b>																
17	UCFLN 203	<b>633653</b>	<b>633933</b>	76,5	100	70	11	11	17,5	-	25,5	33,5	21	Type A	0,13	
20*	SUCFLN 204	<b>633663</b>	<b>633943</b>	76,5	100	70	11	11	15,2	-	25,5	33,2	24	Type A	0,15	
25*	SUCFLN 205	<b>633673</b>	<b>633953</b>	90	122	85	11	15	16,8	-	28	36,3	29	Type A	0,20	
30	UCFLN 206	<b>633683</b>	<b>633963</b>	117	149	85	11	15	20	-	32,5	42	34	Type A	0,29	
30*	SUCFLN 206	<b>633693</b>	<b>633973</b>	90	122	85	11	15	15	-	28	37	34	Type A	0,29	
<b>Eccentric collar shaft locking • Version with bearing Type D</b>																
17	HCFLN 203	<b>633703</b>	<b>633983</b>	76,5	100	70	11	11	17,5	-	25,5	39,6	21	Type D	0,16	
20*	SHCFLN 204	<b>633713</b>	<b>633993</b>	76,5	100	70	11	11	15,2	-	25,5	38,6	24	Type D	0,18	
25*	SHCFLN 205	<b>633723</b>	<b>634003</b>	90	122	85	11	15	16,8	-	28	40,2	29	Type D	0,25	
30	HCFLN 206	<b>633733</b>	<b>634013</b>	117	149	85	11	15	20	-	32,5	46,7	34	Type D	0,34	
30*	SHCFLN 206	<b>633743</b>	<b>634023</b>	90	122	85	11	15	15	-	28	41,7	34	Type D	0,34	

**Item code for order = B0000 + Code**

\* = Version with special fixing holes.

Packaging: 6 pieces.

**Best Seller**

**Standard**

**On request**

# Oval flange bearing units

UCFL/C - SUCFL/C - HCFL/C - SHCFL/C



## Waterproof housing

### Grub screws or eccentric collar shaft locking

#### PA FV polyamide housing

High mechanical and heat resistance. Proof to dust, humidity, washouts, steam, average aggressive chemical agents.

#### PP FV polypropylene housing

Proof to highly aggressive chemical agents. Inferior loading ability.

#### Solid flange bearings

They differ from standard flange versions for their closed surface structure, ideal for sanitation.

## Material

### PA FV polyamide housing

- Housing in reinforced polyamide PA FV resin (black)
- Protection cover in polypropylene PP (orange)
- Seal and O-Ring in NBR rubber (black)
- Ball type nickel plated brass greasing nipple
- Reinforcing bushings on mounting holes and washers in stainless steel AISI 304

### PP FV polypropylene housing

- Housing in reinforced polypropylene PP FV resin (white)
- Protection cover in polypropylene PP (orange)
- Seal and O-Ring in NBR rubber (black).  
On request supplied in Viton rubber (brown).  
Viton material offers high resistance to chemical agents
- Ball type stainless steel AISI 316 greasing nipple
- Reinforcing bushings on mounting holes and washers in stainless steel AISI 316.

## Continuous operating temperature

in air: - 20 to + 60°C.

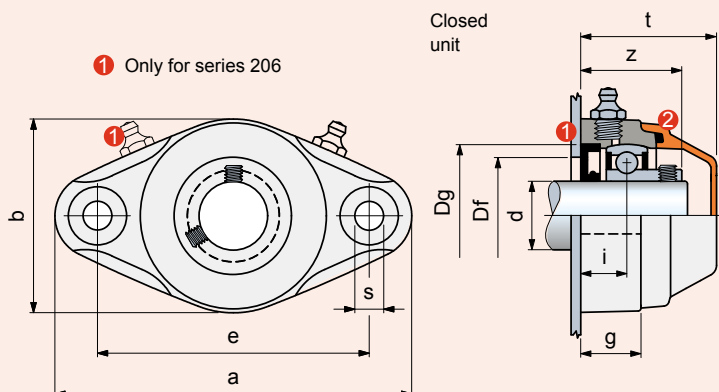
## Maximum allowed misalignment: 2°.

## Bearing

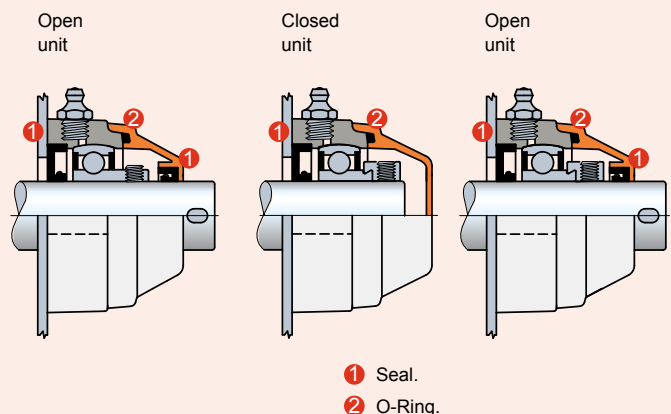


- Type A (grub screws shaft locking)
- Type D (eccentric collar shaft locking)
- Chrome alloy steel
- Superagriseal unit
- Prelubricated with lithium / calcium grease
- Can be relubricated.

### • Series UCFL/C • Type A Grub screws shaft locking



### • Series HCFL/C • Type D Eccentric collar shaft locking



# UCFL/C - SUCFL/C - HCFL/C - SHCFL/C

dia. d mm	Series	Housing material		Dimensions in mm										Bore in frame <sup>2)</sup> Df		Bearing	Weight Kg	Spare parts Cover orange <b>Code</b>
		Polyamide PA FV Standard Flange (black) Cover (orange)	Polypropylene PP FV Solid Flange (white) Cover (orange)	e	a	b	s	g	i	z	t	Dg	max.	min.				
		<b>Code</b>	<b>Code</b>															
<b>Grub screws shaft locking • Closed unit</b>																		
17*	SUCFL 203 C	<b>603763</b>	<b>603803</b>	90	116	62	11	20	15,2	31,2	46	40	38	33	Type A	0,22	681942	
20	UCFL 204 C	<b>69016</b>	<b>679652</b>	90	116	62	11	20	15,2	33,2	46	47	45	40	Type A	0,25	681942	
25	UCFL 205 C	<b>68523</b>	<b>679662</b>	99	130	71	11	22,5	16,8	36,3	49,5	52	50	45	Type A	0,33	681952	
25*	SUCFL 205 C	<b>687562<sup>1)</sup></b>	<b>687722</b>	90	130	71	11	22,5	16,8	36,3	49,5	52	50	45	Type A	0,33	681952	
30	UCFL 206 C	<b>68399</b>	<b>679672</b>	117	148	85	11	26	20	42	56	62	60	50	Type A	0,42	63154	
30*	SUCFL 206 C	<b>687572<sup>1)</sup></b>	<b>687732</b>	99	148	85	11	26	20	42	56	62	60	50	Type A	0,42	63154	
35	UCFL 207 C	<b>648131</b>	<b>679682</b>	130	162	93	11	26	19,5	43	59	72	70	55	Type A	0,65	682022	
35*	SUCFL 207 C	<b>697702<sup>1)</sup></b>	<b>697862</b>	117	148	112	11	26	19,5	43	62	72	70	55	Type A	0,70	63539	
40	UCFL 208 C	<b>672411</b>	<b>679692</b>	144	176	102	11	30	22	47	65,5	80	78	65	Type A	0,90	63539	
40*	SUCFL 208 C	<b>697712<sup>1)</sup></b>	<b>697872</b>	117	148	112	11	26	19	44	62	80	78	65	Type A	0,74	63539	
<b>Grub screws shaft locking • Open unit</b>																		
17*	SUCFL 203 C	<b>603813</b>	<b>603853</b>	90	116	62	11	20	15,2	31,2	46	40	38	33	Type A	0,22	696162	
20	UCFL 204 C	<b>69026</b>	<b>679702</b>	90	116	62	11	20	15,2	33,2	46	47	45	40	Type A	0,25	681962	
25	UCFL 205 C	<b>68533</b>	<b>679712</b>	99	130	71	11	22,5	16,8	36,3	49,5	52	50	45	Type A	0,33	681972	
25*	SUCFL 205 C	<b>687582<sup>1)</sup></b>	<b>687742</b>	90	130	71	11	22,5	16,8	36,3	49,5	52	50	45	Type A	0,33	681972	
30	UCFL 206 C	<b>68409</b>	<b>679722</b>	117	148	85	11	26	20	42	56	62	60	50	Type A	0,42	69965	
30*	SUCFL 206 C	<b>687592<sup>1)</sup></b>	<b>687752</b>	99	148	85	11	26	20	42	56	62	60	50	Type A	0,42	69965	
35	UCFL 207 C	<b>648141</b>	<b>679732</b>	130	162	93	11	26	19,5	43	59	72	70	55	Type A	0,65	682032	
35*	SUCFL 207 C	<b>697722<sup>1)</sup></b>	<b>697882</b>	117	148	112	11	26	19,5	43	62	72	70	55	Type A	0,70	615692	
40	UCFL 208 C	<b>672421</b>	<b>679742</b>	144	176	102	11	30	22	47	65,5	80	78	65	Type A	0,90	63549	
40*	SUCFL 208 C	<b>697732<sup>1)</sup></b>	<b>697892</b>	117	148	112	11	26	19	44	62	80	78	65	Type A	0,74	63549	
<b>Eccentric collar shaft locking • Closed unit</b>																		
17*	SHCFL 203 C	<b>603863</b>	<b>603903</b>	90	116	62	11	20	15,2	37,3	49	40	38	33	Type D	0,27	681942	
20	HCFL 204 C	<b>679052</b>	<b>679752</b>	90	116	62	11	20	15,2	38,6	49	47	45	40	Type D	0,30	681942	
25	HCFL 205 C	<b>679062</b>	<b>679762</b>	99	130	71	11	22,5	16,8	40,2	49,5	52	50	45	Type D	0,37	681952	
25*	SHCFL 205 C	<b>687602<sup>1)</sup></b>	<b>687762</b>	90	130	71	11	22,5	16,8	40,2	49,5	52	50	45	Type D	0,37	681952	
30	HCFL 206 C	<b>679072</b>	<b>679772</b>	117	148	85	11	26	20	46,7	56	62	60	50	Type D	0,49	63154	
30*	SHCFL 206 C	<b>687612<sup>1)</sup></b>	<b>687772</b>	99	148	85	11	26	20	46,7	56	62	60	50	Type D	0,49	63154	
35	HCFL 207 C	<b>679082</b>	<b>679782</b>	130	162	93	11	26	19,5	48,9	59	72	70	55	Type D	0,83	682022	
35*	SHCFL 207 C	<b>697742<sup>1)</sup></b>	<b>697902</b>	117	148	112	11	26	19,5	48,9	62	72	70	55	Type D	0,88	63539	
40	HCLF 208 C	<b>679092</b>	<b>679792</b>	144	176	102	11	30	22	54,7	71	80	78	65	Type D	1,09	600882	
40*	SHCFL 208 C	<b>697752<sup>1)</sup></b>	<b>697912</b>	117	148	112	11	26	19	51,7	68	80	78	65	Type D	0,93	600882	
<b>Eccentric collar shaft locking • Open unit</b>																		
17*	SHCFL 203 C	<b>603913</b>	<b>603953</b>	90	116	62	11	20	15,2	37,3	49	40	38	33	Type D	0,27	696162	
20	HCFL 204 C	<b>679102</b>	<b>679802</b>	90	116	62	11	20	15,2	38,6	49	47	45	40	Type D	0,30	681962	
25	HCFL 205 C	<b>679112</b>	<b>679812</b>	99	130	71	11	22,5	16,8	40,2	49,5	52	50	45	Type D	0,37	681972	
25*	SHCFL 205 C	<b>687622<sup>1)</sup></b>	<b>687782</b>	90	130	71	11	22,5	16,8	40,2	49,5	52	50	45	Type D	0,37	681972	
30	HCFL 206 C	<b>679122</b>	<b>679822</b>	117	148	85	11	26	20	46,7	56	62	60	50	Type D	0,49	69965	
30*	SHCFL 206 C	<b>687632<sup>1)</sup></b>	<b>687792</b>	99	148	85	11	26	20	46,7	56	62	60	50	Type D	0,49	69965	
35	HCFL 207 C	<b>679132</b>	<b>679832</b>	130	162	93	11	26	19,5	48,9	59	72	70	55	Type D	0,83	682032	
35*	SHCFL 207 C	<b>697762<sup>1)</sup></b>	<b>697922</b>	117	148	112	11	26	19,5	48,9	62	72	70	55	Type D	0,88	615692	
40	HCFL 208 C	<b>679142</b>	<b>679842</b>	144	176	102	11	30	22	54,7	71	80	78	65	Type D	1,09	600892	
40*	SHCFL 208 C	<b>697772</b>	<b>697932</b>	117	148	112	11	26	19	51,7	68	80	78	65	Type D	0,93	600892	

### Item code for order = B0000 + Code

\* = Version with special fixing holes.

SUCFL206C/SHCFL206C: Assembly with cylindrical head screws.

<sup>1)</sup> = Solid flange.

<sup>2)</sup> = Dimensions Df max / Df min must be respected to ensure positive retention of the seals and to allow air bleeding during lubrication.

Packaging: 6 pieces.

**Best Seller**

**Standard**

**On request**

# Oval flange bearing units

UCFL/CL - SUCFL/CL - HCFL/CL - SHCFL/CL

**LIFE LUBRICATED**



**Dry use recommended**



## Life lubricated

The ball-bearings are pre-lubricated with a special grease keeping the bearing for its whole life. No need for re-lubrication (see page B78 to calculate the grease life)

## Grub screws or eccentric collar shaft locking

## PA FV polyamide housing

High mechanical and heat resistance. Proof to dust, humidity, washouts, steam, average aggressive chemical agents.

## Solid flange bearings

They differ from standard flange versions for their closed surface structure, ideal for sanification.

### Material

#### PA FV polyamide housing

- Housing in reinforced polyamide PA FV resin (black)
- Protection cover in polypropylene PP (orange)
- Seal and O-Ring in NBR rubber (black)
- Reinforcing bushings on mounting holes and washers in stainless steel AISI 304.

### Continuous operating temperature

in air: - 20 to + 60°C.

### Maximum allowed misalignment: 2°.

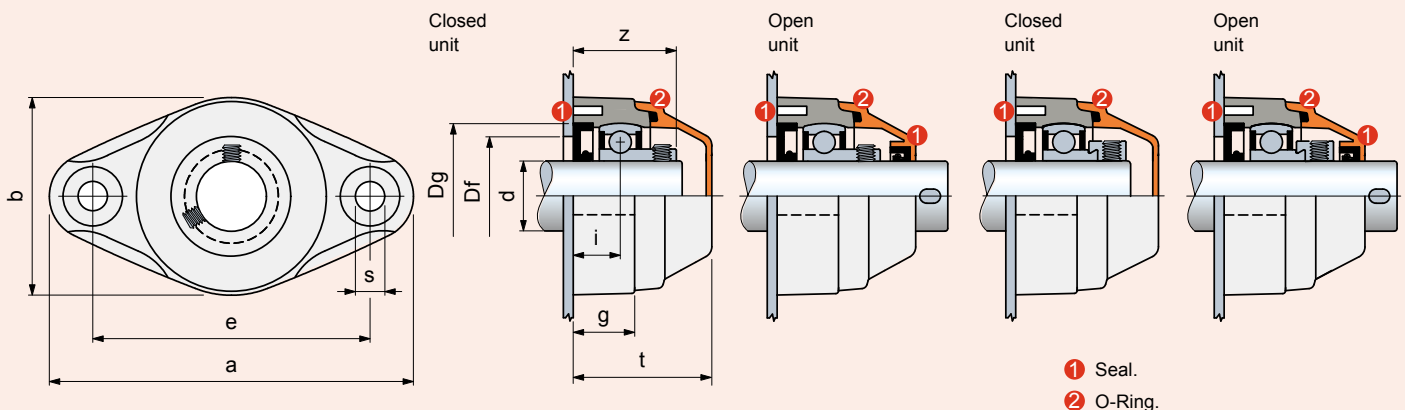
### Bearing



- Type A (grub screws shaft locking)
- Type D (eccentric collar shaft locking)
- Chrome alloy steel
- Superagriseal unit
- Prelubricated with lithium / calcium grease, no need for re-lubrication.

### • Series UCFL/CL • Type A Grub screws shaft locking

### • Series HCFL/CL • Type D Eccentric collar shaft locking



# UCFL/CL - SUCFL/CL - HCFL/CL - SHCFL/CL

dia. d mm	Series	Housing material		Dimensions in mm										Bore in frame Df		Bearing	Weight Kg	Spare parts Cover orange
		Polyamide PA FV Standard Flange (black) Cover (orange)	Code	e	a	b	s	g	i	z	t	Dg	max.	min.	Code			
<b>Grub screws shaft locking • Closed unit</b>																		
20	UCFL 204 CL	69016L	90	116	62	11	20	15,2	33,2	46	47	45	40	Type A	0,25	681942		
25	UCFL 205 CL	68523L	99	130	71	11	22,5	16,8	36,3	49,5	52	50	45	Type A	0,33	681952		
25*	SUCFL 205 CL	687562L <sup>1)</sup>	90	130	71	11	22,5	16,8	36,3	49,5	52	50	45	Type A	0,33	681952		
30	UCFL 206 CL	68399L	117	148	85	11	26	20	42	56	62	60	50	Type A	0,42	63154		
30*	SUCFL 206 CL	687572L <sup>1)</sup>	99	148	85	11	26	20	42	56	62	60	50	Type A	0,42	63154		
35	UCFL 207 CL	648131L	130	162	93	11	26	19,5	43	59	72	70	55	Type A	0,65	682022		
35*	SUCFL 207 CL	697702L <sup>1)</sup>	117	148	112	11	26	19,5	43	62	72	70	55	Type A	0,70	63539		
40	UCFL 208 CL	672411L	144	176	102	11	30	22	47	65,5	80	78	65	Type A	0,90	63539		
40*	SUCFL 208 CL	697712L <sup>1)</sup>	117	148	112	11	26	19	44	62	80	78	65	Type A	0,74	63539		
<b>Grub screws shaft locking • Open unit</b>																		
20	UCFL 204 CL	69026L	90	116	62	11	20	15,2	33,2	46	47	45	40	Type A	0,25	681962		
25	UCFL 205 CL	68533L	99	130	71	11	22,5	16,8	36,3	49,5	52	50	45	Type A	0,33	681972		
25*	SUCFL 205 CL	687582L <sup>1)</sup>	90	130	71	11	22,5	16,8	36,3	49,5	52	50	45	Type A	0,33	681972		
30	UCFL 206 CL	68409L	117	148	85	11	26	20	42	56	62	60	50	Type A	0,42	69965		
30*	SUCFL 206 CL	687592L <sup>1)</sup>	99	148	85	11	26	20	42	56	62	60	50	Type A	0,42	69965		
35	UCFL 207 CL	648141L	130	162	93	11	26	19,5	43	59	72	70	55	Type A	0,65	682032		
35*	SUCFL 207 CL	697722L <sup>1)</sup>	117	148	112	11	26	19,5	43	62	72	70	55	Type A	0,70	615692		
40	UCFL 208 CL	672421L	144	176	102	11	30	22	47	65,5	80	78	65	Type A	0,90	63549		
40*	SUCFL 208 CL	697732L <sup>1)</sup>	117	148	112	11	26	19	44	62	80	78	65	Type A	0,74	63549		
<b>Eccentric collar shaft locking • Closed unit</b>																		
20	HCFL 204 CL	679052L	90	116	62	11	20	15,2	38,6	49	47	45	40	Type D	0,30	681942		
25	HCFL 205 CL	679062L	99	130	71	11	22,5	16,8	40,2	49,5	52	50	45	Type D	0,37	681952		
25*	SHCFL 205 CL	687602L <sup>1)</sup>	90	130	71	11	22,5	16,8	40,2	49,5	52	50	45	Type D	0,37	681952		
30	HCFL 206 CL	679072L	117	148	85	11	26	20	46,7	56	62	60	50	Type D	0,49	63154		
30*	SHCFL 206 CL	687612L <sup>1)</sup>	99	148	85	11	26	20	46,7	56	62	60	50	Type D	0,49	63154		
35	HCFL 207 CL	679082L	130	162	93	11	26	19,5	48,9	59	72	70	55	Type D	0,83	682022		
35*	SHCFL 207 CL	697742L <sup>1)</sup>	117	148	112	11	26	19,5	48,9	62	72	70	55	Type D	0,88	63539		
40	HCFL 208 CL	679092L	144	176	102	11	30	22	54,7	71	80	78	65	Type D	1,09	600882		
40*	SHCFL 208 CL	697752L <sup>1)</sup>	117	148	112	11	26	19	51,7	68	80	78	65	Type D	0,93	600882		
<b>Eccentric collar shaft locking • Open unit</b>																		
20	HCFL 204 CL	679102L	90	116	62	11	20	15,2	38,6	49	47	45	40	Type D	0,30	681962		
25	HCFL 205 CL	679112L	99	130	71	11	22,5	16,8	40,2	49,5	52	50	45	Type D	0,37	681972		
25*	SHCFL 205 CL	687622L <sup>1)</sup>	90	130	71	11	22,5	16,8	40,2	49,5	52	50	45	Type D	0,37	681972		
30	HCFL 206 CL	679122L	117	148	85	11	26	20	46,7	56	62	60	50	Type D	0,49	69965		
30*	SHCFL 206 CL	687632L <sup>1)</sup>	99	148	85	11	26	20	46,7	56	62	60	50	Type D	0,49	69965		
35	HCFL 207 CL	679132L	130	162	93	11	26	19,5	48,9	59	72	70	55	Type D	0,83	682032		
35*	SHCFL 207 CL	697762L <sup>1)</sup>	117	148	112	11	26	19,5	48,9	62	72	70	55	Type D	0,88	615692		
40	HCFL 208 CL	679142L	144	176	102	11	30	22	54,7	71	80	78	65	Type D	1,09	600892		
40*	SHCFL 208 CL	697772L <sup>1)</sup>	117	148	112	11	26	19	51,7	68	80	78	65	Type D	0,93	600892		

Item code for order = B0000 + Code

\* = Version with special fixing holes.

SUCFL206CL/SHCFL206CL: Assembly with cylindrical head screws.

<sup>1)</sup> = Solid flange.

Packaging: 6 pieces.

Best Seller

Standard

On request

# Oval flange bearing units

## UCFL - SUCFL - HCFL - SHCFL



Accessories

**Material**

**PA FV polyamide housing**

- Housing in reinforced polyamide PA FV resin (black)
- Ball type nickel plated brass greasing nipple
- Reinforcing bushings on mounting holes and washers in stainless steel AISI 304.

**PP FV polypropylene housing**

- Housing in reinforced polypropylene PP FV resin (white)
- Bearing in stainless steel AISI 420
- Ball type stainless steel AISI 316 greasing nipple
- Reinforcing bushings on mounting holes and washers in stainless steel AISI 316.

**Continuous operating temperature**

in air: - 20 to + 60°C.

**Maximum allowed misalignment: 2°.**

**Bearing**

- Type B (grub screws shaft locking, chrome alloy steel, Superagriseal unit plus centrifuging ring)
- Type C (grub screws shaft locking, stainless steel AISI 420, Superagriseal unit plus rubberised centrifuging ring)
- Type A (grub screws shaft locking, chrome alloy steel, Superagriseal unit)
- Type D (eccentric collar shaft locking, chrome alloy steel, Superagriseal unit)
- Prelubricated with lithium / calcium grease
- Can be relubricated.

**Grub screws or eccentric collar shaft locking**

**Version with bearing Type B**

The double ring guarantees maximum protection against dust and non-corrosive substances.

**Version with stainless steel bearing Type C**

AISI 420 stainless steel bearing with 2 rubberised rings, provides excellent seal against humidity, steams, liquids, medium corrosive chemical agents. Maximum load ability is inferior.

**Version with bearing Type A**

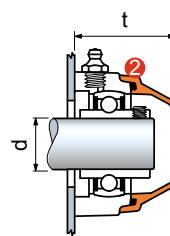
The rubberised ring guarantees maximum protection against dusts.

**Material**

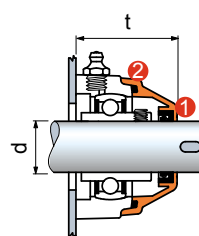
Polyamide PA FV guarantees maximum strength and high-temperature resistance. Polypropylene PP FV offers excellent resistance to chemical agents but inferior load ability.

**Protection covers (accessories)**

**Closed cover**



**Open cover**



- 1 Seals.
- 2 Seals O-Ring.

dia. d mm	Accessories	t mm	
	Cover orange <b>Code</b>	UCFL	HCFL
<b>Closed cover supplied with seals</b>			
17*	681942	46	49
20	681942	46	49
25	681952	49,5	49,5
25*	681952	49,5	49,5
30	63154	55	55
30*	63154	55	55
35	682022	59	59
35*	63539	62	62
40 <sup>1)</sup>	63539	65,5	-
40 <sup>2)</sup>	600882	-	71
<b>Open cover supplied with seals</b>			
17*	696162	46	49
20	681962	46	49
25	681972	49,5	49,5
25*	681972	49,5	49,5
30	69965	55	55
30*	69965	55	55
35	682032	59	59
35*	615692	62	62
40 <sup>1)</sup>	63549	65,5	-
40 <sup>2)</sup>	600892	-	71

\* = Version with special fixing holes.

<sup>1)</sup> = Protection cover for bearing unit with grub screws shaft locking.

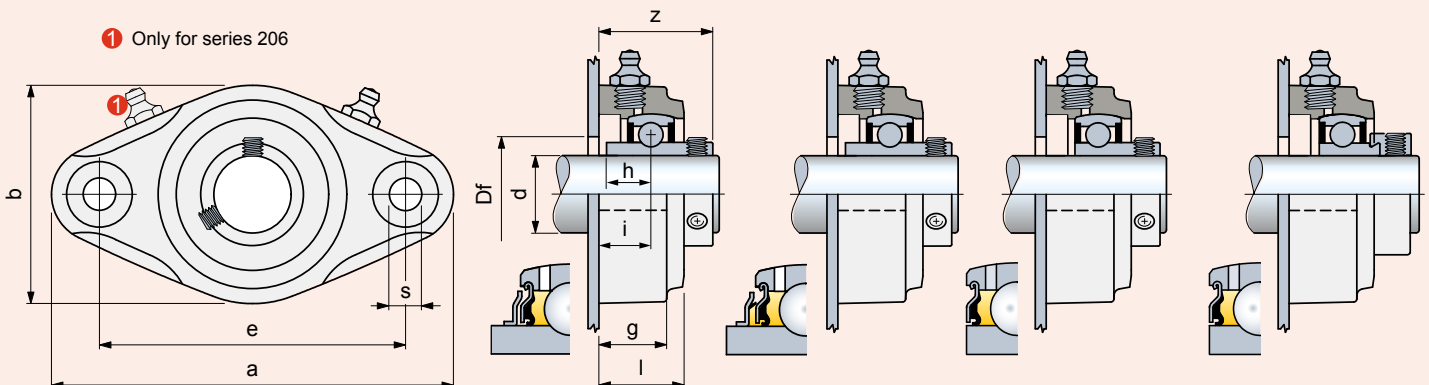
<sup>2)</sup> = Protection cover for bearing unit with eccentric collar shaft locking.

• Series UCFL • Type B  
Grub screws shaft locking

• Series UCFL • Type C  
Grub screws shaft locking

• Series UCFL • Type A  
Grub screws shaft locking

• Series HCFL • Type D  
Eccentric collar shaft locking



# UCFL - SUCFL - HCFL - SHCFL

dia. d mm	Series	Housing material		Dimensions in mm									Bore in frame Df mm	Bearing	Weight Kg
		Polyamide PA FV	Polypropylene PP FV	e	a	b	s	g	i	h	l	z			
		Standard Flange (black)	Solid Flange (white)												
<b>Grub screws shaft locking • Version with bearing Type B</b>															
17*	SUCFL 203	640982	-	90	116	62	11	20	15,2	11,5	25,5	31,1	21	Type B	0,23
20	UCFL 204	69056	-	90	116	62	11	20	15,2	12,7	25	33,5	24	Type B	0,25
25	UCFL 205	68563	-	99	130	71	11	22,5	16,8	14,3	27,5	36,5	29	Type B	0,31
25*	SUCFL 205	687922 <sup>1)</sup>	-	90	130	71	11	22,5	16,8	14,3	27,5	36,5	29	Type B	0,31
30	UCFL 206	68439	-	117	148	85	11	26	19	15,9	32,5	42,2	34	Type B	0,44
30*	SUCFL 206	687932 <sup>1)</sup>	-	99	148	85	11	26	19	15,9	32,5	42,2	34	Type B	0,44
35	UCFL 207	648171	-	130	162	93	11	26	19,5	17,5	32	44,9	39	Type B	0,67
35*	SUCFL 207	602303 <sup>1)</sup>	-	117	148	112	11	26	19,5	17,5	33	44,9	39	Type B	0,68
40	UCFL 208	672451	-	144	176	102	11	30	22	19	36	52,2	44	Type B	0,90
40*	SUCFL 208	602313 <sup>1)</sup>	-	117	148	112	11	26	19	19	33	49,2	44	Type B	0,72
<b>Grub screws shaft locking • Version with stainless steel bearing Type C</b>															
20	UCFL 204	646542	680302	90	116	62	11	20	15,2	12,7	25	33,5	24	Type C	0,25
25	UCFL 205	646552	680312	99	130	71	11	22,5	16,8	14,3	27,5	36,6	29	Type C	0,31
25*	SUCFL 205	687942 <sup>1)</sup>	687982	90	130	71	11	22,5	16,8	14,3	27,5	36,6	29	Type C	0,31
30	UCFL 206	646562	680322	117	148	85	11	26	19	15,9	32,5	42,2	34	Type C	0,44
30*	SUCFL 206	687952 <sup>1)</sup>	687992	99	148	85	11	26	19	15,9	32,5	42,2	34	Type C	0,44
35	UCFL 207	646572	680332	130	162	93	11	26	19,5	17,5	32	44,9	39	Type C	0,67
35*	SUCFL 207	602323 <sup>1)</sup>	697962	117	148	112	11	26	19,5	17,5	33	44,9	39	Type C	0,68
40	UCFL 208	646582	680342	144	176	102	11	30	22	19	36	52,2	44	Type C	0,90
40*	SUCFL 208	602333 <sup>1)</sup>	697972	117	148	112	11	26	19	19	33	49,2	44	Type C	0,72
<b>Grub screws shaft locking • Version with bearing Type A</b>															
17*	SUCFL 203	603963	604003	90	116	62	11	20	15,2	-	25,5	31,2	21	Type A	0,21
20	UCFL 204	655482	680152	90	116	62	11	20	15,2	-	25	33,2	24	Type A	0,23
25	UCFL 205	655472	680162	99	130	71	11	22,5	16,8	-	27,5	36,3	29	Type A	0,31
25*	SUCFL 205	687802 <sup>1)</sup>	687882	90	130	71	11	22,5	16,8	-	27,5	36,3	29	Type A	0,31
30	UCFL 206	666412	680172	117	148	85	11	26	20	-	32,5	42	34	Type A	0,39
30*	SUCFL 206	687812 <sup>1)</sup>	687892	99	148	85	11	26	20	-	32,5	42	34	Type A	0,39
35	UCFL 207	666422	680182	130	162	93	11	26	19,5	-	32	43	39	Type A	0,62
35*	SUCFL 207	602183 <sup>1)</sup>	602263	117	148	112	11	26	19,5	-	33	43	39	Type A	0,86
40	UCFL 208	666432	680192	144	176	102	11	30	22	-	36	47	44	Type A	0,86
40*	SUCFL 208	602193 <sup>1)</sup>	602273	117	148	112	11	26	19	-	33	44	44	Type A	0,91
<b>Eccentric collar shaft locking • Version with bearing Type D</b>															
17*	SHCFL 203	604013	604053	90	116	62	11	20	15,2	-	25,5	37,3	21	Type D	0,26
20	HCFL 204	679852	680202	90	116	62	11	20	15,2	-	25	38,6	24	Type D	0,28
25	HCFL 205	679862	680212	99	130	71	11	22,5	16,8	-	27,5	40,2	29	Type D	0,35
25*	SHCFL 205	687822 <sup>1)</sup>	687902	90	130	71	11	22,5	16,8	-	27,5	40,2	29	Type D	0,35
30	HCFL 206	679872	680222	117	148	85	11	26	20	-	32,5	46,7	34	Type D	0,46
30*	SHCFL 206	687832 <sup>1)</sup>	687912	99	148	85	11	26	20	-	32,5	46,7	34	Type D	0,46
35	HCFL 207	679882	680232	130	162	93	11	26	19,5	-	32	48,9	39	Type D	0,79
35*	SHCFL 207	602203 <sup>1)</sup>	602283	117	148	112	11	26	19,5	-	33	48,9	39	Type D	0,86
40	HCFL 208	679892	680242	144	176	102	11	30	22	-	36	54,7	44	Type D	1,05
40*	SHCFL 208	602213 <sup>1)</sup>	602293	117	148	112	11	26	19	-	33	51,7	44	Type D	0,91

Item code for order = B0000 + Code

\* = Version with special fixing holes.

SUCFL/SHCFL: Assembly with cylindrical head screws.

<sup>1)</sup> = Solid flange.

Packaging: 6 pieces.

Best Seller

Standard

On request



# Oval flange bearing units

UCFLS/C - SUCFLS/C - HCFLS/C - SHCFLS/C



Austenitic stainless steel surface

Waterproof housing

Grub screws or eccentric collar shaft locking

Solid flange

Patent pending design with perfect seal: rubber makes one-body with steel and engineering plastic bearing seat.

## Material

- Housing in reinforced polyamide PA FV resin (black)
- Austenitic stainless steel surface
- Sealing in NBR rubber (black)
- Protection cover in polypropylene PP (orange)
- Seal and O-Ring in NBR rubber (black)
- Ball type nickel plated brass greasing nipple.

## Continuous operating temperature

in air: - 20 to + 60°C.

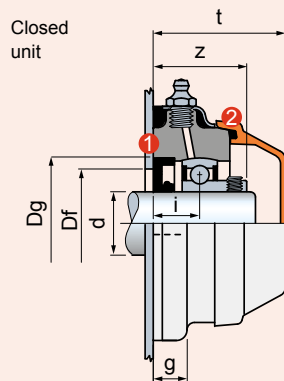
## Maximum allowed misalignment: 2°.

## Bearing

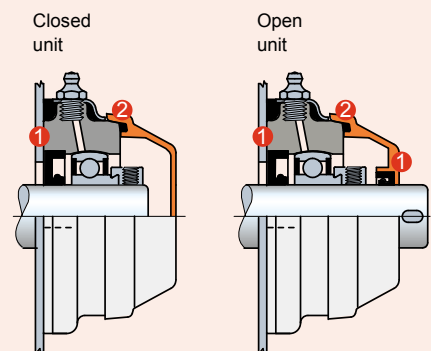


- Type A (grub screws shaft locking)
- Type D (eccentric collar shaft locking)
- Chrome alloy steel
- Supergriseal unit
- Prelubricated with lithium / calcium grease
- Can be relubricated.

### • Series UCFLS/C • Type A Grub screws shaft locking



### • Series HCFLS/C • Type D Eccentric collar shaft locking



- 1 Seal.
- 2 O-Ring.

# UCFLS/C - SUCFLS/C - HCFLS/C - SHCFLS/C

dia. d mm	Series	Housing material	Dimensions in mm										Bore in frame <sup>1)</sup> Df		Bearing	Weight Kg	Spare parts Cover orange
		Polyamide PA FV with austenitic stainless steel surface Solid Flange Cover (orange)	e	a	b	s	g	i	z	t	Dg	max.	min.	Code			
<b>Grub screws shaft locking • Closed unit</b>																	
30	UCFLS 206 C	<b>670792</b>	117	145	112	10,5	15,5	22	44	65,8	62	60	50	Type A	0,65	63539	
35*	SUCFLS 207 C	<b>670802</b>	117	145	112	10,5	15,5	22	45,5	65,8	72	70	55	Type A	0,76	63539	
40*	SUCFLS 208 C	<b>670812</b>	117	145	112	10,5	15,5	22	47	65,8	80	78	65	Type A	0,86	63539	
<b>Grub screws shaft locking • Open unit</b>																	
30	UCFLS 206 C	<b>670822</b>	117	145	112	10,5	15,5	22	44	65,8	62	60	50	Type A	0,65	615682	
35*	SUCFLS 207 C	<b>670832</b>	117	145	112	10,5	15,5	22	45,5	65,8	72	70	55	Type A	0,76	615692	
40*	SUCFLS 208 C	<b>670842</b>	117	145	112	10,5	15,5	22	47	65,8	80	78	65	Type A	0,86	63549	
<b>Eccentric collar shaft locking • Closed unit</b>																	
30	HCFLS 206 C	<b>670852</b>	117	145	112	10,5	15,5	22	48,7	65,8	62	60	50	Type D	0,72	63539	
35*	SHCFLS 207 C	<b>670862</b>	117	145	112	10,5	15,5	22	51,4	65,8	72	70	55	Type D	0,82	63539	
40*	SHCFLS 208 C	<b>670872</b>	117	145	112	10,5	15,5	19	51,7	65,8	80	78	65	Type D	0,92	63539	
<b>Eccentric collar shaft locking • Open unit</b>																	
30	HCFLS 206 C	<b>670882</b>	117	145	112	10,5	15,5	22	48,7	65,8	62	60	50	Type D	0,72	615682	
35*	SHCFLS 207 C	<b>670892</b>	117	145	112	10,5	15,5	22	51,4	65,8	72	70	55	Type D	0,82	615692	
40*	SHCFLS 208 C	<b>670902</b>	117	145	112	10,5	15,5	19	51,7	65,8	80	78	65	Type D	0,92	63549	

**Item code for order = B0000 + Code**

\* = Version with special fixing holes.

<sup>1)</sup> = Dimensions Df max / Df min must be respected to ensure positive retention of the seals and to allow air bleeding during lubrication.

Packaging: 6 pieces.

# Oval flange bearing units

**FL**



**Waterproof housing**

**Shaft shoulders locking**

High axial load capacity.

**PA FV polyamide housing**

High mechanical and heat resistance. Proof to dust, humidity, washouts, steam, average aggressive chemical agents.

**PP FV polypropylene housing**

Proof to highly aggressive chemical agents. Inferior loading ability.

**Material**

**PA FV polyamide housing**

- Housing in reinforced polyamide PA FV resin (black)
- Seal and O-Ring in NBR rubber (black)
- Ball type nickel plated brass greasing nipple
- Reinforcing bushings on mounting holes and washers in stainless steel AISI 304.

**PP FV polypropylene housing**

- Housing in reinforced polypropylene PP FV resin (black)
- Seal and O-Ring in NBR rubber (black).
- On request supplied in Viton rubber (brown).  
Viton material offers high resistance to chemical agents.
- Ball type stainless steel AISI 316 greasing nipple
- Reinforcing bushings on mounting holes and washers in stainless steel AISI 316.

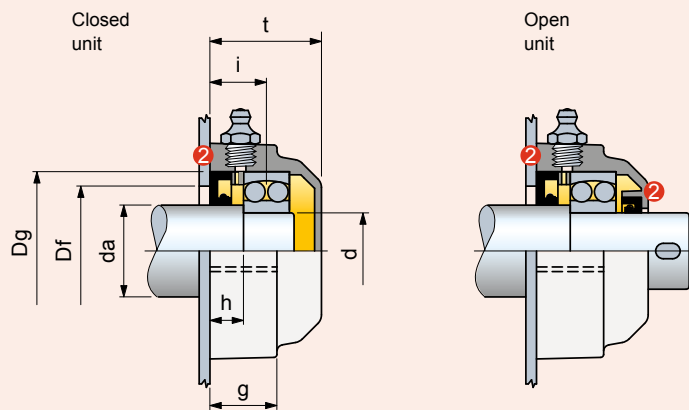
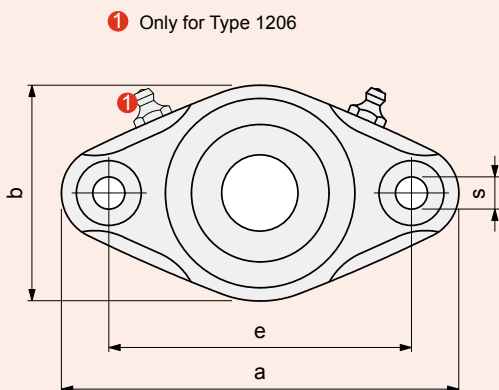
**Continuous operating temperature**

in air: - 20 to + 60°C.

**Maximum allowed misalignment: 2°.**

**Bearing**

- Type 1200 self aligning ball bearing
- Chrome alloy steel
- Supplied without grease
- To be prelubricated with lithium / calcium grease during first installation.



2 Seal.

Shaft dia. da mm	Bearing dia. d mm	Series	Housing material		Dimensions in mm										Bore in frame <sup>1)</sup> Df		Bearing	Weight Kg
			Polyamide PA FV Standard Flange (black)	Polypropylene PP FV Standard Flange (black)	e	a	b	s	g	i	h	t	Dg	max.	min.			
			Code															
<b>Closed unit</b>																		
25	20	FL 1204	68976	680352	90	116	62	11	20	18	11	35,5	47	45	40	Type 1200	0,25	
30	25	FL 1205	68483	680362	99	130	71	11	22,5	18,5	11	36,5	52	50	47	Type 1200	0,29	
35	30	FL 1206	68339	680372	117	148	85	11	26	19	11	40	62	60	52	Type 1200	0,39	
40	35	FL 1207	648091	680382	130	162	93	11	26	19,5	11	40	72	70	60	Type 1200	0,55	
45	40	FL 1208	672371	680392	144	176	102	11	30	25	16	45	80	78	65	Type 1200	0,71	
<b>Open unit</b>																		
25	20	FL 1204	68986	680402	90	116	62	11	20	18	11	35,5	47	45	40	Type 1200	0,25	
30	25	FL 1205	68493	680412	99	130	71	11	22,5	18,5	11	36,5	52	50	47	Type 1200	0,29	
35	30	FL 1206	68349	680422	117	148	85	11	26	19	11	40	62	60	52	Type 1200	0,39	
40	35	FL 1207	648101	680432	130	162	93	11	26	19,5	11	40	72	70	60	Type 1200	0,55	
45	40	FL 1208	672381	680442	144	176	102	11	30	25	16	45	80	78	65	Type 1200	0,71	

**Item code for order = B0000 + Code**

<sup>1)</sup> = Dimensions Df max / Df min must be respected to ensure positive retention of the seals and to allow air bleeding during lubrication.

Packaging: 6 pieces.

# Pillow block type bearing units

## UCP/C - HCP/C



### Waterproof housing

### Grub screws or eccentric collar shaft locking

### PA FV polyamide housing

High mechanical and heat resistance. Proof to dust, humidity, washouts, steam, average aggressive chemical agents.

### PP FV polypropylene housing

Proof to highly aggressive chemical agents. Inferior loading ability.

### Material

#### PA FV polyamide housing

- Housing in reinforced polyamide PA FV resin (black)
- Protection cover in polypropylene PP (orange)
- Seal and O-Ring in NBR rubber (black)
- Ball type nickel plated brass greasing nipple
- Reinforcing bushings on mounting holes and washers in stainless steel AISI 304
- Stainless steel AISI 303 safety ring.

#### PP FV polypropylene housing

- Housing in reinforced polypropylene PP FV resin (white)
- Protection cover in polypropylene PP (orange)
- Seal and O-Ring in NBR rubber (black).  
On request supplied in Viton rubber (brown).  
Viton material offers high resistance to chemical agents
- Ball type stainless steel AISI 316 greasing nipple
- Reinforcing bushings on mounting holes and washers in stainless steel AISI 316
- Stainless steel AISI 303 safety ring.

### Continuous operating temperature

in air: - 20 to + 60°C.

### Maximum allowed misalignment: 2°.

### Bearing



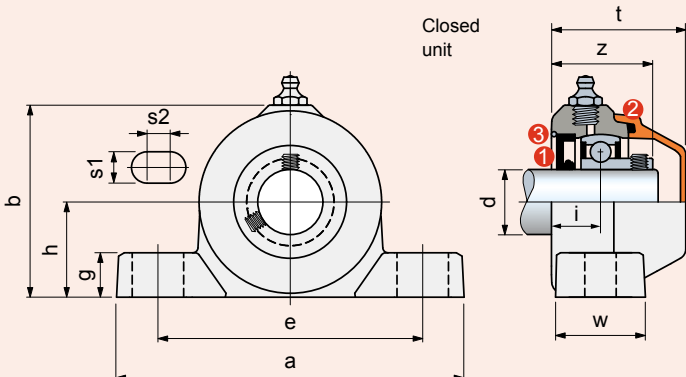
- Type A (grub screws shaft locking)
- Type D (eccentric collar shaft locking)
- Chrome alloy steel
- Superagriseal unit
- Prelubricated with lithium / calcium grease
- Can be relubricated.

### Spare parts for all bearings

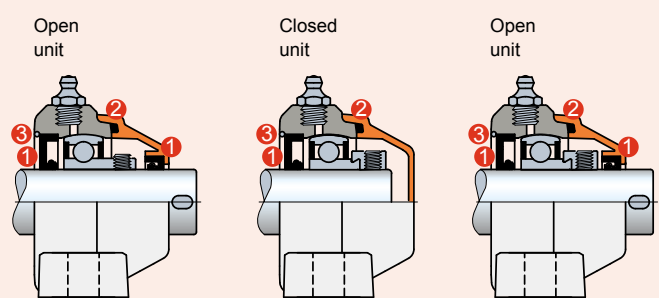


dia. d mm	Code
<b>Safety ring</b>	
20	600982
25	646281
30	646291
35	646301
40	601052

### • Series UCP/C • Type A Grub screws shaft locking



### • Series HCP/C • Type D Eccentric collar shaft locking



- 1 Seal.
- 2 O-Ring.
- 3 Safety ring.

dia. d mm	Series	Housing material		Dimensions in mm												Bearing	Weight Kg	Spare parts Cover orange
		Polyamide PA FV Flange (black) Cover (orange)	Polypropylene PP FV Flange (white) Cover (orange)	e	a	h	b	s1	s2	g	w	i	z	t	Code			
<b>Grub screws shaft locking • Closed unit</b>																		
20	UCP 204 C	682941	678352	96	128	33,3	67	12	10	17	30	18,9	36,9	49,7	Type A	0,27	681942	
25	UCP 205 C	646511	678362	106	140	36,5	75	12	10	17	34,5	18,8	38,3	51,5	Type A	0,33	681952	
30	UCP 206 C	646531	678372	121	163	42,9	88	14	10	20	36	19,7	41,7	55	Type A	0,49	63154	
35	UCP 207 C	646551	678382	126	167	47,6	98	14	10	20	38,6	21,3	44,8	61	Type A	0,64	682022	
40	UCP 208 C	683041	678392	136	185	50	102	14	10	20	38,6	25	50	66,5	Type A	0,84	63539	
<b>Grub screws shaft locking • Open unit</b>																		
20	UCP 204 C	682931	678402	96	128	33,3	67	12	10	17	30	18,9	36,9	49,7	Type A	0,27	681962	
25	UCP 205 C	646521	678412	106	140	36,5	75	12	10	17	34,5	18,8	38,3	51,5	Type A	0,33	681972	
30	UCP 206 C	646541	678422	121	163	42,9	88	14	10	20	36	19,7	41,7	55	Type A	0,49	69965	
35	UCP 207 C	646561	678432	126	167	47,6	98	14	10	20	38,6	21,3	44,8	61	Type A	0,64	682032	
40	UCP 208 C	683031	678442	136	185	50	102	14	10	20	38,6	25	50	66,5	Type A	0,84	63549	
<b>Eccentric collar shaft locking • Closed unit</b>																		
20	HCP 204 C	677952	678452	96	128	33,3	67	12	10	17	30	18,9	42,3	52	Type D	0,32	681942	
25	HCP 205 C	677962	678462	106	140	36,5	75	12	10	17	34,5	18,8	42,2	51,5	Type D	0,37	681952	
30	HCP 206 C	677972	678472	121	163	42,9	88	14	10	20	36	19,7	46,4	55	Type D	0,56	63154	
35	HCP 207 C	677982	678482	126	167	47,6	98	14	10	20	38,6	21,3	50,7	61	Type D	0,82	682022	
40	HCP 208 C	677992	678492	136	185	50	102	14	10	20	38,6	25	57,7	72	Type D	1,03	600882	
<b>Eccentric collar shaft locking • Open unit</b>																		
20	HCP 204 C	678002	678502	96	128	33,3	67	12	10	17	30	18,9	42,3	52	Type D	0,32	681962	
25	HCP 205 C	678012	678512	106	140	36,5	75	12	10	17	34,5	18,8	42,2	51,5	Type D	0,37	681972	
30	HCP 206 C	678022	678522	121	163	42,9	88	14	10	20	36	19,7	46,4	55	Type D	0,56	69965	
35	HCP 207 C	678032	678532	126	167	47,6	98	14	10	20	38,6	21,3	50,7	61	Type D	0,82	682032	
40	HCP 208 C	678042	678542	136	185	50	102	14	10	20	38,6	25	57,7	72	Type D	1,03	600892	

**Item code for order = B0000 + Code**

Packaging: 6 pieces.

# Pillow block type bearing units

## UCP - HCP



### Material

#### PA FV polyamide housing

- Housing in reinforced polyamide PA FV resin (black)
- Ball type nickel plated brass greasing nipple
- Reinforcing bushings on mounting holes and washers in stainless steel AISI 304.

#### PP FV polypropylene housing

- Housing in reinforced polypropylene PP FV resin (white)
- Ball type stainless steel AISI 316 greasing nipple
- Reinforcing bushings on mounting holes and washers in stainless steel AISI 316.

### Continuous operating temperature

in air: - 20 to + 60°C.

### Maximum allowed misalignment: 2°.

### Bearing

- Type B (grub screws shaft locking, chrome alloy steel, Superagriseal unit plus centrifuging ring)
- Type C (grub screws shaft locking, stainless steel AISI 420, Superagriseal unit plus rubberised centrifuging ring)
- Type A (grub screws shaft locking, chrome alloy steel, Superagriseal unit)
- Type D (eccentric collar shaft locking, chrome alloy steel, Superagriseal unit)
- Prelubricated with lithium / calcium grease
- Can be relubricated.

### Grub screws or eccentric collar shaft locking

#### Version with bearing Type B

The double ring guarantees maximum protection against dust and non-corrosive substances.

#### Version with stainless steel bearing Type C

AISI 420 stainless steel bearing with 2 rubberised rings, provides excellent seal against humidity, steams, liquids, medium corrosive chemical agents. Maximum load ability is inferior.

#### Version with bearing Type A

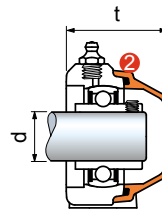
The rubberised ring guarantees maximum protection against dusts.

### Material

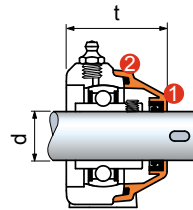
Polyamide PA FV guarantees maximum strength and high-temperature resistance. Polypropylene PP FV offers excellent resistance to chemical agents but inferior load ability.

### Protection covers (accessories)

#### Closed cover



#### Open cover



- ① Seals.
- ② Seals O-Ring.

dia. d mm	Accessories Cover orange	t mm	
	Code	UCFL	HCFL
<b>Closed cover supplied with seals</b>			
20	681942	49,7	52
25	681952	51,5	51,5
30	63154	55	55
35	682022	61	61
40 <sup>1)</sup>	63539	66,5	-
40 <sup>2)</sup>	600882	-	72
<b>Open cover supplied with seals</b>			
20	681962	49,7	52
25	681972	51,5	51,5
30	69965	55	55
35	682032	61	61
40 <sup>1)</sup>	63549	66,5	-
40 <sup>2)</sup>	600892	-	72

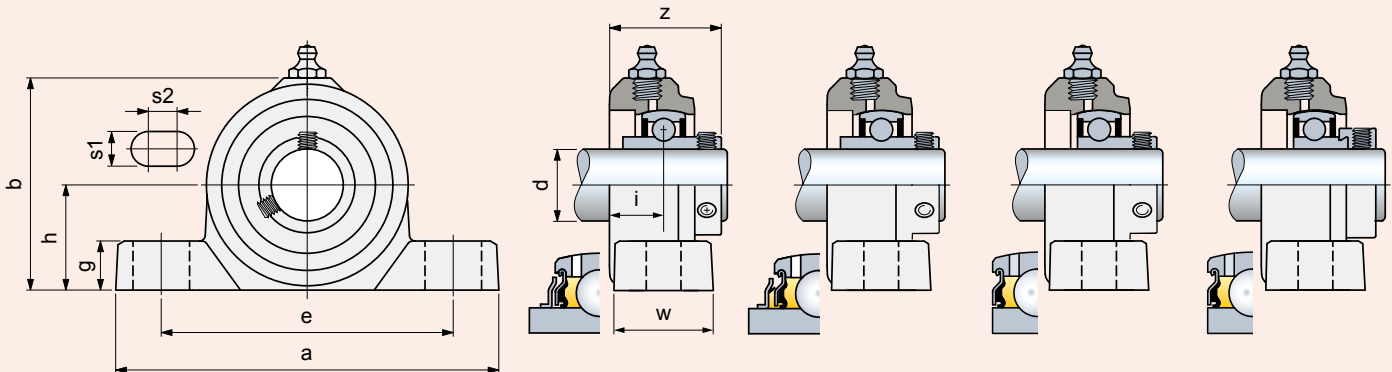
- <sup>1)</sup> = Protection cover for bearing unit with grub screws shaft locking.
- <sup>2)</sup> = Protection cover for bearing unit with eccentric collar shaft locking.

#### • Series UCP • Type B Grub screws shaft locking

#### • Series UCP • Type C Grub screws shaft locking

#### • Series UCP • Type A Grub screws shaft locking

#### • Series HCP • Type D Eccentric collar shaft locking



dia. d mm	Series	Housing material		Dimensions in mm										Bearing	Weight Kg
		Polyamide PA FV Flange (black) <b>Code</b>	Polypropylene PP FV Flange (white)	e	a	h	b	s1	s2	g	w	i	z		
<b>Grub screws shaft locking • Version with bearing Type B</b>															
20	UCP 204	<b>682921</b>	-	96	128	33,3	67	12	10	17	30	18,9	37,2	Type B	0,27
25	UCP 205	<b>648781</b>	-	106	140	36,5	75	12	10	17	34,5	18,8	38,5	Type B	0,33
30	UCP 206	<b>648791</b>	-	121	163	42,9	88	14	10	20	36	19,7	41,9	Type B	0,49
35	UCP 207	<b>648801</b>	-	126	167	47,6	98	14	10	20	38,6	21,3	46,7	Type B	0,64
40	UCP 208	<b>683021</b>	-	136	185	50	102	14	10	20	38,6	25	55,2	Type B	0,84
<b>Grub screws shaft locking • Version with stainless steel bearing Type C</b>															
20	UCP 204	<b>646492</b>	<b>679002</b>	96	128	33,3	67	12	10	17	30	18,9	37,2	Type C	0,27
25	UCP 205	<b>646502</b>	<b>679012</b>	106	140	36,5	75	12	10	17	34,5	18,8	38,6	Type C	0,33
30	UCP 206	<b>646512</b>	<b>679022</b>	121	163	42,9	88	14	10	20	36	19,7	41,9	Type C	0,49
35	UCP 207	<b>646522</b>	<b>679032</b>	126	167	47,6	98	14	10	20	38,6	21,3	46,7	Type C	0,64
40	UCP 208	<b>646532</b>	<b>679042</b>	136	185	50	102	14	10	20	38,6	25	55,2	Type C	0,84
<b>Grub screws shaft locking • Version with bearing Type A</b>															
20	UCP 204	<b>678552</b>	<b>678852</b>	96	128	33,3	67	12	10	17	30	18,9	36,9	Type A	0,24
25	UCP 205	<b>678562</b>	<b>678862</b>	106	140	36,5	75	12	10	17	34,5	18,8	38,3	Type A	0,30
30	UCP 206	<b>678572</b>	<b>678872</b>	121	163	42,9	88	14	10	20	36	19,7	41,7	Type A	0,44
35	UCP 207	<b>678582</b>	<b>678882</b>	126	167	47,6	98	14	10	20	38,6	21,3	44,8	Type A	0,54
40	UCP 208	<b>678592</b>	<b>678892</b>	136	185	50	102	14	10	20	38,6	25	50	Type A	0,72
<b>Eccentric collar shaft locking • Version with bearing Type D</b>															
20	HCP 204	<b>678602</b>	<b>678902</b>	96	128	33,3	67	12	10	17	30	18,9	42,3	Type D	0,29
25	HCP 205	<b>678612</b>	<b>678912</b>	106	140	36,5	75	12	10	17	34,5	18,8	42,2	Type D	0,34
30	HCP 206	<b>678622</b>	<b>678922</b>	121	163	42,9	88	14	10	20	36	19,7	46,4	Type D	0,51
35	HCP 207	<b>678632</b>	<b>678932</b>	126	167	47,6	98	14	10	20	38,6	21,3	50,7	Type D	0,72
40	HCP 208	<b>678642</b>	<b>678942</b>	136	185	50	102	14	10	20	38,6	25	57,7	Type D	0,91

**Item code for order = B0000 + Code**

Packaging: 6 pieces.



# Compact pillow block

## UCPA/C - HCPA/C



### Waterproof housing

### Grub screws or eccentric collar shaft locking

### PA FV polyamide housing

High mechanical and heat resistance. Proof to dust, humidity, washouts, steam, average aggressive chemical agents.

### PP FV polypropylene housing

Proof to highly aggressive chemical agents. Inferior loading ability.

### Material

#### PA FV polyamide housing

- Housing in reinforced polyamide PA FV resin (black)
- Protection cover in polypropylene PP (orange)
- Seal and O-Ring in NBR rubber (black)
- Ball type nickel plated brass greasing nipple
- Nickel plated brass threaded bushings.

#### PP FV polypropylene housing

- Housing in reinforced polypropylene PP FV resin (white)
- Protection cover in polypropylene PP (orange)
- Seal and O-Ring in NBR rubber (black).  
On request supplied in Viton rubber (brown).  
Viton material offers high resistance to chemical agents
- Ball type stainless steel AISI 316 greasing nipple
- Nickel plated brass threaded bushings.

### Continuous operating temperature

in air: - 20 to + 60°C.

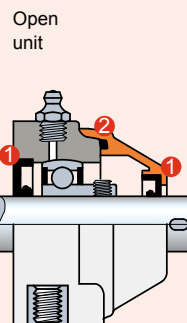
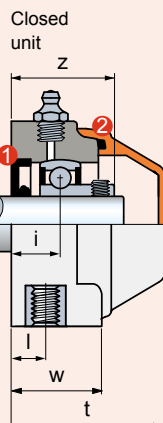
### Maximum allowed misalignment: 2°.

### Bearing

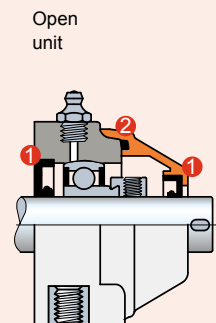
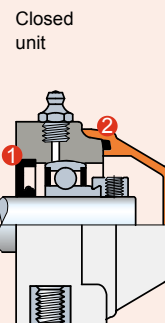


- Type A (grub screws shaft locking)
- Type A (eccentric collar shaft locking)
- Chrome alloy steel
- Superagriseal unit
- Prelubricated with lithium / calcium grease
- Can be relubricated.

### • Series UCPA/C • Type A Grub screws shaft locking



### • Series HCPA/C • Type D Eccentric collar shaft locking



- ① Seal.
- ② O-Ring.

dia. d mm	Series	Housing material		Dimensions in mm											Bearing	Weight Kg	Spare parts Cover orange <b>Code</b>
		Polyamide PA FV Flange (black) Cover (orange)	Polypropylene PP FV Flange (white) Cover (orange)	e	a	h	b	s	w	i	l	z	t				
<b>Grub screws shaft locking • Closed unit</b>																	
17	UCPA 203 C	<b>696182</b>	<b>696542</b>	47	70	30,2	62	M8	28	15,2	10	31,2	49	Type A	0,22	681942	
20	UCPA 204 C	<b>696192</b>	<b>696552</b>	50,8	70	33,2	65	M8	28	15,2	10	33,2	49	Type A	0,25	681942	
25	UCPA 205 C	<b>696202</b>	<b>696562</b>	50,8	75	36,5	72	M10	30	16,8	12	36,3	52	Type A	0,29	681952	
<b>Grub screws shaft locking • Open unit</b>																	
17	UCPA 203 C	<b>696212</b>	<b>696572</b>	47	70	30,2	62	M8	28	15,2	10	31,2	49	Type A	0,22	696162	
20	UCPA 204 C	<b>696222</b>	<b>696582</b>	50,8	70	33,2	65	M8	28	15,2	10	33,2	49	Type A	0,25	681962	
25	UCPA 205 C	<b>696232</b>	<b>696592</b>	50,8	75	36,5	72	M10	30	16,8	12	36,3	52	Type A	0,29	681972	
<b>Eccentric collar shaft locking • Closed unit</b>																	
17	HCPA 203 C	<b>696242</b>	<b>696602</b>	47	70	30,2	62	M8	28	15,2	10	37,3	49	Type D	0,24	681942	
20	HCPA 204 C	<b>696252</b>	<b>696612</b>	50,8	70	33,2	65	M8	28	15,2	10	38,6	49	Type D	0,27	681942	
25	HCPA 205 C	<b>696262</b>	<b>696622</b>	50,8	75	36,5	72	M10	30	16,8	12	40,2	52	Type D	0,34	681952	
<b>Eccentric collar shaft locking • Open unit</b>																	
17	HCPA 203 C	<b>696272</b>	<b>696632</b>	47	70	30,2	62	M8	28	15,2	10	37,3	49	Type D	0,24	696162	
20	HCPA 204 C	<b>696282</b>	<b>696642</b>	50,8	70	33,2	65	M8	28	15,2	10	38,6	49	Type D	0,27	681962	
25	HCPA 205 C	<b>696292</b>	<b>696652</b>	50,8	75	36,5	72	M10	30	16,8	12	40,2	52	Type D	0,34	681972	

**Item code for order = B0000 + Code**

Packaging: 6 pieces.

# Compact pillow block

## UCPA - HCPA



Accessories

### Material

#### PA FV polyamide housing

- Housing in reinforced polyamide PA FV resin (black)
- Ball type nickel plated brass greasing nipple
- Nickel plated brass threaded bushings.

#### PP FV polypropylene housing

- Housing in reinforced polypropylene PP FV resin (white)
- Ball type stainless steel AISI 316 greasing nipple
- Nickel plated brass threaded bushings.

### Continuous operating temperature

in air: - 20 to + 60°C.

### Maximum allowed misalignment: 2°.

### Bearing

- Type B (grub screws shaft locking, chrome alloy steel, Superagriseal unit plus centrifuging ring)
- Type C (grub screws shaft locking, stainless steel AISI 420, Superagriseal unit plus rubberised centrifuging ring)
- Type A (grub screws shaft locking, chrome alloy steel, Superagriseal unit)
- Type D (eccentric collar shaft locking, chrome alloy steel, Superagriseal unit)
- Prelubricated with lithium / calcium grease
- Can be relubricated.

### Grub screws or eccentric collar shaft locking

#### Version with bearing Type B

The double ring guarantees maximum protection against dust and non-corrosive substances.

#### Version with stainless steel bearing Type C

AISI 420 stainless steel bearing with 2 rubberised rings, provides excellent seal against humidity, steams, liquids, medium corrosive chemical agents. Maximum load ability is inferior.

#### Version with bearing Type A

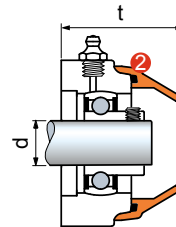
The rubberised ring guarantees maximum protection against dusts.

### Material

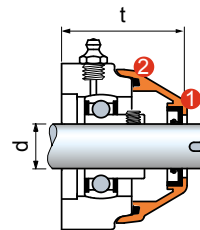
Polyamide PA FV guarantees maximum strength and high-temperature resistance. Polypropylene PP FV offers excellent resistance to chemical agents but inferior load ability.

### Protection covers (accessories)

#### Closed cover



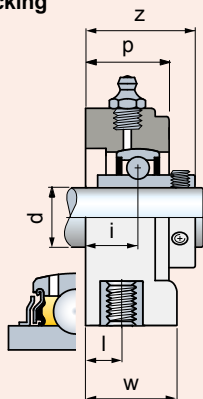
#### Open cover



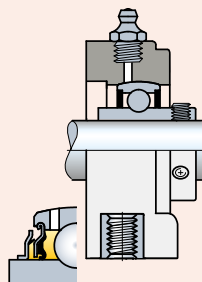
- ① Seals.
- ② Seals O-Ring.

dia. d mm	Accessories Cover orange	t mm
	Code	
<b>Closed cover supplied with seals</b>		
17	681942	49
20	681942	49
25	681952	52
<b>Open cover supplied with seals</b>		
17	696162	49
20	681962	49
25	681972	52

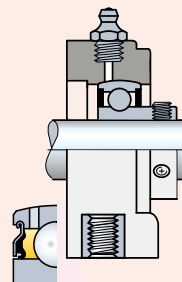
#### • Series UCPA • Type B Grub screws shaft locking



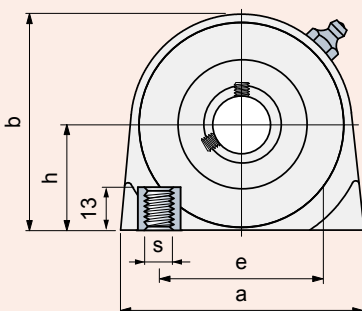
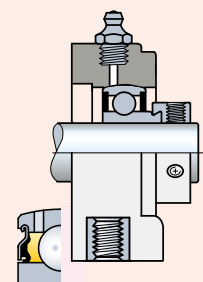
#### • Series UCPA • Type C Grub screws shaft locking



#### • Series UCPA • Type A Grub screws shaft locking



#### • Series HCPA • Type D Eccentric collar shaft locking



dia. d mm	Series	Housing material		Dimensions in mm										Bearing	Weight Kg
		Polyamide PA FV Flange (black) <b>Code</b>	Polypropylene PP FV Flange (white)	e	a	h	b	s	w	i	l	z	p		
<b>Grub screws shaft locking • Version with bearing Type B</b>															
17	UCPA 203	<b>696902</b>	-	47	70	30,2	62	M8	28	15,2	10	31,1	27	Type B	0,21
20	UCPA 204	<b>696912</b>	-	50,8	70	33,2	65	M8	28	15,2	10	33,5	27	Type B	0,26
25	UCPA 205	<b>696922</b>	-	50,8	75	36,5	72	M10	30	16,8	12	36,5	30	Type B	0,30
<b>Grub screws shaft locking • Version with stainless steel bearing Type C</b>															
20	UCPA 204	<b>696942</b>	<b>697002</b>	50,8	70	33,2	65	M8	28	15,2	10	33,5	27	Type C	0,26
25	UCPA 205	<b>696952</b>	<b>697012</b>	50,8	75	36,5	72	M10	30	16,8	12	36,6	30	Type C	0,30
<b>Grub screws shaft locking • Version with bearing Type A</b>															
17	UCPA 203	<b>696662</b>	<b>696842</b>	47	70	30,2	62	M8	28	15,2	10	31,2	27	Type A	0,21
20	UCPA 204	<b>696672</b>	<b>696852</b>	50,8	70	33,2	65	M8	28	15,2	10	33,2	27	Type A	0,24
25	UCPA 205	<b>696682</b>	<b>696862</b>	50,8	75	36,5	72	M10	30	16,8	12	36,5	30	Type A	0,28
<b>Eccentric collar shaft locking • Version with bearing Type D</b>															
17	HCPA 203	<b>696692</b>	<b>696872</b>	47	70	30,2	62	M8	28	15,2	10	37,3	27	Type D	0,23
20	HCPA 204	<b>696702</b>	<b>696882</b>	50,8	70	33,2	65	M8	28	15,2	10	38,6	27	Type D	0,26
25	HCPA 205	<b>696712</b>	<b>696892</b>	50,8	75	36,5	72	M10	30	16,8	12	40,2	30	Type D	0,33

**Item code for order = B0000 + Code**

Packaging: 6 pieces.

# Side flange bearing units

## UCFB/C - HCFB/C



The picture shows  
d. 20 - 25 version.

For other versions please  
see the technical drawing.

### Waterproof housing

### Grub screws or eccentric collar shaft locking

### PA FV polyamide housing

High mechanical and heat resistance. Proof to dust, humidity, washouts, steam, average aggressive chemical agents.

### PP FV polypropylene housing

Proof to highly aggressive chemical agents. Inferior loading ability.

### Solid flange bearings

They differ from standard flange versions for their closed surface structure, ideal for sanitation.

### Material

#### PA FV polyamide housing

- Housing in reinforced polyamide PA FV resin (black)
- Protection cover in polypropylene PP (orange)
- Seal and O-Ring in NBR rubber (black)
- Ball type nickel plated brass greasing nipple
- Reinforcing bushings on mounting holes and washers in stainless steel AISI 304

#### PP FV polypropylene housing

- Housing in reinforced polypropylene PP FV resin (white)
- Protection cover in polypropylene PP (orange)
- Seal and O-Ring in NBR rubber (black).  
On request supplied in Viton rubber (brown).  
Viton material offers high resistance to chemical agents
- Ball type stainless steel AISI 316 greasing nipple
- Reinforcing bushings on mounting holes and washers in stainless steel AISI 316.

### Continuous operating temperature

in air: - 20 to + 60°C.

### Maximum allowed misalignment: 2°.

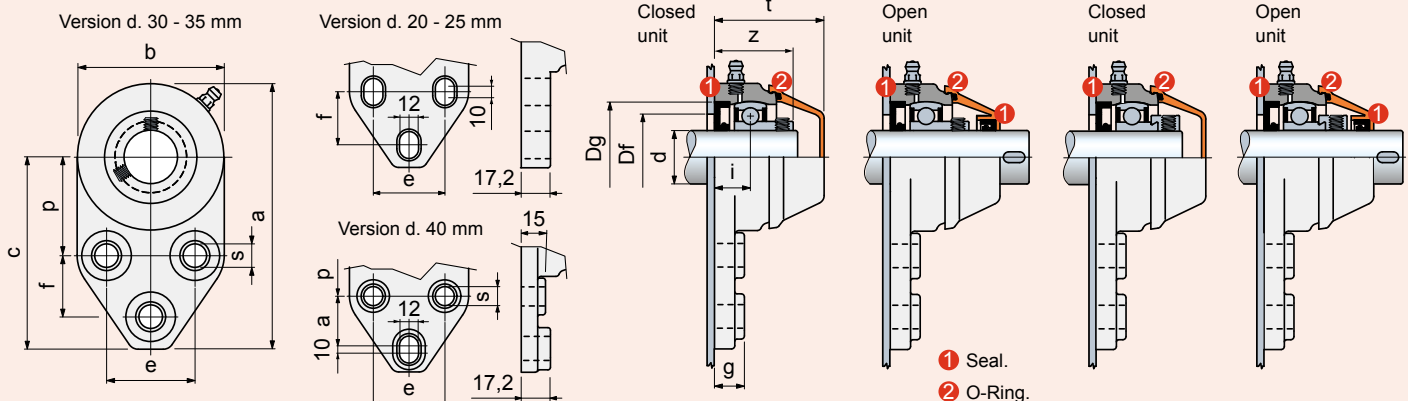
### Bearing



- Type A (grub screws shaft locking)
- Type D (eccentric collar shaft locking)
- Chrome alloy steel
- Superagriseal unit
- Prelubricated with lithium / calcium grease
- Can be relubricated.

### • Series UCFB/C • Type A Grub screws shaft locking

### • Series HCFB/C • Type D Eccentric collar shaft locking



dia. d mm	Series	Housing material		Dimensions in mm													Bore in frame <sup>1)</sup> Df		Bearing	Weight Kg	Spare parts Cover orange
		Polyamide PA FV Standard Flange (black) Cover (orange)	Polypropylene PP FV Solid Flange (white) Cover (orange)	a	b	c	p	e	f	s	g	i	z	t	Dg	max.	min.	Code			
<b>Grub screws shaft locking • Closed unit</b>																					
20	UCFB 204 C	<b>601133N</b>	<b>601373N</b>	124,2	68,8	89,8	46	41,3	28,6	11	14	16,4	34,4	49	47	45	40	Type A	0,26	681942	
25	UCFB 205 C	<b>656542N</b>	<b>677832N</b>	124,2	68,8	89,8	46	41,3	28,6	11	14	17,8	37,3	52	52	50	45	Type A	0,32	681952	
30	UCFB 206 C	<b>656562</b>	<b>677842</b>	138,6	81,3	97,9	52,4	47,6	31,7	11	14	20	42	55	62	60	50	Type A	0,47	63154	
35	UCFB 207 C	<b>656582</b>	<b>677852</b>	154,5	93,7	107,6	60,3	50,8	31,7	13	15	19,5	43	59	72	70	55	Type A	0,64	682022	
40	UCFB 208 C	<b>601143</b>	<b>601383</b>	164	100	114	60	50	31	13	-	22	47	66,5	80	78	65	Type A	0,84	600882	
<b>Grub screws shaft locking • Open unit</b>																					
20	UCFB 204 C	<b>601153N</b>	<b>601393N</b>	124,2	68,8	89,8	46	41,3	28,6	11	14	16,4	34,4	49	47	45	40	Type A	0,26	681962	
25	UCFB 205 C	<b>656552N</b>	<b>677862N</b>	124,2	68,8	89,8	46	41,3	28,6	11	14	17,8	37,3	52	52	50	45	Type A	0,32	681972	
30	UCFB 206 C	<b>656572</b>	<b>677872</b>	138,6	81,3	97,9	52,4	47,6	31,7	11	14	20	42	55	62	60	50	Type A	0,47	69965	
35	UCFB 207 C	<b>656592</b>	<b>677882</b>	154,5	93,7	107,6	60,3	50,8	31,7	13	15	19,5	43	59	72	70	55	Type A	0,64	682032	
40	UCFB 208 C	<b>601163</b>	<b>601403</b>	164	100	114	60	50	31	13	-	22	47	66,5	80	78	65	Type A	0,84	600892	
<b>Eccentric collar shaft locking • Closed unit</b>																					
20	HCFB 204 C	<b>601173N</b>	<b>601413N</b>	124,2	68,8	89,8	46	41,3	28,6	11	14	16,4	39,8	49	47	45	40	Type D	0,29	681942	
25	HCFB 205 C	<b>663252N</b>	<b>677892N</b>	124,2	68,8	89,8	46	41,3	28,6	11	14	17,8	41,2	57	52	50	45	Type D	0,35	681952	
30	HCFB 206 C	<b>663262</b>	<b>677902</b>	138,6	81,3	97,9	52,4	47,6	31,7	11	14	20	46,7	60	62	60	50	Type D	0,50	63154	
35	HCFB 207 C	<b>663272</b>	<b>677912</b>	154,5	93,7	107,6	60,3	50,8	31,7	13	15	19,5	48,9	64,5	72	70	55	Type D	0,67	682022	
40	HCFB 208 C	<b>601183</b>	<b>601423</b>	164	100	114	60	50	31	13	-	22	54,7	72	80	78	65	Type D	0,92	600882	
<b>Eccentric collar shaft locking • Open unit</b>																					
20	HCFB 204 C	<b>601193N</b>	<b>601433N</b>	124,2	68,8	89,8	46	41,3	28,6	11	14	16,4	39,8	49	47	45	40	Type D	0,29	681962	
25	HCFB 205 C	<b>663282N</b>	<b>677922N</b>	124,2	68,8	89,8	46	41,3	28,6	11	14	17,8	41,2	57	52	50	45	Type D	0,35	681972	
30	HCFB 206 C	<b>663292</b>	<b>677932</b>	138,6	81,3	97,9	52,4	47,6	31,7	11	14	20	46,7	60	62	60	50	Type D	0,50	69965	
35	HCFB 207 C	<b>663302</b>	<b>677942</b>	154,5	93,7	107,6	60,3	50,8	31,7	13	15	19,5	48,9	64,5	72	70	55	Type D	0,67	682032	
40	HCFB 208 C	<b>601203</b>	<b>601443</b>	164	100	114	60	50	31	13	-	22	54,7	72	80	78	65	Type D	0,92	600892	

**Item code for order = B0000 + Code**

<sup>1)</sup> = Dimensions Df max / Df min must be respected to ensure positive retention of the seals and to allow air bleeding during lubrication.

Packaging: 6 pieces.

# Side flange bearing units

## UCFB - HCFB



The picture shows  
d. 20 - 25 version.

For other versions please  
see the technical drawing.



Accessories

### Material

#### PA FV polyamide housing

- Housing in reinforced polyamide PA FV resin (black)
- Ball type nickel plated brass greasing nipple
- Reinforcing bushings on mounting holes in stainless steel AISI 304.

#### PP FV polypropylene housing

- Housing in reinforced polypropylene PP FV resin (white)
- Bearing in stainless steel AISI 420
- Ball type stainless steel AISI 316 greasing nipple
- Reinforcing bushings on mounting holes in stainless steel AISI 316.

### Continuous operating temperature

in air: - 20 to + 60°C.

### Maximum allowed misalignment: 2°.

### Bearing

- Type B (grub screws shaft locking, chrome alloy steel, Superagriseal unit plus centrifuging ring)
- Type C (grub screws shaft locking, stainless steel AISI 420, Superagriseal unit plus rubberised centrifuging ring)
- Type A (grub screws shaft locking, chrome alloy steel, Superagriseal unit)
- Type D (eccentric collar shaft locking, chrome alloy steel, Superagriseal unit)
- Prelubricated with lithium / calcium grease
- Can be relubricated.

### Grub screws or eccentric collar shaft locking

#### Version with bearing Type B

The double ring guarantees maximum protection against dust and non-corrosive substances.

#### Version with stainless steel bearing Type C

AISI 420 stainless steel bearing with 2 rubberised rings, provides excellent seal against humidity, steams, liquids, medium corrosive chemical agents. Maximum load ability is inferior.

#### Version with bearing Type A

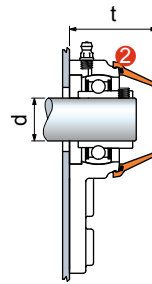
The rubberised ring guarantees maximum protection against dusts.

### Material

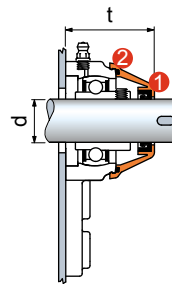
Polyamide PA FV guarantees maximum strength and high-temperature resistance. Polypropylene PP FV offers excellent resistance to chemical agents but inferior load ability.

### Protection covers (accessories)

#### Closed cover



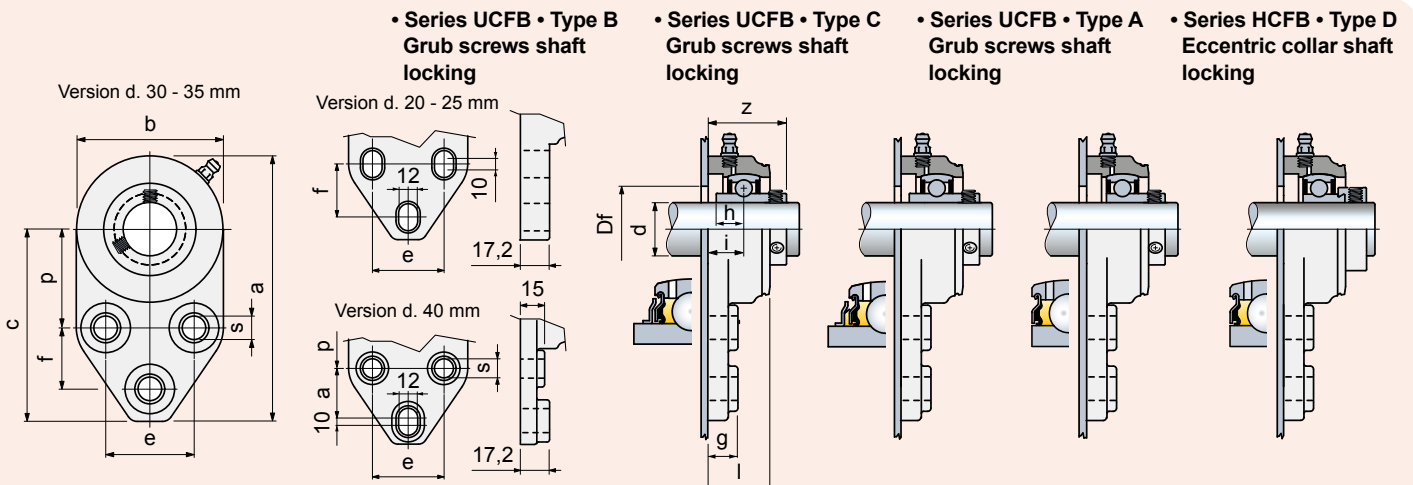
#### Open cover



① Seals.

② Seals O-Ring.

dia. d mm	Accessories	t mm	
	Cover orange <b>Code</b>	UCFL	HCFL
<b>Closed cover supplied with seals</b>			
20	<b>681942</b>	49	49
25	<b>681952</b>	52	57
30	<b>63154</b>	55	60
35	<b>682022</b>	59	64,5
40	<b>600882</b>	66,5	72
<b>Open cover supplied with seals</b>			
20	<b>681962</b>	49	49
25	<b>681972</b>	52	57
30	<b>69965</b>	55	60
35	<b>682032</b>	59	64,5
40	<b>600892</b>	66,5	72



dia. d mm	Series	Housing material		Dimensions in mm													Bore in frame Df mm	Bearing	Weight Kg
		Polyamide PA FV Solid Flange (black) <b>Code</b>	Polypropylene PP FV Solid Flange (white)	a	b	c	p	e	f	s	g	i	h	l	z				
<b>Grub screws shaft locking • Version with bearing Type B</b>																			
20	UCFB 204	<b>601613N</b>	-	124,2	68,8	89,8	46	41,3	28,6	11	14	16,4	12,7	28,3	34,7	24	Type B	0,26	
25	UCFB 205	<b>663912N</b>	-	124,2	68,8	89,8	46	41,3	28,6	11	14	17,8	14,3	29	37,5	29	Type B	0,33	
30	UCFB 206	<b>663922</b>	-	138,6	81,3	97,9	52,4	47,6	31,7	11	14	20	15,9	31,5	42,2	34	Type B	0,50	
35	UCFB 207	<b>663932</b>	-	154,5	93,7	107,6	60,3	50,8	31,7	13	15	19,5	17,5	32	44,9	39	Type B	0,72	
40	UCFB 208	<b>601623</b>	-	164	100	114	60	50	31	13	-	22	19	36	52,2	44	Type B	0,84	
<b>Grub screws shaft locking • Version with stainless steel bearing Type C</b>																			
20	UCFB 204	<b>601633N</b>	<b>601673N</b>	124,2	68,8	89,8	46	41,3	28,6	11	14	16,4	12,7	28,3	34,7	24	Type C	0,26	
25	UCFB 205	<b>663942N</b>	<b>665982N</b>	124,2	68,8	89,8	46	41,3	28,6	11	14	17,8	14,3	29	37,6	29	Type C	0,33	
30	UCFB 206	<b>663952</b>	<b>665992</b>	138,6	81,3	97,9	52,4	47,6	31,7	11	14	20	15,9	31,5	42,2	34	Type C	0,50	
35	UCFB 207	<b>663962</b>	<b>666002</b>	154,5	93,7	107,6	60,3	50,8	31,7	13	15	19,5	17,5	32	44,9	39	Type C	0,72	
40	UCFB 208	<b>601643</b>	<b>601683</b>	164	100	114	60	50	31	13	-	22	19	36	52,2	44	Type C	0,84	
<b>Grub screws shaft locking • Version with bearing Type A</b>																			
20	UCFB 204	<b>601453N</b>	<b>601573N</b>	124,2	68,8	89,8	46	41,3	28,6	11	14	16,4	-	28,3	34,4	24	Type A	0,26	
25	UCFB 205	<b>663672N</b>	<b>663852N</b>	124,2	68,8	89,8	46	41,3	28,6	11	14	17,8	-	29	37,3	29	Type A	0,30	
30	UCFB 206	<b>663682</b>	<b>663862</b>	138,6	81,3	97,9	52,4	47,6	31,7	11	14	20	-	31,5	42	34	Type A	0,45	
35	UCFB 207	<b>663692</b>	<b>663872</b>	154,5	93,7	107,6	60,3	50,8	31,7	13	15	19,5	-	32	43	39	Type A	0,62	
40	UCFB 208	<b>601463</b>	<b>601583</b>	164	100	114	60	50	31	13	-	22	-	36	47	44	Type A	0,84	
<b>Eccentric collar shaft locking • Version with bearing Type D</b>																			
20	HCFB 204	<b>601473N</b>	<b>601593N</b>	124,2	68,8	89,8	46	41,3	28,6	11	14	16,4	-	28,3	39,8	24	Type D	0,29	
25	HCFB 205	<b>663702N</b>	<b>663882N</b>	124,2	68,8	89,8	46	41,3	28,6	11	14	17,8	-	34	41,2	29	Type D	0,33	
30	HCFB 206	<b>663712</b>	<b>663892</b>	138,6	81,3	97,9	52,4	47,6	31,7	11	14	20	-	36,5	46,7	34	Type D	0,48	
35	HCFB 207	<b>663722</b>	<b>663902</b>	154,5	93,7	107,6	60,3	50,8	31,7	13	15	19,5	-	38	48,9	39	Type D	0,65	
40	HCFB 208	<b>601483</b>	<b>601603</b>	164	100	114	60	50	31	13	-	22	-	36	54,7	44	Type D	0,92	

**Item code for order = B0000 + Code**

Packaging: 6 pieces.



# Take-up bearing units

## UCT/C - HCT/C



### Waterproof housing

### Grub screws or eccentric collar shaft locking

### PA FV polyamide housing

High mechanical and heat resistance. Proof to dust, humidity, washouts, steam, average aggressive chemical agents.

### PP FV polypropylene housing

Proof to highly aggressive chemical agents. Inferior loading ability.

### Material

#### PA FV polyamide housing

- Housing in reinforced polyamide PA FV resin (black)
- Protection cover in polypropylene PP (orange)
- Seal and O-Ring in NBR rubber (black)
- Ball type nickel plated brass greasing nipple
- Threaded insert in nickel plated brass.

#### PP FV polypropylene housing

- Housing in reinforced polypropylene PP FV resin (white)
- Protection cover in polypropylene PP (orange)
- Seal and O-Ring in NBR rubber (black).  
On request supplied in Viton rubber (brown).  
Viton material offers high resistance to chemical agents
- Ball type stainless steel AISI 316 greasing nipple
- Threaded insert in nickel plated brass.

### Continuous operating temperature

in air: - 20 to + 60°C.

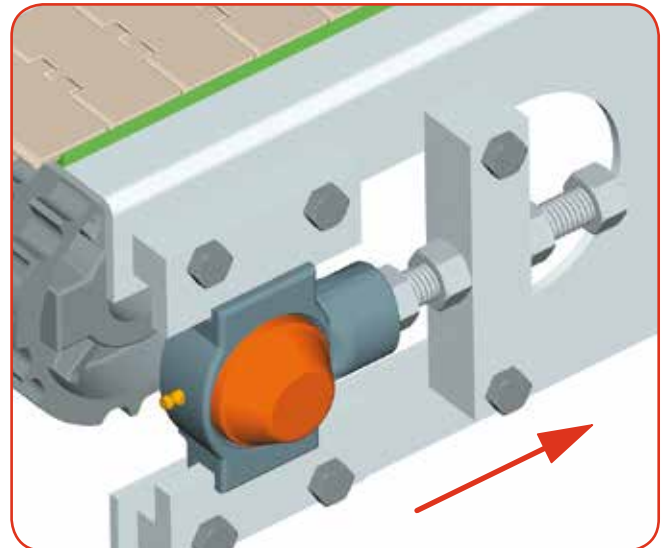
### Maximum allowed misalignment: 2°.

### Bearing



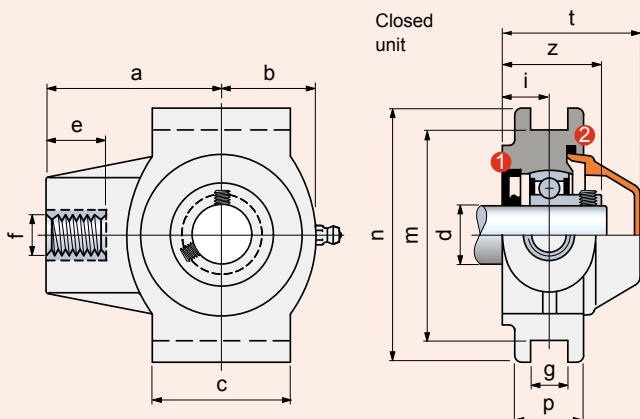
- Type A (grub screws shaft locking)
- Type A (eccentric collar shaft locking)
- Chrome alloy steel
- Superagriseal unit
- Prelubricated with lithium / calcium grease
- Can be relubricated.

### Assembly

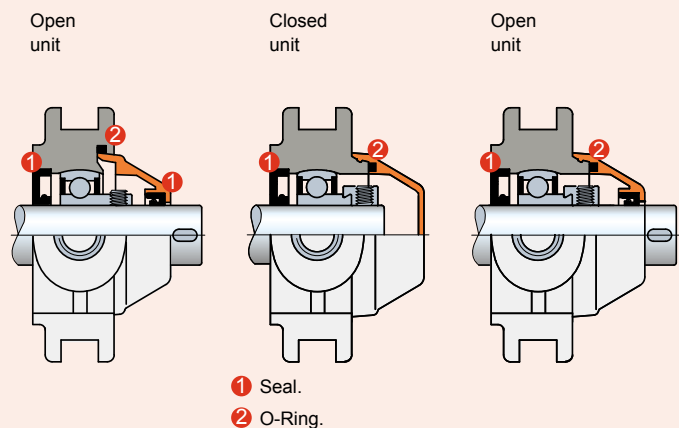


Working load allowed only in this direction.

### • Series UCT/C • Type A Grub screws shaft locking



### • Series HCT/C • Type D Eccentric collar shaft locking



- 1 Seal.
- 2 O-Ring.

dia. d mm	Series	Housing material		Dimensions in mm												Bearing	Weight Kg	Spare parts Cover orange
		Polyamide PA FV Flange (black) Cover (orange)	Polypropylene PP FV Flange (white) Cover (orange)	a	b	c	e	f	g	i	m	n	p	z	t			Code
<b>Grub screws shaft locking • Closed unit</b>																		
20	UCT 204 C	<b>666952</b>	<b>677592</b>	63,5	34	50	28	M16	13,5	17	76,2	92	25	35	50	Type A	0,33	681862
25	UCT 205 C	<b>666962</b>	<b>677602</b>	68,5	39,5	50	28	M20	13,5	17	76,2	92	25	36,5	52	Type A	0,39	681872
30	UCT 206 C	<b>666972</b>	<b>677612</b>	77	48	57	28	M24	13,5	18,5	89	104	28	40,5	55	Type A	0,50	667812
<b>Grub screws shaft locking • Open unit</b>																		
20	UCT 204 C	<b>666982</b>	<b>677622</b>	63,5	34	50	28	M16	13,5	17	76,2	92	25	35	50	Type A	0,33	681882
25	UCT 205 C	<b>666992</b>	<b>677632</b>	68,5	39,5	50	28	M20	13,5	17	76,2	92	25	36,5	52	Type A	0,39	681892
30	UCT 206 C	<b>667002</b>	<b>677642</b>	77	48	57	28	M24	13,5	18,5	89	104	28	40,5	55	Type A	0,50	667932
<b>Eccentric collar shaft locking • Closed unit</b>																		
20	HCT 204 C	<b>667012</b>	<b>677652</b>	63,5	34	50	28	M16	13,5	17	76,2	92	25	40,4	57	Type D	0,36	681942
25	HCT 205 C	<b>667022</b>	<b>677662</b>	68,5	39,5	50	28	M20	13,5	17	76,2	92	25	40,4	58	Type D	0,42	681952
30	HCT 206 C	<b>667032</b>	<b>677672</b>	77	48	57	28	M24	13,5	18,5	89	104	28	45,2	62	Type D	0,53	63154
<b>Eccentric collar shaft locking • Open unit</b>																		
20	HCT 204 C	<b>667042</b>	<b>677682</b>	63,5	34	50	28	M16	13,5	17	76,2	92	25	40,4	57	Type D	0,36	681962
25	HCT 205 C	<b>667052</b>	<b>677692</b>	68,5	39,5	50	28	M20	13,5	17	76,2	92	25	40,4	58	Type D	0,42	681972
30	HCT 206 C	<b>667062</b>	<b>677702</b>	77	48	57	28	M24	13,5	18,5	89	104	28	45,2	62	Type D	0,53	69965

**Item code for order = B0000 + Code**

Packaging: 6 pieces.

# Take-up bearing units

## UCT - HCT



Accessories

**Material**

**PA FV polyamide housing**

- Housing in reinforced polyamide PA FV resin (black)
- Ball type nickel plated brass greasing nipple
- Threaded insert in nickel plated brass.

**PP FV polypropylene housing**

- Housing in reinforced polypropylene PP FV resin (white)
- Bearing in stainless steel AISI 420
- Ball type stainless steel AISI 316 greasing nipple
- Threaded insert in nickel plated brass.

**Continuous operating temperature**

in air: - 20 to + 60°C.

**Maximum allowed misalignment: 2°.**

**Bearing**

- Type B (grub screws shaft locking, chrome alloy steel, Superagriseal unit plus centrifuging ring)
- Type C (grub screws shaft locking, stainless steel AISI 420, Superagriseal unit plus rubberised centrifuging ring)
- Type A (grub screws shaft locking, chrome alloy steel, Superagriseal unit)
- Type D (eccentric collar shaft locking, chrome alloy steel, Superagriseal unit)
- Prelubricated with lithium / calcium grease
- Can be relubricated.

**Grub screws or eccentric collar shaft locking**

**Version with bearing YAR 2F**

The double ring guarantees maximum protection against dust and non-corrosive substances.

**Version with stainless steel bearing YAR 2RF**

AISI 420 stainless steel bearing with 2 rubberised rings, provides excellent seal against humidity, steams, liquids, medium corrosive chemical agents. Maximum load ability is inferior.

**Version with bearing YAT**

The rubberised ring guarantees maximum protection against dusts.

**Material**

Polyamide PA FV guarantees maximum strength and high-temperature resistance. Polypropylene PP FV offers excellent resistance to chemical agents but inferior load ability.

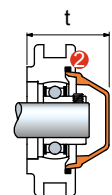
**Protection covers (accessories)**

dia. d mm	Accessories Cover orange		t mm	
	Code	UCFL	HCFL	
<b>Series UCT Closed cover</b> supplied with seals				
20	681862	50	-	
25	681872	52	-	
30	667812	55	-	
<b>Series UCT Open cover</b> supplied with seals				
20	681882	50	-	
25	681892	52	-	
30	667932	55	-	
<b>Series HCT Closed cover</b> supplied with seals				
20	681942	-	57	
25	681952	-	58	
30	63154	-	62	
<b>Series HCT Open cover</b> supplied with seals				
20	681962	-	57	
25	681972	-	58	
30	69965	-	62	

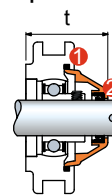
① Seals.

② Seals O-Ring.

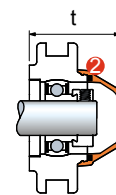
Series UCT  
Closed cover



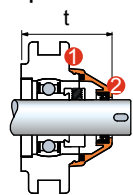
Series UCT  
Open cover



Series HCT  
Closed cover



Series HCT  
Open cover

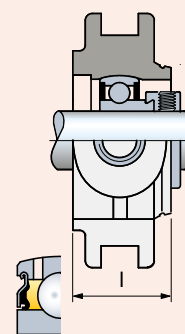
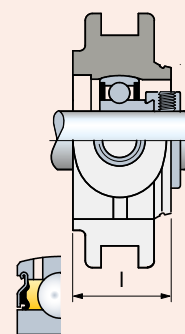
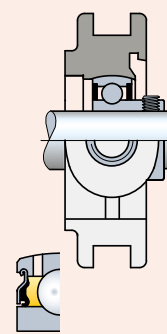
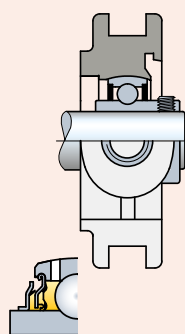
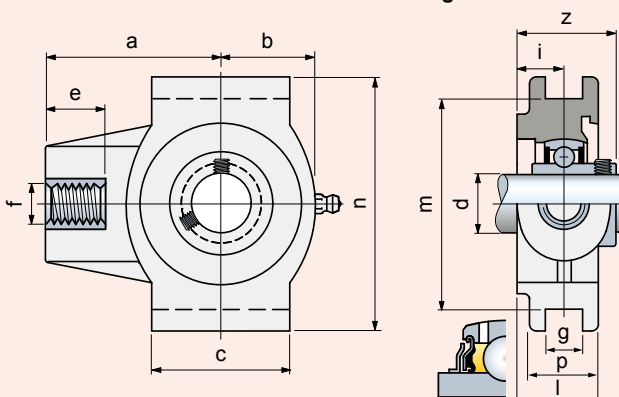


• Series UCT • Type B  
Grub screws shaft  
locking

• Series UCT • Type C  
Grub screws shaft  
locking

• Series UCT • Type A  
Grub screws shaft  
locking

• Series HCT • Type D  
Eccentric collar shaft  
locking

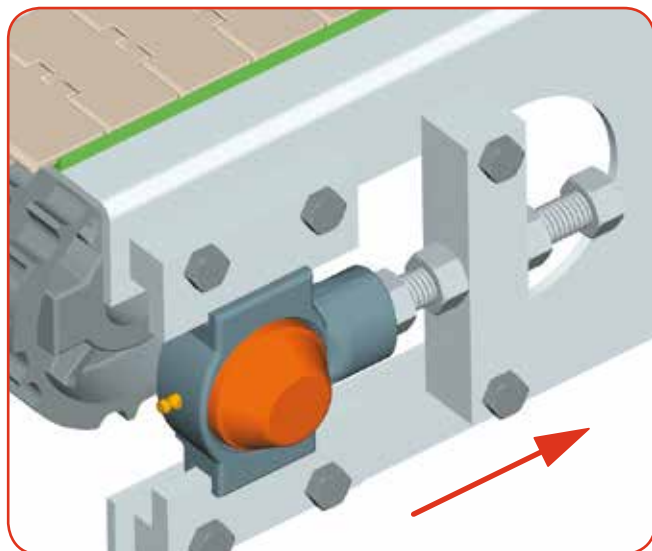


dia. d mm	Series	Housing material		Dimensions in mm													Bearing	Weight Kg
		Polyamide PA FV Flange (black)	Polypropylene PP FV Flange (white)	a	b	c	e	f	g	i	l	m	n	p	z			
<b>Grub screws shaft locking • Version with bearing Type B</b>																		
20	UCT 204	<b>667672</b>	-	63,5	34	50	28	M16	13,5	17	29,5	76,2	92	25	35,3	Type B	0,31	
25	UCT 205	<b>667682</b>	-	68,5	39,5	50	28	M20	13,5	17	29,5	76,2	92	25	36,7	Type B	0,37	
30	UCT 206	<b>667692</b>	-	77	48	57	28	M24	13,5	18,5	32,5	89	104	28	40,7	Type B	0,48	
<b>Grub screws shaft locking • Version with stainless steel bearing Type C</b>																		
20	UCT 204	<b>667702</b>	<b>667762</b>	63,5	34	50	28	M16	13,5	17	29,5	76,2	92	25	35,3	Type C	0,31	
25	UCT 205	<b>667712</b>	<b>667772</b>	68,5	39,5	50	28	M20	13,5	17	29,5	76,2	92	25	36,8	Type C	0,37	
30	UCT 206	<b>667722</b>	<b>667782</b>	77	48	57	28	M24	13,5	18,5	32,5	89	104	28	40,7	Type C	0,48	
<b>Grub screws shaft locking • Version with bearing Type A</b>																		
20	UCT 204	<b>667432</b>	<b>667522</b>	63,5	34	50	28	M16	13,5	17	29,5	76,2	92	25	35	Type A	0,31	
25	UCT 205	<b>667442</b>	<b>667532</b>	68,5	39,5	50	28	M20	13,5	17	29,5	76,2	92	25	36,5	Type A	0,37	
30	UCT 206	<b>667452</b>	<b>667542</b>	77	48	57	28	M24	13,5	18,5	32,5	89	104	28	40,5	Type A	0,48	
<b>Eccentric collar shaft locking • Version with bearing Type D</b>																		
20	HCT 204	<b>667552</b>	<b>667642</b>	63,5	34	50	28	M16	13,5	17	35,5	76,2	92	25	40,4	Type D	0,34	
25	HCT 205	<b>667562</b>	<b>667652</b>	68,5	39,5	50	28	M20	13,5	17	35,5	76,2	92	25	40,4	Type D	0,40	
30	HCT 206	<b>667572</b>	<b>667662</b>	77	48	57	28	M24	13,5	18,5	38,5	89	104	28	45,2	Type D	0,51	

**Item code for order = B0000 + Code**

Packaging: 6 pieces.

**Assembly**



Working load allowed only in this direction.

**Best Seller**

**Standard**

**On request**

# Round flange bearing units

## UCFC/C



### Waterproof housing

### Grub screws shaft locking

### PA FV polyamide housing

High mechanical and heat resistance. Proof to dust, humidity, washouts, steam, average aggressive chemical agents.

### PP FV polypropylene housing

Proof to highly aggressive chemical agents. Inferior loading ability.

### Material

#### PA FV polyamide housing

- Housing in reinforced polyamide PA FV resin (black)
- Protection cover in polypropylene PP (orange)
- Seal and O-Ring in NBR rubber (black)
- Ball type nickel plated brass greasing nipple
- Reinforcing bushings on mounting holes and washers in stainless steel AISI 304

#### PP FV polypropylene housing

- Housing in reinforced polypropylene PP FV resin (black)
- Protection cover in polypropylene PP (orange)
- Seal and O-Ring in NBR rubber (black).
- On request supplied in Viton rubber (brown).  
Viton material offers high resistance to chemical agents
- Ball type stainless steel AISI 316 greasing nipple
- Reinforcing bushings on mounting holes and washers in stainless steel AISI 316.

### Continuous operating temperature

in air: - 20 to + 60°C.

### Maximum allowed misalignment: 2°.

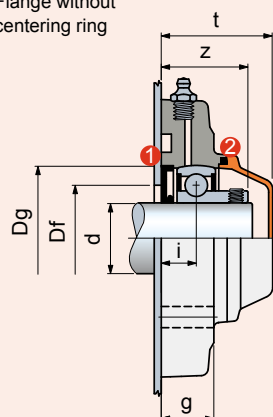
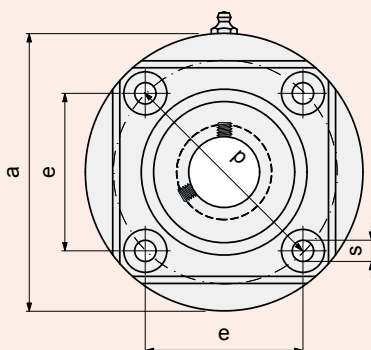
### Bearing



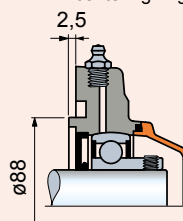
- Type A (grub screws shaft locking)
- Type D (eccentric collar shaft locking)
- Chrome alloy steel
- Superagriseal unit
- Prelubricated with lithium / calcium grease
- Can be relubricated.

### • Closed unit

Flange without centering ring

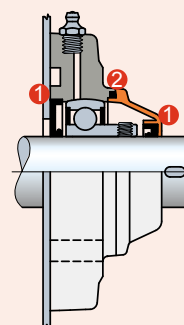


Flange with centering ring

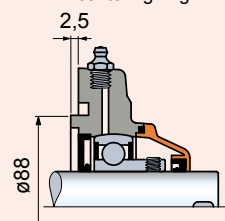


### • Open unit

Flange without centering ring



Flange with centering ring



- 1 Seal.
- 2 O-Ring.

dia. d mm	Flange	Series	Housing material		Dimensions in mm										Bore in frame <sup>1)</sup> Df		Bearing	Weight Kg	Spare parts Cover orange
			Polyamide PA FV Standard Flange (black) Cover (orange)	Polypropylene PP FV Standard Flange (black) Cover (orange)	e	a	p	s	g	i	z	t	Dg	max.	min.	Code			
<b>Closed unit</b>																			
35	Without centering ring	UCFC 207 C	683921	681802	77,8	137	110	11	26	17,3	40,8	55	72	70	55	Type A	0,75	603772	
	With centering ring	UCFC 207 C	624772	-	77,8	137	110	11	26	17,3	40,8	55	72	-	-	Type A	0,75	603772	
<b>Open unit</b>																			
35	Without centering ring	UCFC 207 C	683931	681812	77,8	137	110	11	26	17,3	40,8	55	72	70	55	Type A	0,75	603792	
	With centering ring	UCFC 207 C	624782	-	77,8	137	110	11	26	17,3	40,8	55	72	-	-	Type A	0,75	603792	

**Item code for order = B0000 + Code**

<sup>1)</sup> = Dimensions Df max / Df min must be respected to ensure positive retention of the seals and to allow air bleeding during lubrication.

Packaging: 6 pieces.

# Round flange bearing units

## UCFC



Accessories

- **Material**  
**PA FV polyamide housing**
  - Housing in reinforced polyamide PA FV resin (black)
  - Ball type nickel plated brass greasing nipple
  - Reinforcing bushings on mounting holes and washers in stainless steel AISI 304.
- **Continuous operating temperature**  
 in air: - 20 to + 60°C.
- **Maximum allowed misalignment: 2°.**
- **Bearing**
  - Type B (grub screws shaft locking, chrome alloy steel, Superagriseal unit plus centrifuging ring)
  - Type C (grub screws shaft locking, stainless steel AISI 420, Superagriseal unit plus rubberised centrifuging ring)
  - Type A (grub screws shaft locking, chrome alloy steel, Superagriseal unit)
  - Prelubricated with lithium / calcium grease
  - Can be relubricated.

### Grub screws shaft locking

#### Version with bearing Type B

The double ring guarantees maximum protection against dust and non-corrosive substances.

#### Version with stainless steel bearing Type C

AISI 420 stainless steel bearing with 2 rubberised rings, provides excellent seal against humidity, steams, liquids, medium corrosive chemical agents. Maximum load ability is inferior.

#### Version with bearing Type A

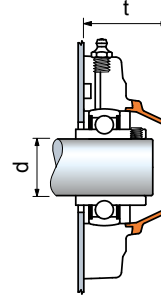
The rubberised ring guarantees maximum protection against dusts.

#### Material

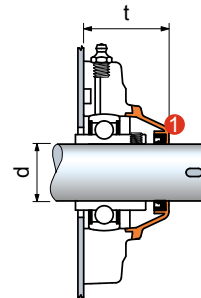
Polyamide PA FV guarantees maximum strength and high-temperature resistance.

### Protection covers (accessories)

#### Closed cover

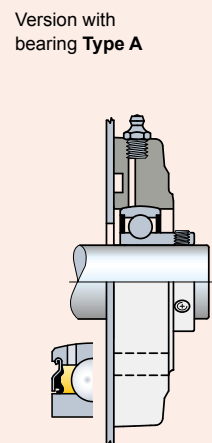
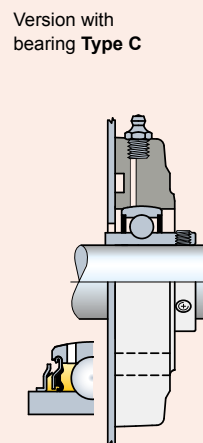
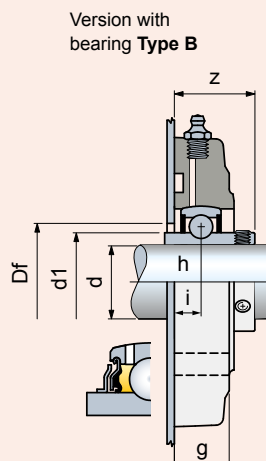
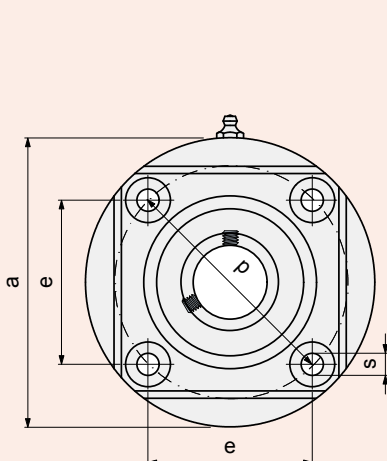


#### Open cover



dia. d mm	Accessories Cover orange	t mm
	Code	
<b>Closed cover supplied without seals</b>		
35	<b>63232</b>	50
<b>Open cover supplied with seals</b>		
35	<b>604042</b>	50

① Seals.



dia. d mm	Series	Housing material	Dimensions in mm										Bore in frame Df mm	Bearing	Weight Kg
		Polyamide PA FV Standard Flange (black) <b>Code</b>	e	a	p	s	g	i	h	z	d1				
<b>Version with bearing Type B</b>															
35	UCFC 207	60752	77,8	137	110	11	26	12,3	17,5	37,7	46,1	50	Type B	0,75	
<b>Version with stainless steel bearing Type C</b>															
35	UCFC 207	646652	77,8	137	110	11	26	12,3	17,5	37,7	46,1	50	Type C	0,75	
<b>Version with bearing Type A</b>															
35	UCFC 207	681822	77,8	137	110	11	26	17,3	17,5	40,8	46,1	50	Type A	0,75	

**Item code for order = B0000 + Code**

Packaging: 6 pieces.



# Round flange bearing units

**FC**



**Waterproof housing**

**Shaft shoulders locking**

High axial load capacity.

**PA FV polyamide housing**

High mechanical and heat resistance. Proof to dust, humidity, washouts, steam, average aggressive chemical agents.

**PP FV polypropylene housing**

Proof to highly aggressive chemical agents. Inferior loading ability.

■ **Material**

**PA FV polyamide housing**

- Housing in reinforced polyamide PA FV resin (black)
- Seal and O-Ring in NBR rubber (black)
- Ball type nickel plated brass greasing nipple
- Reinforcing bushings on mounting holes and washers in stainless steel AISI 304.

**PP FV polypropylene housing**

- Housing in reinforced polypropylene PP FV resin (black)
- Seal and O-Ring in NBR rubber (black).
- On request supplied in Viton rubber (brown).
- Viton material offers high resistance to chemical agents.
- Ball type stainless steel AISI 316 greasing nipple
- Reinforcing bushings on mounting holes and washers in stainless steel AISI 316.

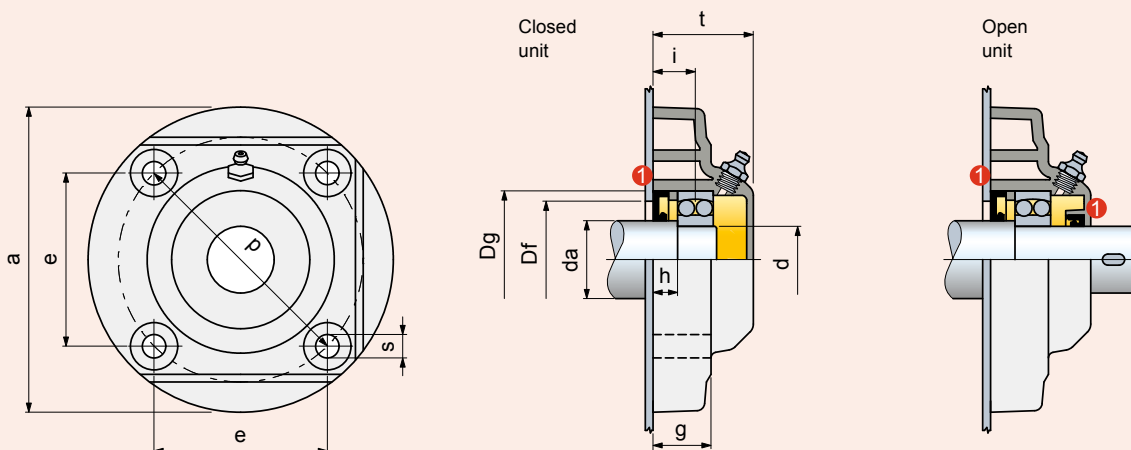
■ **Continuous operating temperature**

in air: - 20 to + 60°C.

■ **Maximum allowed misalignment: 2°.**

■ **Bearing**

- Type 1200 self aligning ball bearing
- Chrome alloy steel
- Supplied without grease
- To be prelubricated with lithium / calcium grease during first installation.



1 Seal.

Shaft dia. da mm	Bearing dia. d mm	Series	Housing material		Dimensions in mm											Bore in frame <sup>1)</sup> Df		Bearing	Weight Kg
			Polyamide PA FV Standard Flange (black)	Polypropylene PP FV Standard Flange (black)	e	a	p	s	g	i	h	t	Dg	max.	min.				
<b>Closed unit</b>																			
35	30	FC 1206	65801	681842	77,8	137	110	11	26	19	11	45	62	60	52	Type 1200	0,57		
<b>Open unit</b>																			
35	30	FC 1206	65891	681852	77,8	137	110	11	26	19	11	45	62	60	52	Type 1200	0,57		

**Item code for order = B0000 + Code**

<sup>1)</sup> = Dimensions Df max / Df min must be respected to ensure positive retention of the seals and to allow air bleeding during lubrication.  
Packaging: 6 pieces.

# Round flange bearing units

## SBF



### Stainless steel AISI 304 flange

### Stainless steel bearing Type C

AISI 420 stainless steel bearing with 2 rubberised rings, provides excellent seal against humidity, steams, liquids, medium corrosive chemical agents.

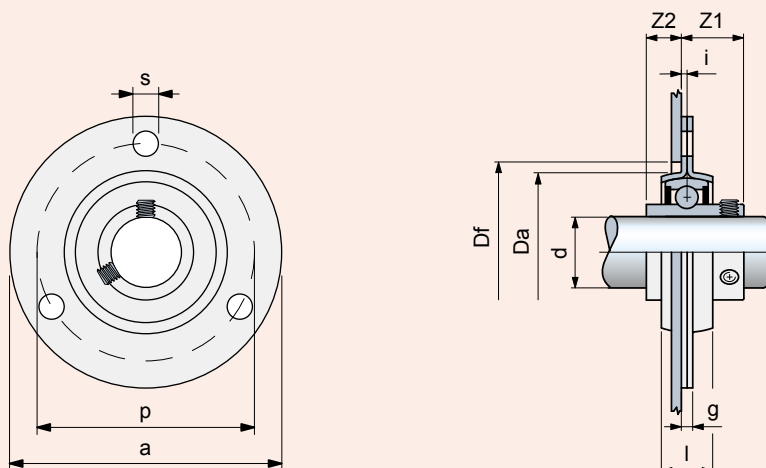
### Load capacity

The pressed steel flanged support is suitable for light duties.

- **Material**  
Pressed stainless steel AISI 304 flanges.
- **Continuous operating temperature**  
in air: - 20 to + 60°C.
- **Maximum allowed misalignment:** 5°.
- **Bearing**



- Type C (grub screws shaft locking)
- stainless steel AISI 420
- Superagriseal unit plus rubberised centrifuging ring
- Prelubricated with lithium / calcium grease
- Can be relubricated.



dia. d mm	Series	Housing material		Dimensions in mm									Bore in frame Df mm	Bearing	Weight Kg
		Stainless Steel AISI 304	Code	p	a	s	g	i	l	Z1	Z2	Da			
25	SBF 205	604562	76	95	8,7	4	2	18	21,8	12,3	56	60	Type C	0,35	

**Item code for order = B0000 + Code**

Packaging: 4 pieces.

 **Best Seller**

 **Standard**

 **On request**

# Spare parts

**UCF/C - SUCF/C - HCF/C - SHCF/C - UCF/CL - SUCF/CL - HCF/CL - SHCF/CL - UCF - SUCF - HCF - SHCF - UCFS/C - SUCFS/C - HCFS/C - SHCFS/C - UCFL/C - SUCFL/C - HCFL/C - SHCFL/C - UCFL/CL - SUCFL/CL - HCFL/CL - SHCFL/CL - UCFL - SUCFL - HCFL - SHCFL - UCFLS/C - SUCFLS/C - HCFLS/C - SHCFLS/C**



dia. d mm	Housing material	
	Polyamide PA FV Standard Flange (black)	Polypropylene PP FV Solid Flange (white)
	Code	
<b>Seal</b>		
17	696152	696152
20	632151	632151
25	608941	608941
30	68416	68416
35	641111	641111
40	632141	632141
40*	603622	603622
45*	686832	686832
50*	686842	686842
<b>Ball type greasing nipple</b>		
	64437	63617

\* = Version with special fixing holes.  
Material: seal in NBR rubber (black).  
Ball type nickel plated brass greasing nipple for PA FV version, ball type stainless steel AISI 316 for PP FV version.

## F - SF - FL - FC



dia. d mm	Housing material	
	Polyamide PA FV Standard Flange (black)	Polypropylene PP FV Standard Flange (black)
	Code	
<b>Seal</b>		
25	603642	603642
30	603662	603662
35	603682	603682
40	603702	603702
45	603722	603722
45*	603742	603742
<b>Ball type greasing nipple</b>		
	64437	63617

\* = Version with special fixing holes.  
Material: seal in NBR rubber (black).  
Ball type nickel plated brass greasing nipple for PA FV version, ball type stainless steel AISI 316 for PP FV version.

**SUCFN/T - SHCFN/T - SUCFN/TL - SHCFN/TL - UCFN/C - SUCFN/C - HCFN/C - SHCFN/C - UCFN/CL - SUCFN/CL - HCFN/CL - SHCFN/CL - UCFN - SUCFN - HCFN - SHCFN - UCFX/T - SUCFX/T - HCFX/T - SHCFX/T - UCFLN/C - SUCFLN/C - HCFLN/C - SHCFLN/C - UCFLN/CL - SUCFLN/CL - HCFLN/CL - SHCFLN/CL - UCFLN - SUCFLN - HCFLN - SHCFLN - UCPA/C - HCPA/C - UCPA - HCPA - UCFC/B - HCFB/C - UCFC - HCFB - UCT/C - HCT/C - UCT - HCT**



dia. d mm	Housing material	
	Polyamide PA FV Standard Flange (black)	Polypropylene PP FV Solid Flange (white)
	Code	
<b>Seal</b>		
17	696152	696152
20	632151	632151
25	608941	608941
30	68416	68416
35	641111	641111
40	632141	632141
<b>Ball type greasing nipple</b>		
	665422	665432

Material: seal in NBR rubber (black).  
Ball type nickel plated brass greasing nipple for PA FV version, ball type stainless steel AISI 316 for PP FV version.

# Technical information

## Bearing unit max. static load

B68

## Bearings

- Bearings with grub screw locking system B72
- Bearings with self locking eccentric collar B72
- Seals B73
- Maximum velocities B73
- Axial load capacities B73
- Self aligning ball bearings, holding by shoulders on shaft B73

## Calculation data

- Definition of bearing dimensions B74
- Calculation method for self-aligning bearings B74
- Life B74
- Life expectation calculation B74
- Equivalent dynamic load calculation B75
- Static load capacity control B76
- Equivalent static load calculation B76

## Lubrication

- Prelubrication B77
- Lubrication grease B77
- Relubrication B77
- Relubrication intervals B77

## Grease life in bearings lubricated for life

- Formula to calculate grease life B78
- Diagram 1 grease nominal life B78
- Diagram 2 correction factor B79
- Example of calculation B79

## Shaft tolerances

- Shaft tolerances for bearings with grub screws or eccentric collar locking system B80
- Shaft tolerances for bearings with shoulders type holding system B80



## Mounting

- Mounting recommendations B81
- Bearing locking by grub screws B81
- Bearing locking by eccentric collar B81
- Installation/removal of covers B81

## Bearing unit max. static load

### SUCFN/T - SHCFN/T - SUCFN/TL - SHCFN/TL





Shaft dia. d mm				
	PA FV N	PP FV N	PA FV N	PP FV N
30	19550	13800	20700	11500
35*	19550	13800	20700	11500
40*	19550	13800	20700	11500

\* = Version with special fixing holes

### UCFN/C - SUCFN/C - HCFN/C - SHCFN/C - UCFU/CL - SUCFU/CL HCFU/CL - SHCFU/CL - UCFN - SUCFN - HCFN - SHCFN





Shaft dia. d mm				
	PA FV N	PP FV N	PA FV N	PP FV N
30	19550	13800	20700	11500
35*	19550	13800	20700	11500
40*	19550	13800	20700	11500

\* = Version with special fixing holes

### UCF/C - SUCF/C - HCF/C - SHCF/C - UCF/CL - SUCF/CL HCF/CL - SHCF/CL - UCF - SUCF - HCF - SHCF





Shaft dia. d mm				
	PA FV N	PP FV N	PA FV N	PP FV N
25	19550	13800	20700	11500
30	19550	13800	20700	11500
35	20700	13800	25300	13800
35*	19550	13800	20700	11500
40	20700	14375	25300	13800
40*	19550	13800	20700	11500
45*	32000	24000	35000	26000
50*	32000	24000	35000	26000

\* = Version with special fixing holes

### UCFS/C - SUCFS/C - HCFS/C - SHCFS/C






Shaft dia. d mm				
	PA FV N	PA FV N	PA FV N	PA FV N
30	20700	25300		
35*	20700	25300		
40*	20700	25300		

\* = Version with special fixing holes

### F - SF



Shaft dia. d mm						
	PA FV N	PP FV N	PA FV N	PP FV N	PA FV N	PP FV N
30	21850	16100	17250	13800	8050	5750
35	21850	16100	17250	13800	18400	10350
40	21850	17250	17250	13800	19550	13800
40*	21850	16100	17250	13800	18400	10350
45	23000	17250	18400	14350	19550	13800
45*	21850	16100	17250	13800	18400	10350

\* = Version with special fixing holes

# Bearing unit max. static load

## UCFLN/C - SUCFLN/C - HCFLN/C - SHCFLN/C UCFLN/CL - SUCFLN/CL - HCFLN/CL - SHCFLN/CL



Shaft dia. d mm				
	PA FV N	PP FV N	PA FV N	PP FV N
17	9775	6325	9775	6900
20*	9775	6325	9775	6900
25*	10925	7475	11500	7475
30	14950	9200	14375	11500
30*	14950	9200	14375	11500

\* = Version with special fixing holes

## UCFLN - SUCFLN - HCFLN - SHCFLN



Shaft dia. d mm				
	PA FV N	PP FV N	PA FV N	PP FV N
17	9775	6325	9775	6900
20*	9775	6325	9775	6900
25*	10925	7475	11500	7475
30	14950	9200	14375	11500
30*	14950	9200	14375	11500

\* = Version with special fixing holes

## UCFL/C - SUCFL/C - HCFL/C - SHCFL/C - UCFL/CL - SUCFL/CL HCFL/CL - SHCFL/CL - UCFL - SUCFL - HCFL - SHCFL



Shaft dia. d mm						
	PA FV N	PP FV N	PA FV N	PP FV N	PA FV N	PP FV N
17	9775	6325	9775	6900		
20	9775	6325	9775	6900		
25	10925	7475	11500	7475		
25*	10925	7475	11500	7475		
30	14950	9200	14375	11500		
30*	14950	9200	14375	11500		
35	14950	9200	13225	10925		
35*	14950	9200	14375	11500		
40	14950	9775	14950	10925		
40*	14950	9200	14375	11500		

\* = Version with special fixing holes

## UCFLS/C - SUCFLS/C - HCFLS/C - SHCFLS/C



Shaft dia. d mm		
	PA FV N	PP FV N
30	14950	14375
35*	14950	13225
40*	14950	14950

\* = Version with special fixing holes

## FL




Shaft dia. d mm						
	PA FV N	PP FV N	PA FV N	PP FV N	PA FV N	PP FV N
25	9200	6900	11500	8625	12650	5750
30	11500	6900	12650	9200	13800	5750
35	11500	9200	12650	9200	9200	4600
40	12650	9200	12650	9200	13800	6900
45	12650	9200	13800	9775	17250	12650



# Bearing unit max. static load




## UCFX/T - SUCFX/T - HCFX/T- SHCFX/T



Shaft dia. d mm		
	PA FV N	PA FV N
30	45000	45000
35	45000	45000
40	45000	45000




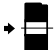
## UCP/C - HCP/C - UCP - HCP



Shaft dia. d mm						
	PA FV N	PP FV N	PA FV N	PP FV N	PA FV N	PP FV N
20	4600	2070	20700	5750	5750	3450
25	6900	2070	20700	5750	6900	3450
30	8050	2300	28750	8050	9200	4600
35	9200	2530	31050	8625	11500	4830
40	9200	2530	31050	8625	11500	4830



## UCPA/C - HCPA/C - UCPA - HCPA



Shaft dia. d mm								
	PA FV N	PP FV N	PA FV N	PP FV N	PA FV N	PP FV N	PA FV N	PP FV N
17	2500	1500	8000	3750	1500	1100	1250	1000
20	2500	1700	6750	4300	2300	1200	1100	750
25	3000	1700	10500	5200	2600	1750	1100	900


## UCFB/C - HCFB/C - UCFB - HCFB



Shaft dia. d mm				
	PA FV N	PP FV N	PA FV N	PP FV N
20	3000	1700	1000	650
25	3500	2000	1000	650
30	3500	2000	1000	650
35	4000	2500	1000	650
40	5200	3000	1000	650

## UCT/C - HCT/C - UCT - HCT





Shaft dia. d mm	
	PA FV N
20	16000
25	24000
30	27000

# Bearing unit max. static load




## UCFC/C - UCFC



Shaft dia. d mm				
	PA N	FV N	PA N	FV N
35	19550	12650	23000	11500

## FC



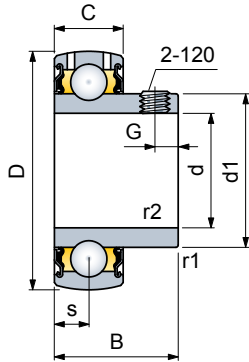
Shaft dia. d mm						
	PA N	FV N	PA N	FV N	PA N	FV N
35	17250	11500	17250	11500	23000	12650

# Bearings

## ■ Bearings with grub screw locking system

Prelubricated with long lasting lithium/calcium grease • Can be rilubricated

Type A



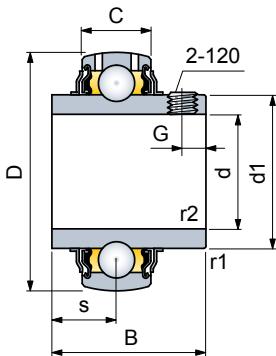
d mm	Dimensions in mm							Load coefficient			Weight Kg
	d1	D	B	C	s	G	r1, r2 min.	Grub screws	dyn. <sup>1)</sup> C N	stat. Co N	
17	24,6	40	22	12	6	4	0,3	M5x0,8	9500	4750	0,07
20	29	47	25	14	7	5	0,6	M6x1	12700	6550	0,11
25	34	52	27	15	7,5	5,5	0,6	M6x1	14000	7800	0,14
30	40,3	62	30	16	8	6	0,6	M6x1	19500	11200	0,23
35	48	72	32	17	8,5	6,5	1	M6x1	25500	15300	0,31
40	53	80	34	18	9	7	1	M8x1	30700	19000	0,43
45	57,2	85	41,2	19	10,2	8,2	1	M8x1	33200	21600	0,48
50	61,8	90	43,5	20	10,9	9,2	1	M8x1	35100	23200	0,54

Chrome alloy steel.

<sup>1)</sup> = Values are valid for applications with ≤ h 6 shaft tolerance.

Time 0.77 values must be considered in all other cases.

Type B



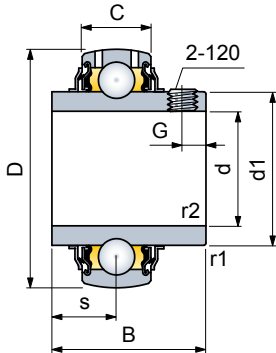
d mm	Dimensions in mm							Load coefficient			Weight Kg
	d1	D	B	C	s	G	r1, r2 min.	Grub screws	dyn. <sup>1)</sup> C N	stat. Co N	
17	24,2	40	27,4	12	11,5	3,5	0,3	M6x0,75	9500	4750	0,09
20	29	47	31	16	12,7	4,7	0,6	M6x1	12700	6550	0,14
25	34	52	34,1	17	14,3	5,5	0,6	M6x1	14000	7800	0,17
30	40,3	62	38,1	19	15,9	5,5	0,6	M6x1	19500	11200	0,28
35	48	72	42,9	20	17,5	6,5	1	M8x1	25500	15300	0,41
40	53	80	49,2	21	19	8	1	M8x1	30700	19000	0,55
45	57,2	85	49,2	22	19	8	1	M8x1	33200	21600	0,60
50	61,8	90	51,6	23	19	9	1	M10x1	35100	23200	0,69

Chrome alloy steel.

<sup>1)</sup> = Values are valid for applications with ≤ h 6 shaft tolerance.

Time 0.77 values must be considered in all other cases.

Type C stainless steel



d mm	Dimensions in mm							Load coefficient			Weight Kg
	d1	D	B	C	s	G	r1, r2 min.	Grub screws	dyn. <sup>1)</sup> C N	stat. Co N	
20	29	47	31	17	12,7	5	0,6	M6x1	10800	6550	0,14
25	34	52	34,1	17	14,3	5	0,6	M6x1	11900	7800	0,18
30	40,3	62	38,1	19	15,9	6	0,6	M6x1	16250	11200	0,29
35	48	72	42,9	20	17,5	6	1	M6x1	21600	15300	0,42
40	53	80	49,2	21	19	8	1	M8x1	26000	19000	0,56

Stainless steel AISI 420.

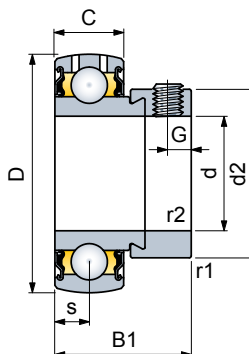
<sup>1)</sup> = Values are valid for applications with ≤ h 6 shaft tolerance.

Time 0.77 values must be considered in all other cases.

## ■ Bearings with self locking eccentric collar

Prelubricated with long lasting lithium/calcium grease • Can be rilubricated • Higher resistance to vibrations • Suitable for single directional travel (cannot reverse the sense of rotation) • Locking of the bearing is achieved by rotating the eccentric collar. The grub screw holds the collar and avoids rotation.

Type D



d mm	Dimensions in mm							Load coefficient			Weight Kg
	d2	D	B1	C	s	G	r1, r2 min.	Grub screws	dyn. <sup>1)</sup> C N	stat. Co N	
17	28,6	40	28,6	12	6,5	4,75	0,3	M6x0,75	9500	4750	0,10
20	33,3	47	30,9	14	7,5	5	0,6	M6x1	12700	6550	0,16
25	38,1	52	30,9	15	7,5	5	0,6	M6x1	14000	7800	0,18
30	44,5	62	35,7	16	9	6	0,6	M6x1	19500	11200	0,30
35	51,9	72	38,9	17	9,5	6,5	1	M8x1	25500	15300	0,49
40	60,3	80	43,7	18	11	6,5	1	M8x1	30700	19000	0,62
45	63,5	85	43,7	19	11	6,5	1	M8x1	33200	21600	0,65
50	69,9	90	43,7	20	11	6,5	1	M8x1	35100	23200	0,70

Chrome alloy steel.

<sup>1)</sup> = Values are valid for applications with ≤ h 6 shaft tolerance.

Time 0.77 values must be considered in all other cases.

# Bearings

## Seals

**Type A - D.** The system consists of a metallic ring fitted with a low friction rubber sealing lip.

**Type B.** The system is further equipped with a metallic protection ring providing a centrifugal sealing action.

**Type C inox.** The upper lip of the centrifuging ring together with the grease trapped between the base seal and the ring it self guarantees maximum sealing capacity.

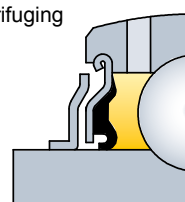
Type A - D

Metal ring with sealing lip



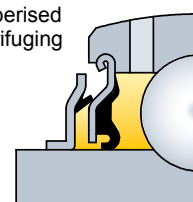
Type B

Centrifuging ring



Type C Inox

Rubberised centrifuging ring



## Maximum velocities

The table indicates the values for **A, D, B** series bearings • Stainless steel bearings of the **C** Type (rubberised centrifuging ring) must not be operated at velocities in excess of 60% of the values indicated • The maximum velocity is dependant of the shaft tolerances. Higher tolerances require lower speed

Int. dia. bearing d mm	Shaft tolerance				
	h6	h7	h8	h9	h11
	Speed (RPM)				
17	9500	6000	4300	1500	950
20	8500	5300	3800	1300	850
25	7000	4500	3200	1000	700
30	6300	4000	2800	900	630
35	5300	3400	2200	750	530
40	4800	3000	1900	670	480
45	4300	2600	1700	600	430
50	4000	2400	1600	560	400

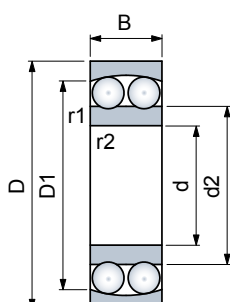
## Axial load capacities

The bearing locking systems by grub screws/eccentric collars, allow axial loads up to 20% of the dynamic load coefficient (only with non hardened shafts and grub screws tightened as recommended) • For bearings of the **A, D, B, C**, series it is not recommended to exceed the value of: 0,25•C

## Self aligning ball bearing holding by shoulders on shaft

The bearings have double row of balls running on a spherical outer race This configuration renders the bearing self aligning • The bearings are supplied without sealing units • They are held into position by shoulders on the shaft.

### Type 1200



d mm	Bearing type	Dimensions in mm					Load coefficient		Revolutions RPM	Weight Kg
		D	B	d2	D1	r1, r2 min.	dyn. C N	stat. Co N		
20	1204	47	14	28,9	41	1	12700	3400	15000	0,12
25	1205	52	15	33,3	45,6	1	14300	4000	13000	0,14
30	1206	62	16	40,1	53	1	15600	4650	10000	0,22
35	1207	72	17	47	62,3	1,1	19000	6000	9000	0,32
40	1208	80	18	53,6	68,8	1,1	19900	6950	8500	0,42

# Calculation data

## ■ Bearing dimensioning

The bearing dimensions, for a given application, should be chosen on the basis of the loads to be supported, expected service life and reliability. In most cases the reason for choosing a bearing is the fact that the shaft has already been sized during the design of the plant.

## ■ Calculation procedures for self-aligning bearings

The calculation procedure for self-aligning bearings consists in ensuring a satisfactory operating life of the unit:

- 1) The nominal service life is calculated using the formulas indicated below, keeping in mind the type of stress on the bearing (dynamic or static).
- 2) The nominal life of the bearing should reflect the expected service life of the plant as indicated in Table 1 hereunder.

## ■ Service life

The dimensioning of the bearing requires the knowledge of the appropriate life expectancy of the project in relation to the specific application. This depends on the type of plant, daily/yearly working hours and on the required reliability. In the absence of practical experience Table 1 gives our recommendations of the average expected plant life under various conditions.

**Table 1** - Recommended plant expected life  $L_{10h}$  for MB support bearings

Plant type	Plant expected life $L_{10h}$ hours
Seasonal Operation plants	4000 ÷ 8000
Daily operated plant, 8 hours/day, not completely utilised	10000 ÷ 20000
Daily operated plant, 8 hours/day, completely utilised	20000 ÷ 30000
Daily operated plant, 24 hours/day	40000 ÷ 80000

### Dynamically stressed bearings

Bearings which rotate under load are considered dynamically stressed (one ring of the bearing makes one full rotation against the other). In most cases, self-aligning supports are dynamically stressed.

## ■ Expected life calculation formula

The service life of a bearing is expressed in the number of revolutions or hours of operations which can be expected without breakdown (erosion or laminations of the bearing revolving parts).

The calculating procedure for nominal duration is valid whatever the type of bearing:

$$L_{10} = \left(\frac{C}{P}\right)^3 \text{ Life in Millions revolutions.}$$

When bearings rotate at constant speed it is more practical to calculate the life in number of hours:

$$L_{10h} = \frac{1666}{n} \cdot \left(\frac{C}{P}\right)^3 \text{ Life in hours.}$$

$L_{10}$  = life in millions of revolutions.

$L_{10h}$  = life in hours.

$C$  = dynamic load coefficient (N). Values are indicated in the support dimensional tables.

$P$  = equivalent dynamic load (N). See calculation formula on Table 2.

$n$  = revolutions (RPM).

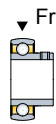
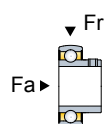
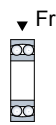
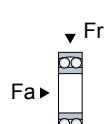
## ■ Correct expected life

In the majority of cases, for self aligning MB bearings, it is sufficient to calculate  $L_{10}$ ,  $L_{10h}$  using the formula indicated above. The new theory of life calculation permits to establish the correct life expectancy keeping into consideration the effects of lubrication, pollution of solid particles and of the fatigue limit load  $P_u$  (values are reported in the bearing tables). The calculation of the correct expected life requires therefore the assistance of the technical commercial staff.

# Calculation data

## Equivalent dynamic load P calculation

**Table 2** - Equivalent dynamic load P calculation

Bearing Type	Load direction on the bearing	Equivalent dynamic load P (N) calculation formula
A B C D		$P = Fr$
		$P = X \cdot Fr + Y \cdot Fa$
1200		$P = Fr$
		$P = Fr + Y1 \cdot Fa$ with $\frac{Fa}{Fr} \leq e1$ $P = 0,65 \cdot Fr + Y2 \cdot Fa$ with $\frac{Fa}{Fr} > e1$

- P** = equivalent dynamic load (N).
- Fr** = radial load acting on the bearing (N).
- Fa** = axial load acting on the bearing (N).
- x, Y** = load factors. See Table 3.
- e1, Y1, Y2** = factors. See Table 4.

**Table 3** - Load factors x, y

Ratio $\frac{Fa}{Co}$	e	With: $\frac{Fa}{Fr} \leq e$		With: $\frac{Fa}{Fr} > e$	
		x	y	x	y
0,025	0,22	1	0	0,56	2
0,04	0,24	1	0	0,56	1,8
0,07	0,27	1	0	0,56	1,6
0,13	0,31	1	0	0,56	1,4
0,25	0,37	1	0	0,56	1,2
0,5	0,44	1	0	0,56	1

**Table 4** - Factors e1, Y1, Y2, Yo

Int. dia. bearing mm	e1	Y1	Y2	Yo
20	0,30	2,1	3,3	2,2
25	0,28	2,2	3,5	2,5
30	0,25	2,5	3,9	2,5
35	0,23	2,7	4,2	2,8
40	0,22	2,9	4,5	2,8

Co = Static load coefficient (N).  
The values are indicated in the support dimensional tables.

## Operating conditions coefficients

It should be common practice to include operational factors when calculating bearing dimensions to allow for load variations which may happen during running of the plant. The coefficients given here under are indicative only and are based on actual operational experience.

- With steady loads/light impacts: multiply the equivalent dynamic load P by: 1,2 ÷ 1,5
- With loads and medium impacts: multiply the equivalent dynamic load P by: 1,7 ÷ 2,0

# Calculation data

## Static load capacity control

### Statically stressed bearings

- In rolling-contact bearing technology the condition of static load is considered to exist when:
- The bearing does not rotate and is subjected to permanent loads or intermittent ones (impacts).
  - The bearing is subjected to loads and slow oscillating movements.
  - The bearing rotates under load at a very low speed and for short periods.
  - The bearing rotates under load and must withstand strong impacts acting in the course of one revolution.

The static safety coefficient  $f_s$  must not exceed the recommended values given in Table 5 in order to obtain a satisfactory performance of the bearings. Coefficient  $f_s$  gives the safety margin against excessive permanent deformation of the revolving parts of the bearing.

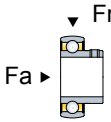
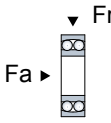
$$f_s = \frac{C_o}{P_o}$$

$f_s$  = static safety coefficient.  
 $C_o$  = static load coefficient (N). The values are given in the support dimensional tables.  
 $P_o$  = equivalent static load (N). See calculation formula given below.

**Table 5** - Static safety coefficient  $f_s$  for MB bearings

Type of operation	Revolving bearings			Non revolving bearings
	Noise level not important	Normal noise level operation	Low noise level operation	
Smooth operation without vibration	5	1	2	0,4
Normal operation	0,5	1	2	0,5
Impact loads operation	$\geq 1,5$	$\geq 1,5$	$\geq 2$	$\geq 1$

## Equivalent static load $P_o$ calculation

Bearing type	Load direction on the bearing	Equivalent dynamic load P (N) calculation formula
A B C D		$P_o = 0,6 \cdot Fr + 0,5 \cdot Fa$ If $P_o < Fr$ , then assume $P_o = Fr$ .
1200		$P_o = Fr + Y_o \cdot Fa$

- $P_o$  = equivalent static load (N).  
 $Fr$  = radial load on the bearing (N).  
 $Fa$  = axial load on the bearing (N).  
 $Y_o$  = see table 4.

# Lubrication

## ■ Prelubrication

All self-aligning bearings are supplied factory lubricated.

### Warning

The first lubrication must be carried out only for bearings of the series FL - F - FC held by the shaft shoulders.

## ■ Lubricating grease

Bearings are prelubricated with long lasting lithium/calcium grease.

Technical data	NLGI consistency:	2
	Emulsifier:	lithium/calcium
	Base oil:	mineral
	Base oil viscosity:	165 mm <sup>2</sup> /s at 40°C
	Operating temperature:	- 20°C to +120°C
	Water resistance:	Recommended
	Antioxidant properties:	Recommended

## ■ Relubrication

All self-aligning bearing units are equipped with a grease nipple of the ball type to allow periodical relubrication of the bearing.

### Warning

- Do not grease at first assembly.
- The first lubrication must be carried out only for bearings of the series FL - F - FC held by the shaft shoulders.
- Stainless steel pressed metal supports of the series SBF are not relubricatable.
- Use only grease of same characteristics as indicated.
- Clean greasing nipple before each greasing operation.
- Inject grease slowly until it comes out from the bearing.  
Keep the bearing rotating and do not apply excessive pressure which could damage the sealing units.
- More frequent greasing operations with smaller quantities of grease are to be preferred.

## ■ Relubrication intervals

Relubrication intervals vary according to actual operating conditions. Very often during operation, load, speed, temperature and ambient conditions (humidity, dust) may vary making it difficult to establish exact rules. Experience once again gives the best answer:

- Light operating conditions: relubricate every 6 months.
- Normal operating conditions: relubricate every 1÷3 months.
- Heavy operating conditions: relubricate every 2 weeks.



# Grease life in bearings lubricated for life

(dry use recommended)

■ **Formula to calculate grease life in bearings lubricated for life**

This procedure allows to calculate the grease life as a function of its quality and bearing type, dimension, rotating speed, applied loads and working temperature.

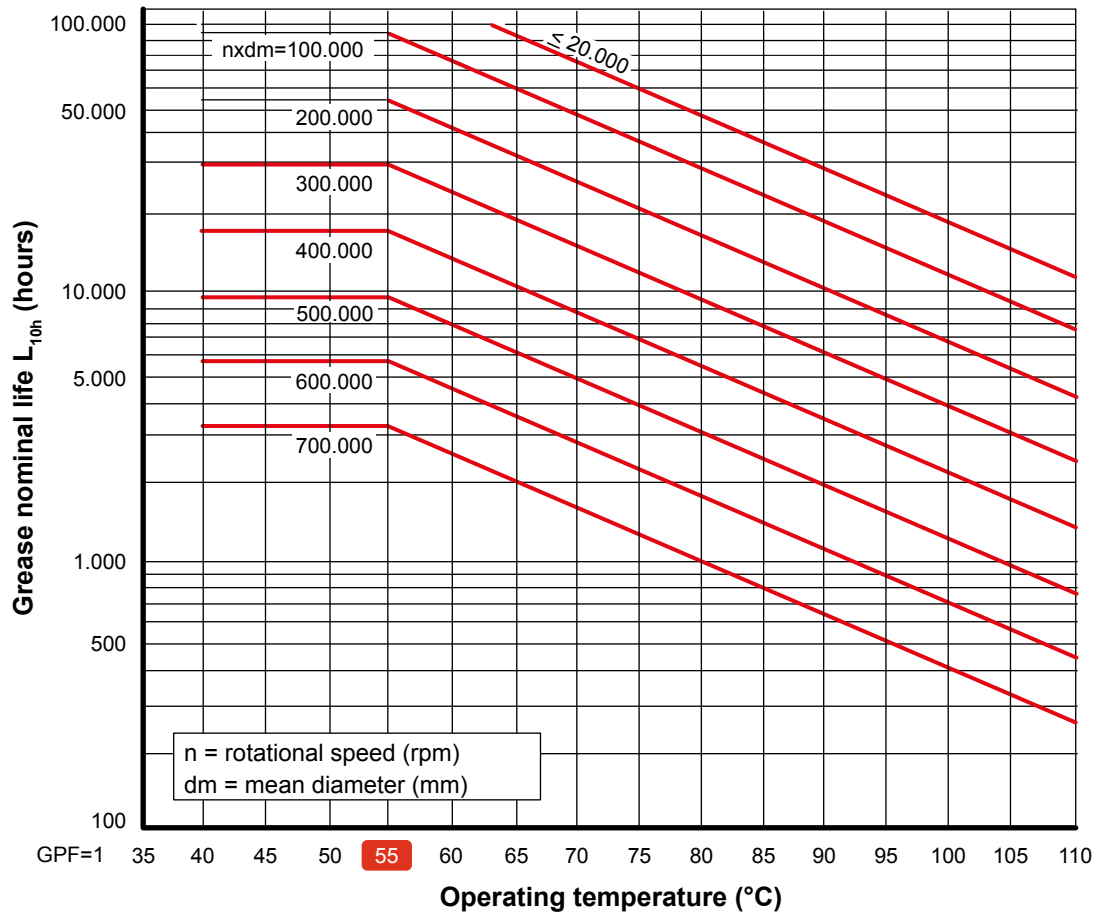
$$L_h = L_{10} \times F_c \text{ Grease life (hours)}$$

- $L_h$  = Grease life (hours).
- $L_{10h}$  = Grease nominal life (hours). See Diagram 1.
- $F_c$  = Correction factor. See Diagram 2.

■ **Diagram 1**

- Grease nominal life  $L_{10h}$

This diagram allows to determine the nominal grease life  $L_{10h}$  (hours), as a function of rotating speed  $n$  (rpm), mean diameter  $dm$  (mm), bearing working temperature ( $^{\circ}C$ ). Greases are classified by a factor GPF (Grease Performance Factor), related to their temperature performance. In this table we consider a grease with GPF = 1, which is the grease used in all Marbett LifeLube bearings.



**dm (mm) = mean diameter.**

**Type A**

**Type D**

dia. d mm	dia. dm mm
17	28,5
20	33,5
25	38,5
30	46
35	53,5
40	60
45	65
50	70

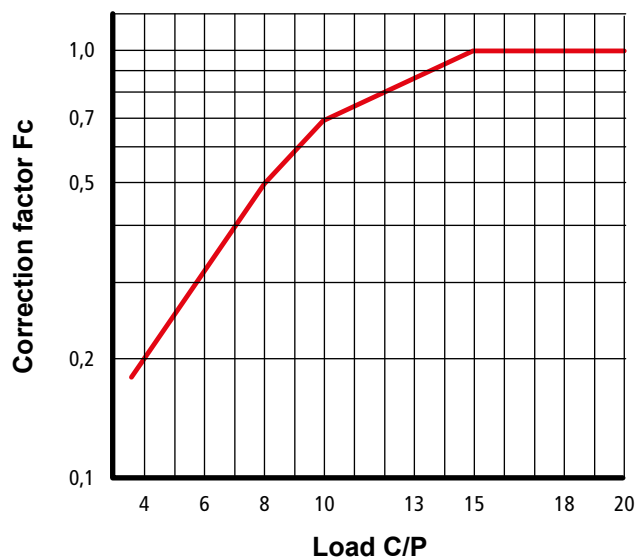
**55** = At room temperature, with normal working conditions, the grease works at a temperature lower than 55°C.

# Grease life in bearings lubricated for life

(dry use recommended)

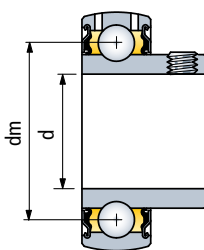
■ **Diagram 2 - Correction factor Fc**

The corrective factor Fc, keeps into consideration the influence of load applied on bearings as a function of load ratio C/P. With low loads ( $C/P \geq 15$ ) the duration of the grease is not influenced by load values.



**C** = Dynamic load coefficient (N).  
Values are indicated in the bearings dimensional tables.  
**P** = Equivalent dynamic load (N).  
See Table 2.

■ **Example of calculation**

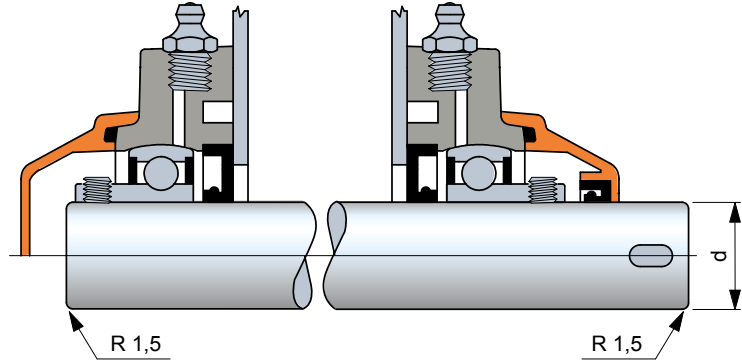


- Data:
- Bearing Type **A**.
  - $d = 40$  mm (shaft dia.).
  - $dm = 60$  mm. (bearing mean dia.).
  - $n = 300$  rpm. (rotational speed).
  - $55$  °C (grease operating temperature).
  - $C = 23600$  N (Dynamic load coefficient).
  - $P = 3000$  N (equivalent dynamic load).
- From Diagram 1, as a function of:  
 $n \times dm = 300 \text{ rpm} \times 60 \text{ mm} = 18000$   
we read a nominal grease life of:  
 $L_{10h} = 100000$  hours.
  - From Diagram 2, as a function of:  
 $C/P = 23600 \text{ N} : 3000 \text{ N} = 7,8$   
we read a corrective factor of:  
 $F_c = 0,5$ .
  - Calculation of estimated grease life:  
 $L_h = L_{10h} \times F_c = 100000 \text{ hours} \times 0,5 = 50000 \text{ hours}$ .

# Shaft tolerances

**Tolerances for grub screws/ eccentric collar locked bearings**

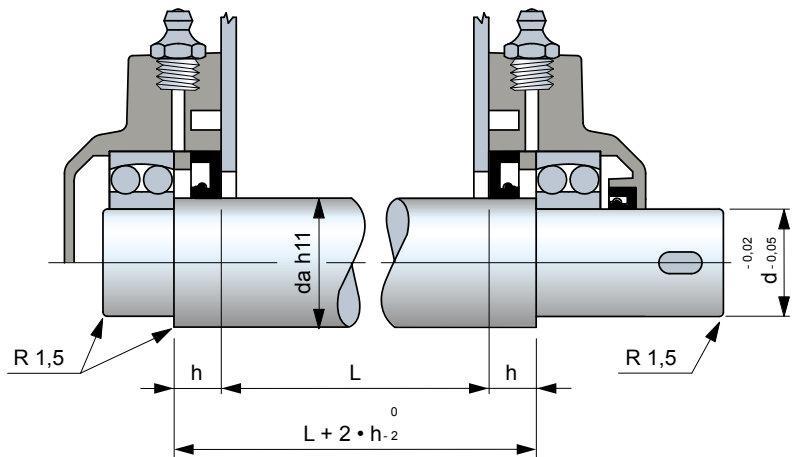
- The tables indicate shaft diameter tolerances.
- Shaft ends must be rounded off in order to:
  - ease assembly and avoid bearing jamming.
  - avoid damages to the rubber parts of the sealing units.
- The shaft surface for the portion in contact with the sealing gaskets must be smooth and free of defects (scratches etc.).



**ISO shaft tolerance**

Shaft dia. d mm	Heavy loads High speed		Normal operation		Light loads Low speed		Simple applications					
	h 6		h 7		h 8		h 9		h 10		h 11	
	plus	min.	plus	min.	plus	min.	plus	min.	plus	min.	plus	min.
17	0	-11	0	-18	0	-27	0	-43	0	-70	0	-110
20 ÷ 30	0	-13	0	-21	0	-33	0	-52	0	-84	0	-130
35 ÷ 50	0	-16	0	-25	0	-39	0	-62	0	-100	0	-160

Tolerances in  $\mu\text{m}$



h values are given in the support dimensional tables

**Tolerances for shaft shoulders locked bearings**

- Shaft ends must be rounded off in order to:
  - ease assembly and avoid bearing jamming.
  - avoid damages to the rubber parts of the sealing units.
- The shaft surface for the portion in contact with the sealing gaskets must be smooth and free of defects (scratches etc.).
- The mounting shaft/bearing is free to facilitate assembly. For heavy radial loads conditions it is recommended a slightly tight mounting.

# Mounting

## ■ Assembly instructions

1 - With waterproof bearings the rubber sealing units must be greased before mounting to avoid initial dry running on the shaft. The grease must fill only the space in between the two sealing lips.

2 - The bearing must be locked onto the shaft after the support mounting flange has been fully tightened. This is necessary to allow the bearing to assume its correct alignment on the shaft without undue axial stresses. Always tighten the screws diagonally.



## ■ Locking of the bearing by grub screws

3 - The table gives the recommended maximum tightening couples for the grub screws and the size of the hexagonal to use.



Int. dia. bearing mm	Sc. driver size mm			Max. tightening couple Nm		
	Bearings A A C		Bearings D	Bearings A A C		Bearings D
	A	A C	D	A	A C	D
17	2,5	3	3	3,5	4	4
20	3	3	3	4	4	4
25	3	3	3	4	4	4
30	3	3	3	4	4	4
35	3	4	4	4	6,5	6,5
40	4	4	4	6,5	6,5	6,5
45	4	4	4	6,5	6,5	6,5
50	4	5	4	6,5	16,5	6,5

## ■ Locking of the bearings by eccentric collar

4 - Tighten the collar by turning it with a punch in the same direction as the rotation of the shaft.

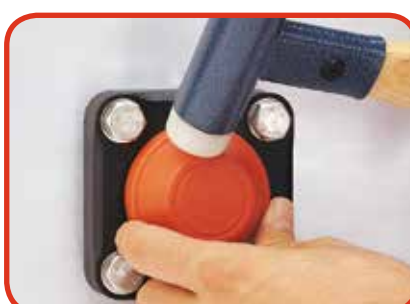
5 - Hand tighten the grub screw. The screw driver dimension and the tightening couple are given in the table above (Ref. D series bearings).



## ■ Assembly / removal of the protection cover

6 - Assembly. The sealing unit of open end covers must be greased to avoid initial dry running on the shaft. The grease must fill only the space in between the two sealing lips.

7 - Removal. Insert a screw driver into the groove provided for and force the cover out.





Resistance against chemical agents	POLYAMIDE PA	POLYPROPYLENE PP	POLYETHYLENE PE	ACETAL POM	AISI 303 AISI 304	AISI 316	NICKEL PLATED BRASS	NBR RUBBER	VITON RUBBER
	Conc.% 23°C	Conc.% 23°C	Conc.% 23°C	Conc.% 23°C	Conc.% 23°C	Conc.% 23°C	Conc.% 23°C	Conc.% 23°C	Conc.% 23°C
PHENOL	-	+			10 +	+		-	+
PHOSFORIC ACID	10 -	85 +	95 +	10 -	10 -	50 /	-	20 /	85 +
POTASSIUM HYDROXIDE	10 +				50 +	50 +		/	+
SEA WATER	+	+	+	/	+	+	+	+	+
SILICONE OIL	+	+						+	+
SILVER NITRATE	+	20 +			60 /			/	+
SOAP AND WATER	+	+	+	+	+			+	
SODIUM CARBONATE	10 +	Sat. +	+	+	5 +	100 +		+	+
SODIUM CHLORIDE	10 +	Sat. +	+	+	5 +	/	+	+	Sat. +
SODIUM HYDROXIDE	10 +	30 +	+	10 +	-		+	/	
SODIUM HYPOCHLORITE	+	20 +	+	-	-			-	5 +
SODIUM SILICATE	+				100 +	100 +		+	
SODIUM SULPHATE	10 +	Sat. +	+	+	5 +	100 +		+	+
SOFT DRINKS	+	+	+	+	+		+	+	
SUDS	+	+						+	+
SULPHURIC ACID	10 -	98 +	40 /	40 -	10 -	100 +	+	-	95 +
TARTARIC ACID	+	10 +	+	30 /	10 +	50 +	-	+	+
TETRALINE	+	-						-	+
TINCTURE OF IODINE	-	+	+	+			-	/	
TRANSFORMER OIL	+	/						+	+
TRICHLORETHYLENE	/	/	+	-	+		+	-	+
TURPENTINE	/	-	-	-	+			-	
VASELINE	+	+	/	+				+	+
VEGETABLE JUICES	+	+	+	+	+			+	
VEGETABLE OILS	+	+	+	+	+			+	
VINEGAR	+	+	+	+	+		+	/	-
WHISKY	+	+	+	+	+		+	+	+
WINE	+	+	+	+	+		+	+	+
XILOL	+	-	/	+	+		/	-	+
ZINC CHLORIDE	10 /	20 +			10 -	/		+	Sat. +

Abbreviations: Sat. = saturated.

## Legend..

- + = Good resistance.
- / = Fairly good resistance (limited use depending on working conditions).
- = Poor resistance (not recommended).
- N.B. Where tests have not been carried out the spaces are left blank.

## The data shown in this table..

are taken from laboratory tests, performed on unstrained test samples. It should be considered as purely indicative since material behaviour under real working conditions depends on different factors: temperature, concentration of the chemical agent, quick or long-lasting effect of the chemical agent.

## Operating temperatures

		Operating temperatures (°C)		
		contact with air		contact with hot water
Material	Description	Min	Max	Max
PA	Polyamid	0	+ 80	+ 65
PA FV	Reinforced polyamid	- 5	+ 120	+ 100
PP	Polypropylene	+ 5	+ 105	+ 105
PP FV	Reinforced polypropylene	+ 5	+ 115	+ 115
PE (UHMWPE)	Polyethylene	- 40	+ 80	+ 70
POM	Acetal	- 40	+ 80	+ 65
Rex-LF®	Acetal	- 40	+ 80	+ 65
AISI 303 - AISI 304	Austenitic stainless steel (18/8)	- 70	+ 430	+ 120
Fe Zn	Zinc plated steel	- 40	+ 180	-
OT	Nickel plated brass	- 40	+ 180	+ 120

	Page.		Page.		Page.		Page.
Part. S0010	S140	Part. S0174Q	S167	Part. S0298	S135	Part. S0422	S012-S062
Part. S0016	S208	Part. S0174R	S166	Part. S0302	S197	Part. S0437	S129
Part. S0018	S217	Part. S0179	S046	Part. S0303	S197	Part. R0441	R40
Part. S0019	S217	Part. R0180	R56	Part. S0308	S054	Part. S0446	S119
Part. S0020	S208	Part. S0182	S198	Part. S0310	S023	Part. S0451	S129
Part. S0021	S208	Part. S0183	S198	Part. S0317	S056	Part. S0454	S182
Part. R0031	R49	Part. S0184	S134	Part. R0323	R18-R19	Part. S0455	S209
Part. S0050	S132	Part. S0185	S200	Part. S0336	S154	Part. S0478	S129
Part. R0055	R54	Part. R0187	R55	Part. S0337	S194	Part. R0479	R22-R23
Part. S0061	S152	Part. S0190	S134	Part. S0338	S155	Part. S0518	S193
Part. S0063	S209	Part. S0191	S068	Part. S0339	S168	Part. S0523	S041-S042
Part. S0070	S130	Part. S0192	S150	Part. S0340	S166	Part. S0524	S040
Part. S0071	S130	Part. S0198	S174	Part. S0341	S190	Part. R0528	R50
Part. S0072	S139	Part. S0199	S172	Part. S0341C	S191	Part. R0529	R51
Part. S0073	S030	Part. S0210	S118	Part. S0342	S190	Part. S0533	S043
Part. S0075	S214	Part. S0210P	S118	Part. S0346	S058	Part. S0535	S081
Part. S0076	S208	Part. S0211	S119	Part. R0349	R40	Part. S0537	S081
Part. S0079	S214	Part. S0213	S120	Part. S0356	S023	Part. S0539	S065
Part. S0081	S138	Part. S0214	S125	Part. S0359	S148	Part. S0540	S146
Part. S0082	S128	Part. S0215	S027-S123	Part. S0362	S007	Part. S0545	S153
Part. S0082B	S128	Part. S0216	S027-S123	Part. S0363	S209	Part. S0550	S018
Part. S0082P	S128	Part. S0217	S124	Part. S0366	S014	Part. S0551	S020
Part. S0085	S140	Part. S0218	S117	Part. S0367	S014	Part. R0552	R10-R11
Part. S0088	S138	Part. S0219	S057	Part. S0368	S015	Part. S0554	S036
Part. S0089	S139	Part. S0223	S025	Part. S0369	S062	Part. S0555	S038
Part. R0094	R16-R17	Part. R0224	R57	Part. S0370	S012-S062	Part. S0556	S036
Part. S0095	S209	Part. S0226	S154	Part. S0371	S017	Part. S0557	S074-S076
Part. S0097	S140	Part. S0227	S151	Part. S0372	S192	Part. S0559	S016
Part. R0098	R14-R15	Part. S0233	S056-S116	Part. S0373	S136	Part. S0560	S034
Part. S0107	S141	Part. S0236	S126	Part. S0376	S068	Part. S0561	S034
Part. S0107S	S147	Part. S0237	S126	Part. S0377	S068	Part. S0562	S180
Part. S0111	S127	Part. S0241	S003	Part. S0378	S069	Part. S0563	S180
Part. S0112	S216	Part. S0242	S009	Part. S0379	S069	Part. S0564	S181
Part. S0114	S216	Part. S0243	S003	Part. R0383	R52	Part. S0565	S046
Part. S0116	S127	Part. S0244	S006	Part. R0384	R52	Part. S0566	S047
Part. S0124	S179	Part. S0247	S057	Part. R0385	R52	Part. S0567	S206
Part. S0125	S030-S031	Part. S0251	S005	Part. S0386	S002	Part. S0568	S207
Part. S0126	S030	Part. S0255	S148	Part. S0387	S008	Part. S0569	S207
Part. S0128	S114-S115	Part. S0256	S149	Part. S0388	S031	Part. S0570	S075-S077
Part. S0128S	S114	Part. S0260	S194-S195	Part. S0393	S055	Part. S0580	S074-S076
Part. R0133	R20-R21	Part. S0261	S005	Part. S0396	S012	Part. S0581	S070-S072
Part. R0134	R26	Part. S0262	S002	Part. R0399	R52	Part. S0585	S070-S072
Part. S0137	S182	Part. S0263	S009	Part. R0403	R50	Part. S0586	S071-S073
Part. S0140	S142	Part. R0269	R08-R09	Part. R0406	R51	Part. S0592	S047
Part. S0142	S152	Part. S0272	S196	Part. R0408	R41	Part. S0594	S051
Part. S0153	S029	Part. S0273	S061	Part. S0415	S183	Part. S0595	S168
Part. S0159	S129	Part. S0274	S025	Part. S0416	S183	Part. S0596	S055
Part. S0168	S173	Part. S0275	S028-S119	Part. S0417	S181	Part. S0599	S141
Part. R0169	R25	Part. S0280	S175	Part. S0418	S184	Part. R0600	R48
Part. R0173	R12-R13	Part. S0296	S068	Part. S0419	S184	Part. S0605	S066-S067
Part. S0174	S166	Part. R0297	R27	Part. S0421	S031	Part. S0606	S066-S067

	Page.		Page.		Page.		Page.
Part. S0611	S177	Part. S0678	S156	Part. R0748	R42	Part. S0834	S048
Part. S0612	S212-S213	Part. S0679	S156	Part. R0748F	R43	Part. S0835	S050
Part. S0613	S037	Part. S0680	S157	Part. R0749	R42	Part. S0837	S218
Part. S0614	S037	Part. S0681	S157	Part. R0750	R44	Part. S0838	S048
Part. S0615	S176	Part. S0682	S158	Part. R0750F	R45	Part. S0839	S050
Part. S0616	S179	Part. S0683	S159	Part. R0750S	R46	Part. S0840	S006
Part. S0617	S142	Part. S0684	S159	Part. R0750S	R47	Part. S0846	S202
Part. S0618	S177	Part. S0685	S185	Part. R0751	R44	Part. S0847	S202
Part. S0619	S178	Part. S0686	S188	Part. R0751F	R45	Part. S0848	S203
Part. S0621	S017	Part. S0687	S188	Part. R0751S	R46	Part. S0849	S203
Part. R0622	R32-R33	Part. S0688	S189	Part. R0751S	R47	Part. S0850	S204
Part. R0623	R34-R35	Part. S0689	S189	Part. R0752	R44	Part. S0852	S103
Part. S0624	S039	Part. S0690	S185	Part. R0752S	R46	Part. S0854	S103
Part. S0625	S199	Part. S0691	S163	Part. S0754	S091-S093	Part. S0856	S094-S096
Part. R0626	R28-R29	Part. S0692	S162	Part. S0755	S083-S085	Part. S0857	S095-S097
Part. R0627	R30-R31	Part. S0694	S124	Part. S0756	S090-S092	Part. S0858	S016
Part. R0628	R36-R37	Part. S0698	S131	Part. S0757	S082-S084	Part. S0862	S149
Part. S0628S	S080	Part. S0699	S161	Part. S0758	S038	Part. S0864	S204
Part. R0629	R38-R39	Part. R0701	R53	Part. S0759	S104-S105	Part. S0868	S086-S088
Part. S0632	S143	Part. R0702	R53	Part. S0760	S104-S105	Part. S0869	S087-S089
Part. S0633	S170	Part. R0703	R53	Part. S0763	S165	Part. R0869	R24
Part. S0634	S010	Part. S0704	S160	Part. S0764	S024	Part. S0870	S106
Part. S0635	S144	Part. S0705	S160	Part. S0765	S023-S061	Part. S0871	S107
Part. S0636	S144	Part. S0706	S187	Part. S0766	S024	Part. S0872	S108
Part. S0637	S145	Part. S0707	S186	Part. S0767	S022-S060	Part. S0873	S109
Part. S0638	S145	Part. S0708	S137	Part. S0768	S022-S060	Part. S0874	S110
Part. S0639	S063	Part. S0709	S173	Part. S0769	S059	Part. S0875	S111
Part. S0640	S063	Part. S0715	S052	Part. S0770	S059	Part. S0876	S112
Part. S0641	S063	Part. S0716	S052	Part. S0771	S049	Part. S0877	S113
Part. S0642	S064	Part. S0717	S052	Part. S0775	S199	Part. S0884	S013
Part. S0643	S064	Part. S0718	S161	Part. S0776	S049	Part. S0885	S013-S015
Part. S0644	S065	Part. S0721	S078	Part. S0777	S101	Part. S0886	S013-S015
Part. S0645	S065	Part. S0725	S153	Part. S0778	S038	Part. S0902	S026-S125
Part. S0646	S133	Part. R0726	R24-R25-R27	Part. S0782	S035	Part. S0903	S026-S123
Part. S0647	S133	Part. S0727	S032	Part. S0783	S035	Part. S0905	S210-S211
Part. S0654	S051	Part. S0728	S032	Part. S0784	S007	Part. F	B22
Part. S0655	S171	Part. S0729	S040	Part. S0786	S169	Part. FC	B62
Part. S0656	S098-S099	Part. S0730	S079	Part. S0787	S035	Part. FL	B40
Part. S0657	S039	Part. S0732	S164	Part. S0788	S102	Part. HCF	B18
Part. S0661	S164	Part. S0733	S078	Part. S0789	S053	Part. HCF/C	B14
Part. S0662	S131	Part. S0734	S201	Part. S0794	S106-S108-S110-S112	Part. HCF/CL	B16
Part. S0663	S163	Part. S0736	S121	Part. S0814	S010	Part. HCFB	B52
Part. S0666	S215	Part. S0737	S121	Part. S0822	S004	Part. HCFB/C	B50
Part. S0667	S215	Part. S0738	S121	Part. S0823	S053	Part. HCFL	B36
Part. S0668	S215	Part. S0739	S122	Part. S0824	S008	Part. HCFL/C	B32
Part. S0669	S019	Part. S0739P	S122	Part. S0825	S004	Part. HCFL/CL	B34
Part. S0671	S201	Part. S0740	S122	Part. S0826	S033	Part. HCFLN	B30
Part. S0672	S206	Part. S0740P	S122	Part. S0827	S033	Part. HCFLN/C	B26
Part. S0674	S011	Part. S0742	S011	Part. S0829	S101	Part. HCFLN/CL	B28
Part. S0676	S132	Part. R0747	R42	Part. S0832	S053	Part. HCFLS/C	B38
Part. S0677	S158	Part. R0747F	R43	Part. S0833	S021	Part. HCFN	B12



	Page.		Page.
Part. HCFN/C	B08	Part. UCFC	B60
Part. HCFN/CL	B10	Part. UCFC/C	B58
Part. HCFS/C	B20	Part. UCFL	B36
Part. HCFX/T	B24	Part. UCFL/C	B32
Part. HCP	B44	Part. UCFL/CL	B34
Part. HCP/C	B42	Part. UCFLN	B30
Part. HCPA	B48	Part. UCFLN/C	B26
Part. HCPA/C	B46	Part. UCFLN/CL	B28
Part. HCT	B56	Part. UCFLS/C	B38
Part. HCT/C	B54	Part. UCFN	B12
Part. SBF	B64	Part. UCFN/C	B08
Part. SF	B22	Part. UCFN/CL	B10
Part. SHCF	B18	Part. UCFS/C	B20
Part. SHCF/C	B14	Part. UCFX/T	B24
Part. SHCF/CL	B16	Part. UCP	B44
Part. SHCFL	B36	Part. UCP/C	B42
Part. SHCFL/C	B32	Part. UCPA	B48
Part. SHCFL/CL	B34	Part. UCPA/C	B46
Part. SHCFLN	B30	Part. UCT	B56
Part. SHCFLN/C	B26	Part. UCT/C	B54
Part. SHCFLN/CL	B28		
Part. SHCFLS/C	B38		
Part. SHCFN	B12		
Part. SHCFN/C	B08		
Part. SHCFN/CL	B10		
Part. SHCFN/T	B04		
Part. SHCFN/TL	B06		
Part. SHCFS/C	B20		
Part. SHCFX/T	B24		
Part. SUCF	B18		
Part. SUCF/C	B14		
Part. SUCF/CL	B16		
Part. SUCFL	B36		
Part. SUCFL/C	B32		
Part. SUCFL/CL	B34		
Part. SUCFLN	B30		
Part. SUCFLN/C	B26		
Part. SUCFLN/CL	B28		
Part. SUCFLS/C	B38		
Part. SUCFN	B12		
Part. SUCFN/C	B08		
Part. SUCFN/CL	B10		
Part. SUCFN/T	B04		
Part. SUCFN/TL	B06		
Part. SUCFS/C	B20		
Part. SUCFX/T	B24		
Part. UCF	B18		
Part. UCF/C	B14		
Part. UCF/CL	B16		
Part. UCFB	B52		
Part. UCFB/C	B50		

## Why Choose Rexnord?

When it comes to providing highly engineered products that improve productivity and efficiency for industrial applications worldwide, Rexnord is the most reliable in the industry. Commitment to customer satisfaction and superior value extend across every business function.

### Delivering Lowest Total Cost of Ownership

The highest quality products are designed to help prevent equipment downtime and increase productivity and dependable operation.

### Valuable Expertise

An extensive product offering is accompanied by global sales specialists, customer service and maintenance support teams, available anytime.

### Solutions to Enhance Ease of Doing Business

Commitment to operational excellence ensures the right products at the right place at the right time.

# REXNORD

## Rexnord Company Overview

Rexnord is a growth-oriented, multi-platform industrial company with leading market shares and highly trusted brands that serve a diverse array of global end markets.

## Process & Motion Control

The Rexnord Process & Motion Control platform designs, manufactures, markets and services specified, highly engineered mechanical components used within complex systems where our customers' reliability requirements and the cost of failure or downtime are extremely high.

## Water Management

The Rexnord Water Management platform designs, procures, manufactures and markets products that provide and enhance water quality, safety, flow control and conservation.