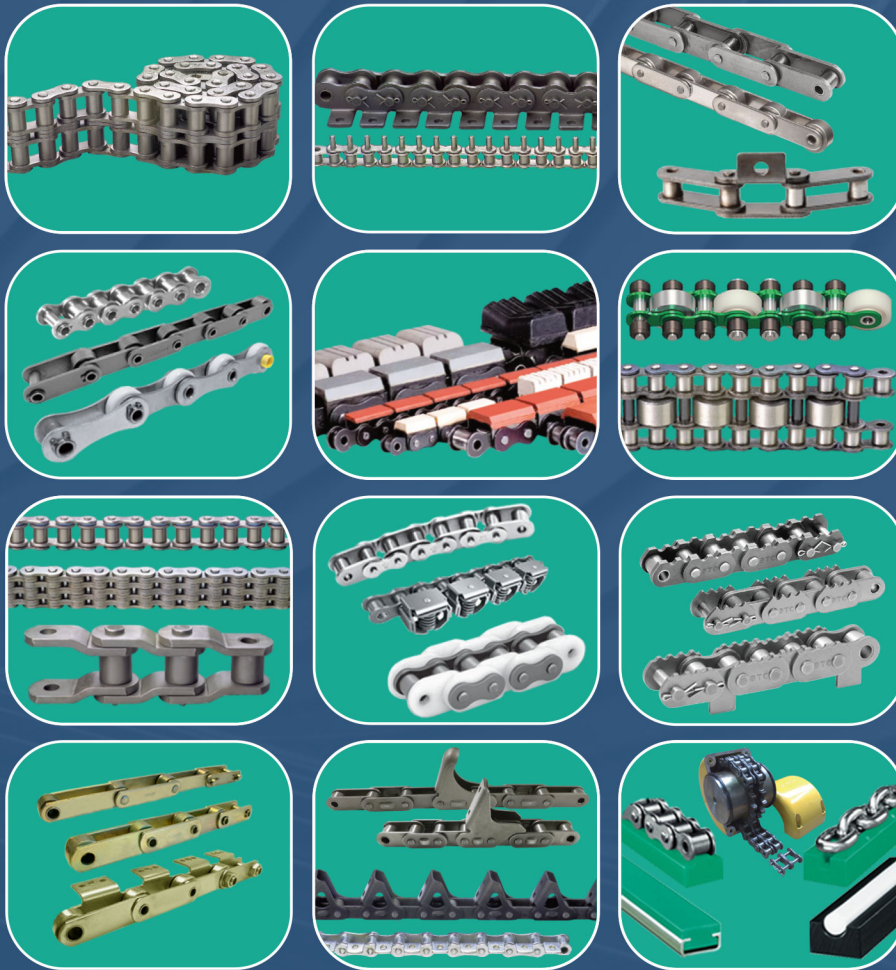




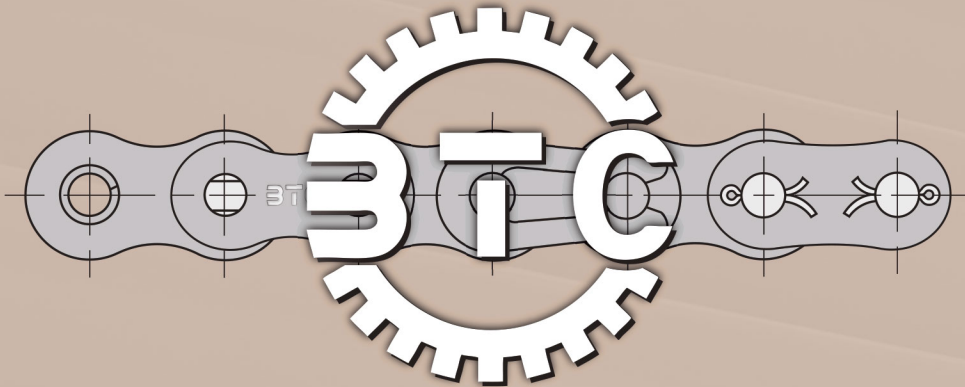
A - Transmission Roller Chains



2020



Quality Chain





A - Transmission roller chains

| | |
|--|----------|
| • Chain parts & connecting parts | A2 - A3 |
| • Roller chain European standard DIN 8187 - ISO606 | A4 - A8 |
| • Roller chain American standard DIN 8188 - ISO606 | A9 - A14 |
| • Super heavy duty roller chains DIN 8188 - HSP | A15 |
| • Self-lubrication roller chains - DIN 8187 / 8188 - SLR | A16 |
| • Zinc plated roller chains - ZP | A17 |
| • Nickel plated roller chains - NP | A18 |
| • Special corrosion coated roller chains - DR | A19 |
| • Different types of slides and guides | A20 |

| | |
|--|-----------|
| • Roller chains with special attachments | A21 - A29 |
| • Roller chains with extended pins | A30 |
| • Double pitch roller chains standard and with attachments | A31 - A37 |

| | |
|--|-----------|
| • Stainless steel roller chains DIN 8187 / 8188 - ISO 606 - SS | A38 - A39 |
| • Double pitch stainless steel chains - SS | A40 - A41 |

| | |
|-------------------------------------|-----------|
| • Hollow pin bushing chains | A42 - A43 |
| • Hollow pin roller chains | A44 - A45 |
| • Hollow pin stainless steel chains | A46 - A47 |

| | |
|--|-----------|
| • Vulcanised (elastomer) roller chains | A48 - A50 |
| • Roller chains with U-type attachments | A51 |
| • Side bow chains | A52 |
| • Bushing chains DIN 8164 | A53 |
| • Lock chains (Gall type) DIN 8150 / 8151 | A54 - A55 |
| • Hoisting rollerless chain DIN 8188 - ISO 606 | A56 |
| • Accumulation roller chains | A57 - A58 |
| • O-ring chains and P.I.V. chains | A59 |
| • Rotary chains | A60 - A61 |
| • Snap-on chains | A62 |
| • Gripper chains | A63 |



| | |
|--|-----------|
| • Sharp top chains (European & American standard) | A64 - A67 |
| • Plastic attachment roller chains DIN 8187 / DIN 8188 | A68 |
| • Lumber conveyor chains for wood industry | A69 |

| | |
|--|-----------|
| • Conveyor chains - DIN 8165 type FV / FVH / FVT | A70 - A73 |
| • Conveyor chains - DIN 8167 type M / MT | A74 - A77 |
| • Solid pin and hollow pin conveyor chains type GH / GH HP | A78 - A80 |

| | |
|--|-----------|
| • Leaf chain (DIN 8152) LL (F) - LH (BL) - AL | A81 - A86 |
| • Connecting pins - Endplates type IEG & AEG - Fastening blocks | A87 - A91 |
| • Tightener bolts & blocks for roller chains DIN 8187 / DIN 8188 | A92 |

| | |
|--|------------|
| • Agricultural chains type S - CA - 38,4 | A93 - A102 |
|--|------------|

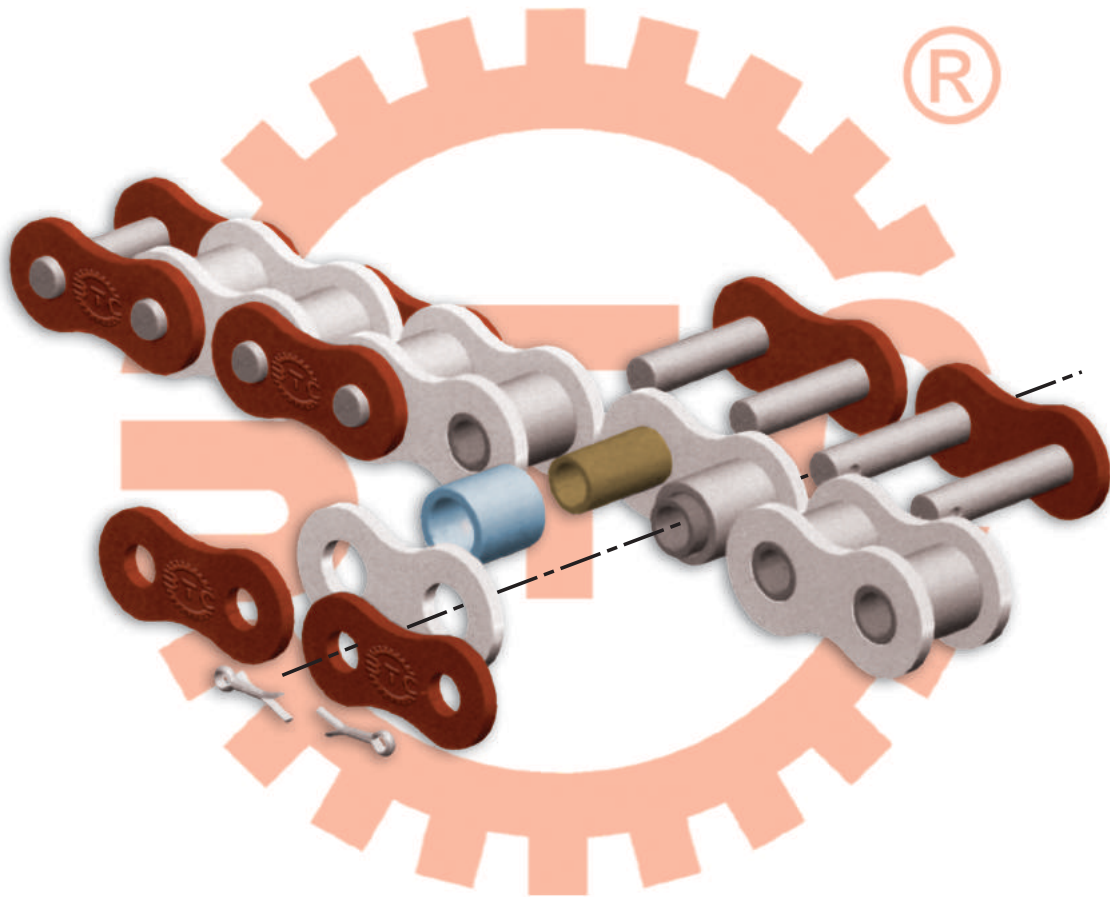
| | |
|---|-------------|
| • Chain couplings type RC40 - RC120 | A103 - A104 |
| • Torque limiter couplings type LC-1 / LC-2 | A105 - A106 |
| • Chain tools, lubrication, etc... | A107 - A108 |
| • Technical information | A109 - A112 |

| | |
|-------------|-------------|
| • Murtfeldt | A113 - A144 |
|-------------|-------------|



Roller chain structures

ROLLER CHAINS



Better Technology Chains



Chain parts and connecting parts of roller chains



RL
Roller link or inner link



RCL
Pin link
Press-fit



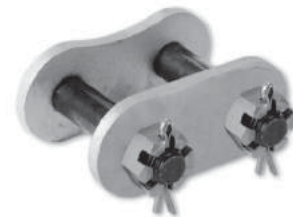
SP
Sideplate
Press-fit or slip-fit



SCL
Connecting link with spring clip, Slip-fit



CCL
Connecting link with cotter, Slip-fit



CCLM
Screwed connecting link



OL
One-pitch offset link with cotter



OLRL
Two-pitch offset link



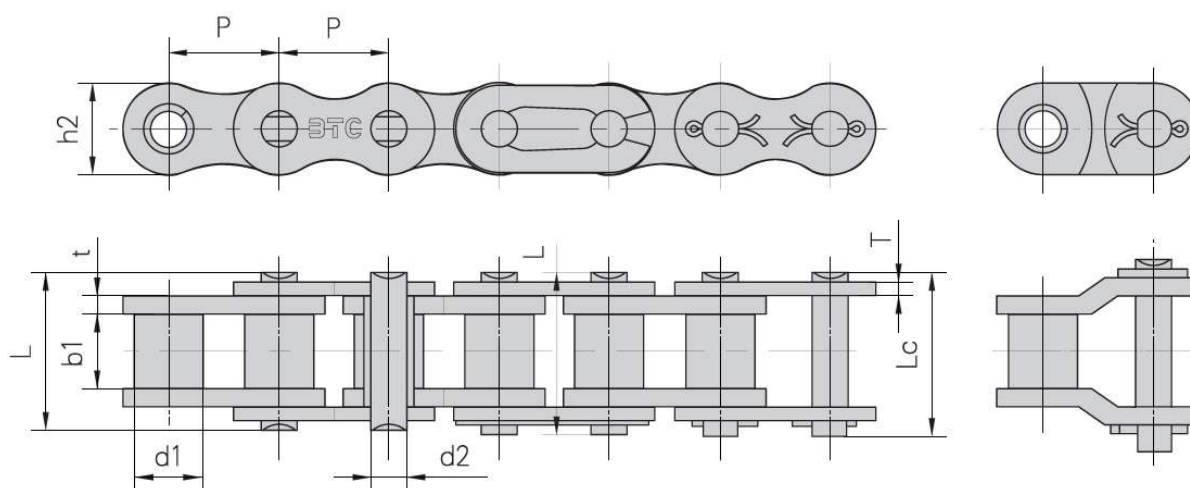
OLM
Screwed offset link



High precision roller chains DIN 8187

ISO 606 - European standard

Simplex



| ISO ref. | Pitch | Roller diameter | Width between inner plates | Pin diameter | Pin length | | Inner plate depth | Plate thickness | Ultimate tensile strength | Average tensile strength | Weight per meter |
|----------|--------|-----------------|----------------------------|--------------|------------|--------|-------------------|-----------------|---------------------------|--------------------------|------------------|
| | | | | | L | Lc | | | | | |
| | | | | | max | max | | | | | |
| | P | d1 max | b1 min | d2 max | L max | Lc max | h2 max | t/T max | Q min | Q0 | q |
| | mm | mm | mm | mm | mm | mm | mm | mm | kN/LB | kN | kg/m |
| 03-1 | 5,00 | 3,20 | 2,50 | 1,49 | 6,8 | 7,80 | 4,10 | 0,80 | 2,2/500 | 2,4 | 0,08 |
| 04-1 | 6,00 | 4,00 | 2,80 | 1,85 | 6,8 | 7,80 | 5,00 | 0,60 | 3,0/682 | 3,2 | 0,11 |
| 05B-1 | 8,00 | 5,00 | 3,00 | 2,31 | 8,2 | 8,90 | 7,10 | 0,80 | 5,0/1136 | 5,9 | 0,20 |
| *06B-1 | 9,525 | 6,35 | 5,72 | 3,28 | 13,2 | 14,10 | 8,20 | 1,30 | 9,0/2045 | 10,4 | 0,41 |
| 08B-1 | 12,70 | 8,51 | 7,75 | 4,45 | 16,7 | 18,20 | 11,80 | 1,60 | 18,0/4091 | 19,4 | 0,69 |
| 10B-1 | 15,875 | 10,16 | 9,65 | 5,08 | 19,5 | 20,90 | 14,70 | 1,70 | 22,4/5091 | 27,5 | 0,93 |
| 12B-1 | 19,05 | 12,07 | 11,68 | 5,72 | 22,5 | 24,20 | 16,00 | 1,85 | 29,0/6591 | 32,2 | 1,15 |
| 16B-1 | 25,40 | 15,88 | 17,02 | 8,28 | 36,1 | 37,40 | 21,00 | 4,15/3,1 | 60,0/13636 | 72,8 | 2,71 |
| 20B-1 | 31,75 | 19,05 | 19,56 | 10,19 | 41,3 | 45,00 | 26,40 | 4,5/3,5 | 95,0/21591 | 106,7 | 3,70 |
| 24B-1 | 38,10 | 25,40 | 25,40 | 14,63 | 53,4 | 57,80 | 33,20 | 6,0/4,8 | 160,0/36364 | 178,0 | 7,10 |
| 28B-1 | 44,45 | 27,94 | 30,99 | 15,90 | 65,1 | 69,50 | 36,70 | 7,5/6,0 | 200,0/45455 | 222,0 | 8,50 |
| 32B-1 | 50,80 | 29,21 | 30,99 | 17,81 | 66,0 | 71,00 | 42,00 | 7,0/6,0 | 250,0/56818 | 277,5 | 10,25 |
| 40B-1 | 63,50 | 39,37 | 38,10 | 22,89 | 82,2 | 89,20 | 52,96 | 8,5/8,0 | 355,0/80682 | 394,0 | 16,35 |
| 48B-1 | 76,20 | 48,26 | 45,72 | 29,24 | 99,1 | 107,00 | 63,80 | 12,0/10,0 | 560,0/127272 | 621,6 | 25,00 |
| 56B-1 | 88,90 | 53,98 | 53,34 | 34,32 | 114,6 | 123,00 | 77,80 | 13,5/12,0 | 850,0/193180 | 940,0 | 35,78 |
| 64B-1 | 101,60 | 63,50 | 60,96 | 39,40 | 130,0 | 138,50 | 90,17 | 15,0/13,0 | 112,0/254544 | 1240,0 | 46,00 |
| 72B-1 | 114,30 | 72,39 | 68,58 | 44,48 | 147,4 | 156,40 | 103,60 | 17,0/15,0 | 1400,0/318180 | 1550,0 | 60,80 |

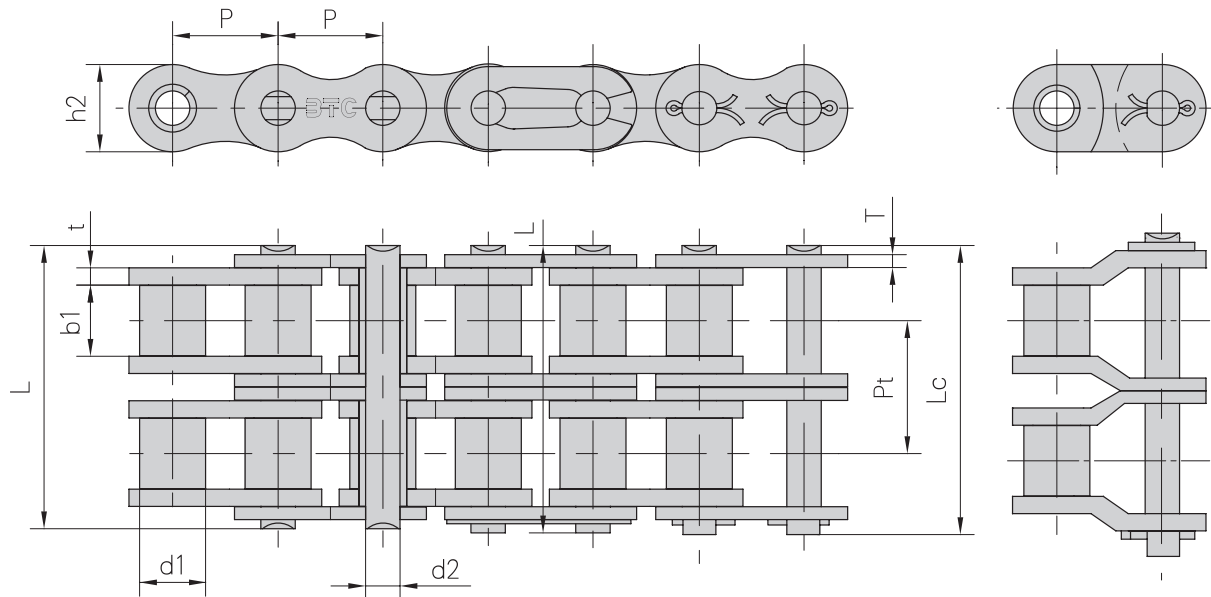
* Straight side plates



High precision roller chains DIN 8187 ISO 606 - European standard

Duplex

ROLLER CHAINS



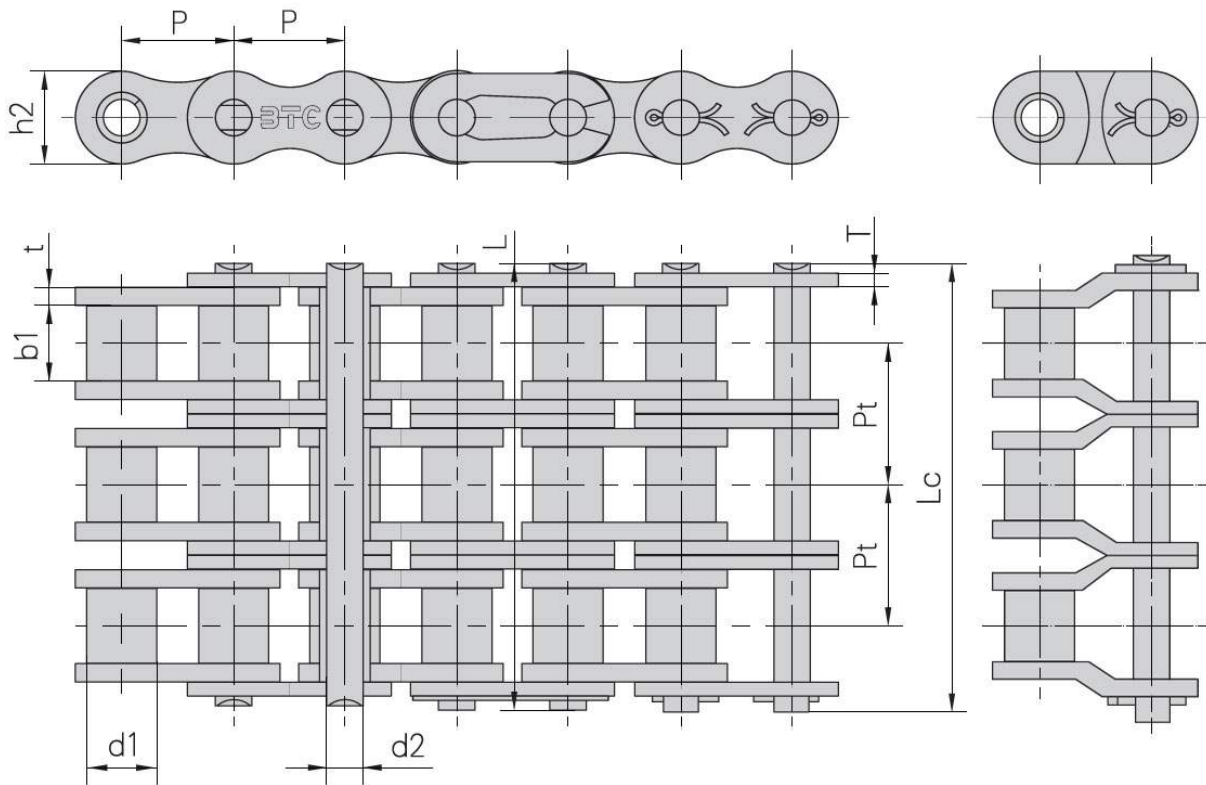
| ISO ref. | Pitch | Roller diameter | Width between inner plates | Pin diameter | Pin length | | Inner plate depth | Plate thickness | Transverse pitch | Ultimate tensile strength | Average tensile strength | Weight per meter |
|----------|--------|-----------------|----------------------------|--------------|------------|--------|-------------------|-----------------|------------------|---------------------------|--------------------------|------------------|
| | P | d1 max | b1 min | d2 max | L max | Lc max | h2 max | t/T max | Pt | Q min | Q0 | q |
| | mm | mm | mm | mm | mm | mm | mm | mm | mm | kN/LB | kN | kg/m |
| 04-2 | 6,00 | 4,00 | 2,80 | 1,85 | 10,5 | 12,80 | 5,00 | 0,60 | 5,50 | 5,5/1250 | 7,1 | 0,23 |
| 05B-2 | 8,00 | 5,00 | 3,00 | 2,31 | 13,9 | 14,50 | 7,10 | 0,80 | 5,64 | 7,8/1773 | 10,2 | 0,33 |
| * 06B-2 | 9,525 | 6,35 | 5,72 | 3,28 | 23,4 | 24,40 | 8,20 | 1,30 | 10,24 | 16,9/3841 | 18,7 | 0,77 |
| 08B-2 | 12,70 | 8,51 | 7,75 | 4,45 | 31,2 | 32,20 | 11,80 | 1,60 | 13,92 | 44,5/10114 | 38,7 | 1,34 |
| 10B-2 | 15,875 | 10,16 | 9,65 | 5,08 | 36,1 | 37,50 | 14,70 | 1,70 | 16,59 | 57,8/13136 | 56,2 | 1,84 |
| 12B-2 | 19,05 | 12,07 | 11,68 | 5,72 | 42,0 | 43,60 | 16,00 | 1,85 | 19,46 | 106,0/24091 | 66,1 | 2,31 |
| 16B-2 | 25,40 | 15,88 | 17,02 | 8,28 | 68,0 | 69,30 | 21,00 | 4,15/3,1 | 31,88 | 170,0/38636 | 133,0 | 5,42 |
| 20B-2 | 31,75 | 19,05 | 19,56 | 10,19 | 77,8 | 81,50 | 26,40 | 4,5/3,5 | 36,45 | 280,0/63636 | 211,2 | 7,20 |
| 24B-2 | 38,10 | 25,40 | 25,40 | 14,63 | 101,7 | 106,20 | 33,20 | 6,0/4,8 | 48,36 | 360,0/81818 | 319,2 | 13,40 |
| 28B-2 | 44,45 | 27,94 | 30,99 | 15,90 | 124,6 | 129,10 | 36,70 | 7,5/6,0 | 59,56 | 450,0/102273 | 406,8 | 16,60 |
| 32B-2 | 50,80 | 29,21 | 30,99 | 17,81 | 124,6 | 129,60 | 42,00 | 7,0/6,0 | 58,55 | 630,0/143182 | 508,5 | 21,00 |
| 40B-2 | 63,50 | 39,37 | 38,10 | 22,89 | 154,5 | 161,50 | 52,96 | 8,5/8,0 | 72,29 | 1000,0/227272 | 711,9 | 32,00 |
| 48B-2 | 76,20 | 48,26 | 45,72 | 29,24 | 190,4 | 198,20 | 63,80 | 12,0/10,0 | 91,21 | 1600,0/363635 | 1130,0 | 50,00 |
| 56B-2 | 88,90 | 53,98 | 53,34 | 34,32 | 221,2 | 229,60 | 77,80 | 13,5/12,0 | 106,60 | 2000,0/454544 | 1760,0 | 71,48 |
| 64B-2 | 101,60 | 63,50 | 60,96 | 39,40 | 249,9 | 258,40 | 90,17 | 15,0/13,0 | 119,89 | 2500,0/568180 | 2200,0 | 91,00 |
| 72B-2 | 114,30 | 72,39 | 68,58 | 44,48 | 283,7 | 292,70 | 103,60 | 17,0/15,0 | 136,27 | 32,0/7273 | 2750,0 | 120,40 |

* Straight side plates



High precision roller chains DIN 8187 ISO 606 - European standard

Triplex



| ISO ref. | Pitch | Roller diameter | Width between inner plates | Pin diameter | Pin length | | Inner plate depth | Plate thickness | Transverse pitch | Ultimate tensile strength | Average tensile strength | Weight per meter |
|----------|--------|-----------------|----------------------------|--------------|------------|--------|-------------------|-----------------|------------------|---------------------------|--------------------------|------------------|
| | P | d1 max | b1 min | d2 max | L max | Lc max | h2 max | t/T max | Pt | Q min | Q0 | q |
| | mm | mm | mm | mm | mm | mm | mm | mm | mm | kN/LB | kN | kg/m |
| | 05B-3 | 8,00 | 5,00 | 3,00 | 2,31 | 19,5 | 20,20 | 7,10 | 0,80 | 5,64 | 11,1/2523 | 13,8 |
| * 06B-3 | 9,525 | 6,35 | 5,72 | 3,28 | 33,5 | 34,60 | 8,20 | 1,3 | 10,24 | 24,9/5659 | 30,1 | 1,16 |
| 08B-3 | 12,70 | 8,51 | 7,75 | 4,45 | 45,1 | 46,10 | 11,80 | 1,60 | 13,92 | 47,5/10795 | 57,8 | 2,03 |
| 10B-3 | 15,875 | 10,16 | 9,65 | 5,08 | 52,7 | 54,10 | 14,70 | 1,7 | 16,59 | 66,7/15159 | 84,5 | 2,77 |
| 12B-3 | 19,05 | 12,07 | 11,68 | 5,72 | 61,5 | 63,10 | 16,00 | 1,85 | 19,46 | 86,7/19705 | 101,8 | 3,46 |
| 16B-3 | 25,40 | 15,88 | 17,02 | 8,28 | 99,8 | 101,20 | 21,00 | 4,15/3,1 | 31,88 | 160,0/36364 | 203,7 | 8,13 |
| 20B-3 | 31,75 | 19,05 | 19,56 | 10,19 | 114,2 | 117,90 | 26,40 | 4,5/3,5 | 36,45 | 250,0/56818 | 290,0 | 10,82 |
| 24B-3 | 38,10 | 25,40 | 25,40 | 14,63 | 150,1 | 154,60 | 33,20 | 6,0/4,8 | 48,36 | 425,0/96591 | 493,0 | 20,10 |
| 28B-3 | 44,45 | 27,94 | 30,99 | 15,90 | 184,2 | 188,70 | 36,70 | 7,5/6,0 | 59,56 | 530,0/120454 | 609,5 | 24,92 |
| 32B-3 | 50,80 | 29,21 | 30,99 | 17,81 | 183,2 | 188,20 | 42,00 | 7,0/6,0 | 58,55 | 670,0/152273 | 770,5 | 31,56 |
| 40B-3 | 63,50 | 39,37 | 38,10 | 22,89 | 226,8 | 233,80 | 52,96 | 8,5/8,0 | 72,29 | 950,0/215909 | 1092,5 | 48,10 |
| 48B-3 | 76,20 | 48,26 | 45,72 | 29,24 | 281,6 | 289,40 | 63,80 | 12,0/10,0 | 91,21 | 1500,0/340909 | 1710,0 | 75,00 |
| 56B-3 | 88,90 | 53,98 | 53,34 | 34,32 | 327,8 | 336,20 | 77,80 | 13,5/12,0 | 106,60 | 2240,0/545450 | 2240,0 | 107,18 |
| 64B-3 | 101,60 | 63,50 | 60,96 | 39,40 | 369,8 | 378,30 | 90,17 | 15,0/13,0 | 119,89 | 3000,0/681820 | 3300,0 | 136,00 |
| 72B-3 | 114,30 | 72,39 | 68,58 | 44,48 | 420,0 | 429,00 | 103,60 | 17,0/15,0 | 136,27 | 3750,0/852270 | 4125,0 | 180,00 |

* Straight side plates

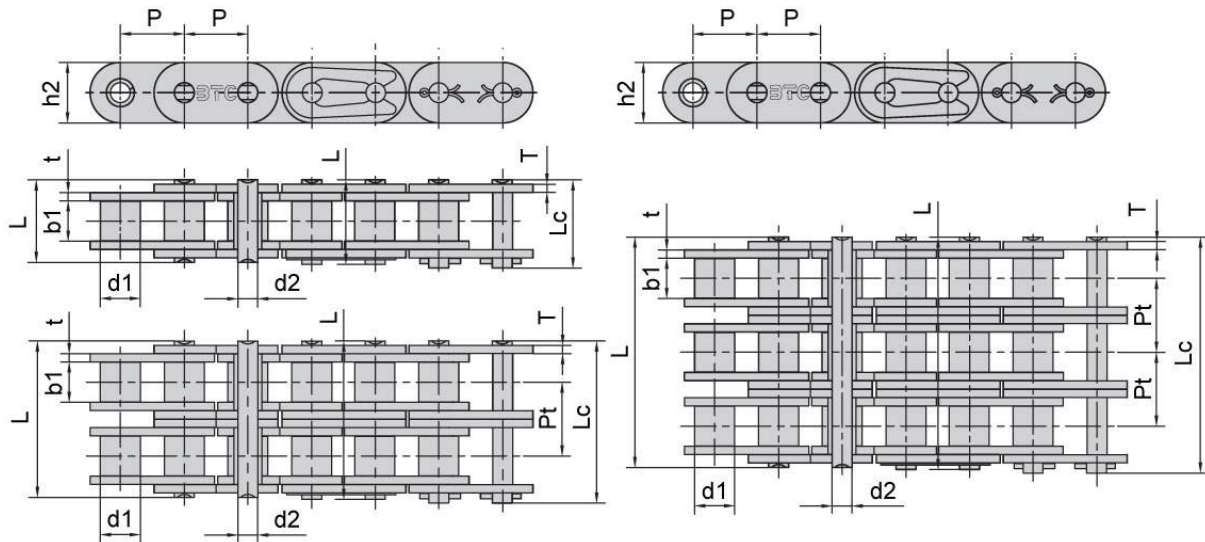


High precision roller chains DIN 8187

ISO 606 - European standard

Simplex, Duplex and Triplex

ROLLER CHAINS



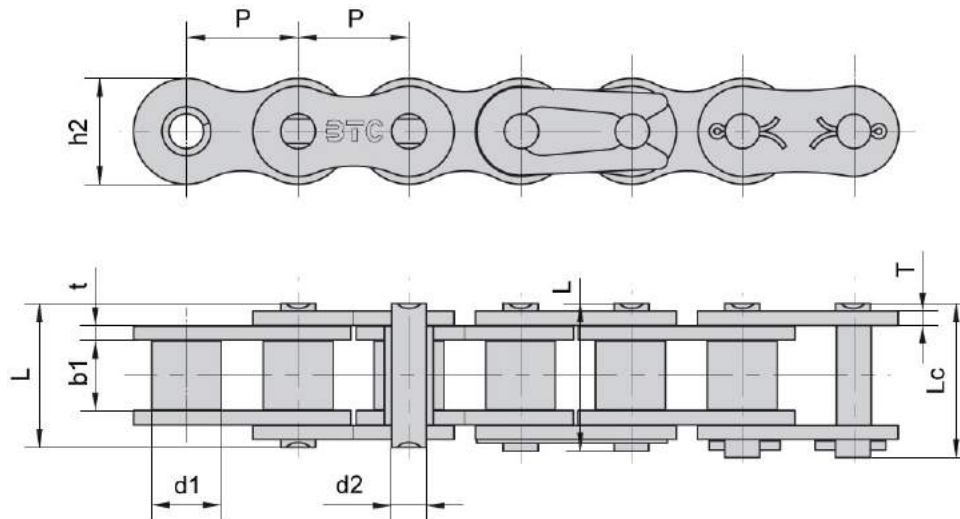
| DIN ref. | Pitch | Roller diameter | Width between inner plates | Pin diameter | Pin length | | Inner plate depth | Plate thickness | Transverse pitch | Ultimate tensile strength | Average tensile strength | Weight per meter |
|----------|--------|-----------------|----------------------------|--------------|------------|---------------|-------------------|-----------------|------------------|---------------------------|--------------------------|------------------|
| | | | | | L_{max} | $L_{c_{max}}$ | | | | | | |
| | | | | | P | $d1_{max}$ | | | | | | |
| mm | mm | mm | mm | mm | mm | mm | mm | mm | kN/LB | kN | kg/m | |
| GL08B-1 | 12,70 | 8,51 | 7,75 | 4,45 | 16,7 | 18,20 | 11,80 | 1,60 | | 18,0/4091 | 19,5 | 0,80 |
| GL10B-1 | 15,875 | 10,16 | 9,65 | 5,08 | 19,5 | 20,90 | 14,70 | 1,7 | | 22,4/5091 | 27,9 | 1,06 |
| GL12B-1 | 19,05 | 12,07 | 11,68 | 5,72 | 22,5 | 25,20 | 16,00 | 1,85 | | 29,0/6591 | 32,2 | 1,32 |
| GL16B-1 | 25,40 | 15,88 | 17,02 | 8,28 | 36,1 | 39,10 | 21,0/24,0 | 4,15/3,1 | | 60,0/13636 | 72,8 | 3,08/3,49 |
| GL20B-1 | 31,75 | 19,05 | 19,56 | 10,19 | 41,3 | 45,00 | 26,40 | 4,5/3,5 | | 95,0/21591 | 106,7 | 4,16 |
| GL24B-1 | 38,10 | 25,40 | 25,40 | 14,63 | 53,4 | 57,80 | 33,20 | 6,0/4,8 | | 160,0/36364 | 178,0 | 7,47 |
| GL28B-1 | 44,45 | 27,94 | 30,99 | 15,90 | 65,1 | 69,50 | 36,70 | 7,5/6,0 | | 200,0/45455 | 222,0 | 9,90 |
| GL32B-1 | 50,80 | 29,21 | 30,99 | 17,81 | 66,0 | 71,00 | 42,00 | 7,0/6,0 | | 250,0/56818 | 277,5 | 10,45 |
| GL08B-2 | 12,70 | 8,51 | 7,75 | 4,45 | 31,2 | 32,20 | 11,80 | 1,60 | 13,92 | 32,0/7273 | 38,7 | 1,45 |
| GL10B-2 | 15,875 | 10,16 | 9,65 | 5,08 | 36,1 | 37,50 | 14,70 | 1,7 | 16,59 | 44,5/10114 | 57,8 | 2,00 |
| GL12B-2 | 19,05 | 12,07 | 11,68 | 5,72 | 42,0 | 44,70 | 16,00 | 1,85 | 19,46 | 57,8/13136 | 66,1 | 2,62 |
| GL16B-2 | 25,40 | 15,88 | 17,02 | 8,28 | 68,0 | 71,00 | 21,0/24,0 | 4,15/3,1 | 31,88 | 106,0/24091 | 133,0 | 6,10/6,92 |
| GL20B-2 | 31,75 | 19,05 | 19,56 | 10,19 | 77,8 | 81,50 | 26,40 | 4,5/3,5 | 36,45 | 170,0/38636 | 211,2 | 8,23 |
| GL24B-2 | 38,10 | 25,40 | 25,40 | 14,63 | 101,7 | 106,20 | 33,20 | 6,0/4,8 | 48,36 | 280,0/63636 | 319,2 | 14,77 |
| GL28B-2 | 44,45 | 27,94 | 30,99 | 15,90 | 124,6 | 129,10 | 36,70 | 7,5/6,0 | 59,56 | 360,0/81818 | 406,8 | 19,82 |
| GL32B-2 | 50,80 | 29,21 | 30,99 | 17,81 | 124,6 | 129,60 | 42,00 | 7,0/6,0 | 58,55 | 450,0/102273 | 508,5 | 20,94 |
| GL08B-3 | 12,70 | 8,51 | 7,75 | 4,45 | 45,1 | 46,10 | 11,80 | 1,60 | 13,92 | 47,5/10795 | 57,8 | 2,10 |
| GL10B-3 | 15,875 | 10,16 | 9,65 | 5,08 | 52,7 | 54,10 | 14,70 | 1,7 | 16,59 | 66,7/15159 | 84,5 | 2,87 |
| GL12B-3 | 19,05 | 12,07 | 11,68 | 5,72 | 61,5 | 64,20 | 16,00 | 1,85 | 19,46 | 86,7/19705 | 101,8 | 3,89 |
| GL16B-3 | 25,40 | 15,88 | 17,02 | 8,28 | 99,8 | 102,90 | 21,0/24,0 | 4,15/3,1 | 31,88 | 160,0/36364 | 203,7 | 9,12/10,34 |
| GL20B-3 | 31,75 | 19,05 | 19,56 | 10,19 | 114,2 | 117,90 | 26,40 | 4,5/3,5 | 36,45 | 250,0/56818 | 290,0 | 11,34 |
| GL24B-3 | 38,10 | 25,40 | 25,40 | 14,63 | 150,1 | 154,60 | 33,20 | 6,0/4,8 | 48,36 | 425,0/96591 | 493,0 | 22,10 |
| GL28B-3 | 44,45 | 27,94 | 30,99 | 15,90 | 184,2 | 188,70 | 36,70 | 7,5/6,0 | 59,56 | 530,0/120454 | 609,5 | 29,64 |
| GL32B-3 | 50,80 | 29,21 | 30,99 | 17,81 | 183,2 | 188,20 | 42,00 | 7,0/6,0 | 58,55 | 670,0/152273 | 770,5 | 31,27 |



High precision roller chains DIN 8187

ISO 606 - European standard

Heavy duty



| Chain ref. | Pitch | Roller diameter | Width between inner plates | Pin diameter | Pin length | | Inner plate height | Plate thickness | Ultimate tensile strength | Average tensile strength | Weight per meter |
|-------------|--------|-----------------|----------------------------|--------------|------------|-------|--------------------|-----------------|---------------------------|--------------------------|------------------|
| BTC | P | d1 | b1 | d2 | L | Lc | h2 | t/T | F_B | F_{BA} | q |
| | | max | min | max | max | max | max | max | min | min | |
| | mm | mm | mm | mm | mm | mm | mm | mm | kN/LB | kN | kg/m |
| 04BH | 6,00 | 4,00 | 2,80 | 1,85 | 8,4 | 9,40 | 5,00 | 0,90 | 5,00/1136 | 5,3 | 0,14 |
| 453 | 9,525 | 6,00 | 3,30 | 2,78 | 9,6 | 12,70 | 9,00 | 1,08 | 7,2/1637 | 8,2 | 0,26 |
| 454 | 9,525 | 6,35 | 3,94 | 3,28 | 11,6 | 14,90 | 9,00 | 1,38 | 8,25/1875 | 9,4 | 0,36 |
| 081/331 | 12,70 | 7,75 | 3,30 | 3,66 | 10,2 | 11,70 | 9,90 | 1,25 | 8,00/1818 | 9,1 | 0,28 |
| 082/110 | 12,70 | 7,75 | 2,38 | 3,66 | 8,2 | 9,70 | 9,90 | 1,11 | 8,80/2000 | 10,0 | 0,26 |
| 083/415B | 12,70 | 7,75 | 4,88 | 4,09 | 12,9 | 14,40 | 10,30 | 1,3 | 12,00/2727 | 14,2 | 0,45 |
| 084 | 12,70 | 7,75 | 4,88 | 4,09 | 14,8 | 16,30 | 11,10 | 1,95 | 10,55/2398 | 12,0 | 0,60 |
| 085/41 | 12,70 | 7,77 | 6,38 | 3,58 | 14,0 | 16,00 | 9,90 | 1,35 | 10,12/2300 | 11,5 | 0,38 |
| 5L/332 | 12,70 | 7,75 | 4,88 | 3,66 | 11,2 | 12,70 | 9,90 | 1,16 | 8,00/1818 | 9,1 | 0,33 |
| 428HSH | 12,70 | 8,51 | 7,85 | 4,45 | 20,0 | 21,45 | 11,80 | 2,42 | 27,00/6070 | 23,4 | 0,79 |
| RE217/423 | 12,70 | 8,51 | 6,40 | 4,45 | 15,4 | 18,90 | 11,60 | 1,70 | 19,60/4455 | 21,9 | 0,71 |
| RE317/520F3 | 15,875 | 10,16 | 6,48 | 5,08 | 17,5 | 19,00 | 15,09 | 2,03 | 26,50/6022 | 29,7 | 0,89 |
| RE425/515 | 19,05 | 12,07 | 13,50 | 5,72 | 28,6 | 31,30 | 16,20 | 3,00 | 33,50/7615 | 37,5 | 1,60 |
| 12BH | 19,05 | 12,07 | 11,68 | 5,94 | 25,2 | 26,80 | 16,00 | 2,42 | 40,00/9090 | 44,8 | 1,45 |
| RE480/12BV | 19,05 | 12,07 | 11,68 | 6,10 | 24,5 | 26,50 | 16,00 | 2,42 | 40,00/9090 | 44,8 | 1,45 |
| 12BF14 | 19,05 | 12,07 | 30,56 | 5,72 | 42,0 | 43,60 | 16,00 | 1,85 | 29,00/6591 | 32,2 | 2,13 |
| RE487 | 20,00 | 12,00 | 16,00 | 6,00 | 32,1 | 35,90 | 19,00 | 3,25 | 35,50/8070 | 39,8 | 2,00 |
| HE488 | 20,00 | 12,00 | 16,00 | 8,00 | 32,5 | 37,30 | 19,00 | 3,25 | 35,50/8070 | 39,8 | 2,00 |
| RE514 | 25,40 | 14,00 | 12,70 | 7,00 | 27,3 | 33,10 | 19,70 | 3,20 | 45,00/10230 | 49,9 | 1,74 |
| RE516/16BF5 | 25,40 | 15,88 | 12,70 | 8,28 | 30,8 | 32,10 | 20,00 | 3,5/3,0 | 50,00/11364 | 57,5 | 2,37 |
| RE519/16BH | 25,40 | 15,88 | 17,02 | 8,90 | 35,7 | 38,90 | 24,10 | 4,0/3,1 | 80,00/18182 | 94,2 | 3,11 |
| *RZ519 | 25,40 | 15,88 | 17,02 | 8,90 | 67,8 | 72,00 | 24,10 | 4,0/3,1 | 160,00/36370 | 179,2 | 6,25 |
| RE525 | 25,40 | 12,70 | 12,70 | 7,00 | 27,4 | 32,50 | 20,80 | 3,10 | 45,00/10230 | 49,7 | 1,59 |
| RE626/552 | 30,00 | 15,88 | 17,02 | 8,28 | 35,5 | 41,90 | 20,50 | 4,1 | 63,00/14320 | 70,5 | 2,33 |
| R38SH/24BH | 38,10 | 25,40 | 25,40 | 14,63 | 58,6 | 63,40 | 36,20 | 7,5/6,0 | 225,00/51136 | 250,3 | 9,00 |
| R44SH | 44,45 | 27,94 | 30,99 | 15,90 | 66,3 | 71,10 | 40,80 | 8,5/7,0 | 270,00/61370 | 299,7 | 9,80 |

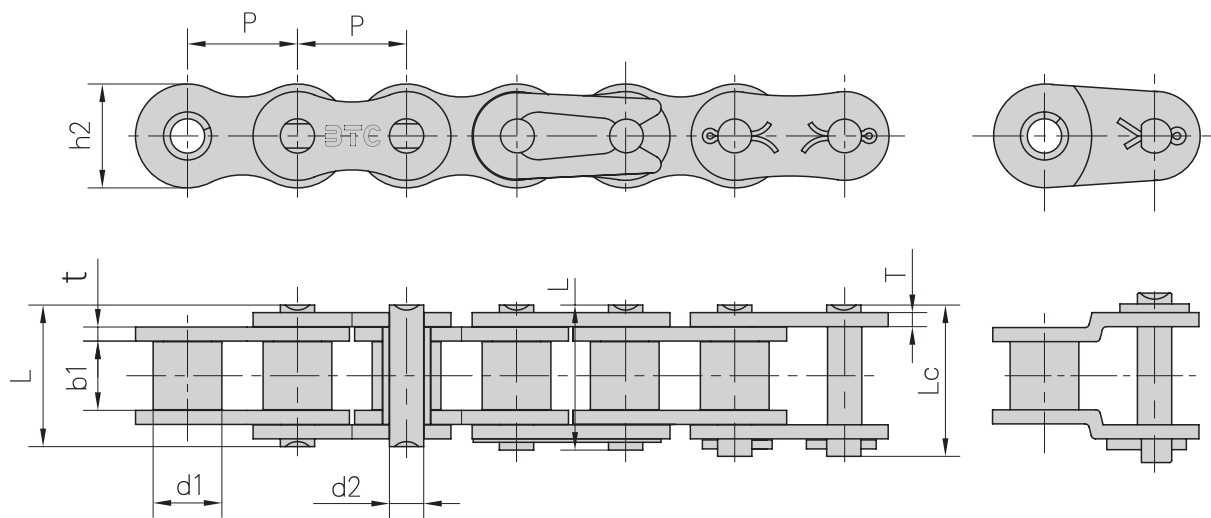
* Duplex heavy duty chain



High precision roller chains - DIN 8188

ANSI - American standard

Simplex



| DIN ref. | ANSI ref. | Pitch | Roller diameter | Width between inner plates | | Pin length | | Inner plate depth | Plate thickness | Ultimate tensile strength | Average tensile strength | Weight per meter | | | | | | |
|----------|-----------|--------|-----------------|----------------------------|--------|------------|--------|-------------------|-----------------|---------------------------|--------------------------|------------------|--------|--------|---------|--------------------|-----------------|----|
| | | | | d1 max | b1 min | d2 max | L max | | | | | | Lc max | h2 max | t/T max | F _B min | F _{BA} | q |
| | | | | mm | mm | mm | mm | | | | | | mm | mm | mm | mm | kN/LB | kN |
| *03C | *15 | 4,763 | 2,48 | 2,38 | 1,62 | 6,10 | 6,90 | 4,30 | 0,60 | 1,80/409 | 2,0 | 0,08 | | | | | | |
| *04C-1 | *25 | 6,350 | 3,30 | 3,18 | 2,31 | 7,90 | 8,40 | 9,00 | 0,80 | 3,50/795 | 4,6 | 0,15 | | | | | | |
| *06C-1 | *35 | 9,525 | 5,08 | 4,77 | 3,58 | 12,40 | 13,17 | 9,91 | 1,30 | 7,90/1795 | 10,8 | 0,33 | | | | | | |
| 085-1 | 41 | 12,700 | 7,77 | 6,25 | 3,58 | 13,75 | 15,00 | 12,00 | 1,30 | 6,67/1516 | 12,6 | 0,41 | | | | | | |
| 08A-1 | 40 | 12,700 | 7,95 | 7,85 | 3,96 | 16,60 | 17,80 | 15,09 | 1,50 | 14,10/3205 | 17,5 | 0,62 | | | | | | |
| 10A-1 | 50 | 15,875 | 10,16 | 9,40 | 5,08 | 20,70 | 22,20 | 18,00 | 2,03 | 22,20/5045 | 29,4 | 1,02 | | | | | | |
| 12A-1 | 60 | 19,050 | 11,91 | 12,57 | 5,94 | 25,90 | 27,70 | 24,00 | 2,42 | 31,80/7227 | 41,5 | 1,50 | | | | | | |
| 16A-1 | 80 | 25,400 | 15,88 | 15,75 | 7,92 | 32,70 | 35,00 | 30,00 | 3,25 | 56,70/12886 | 69,4 | 2,60 | | | | | | |
| 20A-1 | 100 | 31,750 | 19,05 | 18,90 | 9,53 | 40,40 | 44,70 | 35,70 | 4,00 | 88,50/20114 | 109,2 | 3,91 | | | | | | |
| 24A-1 | 120 | 38,100 | 22,23 | 25,22 | 11,10 | 50,30 | 54,30 | 41,00 | 4,80 | 127,00/28864 | 156,3 | 5,62 | | | | | | |
| 28A-1 | 140 | 44,450 | 25,40 | 25,22 | 12,70 | 54,40 | 59,00 | 47,80 | 5,60 | 172,40/39182 | 212,0 | 7,50 | | | | | | |
| 32A-1 | 160 | 50,800 | 28,58 | 31,55 | 14,27 | 64,80 | 69,60 | 53,60 | 6,40 | 226,80/51545 | 278,9 | 10,10 | | | | | | |
| 36A-1 | 180 | 57,150 | 35,71 | 35,48 | 17,46 | 72,80 | 78,60 | 60,00 | 7,20 | 280,20/63682 | 341,8 | 13,45 | | | | | | |
| 40A-1 | 200 | 63,500 | 39,68 | 37,85 | 19,85 | 80,30 | 87,20 | 72,39 | 8,00 | 353,80/80409 | 431,6 | 16,15 | | | | | | |
| 48A-1 | 240 | 76,200 | 47,63 | 47,35 | 23,81 | 95,50 | 103,00 | 84,30 | 9,50 | 510,30/115977 | 622,5 | 23,20 | | | | | | |

* Bushing chain: d1 in the table indicate the external diameter of the bushing.

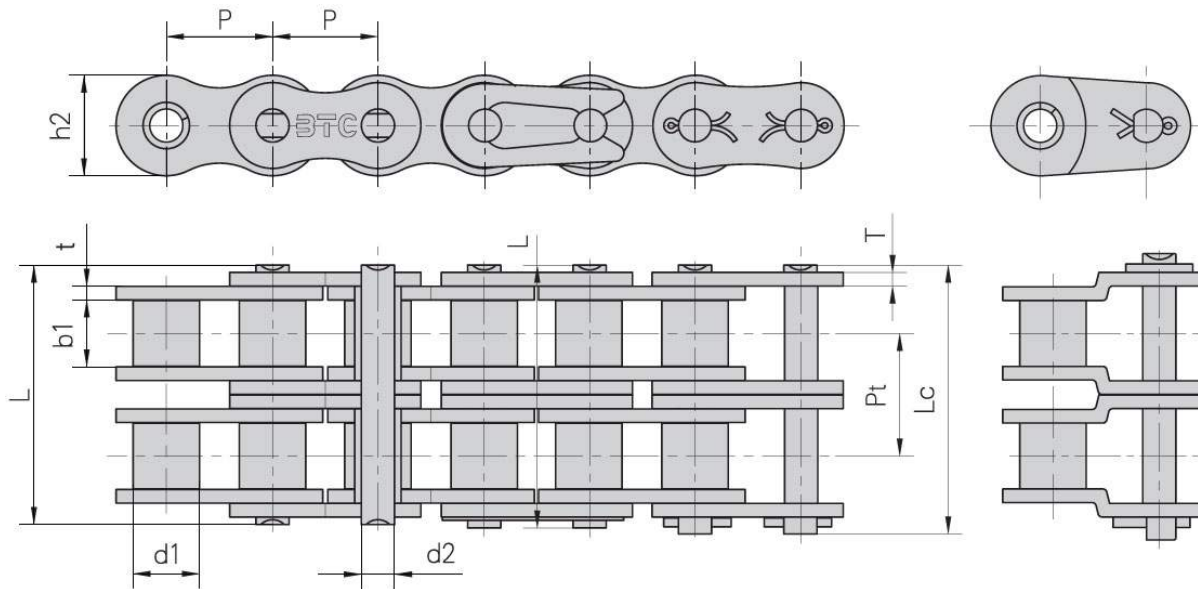
All these types are also available in cottered execution.



High precision roller chains - DIN 8188

ANSI - American standard

Duplex



| DIN ref. | ANSI ref. | Pitch | Roller diameter | Width between inner plates | Pin diameter | Pin length | | Inner plate depth | Plate thickness | Transverse pitch | Ultimate tensile strength | Average tensile strength | Weight per meter |
|----------|-----------|--------|-----------------|----------------------------|--------------|------------|--------|-------------------|-----------------|------------------|---------------------------|--------------------------|------------------|
| | | p | d1 max | b1 min | d2 max | L max | Lc max | h2 max | T max | Pt | F _B min | F _{BA} | q |
| | | mm | mm | mm | mm | mm | mm | mm | mm | mm | kN/LB | kN | kg/m |
| | | *04C-2 | *25-2 | 6,35 | 3,30 | 3,18 | 2,31 | 14,5 | 15,00 | 6,00 | 0,80 | 6,40 | 7,00/1591 |
| 06C-2 | *35-2 | 9,53 | 5,08 | 4,77 | 3,58 | 22,5 | 23,30 | 9,00 | 1,30 | 10,13 | 15,80/3591 | 19,7 | 0,63 |
| 085-2 | 41-2 | 12,70 | 7,77 | 6,25 | 3,58 | 25,7 | 26,90 | 9,91 | 1,30 | 11,95 | 13,34/3032 | 16,9 | 0,81 |
| 08A-2 | 40-2 | 12,70 | 7,95 | 7,85 | 3,96 | 31,0 | 32,20 | 12,00 | 1,50 | 14,38 | 28,20/6409 | 35,9 | 1,12 |
| 10A-2 | 50-2 | 15,875 | 10,16 | 9,40 | 5,08 | 38,9 | 40,40 | 15,09 | 2,03 | 18,11 | 44,40/10091 | 58,1 | 2,00 |
| 12A-2 | 60-2 | 19,05 | 11,91 | 12,57 | 5,94 | 48,8 | 50,50 | 18,00 | 2,42 | 22,78 | 63,60/14455 | 82,1 | 2,92 |
| 16A-2 | 80-2 | 25,40 | 15,88 | 15,75 | 7,92 | 62,7 | 64,30 | 24,00 | 3,25 | 29,29 | 113,40/25773 | 141,8 | 5,15 |
| 20A-2 | 100-2 | 31,75 | 19,05 | 18,90 | 9,53 | 76,4 | 80,50 | 30,00 | 4,00 | 35,76 | 177,00/40227 | 219,4 | 7,80 |
| 24A-2 | 120-2 | 38,10 | 22,23 | 25,22 | 11,10 | 95,8 | 99,70 | 35,70 | 4,80 | 45,44 | 254,00/57727 | 314,9 | 11,70 |
| 28A-2 | 140-2 | 44,45 | 25,40 | 25,22 | 12,70 | 103,3 | 107,90 | 41,00 | 5,60 | 48,87 | 344,80/78364 | 427,5 | 15,14 |
| 32A-2 | 160-2 | 50,80 | 28,58 | 31,55 | 14,27 | 123,3 | 128,10 | 47,80 | 6,40 | 58,55 | 453,60/103091 | 562,4 | 20,14 |
| 36A-2 | 180-2 | 57,15 | 35,71 | 35,48 | 17,46 | 138,6 | 144,40 | 53,60 | 7,20 | 65,84 | 560,50/127386 | 695,0 | 29,22 |
| 40A-2 | 200-2 | 63,50 | 39,68 | 37,85 | 19,85 | 151,9 | 158,80 | 60,00 | 8,00 | 71,55 | 707,60/160818 | 877,4 | 32,24 |
| 48A-2 | 240-2 | 76,20 | 47,63 | 47,35 | 23,81 | 183,4 | 190,80 | 72,39 | 9,50 | 87,83 | 1020,60/213955 | 1255,3 | 45,23 |

* Bushing chain: d1 in the table indicate the external diameter of the bushing.

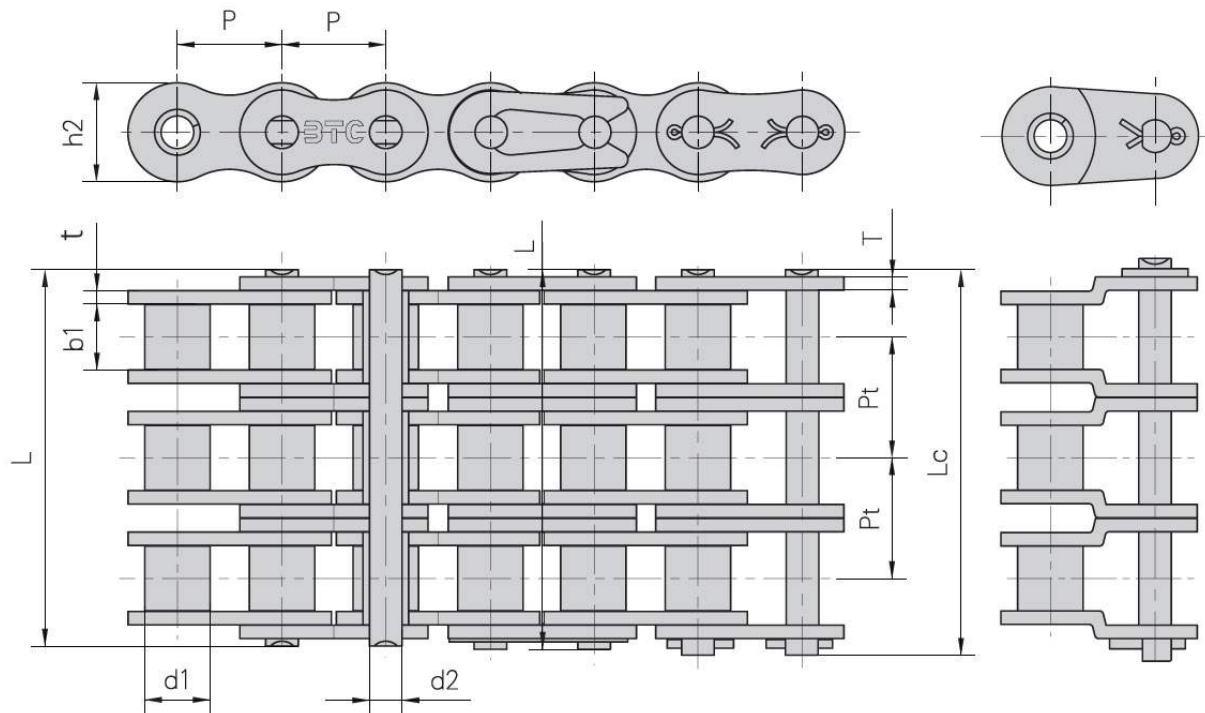
All these types are also available in cottered execution.



High precision roller chains - DIN 8188

ANSI - American standard

Triplex



| DIN ref. | ANSI ref. | Pitch | Roller diameter | Width between inner plates | Pin diameter | Pin length | | Inner plate depth | Plate thickness | Transverse pitch | Ultimate tensile strength | Average tensile strength | Weight per meter |
|----------|-----------|--------|-----------------|----------------------------|--------------|------------|--------|-------------------|-----------------|------------------|---------------------------|--------------------------|------------------|
| | | | | | | L | Lc | | | | | | |
| | | | | | | mm | mm | | | | | | |
| *04C-3 | *25-3 | 6,35 | 3,30 | 3,18 | 2,31 | 21,0 | 21,50 | 6,00 | 0,80 | 6,40 | 10,5/2386 | 12,6 | 0,44 |
| *06C-3 | *35-3 | 9,53 | 5,08 | 4,77 | 3,58 | 32,7 | 33,50 | 9,00 | 1,30 | 10,13 | 23,7/5386 | 28,6 | 1,05 |
| 08A-3 | 40-3 | 12,70 | 7,95 | 7,85 | 3,96 | 45,4 | 46,60 | 12,00 | 1,50 | 14,38 | 42,3/9614 | 50,0 | 1,90 |
| 10A-3 | 50-3 | 15,875 | 10,16 | 9,40 | 5,08 | 57,0 | 58,50 | 15,09 | 2,03 | 18,11 | 66,6/15136 | 77,8 | 3,09 |
| 12A-3 | 60-3 | 19,05 | 11,91 | 12,57 | 5,94 | 71,5 | 73,30 | 18,00 | 2,42 | 22,78 | 95,4/21682 | 111,1 | 4,54 |
| 16A-3 | 80-3 | 25,40 | 15,88 | 15,75 | 7,92 | 91,7 | 93,60 | 24,00 | 3,25 | 29,29 | 170,1/38659 | 198,4 | 7,89 |
| 20A-3 | 100-3 | 31,75 | 19,05 | 18,90 | 9,53 | 112,2 | 116,30 | 30,00 | 4,00 | 35,76 | 265,5/60341 | 309,6 | 11,77 |
| 24A-3 | 120-3 | 38,10 | 22,23 | 25,22 | 11,10 | 141,4 | 145,20 | 35,70 | 4,80 | 45,44 | 381,0/86591 | 437,2 | 17,53 |
| 28A-3 | 140-3 | 44,45 | 25,40 | 25,22 | 12,70 | 152,2 | 156,80 | 41,00 | 5,60 | 48,87 | 517,2/117545 | 593,3 | 22,20 |
| 32A-3 | 160-3 | 50,80 | 28,58 | 31,55 | 14,27 | 181,8 | 186,60 | 47,80 | 6,40 | 58,55 | 680,4/154636 | 780,6 | 30,02 |
| 36A-3 | 180-3 | 57,15 | 35,71 | 35,48 | 17,46 | 204,4 | 210,20 | 53,60 | 7,20 | 65,84 | 840,7/191068 | 983,6 | 38,22 |
| 40A-3 | 200-3 | 63,50 | 39,68 | 37,85 | 19,85 | 223,5 | 230,40 | 60,00 | 8,00 | 71,55 | 1061,4/241227 | 1217,8 | 49,03 |
| 48A-3 | 240-3 | 76,20 | 47,63 | 47,35 | 23,81 | 271,3 | 278,60 | 72,39 | 9,50 | 87,83 | 1530,9/347932 | 1756,5 | 71,60 |

*Bushing chain: d1 in the table indicate the external diameter of the bushing.

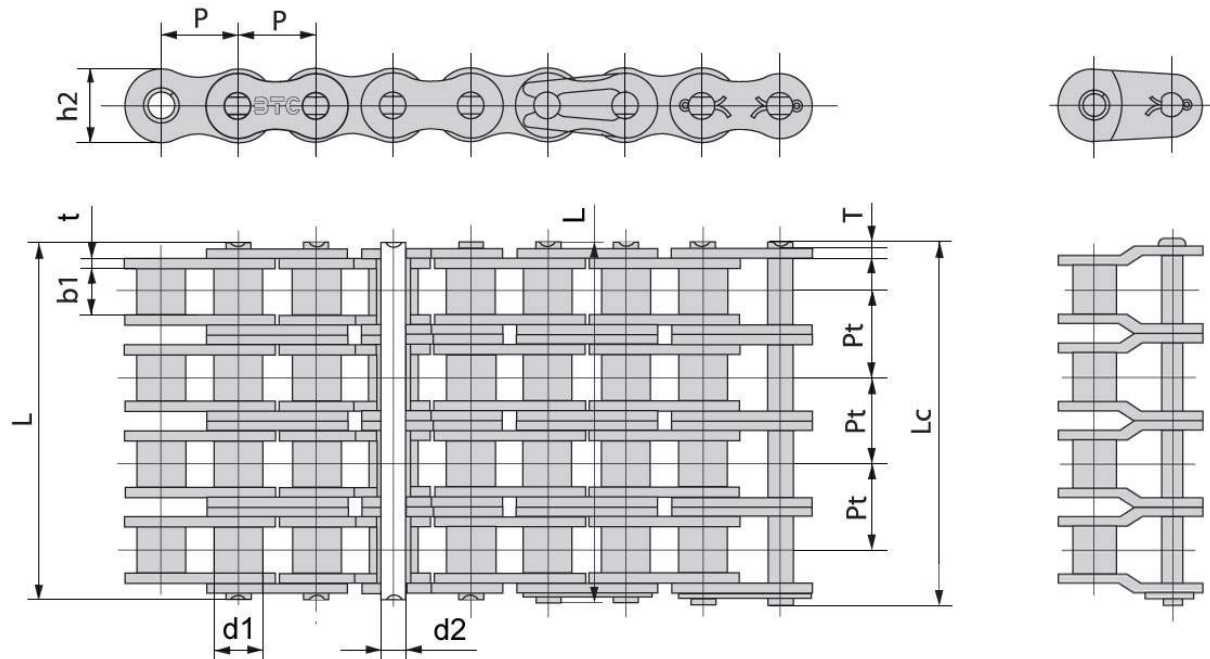
All these types are also available in cottered execution.



High precision roller chains - DIN 8188

ANSI - American standard

Multiple



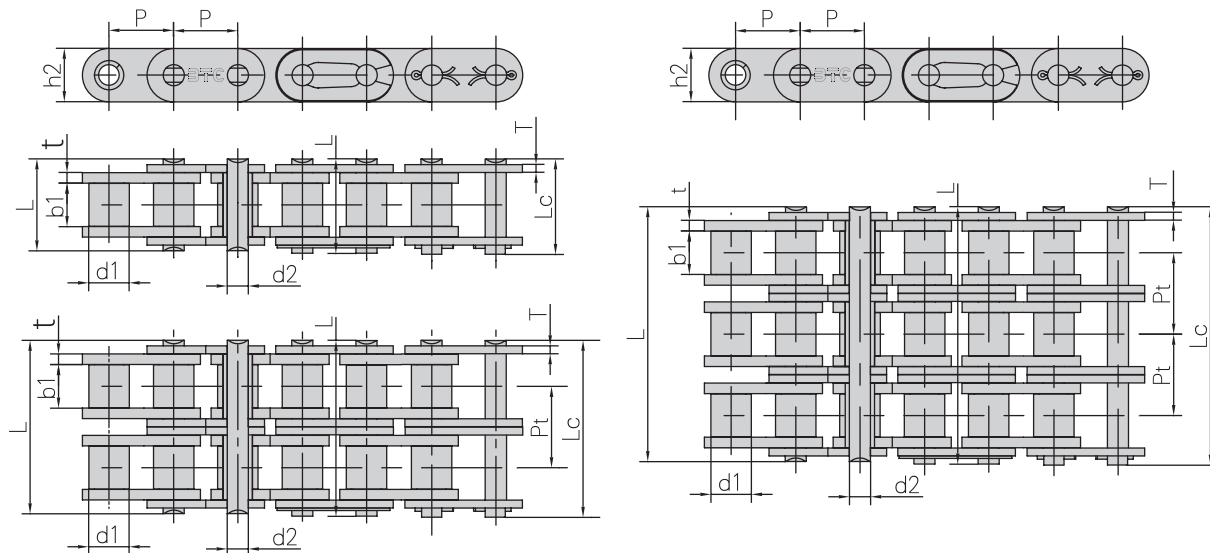
| DIN ref. | ANSI ref. | Pitch | Roller diameter | Width between inner plates | | | Pin diameter | | Pin length | | Inner plate depth | Plate thickness | Transverse pitch | Ultimate tensile strength | Average tensile strength | Weight per meter | | | | |
|----------|-----------|--------|-----------------|----------------------------|--------|--------|--------------|--------|------------|---------|-------------------|-----------------|------------------|---------------------------|--------------------------|------------------|----|--------------------|-----------------|---|
| | | | | d1 max | b1 min | d2 max | L max | Lc max | h2 max | t/T max | | | | | | | Pt | F _B min | F _{BA} | q |
| | | | | | | | | | | | | | | | | | | | | |
| 08A-4 | 40-4 | 12,70 | 7,95 | 7,85 | 3,96 | 59,80 | 61,00 | 12,00 | 1,50 | 14,38 | 56,4/12687 | 62,04 | 2,57 | | | | | | | |
| 10A-4 | 50-4 | 15,875 | 10,16 | 9,40 | 5,08 | 75,10 | 76,60 | 15,09 | 2,03 | 18,11 | 88,8/19976 | 97,68 | 4,30 | | | | | | | |
| 12A-4 | 60-4 | 19,05 | 11,91 | 12,57 | 5,94 | 94,40 | 96,10 | 18,00 | 2,42 | 22,78 | 127,2/28614 | 139,92 | 6,21 | | | | | | | |
| 16A-4 | 80-4 | 25,40 | 15,88 | 15,75 | 7,92 | 121,00 | 124,40 | 24,00 | 3,25 | 29,29 | 226,8/51020 | 249,48 | 10,37 | | | | | | | |
| 20A-4 | 100-4 | 31,75 | 19,05 | 18,90 | 9,63 | 147,80 | 152,10 | 30,00 | 4,00 | 35,76 | 354/79635 | 389,40 | 15,60 | | | | | | | |
| 24A-4 | 120-4 | 38,10 | 22,23 | 25,22 | 11,10 | 187,00 | 190,80 | 36,70 | 4,80 | 45,44 | 508/114278 | 558,80 | 23,56 | | | | | | | |
| 08A-5 | 40-5 | 12,70 | 7,95 | 7,85 | 3,96 | 74,20 | 75,40 | 12,00 | 1,50 | 14,38 | 70,5/15859 | 77,55 | 3,19 | | | | | | | |
| 10A-5 | 50-5 | 15,875 | 10,16 | 9,40 | 5,08 | 93,20 | 94,70 | 15,09 | 2,03 | 18,11 | 111/24970 | 122,10 | 5,37 | | | | | | | |
| 12A-5 | 60-5 | 19,05 | 11,91 | 12,57 | 5,94 | 117,00 | 118,80 | 18,00 | 2,42 | 22,78 | 159/35768 | 174,90 | 7,75 | | | | | | | |
| 16A-5 | 80-5 | 25,40 | 15,88 | 15,75 | 7,92 | 149,90 | 153,70 | 24,00 | 3,25 | 29,29 | 283,5/63775 | 311,85 | 12,96 | | | | | | | |
| 20A-5 | 100-5 | 31,75 | 19,05 | 18,90 | 9,63 | 183,60 | 187,90 | 30,00 | 4,00 | 35,76 | 442,5/99543 | 486,75 | 19,46 | | | | | | | |
| 24A-5 | 120-5 | 38,10 | 22,23 | 25,22 | 11,10 | 232,30 | 236,10 | 35,70 | 4,80 | 45,44 | 635/142848 | 698,50 | 29,40 | | | | | | | |
| 08A-6 | 40-6 | 12,70 | 7,95 | 7,85 | 3,96 | 88,50 | 89,80 | 12,00 | 1,50 | 14,38 | 84,6/19,31 | 93,06 | 3,83 | | | | | | | |
| 10A-6 | 50-6 | 15,875 | 10,16 | 9,40 | 5,08 | 111,30 | 112,80 | 15,09 | 2,03 | 18,11 | 133,2/29964 | 146,52 | 6,43 | | | | | | | |
| 12A-6 | 60-6 | 19,05 | 11,91 | 12,57 | 5,94 | 139,80 | 141,80 | 18,00 | 2,42 | 22,78 | 190,8/42921 | 209,80 | 9,31 | | | | | | | |
| 16A-6 | 80-6 | 25,40 | 15,88 | 15,75 | 7,92 | 179,20 | 183,00 | 24,00 | 3,25 | 29,29 | 340,2/76530 | 374,22 | 15,50 | | | | | | | |
| 20A-6 | 100-6 | 31,75 | 19,05 | 18,90 | 9,63 | 219,40 | 223,70 | 30,00 | 4,00 | 35,76 | 531/119452 | 584,10 | 23,36 | | | | | | | |
| 24A-6 | 120-6 | 38,10 | 22,23 | 25,22 | 11,10 | 278,00 | 282,00 | 35,70 | 4,80 | 45,44 | 762/171417 | 838,20 | 35,30 | | | | | | | |
| 08A-8 | 40-8 | 12,70 | 7,95 | 7,85 | 3,96 | 117,30 | 118,50 | 12,00 | 1,50 | 14,38 | 112,8/25375 | 124,08 | 5,11 | | | | | | | |
| 10A-8 | 50-8 | 15,875 | 10,16 | 9,40 | 5,08 | 147,50 | 149,00 | 15,09 | 2,03 | 18,11 | 117,6/39952 | 195,36 | 8,59 | | | | | | | |
| 12A-8 | 60-8 | 19,05 | 11,91 | 12,57 | 5,94 | 185,80 | 187,60 | 18,00 | 2,42 | 22,78 | 254,4/57229 | 279,84 | 12,37 | | | | | | | |
| 16A-8 | 80-8 | 25,40 | 15,88 | 15,75 | 7,92 | 237,80 | 241,60 | 24,00 | 3,25 | 29,29 | 453,6/102040 | 498,96 | 20,67 | | | | | | | |
| 20A-8 | 100-8 | 31,75 | 19,05 | 18,90 | 9,63 | 290,80 | 295,10 | 30,00 | 4,00 | 35,76 | 708/159270 | 778,80 | 31,14 | | | | | | | |
| 24A-8 | 120-8 | 38,10 | 22,23 | 25,22 | 11,10 | 368,80 | 372,80 | 35,70 | 4,80 | 45,44 | 1016/228557 | 1176,00 | 47,07 | | | | | | | |



Straight side plates roller chains - DIN 8188

ANSI - American standard

Simplex, Duplex and Triplex



| DIN ref. | ANSI ref. | Pitch | Roller diameter | Width between inner plates | Pin diameter | Pin length | | Inner plate depth | Plate thickness | Transverse pitch | Ultimate tensile strength | Average tensile strength | Weight per meter |
|----------|-----------|--------|-----------------|----------------------------|--------------|------------|--------|-------------------|-----------------|------------------|---------------------------|--------------------------|------------------|
| | | | | | | L max | Lc max | | | | | | |
| | | | | | | P | d1 max | | | | | | |
| mm | mm | mm | mm | mm | mm | mm | mm | mm | mm | kN/LB | kN | kg/m | |
| GL06A-1 | *C35-1 | 9,525 | 5,08 | 4,77 | 3,58 | 13,30 | 14,30 | 9,00 | 1,30 | | 7,9/1795 | 10,8 | 0,41 |
| GL08A-1 | C40-1 | 12,700 | 7,95 | 7,85 | 3,96 | 16,60 | 18,80 | 12,00 | 1,50 | | 14,1/3273 | 17,5 | 0,73 |
| GL10A-1 | C50-1 | 15,875 | 10,16 | 9,40 | 5,08 | 20,70 | 23,30 | 15,09 | 2,03 | | 22,2/5045 | 29,4 | 1,23 |
| GL12A-1 | C60-1 | 19,050 | 11,91 | 12,57 | 5,94 | 25,90 | 28,30 | 18,0/18,2 | 2,42 | | 31,8/7227 | 41,5 | 1,81/1,83 |
| GL16A-1 | C80-1 | 25,400 | 15,88 | 15,75 | 7,92 | 32,70 | 36,50 | 24,00 | 3,25 | | 56,7/12886 | 69,4 | 3,09 |
| GL20A-1 | C100-1 | 31,750 | 19,05 | 18,90 | 9,53 | 40,40 | 44,70 | 30,00 | 4,00 | | 88,5/20114 | 109,2 | 4,56 |
| GL24A-1 | C120-1 | 38,100 | 22,23 | 25,22 | 11,10 | 50,30 | 54,30 | 35,70 | 4,80 | | 127,0/28864 | 156,3 | 6,86 |
| GL28A-1 | C140-1 | 44,450 | 25,40 | 25,22 | 12,70 | 54,40 | 59,00 | 41,00 | 5,60 | | 172,4/39182 | 212,0 | 8,49 |
| GL32A-1 | C160-1 | 50,800 | 28,58 | 31,55 | 14,27 | 64,80 | 69,60 | 47,80 | 6,40 | | 226,8/51545 | 278,9 | 11,50 |
| GL08A-2 | C40-2 | 12,700 | 7,95 | 7,85 | 3,96 | 31,00 | 33,20 | 12,00 | 1,50 | 14,38 | 1646939 | 35,9 | 1,43 |
| GL10A-2 | C50-2 | 15,875 | 10,16 | 9,40 | 5,08 | 38,90 | 41,40 | 15,09 | 2,03 | 18,11 | 44,4/10091 | 58,1 | 2,42 |
| GL12A-2 | C60-2 | 19,050 | 11,91 | 12,57 | 5,94 | 48,80 | 51,10 | 18,0/18,2 | 2,42 | 22,78 | 63,6/14455 | 82,1 | 3,58/3,62 |
| GL16A-2 | C80-2 | 25,400 | 15,88 | 15,75 | 7,92 | 62,70 | 65,80 | 24,00 | 3,25 | 29,29 | 113,4/25773 | 141,8 | 6,12 |
| GL20A-2 | C100-2 | 31,750 | 19,05 | 18,90 | 9,53 | 76,40 | 80,50 | 30,00 | 4,00 | 35,76 | 177,0/40227 | 219,4 | 9,08 |
| GL24A-2 | C120-2 | 38,100 | 22,23 | 25,22 | 11,10 | 95,80 | 99,70 | 35,70 | 4,80 | 45,44 | 254,0/57727 | 314,9 | 13,60 |
| GL28A-2 | C140-2 | 44,450 | 25,40 | 25,22 | 12,70 | 103,30 | 107,90 | 41,00 | 5,60 | 48,87 | 344,8/78364 | 427,5 | 16,86 |
| GL32A-2 | C160-2 | 50,800 | 28,58 | 31,55 | 14,27 | 123,30 | 128,10 | 47,80 | 6,40 | 58,55 | 453,6/103091 | 562,4 | 22,90 |
| GL08A-3 | C40-3 | 12,700 | 7,95 | 7,85 | 3,96 | 45,40 | 47,60 | 12,00 | 1,50 | 14,38 | 42,3/9614 | 50,0 | 2,14 |
| GL10A-3 | C50-3 | 15,875 | 10,16 | 9,40 | 5,08 | 57,00 | 59,50 | 15,09 | 2,03 | 18,11 | 66,6/15136 | 77,8 | 3,62 |
| GL12A-3 | C60-3 | 19,050 | 11,91 | 12,57 | 5,94 | 71,50 | 73,90 | 18,0/18,2 | 2,42 | 22,78 | 95,4/21682 | 111,1 | 5,36/5,41 |
| GL16A-3 | C80-3 | 25,400 | 15,88 | 15,75 | 7,92 | 91,70 | 95,10 | 24,00 | 3,25 | 29,29 | 170,1/38659 | 198,4 | 9,10 |
| GL20A-3 | C100-3 | 31,750 | 19,05 | 18,90 | 9,53 | 112,20 | 116,30 | 30,00 | 4,00 | 35,76 | 265,5/60341 | 309,6 | 13,60 |
| GL24A-3 | C120-3 | 38,100 | 22,23 | 25,22 | 11,10 | 141,40 | 145,20 | 35,70 | 4,80 | 45,44 | 381,0/86591 | 437,2 | 20,43 |
| GL28A-3 | C140-3 | 44,450 | 25,40 | 25,22 | 12,70 | 152,20 | 156,80 | 41,00 | 5,60 | 48,87 | 517,2/117545 | 593,3 | 25,23 |
| GL32A-3 | C160-3 | 50,800 | 28,58 | 31,55 | 14,27 | 181,80 | 186,60 | 47,80 | 6,40 | 58,55 | 680,4/154636 | 780,6 | 34,19 |

*Bushing chain: d1 in the table indicate the external diameter of the bushing

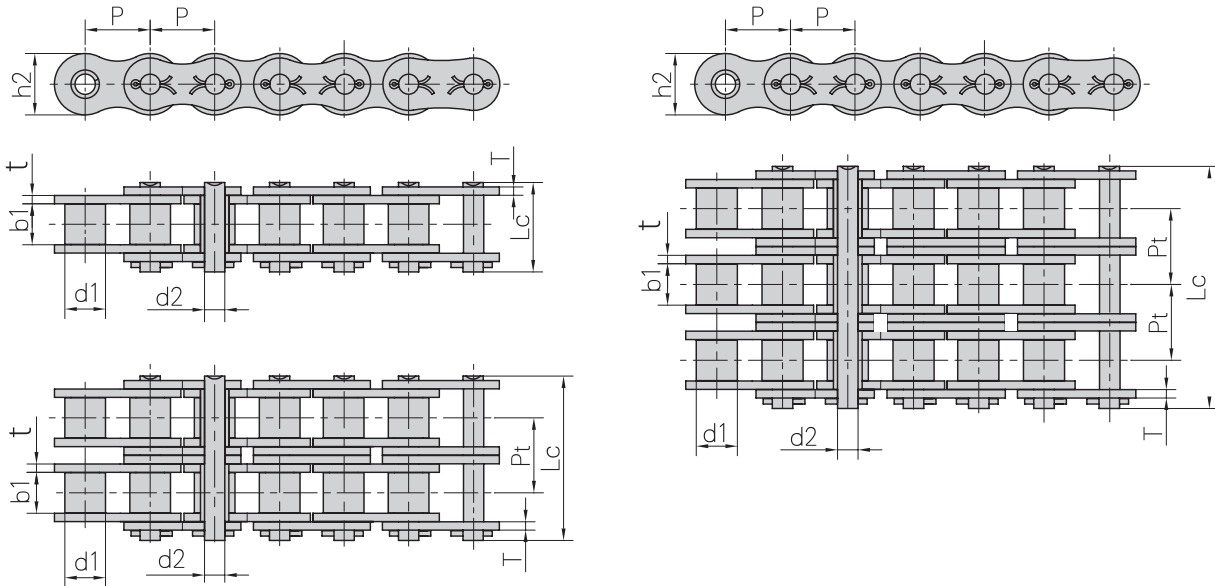


Heavy duty roller chains - DIN 8188

ANSI - American standard - Cottered or riveted

Simplex, Duplex and Triplex

ROLLER CHAINS



| DIN ref. | ANSI ref. | Pitch | Roller diameter | Width between inner plates | Pin diameter | Pin length | | Inner plate depth | Plate thickness | Transverse pitch | Ultimate tensile strength | Average tensile strength | Weight per meter |
|----------|-----------|--------|-----------------|----------------------------|--------------|------------|-----------|-------------------|-----------------|------------------|---------------------------|--------------------------|------------------|
| | | | | | | L | L_c | | | | | | |
| | | | | | | max | max | | | | | | |
| | | P | $d1$ max | $b1$ min | $d2$ max | L max | L_c max | $h2$ max | t/T max | Pt | F_B min | F_{BA} | q |
| | | mm | mm | mm | mm | mm | mm | mm | mm | mm | kN/LB | kN | kg/m |
| 10AH-1 | 50H-1 | 15,875 | 10,16 | 9,40 | 5,08 | 24,4 | 14,30 | 15,09 | 2,42 | | 22,2/5045 | 30,2 | 1,25 |
| 12AH-1 | 60H-1 | 19,05 | 11,91 | 12,57 | 5,94 | 31,6 | 18,80 | 18,00 | 3,25 | | 31,8/7227 | 42,7 | 1,87 |
| 16AH-1 | 80H-1 | 25,40 | 15,88 | 15,75 | 7,92 | 39,4 | 23,30 | 24,00 | 4,00 | | 56,7/12886 | 71,4 | 3,10 |
| 20AH-1 | 100H-1 | 31,75 | 19,05 | 18,90 | 9,53 | 46,9 | 28,30 | 30,00 | 4,80 | | 88,5/20114 | 112,4 | 4,52 |
| 24AH-1 | 120H-1 | 38,10 | 22,23 | 25,22 | 11,10 | 57,5 | 36,50 | 35,70 | 5,60 | | 127,0/28864 | 160,9 | 6,60 |
| 28AH-1 | 140H-1 | 44,45 | 25,40 | 25,22 | 12,70 | 62,2 | 44,70 | 41,00 | 6,40 | | 172,4/39182 | 217,3 | 8,30 |
| 32AH-1 | 160H-1 | 50,80 | 28,58 | 31,55 | 14,27 | 73,0 | 54,30 | 47,80 | 7,20 | | 226,8/51545 | 285,8 | 10,30 |
| 40AH-1 | 200H-1 | 63,50 | 39,68 | 37,85 | 19,85 | 93,5 | 59,00 | 60,00 | 9,50 | | 353,8/80409 | 444,5 | 19,16 |
| 12AH-2 | 60H-2 | 19,05 | 11,91 | 12,57 | 5,94 | 57,7 | 69,60 | 18,00 | 3,25 | 26,11 | 63,6/14454 | 84,5 | 3,71 |
| 16AH-2 | 80H-2 | 25,40 | 15,88 | 15,75 | 7,92 | 72,0 | 33,20 | 24,00 | 4,00 | 32,59 | 113,4/25773 | 145,3 | 6,15 |
| 20AH-2 | 100H-2 | 31,75 | 19,05 | 18,90 | 9,53 | 86,0 | 41,40 | 30,00 | 4,80 | 39,09 | 177,0/40227 | 225,9 | 9,03 |
| 24AH-2 | 120H-2 | 38,10 | 22,23 | 25,22 | 11,10 | 106,4 | 51,10 | 35,70 | 5,60 | 48,87 | 254,0/57727 | 322,7 | 13,13 |
| 28AH-2 | 140H-2 | 44,45 | 25,40 | 25,22 | 12,70 | 114,4 | 65,80 | 41,00 | 6,40 | 52,20 | 344,8/78364 | 437,7 | 16,60 |
| 32AH-2 | 160H-2 | 50,80 | 28,58 | 31,55 | 14,27 | 134,9 | 80,50 | 47,80 | 7,20 | 61,90 | 453,6/103091 | 571,6 | 20,20 |
| 40AH-2 | 200H-2 | 63,50 | 39,68 | 37,85 | 19,85 | 171,8 | 99,70 | 60,00 | 9,50 | 78,31 | 707,6/160818 | 894,9 | 38,11 |
| 12AH-3 | 60H-3 | 19,05 | 11,91 | 12,57 | 5,94 | 83,8 | 107,90 | 18,00 | 3,25 | 26,11 | 95,4/21682 | 113,9 | 5,54 |
| 16AH-3 | 80H-3 | 25,40 | 15,88 | 15,75 | 7,92 | 104,6 | 128,10 | 24,00 | 4,00 | 32,59 | 170,1/38659 | 203,5 | 9,42 |
| 20AH-3 | 100H-3 | 31,75 | 19,05 | 18,90 | 9,53 | 125,1 | 47,60 | 30,00 | 4,80 | 39,09 | 265,5/60341 | 314,8 | 12,96 |
| 24AH-3 | 120H-3 | 38,10 | 22,23 | 25,22 | 11,10 | 155,2 | 59,50 | 35,70 | 5,60 | 48,87 | 381,0/86591 | 444,7 | 19,64 |
| 28AH-3 | 140H-3 | 44,45 | 25,40 | 25,22 | 12,70 | 166,6 | 73,90 | 41,00 | 6,40 | 52,20 | 517,2/117545 | 598,4 | 24,90 |
| 32AH-3 | 160H-3 | 50,80 | 28,58 | 31,55 | 14,27 | 196,8 | 95,10 | 47,80 | 7,20 | 61,90 | 680,4/154636 | 787,3 | 30,10 |
| 40AH-3 | 200H-3 | 63,50 | 39,68 | 37,85 | 19,85 | 250,1 | 116,30 | 60,00 | 9,50 | 78,31 | 1061,4/241227 | 1228,2 | 57,06 |



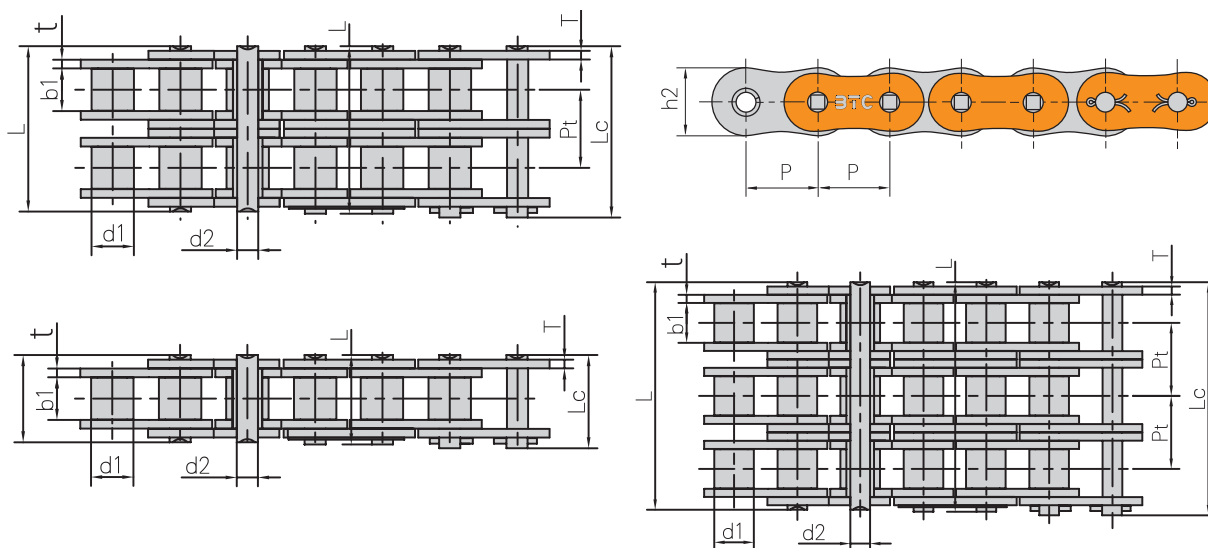
Super heavy duty roller chains DIN 8188


ANSI - American standard HSP

Simplex, Duplex and Triplex

SPECIAL REMARKS:

- "SP" has 28% more tensile strength than A series standard roller chain. Also it has an excellent performance of fatigue strength and impact resistance.
- Special design of plates, parts, material and heat treatment process.



| Chain nr. | Pitch | Roller diameter | Width between inner plates | | Pin diameter | | Pin length | | Inner plate depth | Plate thickness | Transverse pitch | Ultimate tensile strength | Average tensile strength | Weight per meter |
|---|--------|-----------------|----------------------------|----------|--------------|----------|------------|-----------|-------------------|-----------------|------------------|---------------------------|--------------------------|------------------|
| | | | $d1$ max | $b1$ min | $d2$ max | L max | Lc max | $h2$ max | | | | | | |
|  | p | $d1$ max | $b1$ min | $d2$ max | L max | Lc max | $h2$ max | t/T max | Pt | F_{Bmin} | F_{BA} | q | | |
| | mm | mm | mm | mm | mm | mm | mm | mm | mm | kN/LB | kN | kg/m | | |
| 50HSP-1 | 15,875 | 10,16 | 9,40 | 5,08 | 22,5 | 24,4 | 15,1 | 2,4 | | 31,3 | 34,7 | 1,27 | | |
| 60HSP-1 | 19,05 | 11,91 | 12,57 | 5,94 | 29,7 | 31,6 | 18,0 | 3,3 | | 45,8 | 50,6 | 1,90 | | |
| 80HSP-1 | 25,40 | 15,88 | 15,75 | 7,94 | 36,2 | 38,7 | 24,0 | 4,0 | | 89,2 | 98,1 | 3,36 | | |
| 100HSP-1 | 31,75 | 19,05 | 18,95 | 9,54 | 43,6 | 46,8 | 30,1 | 4,8 | | 131,8 | 145,0 | 4,90 | | |
| 120HSP-1 | 38,10 | 22,23 | 25,22 | 11,11 | 53,5 | 56,8 | 36,1 | 5,6 | | 176,0 | 196,0 | 7,12 | | |
| 140HSP-1 | 44,45 | 25,40 | 25,22 | 12,71 | 57,5 | 62,0 | 42,1 | 6,4 | | 231,9 | 255,0 | 8,88 | | |
| 160HSP-1 | 50,80 | 28,58 | 31,55 | 14,29 | 68,2 | 71,5 | 48,1 | 7,2 | | 294,5 | 324,0 | 11,72 | | |
| 200HSP-1 | 63,50 | 39,68 | 37,85 | 19,85 | 86,6 | 93,2 | 60,0 | 9,5 | | 543,6 | 598,0 | 19,80 | | |
| 60HSP-2 | 19,05 | 11,91 | 12,57 | 5,94 | 29,7 | 31,6 | 18,0 | 3,3 | 26,11 | 93,9 | 103,3 | 3,80 | | |
| 80HSP-2 | 25,40 | 15,88 | 15,75 | 7,94 | 36,2 | 38,7 | 24,0 | 4,0 | 32,59 | 178,4 | 196,2 | 6,65 | | |
| 100HSP-2 | 31,75 | 19,05 | 18,95 | 9,54 | 43,6 | 46,8 | 30,1 | 4,8 | 39,09 | 263,6 | 290,0 | 9,71 | | |
| 120HSP-2 | 38,10 | 22,23 | 25,22 | 11,11 | 53,5 | 56,8 | 36,1 | 5,6 | 48,87 | 353,4 | 392,0 | 14,12 | | |
| 140HSP-2 | 44,45 | 25,40 | 25,22 | 12,71 | 57,5 | 62,0 | 42,1 | 6,4 | 52,20 | 463,6 | 510,0 | 17,38 | | |
| 160HSP-2 | 50,80 | 28,58 | 31,55 | 14,29 | 68,2 | 71,5 | 48,1 | 7,2 | 61,90 | 588,0 | 647,0 | 23,00 | | |
| 200HSP-2 | 63,50 | 39,68 | 37,85 | 19,85 | 86,6 | 93,2 | 60,0 | 9,5 | 78,31 | 1091,0 | 1200,0 | 38,50 | | |
| 60HSP-3 | 19,05 | 11,91 | 12,57 | 5,94 | 29,7 | 31,6 | 18,0 | 3,3 | 26,11 | 137,4 | 151,5 | 5,60 | | |
| 80HSP-3 | 25,40 | 15,88 | 15,75 | 7,94 | 36,2 | 38,7 | 24,0 | 4,0 | 32,59 | 267,6 | 294,3 | 9,95 | | |
| 100HSP-3 | 31,75 | 19,05 | 18,95 | 9,54 | 43,6 | 46,8 | 30,1 | 4,8 | 39,09 | 395,4 | 435,0 | 14,53 | | |
| 120HSP-3 | 38,10 | 22,23 | 25,22 | 11,11 | 53,5 | 56,8 | 36,1 | 5,6 | 48,87 | 534,5 | 588,0 | 21,12 | | |
| 140HSP-3 | 44,45 | 25,40 | 25,22 | 12,71 | 57,5 | 62,0 | 42,1 | 6,4 | 52,20 | 695,8 | 765,0 | 25,88 | | |
| 160HSP-3 | 50,80 | 28,58 | 31,55 | 14,29 | 68,2 | 71,5 | 48,1 | 7,2 | 61,90 | 882,7 | 971,0 | 34,22 | | |
| 200HSP-3 | 63,50 | 39,68 | 37,85 | 19,85 | 86,6 | 93,2 | 60,0 | 9,5 | 78,31 | 1627,3 | 1790,0 | 57,29 | | |

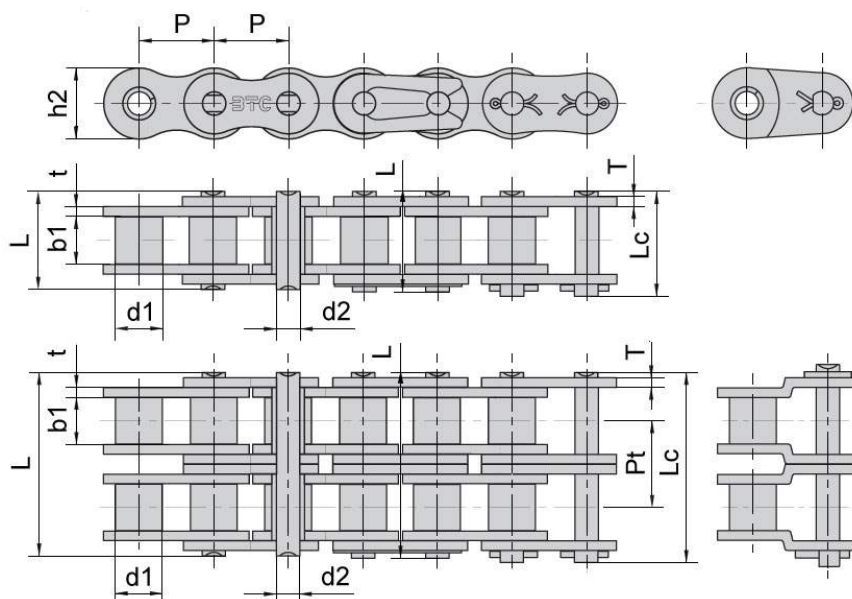



Self-lubrication roller chains - DIN 8187 / 8188 ISO 606 - European / ANSI - American standard - SLR

Simplex and Duplex

SPECIAL REMARKS:

- Maintenance free - extremely higher wear chain life - no lubrication.
- Oil impregnated sintered bushings resisting temperatures ranging from -40°C to +160°C.
- Nickel plated rollers and plates (chemical nickel plated pins).
- Extended bushings that prevent dirt and other abrasive material going inside the SLR chain.

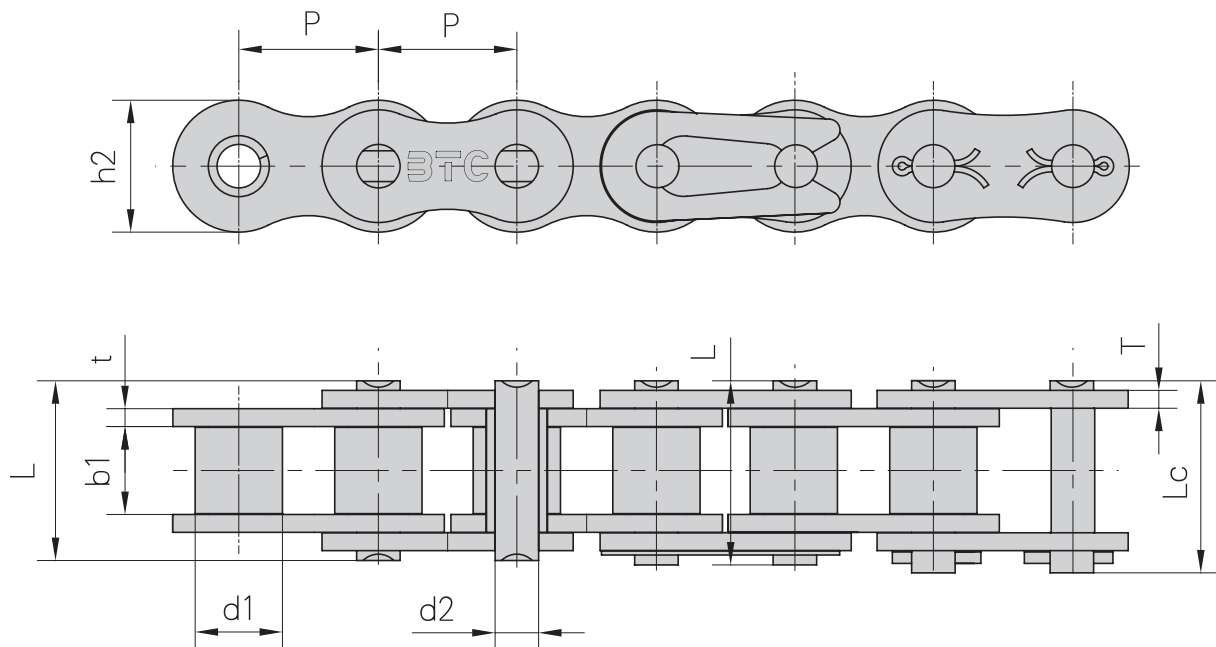


| DIN / ANSI ref.  | Pitch | Roller diameter | Width between inner plates | Pin diam. | Pin length | | Inner plate height | Plate thickness | Transverse pitch | Ultimate tensile strength | Weight per meter |
|--|--------|-----------------|----------------------------|-----------|------------|--------|--------------------|-----------------|------------------|---------------------------|------------------|
| | P | d1 max | b1 min | d2 max | L max | Lc max | h2 max | t/T max | Pt | F _s min | q |
| | mm | mm | mm | mm | mm | mm | mm | mm | mm | kN/LB | kg/m |
| 06B-1SLR | 9,525 | 6,35 | 5,72 | 3,28 | 13,2 | 14,1 | 8,20 | 1,30 | - | 9,0 | 0,41 |
| 08B-1SLR | 12,70 | 8,51 | 7,75 | 4,45 | 16,7 | 18,1 | 11,80 | 1,60 | - | 18,0 | 0,69 |
| 10B-1SLR | 15,875 | 10,16 | 9,65 | 5,08 | 19,6 | 21,0 | 14,70 | 1,70 | - | 22,4 | 0,93 |
| 12B-1SLR | 19,05 | 12,07 | 11,68 | 5,72 | 22,5 | 24,0 | 16,00 | 1,85 | - | 29,0 | 1,15 |
| 16B-1SLR | 25,40 | 15,88 | 17,02 | 8,28 | 35,6 | 37,2 | 21,00 | 4,15/3,1 | - | 60,0 | 2,71 |
| 20B-1SLR | 31,75 | 19,05 | 19,56 | 10,19 | 41,3 | 45,0 | 26,40 | 4,5/3,5 | - | 95,0 | 3,75 |
| 24B-1SLR | 38,10 | 25,40 | 25,40 | 14,63 | 53,4 | 57,8 | 33,20 | 6,0/4,8 | - | 160,0 | 7,08 |
| 06B-2SLR | 9,525 | 6,35 | 5,72 | 3,28 | 23,4 | 24,4 | 8,20 | 1,30 | 10,24 | 16,9 | 0,79 |
| 08B-2SLR | 12,70 | 8,51 | 7,75 | 4,45 | 30,6 | 32,0 | 11,80 | 1,60 | 13,92 | 32,0 | 1,34 |
| 10B-2SLR | 15,875 | 10,16 | 9,65 | 5,08 | 36,2 | 37,6 | 14,70 | 1,70 | 16,59 | 44,5 | 1,84 |
| 12B-2SLR | 19,05 | 12,07 | 11,68 | 5,72 | 41,1 | 43,5 | 16,00 | 1,85 | 19,46 | 57,8 | 2,46 |
| 16B-2SLR | 25,40 | 15,88 | 17,02 | 8,28 | 67,5 | 69,1 | 21,00 | 4,15/3,1 | 31,88 | 106,0 | 5,45 |
| 20B-2SLR | 31,75 | 19,05 | 19,56 | 10,19 | 77,8 | 91,5 | 26,40 | 4,5/3,5 | 36,45 | 170,0 | 7,35 |
| 24B-2SLR | 38,10 | 25,40 | 25,40 | 14,63 | 101,7 | 106,2 | 33,20 | 6,0/4,8 | 48,36 | 319,2 | 12,43 |
| 40-1SLR | 12,70 | 7,95 | 7,85 | 3,96 | 16,3 | 17,8 | 12,00 | 1,50 | - | 14,1 | 0,63 |
| 50-1SLR | 15,875 | 10,16 | 9,40 | 5,08 | 20,2 | 22,2 | 15,09 | 2,03 | - | 22,0 | 1,02 |
| 60-1SLR | 19,05 | 11,91 | 12,57 | 5,94 | 25,9 | 27,5 | 18,00 | 2,42 | - | 34,2 | 1,59 |
| 80-1SLR | 25,40 | 15,88 | 15,75 | 7,92 | 32,8 | 34,1 | 24,00 | 3,25 | - | 56,7 | 2,60 |
| 100-1SLR | 31,75 | 19,05 | 18,90 | 9,53 | 40,4 | 44,7 | 30,00 | 4,00 | - | 88,5 | 3,98 |
| 120-1SLR | 38,10 | 22,23 | 25,22 | 11,10 | 50,3 | 54,3 | 35,70 | 4,80 | - | 127,0 | 5,73 |
| 40-2SLR | 12,70 | 7,95 | 7,85 | 3,96 | 31,0 | 32,2 | 12,00 | 1,50 | 14,38 | 28,2 | 1,12 |
| 50-2SLR | 15,875 | 10,16 | 9,40 | 5,08 | 39,0 | 40,3 | 15,09 | 2,03 | 18,11 | 44,4 | 2,00 |
| 60-2SLR | 19,05 | 11,91 | 12,57 | 5,94 | 48,8 | 50,3 | 18,00 | 2,42 | 22,78 | 68,4 | 3,14 |
| 80-2SLR | 25,40 | 15,88 | 15,75 | 7,92 | 61,9 | 64,2 | 24,00 | 3,25 | 29,29 | 113,4 | 5,32 |
| 100-2SLR | 38,10 | 19,05 | 18,90 | 9,53 | 76,4 | 80,5 | 30,00 | 4,00 | 35,76 | 173,4 | 7,98 |



High precision roller chains - DIN 8187 / DIN 8188 ISO 606 - European / ANSI - American standard

Zinc plated



| ANSI / DIN ref. | Pitch | Roller diameter | Width between inner plates | Pin diameter | Pin length | | Inner plate depth | Plate thickness | Ultimate tensile strength | Weight per meter |
|--------------------|--------|--------------------|----------------------------------|-----------------|------------|-----------|-------------------------|--------------------|---------------------------------|---------------------|
| | | | | | L max | Lc max | | | | |
| | | | | | | | | | | |
| mm | mm | mm | mm | mm | mm | mm | mm | mm | kN/LB | kg/m |
| * 25ZP | 6,35 | 3,30 | 3,18 | 2,31 | 7,90 | 8,40 | 6,00 | 0,80 | 3,50/795 | 0,15 |
| * 35ZP | 9,525 | 5,08 | 4,77 | 3,58 | 12,40 | 13,17 | 9,00 | 1,30 | 7,90/1795 | 0,33 |
| 41ZP | 12,70 | 7,77 | 6,25 | 3,58 | 13,75 | 15,00 | 9,91 | 1,30 | 6,67/1516 | 0,41 |
| 40ZP | 12,70 | 7,95 | 7,85 | 3,96 | 16,60 | 17,80 | 12,00 | 1,50 | 14,10/3205 | 0,62 |
| 50ZP | 15,875 | 10,16 | 9,40 | 5,08 | 20,70 | 22,20 | 15,09 | 2,03 | 22,20/5045 | 1,02 |
| 60ZP | 19,05 | 11,91 | 12,57 | 5,94 | 25,90 | 27,70 | 18,00 | 2,42 | 31,80/7227 | 1,50 |
| 80ZP | 25,40 | 15,88 | 15,75 | 7,92 | 32,70 | 35,00 | 24,00 | 3,25 | 56,70/12886 | 2,60 |
| 100ZP | 31,75 | 19,05 | 18,90 | 9,53 | 40,40 | 44,70 | 30,00 | 4,00 | 88,50/20114 | 3,91 |
| 120ZP | 38,10 | 22,23 | 25,22 | 11,10 | 50,30 | 54,30 | 35,70 | 4,80 | 127,00/28864 | 5,62 |
| 140ZP | 44,45 | 25,40 | 25,22 | 12,70 | 54,40 | 59,00 | 41,00 | 5,60 | 172,40/39182 | 7,50 |
| 160ZP | 50,80 | 28,58 | 31,55 | 14,27 | 64,80 | 69,60 | 47,80 | 6,40 | 226,80/51545 | 10,10 |
| 04BZP | 6,00 | 4,00 | 2,80 | 1,85 | 6,80 | 7,80 | 5,00 | 0,60 | 3,00/682 | 0,11 |
| 05BZP | 8,00 | 5,00 | 3,00 | 2,31 | 8,20 | 8,90 | 7,10 | 0,80 | 5,00/1136 | 0,20 |
| # 06BZP | 9,525 | 6,35 | 5,72 | 3,28 | 13,15 | 14,10 | 8,20 | 1,30 | 9,00/2045 | 0,41 |
| 08BZP | 12,70 | 8,51 | 7,75 | 4,45 | 16,70 | 18,20 | 11,80 | 1,60 | 18,00/4091 | 0,69 |
| 10BZP | 15,875 | 10,16 | 9,65 | 5,08 | 19,50 | 20,90 | 14,70 | 1,70 | 22,40/5091 | 0,93 |
| 12BZP | 19,05 | 12,07 | 11,68 | 5,72 | 22,50 | 24,20 | 16,00 | 1,85 | 60,00/13636 | 1,15 |
| 16BZP | 25,40 | 15,88 | 17,02 | 8,28 | 36,10 | 37,40 | 21,00 | 4,15/3,1 | 95,00/21591 | 2,71 |
| 20BZP | 31,75 | 19,05 | 19,56 | 10,19 | 41,30 | 45,00 | 26,40 | 4,5/3,5 | 95,00/21591 | 3,70 |
| 24BZP | 38,10 | 25,40 | 25,40 | 14,63 | 53,40 | 57,80 | 33,20 | 6,0/4,8 | 160,0/36364 | 7,10 |
| 28BZP | 44,45 | 27,94 | 30,99 | 15,90 | 65,10 | 69,50 | 36,70 | 7,5/6,0 | 200,0/45455 | 8,50 |
| 32BZP | 50,80 | 29,21 | 30,99 | 17,81 | 66,00 | 71,00 | 42,00 | 7,0/6,0 | 250,0/56818 | 10,25 |

*Bushing chain: d1 in the table indicates the external diameter of the bushing.

Straight side plates.

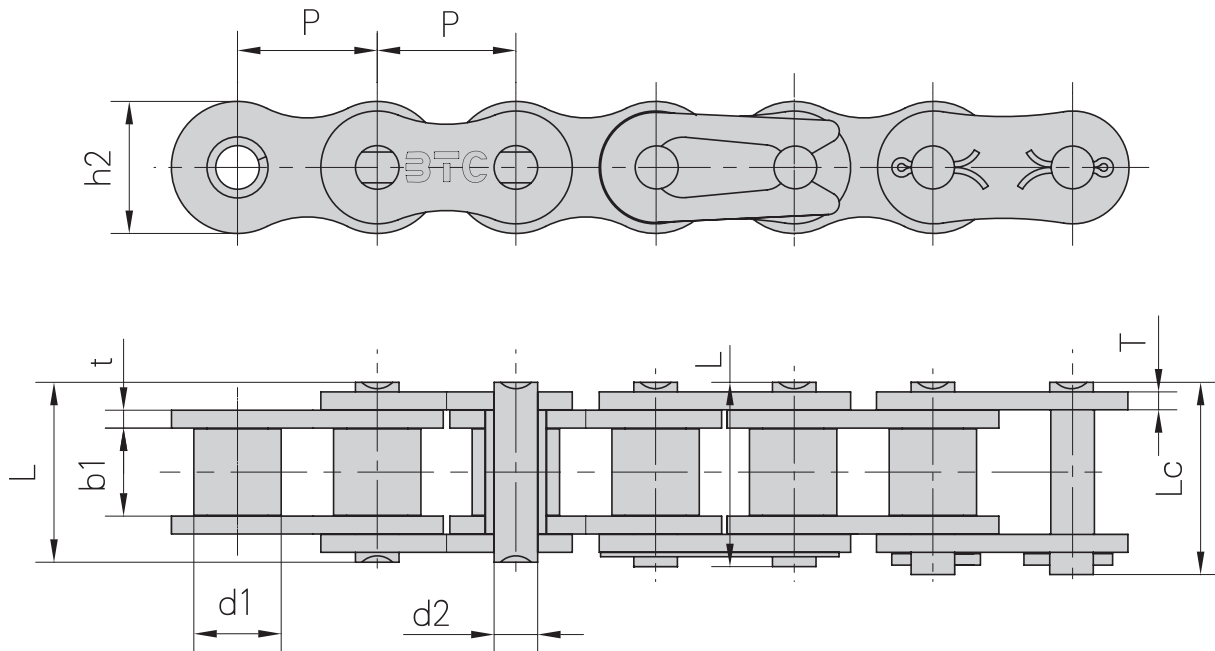
Double strand zinc plated chains are available in all sizes.

Double pitch zinc plated conveyor chains are available upon request.



High precision roller chains - DIN 8187 / 8188 ISO 606 - European / ANSI - American standard

Nickel plated



| ANSI / DIN ref. | Pitch P | Roller diameter d1 max | Width between inner plates | | Pin length | | Inner plate depth h2 max | Plate thickness T max | Ultimate tensile strength F _B min | Weight per meter q |
|--------------------|----------------|-------------------------------------|----------------------------------|-----------|------------|-----------|--|------------------------------------|---|------------------------------|
| | | | b1 min | d2 max | L max | Lc max | | | | |
| | | | mm | mm | mm | mm | | | | |
| *25NP | 6,35 | 3,30 | 3,18 | 2,31 | 7,90 | 8,40 | 6,00 | 0,80 | 3,50/795 | 0,15 |
| *35NP | 9,525 | 5,08 | 4,77 | 3,58 | 12,40 | 13,17 | 9,00 | 1,30 | 7,90/1795 | 0,33 |
| 41NP | 12,70 | 7,77 | 6,25 | 3,58 | 13,75 | 15,00 | 9,91 | 1,30 | 6,67/1516 | 0,41 |
| 40NP | 12,70 | 7,95 | 7,85 | 3,96 | 16,60 | 17,80 | 12,00 | 1,50 | 14,10/3205 | 0,62 |
| 50NP | 15,875 | 10,16 | 9,40 | 5,08 | 20,70 | 22,20 | 15,09 | 2,03 | 22,20/5045 | 1,02 |
| 60NP | 19,05 | 11,91 | 12,57 | 5,94 | 25,90 | 27,70 | 18,00 | 2,42 | 31,80/7227 | 1,50 |
| 80NP | 25,40 | 15,88 | 15,75 | 7,92 | 32,70 | 35,00 | 24,00 | 3,25 | 56,70/12886 | 2,60 |
| 100NP | 31,75 | 19,05 | 18,90 | 9,53 | 40,40 | 44,70 | 30,00 | 4,00 | 88,50/20114 | 3,91 |
| 120NP | 38,10 | 22,23 | 25,22 | 11,10 | 50,30 | 54,30 | 35,70 | 4,80 | 127,00/28864 | 5,62 |
| 140NP | 44,45 | 25,40 | 25,22 | 12,70 | 54,40 | 59,00 | 41,00 | 5,60 | 172,40/39182 | 7,50 |
| 160NP | 50,80 | 28,58 | 31,55 | 14,27 | 64,80 | 69,60 | 47,80 | 6,40 | 226,80/51545 | 10,10 |
| 04BNP | 6,00 | 4,00 | 2,80 | 1,85 | 6,80 | 7,80 | 5,00 | 0,60 | 3,00/682 | 0,11 |
| 05BNP | 8,00 | 5,00 | 3,00 | 2,31 | 8,20 | 8,90 | 7,10 | 0,80 | 5,00/1136 | 0,20 |
| *06BNP | 9,525 | 6,35 | 5,72 | 3,28 | 13,15 | 14,10 | 8,20 | 1,30 | 9,00/2045 | 0,41 |
| 08BNP | 12,70 | 8,51 | 7,75 | 4,45 | 16,70 | 18,20 | 11,80 | 1,60 | 18,00/4091 | 0,69 |
| 10BNP | 15,875 | 10,16 | 9,65 | 5,08 | 19,50 | 20,90 | 14,70 | 1,70 | 22,40/5091 | 0,93 |
| 12BNP | 19,05 | 12,07 | 11,68 | 5,72 | 22,50 | 24,20 | 16,00 | 1,85 | 29,00/6591 | 1,15 |
| 16BNP | 25,40 | 15,88 | 17,02 | 8,28 | 36,10 | 37,40 | 21,00 | 4,15/3,1 | 60,00/13636 | 2,71 |
| 20BNP | 31,75 | 19,05 | 19,56 | 10,19 | 41,30 | 45,00 | 26,40 | 4,5/3,5 | 95,00/21591 | 3,70 |
| 24BNP | 38,10 | 25,40 | 25,40 | 14,63 | 53,40 | 57,80 | 33,20 | 6,0/4,8 | 160,00/36364 | 7,10 |
| 28BNP | 44,45 | 27,94 | 30,99 | 15,90 | 65,10 | 69,50 | 36,70 | 7,5/6,0 | 200,00/45455 | 8,50 |
| 32BNP | 50,80 | 29,21 | 30,99 | 17,81 | 66,00 | 71,00 | 42,00 | 7,0/6,0 | 250,00/56818 | 10,25 |

* Straight side plates.



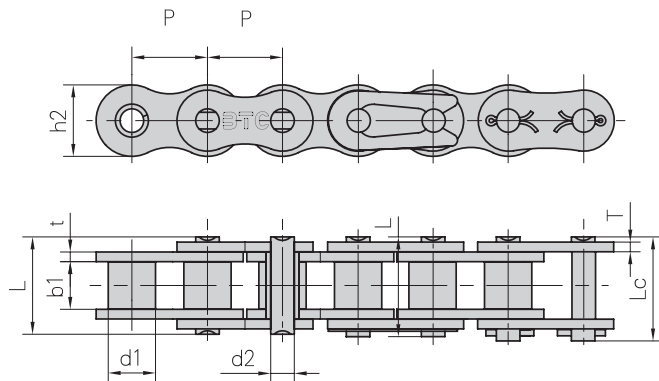
“Coated” corrosion protected high precision roller chains DIN 8187 / 8188 - ISO 606 - European / ANSI - American standard

Simplex

“DR” - “DR+”

SPECIAL REMARKS:

- **DR** coated roller chains are zinc aluminium passivated. Thin dry-film, non-electrolytic, self-lubricated or not. Extremely high performance corrosion protection. Can be used in damp atmospheres and salty air. It offers good durability against astringents, petrol and brake fluid.
- **DR+** coated roller chains are same zinc aluminium passivated but only the pins are chemical nickel plated. This offers improved wear resistance and a surface hardness of 1.000 HV.



| ANSI / DIN ref. | Pitch <i>p</i> | Roller diameter <i>d1</i> max | Width between inner plates <i>b1</i> min | Pin diameter <i>d2</i> max | Pin length | | Inner plate height <i>h2</i> max | Plate thickness <i>t/T</i> max | Breaking load <i>F_B</i> min. | Weight per meter <i>q</i> |
|--------------------|-------------------|--|---|-------------------------------------|-----------------|------------------|---|---|---|---------------------------------|
| | | | | | <i>L</i> max | <i>Lc</i> max | | | | |
| | | | | | mm | mm | | | | |
| *25DR | 6,350 | 3,30 | 3,18 | 2,31 | 7,90 | 8,40 | 6,00 | 0,80 | 3,50/795 | 0,15 |
| *35DR | 9,525 | 5,08 | 4,77 | 3,58 | 12,40 | 13,17 | 9,00 | 1,30 | 7,90/1795 | 0,33 |
| 41DR | 12,70 | 7,77 | 6,25 | 3,58 | 13,75 | 15,00 | 9,91 | 1,30 | 6,67/1516 | 0,41 |
| 40DR | 12,70 | 7,95 | 7,85 | 3,96 | 16,60 | 17,80 | 12,00 | 1,50 | 14,10/3205 | 0,62 |
| 50DR | 15,875 | 10,16 | 9,40 | 5,08 | 20,70 | 22,20 | 15,09 | 2,03 | 22,20/5045 | 1,02 |
| 60DR | 19,05 | 11,91 | 12,57 | 5,94 | 25,90 | 27,70 | 18,00 | 2,42 | 31,80/7227 | 1,50 |
| 80DR | 25,40 | 15,88 | 15,75 | 7,92 | 32,70 | 35,00 | 24,00 | 3,25 | 56,70/12886 | 2,60 |
| 100DR | 31,75 | 19,05 | 18,90 | 9,53 | 40,40 | 44,70 | 30,00 | 4,00 | 88,50/20114 | 3,91 |
| 120DR | 38,10 | 22,23 | 25,22 | 11,10 | 50,30 | 54,30 | 35,70 | 4,80 | 127,00/28864 | 5,62 |
| 140DR | 44,45 | 25,40 | 25,22 | 12,70 | 54,40 | 59,00 | 41,00 | 5,60 | 172,40/39182 | 7,50 |
| 160DR | 50,80 | 28,58 | 31,55 | 14,27 | 64,80 | 69,60 | 47,80 | 6,40 | 226,80/51545 | 10,10 |
| 04BDR | 6,00 | 4,00 | 2,80 | 1,85 | 6,80 | 7,80 | 5,00 | 0,60 | 3,00/682 | 0,11 |
| 05BDR | 8,00 | 5,00 | 3,00 | 2,31 | 8,20 | 8,90 | 7,10 | 0,80 | 5,00/1136 | 0,20 |
| #06BDR | 9,525 | 6,35 | 5,72 | 3,28 | 13,15 | 14,10 | 8,20 | 1,30 | 9,00/2045 | 0,41 |
| 08BDR | 12,70 | 8,51 | 7,75 | 4,45 | 16,70 | 18,20 | 11,80 | 1,60 | 18,00/4091 | 0,69 |
| 10BDR | 15,875 | 10,16 | 9,65 | 5,08 | 19,50 | 20,90 | 14,70 | 1,70 | 22,40/5091 | 0,93 |
| 12BDR | 19,05 | 12,07 | 11,68 | 5,72 | 22,50 | 24,20 | 16,00 | 1,85 | 29,00/6591 | 1,15 |
| 16BDR | 25,40 | 15,88 | 17,02 | 8,28 | 36,10 | 37,40 | 21,00 | 4,15/3,1 | 60,00/13636 | 2,71 |
| 20BDR | 31,75 | 19,05 | 19,56 | 10,19 | 41,30 | 45,00 | 26,40 | 4,5/3,5 | 95,00/21591 | 3,70 |
| 24BDR | 38,10 | 25,40 | 25,40 | 14,63 | 53,40 | 57,80 | 33,20 | 6,0/4,8 | 160,00/36364 | 7,10 |
| 28BDR | 44,45 | 27,94 | 30,99 | 15,90 | 65,10 | 69,50 | 36,70 | 7,5/6,0 | 200,00/45455 | 8,50 |
| 32BDR | 50,80 | 29,21 | 30,99 | 17,81 | 66,00 | 71,00 | 42,00 | 7,0/6,0 | 250,00/56818 | 10,25 |

* Bushing chain: d1 in the table indicates the external diameter of the bushing.

Straight side plates.

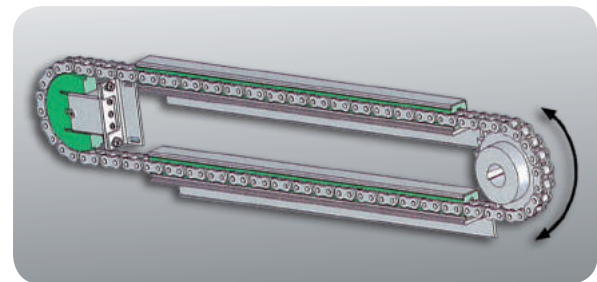
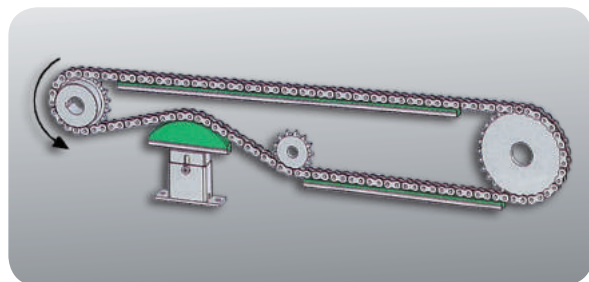
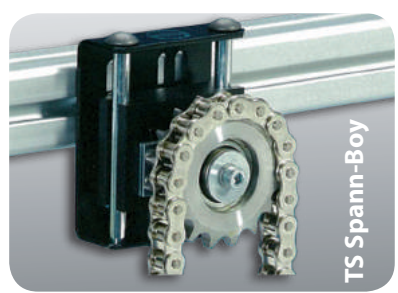
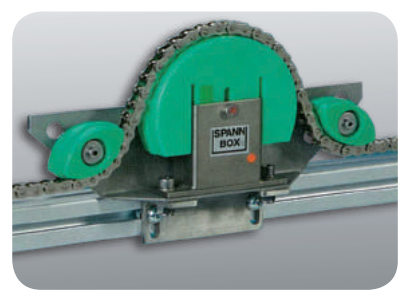
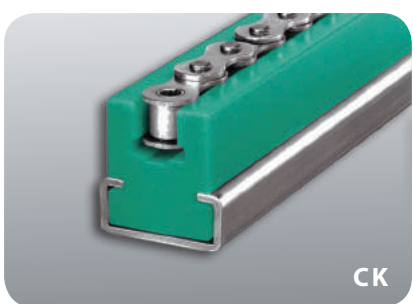
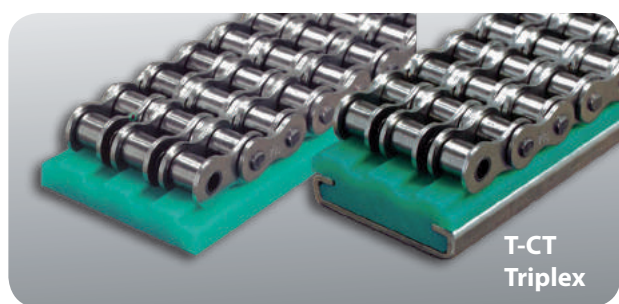
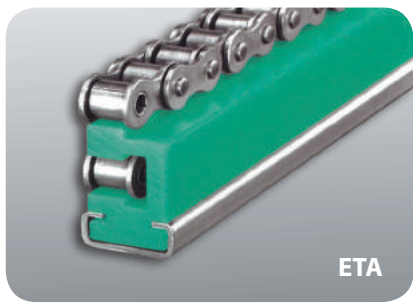
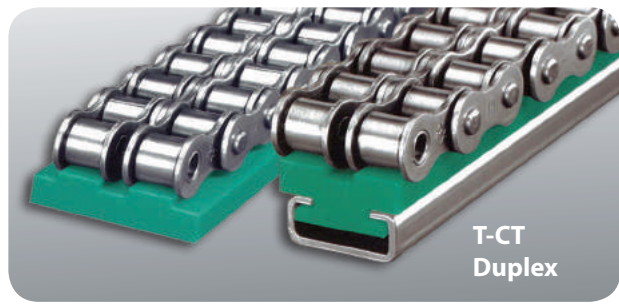
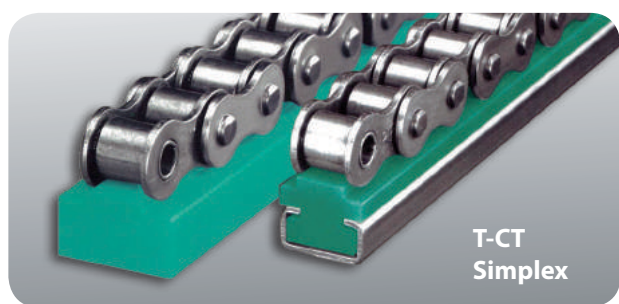
Double strand “Dacromet” coated plated chains are available in all sizes.

Double pitch zinc plated conveyor chains are available upon request.

All chains are also available in “coated plus”
(with chem. nickel plated pins).



Different types of chain - guides



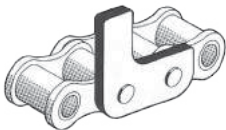
Available from stock.



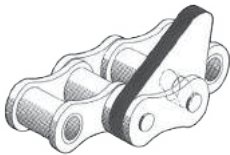
Roller chains with special attachments



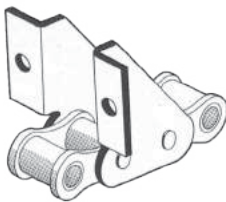
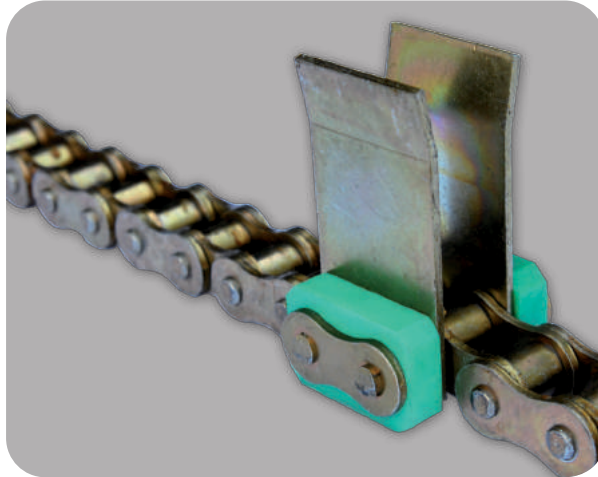
Type 1



Type 2



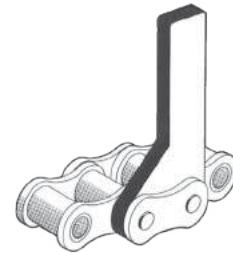
Type 3



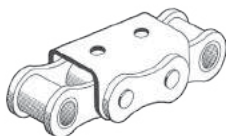
Type 4



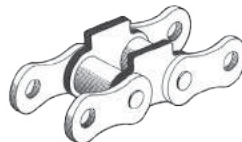
Type 5



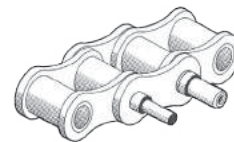
Type 6



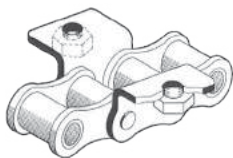
Type 7



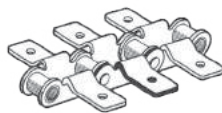
Type 8



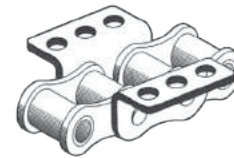
Type 9



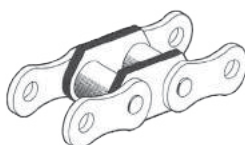
Type 10



Type 11



Type 12



Type 13



Type 14



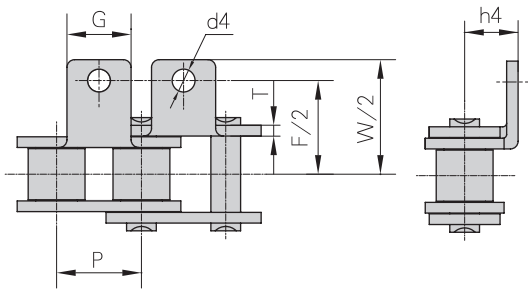
Type 15



European / American standard roller chains with standard attachments

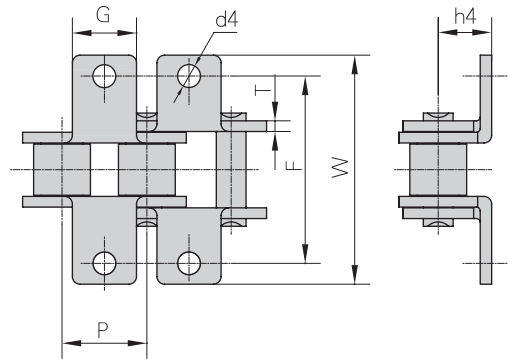
Bent, one hole

A1/1



Example every 4th pitch = A1/4

K1/1



Example every 4th pitch = K1/4

| DIN ref. | ANSI ref. | P | G | F | W | T | h4 | d4 |
|----------|-----------|--------|------|--------|-------|------|-------|------|
| | | mm | mm | mm | mm | mm | mm | mm |
| *06C | 35 | 9,525 | 7,9 | 19,00 | 28,60 | 1,30 | 6,35 | 3,4 |
| 08A | 40 | 12,700 | 9,5 | 25,40 | 35,20 | 1,50 | 7,90 | 3,4 |
| 085 | 41 | 12,700 | 9,5 | 24,00 | 33,4 | 1,30 | 6,90 | 3,6 |
| 10A | 50 | 15,875 | 12,7 | 31,75 | 46,2 | 2,03 | 10,30 | 5,5 |
| 12A | 60 | 19,050 | 15,9 | 38,10 | 55,6 | 2,42 | 11,90 | 5,5 |
| 16A | 80 | 25,400 | 19,1 | 50,80 | 64,8 | 3,25 | 15,90 | 6,8 |
| 20A | 100 | 31,750 | 25,4 | 63,50 | 87,3 | 4,00 | 19,80 | 9,2 |
| 24A | 120 | 38,100 | 28,6 | 76,20 | 108,5 | 4,80 | 23,00 | 9,8 |
| 28A | 140 | 44,450 | 34,9 | 88,90 | 123,0 | 5,60 | 28,60 | 11,4 |
| 32A | 160 | 50,800 | 38,1 | 101,60 | 142,8 | 6,40 | 31,75 | 13,1 |
| 40A | 200 | 63,500 | 50,8 | 127,00 | 179,0 | 8,00 | 42,88 | 16,3 |
| *06B | | 9,525 | 8,0 | 19,04 | 27,0 | 1,30 | 6,50 | 3,5 |
| 08B | | 12,700 | 9,5 | 25,40 | 36,4 | 1,60 | 8,90 | 4,5 |
| 10B | | 15,875 | 14,3 | 31,75 | 44,6 | 1,70 | 10,31 | 5,3 |
| 12B | | 19,050 | 16,0 | 38,10 | 52,4 | 1,85 | 13,46 | 6,4 |
| 16B | | 25,400 | 19,1 | 50,80 | 72,6 | 3,10 | 15,88 | 6,4 |
| 20B | | 31,750 | 35,0 | 63,50 | 100,5 | 3,50 | 19,80 | 9,0 |
| 24B | | 38,100 | 30,0 | 76,20 | 108,4 | 4,80 | 26,67 | 10,5 |
| 28B | | 44,450 | 35,0 | 88,90 | 123,0 | 6,00 | 28,58 | 13,1 |
| 32B | | 50,800 | 38,1 | 101,60 | 142,8 | 6,00 | 31,75 | 13,1 |

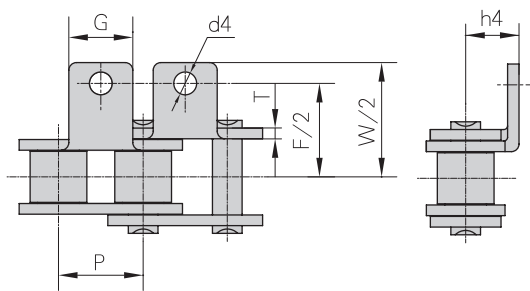
* Straight side plates.



European standard roller chains with special attachments

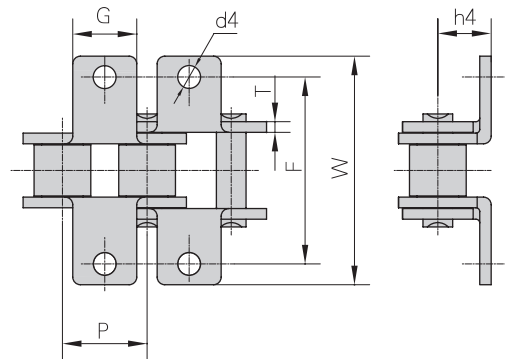
Bent, one hole

A1/1




Example every 4th pitch = A1/4

K1/1



Example every 4th pitch = K1/4

| DIN ref. | P | G | F | W | T | h4 | d4 |
|---|--------|-------|-------|-------|------|-------|------|
|  | mm | mm | mm | mm | mm | mm | mm |
| 08AA1F1 | 12,700 | 9,50 | 38,50 | 44,5 | 1,50 | 8,20 | 3,6 |
| *C08AA1F2 | 12,700 | 10,00 | 25,40 | 33,4 | 1,50 | 9,10 | 3,4 |
| 08AA1F2 | 12,700 | 9,50 | 25,40 | 35,2 | 1,50 | 7,90 | 4,85 |
| 10AK1F3 | 15,875 | 14,29 | 31,75 | 46,2 | 2,03 | 10,30 | 5,5 |
| 10AK1F5 | 15,875 | 20,00 | 39,00 | 50,1 | 2,03 | 12,50 | M5 |
| 10AHK1F1 | 15,875 | 12,70 | 34,00 | 48,4 | 2,42 | 10,30 | M5 |
| 12AK1F1 | 19,050 | 15,90 | 40,00 | 55,6 | 2,42 | 11,90 | 6,2 |
| 12AKF1F4 | 19,050 | 15,90 | 38,10 | 55,5 | 2,42 | 11,90 | M5 |
| 28AA1F1 | 44,450 | 34,90 | 88,90 | 123,0 | 5,60 | 28,60 | 12,0 |
| 28AA1F2 | 44,450 | 44,45 | 88,90 | 124,0 | 5,60 | 28,60 | 12,0 |
| 08BA1F2 | 12,700 | 11,40 | 38,60 | 49,6 | 1,60 | 8,90 | 3,5 |
| 08BK1F5 | 12,700 | 9,50 | 29,00 | 38,7 | 1,60 | 7,10 | 4,5 |
| 08BA1F6 | 12,700 | 18,00 | 25,80 | 37,8 | 1,60 | 8,00 | 4,2 |
| 08BK1F7 | 12,700 | 9,50 | 29,00 | 39,0 | 1,60 | 7,00 | 4,5 |
| 08BF30 | 12,700 | 18,00 | 27,20 | 40,0 | 1,60 | 8,00 | 4,3 |
| 08BF33 | 12,700 | 9,50 | 27,74 | 38,8 | 1,60 | 8,50 | 3,1 |
| 12BA1F1 | 19,050 | 16,00 | 38,10 | 52,4 | 1,85 | 13,46 | 8,2 |
| 16BK1F3 | 25,400 | 19,10 | 50,80 | 72,6 | 3,10 | 15,88 | 8,2 |
| 16BK1F4 | 25,400 | 36,00 | 54,00 | 78,6 | 3,10 | 16,00 | 8,2 |
| 16BK1F5 | 25,400 | 25,00 | 57,80 | 83,6 | 3,10 | 19,00 | 9,0 |
| 16BF14 | 25,400 | 36,20 | 53,90 | 77,8 | 3,10 | 18,00 | M6 |

* Straight side plates.

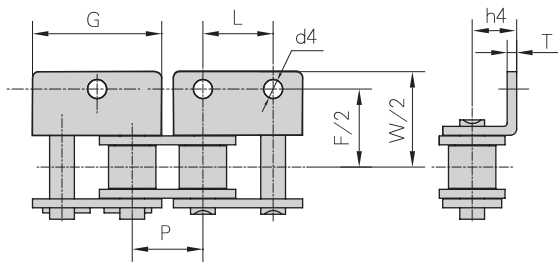


European / American standard roller chains with standard attachments

Bent, one or two holes

WA1

WA2

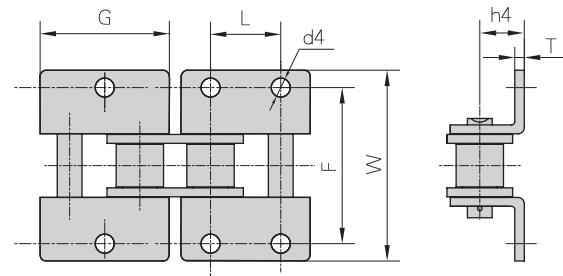


Example every
4th pitch = WA1/4

Example every
2nd pitch = WA2/2

WK1

WK2



Example every
4th pitch = WK1/4

Example every
2nd pitch = WK2/2

| DIN ref. | ANSI ref. | P | G | L | F | W | T | h4 | d4 |
|----------|-----------|--------|--------|--------|--------|--------|------|-------|------|
| | | mm | mm | mm | mm | mm | mm | mm | mm |
| 06C | 35 | 9,525 | 17,32 | 9,525 | 19,00 | 28,60 | 1,30 | 6,35 | 2,8 |
| 08A | 40 | 12,700 | 23,00 | 12,700 | 25,40 | 35,60 | 1,50 | 7,90 | 3,4 |
| 085 | 41 | 12,700 | 22,30 | 12,700 | 24,00 | 35,00 | 1,30 | 7,20 | 4,85 |
| 10A | 50 | 15,875 | 28,80 | 15,875 | 31,75 | 46,80 | 2,03 | 10,30 | 5,5 |
| 12A | 60 | 19,050 | 34,65 | 19,050 | 38,10 | 56,40 | 2,42 | 11,90 | 5,5 |
| 16A | 80 | 25,400 | 45,90 | 25,400 | 50,80 | 73,20 | 3,25 | 15,90 | 6,8 |
| 20A | 100 | 31,750 | 57,65 | 31,750 | 63,50 | 89,80 | 4,00 | 19,80 | 9,2 |
| 24A | 120 | 38,100 | 69,30 | 38,100 | 76,20 | 108,80 | 4,80 | 23,00 | 9,8 |
| 28A | 140 | 44,450 | 80,45 | 44,450 | 88,90 | 123,00 | 5,60 | 28,60 | 11,4 |
| 32A | 160 | 50,800 | 92,00 | 50,800 | 101,60 | 142,80 | 6,40 | 31,75 | 13,1 |
| 40A | 200 | 63,500 | 115,50 | 63,500 | 127,00 | 179,00 | 8,00 | 42,88 | 16,3 |
| 08B | | 12,700 | 24,00 | 12,700 | 25,40 | 36,40 | 1,60 | 8,90 | 4,3 |
| 10B | | 15,875 | 29,58 | 15,875 | 31,80 | 44,60 | 1,70 | 10,31 | 5,3 |
| 12B | | 19,050 | 34,05 | 19,050 | 38,10 | 52,40 | 1,85 | 13,46 | 6,4 |
| 16B | | 25,400 | 46,40 | 25,400 | 50,80 | 72,60 | 3,10 | 15,88 | 6,4 |
| 20B | | 31,750 | 58,10 | 31,750 | 63,00 | 100,50 | 3,50 | 19,80 | 9,0 |
| 24B | | 38,100 | 71,30 | 38,100 | 76,20 | 108,40 | 4,80 | 26,67 | 10,5 |
| 28B | | 44,450 | 81,10 | 44,450 | 88,90 | 123,00 | 6,00 | 28,58 | 13,1 |
| 32B | | 50,800 | 92,80 | 50,800 | 101,60 | 142,80 | 6,00 | 31,75 | 13,1 |



European / American standard roller chains with special attachments

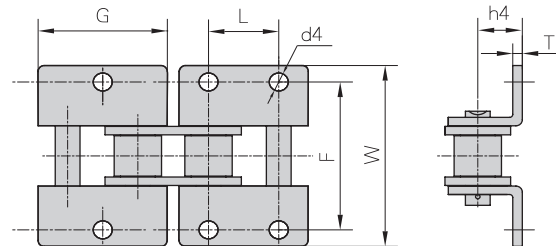
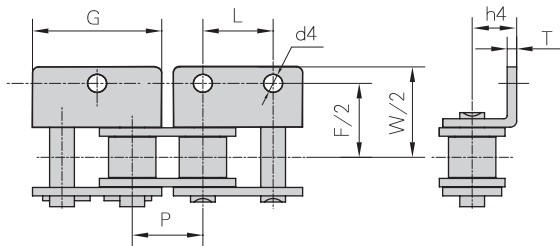
Bent, one or two holes

WA1

WA2

WK1

WK2



Example every 4th pitch = WA1/4 Example every 2nd pitch = WA2/2

Example every 4th pitch = WK1/4 Example every 2nd pitch = WK2/2

| DIN ref. | P | G | L | F | W | T | h4 | d4 |
|-----------|--------|--------|--------|--------|--------|------|-------|-------|
| | mm | mm | mm | mm | mm | mm | mm | mm |
| *06BWK2F1 | 9,525 | 12,70 | 9,525 | 19,05 | 28,50 | 1,30 | 6,70 | 4,10 |
| 08AWA2F2 | 12,700 | 23,00 | 12,700 | 25,40 | 35,60 | 1,50 | 7,90 | 3,60 |
| 08BWA2F4 | 12,700 | 24,00 | 12,700 | 25,40 | 36,40 | 1,60 | 8,90 | 4,30 |
| 08BWA1F1 | 12,700 | 23,30 | | 27,40 | 38,80 | 1,60 | 8,00 | 4,30 |
| 08BWA1F6 | 12,700 | 24,00 | | 25,40 | 38,80 | 1,60 | 8,90 | 6,60 |
| 08BWK2F2 | 12,700 | 23,20 | 12,700 | 28,40 | 42,60 | 3,00 | 8,50 | 5,40 |
| 08BWK2F3 | 12,700 | 23,20 | 12,700 | 32,00 | 43,60 | 1,60 | 10,00 | 4,50 |
| 10AWK1F1 | 15,875 | 28,80 | | 31,75 | 46,00 | 2,03 | 1,30 | 8,20 |
| 10AWK1F2 | 15,875 | 30,00 | | 31,75 | 46,00 | 2,03 | 10,30 | 5,20 |
| 10BWA2F2 | 15,875 | 28,36 | 15,760 | 30,40 | 39,80 | 1,60 | 10,50 | 5,20 |
| 10BWK2F2 | 15,875 | 28,36 | 15,760 | 30,40 | 39,80 | 1,60 | 40,50 | 5,20 |
| 10BWK2F3 | 15,875 | 29,90 | 15,880 | 31,59 | 45,59 | 1,60 | 10,50 | 5,30 |
| 12BWA1F2 | 19,050 | 34,05 | | 38,10 | 26,20 | 1,85 | 13,46 | 5,50 |
| 12BWA2F2 | 19,050 | 34,90 | 19,000 | 35,00 | 50,60 | 1,85 | 12,00 | 6,20 |
| 12BWA2F5 | 19,050 | 30,00 | 20,000 | 39,60 | 55,30 | 1,85 | 14,00 | M6 |
| 12BWK1F1 | 19,050 | 34,05 | | 38,10 | 52,40 | 1,85 | 13,46 | 8,50 |
| 12BWK2F7 | 19,050 | 34,90 | 19,000 | 35,00 | 55,40 | 1,85 | 12,20 | 6,40 |
| 16AWK1F1 | 25,400 | 45,90 | | 50,80 | 73,20 | 3,25 | 15,90 | 8,00 |
| 16AWK1F2 | 25,400 | 45,90 | | 50,80 | 73,20 | 3,25 | 15,90 | 12,00 |
| 16BWK1F | 25,400 | 46,00 | | 57,20 | 78,50 | 3,10 | 15,90 | 8,10 |
| 16BWK2F1 | 25,400 | 48,00 | 25,400 | 58,00 | 75,90 | 3,10 | 18,00 | 9,00 |
| 16BWK2F3 | 25,400 | 46,40 | 25,400 | 58,08 | 72,60 | 3,10 | 15,88 | 8,20 |
| 20BWK2F1 | 31,750 | 58,10 | 31,750 | 67,94 | 100,54 | 3,50 | 19,80 | 9,00 |
| 28AWK2F1 | 44,450 | 82,00 | 42,000 | 69,50 | 99,00 | 5,60 | 25,10 | 10,50 |
| 32AWK2F3 | 50,800 | 100,00 | 70,000 | 100,00 | 140,00 | 6,40 | 31,75 | 18,00 |

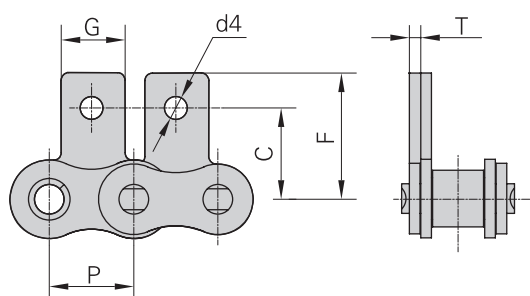
* Straight sideplates



European / American standard roller chains with special attachments

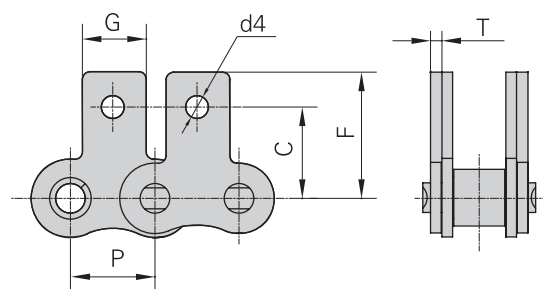
Straight, one hole

SA1 / 1



Example every 4th pitch =SA1/4

SK1 / 1



Example every 4th pitch =SK1/4

| DIN ref. | ANSI ref. | P | G | C | F | T | d4 |
|----------|-----------|--------|------|-------|-------|------|------|
| | | mm | mm | mm | mm | mm | mm |
| 06C | 35 | 9,525 | 7,9 | 9,50 | 14,55 | 1,30 | 3,4 |
| 08A | 40 | 12,70 | 9,5 | 12,70 | 19,05 | 1,50 | 0,4 |
| 085 | 41 | 12,70 | 9,5 | 11,85 | 16,55 | 1,30 | 3,6 |
| 10A | 50 | 15,875 | 12,7 | 15,90 | 25,25 | 2,03 | 5,5 |
| 12A | 60 | 19,05 | 15,9 | 18,30 | 29,33 | 2,42 | 5,5 |
| 16A | 80 | 25,40 | 19,1 | 24,60 | 34,70 | 3,25 | 6,8 |
| 20A | 100 | 31,75 | 25,4 | 31,80 | 43,30 | 4,00 | 9,2 |
| 24A | 120 | 38,10 | 28,6 | 36,50 | 51,60 | 4,80 | 9,8 |
| 28A | 140 | 44,45 | 34,9 | 44,50 | 62,00 | 5,60 | 11,4 |
| 32A | 160 | 50,80 | 38,1 | 50,83 | 69,85 | 6,40 | 13,1 |
| 40A | 200 | 63,50 | 50,8 | 63,50 | 88,90 | 8,00 | 16,3 |
| *06B | | 9,525 | 8,0 | 9,52 | 13,50 | 1,30 | 3,5 |
| 08B | | 12,70 | 9,5 | 13,35 | 18,90 | 1,60 | 4,3 |
| 10B | | 15,875 | 14,3 | 16,50 | 22,95 | 1,70 | 5,3 |
| 12B | | 19,05 | 16,0 | 21,45 | 28,60 | 1,85 | 6,4 |
| 16B | | 25,40 | 19,1 | 23,15 | 34,00 | 3,10 | 6,4 |
| 20B | | 31,75 | 25,4 | 30,50 | 45,70 | 3,50 | 9,0 |
| 24B | | 38,10 | 30,0 | 36,00 | 52,90 | 4,80 | 10,5 |

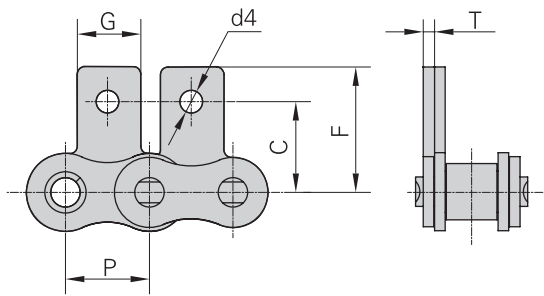
* Straight side plates



European / American standard roller chains with special attachments

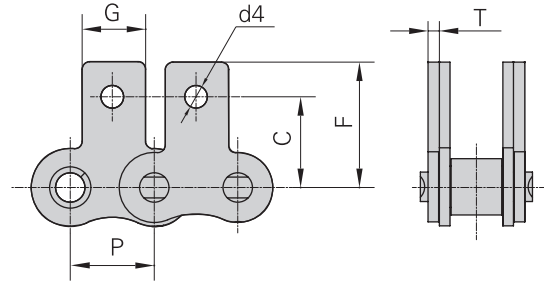
Straight, one hole

SA1 / 1




Example every 4th pitch = SA1/4

SK1 / 1



Example every 4th pitch = SK1/4

|  DIN ref. | P | G | C | F | T | d4 |
|---|--------|-------|--------|-------|------|-------|
| | mm | mm | mm | mm | mm | mm |
| *06BSK1F2 | 9,525 | 8,00 | 9,500 | 13,50 | 1,15 | 3,50 |
| 08ASA1F1 | 12,700 | 9,50 | 8,730 | 17,50 | 1,50 | 3,60 |
| 08ASA1F3 | 12,700 | 9,60 | 12,700 | 17,30 | 1,50 | 3,60 |
| 08BSA1F1 | 12,700 | 18,00 | 15,000 | 21,50 | 1,60 | 6,30 |
| 08BSA1F8 | 12,700 | 12,50 | 14,700 | 20,30 | 1,60 | 4,50 |
| 08BSA1F9 | 12,700 | 12,50 | 14,700 | 18,90 | 1,60 | 4,50 |
| 08BSK1F2 | 12,700 | 11,00 | 13,400 | 19,50 | 1,60 | 4,30 |
| 08BSK1F3 | 12,700 | 11,00 | 14,100 | 18,90 | 1,55 | 4,30 |
| 08BSK1F4 | 12,700 | 11,00 | 13,350 | 18,90 | 1,60 | 6,50 |
| 08BSK1F5 | 12,700 | 9,50 | 13,350 | 19,30 | 1,60 | 6,30 |
| 08BSK1F6 | 12,700 | 11,00 | 14,300 | 20,80 | 1,60 | 4,30 |
| 08BSK1F7 | 12,700 | 11,00 | 13,000 | 93,00 | 1,60 | 4,45 |
| 10ASA0F2 | 15,875 | 28,50 | | 23,60 | 2,03 | |
| 10ASK1F1 | 15,875 | 20,00 | 15,680 | 22,88 | 2,03 | 8,50 |
| 10ASK1F3 | 15,875 | 12,70 | 15,250 | 23,60 | 2,03 | 5,30 |
| 10BSA1F3 | 15,875 | 24,00 | 16,000 | 24,20 | 1,70 | 5,10 |
| 12ASA1F4 | 19,050 | 15,90 | 18,300 | 29,33 | 2,42 | 8,50 |
| 12ASK1F1 | 19,050 | 15,90 | 18,300 | 29,33 | 2,42 | 6,10 |
| 12BSK1F1 | 19,050 | 18,00 | 18,200 | 28,10 | 1,80 | 6,40 |
| 16ASAF1 | 25,400 | 19,10 | | 34,70 | 3,25 | |
| 16ASAF2 | 25,400 | 19,10 | | 34,70 | 3,25 | |
| 16BSK1F2 | 25,400 | 24,00 | 25,400 | 37,40 | 3,00 | 8,20 |
| 16BSK1F3 | 25,400 | 19,10 | 23,150 | 34,00 | 3,10 | 9,00 |
| 16AWSK1F3 | 25,400 | 45,90 | 16,000 | 34,40 | 3,25 | 14,52 |
| 24BSK1F1 | 38,100 | 30,00 | 42,650 | 61,70 | 4,80 | 10,50 |

* Straight side plates



European / American standard roller chains with special attachments

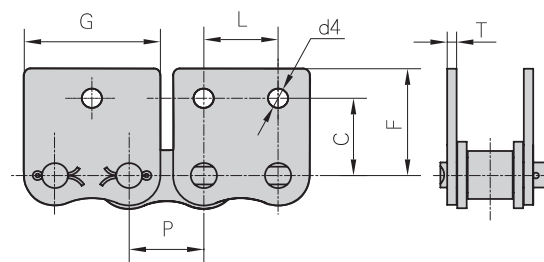
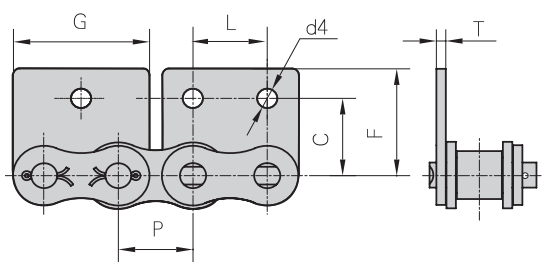
Straight, one or two holes

WSA1

WSA2

WSK1

WSK2



Example every
4th pitch = WSA / 4

Example every
2nd pitch = WSA2 / 2

Example every
4th pitch = WSK1 / 4

Example every
2nd pitch = WSK2 / 2

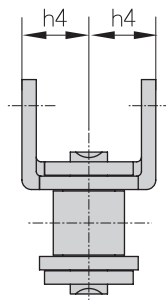
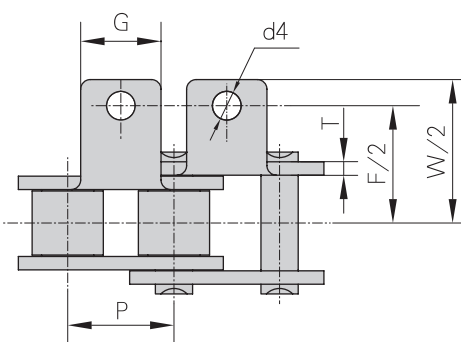
| DIN ref. | ANSI ref. | P | G | L | C | F | T | d4 |
|----------|-----------|--------|--------|--------|-------|-------|------|------|
| | | mm | mm | mm | mm | mm | mm | mm |
| 06C | 35 | 9,525 | 17,32 | 9,525 | 9,50 | 14,55 | 1,30 | 2,8 |
| 08A | 40 | 12,700 | 23,00 | 12,700 | 12,70 | 17,40 | 1,50 | 3,4 |
| 085 | 41 | 12,700 | 21,20 | 12,700 | 11,85 | 16,55 | 1,30 | 3,6 |
| 10A | 50 | 15,875 | 28,80 | 15,875 | 15,90 | 23,05 | 2,03 | 5,5 |
| 12A | 60 | 19,050 | 34,65 | 19,050 | 18,30 | 26,86 | 2,42 | 5,5 |
| 16A | 80 | 25,400 | 45,90 | 25,400 | 24,60 | 35,45 | 3,25 | 6,8 |
| 20A | 100 | 31,750 | 57,65 | 31,750 | 31,80 | 44,00 | 4,00 | 9,2 |
| 24A | 120 | 38,100 | 69,30 | 38,100 | 36,50 | 51,60 | 4,80 | 9,8 |
| 28A | 140 | 44,450 | 80,45 | 44,450 | 44,50 | 62,00 | 5,60 | 11,4 |
| 32A | 160 | 50,800 | 92,00 | 50,800 | 50,80 | 69,85 | 6,40 | 13,1 |
| 40A | 200 | 63,500 | 115,50 | 63,500 | 63,50 | 88,90 | 8,00 | 16,3 |
| 08B | | 12,700 | 23,30 | 12,700 | 13,35 | 18,90 | 1,60 | 4,3 |
| 10B | | 15,875 | 29,58 | 15,875 | 16,50 | 22,95 | 1,70 | 5,3 |
| 12B | | 19,050 | 34,05 | 19,050 | 21,45 | 28,60 | 1,85 | 6,4 |
| 16B | | 25,400 | 46,40 | 25,400 | 23,15 | 34,00 | 3,10 | 6,4 |
| 20B | | 31,750 | 58,10 | 31,750 | 30,50 | 45,70 | 3,50 | 9,0 |



Bent European / American roller chains with special attachments

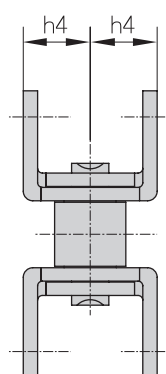
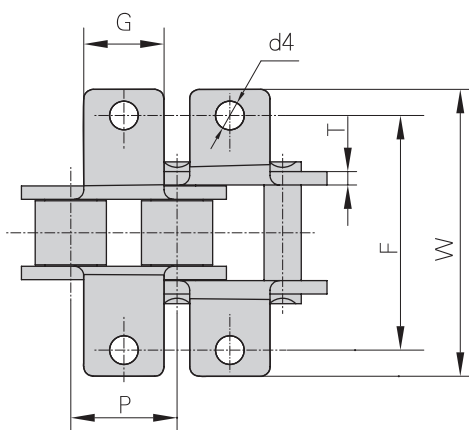
U-type, one hole

UA1/1



Example every
4th pitch = UA1/4

UK1/1



Example every
4th pitch = UK1/4

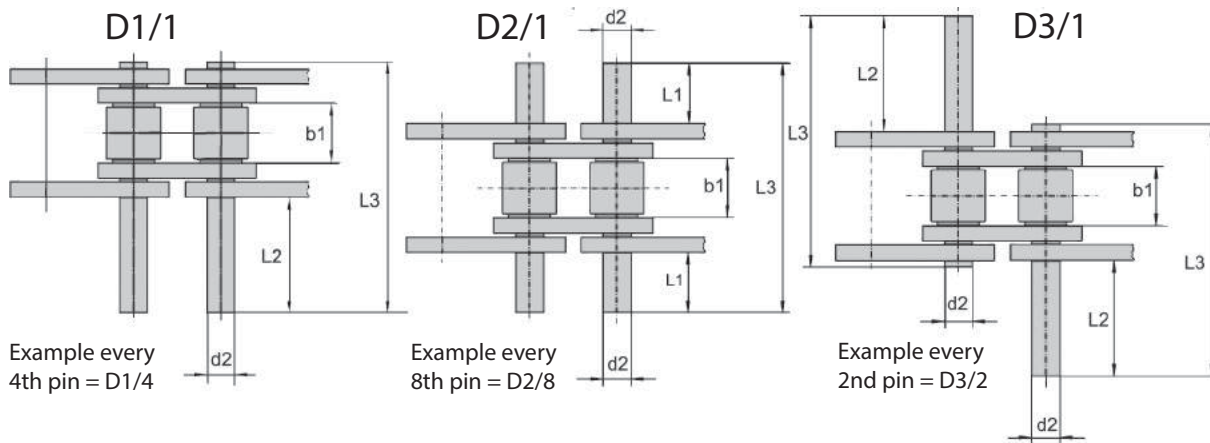
| DIN ref. | ANSI ref. | P | G | F | W | T | h4 | d4 |
|----------|-----------|--------|-------|--------|--------|------|-------|-----|
| | | mm | mm | mm | mm | mm | mm | mm |
| 08A | 40 | 12,700 | 9,50 | 25,400 | 35,20 | 1,50 | 7,90 | 3,4 |
| 10A | 50 | 15,875 | 12,70 | 31,750 | 46,20 | 2,03 | 10,30 | 5,5 |
| 12A | 60 | 19,050 | 15,90 | 38,100 | 55,60 | 2,42 | 11,90 | 5,5 |
| 16A | 80 | 25,400 | 19,10 | 50,800 | 64,80 | 3,25 | 15,90 | 6,8 |
| 20A | 100 | 31,750 | 25,40 | 63,500 | 87,30 | 4,00 | 19,80 | 9,2 |
| *06B | | 9,525 | 8,00 | 19,040 | 27,00 | 1,30 | 6,50 | 3,5 |
| 08B | | 12,700 | 9,50 | 25,400 | 36,40 | 1,60 | 8,90 | 4,5 |
| 10B | | 15,875 | 14,30 | 31,750 | 44,60 | 1,70 | 10,31 | 5,3 |
| 12B | | 19,050 | 16,00 | 38,100 | 52,40 | 1,85 | 13,46 | 6,4 |
| 16B | | 25,400 | 19,10 | 50,800 | 72,60 | 3,10 | 15,88 | 6,4 |
| 20B | | 31,750 | 35,00 | 63,500 | 100,50 | 3,50 | 19,80 | 9,0 |



Roller chains with extended pins - DIN 8187 / 8188

ISO 606 - European / American standard

One or both sides



| DIN ref. | ANSI ref. | <i>p</i> | <i>b</i> ₁ | <i>d</i> ₂ | <i>L</i> ₁ max | <i>L</i> ₂ max | <i>L</i> ₃ max |
|-----------|-----------|----------|-----------------------|-----------------------|---------------------------|---------------------------|---------------------------|
| | | mm | mm | mm | mm | mm | mm |
| 08A -(2) | 40 | 12,700 | 7,85 | 3,96 | 8,8 | 16,5 | 32,3 |
| 08A -(3) | 40 | 12,700 | 7,85 | 3,96 | 16,0 | 30,0 | 46,7 |
| 10A -(2) | 50 | 15,875 | 9,40 | 5,08 | 10,8 | 20,6 | 39,9 |
| 10A -(3) | 50 | 15,875 | 9,40 | 5,08 | 19,8 | 39,2 | 57,9 |
| 12A -(2) | 60 | 19,050 | 12,57 | 5,94 | 13,5 | 25,7 | 49,8 |
| 12A -(3) | 60 | 19,050 | 12,57 | 5,94 | 24,9 | 48,5 | 72,6 |
| 16A -(2) | 80 | 25,400 | 15,75 | 7,92 | 16,9 | 32,2 | 62,7 |
| 16A -(3) | 80 | 25,400 | 15,75 | 7,92 | 31,4 | 61,2 | 91,7 |
| 20A -(2) | 100 | 31,750 | 18,90 | 9,53 | 20,4 | 39,1 | 77,0 |
| 20A -(3) | 100 | 31,750 | 18,90 | 9,53 | 38,4 | 75,1 | 113,0 |
| 24A -(2) | 120 | 38,100 | 25,22 | 11,10 | 25,4 | 48,9 | 96,3 |
| 24A -(3) | 120 | 38,100 | 25,22 | 11,10 | 47,7 | 93,6 | 141,0 |
| 05 B -(2) | - | 8,000 | 3,00 | 2,31 | 3,9 | 7,1 | 14,3 |
| 05 B -(3) | - | 8,000 | 3,00 | 2,31 | 6,7 | 12,7 | 19,9 |
| 06 B -(2) | - | 9,525 | 5,72 | 3,28 | 6,6 | 12,2 | 23,8 |
| 06 B -(3) | - | 9,525 | 5,72 | 3,28 | 11,7 | 22,4 | 34,0 |
| 08 B -(2) | - | 12,700 | 7,75 | 4,45 | 8,2 | 15,5 | 31,0 |
| 08 B -(3) | - | 12,700 | 7,75 | 4,45 | 15,2 | 29,4 | 44,9 |
| 10 B -(2) | - | 15,875 | 9,65 | 5,08 | 9,8 | 18,5 | 36,2 |
| 10 B -(3) | - | 15,875 | 9,65 | 5,08 | 18,1 | 35,1 | 52,8 |
| 12 B -(2) | - | 19,050 | 11,68 | 5,72 | 11,4 | 21,5 | 42,2 |
| 12 B -(3) | - | 19,050 | 11,68 | 5,72 | 21,1 | 41,0 | 61,7 |
| 16 B -(2) | - | 25,400 | 17,02 | 8,28 | 18,0 | 34,5 | 68,0 |
| 16 B -(3) | - | 25,400 | 17,02 | 8,28 | 34,0 | 66,4 | 99,9 |
| 20 B -(2) | - | 31,750 | 19,56 | 10,19 | 20,6 | 39,4 | 79,0 |
| 20 B -(3) | - | 31,750 | 19,56 | 10,19 | 39,1 | 76,4 | 116,0 |
| 24 B -(2) | - | 38,100 | 25,40 | 14,63 | 26,2 | 50,4 | 101,0 |
| 24 B -(3) | - | 38,100 | 25,40 | 14,63 | 50,7 | 99,4 | 150,0 |

(2) pins from duplex chain

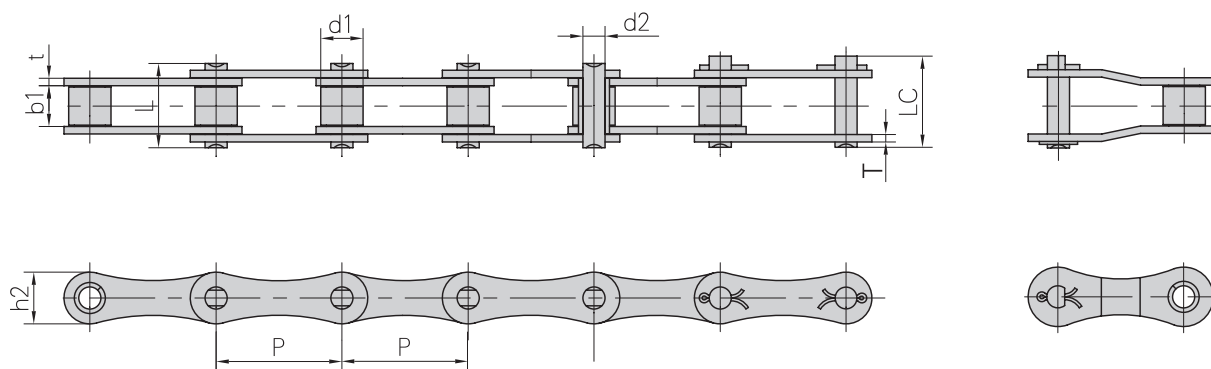
(3) pins from triplex chain or on request other lengths



Double pitch conveyor chains - DIN 8187 / 8188 ISO 606 - European / ANSI - American standard

Simplex

ROLLER CHAINS



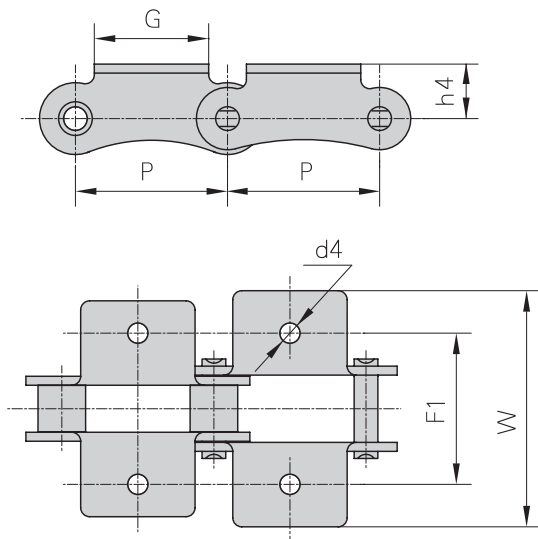
| DIN ref. | ANSI ref. | Pitch | Roller diameter | Width between inner plates | Pin diameter | Pin length | | Inner plate height | Plate thickness | Ultimate tensile strength | Average tensile strength | Weight per meter |
|---|-----------|--------|-----------------|----------------------------|--------------|------------|--------|--------------------|-----------------|---------------------------|--------------------------|------------------|
| | | | | | | L max | Lc max | | | | | |
| | | | | | | mm | mm | | | | | |
|  | | P | d1 max | b1 min | d2 max | L max | Lc max | h2 max | t/T max | FB min | FBA | q |
| | | mm | mm | mm | mm | mm | mm | mm | mm | kN/LB | kN | kg/m |
| 208A | 2040 | 25,40 | 7,95 | 7,85 | 3,96 | 16,6 | 17,8 | 12,0 | 1,50 | 14,1/3205 | 16,7 | 0,42 |
| 208B | | 25,40 | 8,51 | 7,75 | 4,45 | 16,7 | 18,2 | 11,8 | 1,60 | 18,0/4091 | 19,4 | 0,45 |
| 210A | 2050 | 31,75 | 10,16 | 9,40 | 5,08 | 20,7 | 22,2 | 15,0 | 2,03 | 22,2/5045 | 28,1 | 0,73 |
| 210B | | 31,75 | 10,16 | 9,65 | 5,08 | 19,5 | 20,9 | 14,7 | 1,70 | 22,4/5091 | 27,5 | 0,65 |
| 212A | 2060 | 38,10 | 11,91 | 12,57 | 5,94 | 25,9 | 27,7 | 18,0 | 2,42 | 31,8/7227 | 36,8 | 1,02 |
| 212B | | 38,10 | 12,07 | 11,68 | 5,72 | 22,5 | 25,2 | 16,0 | 1,85 | 29,0/6591 | 32,2 | 0,76 |
| 216A | 2080 | 50,80 | 15,88 | 15,75 | 7,92 | 32,7 | 36,5 | 24,0 | 3,25 | 56,7/12886 | 65,7 | 1,70 |
| 216AH | 2080H | 50,80 | 15,88 | 15,75 | 7,92 | 36,2 | 39,4 | 24,0 | 4,00 | 56,7/12886 | 70,0 | 2,17 |
| 216B | | 50,80 | 15,88 | 17,02 | 8,28 | 36,1 | 39,1 | 21,0 | 4,15/3,1 | 60,0/13636 | 72,8 | 1,75 |
| 220A | 2100 | 63,50 | 19,05 | 18,90 | 9,53 | 40,4 | 44,7 | 30,0 | 4,00 | 88,5/20114 | 102,6 | 2,55 |
| 220B | | 63,50 | 19,05 | 19,56 | 10,19 | 41,3 | 45,0 | 26,4 | 4,5/3,5 | 95,0/14773 | 106,7 | 2,62 |
| 224A | 2120 | 76,20 | 22,23 | 25,22 | 11,10 | 50,3 | 54,3 | 35,7 | 4,80 | 127,0/28864 | 147,3 | 4,06 |
| 224B | | 76,20 | 25,40 | 25,40 | 14,63 | 53,4 | 57,8 | 33,2 | 6,0/4,8 | 160,0/36364 | 178,0 | 4,70 |
| 228B | | 88,90 | 27,94 | 30,99 | 15,90 | 65,1 | 69,5 | 36,7 | 7,5/6,0 | 200,0/45455 | 222,0 | 6,23 |
| 232B | | 101,60 | 29,21 | 30,99 | 17,81 | 66,0 | 71,0 | 42,0 | 7,0/6,0 | 250,0/56818 | 277,5 | 6,72 |



Double pitch conveyor chains with attachments

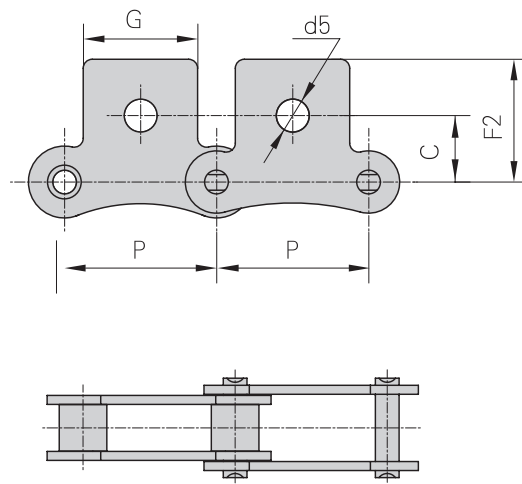
Bent and straight

K1/1




Example every 4th pitch = K1/4

SK1/1



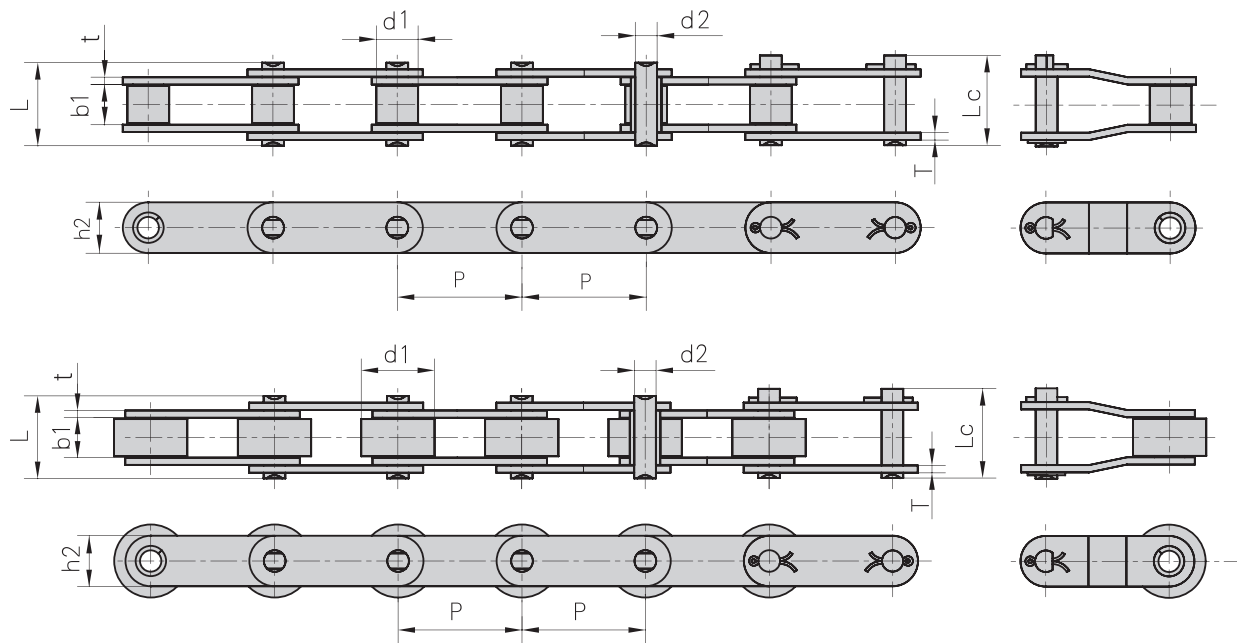
Example every 4th pitch = SK1/4

| DIN ref. | ANSI ref. | P | G | F1 | W | h4 | d4 | C | F2 | d5 |
|---|-----------|-------|------|------|-------|------|------|------|------|------|
|  | | mm | mm | mm | mm | mm | mm | mm | mm | mm |
| 208A | 2040 | 25,40 | 19,1 | 25,4 | 39,6 | 9,1 | 3,4 | 11,1 | 20,5 | 5,5 |
| 210A | 2050 | 31,75 | 23,8 | 31,8 | 49,0 | 11,1 | 5,5 | 14,3 | 25,0 | 6,6 |
| 212A | 2060 | 38,10 | 28,6 | 42,9 | 67,8 | 14,7 | 5,5 | 17,5 | 32,9 | 9,2 |
| 216A | 2080 | 50,80 | 38,1 | 55,6 | 87,8 | 19,1 | 6,8 | 22,2 | 43,5 | 11,0 |
| 220A | 2100 | 63,50 | 47,6 | 66,6 | 107,5 | 23,4 | 9,2 | 28,6 | 50,4 | 13,0 |
| 224A | 2120 | 76,20 | 57,2 | 79,3 | 121,4 | 27,8 | 10,5 | 33,3 | 55,5 | 15,0 |
| 208B | | 25,40 | 23,2 | 25,4 | 39,6 | 9,1 | 4,5 | 11,1 | 20,5 | 5,5 |
| 210B | | 31,75 | 23,8 | 31,8 | 49,0 | 11,1 | 5,5 | | | |
| 212B | | 38,10 | 35,0 | 38,1 | 57,0 | 14,7 | 6,6 | | | |
| 216B | | 50,80 | 44,0 | 50,8 | 84,0 | 19,1 | 6,6 | | | |
| 220B | | 63,50 | 52,0 | 63,5 | 104,0 | 23,4 | 8,4 | | | |
| 224B | | 76,20 | 60,0 | 76,2 | 120,0 | 27,8 | 10,5 | | | |



Double pitch straight side plates conveyor chains DIN 8187/8188 - ISO 606 - European / ANSI - American standard

Simplex



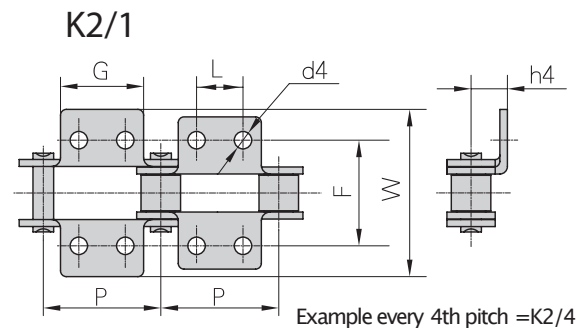
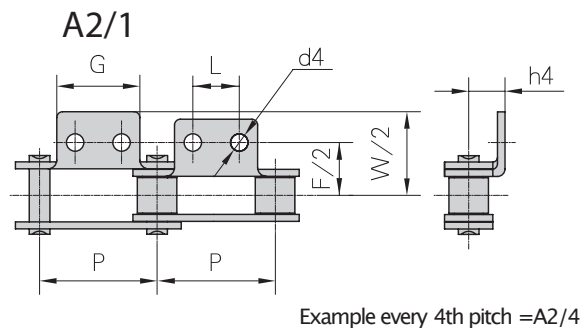
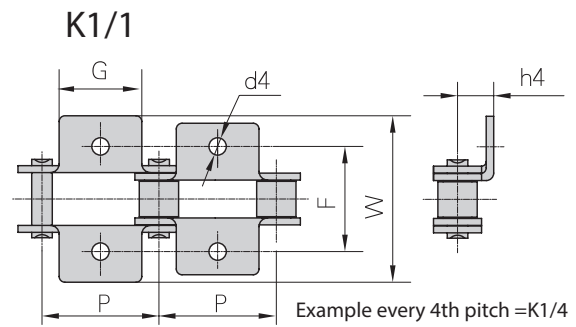
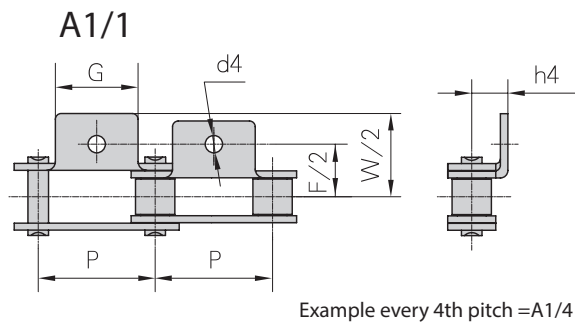
| DIN ref. | ANSI ref. | Width between inner plates | | Pin diameter | | Pin length | | Inner plate height | Plate thickness | Ultimate tensile strength | Average tensile strength | Weight per meter |
|-------------------|--------------------|----------------------------|----------------|--------------|--------|------------|--------|--------------------|-----------------|---------------------------|--------------------------|------------------|
| | | P | d1 max | b1 min | d2 max | L max | Lc max | h2 max | t/T max | $F_{B min}$ | F_{BA} | q |
| | | mm | mm | mm | mm | mm | mm | mm | mm | kN/LB | kN | kg/m |
| C208A C208AL | C2040 C2042 * | 25,40 | 7,95 15,88 | 7,85 | 3,96 | 16,6 | 17,8 | 12,0 | 1,50 | 14,1/3205 | 16,7 | 0,50 0,84 |
| C208AH | C2040H | 25,40 | 7,95 | 7,85 | 3,96 | 18,8 | 19,9 | 12,0 | 2,03 | 14,1/3205 | 17,2 | 0,65 |
| C208B C208BL | | 25,40 | 8,51 15,88 | 7,75 | 4,45 | 16,7 | 18,2 | 11,8 | 1,60 | 18,0/4091 | 19,4 | 0,55 0,89 |
| C210A C210AL | C2050 C2052 * | 31,75 | 10,16 19,05 | 9,40 | 5,08 | 20,7 | 22,2 | 15,0 | 2,03 | 22,2/5045 | 28,1 | 1,78 1,27 |
| C212A C212AL | C2060 C2062 * | 38,10 | 11,91 22,23 | 12,57 | 5,94 | 25,9 | 27,7 | 18,0 | 2,42 | 31,8/7227 | 36,8 | 1,12 1,61 |
| C212AH C212AHL | C2060H C2062H * | 38,10 | 11,91 22,23 | 12,57 | 5,94 | 29,2 | 31,6 | 18,0 | 3,25 | 31,8/7227 | 41,6 | 1,44 2,07 |
| C216A C216AL | C2080 C2082 * | 50,80 | 15,88 28,58 | 15,75 | 7,92 | 32,7 | 36,5 | 24,0 | 3,25 | 56,7/12886 | 65,7 | 2,08 3,12 |
| C216AH C216AHL | C2080H C2082H * | 50,80 | 15,88 28,58 | 15,75 | 7,92 | 36,2 | 39,4 | 24,0 | 4,00 | 56,7/12886 | 70,0 | 2,54 3,58 |
| C220A C220AL | C2100 C2102 * | 63,50 | 19,05 39,67 | 18,90 | 9,53 | 40,4 | 44,7 | 30,0 | 4,00 | 88,5/20114 | 102,6 | 3,01 4,83 |
| C220AH C220AHL | C2100H C2102H * | 63,50 | 19,05 39,67 | 18,90 | 9,53 | 43,6 | 46,9 | 30,0 | 4,80 | 88,5/20114 | 112,4 | 3,56 5,38 |
| C224A C224AL | C2120 C2122 * | 76,20 | 22,23 44,45 | 25,22 | 11,10 | 50,3 | 54,3 | 35,7 | 4,80 | 127,0/28864 | 147,3 | 4,66 7,66 |
| C224AH C224AHL | C2120H C2122H * | 76,20 | 22,23 44,45 | 25,22 | 11,10 | 53,5 | 57,5 | 35,7 | 5,60 | 127,0/28864 | 160,9 | 5,26 8,26 |
| C232A C232AL | C2160 C2162 * | 101,60 | 28,58 57,15 | 31,75 | 14,27 | 64,8 | 69,6 | 47,8 | 6,40 | 226,8/51545 | 278,9 | 8,15 13,00 |
| C232AH C232AHL | C2160H C2162H * | 101,60 | 28,58 57,15 | 31,75 | 14,27 | 68,2 | 73,0 | 47,8 | 7,20 | 226,8/51545 | 285,8 | 9,06 12,77 |

*Type with large rollers



Double pitch straight side plates conveyor chains DIN 8187 / 8188 with attachments ISO 606 - European / ANSI - American standard

Bent, one or two holes



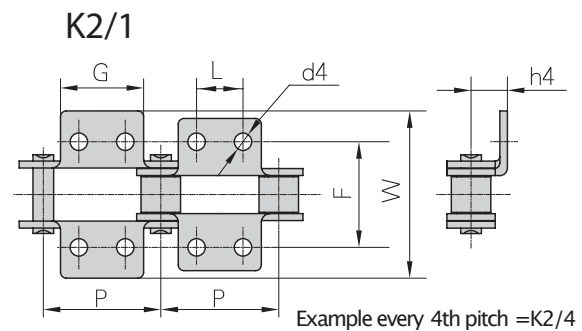
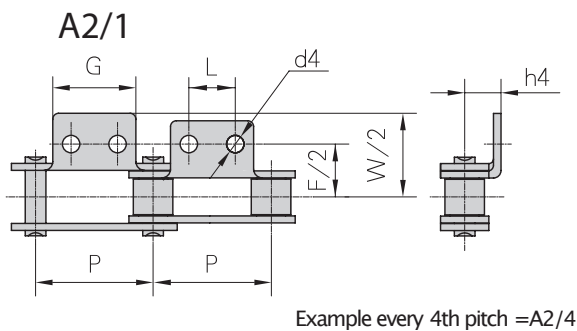
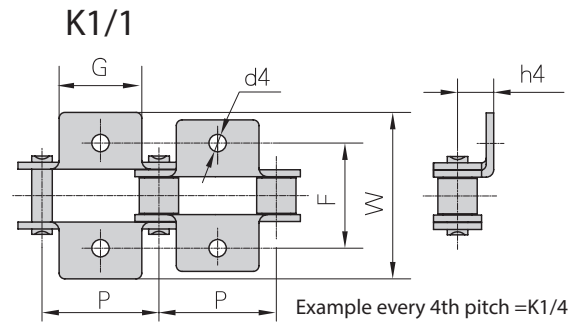
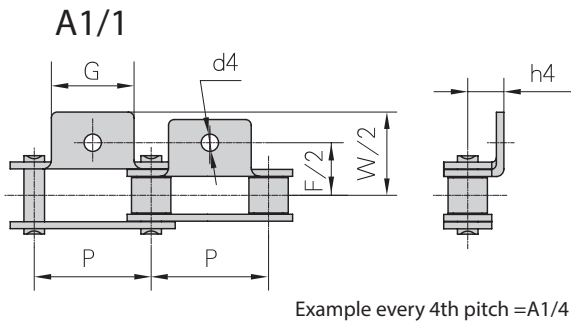
| DIN ref. | ANSI ref. | P | G | L | F | W | h4 | d4 |
|-------------------|--------------------|--------|------|------|-------|-------|------|------|
| | | mm | mm | mm | mm | mm | mm | mm |
| C208A C208AL | C2040 C2042 * | 25,40 | 19,1 | 9,5 | 25,4 | 39,6 | 9,1 | 3,4 |
| C208B C208BL | | 25,40 | 23,2 | 12,7 | 25,4 | 39,6 | 9,1 | 4,5 |
| C210A C210AL | C2050 C2052 * | 31,75 | 23,8 | 11,9 | 31,8 | 49 | 11,1 | 5,5 |
| C212A C212AL | C2060 C2062 * | 38,10 | 28,6 | 14,3 | 42,9 | 67,8 | 14,7 | 5,5 |
| C212AH C212AHL | C2060H C2062H * | 38,10 | 28,6 | 14,3 | 42,9 | 67,8 | 14,7 | 5,5 |
| C216A C216AL | C2080 C2082 * | 50,80 | 38,1 | 19,1 | 55,6 | 87,8 | 19,1 | 6,8 |
| C216AH C216AHL | C2080H C2082H * | 50,80 | 38,1 | 19,1 | 55,6 | 87,8 | 19,1 | 6,8 |
| C220A C220AL | C2100 C2102 * | 63,50 | 47,6 | 23,8 | 66,6 | 107,5 | 23,4 | 9,2 |
| C220AH C220AHL | C2102H C2102H * | 63,50 | 47,6 | 23,8 | 66,6 | 107,5 | 23,4 | 9,2 |
| C224A C224AL | C2120 C2122 * | 76,20 | 57,2 | 28,6 | 79,3 | 121,4 | 27,8 | 11,0 |
| C224AH C224AHL | C2120H C2122H * | 76,20 | 57,2 | 28,6 | 79,3 | 121,4 | 27,8 | 11,0 |
| C232A C232AL | C2160 C2162 * | 101,60 | 76,2 | 38,1 | 104,7 | 151,6 | 36,5 | 13,1 |
| C232AH C232AHL | C2160H C2162H * | 101,60 | 76,2 | 38,1 | 104,7 | 151,6 | 36,5 | 13,1 |

*Type with large rollers see page A-33



Double pitch straight side plates conveyor chains DIN 8187 / 8188 with attachments

Bent, one or two holes

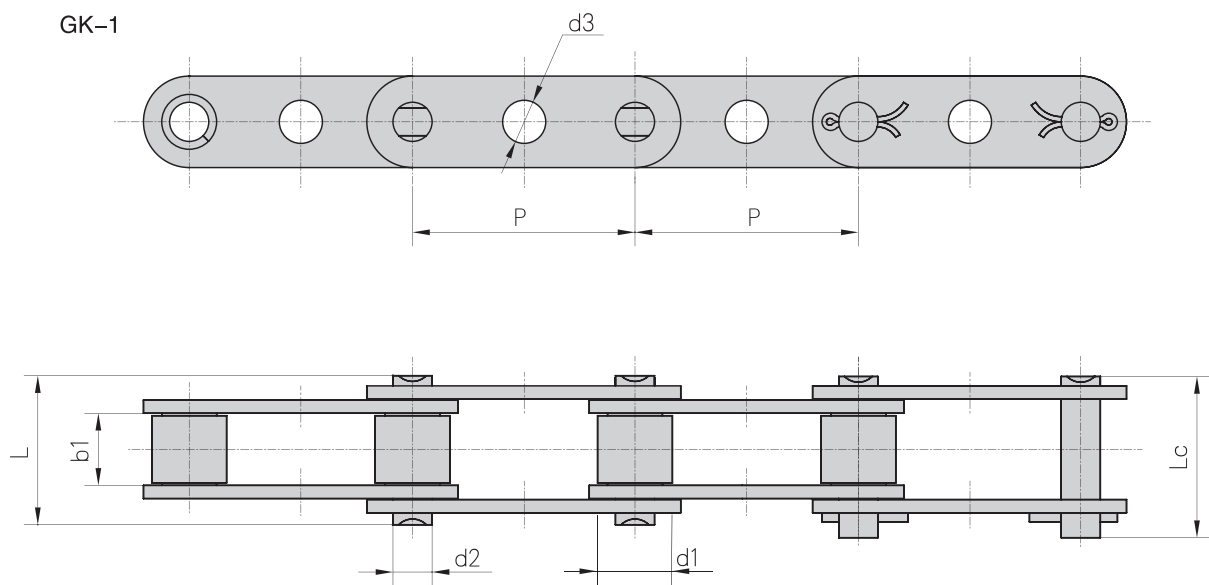


| DIN / ANSI ref. | P | G | L | F | W | h4 | d4 |
|-----------------|-------|------|-------|-------|-------|------|------|
| | mm | mm | mm | mm | mm | mm | mm |
| C208AF1 | 25,40 | 19,0 | | 25,7 | 38,3 | 8,8 | 4,1 |
| C2042F1 | 25,40 | 19,0 | | 25,4 | 40,0 | 9,0 | 5,2 |
| C2040A1F3 | 25,40 | 19,0 | | 25,4 | 38,2 | 19,8 | 5,3 |
| C2042A1F4 | 25,40 | 19,0 | | 25,4 | 39,6 | 9,1 | 5,0 |
| C2040A2F1 | 25,40 | 19,0 | 9,00 | 25,4 | 38,4 | 9,0 | 5,2 |
| C2042HK1F1 | 25,40 | 19,0 | | 47,0 | 60,0 | 9,1 | 7,0 |
| C2050A1F6 | 31,75 | 23,8 | | 31,8 | 49,0 | 11,4 | 6,3 |
| C2052A2F1 | 31,75 | 19,0 | 11,90 | 31,8 | 49,0 | 11,1 | 6,0 |
| C2052A2F2 | 31,75 | 19,0 | 15,88 | 31,8 | 49,0 | 11,1 | 5,5 |
| C2052A2F3 | 31,75 | 25,8 | 12,70 | 31,8 | 49,2 | 11,1 | 4,8 |
| C2060K1F1 | 38,10 | 28,6 | | 42,9 | 68,0 | 14,7 | 8,5 |
| C2062HK1F5 | 38,10 | 28,6 | | 42,9 | 67,8 | 14,7 | 7,9 |
| C2062A1F13 | 38,10 | 30,0 | | 70,2 | 98,0 | 14,7 | 8,5 |
| C2062A2F6 | 38,10 | 28,6 | 14,30 | 42,9 | 67,8 | 14,7 | 6,0 |
| C2062K2F7 | 38,10 | 28,6 | 14,30 | 42,9 | 67,8 | 14,7 | 6,5 |
| C2060HF3A2 | 38,10 | 28,6 | 14,30 | 42,9 | 67,8 | 14,7 | 5,2 |
| C2062HF15 | 38,10 | 28,6 | 14,30 | 42,9 | 67,8 | 14,7 | M5 |
| C2060HK1F | 38,10 | 28,6 | | 42,9 | 67,8 | 14,7 | 8,0 |
| C2062HA1F4 | 38,10 | 20,0 | | 45,8 | 65,8 | 9,0 | 6,8 |
| C2062HK1F5 | 38,10 | 28,6 | | 42,9 | 67,8 | 14,7 | 7,9 |
| C2062HA1F7 | 38,10 | 28,6 | | 42,9 | 67,8 | 14,7 | 5,2 |
| C2060HA1F12 | 38,10 | 28,0 | | 43,4 | 61,8 | 13,9 | 6,6 |
| C2060HK2F3 | 38,10 | 28,6 | 14,30 | 42,9 | 64,8 | 14,7 | 5,0 |
| C2062HK2F4 | 38,10 | 28,6 | 14,30 | 42,9 | 56,4 | 14,7 | 5,2 |
| C2062HK2F5 | 38,10 | 28,6 | 14,30 | 55,6 | 76,0 | 11,1 | 5,5 |
| C216AF3 | 50,80 | 39,0 | 19,10 | 59,0 | 78,5 | 23,0 | 7,0 |
| C2082A2F1 | 50,80 | 39,0 | 19,10 | 58,0 | 82,0 | 21,5 | 7,0 |
| C2082A2F2 | 50,80 | 39,0 | 19,10 | 58,0 | 82,0 | 21,5 | 10,0 |
| C2082K2F5 | 50,80 | 38,1 | 19,10 | 120,0 | 140,0 | 19,1 | 6,8 |
| C2080HF | 50,80 | 38,1 | 19,10 | 55,6 | 75,2 | 17,8 | 10,0 |



Special double straight side plates conveyor chains - DIN 8187 / 8188

Central holes



| DIN ref. | ANSI ref. | P | b1 | d1 Ø | d2 Ø | d3 Ø | L | Lc |
|-------------------|--------------------|-------|-------|----------------|------|------|------|------|
| | | mm | mm | mm | mm | mm | mm | mm |
| C208A C208AL | C2040 C2042 * | 25,40 | 7,85 | 7,95 15,88 | 3,96 | 4,1 | 16,6 | 18,8 |
| C210A C210AL | C2050 C2052 * | 31,75 | 9,40 | 10,16 19,05 | 5,08 | 5,1 | 20,7 | 23,3 |
| C212A C212AL | C2060 C2062 * | 38,10 | 12,57 | 11,91 22,23 | 5,94 | 6,1 | 25,9 | 28,3 |
| C212AH C212AHL | C2060H C2062H * | 38,10 | 12,57 | 11,91 22,23 | 5,94 | 6,1 | 29,2 | 31,6 |
| C216A C216AL | C2080 C2082 * | 50,80 | 15,75 | 15,88 28,56 | 7,92 | 8,1 | 32,7 | 36,5 |
| C216AH C216AHL | C2080H C2082H * | 50,80 | 15,75 | 15,88 28,56 | 7,92 | 8,1 | 36,2 | 39,4 |
| C220A C220AL | C2100 C2102 * | 63,50 | 18,90 | 19,05 39,67 | 9,53 | 10,1 | 40,4 | 44,7 |
| C220AH C220AHL | C2100H C2102H * | 63,50 | 18,90 | 19,05 39,67 | 9,53 | 10,1 | 43,6 | 46,9 |

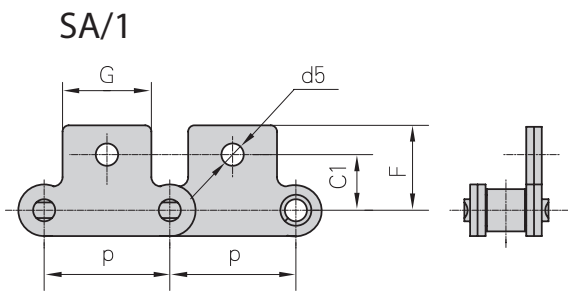
* Type with large rollers see page A-33



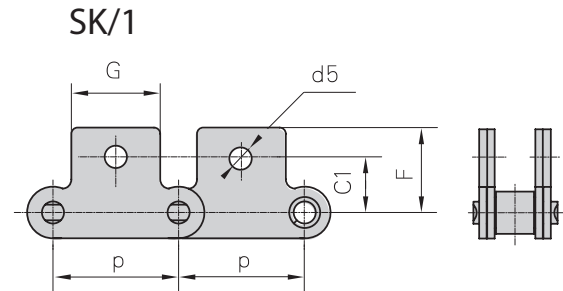
Double pitch conveyor chains - DIN 8187 / 8188 with attachments

ISO 606 - European / ANSI - American standard

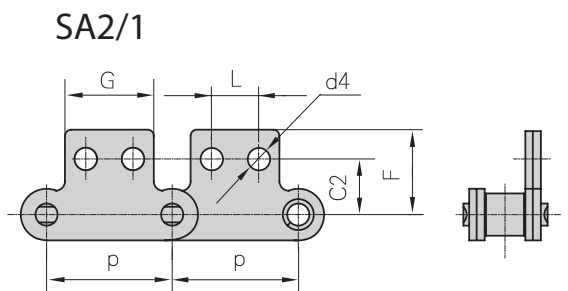
Straight, one or two holes



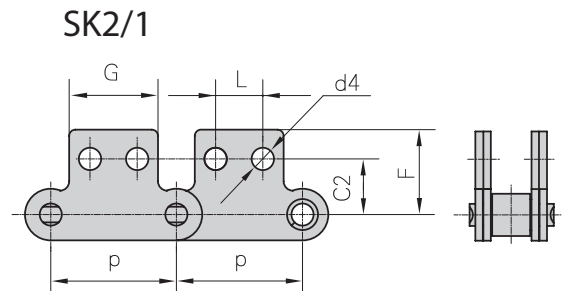
Example every 4th pitch =SA1/4




Example every 4th pitch =SK1/4



Example every 4th pitch =SA2/4



Example every 4th pitch =SK2/4

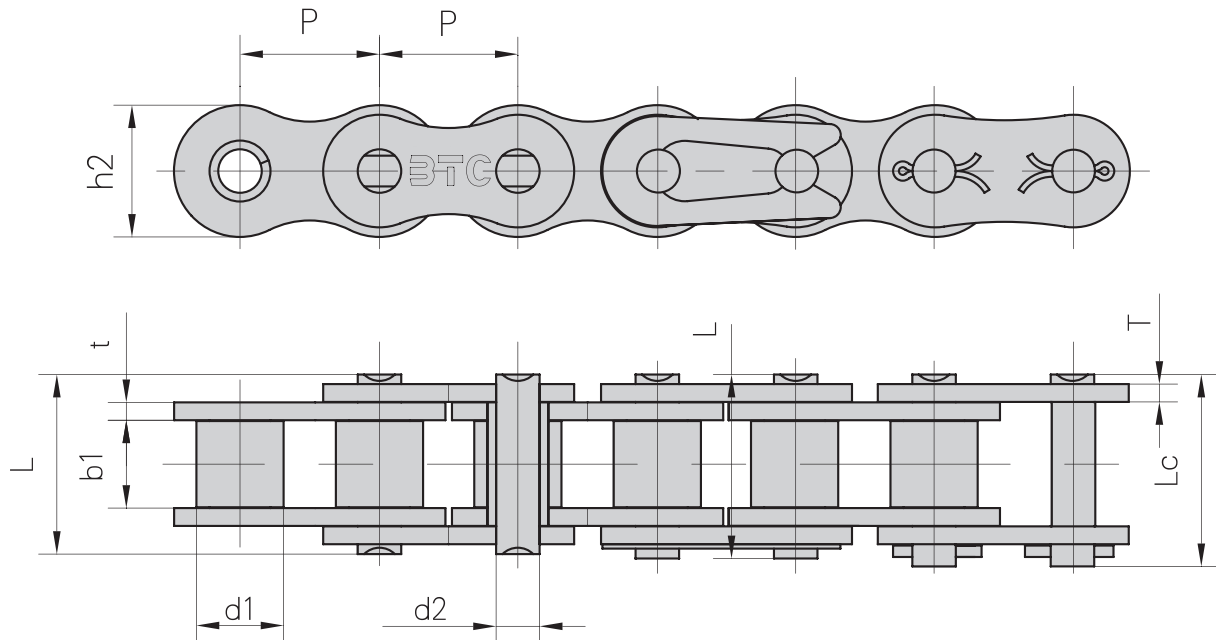
| DIN ref.  | ANSI ref. | P | G | L | C1 | C2 | F | d4 | d5 |
|---|--------------------|-------|-------|-------|-------|-------|-------|------|-------|
| | | mm | mm | mm | mm | mm | mm | mm | mm |
| C208A C208AL | C2040 C2042 * | 25,40 | 19,10 | 9,50 | 11,10 | 13,50 | 20,50 | 3,40 | 5,50 |
| C208B C208BL | | 25,40 | 23,20 | 12,70 | 11,10 | 13,50 | 20,50 | 4,50 | 5,50 |
| C210A C210AL | C2050 C2052* | 31,75 | 23,80 | 11,90 | 14,30 | 15,90 | 25,00 | 5,50 | 6,60 |
| C212A C212AL | C2060 C2062 * | 38,10 | 28,60 | 14,30 | 17,50 | 19,10 | 32,90 | 5,50 | 9,20 |
| C212AH C212AHL | C2060H C2062H * | 38,10 | 28,60 | 14,30 | 17,50 | 19,10 | 32,90 | 5,50 | 9,20 |
| C216A C216AL | C2080 C2082 * | 50,80 | 38,10 | 19,10 | 22,20 | 25,40 | 43,50 | 6,60 | 11,00 |
| C216AH C216AHL | C2080H C2082H* | 50,80 | 38,10 | 19,10 | 22,20 | 25,40 | 43,50 | 6,60 | 11,00 |
| C220A C220AL | C2100 C2102 * | 63,50 | 47,60 | 23,80 | 28,60 | 31,80 | 50,40 | 8,40 | 13,00 |
| C220AH C220AHL | C2100H C2102H * | 63,50 | 47,60 | 23,80 | 28,60 | 31,80 | 50,40 | 8,40 | 13,00 |

*Type with large rollers see page A-33



Stainless steel roller chains - DIN 8187 / 8188 ISO 606 - European / ANSI - American standard

Simplex



| DIN / ANSI ref. | Pitch | Roller diameter | Width between inner plates | Pin diameter | Pin length | | Inner plate height | Plate thickness | Ultimate tensile strength | Weight per meter |
|-----------------|--------|-----------------|----------------------------|--------------|------------|--------|--------------------|-----------------|---------------------------|------------------|
| BTC | P | d1 max | b1 min | d2 max | L max | Lc max | h2 max | t/T max | F _β min. | q |
| | mm | mm | mm | mm | mm | mm | mm | mm | kN | kg/m |
| *25SS | 6,35 | 3,30 | 3,18 | 2,31 | 7,90 | 8,40 | 6,00 | 0,80 | 2,5/568 | 0,15 |
| *35SS | 9,525 | 5,08 | 4,77 | 3,58 | 12,40 | 13,20 | 9,00 | 1,30 | 5,5/1250 | 0,33 |
| 40SS | 12,70 | 7,95 | 7,85 | 3,96 | 16,60 | 17,80 | 12,00 | 1,50 | 9,6/2182 | 0,63 |
| 41SS | 12,70 | 7,77 | 6,25 | 3,58 | 13,80 | 15,00 | 9,91 | 1,30 | 6,0/1360 | 0,46 |
| 50SS | 15,875 | 10,16 | 9,40 | 5,08 | 20,70 | 22,20 | 15,09 | 2,03 | 15,2/3455 | 1,03 |
| 60SS | 19,05 | 11,91 | 12,57 | 5,94 | 25,90 | 27,70 | 18,00 | 2,42 | 21,7/4932 | 1,51 |
| 80SS | 25,40 | 15,88 | 15,75 | 7,92 | 32,70 | 35,00 | 24,00 | 3,25 | 38,9/8841 | 2,62 |
| 100SS | 31,75 | 19,05 | 18,90 | 9,53 | 40,40 | 44,70 | 30,00 | 4,00 | 60,0/13636 | 3,94 |
| 120SS | 38,10 | 22,23 | 25,22 | 11,10 | 50,30 | 54,30 | 35,70 | 4,80 | 72,5/16477 | 5,72 |
| 140SS | 44,45 | 25,40 | 25,22 | 12,70 | 54,40 | 59,00 | 41,00 | 5,60 | 94,0/21363 | 7,70 |
| 04SS | 6,00 | 4,00 | 2,80 | 1,85 | 6,80 | 7,80 | 5,00 | 0,60 | 2,0/455 | 0,11 |
| 05BSS | 8,00 | 5,00 | 3,00 | 2,31 | 8,20 | 8,90 | 7,10 | 0,80 | 3,5/795 | 0,20 |
| #06BSS | 9,525 | 6,35 | 5,72 | 3,28 | 13,20 | 14,10 | 8,20 | 1,30 | 6,2/1409 | 0,41 |
| 08BSS | 12,70 | 8,51 | 7,75 | 4,45 | 16,70 | 18,20 | 11,80 | 1,60 | 12,0/2727 | 0,70 |
| 10 BSS | 15,875 | 10,16 | 9,65 | 5,08 | 19,50 | 20,90 | 14,70 | 1,70 | 14,5/3295 | 0,94 |
| 12BSS | 19,05 | 12,07 | 11,68 | 5,72 | 22,50 | 24,20 | 16,00 | 1,85 | 18,5/4205 | 1,16 |
| 16BSS | 25,40 | 15,88 | 17,02 | 8,28 | 36,10 | 37,40 | 21,00 | 4,15/3,1 | 40,0/9091 | 2,73 |
| 20BSS | 31,75 | 19,05 | 19,56 | 10,19 | 41,30 | 45,00 | 26,40 | 4,5/3,5 | 59,0/13409 | 3,73 |
| 24BSS | 38,10 | 25,40 | 25,40 | 14,63 | 53,40 | 57,80 | 33,20 | 6,0/4,8 | 104,0/25454 | 7,20 |
| 32BSS | 50,80 | 29,21 | 30,99 | 17,81 | 66,00 | 71,00 | 42,00 | 7,0/6,0 | 150,0/34090 | 10,22 |

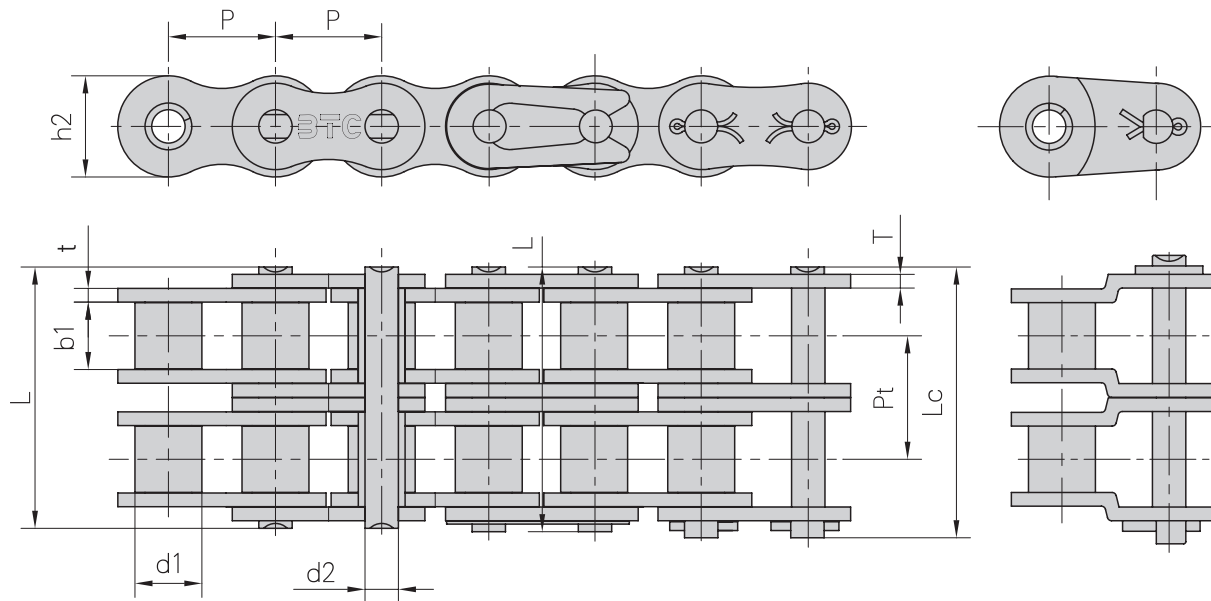
* Bushing chains: d1 in the table indicate the external diameter of the bushing

Straight side plates



Stainless steel roller chains - DIN 8187 / 8188 ISO 606 - European / ANSI - American standard

Duplex



| DIN ref. | Pitch | Roller diameter | Width between inner plates | Pin diameter | Pin length | | Inner plate depth | Plate thickness | Transverse pitch | Ultimate tensile strength | Weight per meter |
|----------|-------|-----------------|----------------------------|--------------|------------|--------|-------------------|-----------------|------------------|---------------------------|------------------|
| | P | d1 max | b1 min | d2 max | L max | Lc max | h2 max | t/T max | Pt | F _B min | q |
| | mm | mm | mm | mm | mm | mm | mm | mm | mm | kN/LB | kg/m |
| 05B-2SS | 8,00 | 5,00 | 3,00 | 2,31 | 13,9 | 14,5 | 7,10 | 0,80 | 5,64 | 6,2/1409 | 0,36 |
| *06B-2SS | 9,525 | 6,35 | 5,72 | 3,28 | 23,4 | 24,4 | 8,20 | 1,30 | 10,24 | 11,9/2704 | 0,78 |
| 08B-2SS | 12,70 | 8,51 | 7,75 | 4,45 | 31,2 | 32,2 | 11,80 | 1,60 | 13,92 | 20,8/4265 | 1,36 |
| 10B-2SS | 15,87 | 10,16 | 9,65 | 5,08 | 36,1 | 37,5 | 14,70 | 1,70 | 16,59 | 26,3/5976 | 1,92 |
| 12B-2SS | 19,05 | 12,07 | 11,68 | 5,72 | 42,0 | 43,6 | 16,00 | 1,85 | 19,46 | 35,4/8044 | 2,44 |
| 16B-2SS | 25,40 | 15,875 | 17,02 | 8,28 | 68,0 | 69,3 | 21,00 | 4,15/3,1 | 31,88 | 68,0/15452 | 5,58 |
| 20B-2SS | 31,75 | 19,05 | 19,56 | 10,19 | 77,8 | 81,5 | 26,40 | 4,5/3,5 | 36,45 | 110,6/24996 | 7,77 |
| 24B-2SS | 38,10 | 25,40 | 25,40 | 14,63 | 101,7 | 106,2 | 33,20 | 6,0/4,8 | 48,36 | 182,4/41403 | 14,48 |

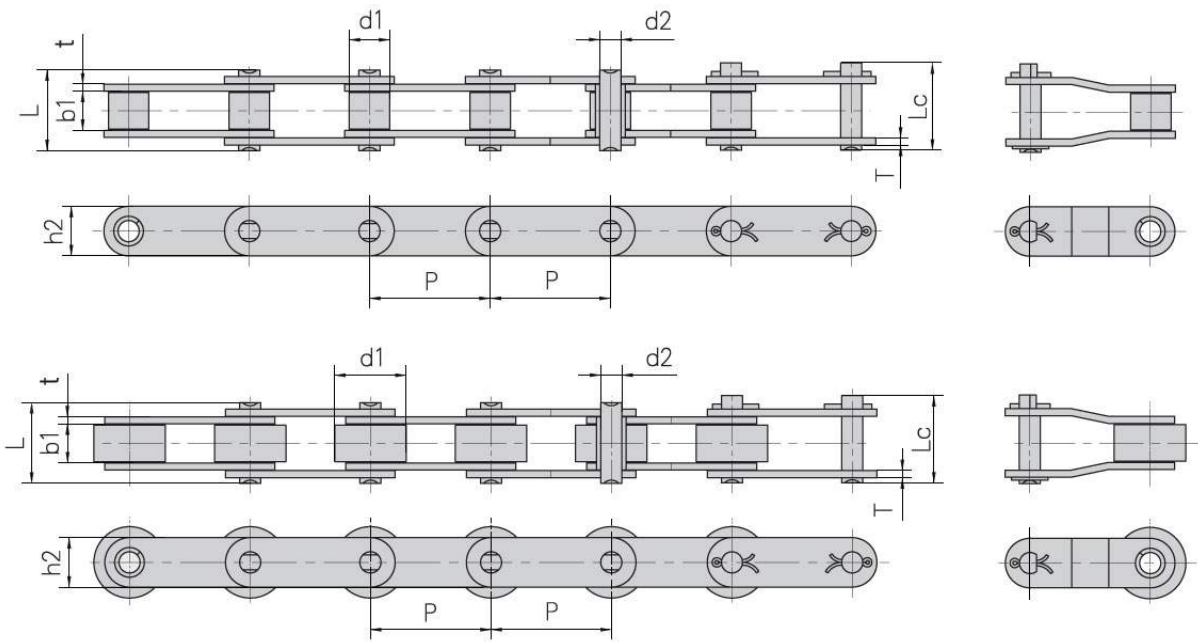
| DIN ref. | Pitch | Roller diameter | Width between inner plates | Pin diameter | Pin length | | Inner plate depth | Plate thickness | Transverse pitch | Ultimate tensile strength | Weight per meter |
|----------|-------|-----------------|----------------------------|--------------|------------|--------|-------------------|-----------------|------------------|---------------------------|------------------|
| | P | d1 max | b1 min | d2 max | L max | Lc max | h2 max | t/T max | Pt | F _B min | q |
| | mm | mm | mm | mm | mm | mm | mm | mm | mm | kN/LB | kg/m |
| *35-2SS | 9,525 | 5,08 | 4,77 | 3,58 | 22,5 | 23,3 | 9,00 | 1,30 | 10,13 | 10,8/4045 | 0,70 |
| 40-2SS | 12,70 | 7,95 | 7,85 | 3,96 | 31,0 | 32,2 | 12,00 | 1,50 | 14,38 | 17,9/4068 | 1,30 |
| 50-2SS | 15,87 | 10,16 | 9,40 | 5,08 | 38,9 | 40,4 | 15,09 | 2,03 | 18,11 | 28,9/6567 | 2,10 |
| 60-2SS | 19,05 | 11,91 | 12,57 | 5,94 | 48,8 | 50,5 | 18,00 | 2,42 | 22,78 | 36,5/8294 | 3,09 |
| 80-2SS | 25,40 | 15,875 | 15,75 | 7,92 | 62,7 | 64,3 | 24,00 | 3,25 | 29,29 | 67,2/15270 | 5,20 |
| 100-2SS | 31,75 | 19,05 | 18,90 | 9,53 | 76,4 | 80,5 | 30,00 | 4,00 | 35,76 | 109,1/24791 | 8,01 |
| 120-2SS | 38,10 | 22,23 | 25,22 | 11,10 | 95,8 | 99,7 | 35,70 | 4,80 | 45,44 | 165,1/37517 | 11,84 |

* Straight side plates



Double pitch stainless steel conveyor chains

Simplex



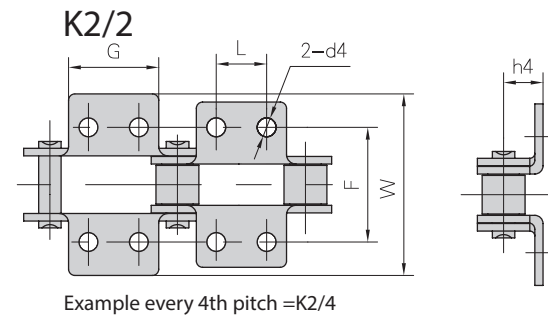
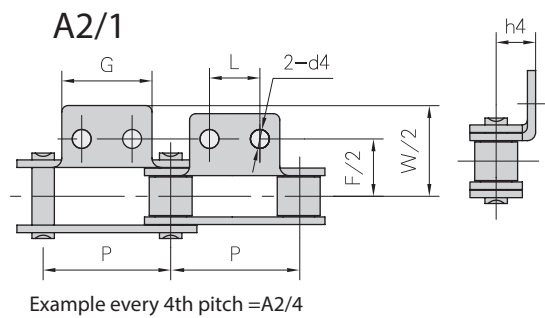
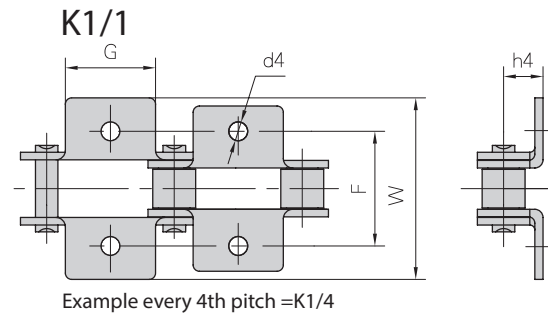
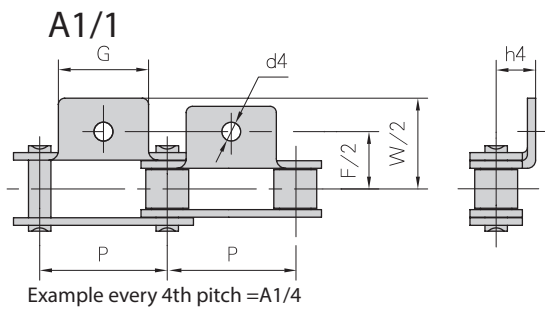
| ANSI / DIN ref. | Pitch | Roller diameter | Width between inner plates | Pin diameter | Pin length | | Inner plate height | Plate thickness | Ultimate tensile strength | Weight per meter |
|------------------------|-------|-----------------|----------------------------|--------------|------------|--------|--------------------|-----------------|---------------------------|------------------|
| | P | d1 max | b1 min | d2 max | L max | Lc max | h2 max | t/T max | F _B min. | q |
| | mm | mm | mm | mm | mm | mm | mm | mm | kN/LB | kg/m |
| C2040SS C2042SS * | 25,40 | 7,95 15,875 | 7,85 | 4,0 | 16,6 | 17,8 | 12,0 | 1,50 | 9,6/2182 | 0,51 0,85 |
| C2040HSS | 25,40 | 7,95 | 7,85 | 4,0 | 18,8 | 19,9 | 12,0 | 2,03 | 9,6/2182 | 0,66 |
| C208BSS C208BLSS * | 25,40 | 8,51 15,875 | 7,75 | 4,5 | 16,7 | 18,2 | 11,8 | 1,60 | 12,0/2727 | 0,56 0,90 |
| C2050SS C2052SS * | 31,75 | 10,16 19,05 | 9,40 | 5,1 | 20,7 | 22,2 | 15,0 | 2,03 | 15,2/3455 | 0,79 1,29 |
| C2060SS C2062SS * | 38,10 | 11,91 22,23 | 12,57 | 5,9 | 25,9 | 27,7 | 18,0 | 2,42 | 21,7/4932 | 1,13 1,63 |
| C2060HSS C2062HSS * | 38,10 | 11,91 22,23 | 12,57 | 5,9 | 29,2 | 31,6 | 18,0 | 3,25 | 21,7/4932 | 1,46 2,10 |
| C2080SS C2082SS * | 50,80 | 15,875 28,58 | 15,75 | 7,9 | 32,7 | 36,5 | 24,0 | 3,25 | 38,9/8841 | 2,11 3,16 |
| C2080HSS C2082HSS * | 50,80 | 15,875 28,58 | 15,75 | 7,9 | 36,2 | 39,4 | 24,0 | 4,00 | 38,9/8841 | 2,57 3,63 |
| C2100SS C2102SS * | 63,50 | 19,05 39,67 | 18,90 | 9,5 | 40,4 | 44,7 | 30,0 | 4,00 | 60,0/13636 | 3,05 4,89 |
| C2100HSS C2102HSS * | 63,50 | 19,05 39,67 | 18,90 | 9,5 | 43,6 | 46,9 | 30,0 | 4,80 | 60,0/13636 | 3,61 5,45 |


* Type with large rollers see page A-31



Double pitch stainless steel conveyor chains with attachments

Bent, one or two holes



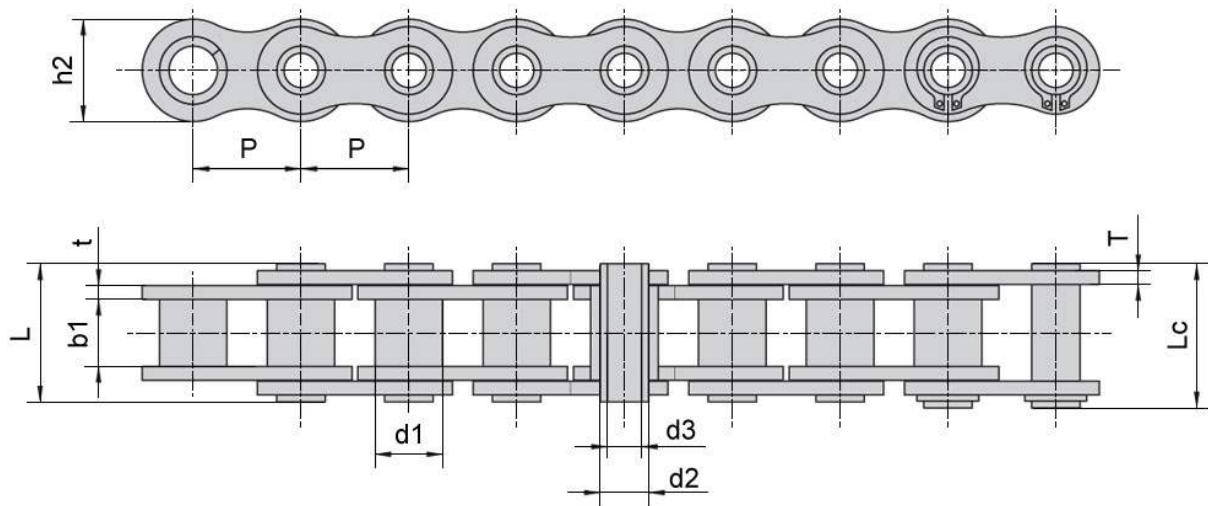
| ANSI / DIN ref. | P | G | L | F | W | h4 | d4 |
|---|-------|------|------|------|-------|------|-----|
|  | mm | mm | mm | mm | mm | mm | mm |
| C2040SS C2042SS * | 25,40 | 19,1 | 9,5 | 25,4 | 39,6 | 9,1 | 3,4 |
| C208BSS C208BLSS * | 25,40 | 23,2 | 12,7 | 25,4 | 39,6 | 9,1 | 4,5 |
| C2050SS C2052SS * | 31,75 | 23,8 | 11,9 | 31,8 | 49,0 | 11,1 | 5,5 |
| C2060SS C2062SS * | 38,10 | 28,6 | 14,3 | 42,9 | 67,8 | 14,7 | 5,5 |
| C2060HSS C2062HSS * | 38,10 | 28,6 | 14,3 | 42,9 | 67,8 | 14,7 | 5,5 |
| C2080SS C2082SS * | 50,80 | 38,1 | 19,1 | 55,6 | 87,8 | 19,1 | 6,8 |
| C2080HSS C2082HSS * | 50,80 | 38,1 | 19,1 | 55,6 | 87,8 | 19,1 | 6,8 |
| C2100SS C2102SS * | 63,50 | 47,6 | 23,8 | 66,6 | 107,5 | 23,4 | 9,2 |
| C2100HSS C2102HSS * | 63,50 | 47,6 | 23,8 | 66,6 | 107,5 | 23,4 | 9,2 |

* Type with large rollers



Hollow pin bushing chains (without roller)

Simplex



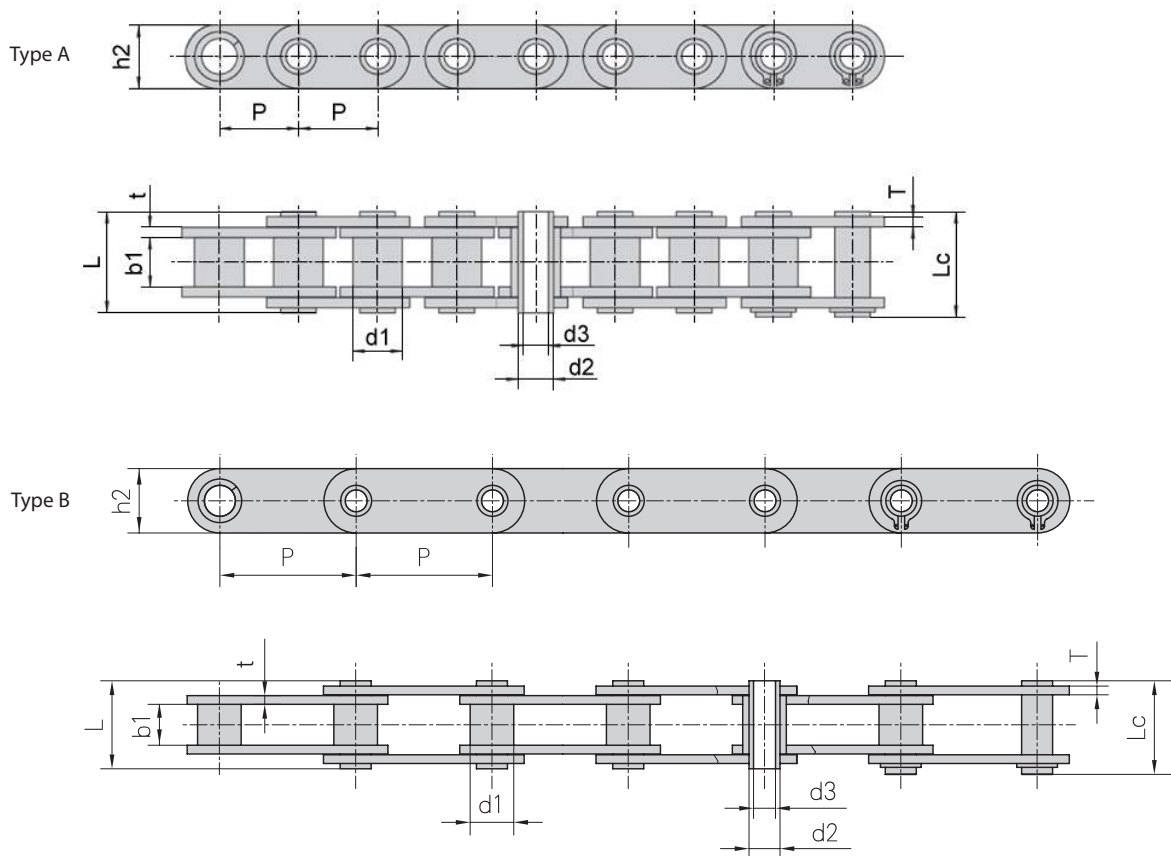
| DIN / ANSI ref. | Pitch <i>p</i> | Bush diameter <i>d1</i> max | Width between inner plates | | Pin diameter | | Pin length | | Inner plate height <i>h2</i> | Plate thickness <i>t/T</i> max | Ultimate tensile strength <i>F_B</i> min | Average tensile strength <i>F_{BA}</i> min | Weight per meter <i>q</i> |
|--------------------|-------------------|--------------------------------------|----------------------------------|------------------|------------------|-----------------|------------------|-------|---------------------------------------|---|--|--|------------------------------------|
| | | | <i>b1</i> min | <i>d2</i> max | <i>d3</i> max | <i>L</i> max | <i>Lc</i> max | | | | | | |
| | | | mm | mm | mm | mm | mm | mm | | | | | |
| 08BHP | 12,70 | 8,51 | 7,75 | 6,55 | 4,50 | 16,4 | 17,6 | 11,80 | 1,6/1,3 | 11,1/2523 | 12,1 | 0,56 | |
| 10BHPP4 | 15,875 | 10,16 | 9,50 | 7,20 | 5,00 | 19,8 | 21,3 | 14,00 | 2,03/1,6 | 12,5/2840 | 14,0 | 0,82 | |
| 10BHP | 15,875 | 10,16 | 9,65 | 7,02 | 5,00 | 19,5 | 20,5 | 14,70 | 1,70 | 10,0/2272 | 11,5 | 0,86 | |
| 12BHP | 19,05 | 12,07 | 11,68 | 8,09 | 6,00 | 22,7 | 23,9 | 16,10 | 1,85 | 14,0/3180 | 16,0 | 0,82 | |
| 16BHPP4 | 25,40 | 11,70 | 13,50 | 8,00 | 4,30 | 28,9 | 30,2 | 21,30 | 3,00 | 30,0/6818 | 33,0 | 1,81 | |
| 16BHP | 25,40 | 15,875 | 17,02 | 11,50 | 8,10 | 35,3 | 37,0 | 23,20 | 4,0/3,1 | 49,0/1136 | 52,2 | 2,26 | |
| 40HP | 12,70 | 7,95 | 7,85 | 5,63 | 4,00 | 16,5 | 17,6 | 12,00 | 1,50 | 11,0/2500 | 12,2 | 0,54 | |
| 50HP | 15,875 | 10,16 | 9,40 | 7,03 | 5,13 | 20,7 | 21,9 | 15,09 | 2,03 | 20,0/4545 | 22,6 | 0,91 | |
| 50H HP | 15,875 | 10,16 | 9,40 | 7,03 | 5,13 | 22,6 | 24,4 | 15,09 | 2,42 | 21,9/4976 | 23,9 | 1,05 | |
| 60HPP1 | 19,05 | 11,91 | 12,70 | 8,31 | 5,01 | 25,5 | 26,8 | 18,00 | 2,42 | 28,0/6364 | 30,9 | 1,37 | |
| 60HP | 19,05 | 11,91 | 12,70 | 8,31 | 6,05 | 25,8 | 26,8 | 18,00 | 2,42 | 24,0/5455 | 26,9 | 1,29 | |
| 80HPP4 | 25,40 | 11,70 | 13,50 | 7,80 | 4,10 | 29,0 | 30,5 | 21,50 | 3,00 | 40,0/9091 | 43,2 | 1,77 | |
| 80HP | 25,40 | 15,875 | 15,75 | 11,40 | 8,05 | 32,5 | 33,8 | 24,00 | 3,25 | 50,0/11364 | 52,0 | 2,26 | |
| 80HPP2 | 25,40 | 15,875 | 15,75 | 11,40 | 8,40 | 32,5 | 33,8 | 24,00 | 3,25 | 45,0/10227 | 48,0 | 2,23 | |
| 80H HP | 25,40 | 15,875 | 15,75 | 11,40 | 8,05 | 35,7 | 37,0 | 24,00 | 4,00 | 50,0/11364 | 52,0 | 2,63 | |
| 38.1HP | 38,10 | 18,00 | 15,20 | 14,00 | 10,20 | 34,5 | 36,5 | 27,00 | 3,70 | 45,0/10227 | 48,0 | 2,46 | |

Nickel plated or zinc plated on request. (Stainless Steel see page A-46)



Hollow pin & double pitch bushing chains (without rollers)

Simplex



| DIN / ANSI ref. | Pitch | Bush diameter | Width between inner plates | Pin diameter | | Pin length | | Inner plate height | Plate thickness | Ultimate tensile strength | Average tensile strength | Weight per meter | |
|--------------------|-------|------------------|-------------------------------|--------------|-----------|------------|------------|-----------------------|--------------------|------------------------------|-----------------------------|---------------------|---|
| | | | | d2 max | d3 min | L max | Lc max | | | | | | |
| | | | | d1 max | b1 min | h2 max | t/T max | | | | | | |
| mm | mm | mm | mm | mm | mm | mm | mm | mm | kN/LB | kN | kg/m | | |
| C40HP | 12,70 | 7,95 | 7,85 | 5,63 | 4,00 | 16,5 | 17,6 | 12,00 | 1,50 | 11,0/2500 | 12,2 | 0,64 | A |
| C50HP | 15,87 | 10,16 | 9,40 | 7,03 | 5,13 | 20,7 | 21,9 | 15,09 | 2,03 | 20,0/4545 | 22,6 | 1,05 | A |
| C60HP | 19,05 | 11,91 | 12,70 | 8,31 | 6,00 | 25,8 | 26,8 | 18,00 | 2,42 | 24,0/5455 | 26,9 | 1,52 | A |
| C80HP | 25,40 | 15,88 | 15,75 | 11,40 | 8,05 | 32,5 | 33,8 | 24,00 | 3,25 | 50,0/11364 | 52,0 | 2,63 | A |
| HP40F1 | 40,00 | 18,00 | 22,00 | 12,00 | 8,00 | 47,5 | 48,2 | 35,00 | 5,00 | 57,0/13049 | 63,8 | 5,38 | A |
| HP40F2 | 40,00 | 18,00 | 22,00 | 12,00 | 8,20 | 47,5 | 48,2 | 35,00 | 5,00 | 57,0/13049 | 63,0 | 5,37 | A |
| HP50F1 | 50,00 | 26,00 | 14,50 | 20,00 | 14,70 | 35,3 | 36,2 | 40,00 | 3,10 | 30,0/6818 | 33,6 | 3,98 | A |
| C2040HP | 25,40 | 7,95 | 7,85 | 5,63 | 4,00 | 16,5 | 17,6 | 12,00 | 1,50 | 11,0/2500 | 12,6 | 0,46 | B |
| C2050HP | 31,75 | 10,16 | 9,40 | 7,22 | 5,12 | 20,5 | 21,8 | 15,00 | 2,03 | 20,4/4636 | 22,8 | 0,76 | B |
| C2060HP | 38,10 | 11,91 | 12,70 | 8,31 | 6,00 | 25,8 | 26,8 | 17,00 | 2,42 | 24,0/5455 | 27,1 | 1,02 | B |
| C2080HP | 50,80 | 15,88 | 15,75 | 11,40 | 8,05 | 32,5 | 33,8 | 24,00 | 3,25 | 50,0/11364 | 52,0 | 1,81 | B |

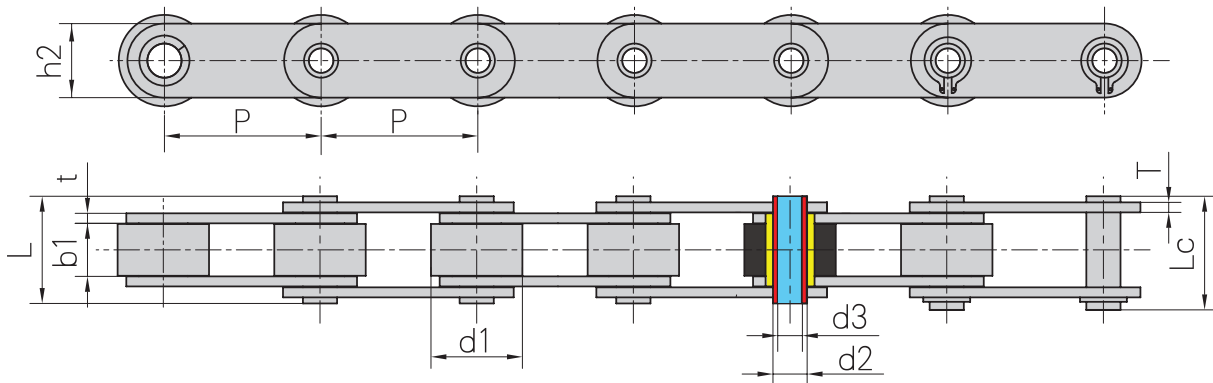
Nickel plated or zinc plated on request.



Hollow pin double pitch conveyor chains

Simplex

ROLLER CHAINS



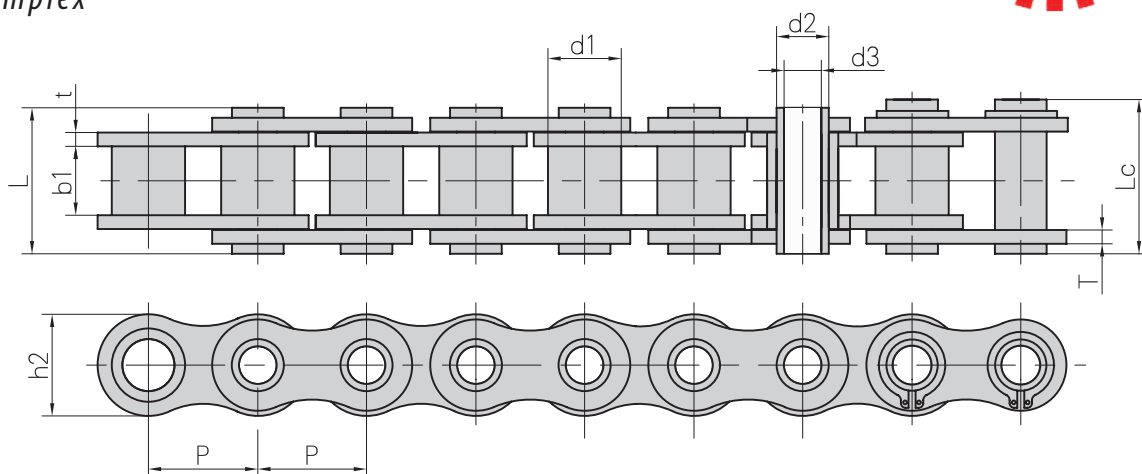
| DIN / ANSI ref. | Pitch <i>p</i> | Roller diameter <i>d1</i> max | Width between inner plates <i>b1</i> min | Pin diameter | | Pin length | | Inner plate height <i>h2</i> max | Plate thickness <i>t/T</i> max | Ultimate tensile strength <i>F_B</i> min kN/LB | Average tensile strength <i>F_{BA}</i> min kN | Weight per meter <i>q</i> kg/m |
|--------------------|-------------------|--|--|------------------|------------------|-----------------|------------------|--|---|---|--|--|
| | | | | <i>d2</i> max | <i>d3</i> max | <i>L</i> max | <i>Lc</i> max | | | | | |
| | | | | mm | mm | mm | mm | | | | | |
| C2040HP | 25,40 | 15,875 | 7,85 | 5,63 | 4,00 | 16,5 | 17,60 | 12,00 | 1,50 | 11,0/2500 | 12,6 | 0,78 |
| C2052HP | 31,75 | 19,05 | 9,53 | 7,22 | 5,12 | 20,5 | 21,80 | 15,00 | 2,03 | 20,4/4636 | 22,8 | 1,25 |
| C2062HP | 38,10 | 22,23 | 12,70 | 8,31 | 6,00 | 25,8 | 26,80 | 17,00 | 2,42 | 24,0/5455 | 27,1 | 1,72 |
| C2082HP | 50,80 | 28,58 | 15,75 | 11,40 | 8,05 | 32,4 | 33,80 | 24,00 | 3,25 | 50,0/11364 | 52,0 | 2,82 |
| C2042H-HP | 25,40 | 15,875 | 7,85 | 5,63 | 4,00 | 18,8 | 19,90 | 12,00 | 2,03 | 11,0/2500 | 13,2 | 0,95 |
| C2052H-HP | 31,75 | 19,05 | 9,53 | 7,22 | 5,12 | 22,1 | 23,40 | 15,00 | 2,42 | 20,4/4635 | 23,5 | 1,44 |
| C2062H-HP | 38,10 | 22,23 | 12,70 | 8,31 | 6,00 | 29,2 | 30,20 | 17,00 | 3,25 | 24,0/5455 | 27,6 | 1,99 |
| C2082H-HP | 50,80 | 28,58 | 15,75 | 11,40 | 8,05 | 35,7 | 37,00 | 24,00 | 4,00 | 50,0/11364 | 56,5 | 3,34 |
| HB35 (W2162) | 35,00 | 25,00 | 13,00 | 15,00 | 12,00 | 29,0 | 33,40 | 22,00 | 3,00 | 21,00/5772 | 23,7 | 2,90 |
| HB38.1F2 | 38,10 | 25,40 | 12,70 | 9,50 | 6,60 | 26,6 | 28,00 | 19,10 | 2,30 | 20,0/4545 | 22,4 | 2,07 |
| HB40 | 40,00 | 22,00 | 8,75 | 9,00 | 6,00 | 23,0 | 24,20 | 18,00 | 2,50 | 27,0/6135 | 28,0 | 1,49 |
| HB50 | 50,00 | 31,00 | 14,50 | 13,20 | 10,40 | 31,1 | 32,50 | 25,00 | 3,10 | 30,0/6818 | 34,2 | 3,29 |
| HB50F4 | 50,00 | 31,00 | 15,00 | 13,20 | 10,20 | 36,5 | 38,00 | 25,00 | 4,00 | 40,0/9091 | 44,8 | 3,73 |
| HB50.8F3 | 50,80 | 30,00 | 16,00 | 14,00 | 9,00 | 36,4 | 37,50 | 25,50 | 3,10 | 42,0/9545 | 47,0 | 3,20 |
| HB55 | 55,00 | 18,00 | 22,00 | 14,00 | 10,00 | 43,4 | 44,50 | 30,00 | 4,00 | 50,0/11364 | 52,0 | 3,31 |
| HB55F1 | 55,00 | 24,00 | 24,00 | 17,00 | 12,00 | 52,0 | 53,50 | 40,00 | 5,00 | 90,0/20455 | 100,0 | 6,34 |
| HB63F1 | 63,00 | 40,00 | 15,00 | 16,00 | 12,10 | 35,0 | 36,20 | 28,50 | 4,00 | 50,0/11364 | 56,7 | 4,20 |
| HB75 | 75,00 | 40,00 | 22,00 | 18,00 | 12,20 | 42,0 | 44,00 | 35,00 | 4,00 | 60,0/13636 | 72,0 | 5,57 |
| HB76.2 | 76,20 | 31,75 | 15,50 | 12,70 | 9,50 | 35,5 | 37,00 | 26,00 | 4,00 | 42,0/9545 | 49,2 | 3,25 |
| HB76.2F2 | 76,20 | 47,60 | 20,00 | 24,00 | 18,50 | 44,5 | 46,10 | 40,00 | 5,0/4,0 | 79,0/17953 | 92,5 | 6,77 |
| HB80 | 80,00 | 50,00 | 20,00 | 24,00 | 18,50 | 44,5 | 46,10 | 40,00 | 5,0/4,0 | 79,0/17953 | 92,5 | 6,81 |
| HB100 | 100,00 | 45,00 | 22,00 | 16,00 | 12,00 | 46,0 | 47,50 | 35,00 | 5,00 | 75,0/17044 | 90,0 | 6,20 |
| HB100F1 | 100,00 | 45,00 | 22,00 | 18,00 | 12,00 | 47,2 | 48,50 | 35,00 | 5,00 | 75,0/17044 | 90,0 | 6,15 |
| HB101.6F1 | 101,60 | 47,60 | 19,00 | 19,00 | 13,20 | 46,2 | 48,00 | 40,00 | 5,0/4,0 | 53,0/12045 | 58,2 | 6,09 |
| HB101.6F2 | 101,60 | 66,70 | 25,40 | 26,90 | 20,10 | 59,2 | 60,70 | 51,00 | 7,1/5,1 | 150,0/34088 | 160,0 | 14,23 |
| HB152 | 152,40 | 66,70 | 25,40 | 26,90 | 19,56 | 57,2 | 59,50 | 50,80 | 7,1/5,1 | 94,0/21362 | 107,8 | 9,90 |
| HB152.4F1 | 152,40 | 47,60 | 19,00 | 19,00 | 13,20 | 46,2 | 48,00 | 40,00 | 5,0/4,0 | 54,0/12270 | 59,5 | 5,00 |

Nickel plated or zinc plated on request. (Stainless Steel - see page A-47)

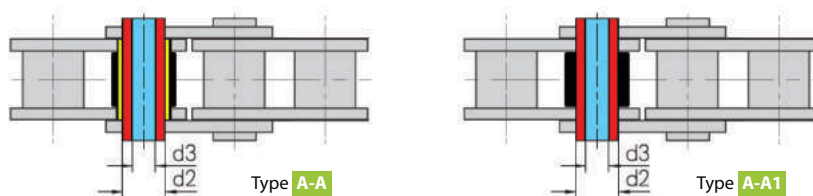
Stainless steel hollow pin bushing & roller chains



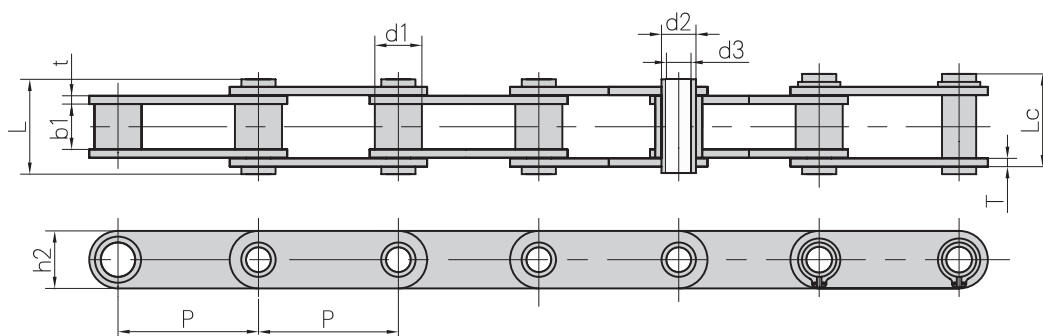
Simplex



Type A-A
A-A1
(roller type)



Type B
(bushing type)



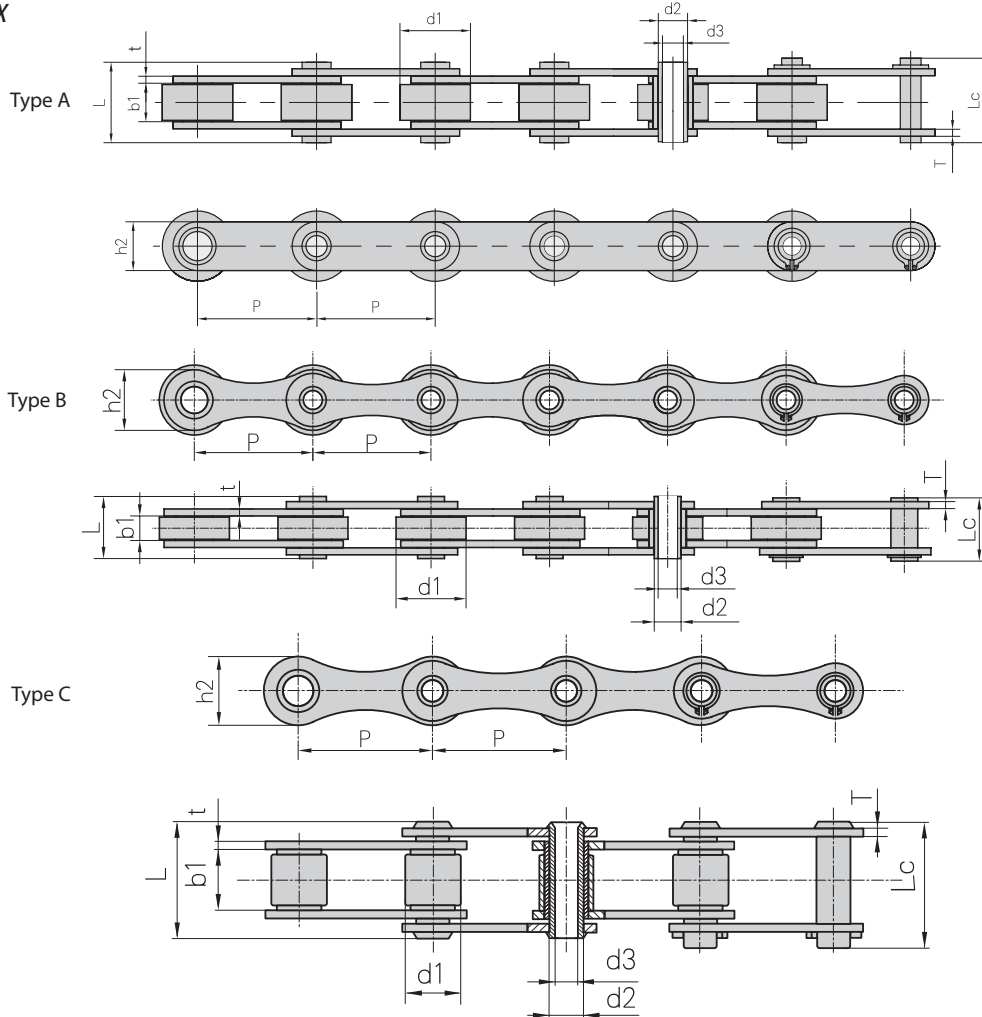
| DIN / ANSI ref. | Pitch | Bush diameter | Width between inner plates | | | Pin diameter | | Pin length | | Inner plate height | Plate thickness | Ultimate tensile strength | Weight per meter | T Y P E |
|--------------------|--------|------------------|----------------------------------|-----------|-----------|--------------|----------|------------|---------|-----------------------|--------------------|---------------------------------|---------------------|------------------|
| | | | d1 max | b1 min | d2 max | d3 min | L max | Lc max | | | | | | |
| | | | mm | mm | mm | mm | mm | mm | | | | | | |
| 08BHPSS | 12,70 | 8,51 | 7,75 | 6,55 | 4,50 | 16,40 | 17,60 | 11,80 | 1,6/1,3 | 7,8/1773 | 0,57 | A | | |
| 10BHPSS | 15,875 | 10,16 | 9,65 | 7,20 | 5,13 | 19,50 | 20,50 | 14,70 | 1,70 | 7,0/1590 | 0,85 | A | | |
| 12BHPSS | 19,05 | 12,07 | 11,68 | 6,50 | 4,00 | 21,60 | 22,80 | 15,90 | 1,85 | 16,5/3750 | 1,10 | A | | |
| 12BHPSS | 19,05 | 12,07 | 11,68 | 6,70 | 4,20 | 21,60 | 22,60 | 15,75 | 1,80 | 15,8/3590 | 1,08 | A-A | | |
| 12BHPSS | 19,05 | 12,07 | 11,68 | 8,10 | 6,10 | 22,50 | 23,70 | 16,10 | 1,88 | 16,2/3680 | 1,05 | A-A1 | | |
| 16BHPSS | 25,40 | 15,875 | 17,02 | 11,50 | 8,20 | 35,30 | 37,00 | 23,20 | 4,0/3,1 | 34,3/7790 | 2,20 | A | | |
| 40HPSS | 12,70 | 7,95 | 7,85 | 5,63 | 4,00 | 16,50 | 17,60 | 12,00 | 1,50 | 7,7/1750 | 0,55 | A | | |
| 50HPSS | 15,87 | 10,16 | 9,40 | 7,03 | 5,13 | 20,70 | 21,90 | 15,09 | 2,03 | 14,0/3182 | 0,92 | A | | |
| 60HPSS | 19,05 | 11,91 | 12,70 | 8,31 | 6,00 | 25,80 | 26,80 | 18,00 | 2,42 | 16,8/3818 | 1,31 | A | | |
| 80HPSS | 25,40 | 15,875 | 15,75 | 11,40 | 8,05 | 32,50 | 33,80 | 24,00 | 3,25 | 35,0/7955 | 2,29 | A | | |
| C2040HPSS | 25,40 | 7,95 | 7,85 | 5,63 | 4,00 | 16,50 | 17,60 | 12,00 | 1,50 | 7,7/1750 | 0,47 | B | | |
| C2050HPSS | 31,75 | 10,16 | 9,40 | 7,22 | 5,12 | 20,50 | 21,80 | 15,00 | 2,03 | 14,3/3250 | 0,77 | B | | |
| C2060HPSS | 38,10 | 11,91 | 12,70 | 8,31 | 6,00 | 25,80 | 26,80 | 17,00 | 2,42 | 16,8/3818 | 1,03 | B | | |
| C2080HPSS | 50,80 | 15,875 | 15,75 | 11,40 | 8,05 | 32,50 | 33,80 | 24,00 | 3,25 | 35,0/7955 | 1,83 | B | | |




Stainless steel hollow pin double pitch conveyor chains

Simplex

ROLLER CHAINS



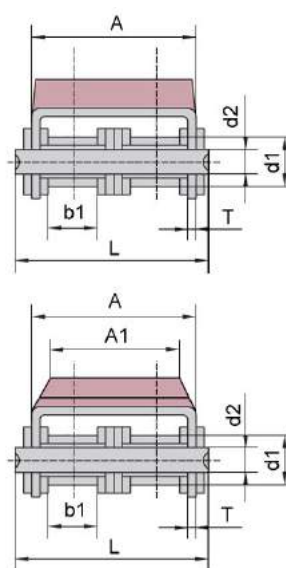
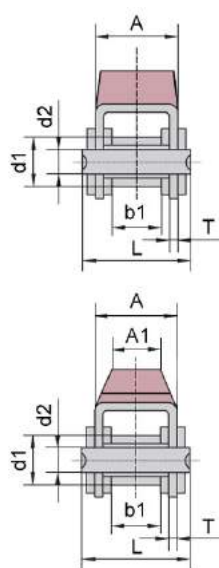
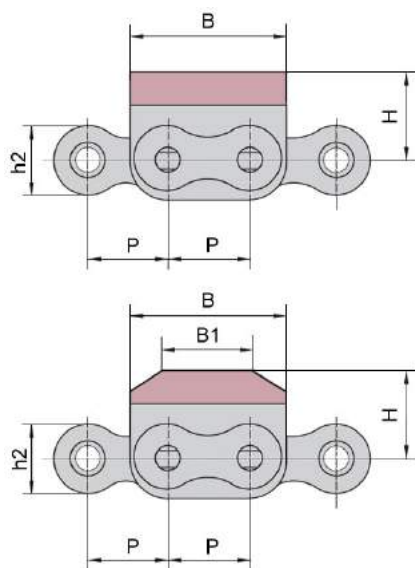
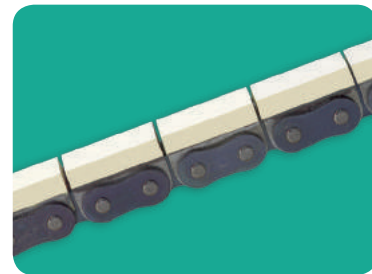
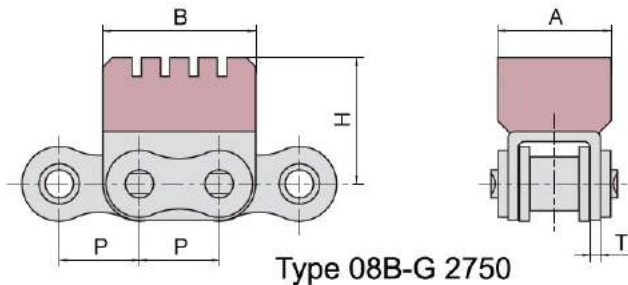
| DIN / ANSI ref.  | Pitch | Bush diameter | Width between inner plates | Pin diameter | | Pin length | | Inner plate height | Plate thickness | Ultimate tensile strength | Weight per meter | TYPE |
|--|-------|---------------|----------------------------|--------------|--------|------------|--------|--------------------|-----------------|---------------------------|------------------|------|
| | p | d1 max | b1 min | d2 max | d3 min | L max | Lc max | h2 max | t/T max | F _B min. | q | |
| | mm | mm | mm | mm | mm | mm | mm | mm | mm | kN/LB | kg/m | |
| C2042HPSS | 25,40 | 15,875 | 7,85 | 5,63 | 4,00 | 16,50 | 17,60 | 12,00 | 1,50 | 7,7/1750 | 0,79 | A |
| C2052HPSS | 31,75 | 19,05 | 9,53 | 7,22 | 5,12 | 20,50 | 21,80 | 15,00 | 2,03 | 14,3/3250 | 1,27 | A |
| C2062HPSS | 38,10 | 22,23 | 12,70 | 8,31 | 6,00 | 25,80 | 26,80 | 17,00 | 2,42 | 16,8/3818 | 1,74 | A |
| C2082HPSS | 50,80 | 28,58 | 15,75 | 11,40 | 8,05 | 32,40 | 33,80 | 24,00 | 3,25 | 35,0/7955 | 2,86 | A |
| C2042H-HPSS | 25,40 | 15,875 | 7,85 | 5,63 | 4,00 | 18,80 | 19,90 | 12,00 | 2,03 | 7,7/1750 | 0,96 | A |
| C2052H-HPSS | 31,75 | 19,05 | 9,53 | 7,22 | 5,12 | 22,10 | 23,40 | 15,00 | 2,42 | 14,3/3250 | 1,46 | A |
| C2062H-HPSS | 38,10 | 22,23 | 12,70 | 8,31 | 6,00 | 29,20 | 30,20 | 17,00 | 3,25 | 16,8/3818 | 2,02 | A |
| C2082H-HPSS | 50,80 | 28,58 | 15,75 | 11,40 | 8,05 | 36,20 | 37,60 | 24,00 | 4,00 | 35,0/7955 | 3,30 | A |
| *HB50,80SS | 50,80 | 30,00 | 10,50 | 11,40 | 8,20 | 27,40 | 28,60 | 26,00 | 3,10 | 32,0/7275 | 2,15 | B |
| A55SS | 41,75 | 17,10 | 20,20 | 11,11 | 8,20 | 35,70 | 39,00 | 21,60 | 3,10 | 13,2/3000 | 1,50 | C |

*Also available in SS304/SS316/SS400 complete or SS304/SS316/SS400 with or without thermoplastic bushing and with or without PA6 roller.



Roller chains with vulcanised elastomer profiles

Simplex & Duplex



Type 1

Type 2

| DIN / ANSI ref. | Pitch | Roller diameter | Width between inner plates | Pin diam. | Pin length | Plate and attachment dimension | | | | Ultimate tensile strength | Weight per meter | TYP E | |
|------------------|--------|-----------------|----------------------------|-----------|------------|--------------------------------|------|------|------|---------------------------|--------------------|-------|---|
| | p | d1 max | b1 min | d2 max | L max | h2 max | A | B | H | T | F _B min | q | |
| | mm | mm | mm | mm | mm | mm | mm | mm | mm | mm | kn/LB | kg/m | |
| 08B-G1 (0520) | 12,70 | 8,51 | 7,75 | 4,45 | 20,0 | 11,8 | 14,6 | 24,2 | 12,3 | 1,60 | 18,0/4091 | 1,19 | - |
| 08B-G1 (2750) | 12,70 | 8,51 | 7,75 | 4,45 | 20,0 | 11,8 | 18,0 | 24,2 | 20,0 | 1,60 | 18,0/4091 | 1,28 | 1 |
| 08B-G2 (0530) | 12,70 | 8,51 | 7,75 | 4,45 | 34,3 | 11,8 | 28,4 | 24,2 | 12,3 | 1,50 | 32,0/7273 | 2,07 | 1 |
| 08B-G2F11 | 12,70 | 8,51 | 7,75 | 4,45 | 34,3 | 11,8 | 28,4 | 24,2 | 12,0 | 1,50 | 32,0/7273 | 2,00 | 2 |
| 10B-G1 (5200) | 15,875 | 10,16 | 9,65 | 5,08 | 23,2 | 14,7 | 16,8 | 30,0 | 17,0 | 1,60 | 19,0/4318 | 1,62 | 1 |
| 10B-G2 (3190) | 15,875 | 10,16 | 9,65 | 5,08 | 39,7 | 14,7 | 33,3 | 30,0 | 17,0 | 1,50 | 44,5/10114 | 2,56 | 1 |
| 12B-G1 (4680) | 19,05 | 12,07 | 11,68 | 5,72 | 25,7 | 16,0 | 19,6 | 36,0 | 21,0 | 1,85 | 29,0/6591 | 2,01 | 1 |
| 12B-G2 (0760) | 19,05 | 12,07 | 11,68 | 5,72 | 45,3 | 16,0 | 39,1 | 36,0 | 16,0 | 1,85 | 57,8/13136 | 3,21 | 1 |
| 16A-G1 (0570) | 25,40 | 15,875 | 15,75 | 7,92 | 37,2 | 24,0 | 27,5 | 46,0 | 20,0 | 2,42 | 42,0/9545 | 3,97 | 1 |
| 16B-G1F11 (6580) | 25,40 | 15,875 | 17,02 | 8,28 | 39,7 | 21,0 | 29,1 | 49,0 | 21,4 | 1,60 | 58,0/13407 | 3,78 | 2 |
| 16B-G1 | 25,40 | 15,875 | 17,02 | 8,28 | 39,7 | 21,0 | 29,1 | 49,0 | 21,4 | 1,60 | 58,0/13407 | 3,83 | 1 |
| 16B-G2F11 | 25,40 | 15,875 | 17,02 | 8,28 | 71,7 | 21,0 | 60,9 | 49,0 | 16,2 | 1,60 | 106,0/26094 | 6,25 | 2 |
| 16B-G2 | 25,40 | 15,875 | 17,02 | 8,28 | 71,7 | 21,0 | 60,9 | 49,0 | 16,2 | 1,60 | 106,0/26094 | 6,38 | 1 |
| 20B-G1 (2160) | 31,75 | 19,05 | 19,56 | 10,19 | 48,0 | 26,4 | 36,0 | 57,0 | 21,0 | 3,50 | 85,0/19318 | 6,19 | 1 |
| 24B-G1 (0830) | 38,10 | 25,40 | 25,40 | 14,63 | 61,6 | 33,2 | 47,0 | 72,6 | 28,0 | 4,50 | 160,0/36363 | 11,25 | 1 |



Roller chains with vulcanised elastomer profiles with straight side plates

Simplex & Duplex



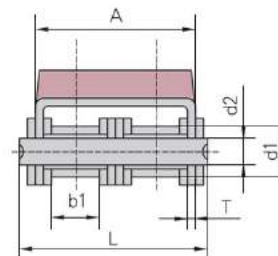
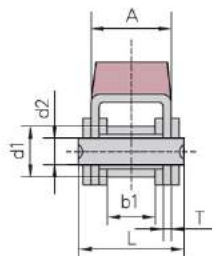
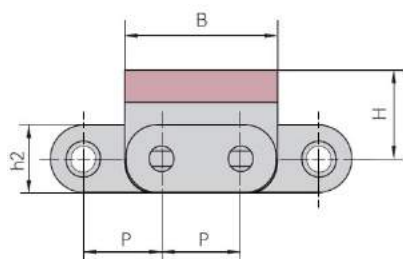
C08B 5700 NBR



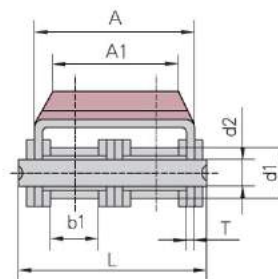
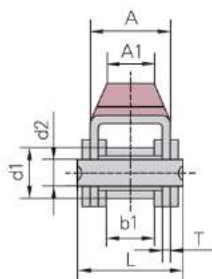
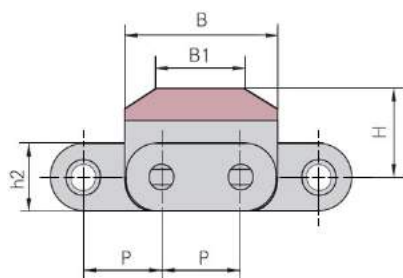
C10B 5200 NR65



ROLLER CHAINS



Type 1



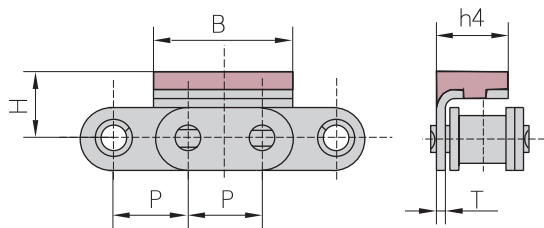
Type 2

| DIN / ANSI ref. | Pitch | Roller diameter | Width between inner plates | Pin diameter | Pin length | Plate and attachment dimension | | | | | Ultimate tensile strength | Weight per meter | T Y P E |
|-------------------|--------|-----------------|----------------------------|--------------|------------|--------------------------------|------|------|------|------|---------------------------|------------------|---------|
| BTC | P | d1 max | b1 min | d2 max | L max | h2 max | A | B | H | T | F ₈ min | q | |
| | mm | mm | mm | mm | mm | mm | mm | mm | mm | mm | kN/LB | kg/m | |
| C08B-G1 (0520) | 12,70 | 8,51 | 7,75 | 4,45 | 20,0 | 11,8 | 14,6 | 24,2 | 12,3 | 1,60 | 18,0/4091 | 1,30 | 1 |
| C08B-G2 (0530) | 12,70 | 8,51 | 7,75 | 4,45 | 34,3 | 11,8 | 28,4 | 24,2 | 12,3 | 1,50 | 32,0/7273 | 2,29 | 1 |
| C08B-G2F11 | 12,70 | 8,51 | 7,75 | 4,45 | 34,3 | 11,8 | 28,4 | 24,2 | 12,0 | 1,50 | 32,0/7273 | 2,22 | 2 |
| C10B-G1 (5200) | 15,875 | 10,16 | 9,65 | 5,08 | 23,2 | 14,7 | 16,8 | 30,0 | 17,0 | 1,60 | 19,0/4318 | 1,75 | 1 |
| C10B-G2 (3190) | 15,875 | 10,16 | 9,65 | 5,08 | 39,7 | 14,7 | 33,3 | 30,0 | 17,0 | 1,50 | 44,5/10114 | 2,95 | 1 |
| C12B-G1 (4680) | 19,05 | 12,07 | 11,68 | 5,72 | 25,7 | 16,0 | 19,6 | 36,0 | 21,0 | 1,85 | 29,0/6591 | 2,15 | 1 |
| C12B-G2 (0760) | 19,05 | 12,07 | 11,68 | 5,72 | 45,3 | 16,0 | 39,1 | 36,0 | 16,0 | 1,85 | 57,8/13136 | 3,48 | 1 |
| C16A-G1 (0570) | 25,40 | 15,875 | 15,75 | 7,92 | 37,2 | 24,0 | 27,5 | 46,0 | 20,0 | 2,42 | 42,0/9545 | 4,34 | 1 |
| C16B-G1F11 (6580) | 25,40 | 15,875 | 17,02 | 8,28 | 39,7 | 21,0 | 29,1 | 49,0 | 21,4 | 1,60 | 58,0/13407 | 4,06 | 2 |
| C16B-G1 | 25,40 | 15,875 | 17,02 | 8,28 | 39,7 | 21,0 | 29,1 | 49,0 | 21,4 | 1,60 | 58,0/13407 | 4,11 | 1 |
| C16B-G2F11 | 25,40 | 15,875 | 17,02 | 8,28 | 71,7 | 21,0 | 60,9 | 49,0 | 16,2 | 1,60 | 106,0/26094 | 6,80 | 2 |
| C16B-G2 | 25,40 | 15,875 | 17,02 | 8,28 | 71,7 | 21,0 | 60,9 | 49,0 | 16,2 | 1,60 | 106,0/26094 | 6,95 | 1 |
| C20B-G1 (2160) | 31,75 | 19,05 | 19,56 | 10,19 | 48,0 | 26,4 | 36,0 | 57,0 | 21,0 | 3,50 | 85,0/19318 | 6,65 | 1 |
| C24B-G1 (0830) | 38,10 | 25,40 | 25,40 | 14,63 | 61,6 | 33,2 | 47,0 | 72,6 | 28,0 | 4,50 | 160,0/36363 | 11,63 | 1 |



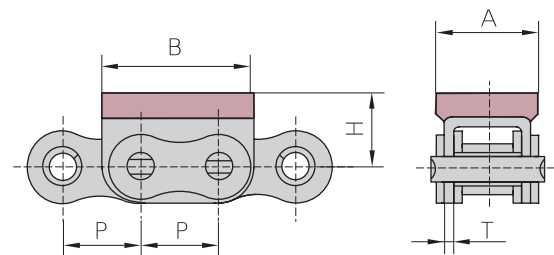
Roller chains with vulcanised elastomer profiles

Simplex & Duplex

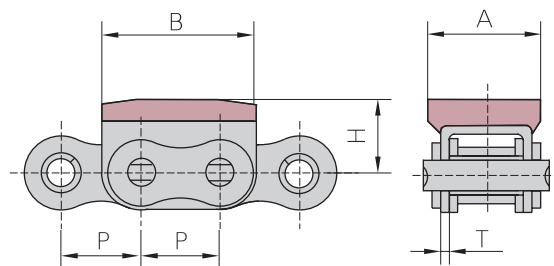


| DIN ref. | P | B | H | h4 | T |
|----------|-------|-------|-----|------|-----|
| 06BF9 | 9,525 | 17,73 | 9,0 | 9,05 | 1,3 |

| DIN ref. | P | A | B | H | T |
|------------|------|------|------|------|-----|
| 08B- G1 F4 | 12,7 | 18,0 | 24,2 | 12,3 | 1,6 |



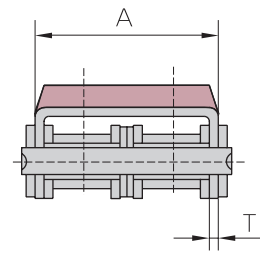
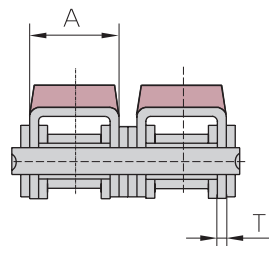
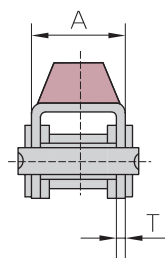
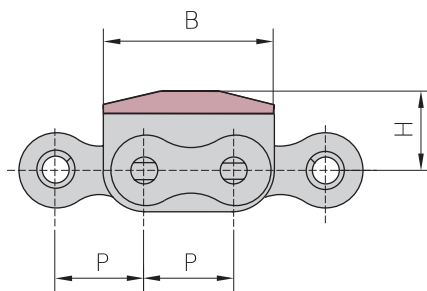
| DIN ref. | P | A | B | H | T |
|-----------|------|------|------|------|-----|
| 08B- G1F1 | 12,7 | 18,0 | 24,2 | 12,3 | 1,6 |



C16B-G1F11
20B-G1F2
24B-G1F1

16A-G2F3
16A-G2F4

06B-G2F1
08B-G2F14

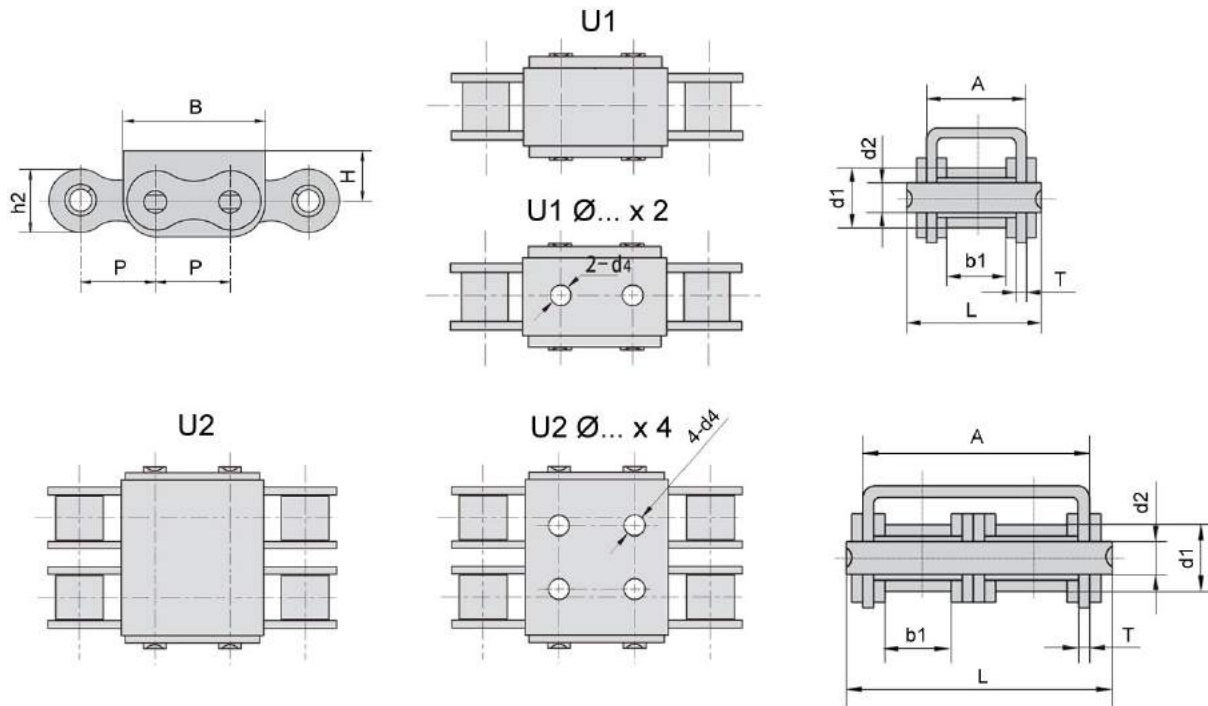


| DIN ref. | P | A | B | H | T | Weight |
|------------|-------|------|------|------|------|--------|
| 08B-G2F1 | 12,70 | 28,4 | 24,2 | 12,0 | 1,5 | 2,20 |
| 08B-G2F14 | 12,70 | 14,6 | 24,2 | 16,0 | 1,6 | 2,05 |
| 16A-G2F3 | 25,40 | 27,5 | 49,0 | 21,4 | 2,42 | 8,22 |
| 16A-G2F4 | 25,40 | 27,0 | 49,2 | 20,0 | 2,03 | 8,10 |
| C16B-G1F11 | 25,40 | 29,5 | 49,0 | 21,4 | 1,6 | 4,25 |
| 20B-G1F2 | 31,75 | 36,0 | 57,0 | 35,0 | 3,5 | 6,05 |
| 24B-G1F1 | 38,10 | 47,0 | 72,6 | 34,0 | 4,5 | 11,00 |



Roller chains with U - type attachments

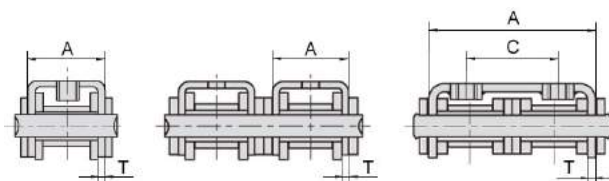
Simplex & Duplex



| DIN / ANSI ref. | Pitch | Roller diameter | Width between inner plates | Pin diam. | Pin length | Plate and attachment dimension | | | | | | Ultimate tensile strength | Weight per meter |
|-----------------|--------|-----------------|----------------------------|-----------|------------|--------------------------------|------|------|------|------|------|---------------------------|------------------|
| BTC | P | d1 max | b1 min | d2 max | L max | h2 max | A | B | H | T | d4 | F _a min | q |
| | mm | mm | mm | mm | mm | mm | mm | mm | mm | mm | mm | kN/LB | kg/m |
| 08B-U1 | 12,70 | 8,51 | 7,75 | 4,45 | 20,0 | 11,8 | 14,6 | 24,2 | 8,3 | 1,60 | 4,0 | 18,0/4091 | 1,13 |
| 08B-U2 | 12,70 | 8,51 | 7,75 | 4,45 | 34,3 | 11,8 | 28,4 | 24,2 | 8,3 | 1,50 | 4,0 | 32,0/7273 | 1,96 |
| 10B-U1 | 15,875 | 10,16 | 9,65 | 5,08 | 23,2 | 14,7 | 16,8 | 30,0 | 11,3 | 1,60 | 5,0 | 19,0/4318 | 1,53 |
| 10B-U2 | 15,875 | 10,16 | 9,65 | 5,08 | 39,7 | 14,7 | 33,3 | 30,0 | 11,3 | 1,50 | 5,0 | 44,5/10114 | 2,47 |
| 12B-U1 | 19,05 | 12,07 | 11,68 | 5,72 | 25,7 | 16,0 | 19,6 | 36,0 | 13,0 | 1,85 | 5,0 | 29,0/6591 | 1,90 |
| 12B-U2 | 19,05 | 12,07 | 11,68 | 5,72 | 45,3 | 16,0 | 39,1 | 36,0 | 12,0 | 1,85 | 5,0 | 57,8/13136 | 3,03 |
| 16A-U1 | 25,40 | 15,875 | 15,75 | 7,92 | 37,2 | 24,0 | 27,5 | 46,0 | 16,0 | 2,42 | 6,0 | 42,0/9545 | 3,87 |
| 16B-U1 | 25,40 | 15,875 | 17,02 | 8,28 | 39,7 | 21,0 | 29,1 | 49,0 | 15,4 | 1,60 | 6,0 | 58,0/13407 | 3,73 |
| 16B-U2 | 25,40 | 15,875 | 17,02 | 8,28 | 71,7 | 21,0 | 60,9 | 49,0 | 16,2 | 1,60 | 6,0 | 106,0/26094 | 6,15 |
| 20B-U1 | 31,75 | 19,05 | 19,56 | 10,19 | 48,0 | 26,4 | 36,0 | 57,0 | 21,0 | 3,50 | 8,0 | 85,0/19318 | 6,01 |
| 24B-U1 | 38,10 | 25,40 | 25,40 | 14,63 | 61,6 | 33,2 | 47,0 | 72,6 | 28,0 | 4,50 | 10,0 | 160,0/36363 | 10,88 |

U-attachments with 2 holes: ref. 12B-U1 Ø5x2 (d4)

Other examples threaded M6 & M8 on request :

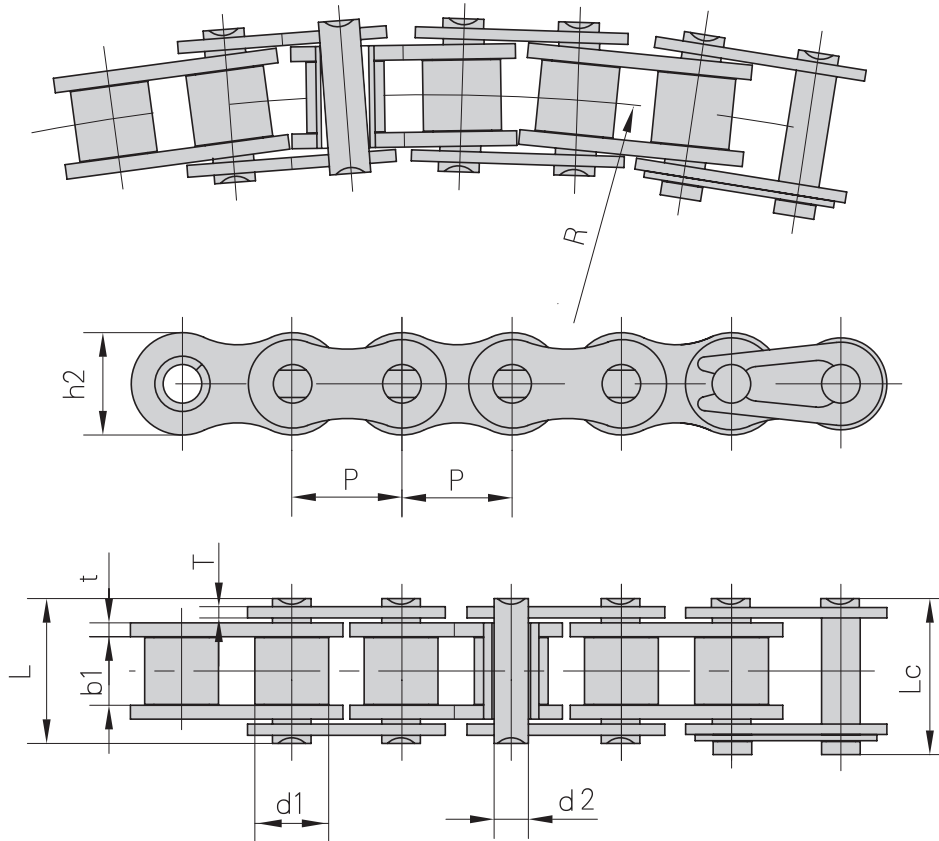




Side bow chains

Simplex

ROLLER CHAINS



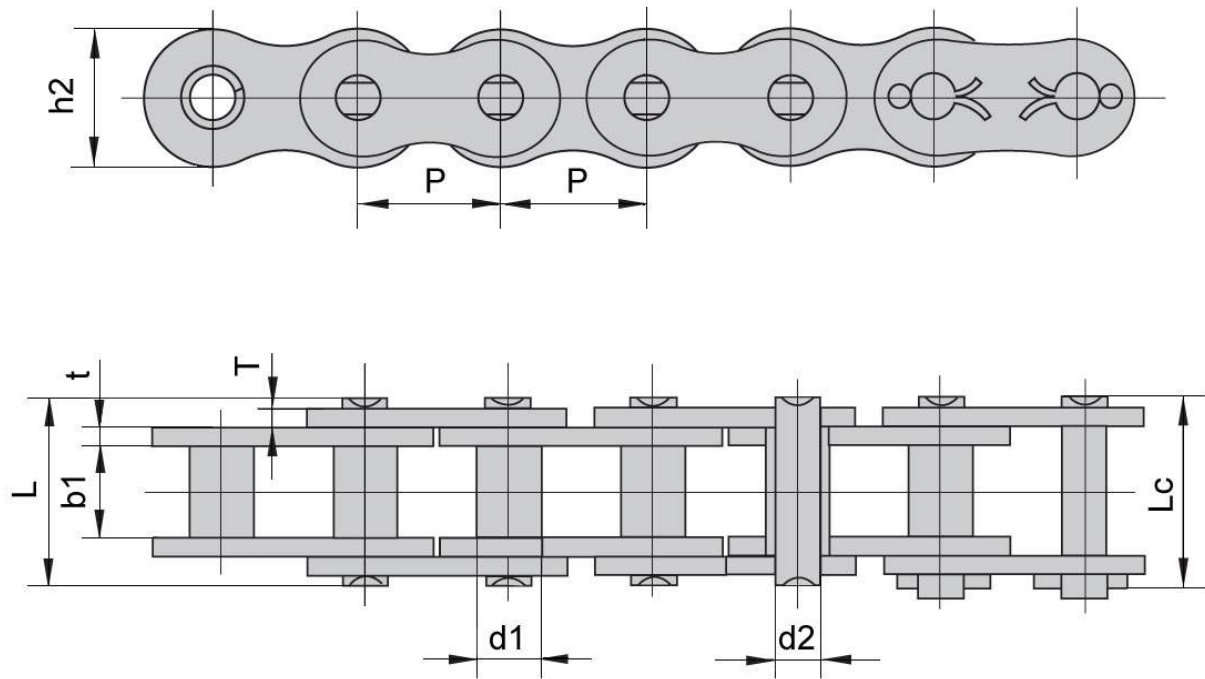
| ANSI / DIN ref. | Pitch | Roller diameter | Width between inner plates | Pin diameter | Pin length | | Inner plate height | Plate thickness | Side bow radius | Ultimate tensile strength | Average tensile strength | Weight per meter |
|---|--------|-----------------|----------------------------|--------------|------------|--------|--------------------|-----------------|-----------------|---------------------------|--------------------------|------------------|
|  | P | d1 max | b1 min | d2 max | L max | Lc max | h2 max | t/T max | R min | F _B min. | F _{BA} | q |
| | mm | mm | mm | mm | mm | mm | mm | mm | mm | kN/LB | kN | kg/m |
| 40SB | 12,70 | 7,95 | 7,85 | 3,96 | 16,9 | 18,1 | 11,7 | 1,5 | 350 | 13,8/3136 | 15,2 | 0,80 |
| #43SB | 12,70 | 7,95 | 7,85 | 3,45 | 18,3 | 19,5 | 11,7 | 1,5 | 200 | 12,0/2727 | 13,2 | 0,64 |
| 50SB | 15,875 | 10,16 | 9,40 | 4,37 | 20,7 | 22,7 | 14,9 | 2,03 | 400 | 20,6/4681 | 22,7 | 1,09 |
| 60SB | 19,05 | 11,91 | 12,57 | 5,34 | 26,6 | 28,4 | 18,0 | 2,42 | 500 | 15,7/3568 | 17,3 | 1,54 |
| #63SB | 19,05 | 11,91 | 12,68 | 5,08 | 28,8 | 30,6 | 17,2 | 2,42/2,03 | 430 | 12,5/2840 | 20,0 | 1,40 |
| 80SB | 25,40 | 15,875 | 15,75 | 7,19 | 34,0 | 37,3 | 24,0 | 3,25 | 711 | 40,9/9201 | 42,0 | 2,60 |
| 06BSB | 9,525 | 6,35 | 5,72 | 2,70 | 13,8 | 14,9 | 8,2 | 1,3 | 360 | 8,0/1818 | 8,8 | 0,60 |
| 08BSB | 12,70 | 8,51 | 7,75 | 3,97 | 17,4 | 18,7 | 11,8 | 1,6 | 400 | 14,0/3182 | 15,4 | 0,70 |
| 08BSBF1 | 12,70 | 8,51 | 7,75 | 3,97 | 16,3 | 17,6 | 11,8 | 1,6/1,2 | 400 | 12,8/2909 | 14,1 | 0,65 |
| 10 BSB | 15,875 | 10,16 | 9,65 | 4,50 | 20,1 | 21,5 | 14,7 | 1,7 | 400 | 15,6/3545 | 17,2 | 0,93 |
| 12BSB | 19,05 | 12,07 | 11,68 | 5,12 | 23,1 | 24,8 | 16,0 | 1,85 | 500 | 20,5/4658 | 22,6 | 1,16 |
| C2050SB | 31,75 | 10,16 | 9,40 | 5,08 | 21,3 | 22,6 | 15,0 | 2,03 | 800 | 21,8/4954 | 24,1 | 0,84 |


Chains with both sided extended pins inner links with straight side plates



Bushing chains - DIN 8164

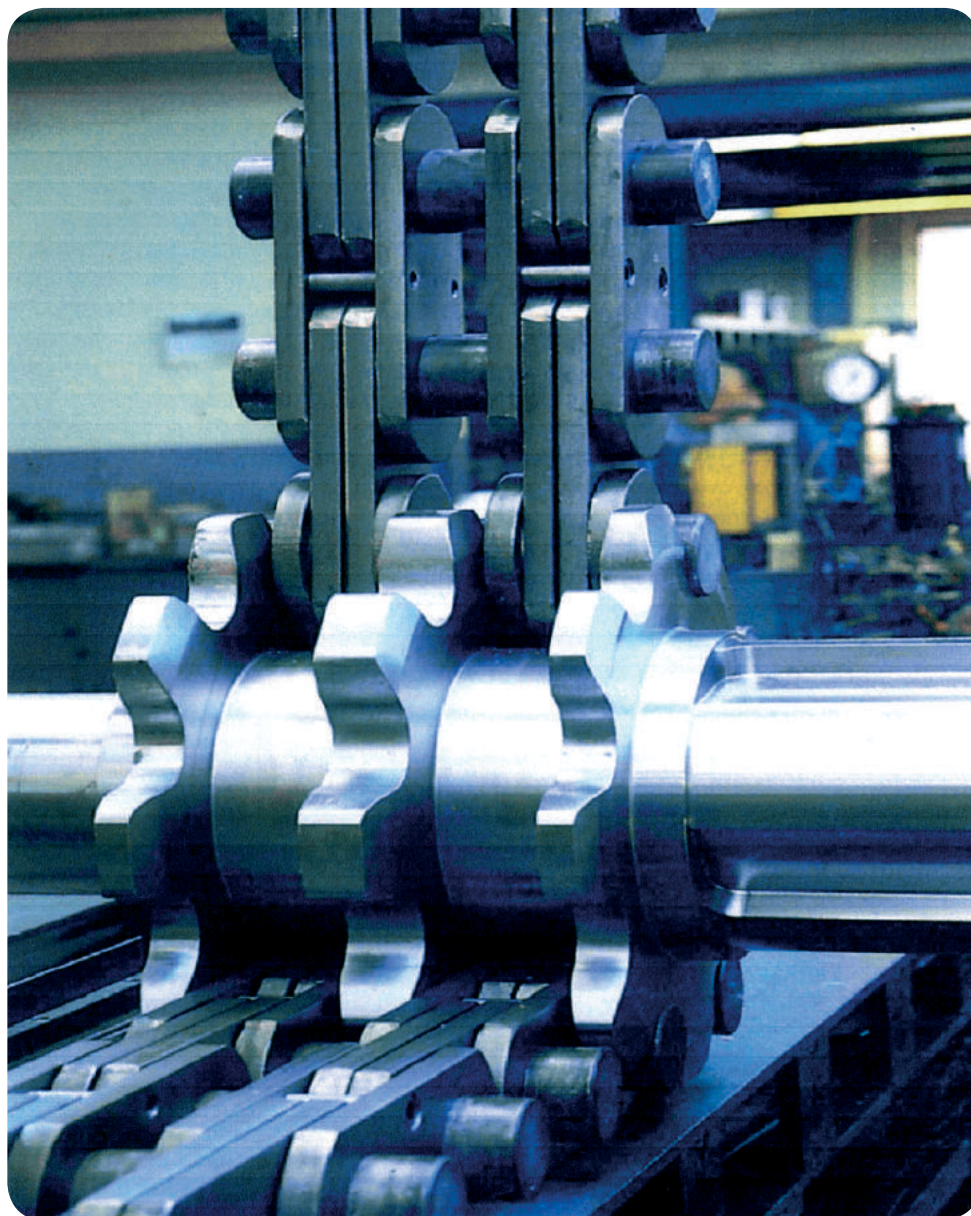
Simplex



| Chain no. | Pitch | Width between plates | Pin diameter | Bush diameter | Pin length | | Inner plate height | Plate thickness | Ultimate tensile strength | Average tensile strength | Weight per meter |
|---|-------|----------------------|--------------|---------------|------------|--------|--------------------|-----------------|---------------------------|--------------------------|------------------|
|  | P | b1 max | d2 max | d1 max | L max | Lc max | h2 max | t/T max | $F_{B min}$ | F_{BA} | q |
| | mm | mm | mm | mm | mm | mm | mm | mm | kN/LB | kN | kg/m |
| 10020 | 20,00 | 16,00 | 8,00 | 12,00 | 33,00 | 36,00 | 19,00 | 3,00 | 25,0/5624 | 27,50 | 2,03 |
| 10025 | 25,00 | 18,00 | 10,00 | 15,00 | 35,00 | 39,00 | 24,00 | 3,00 | 31,5/7086 | 34,70 | 2,67 |
| 10030 | 30,00 | 20,00 | 11,00 | 17,00 | 42,40 | 46,00 | 28,00 | 4,00 | 40,0/8998 | 44,00 | 3,75 |
| 10035 | 35,00 | 22,00 | 12,00 | 18,00 | 44,50 | 48,00 | 30,00 | 4,00 | 50,0/11248 | 55,00 | 4,33 |
| 10040 | 40,00 | 25,00 | 14,00 | 20,00 | 52,40 | 57,00 | 35,00 | 5,00 | 63,0/14172 | 69,30 | 5,43 |
| 10045 | 45,00 | 30,00 | 16,00 | 22,00 | 62,00 | 66,50 | 40,00 | 6,00 | 80,0/17996 | 88,00 | 7,54 |
| 10050 | 50,00 | 35,00 | 18,00 | 26,00 | 68,00 | 73,50 | 44,00 | 6,00 | 100,0/22495 | 110,00 | 8,90 |
| 10055 | 55,00 | 45,00 | 20,00 | 30,00 | 88,00 | 93,50 | 49,00 | 8,00 | 125,0/28119 | 137,50 | 13,92 |
| 10060 | 60,00 | 50,00 | 22,00 | 32,00 | 94,10 | 99,50 | 55,00 | 8,00 | 160,0/35993 | 176,00 | 15,20 |



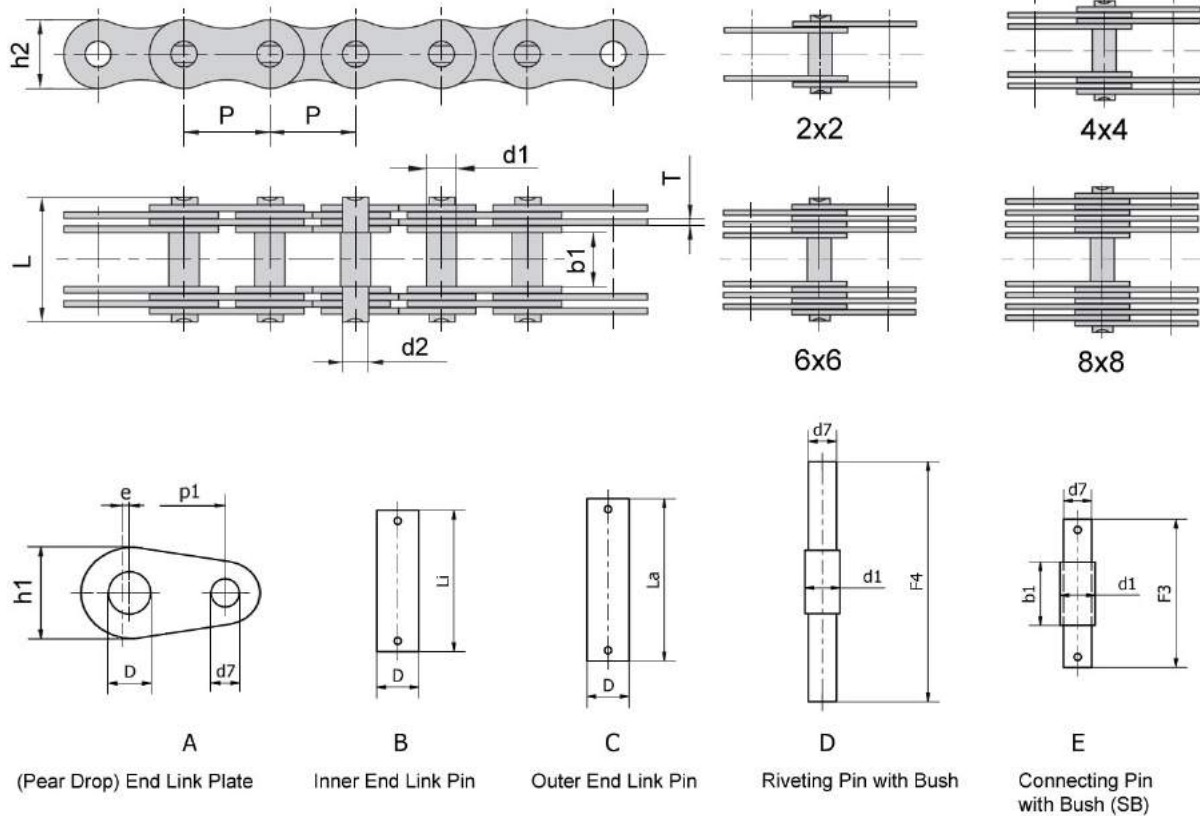
Lock chain




Triplex gall chains pitch 180mm, 80mm shaft, 140 x 25mm side-plates.
3840kN breaking-load, Sprockets triplex 3 x 8 teeth.



Gall chains - DIN 8150 / 8151



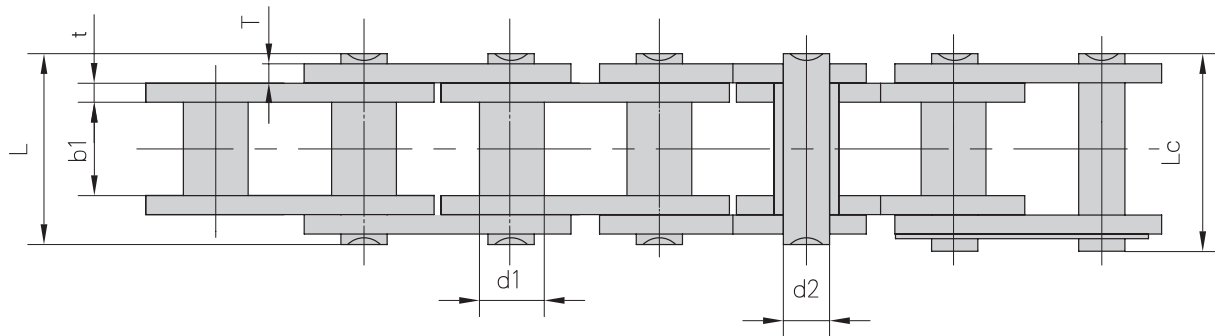
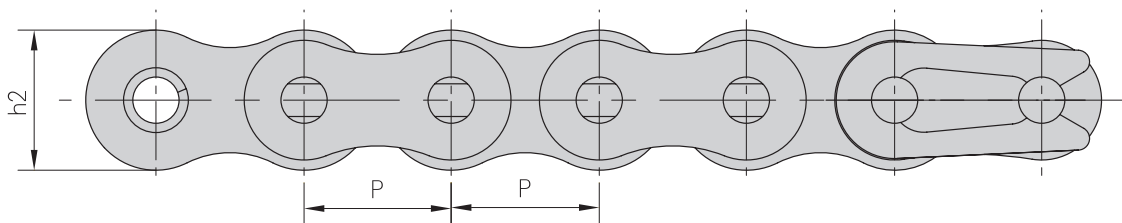
| Chain ref.  | P | p1 | b1 min | d1 max | d2 | d7 | D max | e | L max | L1 max | L2 max | Li max | La max | h2 | h1 | T max | F _s min | q | N° Plates |
|---|-----|-----|-----------|-----------|----|----|----------|-----|----------|-----------|-----------|-----------|-----------|-----|-----|----------|-----------------------|-------|--------------|
| | mm | mm | mm | mm | mm | mm | mm | mm | mm | mm | mm | mm | mm | mm | mm | mm | | kg/m | |
| G15 | 15 | 20 | 12 | 5 | 4 | 4 | 9 | 2 | 25 | - | 27 | 29 | 33 | 12 | 18 | 2,0 | 5,0/1125 | 0,7 | 2 x 2 |
| G20 | 20 | 25 | 15 | 8 | 6 | 6 | 10 | 2 | 28 | - | 33 | 32 | 36 | 15 | 20 | 2,03 | 12,5/2818 | 1,1 | 2 x 2 |
| G25 | 25 | 30 | 18 | 10 | 8 | 8 | 12 | 2,5 | 36 | 68 | 42 | 40 | 46 | 18 | 26 | 3,0 | 25,0/5624 | 1,8 | 2 x 2 |
| G30 | 30 | 40 | 20 | 11 | 9 | 9 | 14 | 3 | 51 | 88 | 58 | 54 | 60 | 20 | 30 | 3,0 | 40,0/8999 | 3,4 | 4 x 4 |
| G35 | 35 | 45 | 22 | 12 | 10 | 10 | 16 | 3,5 | 53 | 93 | 61 | 55 | 62 | 26 | 35 | 3,0 | 60,0/13498 | 4,5 | 4 x 4 |
| G40 | 40 | 50 | 25 | 14 | 12 | 12 | 18 | 4 | 58 | 102 | 66 | 63 | 70 | 32 | 40 | 3,0 | 80,0/17998 | 5,0 | 4 x 4 |
| G45 | 45 | 55 | 30 | 17 | 14 | 14 | 22 | 4,5 | 63 | 108 | 70 | 68 | 75 | 35 | 45 | 3,0 | 100,0/22497 | 7,0 | 4 x 4 |
| G50 | 50 | 60 | 35 | 22 | 18 | 18 | 26 | 5 | 90 | 141 | 97 | 98 | 108 | 40 | 50 | 4,5 | 150,0/33746 | 11,3 | 4 x 4 |
| G55 | 55 | 65 | 40 | 24 | 21 | 21 | 32 | 5,5 | 108 | 163 | 115 | 118 | 132 | 42 | 55 | 6,0 | 200,0/44994 | 14,5 | 4 x 4 |
| G60 | 60 | 70 | 45 | 26 | 23 | 23 | 36 | 6 | 114 | 171 | 120 | 125 | 139 | 46 | 60 | 6,0 | 250,0/56243 | 17,1 | 4 x 4 |
| G70 | 70 | 85 | 50 | 32 | 28 | 28 | 40 | 7 | 148 | 213 | 457 | 156 | 169 | 55 | 70 | 6,0 | 375,0/84364 | 34,0 | 6 x 6 |
| G80 | 80 | 100 | 60 | 36 | 32 | 32 | 50 | 8,5 | 159 | 233 | 171 | 176 | 189 | 60 | 85 | 6,0 | 500,0/112486 | 39,0 | 6 x 6 |
| G90 | 90 | 120 | 70 | 40 | 36 | 36 | 60 | 10 | 184 | 266 | 200 | 199 | 214 | 70 | 100 | 7,0 | 750,0/168728 | 53,0 | 6 x 6 |
| G100 | 100 | 140 | 80 | 45 | 40 | 40 | 70 | 12 | 224 | 309 | 234 | 239 | 256 | 80 | 120 | 7,0 | 1000,0/224972 | 77,0 | 8 x 8 |
| G110 | 110 | 160 | 90 | 50 | 45 | 45 | 80 | 14 | 236 | 327 | 251 | 264 | 279 | 90 | 140 | 7,0 | 1250,0/281215 | 90,0 | 8 x 8 |
| G120 | 120 | 180 | 100 | 55 | 50 | 50 | 90 | 16 | 262 | 357 | 277 | 287 | 306 | 100 | 160 | 8,0 | 1500,0/337458 | 112,0 | 8 x 8 |



Hoisting rollerless chains - DIN 8188

ANSI - American standard

Simplex

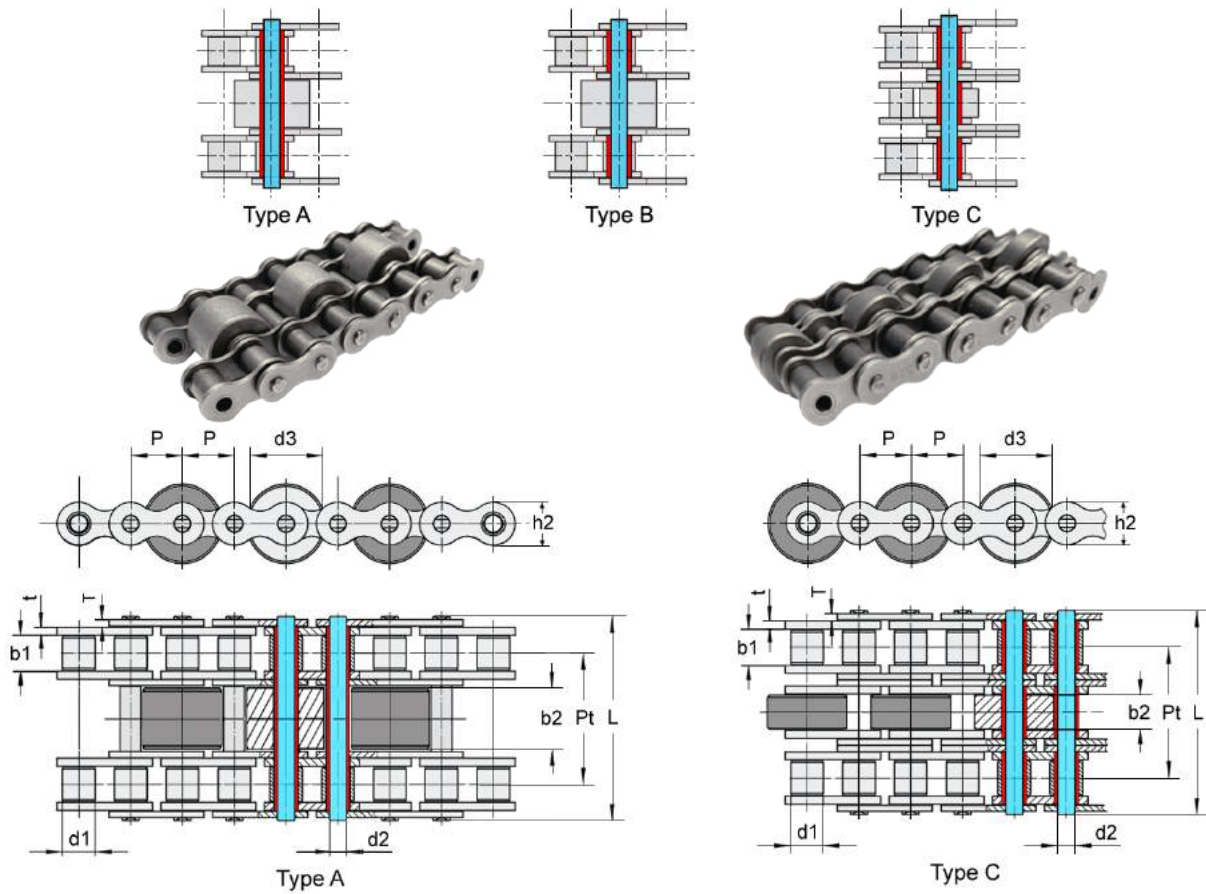


| ANSI ref. | Pitch | Bush diameter | Width between inner plates | Pin diameter | Pin length | | Inner plate height | Plate thickness | Ultimate tensile strength | Average tensile strength | Weight per meter |
|---|--------|---------------|----------------------------|--------------|------------|--------|--------------------|-----------------|---------------------------|--------------------------|------------------|
|  | P | d1 max | b1 min | d2 max | L max | Lc max | h2 max | T max | $F_{B \min}$ | F_{BA} | q |
| | mm | mm | mm | mm | mm | mm | mm | mm | kN/LB | kN | kg/m |
| 45-1 | 12,700 | 5,63 | 7,85 | 3,96 | 16,6 | 17,8 | 12,00 | 1,50 | 14,10/3205 | 17,5 | 0,54 |
| 55-1 | 15,875 | 7,03 | 9,40 | 5,08 | 20,7 | 22,2 | 15,09 | 2,03 | 22,20/5045 | 29,4 | 0,83 |
| 65-1 | 19,050 | 8,33 | 12,57 | 5,94 | 25,9 | 27,7 | 18,00 | 2,42 | 31,80/7227 | 41,5 | 1,22 |
| 85-1 | 25,400 | 11,10 | 15,75 | 7,92 | 32,7 | 35,0 | 24,00 | 3,25 | 56,70/12886 | 69,4 | 2,16 |
| 105-1 | 31,750 | 13,60 | 18,90 | 9,53 | 40,4 | 44,7 | 30,00 | 4,00 | 88,50/20114 | 109,2 | 3,31 |
| 125-1 | 38,100 | 15,60 | 25,22 | 11,10 | 50,3 | 54,3 | 35,70 | 4,80 | 127,00/28864 | 156,3 | 4,97 |
| 145-1 | 44,450 | 18,00 | 25,22 | 12,70 | 54,4 | 59,0 | 41,00 | 5,60 | 172,40/39182 | 212,0 | 6,50 |
| 165-1 | 50,800 | 20,00 | 31,55 | 14,27 | 64,8 | 69,6 | 47,80 | 6,40 | 226,80/51545 | 278,9 | 8,70 |



Accumulation roller chains

- All types can be used on standard triplex plate wheels without center teeth.



| Chain ref. | Pitch | Roller diameter | | Width between inner plates | Accumul. roller width | Pin diameter | Transverse pitch | Pin length | Inner plate height | Plate thickness | Ultimate tensile strength | Average tensile strength | Weight per meter | | TYPE | | | | | | | | | |
|--------------------|--------|-----------------|--------|----------------------------|-----------------------|--------------|------------------|------------|--------------------|-----------------|---------------------------|--------------------------|------------------|-------|------|--------|----|-------|--------|-----|--------------------|---------------------|----------------|----------------|
| | | d1 max | d3 max | | | | | | | | | | b1 min | b2 mm | | d2 max | Pt | L max | h2 max | t/T | F _B min | F _{BA} min | q _P | q _C |
| | | mm | mm | | | | | | | | | | mm | mm | | mm | mm | mm | mm | mm | kN/LB | kN | kg/m | kg/m |
| 06BS-3-34-P15/C15 | 9,525 | 6,35 | 15,00 | 5,72 | 9,00 | 3,28 | 20,48 | 33,5 | 8,2 | 1,30 | 16,9/3841 | 18,70 | 1,2 | 1,5 | B | | | | | | | | | |
| 08BS-3-45-P16/C16 | 12,70 | 8,51 | 16,00 | 7,75 | 13,50 | 4,45 | 27,84 | 48,5 | 11,8 | 1,60 | 32,0/7273 | 38,70 | 2,5 | 3,5 | A | | | | | | | | | |
| 08BS-3-45-P17/C17 | 12,70 | 8,51 | 17,00 | 7,75 | 13,50 | 4,45 | 27,84 | 48,5 | 11,8 | 1,60 | 32,0/7273 | 38,70 | 2,6 | 3,6 | A | | | | | | | | | |
| 08BS-3-45-P20/C20 | 12,70 | 8,51 | 20,00 | 7,75 | 13,50 | 4,45 | 27,84 | 48,5 | 11,8 | 1,60 | 32,0/7273 | 38,70 | 2,7 | 3,7 | A | | | | | | | | | |
| 10BS-3-52-P23/C23 | 15,875 | 10,15 | 23,00 | 9,65 | 16,30 | 5,08 | 33,18 | 56,9 | 14,9 | 1,70 | 41,5/9430 | 50,05 | 3,4 | 5,0 | A | | | | | | | | | |
| 12BS-3-62-P24/C24 | 19,05 | 12,07 | 24,00 | 11,68 | 18,60 | 5,72 | 38,92 | 61,5 | 16,0 | 1,85 | 57,8/12993 | 66,50 | 4,3 | 4,5 | A | | | | | | | | | |
| 12BS-3-62-P26/C26 | 19,05 | 12,07 | 26,00 | 11,68 | 18,60 | 5,72 | 38,92 | 61,5 | 16,0 | 1,85 | 57,8/12993 | 66,50 | 4,5 | 5,8 | A | | | | | | | | | |
| 12BS-3-62-P28/C28 | 19,05 | 12,07 | 28,00 | 11,68 | 18,60 | 5,72 | 38,92 | 61,5 | 16,0 | 1,85 | 57,8/12993 | 66,50 | 4,7 | 6,0 | A | | | | | | | | | |
| 12BS-3-62-P31/C31 | 19,05 | 12,07 | 31,00 | 11,68 | 18,60 | 5,72 | 38,92 | 61,5 | 16,0 | 1,85 | 57,8/12993 | 66,50 | 4,9 | 6,3 | B | | | | | | | | | |
| T513SF | 19,05 | 12,07 | 24,00 | 11,68 | 10,50 | 5,72 | 38,92 | 61,7 | 16,0 | 1,85 | 60,0/13635 | 69,00 | 4,7 | 4,2 | C | | | | | | | | | |
| T548SF | 25,40 | 15,88 | 38,50 | 17,02 | 15,80 | 8,28 | 63,76 | 99,9 | 21,0 | 4,15/3,1 | 120,0/27270 | 149,50 | 9,6 | 11,2 | C | | | | | | | | | |
| 16BS-3-100-P35/C35 | 25,40 | 15,88 | 35,00 | 17,02 | 31,50 | 8,28 | 63,76 | 99,8 | 21,0 | 4,15/3,1 | 130,0/29540 | 149,50 | 10,1 | 11,8 | A | | | | | | | | | |
| 16BS-3-100-P38/C38 | 25,40 | 15,88 | 38,50 | 17,02 | 31,50 | 8,28 | 63,76 | 99,8 | 21,0 | 4,15/3,1 | 130,0/29540 | 149,50 | 10,3 | 12,0 | A | | | | | | | | | |
| 24BS-3-152-P45/C45 | 38,10 | 25,40 | 45,00 | 25,40 | 45,00 | 14,63 | 96,72 | 152,0 | 33,0 | 6,0/4,8 | 290,0/65903 | 330,60 | 22,45 | 26,5 | A | | | | | | | | | |

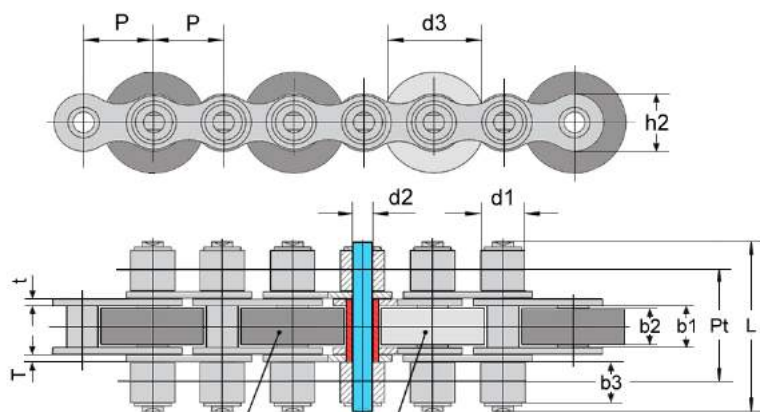
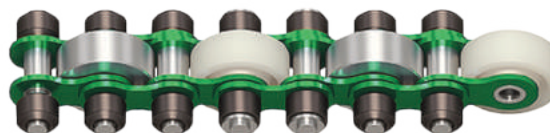
Note: P = Plastic conveyor roller. Temperature range: -30 to +100°C for steel conveyor rollers.
C = Steel conveyor roller. Temperature range: -10 to +60°C for plastic conveyor rollers.

Accumulation roller chains



SPECIAL REMARKS:

- With idler rollers on both sides that serves for 2 purposes: Firstly, this idler rollers engage with the sprocket teeth to transmit power, secondly, they support the chain in the profile.



Steel conveyor roller Plastic conveyor roller



Special made to order sprockets or plate wheels

| Chain ref. | Pitch | Roller diameter | | Width between inner plates | Accumul. roller width | Outer roller width | Pin diameter | Transverse pitch | Pin length | Inner plate height | Plate thickness | Tensile strength | Average tensile strength | Weight per meter | | |
|------------------|-------|-----------------|--------|----------------------------|-----------------------|--------------------|--------------|------------------|------------|--------------------|-----------------|------------------|--------------------------|---------------------|----------------|----------------|
| | | P | d1 max | d3 max | b1 min | b2 max | b3 max | d2 max | Pt | L max | h2 max | t/T max | F _B min | F _{SA} min | q _P | q _C |
| | | mm | mm | mm | mm | mm | mm | mm | mm | mm | mm | mm | kN/LB | kN | kg/m | kg/m |
| 08BS-27-P16/C16 | 12,70 | 8,51 | 16,00 | 7,75 | 7,2 | 4,3 | 4,45 | 19,00 | 27,0 | 11,8 | 1,60/1,50 | 18,0/4091 | 19,80 | 0,9 | 1,1 | |
| 12BS-40-P24/C24 | 19,05 | 12,07 | 24,00 | 11,68 | 11,0 | 7,5 | 5,72 | 26,50 | 40,0 | 16,0 | 1,85 | 29,0/6591 | 31,70 | 1,9 | 2,6 | |
| 12BS-40-P26/C26 | 19,05 | 12,07 | 26,00 | 11,68 | 11,0 | 7,5 | 5,72 | 26,50 | 40,0 | 16,0 | 1,85 | 29,0/6591 | 31,70 | 2,2 | 2,8 | |
| 12BS-40-P28/C28 | 19,05 | 12,07 | 28,00 | 11,68 | 11,0 | 7,5 | 5,72 | 26,50 | 40,0 | 16,0 | 1,85 | 29,0/6591 | 31,70 | 2,3 | 3,0 | |
| 12BS-43-P24/C24 | 19,05 | 12,07 | 24,00 | 11,68 | 11,0 | 8,8 | 5,72 | 28,50 | 43,0 | 16,0 | 1,85 | 29,0/6591 | 31,70 | 1,9 | 2,8 | |
| 12BS-43-P26/C26 | 19,05 | 12,07 | 26,00 | 11,68 | 11,0 | 8,8 | 5,72 | 28,50 | 43,0 | 16,0 | 1,85 | 29,0/6591 | 31,70 | 2,0 | 2,9 | |
| 12BS-43-P28/C28 | 19,05 | 12,07 | 28,00 | 11,68 | 11,0 | 8,8 | 5,72 | 28,50 | 43,0 | 16,0 | 1,85 | 29,0/6591 | 31,70 | 2,4 | 3,2 | |
| 12BS-48-P24/C24 | 19,05 | 12,07 | 24,00 | 11,68 | 11,0 | 11,1 | 5,72 | 31,50 | 48,0 | 16,0 | 1,85 | 29,0/6591 | 31,70 | 2,1 | 2,7 | |
| 12BS-48-P26/C26 | 19,05 | 12,07 | 26,00 | 11,68 | 11,0 | 11,1 | 5,72 | 31,50 | 48,0 | 16,0 | 1,85 | 29,0/6591 | 31,70 | 2,2 | 2,9 | |
| 12BS-48-P28/C28 | 19,05 | 12,07 | 28,00 | 11,68 | 11,0 | 11,1 | 5,72 | 31,50 | 48,0 | 16,0 | 1,85 | 29,0/6591 | 31,70 | 2,3 | 3,5 | |
| 12BS-56-P28/C28 | 19,05 | 12,07 | 28,00 | 11,68 | 11,0 | 11,1 | 5,72 | 37,50 | 58,0 | 16,0 | 1,85 | 29,0/6591 | 31,70 | 2,5 | 3,7 | |
| 16BS-65-P38/C38 | 25,40 | 15,88 | 38,00 | 17,02 | 16,8 | 12,5 | 8,28 | 44,90 | 65,0 | 21,0 | 4,15/3,1 | 60,0/13636 | 72,80 | 6,2 | 4,7 | |
| 100SF-85-P45/C45 | 31,75 | 19,05 | 45,00 | 25,50 | 25,0 | 17,5 | 9,53 | 59,00 | 85,0 | 30,0 | 4,00 | 86,7/19490 | 104,00 | - | - | |
| 212BS-43-P48/C48 | 38,10 | 12,07 | 48,00 | 11,68 | 11,0 | 8,8 | 5,72 | 28,50 | 43,0 | 16,0 | 1,85 | 28,9/6568 | 31,70 | - | - | |

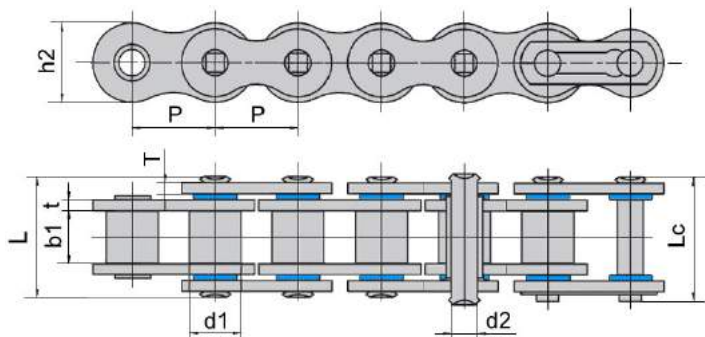
Note: P = Plastic conveyor roller, C = Steel conveyor roller.
 Temperature range: -30 to +100°C for steel conveyor rollers.
 -10 to +60°C for plastic conveyor rollers.

Example of other accumulated type



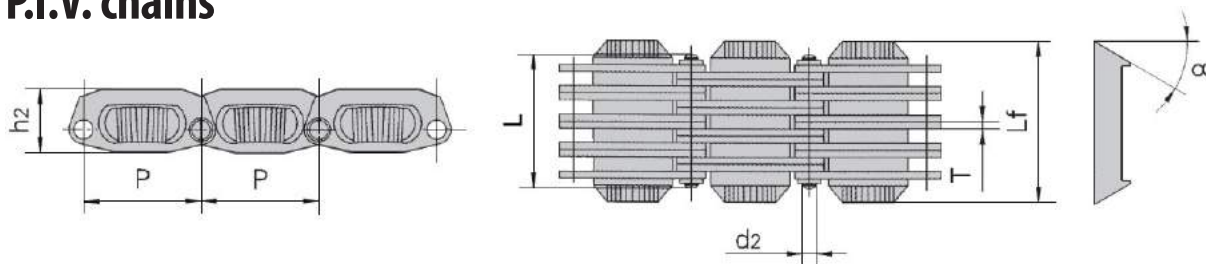


O-Ring chains



| DIN / ANSI ref. | Pitch | Roller diameter | Width between inner plates | Pin diameter | Pin length | | Inner plate height | Plate thickness | Ultimate tensile strength | Average tensile strength | Weight per meter |
|-----------------|--------|-----------------|----------------------------|--------------|------------|--------|--------------------|-----------------|---------------------------|--------------------------|------------------|
| | | | | | L max | Lc max | | | | | |
| | | | | | P | d1 max | | | | | |
| mm | mm | mm | mm | mm | mm | mm | mm | kN/LB | kN | kg/m | |
| 08B OR | 12,70 | 8,51 | 7,75 | 4,45 | 18,8 | 19,9 | 11,80 | 1,60 | 18,0/4091 | 19,4 | 0,74 |
| 10B OR | 15,875 | 10,16 | 9,65 | 5,08 | 21,4 | 22,2 | 11,70 | 1,60 | 20,7/4704 | 24,7 | 0,95 |
| 12B OR | 19,05 | 12,07 | 11,68 | 5,72 | 25,4 | 26,4 | 16,10 | 1,80 | 30,4/6910 | 39,5 | 1,25 |
| 16B OR | 25,40 | 15,88 | 17,02 | 8,28 | 39,3 | 40,4 | 20,80 | 3,2/4,0 | 60,0/13635 | 70,8 | 3,61 |
| 20B OR | 31,75 | 19,05 | 19,56 | 10,19 | 44,4 | 48,5 | 26,40 | 4,5/3,5 | 95,0/21356 | 106,7 | 4,04 |
| 24B OR | 38,10 | 25,40 | 25,40 | 14,63 | 57,4 | 61,8 | 33,20 | 6,0/4,8 | 160,0/36364 | 178,0 | 7,30 |
| 40 OR | 12,70 | 7,95 | 7,85 | 3,96 | 18,3 | 19,6 | 12,00 | 1,50 | 14,1/3205 | 17,5 | 0,67 |
| 50 OR | 15,875 | 10,16 | 9,40 | 5,08 | 23,1 | 24,8 | 15,09 | 2,03 | 22,2/5045 | 29,4 | 1,19 |
| 60 OR | 19,05 | 11,91 | 12,57 | 5,94 | 28,5 | 30,4 | 18,00 | 2,42 | 31,8/7227 | 41,5 | 1,62 |
| 60H OR | 19,05 | 11,91 | 12,57 | 5,94 | 31,7 | 33,2 | 18,00 | 3,25 | 55,0/12500 | 58,0 | 1,96 |
| 80 OR | 25,40 | 15,88 | 15,75 | 7,92 | 35,7 | 37,3 | 24,00 | 3,25 | 56,7/12886 | 69,4 | 2,70 |
| 100 OR | 31,75 | 19,05 | 18,95 | 9,53 | 43,3 | 47,0 | 30,00 | 4,00 | 88,5/20114 | 109,2 | 3,91 |
| 120 OR | 38,10 | 22,23 | 25,22 | 11,11 | 54,0 | 57,5 | 35,70 | 4,80 | 127,0/28864 | 156,3 | 6,34 |

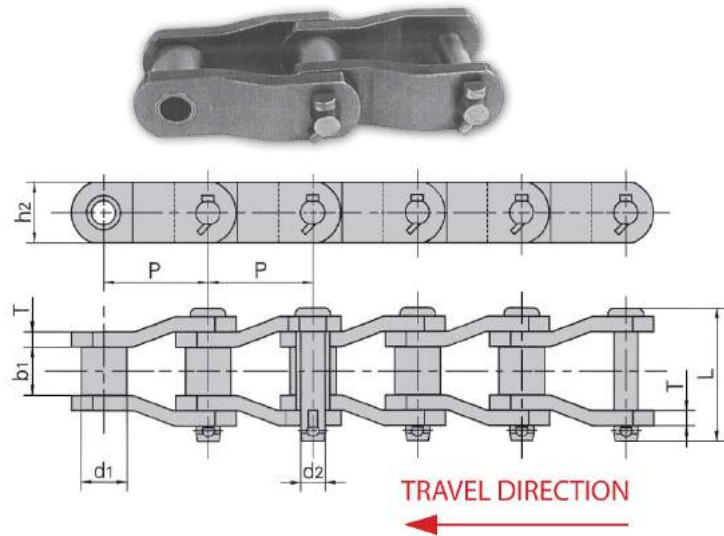
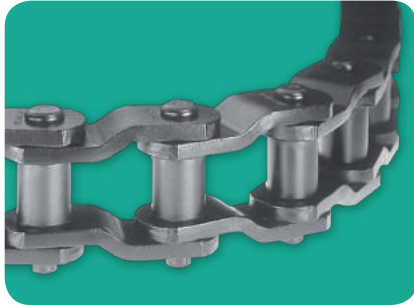
P.I.V. chains



| Chain no. | Pitch | Pin diameter | Pin length | Plate height | Plate thickness | Width over friction plate | Angle of friction plate | Ultimate tensile strength | Average tensile strength | Weight per meter | | | | | | | | | | |
|-----------|-------|--------------|------------|--------------|-----------------|---------------------------|-------------------------|---------------------------|--------------------------|------------------|-------|--------|-------|--------|-------|----|----------|-------|----|------|
| | | | | | | | | | | | L max | h2 max | T max | Lf | Q' | Qo | q | | | |
| | | | | | | | | | | | P | d2 max | L max | h2 max | T max | Lf | α | kN/LB | kN | kg/m |
| mm | mm | mm | mm | mm | mm | mm | mm | mm | mm | mm | mm | mm | mm | mm | mm | mm | mm | mm | mm | mm |
| AO | 18,75 | 3,00 | 19,50 | 9,50 | 1,00 | 24,00 | 15° | 9,0/2045 | 9,90 | 1,00 | | | | | | | | | | |
| A1(A2) | 25,00 | 3,00 | 30,10 | 13,50 | 1,50 | 37,80 | 15° | 21,0/4772 | 23,30 | 2,23 | | | | | | | | | | |
| A3 | 28,60 | 3,00 | 35,30 | 16,00 | 1,50 | 44,20 | 15° | 38,5/8750 | 42,70 | 3,04 | | | | | | | | | | |
| A4 | 36,00 | 4,00 | 48,50 | 20,50 | 1,50 | 58,50 | 15° | 61,5/13977 | 68,20 | 5,54 | | | | | | | | | | |
| A5 | 36,00 | 4,00 | 60,50 | 20,50 | 1,50 | 70,00 | 15° | 71,0/16136 | 78,80 | 6,70 | | | | | | | | | | |

Heavy duty cranked-link transmission chains

Rotary



| Chain ref. | Pitch | Roller diameter | Width between inner plates | Pin diameter | Pin length | Inner plate height | Plate thickness | Ultimate tensile strength | Average tensile strength | Weight per meter |
|-----------------------------|--------|-----------------|----------------------------|--------------|------------|--------------------|-----------------|---------------------------|--------------------------|------------------|
| | P | d_1 max | b_1 min | d_2 max | L max | h_2 max | T | F_B min | F_{BA} min | q |
| | mm | mm | mm | mm | mm | mm | mm | kN/LB | kN | kg/m |
| RO 20H - ROA3160SC* | 50,80 | 28,58 | 31,75 | 15,06 | 79,4 | 41,50 | 8,0 | 230,0/52256 | 250,0 | 10,90 |
| 2010 | 63,50 | 31,75 | 38,10 | 15,90 | 89,0 | 47,8 | 7,9 | 250,0/56818 | 270,0 | 13,53 |
| MXS882 | 66,27 | 22,23 | 28,58 | 11,10 | 68,5 | 58,5 | 6,4 | 115,6/26272 | 124,8 | 5,30 |
| SS588 | 66,27 | 22,23 | 28,60 | 11,11 | 63,7 | 28,6 | 6,4 | 130,0/29545 | 144,0 | 5,46 |
| AX1568 | 77,90 | 41,40 | 39,60 | 19,05 | 100,0 | 57,0 | 9,7 | 340,0/77272 | 367,2 | 18,40 |
| RO 3B - ROA2512 | 77,90 | 41,40 | 38,50 | 19,05 | 103,4 | 60,0 | 10,0 | 482,0/110000 | 420,0 | 20,28 |
| RO 3 - ROA1035 | 78,10 | 31,75 | 38,10 | 16,00 | 94,8 | 40,0 | 8,0 | 271,0/61590 | 292,6 | 10,72 |
| RO 3C | 78,10 | 31,75 | 38,10 | 16,50 | 95,3 | 45,0 | 9,5 | 280,4/63727 | 302,8 | 12,70 |
| RO 3H - MXS3075 | 78,10 | 31,75 | 38,10 | 16,46 | 93,5 | 44,5 | 9,7 | 334,0/75909 | 360,7 | 13,45 |
| 1037 - ROA40HYP | 78,10 | 31,75 | 38,10 | 15,88 | 97,0 | 41,5 | 9,5 | 250,0/56818 | 280,0 | 12,60 |
| RO 3 1/2 - ROA2814 | 88,90 | 44,45 | 38,10 | 22,23 | 117,6 | 58,0 | 12,7 | 471,0/105955 | 507,6 | 25,70 |
| RO 3 1/2X - ROA2814X | 88,90 | 44,45 | 36,60 | 22,23 | 117,6 | 60,0 | 13,5 | 660,0/149998 | 710,8 | 26,50 |
| ROA1664A | 101,60 | 57,15 | 55,63 | 30,23 | 140,2 | 82,5 | 14,2 | 667,0/147000 | 715,2 | 43,80 |
| RO 4 - ROA1244 | 103,20 | 44,45 | 48,00 | 22,00 | 123,5 | 55,0 | 13,0 | 476,0/108180 | 514,0 | 23,60 |
| RO 4H - ROA1244H | 103,20 | 44,45 | 49,20 | 23,90 | 129,0 | 60,0 | 14,0 | 666,4/151450 | 700,0 | 26,70 |
| RO 4B - ROA3315 | 103,45 | 45,24 | 49,30 | 23,85 | 130,0 | 63,5 | 14,2 | 550,0/125000 | 594,0 | 27,71 |
| RO 4BX - ROA3315X | 103,45 | 45,24 | 49,30 | 23,85 | 130,0 | 63,5 | 14,2 | 580,0/131800 | 615,0 | 27,90 |
| RO 4 1/2 - ROA3618 | 114,30 | 57,15 | 52,30 | 27,97 | 138,0 | 79,2 | 14,2 | 760,0/172727 | 820,8 | 41,20 |
| RO 4 1/2H - SS635HF1 | 114,30 | 57,20 | 52,40 | 27,94 | 150,0 | 76,2 | 17,5 | 964,0/219085 | 1060,0 | 47,90 |
| RO 5B - ROA4020 | 127,00 | 63,50 | 69,90 | 31,78 | 165,7 | 88,9 | 15,7 | 987,0/224300 | 1069,2 | 48,60 |
| RO 5BH - ROA5035 | 127,00 | 63,50 | 65,00 | 34,90 | 168,0 | 88,9 | 19,0 | 1250,0/284065 | 1220,0 | 53,45 |
| RO 6 - ROA4824 | 152,40 | 76,20 | 76,20 | 38,10 | 182,3 | 102,0 | 19,0 | 1645,0/373860 | 1755,0 | 67,10 |
| RO 6 1/2 - ROA6555 | 165,10 | 88,90 | 81,00 | 44,45 | 202,4 | 127,0 | 22,35 | 1650,5/375000 | 1765,0 | 116,20 |
| RO 7 - ROA5628 | 177,80 | 88,90 | 81,00 | 44,45 | 202,4 | 127,0 | 22,35 | 1694,5/385000 | 1810,0 | 98,40 |


* Also available in DACROMET version with chromed pins.
Execution of round riveted pins on both sides on request.

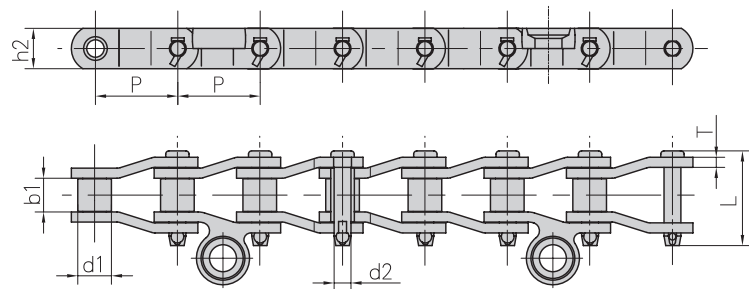
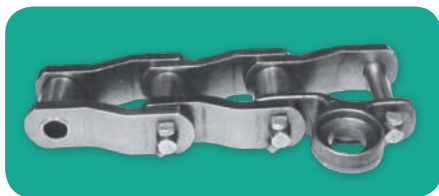



Heavy duty cranked-link transmission chains

Rotary

ROLLER CHAINS

| Chain no. | Pitch | Roller diameter | Width between inner plates | Pin diameter | Pin length | Plate height | Plate thickness | Ultimate tensile strength | Average tensile strength | Weight per meter |
|---|-------|-----------------|----------------------------|--------------|------------|--------------|-----------------|---------------------------|--------------------------|------------------|
|  | p | $d1_{max}$ | $b1_{min}$ | $d2_{max}$ | L_{max} | $h2$ | T | $F_{B_{min}}$ | F_{BA} | q |
| | mm | mm | mm | mm | mm | mm | mm | kN/LB | kN | kg/m |
| 2010H | 63,5 | 12,0 | 31,8 | 15,88 | 97,0 | 41,5 | 9,5 | 250/56815 | 275,0 | 11,91 |
| SS2065 | 50,8 | 28,6 | 32,5 | 15,05 | 79,5 | 38,0 | 7,9 | 220/49998 | 242,0 | 12,14 |
| 4020SH | 127,0 | 63,5 | 69,9 | 31,78 | 165,7 | 88,9 | 15,7 | 1332.8/302893 | 1246,0 | 48,60 |
| 2814F1 | 88,9 | 44,5 | 36,9 | 22,23 | 117,6 | 60,0 | 13,5 | 556/126358 | 611,0 | 24,20 |
| 2814F2 | 88,9 | 44,5 | 38,6 | 22,23 | 119,6 | 58,0 | 12,7 | 559/127040 | 614,9 | 25,40 |
| SH1245 | 103,5 | 45,3 | 49,6 | 23,80 | 130,0 | 60,0 | 14,5 | 722/164084 | 794,0 | 31,00 |
| P153 | 153,6 | 34,9 | 54,0 | 17,48 | 107,0 | 44,5 | 9,5 | 150/34090 | 165,0 | 10,90 |
| P153F2 | 153,6 | 34,9 | 54,0 | 17,48 | 100,0 | 44,5 | 8,0 | 150/34090 | 165,0 | 9,80 |
| 2510F1 | 78,1 | 31,8 | 36,6 | 16,00 | 88,9 | 38,1 | 8,0 | 124.5/28295 | 137,0 | 9,93 |
| RO6042F1 | 152,4 | 76,2 | 76,3 | 44,00 | 184,0 | 120,0 | 19,0 | 1500/340900 | 1600,0 | 63,60 |
| SS568HF1205 | 77,9 | 31,8 | 39,7 | 19,05 | 98,5 | 57,0 | 9,5 | 447/101588 | 491,0 | 16,90 |
| RO1205 | 127,0 | 63,5 | 65,0 | 31,75 | 147,6 | 82,5 | 14,2 | 872/198177 | 955,0 | 42,93 |
| 2510F2 | 78,1 | 31,8 | 36,6 | 15,75 | 88,0 | 38,1 | 8,0 | 225/51135 | 248,0 | 11,70 |
| MX603 | 76,2 | *22,5 | 38,0 | 14,00 | 88,0 | 40,0 | 8,0 | 147/33408 | 161,0 | 9,20 |
| R3112 | 50,8 | 28,7 | 31,0 | 14,20 | 73,9 | 41,4 | 6,4 | 168.9/38385 | 185,0 | 10,70 |
| MXS3075F1 | 78,1 | 33,0 | 38,1 | 16,46 | 94,5 | 44,5 | 9,7 | 334/75907 | 365,8 | 14,00 |
| MXS3075F2 | 78,1 | 31,8 | 38,1 | 17,81 | 90,0 | 45,0 | 8,0 | 333.2/75726 | 365,8 | 12,20 |

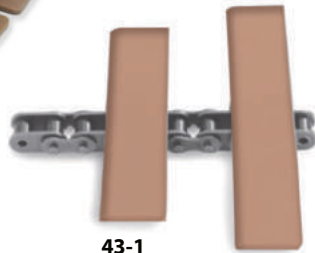


| Chain no. | Pitch | Roller diameter | Width between inner plates | Pin diameter | Pin length | Plate height | Plate thickness | Ultimate tensile strength | Average tensile strength |
|---|--------|-----------------|----------------------------|--------------|------------|--------------|-----------------|---------------------------|--------------------------|
|  | p | $d1_{max}$ | $b1_{min}$ | $d2_{max}$ | L_{max} | $h2$ | T | $F_{B_{min}}$ | F_{BA} |
| | mm | mm | mm | mm | mm | mm | mm | kN/LB | kN |
| SS405L | 78,105 | 31,78 | 31,75 | 15,90 | 89,15 | 38,0 | 9,5 | 250,0/56818 | 266,88 |



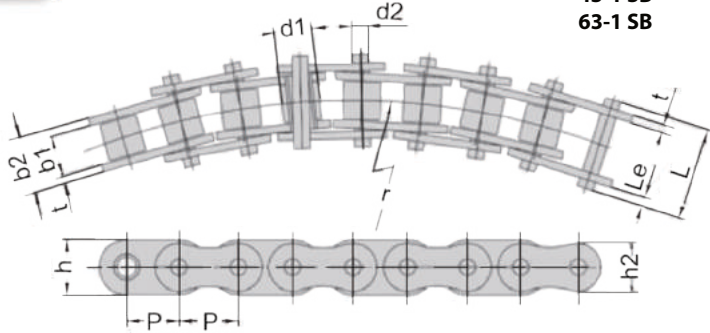
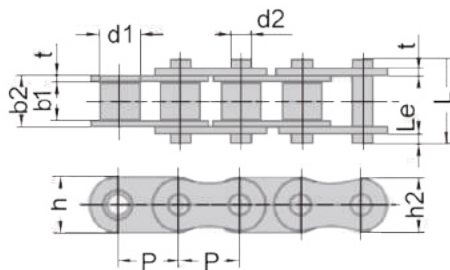
Snap-on chains

- **SN Snap-on** roller chains are designed to take plastic top slats and to operate as a conveyor chain on straight conveyors or in curve. Standard ANSI sprockets can be used.



43-1
63-1

43-1 SB
63-1 SB



| ANSI ref. | Pitch | Roller diameter | Width between inner plates | Width inner link | Pin diameter | Pin length | | Inner plate height | Outer plate height | Plate thickness | Radius | Ultimate tensile strength | Weight per meter |
|-----------|-------|-----------------|----------------------------|------------------|--------------|------------|--------|--------------------|--------------------|-----------------|--------|---------------------------|------------------|
| | P | d1 max | b1 min | b2 max | d2 max | L max | Le max | h max | h2 max | t/T max | r | F _s min | q |
| | mm | mm | mm | mm | mm | mm | mm | mm | mm | mm | mm | kN/LB | kg/m |

Straight chain

| | | | | | | | | | | | | | |
|------------|-------|-------|-------|-------|------|-------|-----|------|------|-----|---|-----------|------|
| 43 | 12,70 | 7,94 | 7,95 | 11,17 | 3,96 | 17,92 | 1,8 | 12,1 | 10,4 | 1,5 | - | 17,6/4000 | 0,65 |
| 43NP | 12,70 | 7,94 | 7,95 | 11,17 | 3,96 | 17,92 | 1,8 | 12,1 | 10,4 | 1,5 | - | 17,6/4000 | 0,65 |
| 43SS (304) | 12,70 | 7,94 | 7,95 | 11,17 | 3,96 | 17,92 | 1,8 | 12,1 | 10,4 | 1,5 | - | 14,1/3200 | 0,65 |
| 63 | 19,05 | 11,91 | 12,70 | 17,75 | 5,95 | 28,26 | 2,8 | 18,1 | 15,6 | 2,4 | - | 42,0/9540 | 1,52 |
| 63NP | 19,05 | 11,91 | 12,70 | 17,75 | 5,95 | 28,26 | 2,8 | 18,1 | 15,6 | 2,4 | - | 42,0/9540 | 1,52 |
| 63SS (304) | 19,05 | 11,91 | 12,70 | 17,75 | 5,95 | 28,26 | 2,8 | 18,1 | 15,6 | 2,4 | - | 26,0/9540 | 1,52 |

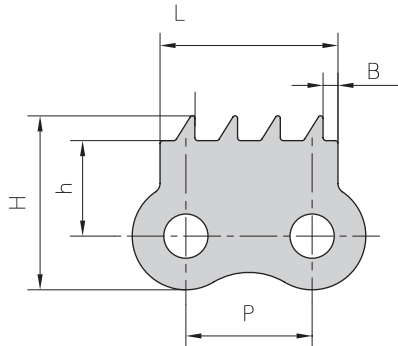
Side bow chain

| | | | | | | | | | | | | | |
|---------------|-------|-------|-------|-------|------|-------|-----|------|------|-----|-----|-----------|------|
| 43SB | 12,70 | 7,94 | 7,95 | 11,17 | 3,45 | 18,52 | 2,0 | 12,1 | 10,4 | 1,5 | 305 | 12,3/2795 | 0,60 |
| 43SB NP | 12,70 | 7,94 | 7,95 | 11,17 | 3,45 | 18,52 | 2,0 | 12,1 | 10,4 | 1,5 | 305 | 12,3/2795 | 0,60 |
| 43SB SS (304) | 12,70 | 7,94 | 7,95 | 11,17 | 3,45 | 18,52 | 2,0 | 12,1 | 10,4 | 1,5 | 305 | 10,3/2340 | 0,60 |
| 63SB | 19,05 | 11,91 | 12,70 | 17,75 | 5,08 | 29,04 | 3,2 | 18,1 | 15,6 | 2,4 | 305 | 25,5/5790 | 1,40 |
| 63SB NP | 19,05 | 11,91 | 12,70 | 17,75 | 5,08 | 29,04 | 3,2 | 18,1 | 15,6 | 2,4 | 305 | 25,5/5790 | 1,40 |
| 63SB SS (304) | 19,05 | 11,91 | 12,70 | 17,75 | 5,08 | 29,04 | 3,2 | 18,1 | 15,6 | 2,4 | 305 | 21,6/4905 | 1,40 |

NP = Nickel Plated
SS = Stainless Steel 304
SB = Side Bow

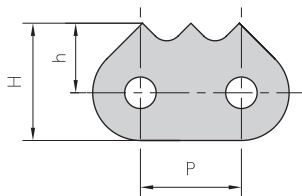


Sharp top chains - DIN 8187 / 8188 ISO 606 - European / ANSI - American standard

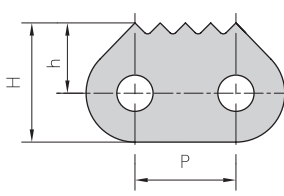


| Chain ref. | P | h | H | B | L |
|------------|------|-----|------|-----|------|
| | mm | mm | mm | mm | mm |
| 08B-940 | 12,7 | 9,6 | 17,5 | 1,5 | 17,9 |

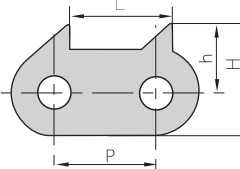
C16AF1



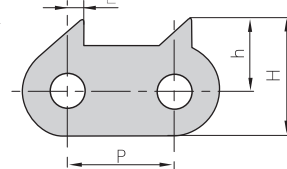
C12B-1324 C16AF2



C12B-9010 C12B-940
C60B-1-940



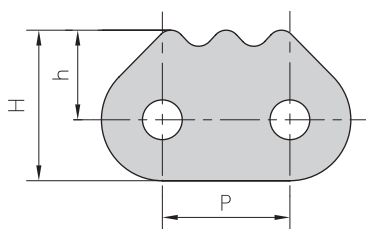
C16B-1160 C16B-1161



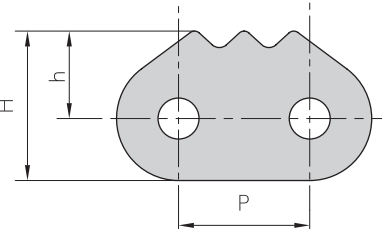
| Chain ref. | P | h | H |
|------------|-------|------|------|
| | mm | mm | mm |
| C12B-1324 | 19,05 | 13,0 | 22,0 |
| C16AF1 | 25,40 | 17,5 | 19,5 |
| C16AF2 | 25,40 | 17,5 | 29,5 |

| Chain ref. | P | h | H | L |
|------------|-------|------|------|-------|
| | mm | mm | mm | mm |
| C12B-9010 | 19,05 | 13,0 | 21,0 | 19,05 |
| C12B-940 | 19,05 | 13,2 | 22,3 | 19,75 |
| C60B-1-940 | 19,05 | 12,5 | 21,6 | 19,05 |
| C16B-1160 | 25,40 | 10,5 | 27,5 | 4,80 |
| C16B-1161 | 25,40 | 10,5 | 27,5 | 6,00 |

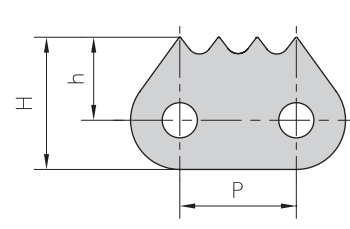
C60F2



C12B-910 C60-910



C12B-1170 (12BF3) C16A-1170

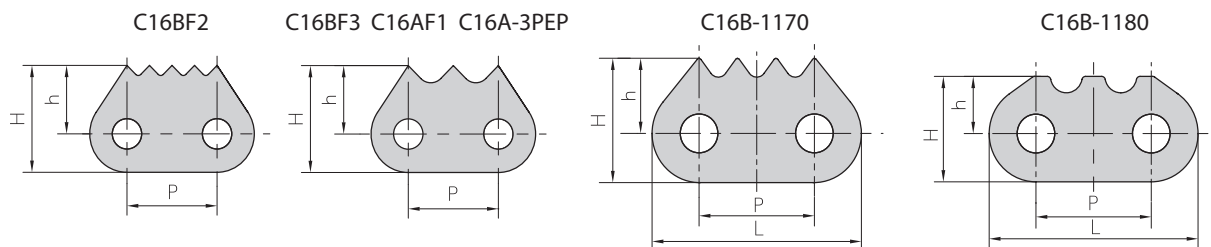


C60-910

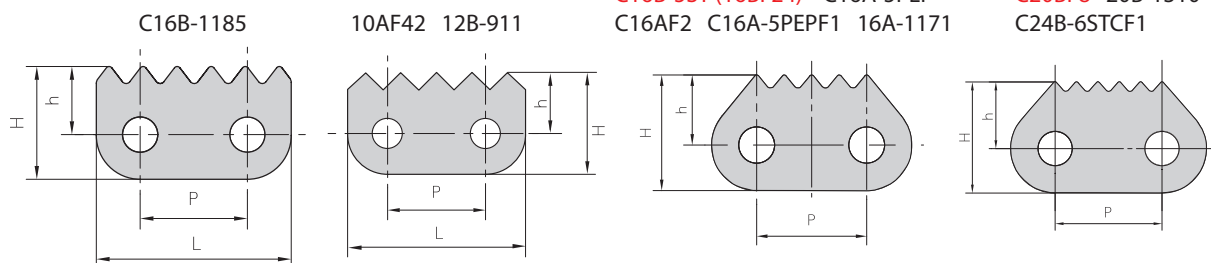
| Chain ref. | P | h | H |
|------------|-------|-------|-------|
| | mm | mm | mm |
| C60F2 | 19,05 | 13,38 | 22,48 |
| C12B-910 | 19,05 | 13,70 | 21,70 |
| C60-910 | 19,05 | 12,70 | 21,70 |
| C12B-1170 | 19,05 | 13,50 | 21,50 |
| C16A-1170 | 25,40 | 16,50 | 28,00 |



Sharp top chains - DIN 8187 / 8188 ISO 606 - European / ANSI - American standard



| Chain ref. | P | L | h | H |
|------------|------|------|------|------|
| | mm | mm | mm | mm |
| C16BF2 | 25,4 | | 18,7 | 29,2 |
| C16BF3 | 25,4 | | 18,7 | 29,2 |
| C16AF1 | 25,4 | | 17,5 | 29,5 |
| C16A-3PEP | | | 17,4 | 29,0 |
| C16B-1170 | 25,4 | 46,1 | 16,0 | 26,5 |
| C16B-1180 | 25,4 | 46,0 | 12,2 | 22,5 |

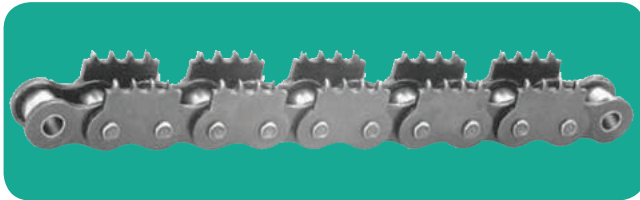


C16B-5ST (16BF24) C16A-5PEP C20BF8 20B-1310
C16AF2 C16A-5PEPF1 16A-1171 C24B-6STCF1

| Chain ref. | P | L | h | H |
|-------------------|--------|------|------|------|
| | mm | mm | mm | mm |
| 10AF42 | 15,875 | 30,9 | 11,5 | 19,0 |
| 12B-911 | 19,05 | 35,0 | 11,9 | 20,0 |
| C16B-5ST (16BF24) | 25,40 | 46,0 | 16,0 | 26,5 |
| C16B-1185 | 25,40 | 46,0 | 16,0 | 26,5 |
| C16AF2 | 25,40 | | 17,5 | 29,5 |
| C16A-5PEP | 25,40 | | 17,4 | 29,0 |
| C16A-5PEPF1 | 25,40 | | 17,3 | 29,5 |
| 16A-1171 | 25,40 | | 16,0 | 26,4 |
| C20BF8 | 31,75 | | 19,8 | 33,0 |
| 20B-1310 | 31,75 | | 19,8 | 33,0 |
| C24B-6STCF1 | 38,10 | | 23,5 | 40,0 |



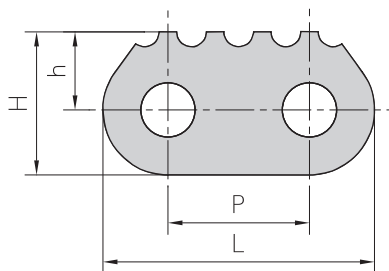
Sharp top chains - DIN 8187 / 8188 ISO 606 - European / ANSI - American standard



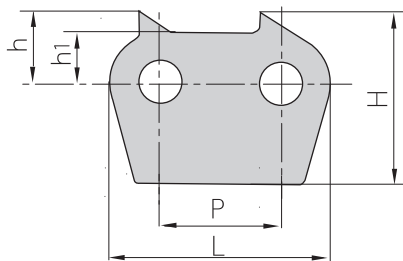
20B-1350



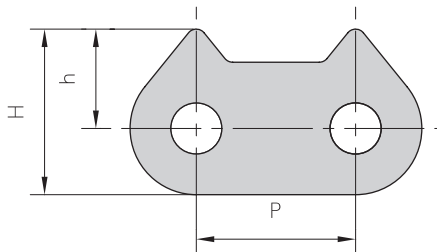
32B-1872



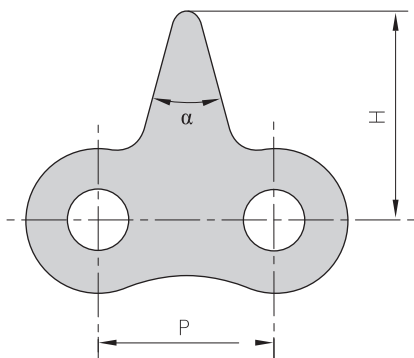
| Chain ref. | P | L | h | H |
|------------|------|------|------|------|
| | mm | mm | mm | mm |
| C24B-1809 | 38,1 | 73,1 | 21,0 | 38,5 |
| C24B-1810 | 38,1 | | 19,0 | 35,5 |
| 120F6 | 38,1 | | 21,0 | 38,5 |



| Chain ref. | P | L | h1 | h | H |
|-------------|------|------|------|------|------|
| | mm | mm | mm | mm | mm |
| 32B-1872 | 50,8 | 92,8 | 21,0 | 30,0 | 73,0 |
| 32B-1900F1 | 50,8 | 92,8 | 21,0 | 30,0 | 75,0 |
| 32BF15 | 50,8 | 91,8 | 20,0 | 45,0 | 75,0 |
| C32B-1874F1 | 50,8 | 92,8 | 21,0 | 40,0 | 83,0 |



| Chain ref. | P | L | H |
|------------|-------|------|------|
| | mm | mm | mm |
| C20B-1350 | 31,75 | 19,8 | 33,0 |

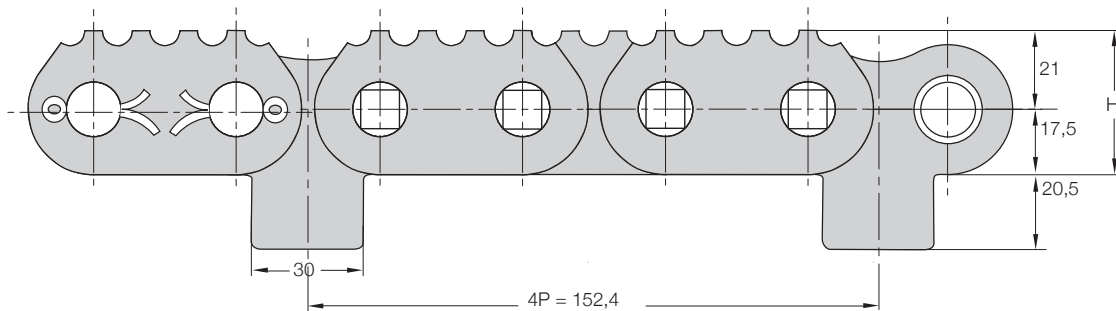


| Chain ref. | P | h | α |
|------------|--------|-------|----------|
| | mm | mm | mm |
| 06BF39 | 9,525 | 11,00 | 30° |
| 08AF10 | 12,700 | 15,60 | 30° |
| 08BF30 | 12,700 | 14,50 | 30° |
| 08BF38 | 12,700 | 14,60 | 40° |
| 120F6 | 12,700 | 21,0 | 30° |
| 08BF5 | 12,700 | 14,00 | 50° |
| 08BF56 | 12,700 | 14,40 | 30° |
| 08BF86 | 12,700 | 15,00 | 50° |
| 08BSSF11 | 12,700 | 14,60 | 40° |
| 10AF7 | 15,875 | 15,88 | 21° |
| 10BF40 | 15,875 | 17,40 | 25° |
| 12B-1STCF1 | 19,050 | 19,00 | 30° |
| 16AF44 | 25,400 | 31,80 | 50° |
| 20A-1STCF1 | 31,750 | 53,00 | 82,1° |



Sharp top chains - DIN 8187 / 8188 ISO 606 - European / ANSI - American standard

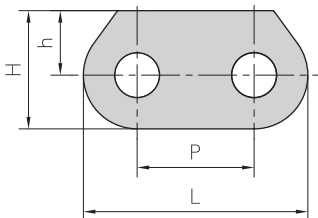
C24B-1809-1



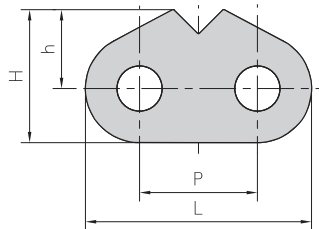
C24B-1811-1

| Chain ref. | P | L | h | H |
|-------------|-------|------|------|------|
| | mm | mm | mm | mm |
| C24B-1809-1 | 38,10 | 73,1 | 21,0 | 38,5 |
| C24B-1811-1 | 38,10 | 73,1 | 21,0 | 38,5 |

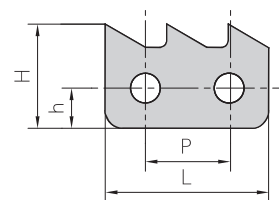
C24B-1805



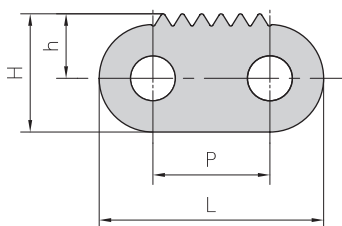
C24B-1807



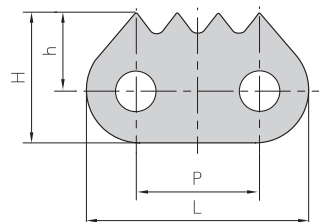
20AF1



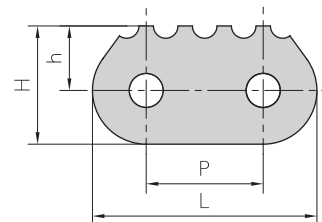
C24B-1820



C24B-4STC



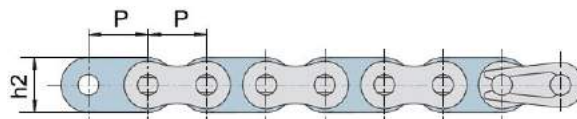
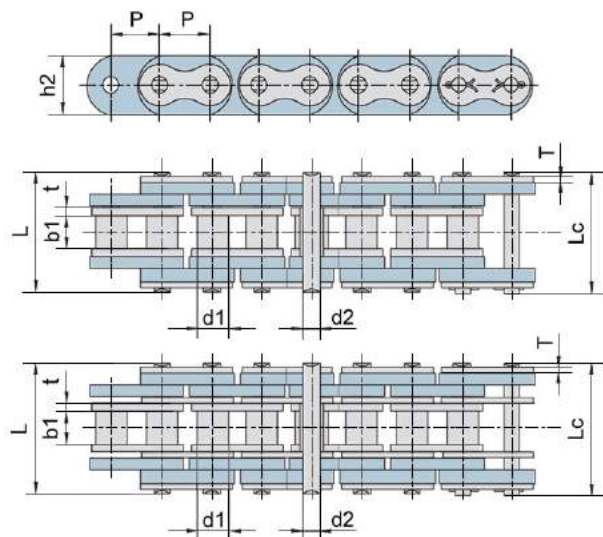
120-1802



C24B-1807

| Chain ref. | P | L | h | H |
|------------|-------|------|-------|-------|
| | mm | mm | mm | mm |
| C24B-1805 | 38,10 | 73,1 | 21,00 | 38,50 |
| C24B-1807 | 38,10 | 73,1 | 25,50 | 43,00 |
| 20AF1 | 31,75 | 57,2 | 14,75 | 35,84 |
| C24B-1820 | 38,10 | 73,1 | 21,00 | 38,50 |
| C24B-4STC | 38,10 | 70,4 | 18,30 | 35,00 |
| 120-1802 | 38,10 | 73,1 | 21,00 | 38,50 |

Plastic attachments roller chains DIN 8187 and 8188



16BF7

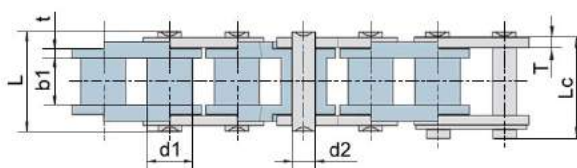
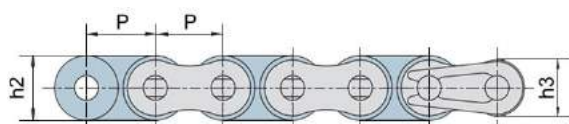


16BF9



16BF16

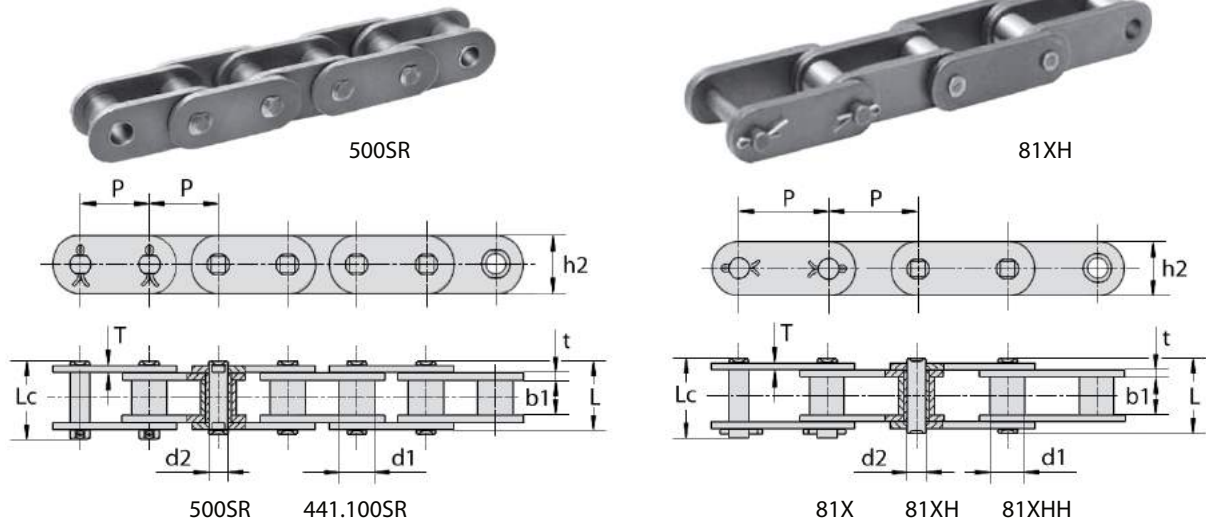
| Chain ref. | Pitch | Roller diameter | Width between inner plates | Pin diameter | Pin length | | Plate depth | | Plate thickness | Tensile strength |
|------------|-------|-----------------|----------------------------|--------------|------------|--------|-------------|--------|-----------------|------------------|
| | | | | | L max | Lc max | h2 max | h3 max | | |
| | | | | | mm | mm | mm | mm | | |
| 06BF9 | 9,525 | 6,35 | 5,72 | 3,28 | 28,5 | 30 | 10 | 8,2 | 1,30 | 4,7/1065 |
| 16BF7 | 25,40 | 15,88 | 17,02 | 8,28 | 49,0 | 52 | 30 | 21,0 | 4,2/3,1 | 40,0/9085 |
| 16BF9 | 25,40 | 15,88 | 17,02 | 8,28 | 62,0 | 65 | 30 | 21,0 | 4,2/3,1 | 27,0/6135 |
| 16BF16 | 25,40 | 15,88 | 17,02 | 8,28 | 68,0 | 71 | 30 | 21,0 | 4,2/3,1 | 60,0/13636 |
| 20BF29 | 31,75 | 19,05 | 19,56 | 10,19 | 73,0 | 77 | 45 | 21,0 | 4,5/3,5 | 95,0/21584 |



| Chain ref. | Pitch | Roller diameter | Width between inner plates | Pin diameter | Pin length | | Plate depth | | Plate thickness | Tensile strength |
|------------|--------|-----------------|----------------------------|--------------|------------|--------|-------------|--------|-----------------|------------------|
| | | | | | L max | Lc max | h2 max | h3 max | | |
| | | | | | mm | mm | mm | mm | | |
| 25CPSa | 6,35 | 3,30 | 3,10 | 2,31 | 7,9 | 8,40 | 6,0 | 5,06 | 0,80 | 0,6/136 |
| 35CPSa | 9,525 | 5,08 | 4,68 | 3,58 | 12,4 | 13,20 | 9,0 | 7,80 | 1,30 | 1,1/250 |
| 40CPSa | 12,70 | 7,92 | 7,85 | 3,96 | 16,6 | 17,80 | 12,0 | 10,40 | 1,50 | 2,5/568 |
| 50CPSa | 15,875 | 10,16 | 9,40 | 5,08 | 20,1 | 22,20 | 15,1 | 13,00 | 2,03 | 3,5/795 |
| 60CPSa | 19,05 | 11,91 | 12,57 | 5,94 | 25,9 | 27,70 | 18,0 | 15,60 | 2,42 | 4,5/1023 |
| 80CPSa | 25,40 | 15,88 | 15,75 | 7,92 | 32,7 | 35,00 | 24,0 | 20,50 | 3,25 | 7,5/1686 |
| 08BPSa | 12,70 | 8,51 | 7,75 | 4,45 | 16,7 | 18,20 | 11,8 | 10,60 | 1,60 | 2,5/568 |
| 10BPSa | 15,875 | 10,16 | 9,65 | 5,08 | 19,5 | 20,90 | 14,7 | 13,70 | 1,70 | 2,8/629 |
| 12BPSa | 19,05 | 12,07 | 11,68 | 5,72 | 22,5 | 24,20 | 16,0 | 15,00 | 1,85 | 4,2/1023 |
| 16BPSa | 25,40 | 15,88 | 17,02 | 8,28 | 36,1 | 37,40 | 21,0 | 21,00 | 4,15/3,10 | 7,5/1686 |

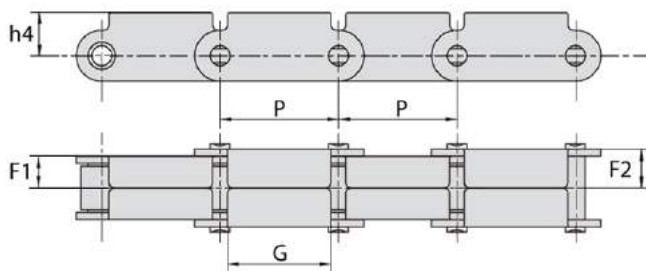


Lumber conveyor chains for wood industry



| Chain ref. | Pitch | Roller diameter | Width between inner plates | Pin diameter | Pin length | | Plate height | Plate thickness | Bearing surface | Tensile strength | Average tensile strength | Weight per meter |
|------------|--------|-----------------|----------------------------|--------------|------------|----------|--------------|-----------------|-----------------|------------------|--------------------------|------------------|
| | p | $d1$ max | $b1$ min | $d2$ max | L max | Lc max | $h2$ max | t/T max | f | $F_{B min}$ | $F_{BA min}$ | q |
| | mm | mm | mm | mm | mm | mm | mm | mm | cm ² | kN/LB | kN | kg/m |
| 42.47F1 | 42,47 | 22,20 | 27,00 | 11,10 | 49,0 | 53,5 | 28,60 | 4,00 | 5,30 | 97,0/21806 | 106,7 | 4,74 |
| 500S | 50,00 | 18,40 | 25,40 | 14,63 | 55,0 | 58,0 | 40,00 | 5,00 | 5,30 | 132,65/30145 | 160,0 | 6,30 |
| 500SR | 50,00 | 25,40 | 25,40 | 14,63 | 55,0 | 58,0 | 40,00 | 5,00 | 5,30 | 132,65/30145 | 160,0 | 7,20 |
| C1288 | 66,27 | 22,86 | 27,40 | 10,40 | 52,0 | 57,0 | 29,00 | 4,00 | 3,70 | 62,2/14136 | 75,0 | 3,80 |
| 81X | 66,27 | 23,00 | 27,00 | 11,10 | 49,0 | 53,5 | 28,50 | 4,00 | 3,90 | 106,7/24250 | 129,0 | 3,78 |
| 81XH | 66,27 | 23,00 | 27,80 | 11,10 | 60,7 | 65,1 | 31,35 | 8/5,55 | 4,90 | 151,9/34523 | 176,0 | 5,88 |
| 81XHE | 66,27 | 22,20 | 27,00 | 11,10 | 59,5 | 63,0 | 28,50 | 6,30 | 4,90 | 83,3/18927 | 89,1 | 5,10 |
| 81XHS | 66,27 | 23,00 | 27,00 | 11,10 | 63,6 | 68,0 | 31,80 | 7,60 | 4,90 | 152,0/34545 | 172,2 | 6,55 |
| 81XHH | 66,27 | 23,00 | 27,80 | 11,10 | 65,6 | 70,0 | 31,35 | 8,00 | 4,90 | 191,1/43432 | 213,0 | 6,70 |
| 100F271 | 100,00 | 25,40 | 25,40 | 14,63 | 54,0 | 58,0 | 40,00 | 5,00 | 6,30 | 100,0/22727 | 114,5 | 5,22 |
| 441.100S | 100,00 | 18,40 | 25,40 | 14,63 | 55,0 | 58,0 | 40,00 | 5,00 | 5,30 | 100,0/22727 | 114,5 | 4,50 |
| 441.100SR | 100,00 | 25,40 | 25,40 | 14,63 | 55,0 | 58,0 | 40,00 | 5,00 | 5,30 | 100,0/22727 | 114,5 | 4,90 |

Zinc plated on request.



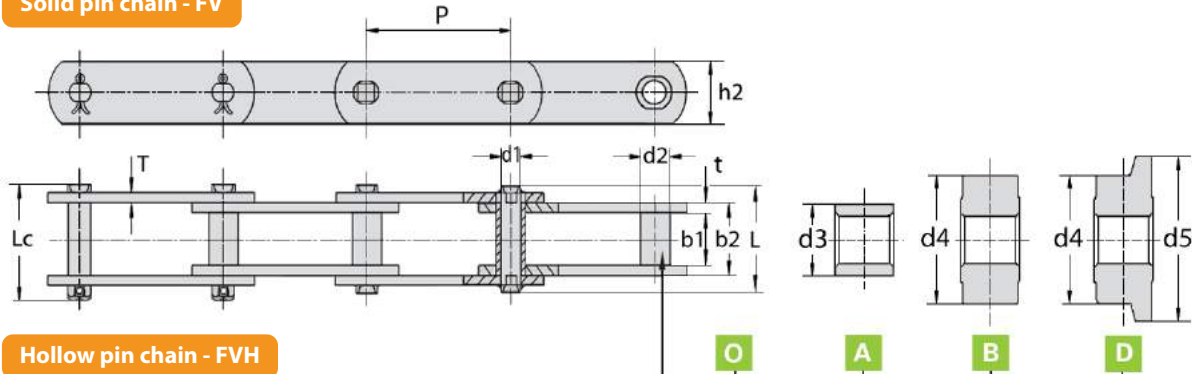
| Chain ref. | P | $F1$ | $F2$ | G | $h4$ |
|------------|-------|-------|-------|-------|-------|
| | mm | mm | mm | mm | mm |
| 81XF1 | 66,27 | 17,50 | 21,80 | 58,00 | 23,85 |

Conveyor chains - DIN 8165

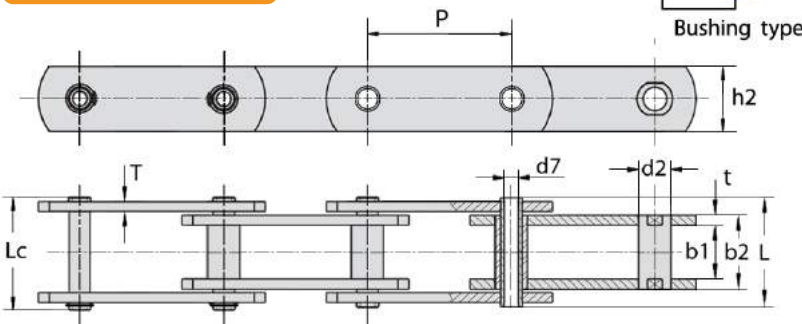
Type - FV / FVH



Solid pin chain - FV



Hollow pin chain - FVH



| DIN ref. | P | b1 | b2 | d1 | d2 | d3 | d4 | d4/d5 | d7 | T/t | L | L1 | Lc | h2 | f | FB | FBH |
|----------|-----|-----|------|----|----|----|----|---------|-----|-----|------|------|----|----|-----------------|--------|--------|
| | mm | mm | mm | mm | mm | mm | mm | mm | mm | mm | mm | mm | mm | mm | cm ² | N | N |
| | | min | max | | O | A | B | D | min | | | | | | | min | min |
| FV 40 | 40 | 18 | 24,5 | 10 | 15 | 20 | 32 | 40/48 | - | 3 | 36,0 | - | 43 | 26 | 2,5 | 40000 | - |
| | 50 | | | | | | | | | | | | | | | | |
| | 63 | | | | | | | | | | | | | | | | |
| | 80 | | | | | | | | | | | | | | | | |
| | 100 | | | | | | | | | | | | | | | | |
| FV 63 | 63 | 22 | 30,5 | 12 | 18 | 26 | 40 | 50/60 | 8 | 4 | 44,0 | 44,0 | 54 | 30 | 3,7 | 63000 | 46000 |
| | 80 | | | | | | | | | | | | | | | | |
| | 100 | | | | | | | | | | | | | | | | |
| | 125 | | | | | | | | | | | | | | | | |
| | 160 | | | | | | | | | | | | | | | | |
| FV 90 | 63 | 25 | 35,5 | 14 | 20 | 30 | 48 | 63/73 | 10 | 5 | 52,0 | 51,2 | 61 | 35 | 5,0 | 90000 | 73000 |
| | 100 | | | | | | | | | | | | | | | | |
| | 125 | | | | | | | | | | | | | | | | |
| | 160 | | | | | | | | | | | | | | | | |
| | 200 | | | | | | | | | | | | | | | | |
| | 250 | | | | | | | | | | | | | | | | |
| FV 112 | 100 | 30 | 42,5 | 16 | 22 | 32 | 55 | 72/85 | 11 | 6 | 61,0 | 60,2 | 70 | 40 | 6,8 | 112000 | 90000 |
| | 125 | | | | | | | | | | | | | | | | |
| | 160 | | | | | | | | | | | | | | | | |
| | 200 | | | | | | | | | | | | | | | | |
| | 250 | | | | | | | | | | | | | | | | |
| FV 140 | 100 | 35 | 47,5 | 18 | 26 | 36 | 60 | 80/95 | 12 | 6 | 66,0 | 65,3 | 79 | 45 | 8,6 | 140000 | 110000 |
| | 125 | | | | | | | | | | | | | | | | |
| | 160 | | | | | | | | | | | | | | | | |
| | 200 | | | | | | | | | | | | | | | | |
| | 250 | | | | | | | | | | | | | | | | |
| FV 180 | 125 | 45 | 61,5 | 20 | 30 | 42 | 70 | 100/120 | 14 | 8 | 85,5 | 84,8 | 99 | 50 | 12,3 | 180000 | 145000 |
| | 160 | | | | | | | | | | | | | | | | |
| | 200 | | | | | | | | | | | | | | | | |
| | 250 | | | | | | | | | | | | | | | | |
| | 315 | | | | | | | | | | | | | | | | |

f= bearing area
 FB= breaking load solid pin chain
 FBH= breaking load hollow pin

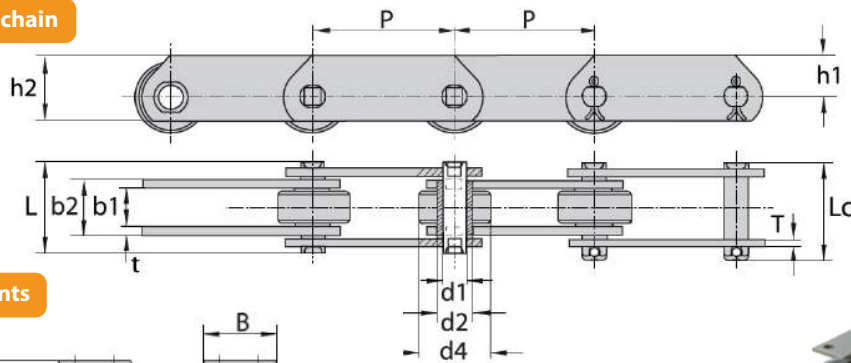


Conveyor chains - DIN 8165

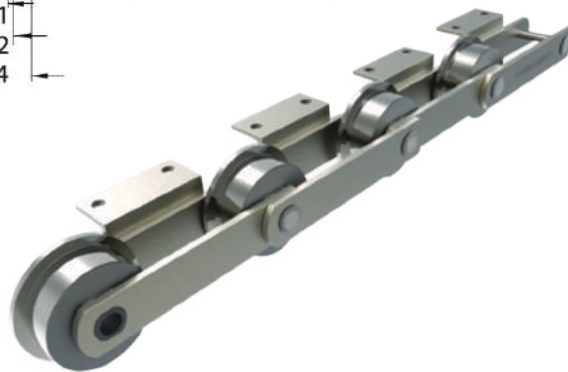
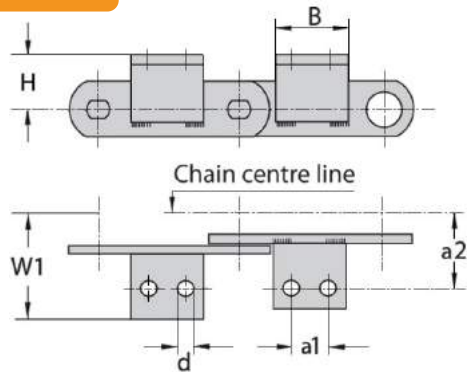
Type - FVT


CONVEYOR CHAINS

Deep link chain



Attachments



| DIN ref.  | P | a1 | a2° | B | d | h2 | h1 | H° | W | Angle iron | q | q | q | q | Attachment |
|---|-----|-----|-----|-----|-----|----|------|----|------|------------|-------|-------|-------|-------|------------|
| | mm | mm | mm | mm | mm | m | mm | mm | mm | | mm | mm | mm | mm | weight |
| | | | | max | max | | | | | | | O | A | B | D |
| FV 40 | 40 | - | - | - | - | | | - | - | - | 2,59 | 3,04 | 4,68 | - | - |
| | 50 | * | 25 | 25 | 6,4 | 35 | 22 | 20 | 49 | ** | 2,34 | 2,70 | 4,06 | - | 0,02 |
| | 63 | * | | 31 | | | | | | ** | 2,08 | 2,36 | 3,43 | 4,65 | 0,03 |
| | 80 | * | | 40 | | | | | | ** | 1,91 | 2,14 | 3,02 | 4,01 | 0,04 |
| | 100 | 30 | | 50 | | | | | 46 | ** | 1,76 | 1,94 | 2,60 | 3,38 | 0,05 |
| FV 63 | 63 | * | 34 | 40 | 8,4 | 40 | 25 | 30 | 50 | ** | 3,46 | 4,17 | 6,08 | - | 0,05 |
| | 80 | * | | 40 | | | | | 49,5 | 30x30x4 | 3,10 | 3,72 | 5,29 | 6,00 | 0,07 |
| | 100 | 30 | | 50 | | | | | | | 2,92 | 3,37 | 4,57 | 5,60 | 0,09 |
| | 125 | 40 | | 60 | | | | | | | 2,67 | 3,03 | 3,79 | 4,82 | 0,12 |
| | 160 | 50 | | 70 | | | | | | | 2,45 | 2,73 | 3,48 | 4,13 | 0,14 |
| FV 90 | 63 | - | - | - | - | | | - | - | - | 5,72 | 6,87 | 10,00 | - | - |
| | 100 | 30 | 40 | 50 | 8,4 | 45 | 27,5 | 35 | 63 | 40x40x5 | 4,67 | 5,40 | 7,37 | 9,59 | 0,15 |
| | 125 | 40 | | 60 | | | | | | | 4,35 | 4,93 | 6,51 | 8,29 | 0,19 |
| | 160 | 50 | | 70 | | | | | | | 3,87 | 4,32 | 5,56 | 6,95 | 0,24 |
| | 200 | 60 | | 80 | | | | | | | 3,50 | 3,86 | 4,85 | 5,96 | 0,27 |
| | 250 | 65 | | 85 | | | | | | | 3,47 | 3,76 | 4,55 | 5,44 | 0,30 |
| FV 112 | 100 | 30 | 50 | 50 | 11 | 50 | 30 | 40 | 67,5 | 40x40x6 | 6,11 | 7,06 | 10,50 | 14,30 | 0,18 |
| | 125 | 40 | | 65 | | | | | | | 5,85 | 6,61 | 9,39 | 12,40 | 0,23 |
| | 160 | 50 | | 75 | | | | | | | 5,26 | 5,85 | 8,03 | 10,40 | 0,28 |
| | 200 | 65 | | 90 | | | | | | | 5,00 | 5,47 | 7,30 | 9,13 | 0,35 |
| | 250 | 80 | | 105 | | | | | | | 4,72 | 5,10 | 6,49 | 8,02 | 0,47 |
| FV 140 | 100 | 30 | 50 | 55 | 11 | 60 | 37,5 | 45 | 80 | 50x50x7 | 7,38 | 8,69 | 13,30 | - | 0,28 |
| | 125 | 40 | | 65 | | | | | | | 6,78 | 7,80 | 11,50 | 15,70 | 0,33 |
| | 160 | 50 | | 75 | | | | | | | 6,56 | 7,36 | 10,20 | 13,50 | 0,41 |
| | 200 | 65 | | 90 | | | | | | | 5,82 | 6,46 | 8,77 | 11,40 | 0,51 |
| | 250 | 80 | | 105 | | | | | | | 5,48 | 5,99 | 7,85 | 9,96 | 0,69 |
| FV 180 | 125 | 35 | 64 | 63 | 13 | 70 | 45 | 45 | 89,3 | 50x50x7 | 10,70 | 12,50 | 19,20 | - | 0,33 |
| | 160 | 50 | | 80 | | | | | | | 9,72 | 11,20 | 16,30 | 22,20 | 0,41 |
| | 200 | 65 | | 95 | | | | | | | 9,12 | 10,00 | 14,40 | 19,10 | 0,51 |
| | 250 | 80 | | 110 | | | | | | | 8,51 | 9,43 | 12,70 | 16,90 | 0,69 |
| | 315 | 100 | | 130 | | | | | | | 8,20 | 8,93 | 11,60 | 14,50 | 0,82 |

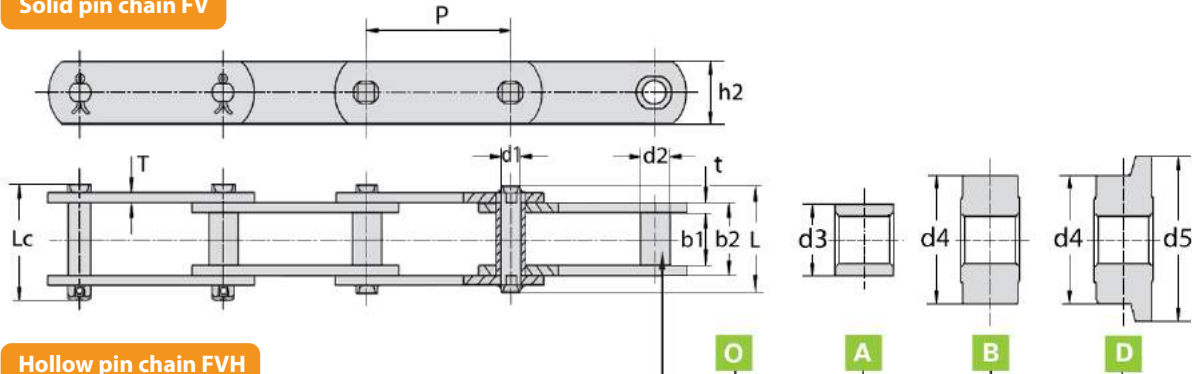
° = Free dimension
* = 1 hole only
q = chain weight

Conveyor chains - DIN 8165

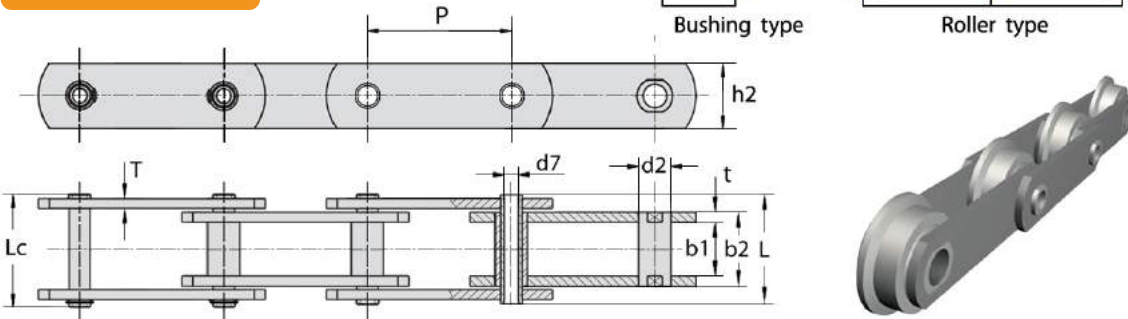
Type - FV / FVH



Solid pin chain FV



Hollow pin chain FVH



| DIN ref. | P | b1 | b2 | d1 | d2 | d3 | d4 | d4/d5 | d7 | T/t | L | L1 | Lc | h2 | f | F _B | F _{BH} |
|----------|-----|-----|-----|----|----|----|-----|---------|-----|-----|------|-------|-----|-----|-----------------|----------------|-----------------|
| | mm | mm | mm | mm | mm | mm | mm | mm | mm | mm | mm | mm | mm | mm | cm ² | N | N |
| | | min | max | O | A | B | D | | min | | | | | | min | min | |
| FV 250 | 125 | 55 | 72 | 26 | 36 | 50 | 80 | 125/145 | 18 | 8 | 97.5 | 95.3 | 113 | 60 | 18,7 | 250000 | 215000 |
| | 160 | | | | | | | | | | | | | | | | |
| | 200 | | | | | | | | | | | | | | | | |
| | 250 | | | | | | | | | | | | | | | | |
| | 315 | | | | | | | | | | | | | | | | |
| FV 315 | 160 | 65 | 86 | 30 | 42 | 60 | 90 | 140/170 | 20 | 10 | 117 | 113.3 | 130 | 70 | 25,8 | 315000 | 295000 |
| | 200 | | | | | | | | | | | | | | | | |
| | 250 | | | | | | | | | | | | | | | | |
| | 315 | | | | | | | | | | | | | | | | |
| | 400 | | | | | | | | | | | | | | | | |
| FV 400 | 160 | 70 | 96 | 32 | 44 | 60 | 100 | 150/185 | 22 | 12 | 130 | 127.3 | 148 | 70 | 30,7 | 400000 | 330000 |
| | 200 | | | | | | | | | | | | | | | | |
| | 250 | | | | | | | | | | | | | | | | |
| | 315 | | | | | | | | | | | | | | | | |
| | 400 | | | | | | | | | | | | | | | | |
| FV 500 | 160 | 80 | 106 | 36 | 50 | 70 | 110 | 160/195 | 26 | 12 | 140 | 138.3 | 160 | 80 | 38,2 | 500000 | 440000 |
| | 200 | | | | | | | | | | | | | | | | |
| | 250 | | | | | | | | | | | | | | | | |
| | 315 | | | | | | | | | | | | | | | | |
| | 400 | | | | | | | | | | | | | | | | |
| FV 630 | 200 | 90 | 116 | 42 | 56 | 80 | 120 | 170/210 | 30 | 12 | 152 | 149.3 | 196 | 100 | 48,7 | 630000 | 520000 |
| | 250 | | | | | | | | | | | | | | | | |
| | 315 | | | | | | | | | | | | | | | | |
| | 400 | | | | | | | | | | | | | | | | |
| | 500 | | | | | | | | | | | | | | | | |

f= bearing area
 F_B= breaking load solid pin chain
 F_{BH}= breaking load hollow pin

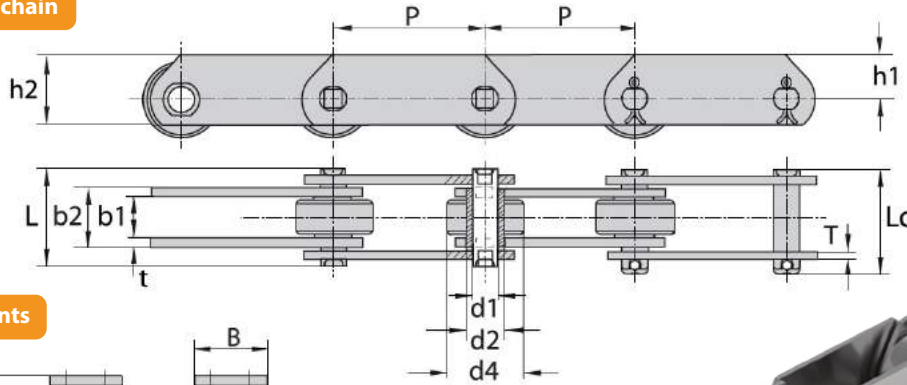


Conveyor chains - DIN 8165

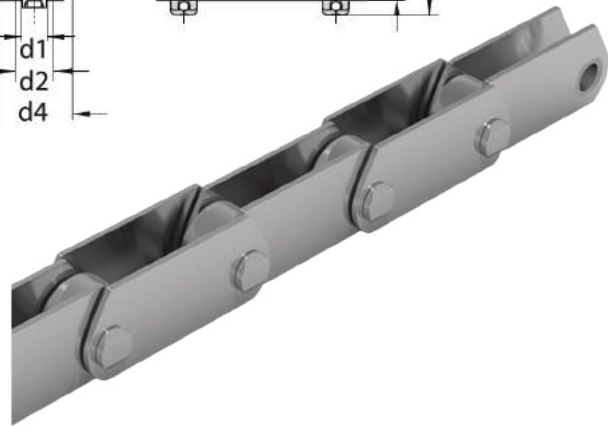
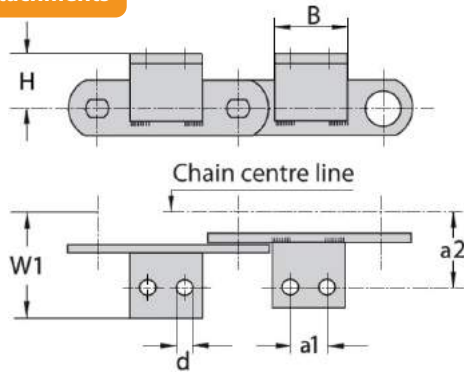
Type - FVT


CONVEYOR CHAINS

Deep link chain



Attachments



| DIN ref.  | P | a1 | a2° | B | d | h2 | h1 | H° | W | Angle iron | q | q | q | q | Attachment |
|---|-----|-----|-----|-----|-----|-----|----|----|-------|------------|-------|-------|-------|-------|------------|
| | mm | mm | mm | mm | mm | mm | mm | mm | mm | | mm | mm | mm | mm | weight |
| | | | | max | max | | | | | | | O | A | B | D |
| FV 250 | 125 | * | 69 | 50 | 13 | 80 | 50 | 55 | 109.5 | 65x65x7 | 14,30 | 17,50 | 27,50 | - | 0,39 |
| | 160 | 50 | | 80 | | | | | | | 13,00 | 15,50 | 23,40 | 39,90 | 0,62 |
| | 200 | 65 | | 95 | | | | | | | 11,80 | 13,80 | 20,60 | 33,30 | 0,77 |
| | 250 | 80 | | 110 | | | | | | | 10,80 | 12,40 | 17,40 | 28,00 | 1,04 |
| | 315 | 100 | | 130 | | | | | | | 10,00 | 11,20 | 15,20 | 23,60 | 1,23 |
| FV 315 | 160 | * | 85 | 50 | 13 | 90 | 55 | 60 | 124 | 70x70x9 | 20,04 | 24,51 | 35,67 | - | 0,65 |
| | 200 | 65 | | 95 | | | | | | | 18,24 | 21,81 | 30,74 | 43,59 | 0,93 |
| | 250 | 80 | | 110 | | | | | | | 16,76 | 19,65 | 26,79 | 37,07 | 1,25 |
| | 315 | 100 | | 130 | | | | | | | 15,53 | 17,80 | 23,46 | 31,62 | 1,48 |
| | 400 | 100 | | 130 | | | | | | | 14,56 | 16,35 | 20,81 | 27,23 | 1,48 |
| FV 400 | 160 | * | 95 | 50 | 17 | 90 | 55 | 65 | 131 | 70x70x11 | 24,16 | 28,52 | 45,58 | - | 0,78 |
| | 200 | 60 | | 100 | | | | | | | 21,91 | 25,40 | 39,05 | 56,11 | 1,12 |
| | 250 | 80 | | 120 | | | | | | | 20,17 | 22,96 | 33,88 | 47,53 | 1,50 |
| | 315 | 100 | | 140 | | | | | | | 18,73 | 20,95 | 29,61 | 40,44 | 1,78 |
| | 400 | 100 | | 140 | | | | | | | 17,56 | 19,31 | 26,12 | 34,66 | 1,78 |
| FV 500 | 160 | * | 100 | 50 | 17 | 100 | 60 | 70 | 146.0 | 80x80x12 | 30,04 | 37,18 | 58,90 | - | 0,84 |
| | 200 | 50 | | 90 | | | | | | | 27,04 | 32,75 | 50,13 | - | 1,25 |
| | 250 | 80 | | 120 | | | | | | | 24,65 | 29,22 | 43,12 | 55,48 | 1,88 |
| | 315 | 100 | | 140 | | | | | | | 22,68 | 26,30 | 37,34 | 47,14 | 2,23 |
| | 400 | 100 | | 140 | | | | | | | 21,06 | 23,91 | 32,60 | 40,33 | 2,23 |
| FV 630 | 200 | * | 115 | 50 | 17 | 120 | 70 | 80 | 171.0 | 100x100x12 | 36,45 | 45,22 | 67,25 | - | 1,24 |
| | 250 | 70 | | 110 | | | | | | | 32,93 | 39,95 | 57,57 | 76,20 | 2,13 |
| | 315 | 100 | | 140 | | | | | | | 30,02 | 35,59 | 49,57 | 64,36 | 2,83 |
| | 400 | 100 | | 140 | | | | | | | 27,65 | 32,04 | 43,05 | 54,69 | 2,83 |
| | 500 | 100 | | 140 | | | | | | | 25,88 | 29,39 | 38,20 | 47,52 | 2,83 |

° = Free dimension
 * = 1 hole only
 q = chain weight

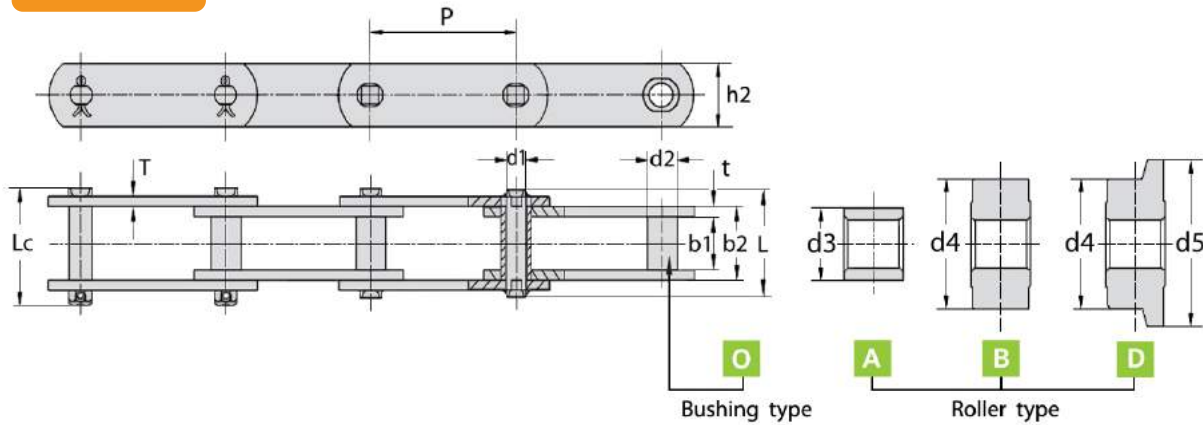


Conveyor chains - DIN 8167

Type - M

ISO Recommendation R 1977

Solid pin chain



| DIN ref. | P | b1 | b2 | d1 | d2 | d3 | d4 | d4/d5 | e | F1 | F3 | h2 | s | f | F _B |
|--------------|-----|-----|-----|-----|------|------|----|-------|-----|------|------|----|-----|-----------------|----------------|
| | mm | mm | mm | mm | mm | mm | mm | mm | mm | mm | mm | mm | mm | cm ² | N |
| | | min | max | | O | A | B | D | | | | | | | min |
| M 20 ** | 40 | 16 | 22 | 6 | 9 | 12,5 | 25 | 25/30 | 4 | 31,2 | 36,2 | 18 | 2,5 | 1,32 | 20000 |
| | 50 | | | | | | | | | | | | | | |
| | 63 | | | | | | | | | | | | | | |
| | 80 | | | | | | | | | | | | | | |
| | 100 | | | | | | | | | | | | | | |
| | 125 | | | | | | | | | | | | | | |
| | 160 | | | | | | | | | | | | | | |
| M 28 ** | 50 | 18 | 25 | 7 | 10 | 15 | 30 | 30/36 | 4,5 | 35,2 | 40,2 | 20 | 3 | 1,75 | 28000 |
| | 63 | | | | | | | | | | | | | | |
| | 80 | | | | | | | | | | | | | | |
| | 100 | | | | | | | | | | | | | | |
| | 125 | | | | | | | | | | | | | | |
| | 160 | | | | | | | | | | | | | | |
| | 200 | | | | | | | | | | | | | | |
| M 40 ** | 63 | 20 | 28 | 8,5 | 12,5 | 18,0 | 36 | 36/42 | 4,5 | 40,2 | 47,2 | 25 | 3,5 | 2,38 | 40000 |
| | 80 | | | | | | | | | | | | | | |
| | 100 | | | | | | | | | | | | | | |
| | 125 | | | | | | | | | | | | | | |
| | 160 | | | | | | | | | | | | | | |
| | 200 | | | | | | | | | | | | | | |
| | 250 | | | | | | | | | | | | | | |
| M 56 | 63 | 24 | 33 | 10 | 15 | 21 | 42 | 42/50 | 6 | 47,2 | 56,2 | 30 | 4 | 3,30 | 56000 |
| | 80 | | | | | | | | | | | | | | |
| | 100 | | | | | | | | | | | | | | |
| | 125 | | | | | | | | | | | | | | |
| | 160 | | | | | | | | | | | | | | |
| | 200 | | | | | | | | | | | | | | |
| | 250 | | | | | | | | | | | | | | |
| M 80 | 80 | 28 | 39 | 12 | 18 | 25 | 50 | 50/60 | 7 | 55,2 | 64,2 | 35 | 5 | 4,68 | 80000 |
| | 100 | | | | | | | | | | | | | | |
| | 125 | | | | | | | | | | | | | | |
| | 160 | | | | | | | | | | | | | | |
| | 200 | | | | | | | | | | | | | | |
| | 250 | | | | | | | | | | | | | | |
| | 315 | | | | | | | | | | | | | | |
| M 112 | 80 | 32 | 45 | 15 | 21 | 30 | 60 | 60/70 | 7,5 | 64,2 | 75,2 | 40 | 6 | 6,75 | 112000 |
| | 100 | | | | | | | | | | | | | | |
| | 125 | | | | | | | | | | | | | | |
| | 160 | | | | | | | | | | | | | | |
| | 200 | | | | | | | | | | | | | | |
| | 250 | | | | | | | | | | | | | | |
| | 315 | | | | | | | | | | | | | | |
| | 400 | | | | | | | | | | | | | | |

** Pins + bushings not flattened

f = bearing area F_B = breaking load F1 = Riveted pin F3 = Cottered pin



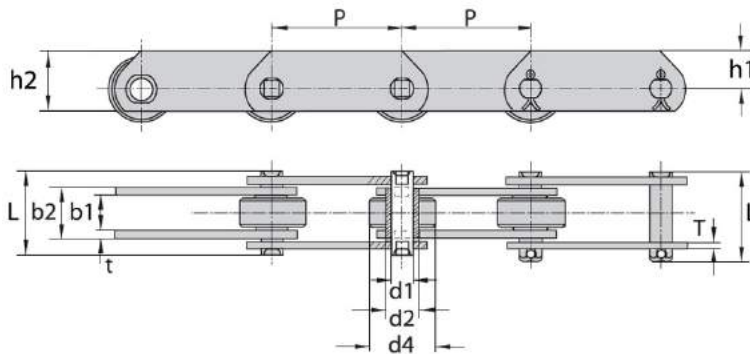
Conveyor chains - DIN 8167

Type - MT

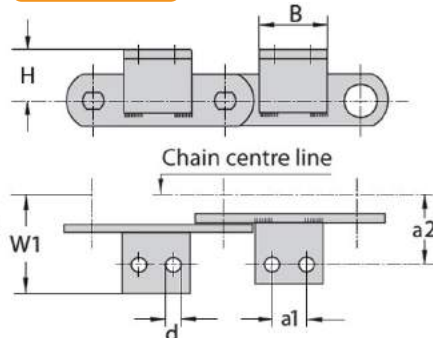
ISO Recommendation R 1977


CONVEYOR CHAINS

Deep link chain



Attachments



| DIN ref.  | P mm | a1 mm | a2° mm | B mm | d mm | h2 m | h1 mm | H° mm | W mm | Angle iron | q | q | q | q | Attachment weight kg/each |
|---|---------|----------|-----------|---------|---------|---------|----------|----------|---------|------------|------|------|-------|-------|---------------------------------|
| | | | | | | | | | | | O | A | B | D | |
| | | | | | | | | | | | mm | mm | mm | mm | |
| M 20** | 40 | * | 27 | 14 | 6,6 | 25 | 16 | 16 | 39 | 15x20x3 | 1,08 | 1,44 | 2,61 | 2,81 | 0,02 |
| | 50 | * | 14 | | | | | | | | 1,01 | 1,29 | 2,23 | 2,39 | 0,02 |
| | 63 | 20 | 35 | | | | | | | | 0,99 | 1,23 | 2,00 | 2,13 | 0,04 |
| | 80 | 35 | 50 | | | | | | | | 0,90 | 1,07 | 1,67 | 1,77 | 0,06 |
| | 100 | 50 | 65 | | | | | | | | 0,86 | 1,00 | 1,47 | 1,55 | 0,07 |
| | 125 | 50 | 65 | | | | | | | | 0,82 | 0,95 | 1,32 | 1,38 | 0,07 |
| | 160 | 50 | 65 | | | | | | | | 0,80 | 0,89 | 1,19 | 1,24 | 0,07 |
| M 28** | 50 | * | 32 | 20 | 9 | 30 | 20 | 20 | 46 | 20x30x3 | 1,54 | 1,82 | 3,32 | 3,52 | 0,02 |
| | 63 | * | 20 | | | | | | | | 1,42 | 1,64 | 2,84 | 3,00 | 0,02 |
| | 80 | 25 | 45 | | | | | | | | 1,32 | 1,50 | 2,44 | 2,57 | 0,05 |
| | 100 | 40 | 60 | | | | | | | | 1,24 | 1,38 | 2,13 | 2,23 | 0,07 |
| | 125 | 65 | 85 | | | | | | | | 1,18 | 1,30 | 1,90 | 1,98 | 0,10 |
| | 160 | 65 | 85 | | | | | | | | 1,13 | 1,22 | 1,69 | 1,08 | 0,10 |
| | 200 | 65 | 85 | | | | | | | | 1,10 | 1,17 | 1,54 | 1,59 | 0,10 |
| M 40** | 63 | * | 35 | 20 | 9 | 35 | 22,5 | 25 | 48 | 30x30x3 | 2,24 | 2,57 | 4,47 | 4,70 | 0,03 |
| | 80 | 20 | 40 | | | | | | | | 1,98 | 2,25 | 3,75 | 3,95 | 0,06 |
| | 100 | 40 | 60 | | | | | | | | 1,91 | 2,12 | 3,32 | 3,47 | 0,08 |
| | 125 | 65 | 85 | | | | | | | | 1,81 | 1,98 | 2,93 | 3,06 | 0,15 |
| | 160 | 65 | 85 | | | | | | | | 1,71 | 1,85 | 2,60 | 2,71 | 0,15 |
| | 200 | 65 | 85 | | | | | | | | 1,64 | 1,75 | 2,35 | 2,42 | 0,15 |
| | 250 | 65 | 85 | | | | | | | | 1,60 | 1,68 | 2,16 | 2,23 | 0,15 |
| M 56 | 63 | * | 44 | 22 | 11 | 45 | 30 | 30 | 61 | 40x40x4 | 3,32 | 3,83 | 6,93 | 7,26 | 0,05 |
| | 80 | * | 22 | | | | | | | | 3,01 | 3,41 | 5,86 | 6,20 | 0,05 |
| | 100 | 25 | 50 | | | | | | | | 2,79 | 3,11 | 5,07 | 5,34 | 0,12 |
| | 125 | 50 | 75 | | | | | | | | 2,60 | 2,87 | 4,43 | 4,65 | 0,18 |
| | 160 | 85 | 110 | | | | | | | | 2,44 | 2,64 | 3,87 | 4,04 | 0,27 |
| | 200 | 85 | 110 | | | | | | | | 2,34 | 2,50 | 3,49 | 3,63 | 0,27 |
| | 250 | 85 | 110 | | | | | | | | 2,25 | 2,37 | 3,16 | 3,27 | 0,27 |
| M 80 | 80 | * | 48 | 22 | 11 | 50 | 32,5 | 35 | 65 | 40x40x4 | 4,65 | 5,29 | 9,35 | 9,95 | 0,05 |
| | 100 | * | 22 | | | | | | | | 4,27 | 4,79 | 8,03 | 8,50 | 0,05 |
| | 125 | 50 | 75 | | | | | | | | 3,97 | 4,38 | 6,98 | 7,35 | 0,18 |
| | 160 | 85 | 110 | | | | | | | | 3,70 | 4,03 | 6,05 | 6,35 | 0,27 |
| | 200 | 125 | 150 | | | | | | | | 3,51 | 3,77 | 5,39 | 5,63 | 0,36 |
| | 250 | 125 | 150 | | | | | | | | 3,37 | 3,57 | 4,87 | 5,06 | 0,36 |
| | 315 | 125 | 150 | | | | | | | | 3,24 | 3,41 | 4,43 | 4,58 | 0,36 |
| M 112 | 80 | * | 55 | 28 | 14 | 60 | 40 | 40 | 79 | 50x50x6 | 6,75 | 7,88 | 14,60 | 15,30 | 0,13 |
| | 100 | * | 28 | | | | | | | | 6,15 | 7,06 | 12,40 | 13,00 | 0,13 |
| | 125 | 35 | 65 | | | | | | | | 5,69 | 6,42 | 10,70 | 11,20 | 0,30 |
| | 160 | 65 | 95 | | | | | | | | 5,26 | 5,83 | 9,15 | 9,54 | 0,44 |
| | 200 | 100 | 130 | | | | | | | | 4,97 | 5,43 | 8,09 | 8,38 | 0,59 |
| | 250 | 100 | 130 | | | | | | | | 4,74 | 5,10 | 7,22 | 7,47 | 0,59 |
| | 315 | 100 | 130 | | | | | | | | 4,53 | 4,82 | 6,52 | 6,70 | 0,59 |
| | 400 | 100 | 130 | | | | | | | | 4,38 | 4,61 | 5,94 | 6,08 | 0,59 |

** Pins + bushings not flattened

* = 1 hole only
q = chain weight

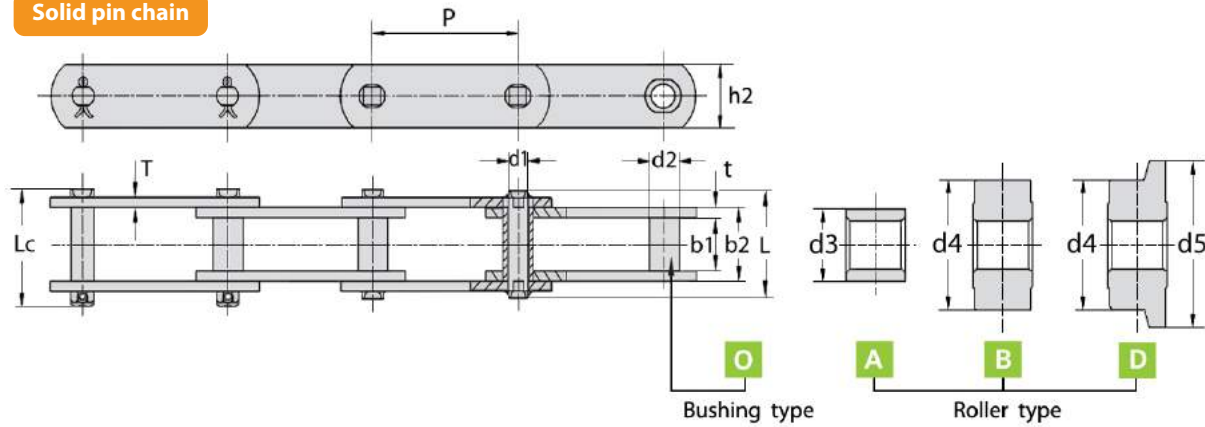


Conveyor chains - DIN 8167

Type - M

ISO Recommendation R 1977

Solid pin chain



| DIN ref. | P | b1 | b2 | d1 | d2 | d3 | d4 | d4/d5 | e | F1 | F3 | h2 | s | f | F _B |
|--------------|------|-----|-----|----|----|----|-----|----------|------|-------|-------|-----|----|-----------------|----------------|
| | mm | mm | mm | mm | mm | mm | mm | mm | mm | mm | mm | mm | mm | cm ² | N |
| | | min | max | | O | A | B | D | | | | | | | min |
| M 160 | 100 | 37 | 52 | 18 | 25 | 36 | 70 | 70/85 | 8,5 | 73,3 | 88,3 | 50 | 7 | 9,36 | 160000 |
| | 125 | | | | | | | | | | | | | | |
| | 160 | | | | | | | | | | | | | | |
| | 200 | | | | | | | | | | | | | | |
| | 250 | | | | | | | | | | | | | | |
| | 315 | | | | | | | | | | | | | | |
| | 400 | | | | | | | | | | | | | | |
| | 500 | | | | | | | | | | | | | | |
| M 224 | 125 | 43 | 60 | 21 | 30 | 42 | 85 | 85/100 | 10,0 | 86,3 | 99,3 | 60 | 8 | 12,60 | 224000 |
| | 160 | | | | | | | | | | | | | | |
| | 200 | | | | | | | | | | | | | | |
| | 250 | | | | | | | | | | | | | | |
| | 315 | | | | | | | | | | | | | | |
| | 400 | | | | | | | | | | | | | | |
| | 500 | | | | | | | | | | | | | | |
| | 630 | | | | | | | | | | | | | | |
| M 315 | 160 | 48 | 70 | 25 | 36 | 50 | 100 | 100/120 | 10,5 | 100,3 | 120,3 | 70 | 10 | 17,50 | 315000 |
| | 200 | | | | | | | | | | | | | | |
| | 250 | | | | | | | | | | | | | | |
| | 315 | | | | | | | | | | | | | | |
| | 400 | | | | | | | | | | | | | | |
| | 500 | | | | | | | | | | | | | | |
| | 630 | | | | | | | | | | | | | | |
| M 450 | 200 | 56 | 82 | 30 | 42 | 60 | 120 | 120/140* | 11,5 | 117,5 | 141,3 | 80 | 12 | 24,60 | 450000 |
| | 250 | | | | | | | | | | | | | | |
| | 315 | | | | | | | | | | | | | | |
| | 400 | | | | | | | | | | | | | | |
| | 500 | | | | | | | | | | | | | | |
| | 630 | | | | | | | | | | | | | | |
| | 800 | | | | | | | | | | | | | | |
| M 630 | 250 | 66 | 96 | 36 | 50 | 70 | 140 | 140/170* | 14,5 | 136,3 | 159,3 | 100 | 14 | 34,56 | 630000 |
| | 315 | | | | | | | | | | | | | | |
| | 400 | | | | | | | | | | | | | | |
| | 500 | | | | | | | | | | | | | | |
| | 630 | | | | | | | | | | | | | | |
| | 800 | | | | | | | | | | | | | | |
| | 1000 | | | | | | | | | | | | | | |
| M 900 | 250 | 78 | 112 | 44 | 60 | 85 | 170 | 170/210* | 17,0 | 157,3 | 179,3 | 120 | 16 | 49,28 | 900000 |
| | 315 | | | | | | | | | | | | | | |
| | 400 | | | | | | | | | | | | | | |
| | 500 | | | | | | | | | | | | | | |
| | 630 | | | | | | | | | | | | | | |
| | 800 | | | | | | | | | | | | | | |
| | 1000 | | | | | | | | | | | | | | |

f = bearing area F_B = breaking load F1 = Riveted pin F3 = Cottered pin



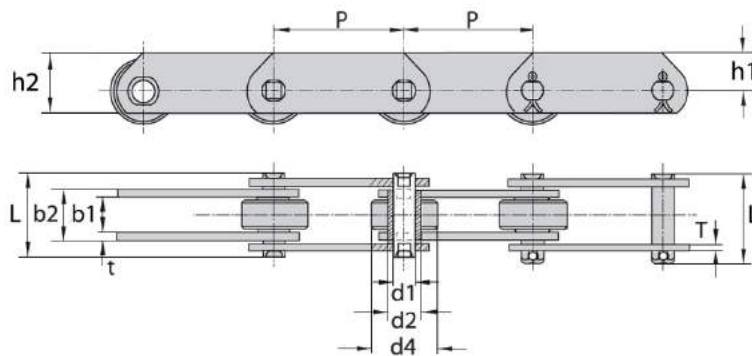
Conveyor chains - DIN 8167

Type - FVT

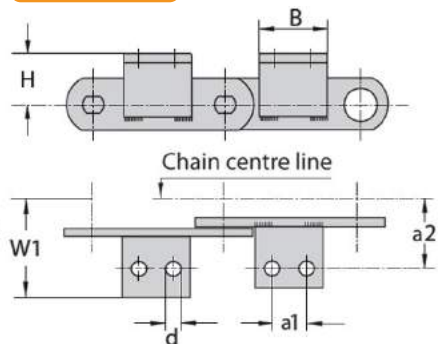
ISO Recommendation R 1977


CONVEYOR CHAINS

Deep link chain



Attachments



| DIN ref.  | P | a1 | a2° | B | d | h2 | h1 | H° | W | Angle iron | q | q | q | q | Attachment |
|---|------|-----|-----|-----|-----|-----|-----|-----|------|------------|-------|-------|--------|--------|------------|
| | mm | mm | mm | mm | mm | m | mm | mm | mm | | mm | mm | mm | mm | weight |
| | | | | max | max | | | | | | | O | A | B | D |
| M 160 | 100 | * | 62 | 30 | 14 | 70 | 45 | 15 | 83.5 | 50x50x6 | 9,70 | 11,20 | 19,50 | 20,40 | 0,14 |
| | 125 | * | | 30 | | | | | | | 8,85 | 10,10 | 16,70 | 17,50 | 0,14 |
| | 160 | 50 | | 80 | | | | | | | 8,15 | 9,12 | 14,30 | 14,90 | 0,37 |
| | 200 | 85 | | 115 | | | | | | | 7,56 | 8,33 | 12,50 | 13,00 | 0,53 |
| | 250 | 145 | | 175 | | | | | | | 7,22 | 7,82 | 11,10 | 11,50 | 0,80 |
| | 315 | 145 | | 175 | | | | | | | 6,88 | 7,38 | 9,95 | 10,30 | 0,80 |
| | 400 | 145 | | 175 | | | | | | | 6,57 | 6,95 | 9,00 | 9,25 | 0,80 |
| M 224 | 500 | 145 | | 175 | | | | | | | 6,36 | 6,68 | 8,35 | 8,52 | 0,80 |
| | 125 | * | 70 | 35 | 18 | 90 | 60 | 55 | 99 | 60x60x8 | 13,10 | 14,90 | 26,60 | 27,80 | 0,25 |
| | 160 | * | | 35 | | | | | | | 11,90 | 13,30 | 22,40 | 23,40 | 0,25 |
| | 200 | 65 | | 100 | | | | | | | 11,10 | 12,20 | 19,50 | 20,30 | 0,71 |
| | 250 | 125 | | 160 | | | | | | | 10,30 | 11,20 | 17,10 | 17,70 | 1,13 |
| | 315 | 190 | | 225 | | | | | | | 9,78 | 10,50 | 15,10 | 15,70 | 1,60 |
| | 400 | 190 | | 225 | | | | | | | 9,30 | 9,86 | 13,50 | 13,90 | 1,60 |
| M 315 | 500 | 190 | | 225 | | | | | | | 8,97 | 9,40 | 12,30 | 12,60 | 1,60 |
| | 630 | 190 | | 225 | | | | | | | 8,67 | 9,02 | 11,30 | 11,60 | 1,60 |
| | 160 | * | 80 | 35 | 18 | 100 | 65 | 65 | 116 | 70x70x9 | 18,30 | 20,50 | 34,40 | 36,10 | 0,27 |
| | 200 | 50 | | 85 | | | | | | | 16,70 | 18,60 | 29,60 | 31,00 | 0,66 |
| | 250 | 100 | | 135 | | | | | | | 15,60 | 17,10 | 25,90 | 27,10 | 1,04 |
| | 315 | 155 | | 190 | | | | | | | 14,60 | 15,80 | 22,90 | 23,70 | 1,46 |
| | 400 | 155 | | 190 | | | | | | | 13,90 | 14,80 | 20,30 | 21,20 | 1,46 |
| M 450 | 500 | 155 | | 190 | | | | | | | 13,30 | 14,10 | 18,50 | 19,10 | 1,46 |
| | 630 | 155 | | 190 | | | | | | | 12,80 | 13,40 | 16,90 | 17,40 | 1,46 |
| | 200 | * | 90 | 40 | 18 | 120 | 80 | 75 | 124 | 70x70x9 | 24,20 | 27,50 | 46,00 | 47,80 | 0,37 |
| | 250 | 85 | | 125 | | | | | | | 22,40 | 25,00 | 39,80 | 41,40 | 1,17 |
| | 315 | 155 | | 195 | | | | | | | 20,90 | 22,90 | 34,70 | 36,00 | 1,82 |
| | 400 | 240 | | 280 | | | | | | | 19,70 | 21,30 | 30,60 | 31,50 | 2,62 |
| M 630 | 500 | 240 | | 280 | | | | | | | 18,70 | 20,10 | 27,50 | 28,20 | 2,62 |
| | 630 | 240 | | 280 | | | | | | | 18,00 | 19,00 | 24,90 | 25,50 | 2,62 |
| | 800 | 240 | | 280 | | | | | | | 17,40 | 18,20 | 22,80 | 23,30 | 2,62 |
| | 250 | * | 115 | 50 | 24 | 140 | 90 | 90 | 163 | 100x100x12 | 34,80 | 39,60 | 62,80 | 65,70 | 0,89 |
| | 315 | 100 | | 150 | | | | | | | 32,20 | 35,40 | 54,30 | 56,50 | 2,67 |
| | 400 | 190 | | 240 | | | | | | | 30,30 | 32,70 | 47,80 | 49,50 | 4,27 |
| M 900 | 500 | 300 | | 350 | | | | | | | 28,40 | 30,40 | 42,40 | 43,80 | 6,22 |
| | 630 | 300 | | 350 | | | | | | | 27,10 | 28,70 | 38,30 | 39,30 | 6,22 |
| | 800 | 300 | | 350 | | | | | | | 26,00 | 27,20 | 34,70 | 35,60 | 6,22 |
| | 1000 | 300 | | 350 | | | | | | | 25,20 | 26,20 | 32,20 | 32,90 | 6,22 |
| | 250 | * | 140 | 60 | 30 | 180 | 120 | 110 | 193 | 120x120x15 | 51,20 | 58,00 | 100,00 | 106,00 | 1,59 |
| | 315 | 65 | | 125 | | | | | | | 47,00 | 52,30 | 85,70 | 90,20 | 3,32 |
| 400 | 155 | | 215 | | | | | | | 43,50 | 47,70 | 74,00 | 77,40 | 5,70 | |
| 500 | 240 | | 300 | | | | | | | 40,80 | 44,20 | 65,30 | 68,10 | 7,95 | |
| 630 | 240 | | 300 | | | | | | | 38,80 | 41,40 | 58,10 | 60,40 | 7,95 | |
| 800 | 240 | | 300 | | | | | | | 36,90 | 39,00 | 52,20 | 51,70 | 7,95 | |
| 1000 | 240 | | 300 | | | | | | | 35,50 | 37,20 | 47,70 | 49,10 | 7,95 | |

** Pins + bushings not flattened

* = 1 hole only

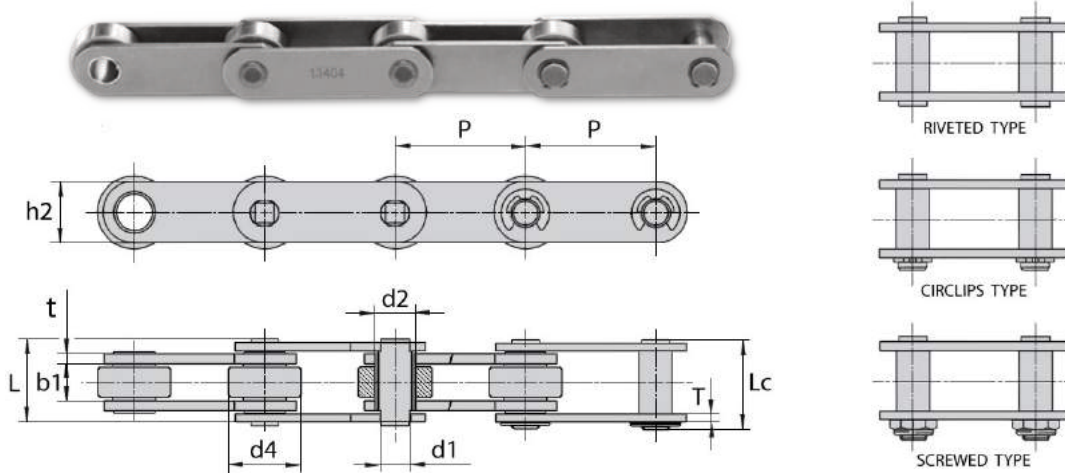
q = chain weight




Solid pin conveyor chains

Type - GH

Solid pin chain



| Chain ref. | Pitch | Width between inner plates | Roller diameter | Bush diameter | Pin diameter | Pin length | | Plate height | Plate thickness | Bearing surface | Tensile strength | Weight per meter |
|---|-------|----------------------------|-----------------|---------------|--------------|------------|--------|--------------|-----------------|-----------------|--------------------|------------------|
| | | | | | | L max | Lc max | | | | | |
| | | | | | | mm | mm | | | | | |
|  | P | b1 min | d4 max | d2 max | d1 max | L max | Lc max | h2 max | t/T max | f | F ₃ min | q |
| | mm | mm | mm | mm | mm | mm | mm | mm | mm | cm ² | kN/LB | kg/m |
| GH 6702 ZP DS | 50,8 | 15 | 31,8 | 18 | 14 | 36,5 | 41 | 25,4 | 3,8/3,8 | 3,2 | 67000 | 4,0 |
| GH 6703 ZP DS | 76,2 | 15 | 31,8 | 18 | 14 | 36,5 | 41 | 25,4 | 3,8/3,8 | 3,2 | 67000 | 3,2 |
| GH 67035 ZP DS | 88,9 | 15 | 31,8 | 18 | 14 | 36,5 | 41 | 25,4 | 3,8/3,8 | 3,2 | 67000 | 3,0 |
| GH 6704 ZP DS | 101,6 | 15 | 31,8 | 18 | 14 | 36,5 | 41 | 25,4 | 3,8/3,8 | 3,2 | 67000 | 2,8 |
| GH 6705 ZP DS | 127,0 | 15 | 31,8 | 18 | 14 | 36,5 | 41 | 25,4 | 3,8/3,8 | 3,2 | 67000 | 2,6 |
| GH 6706 ZP DS | 152,4 | 15 | 31,8 | 18 | 14 | 36,5 | 41 | 25,4 | 3,8/3,8 | 3,2 | 67000 | 2,4 |
| GH 13403 ZP DS | 76,2 | 19 | 47,6 | 23,6 | 19 | 44 | 48 | 38,1 | 5,1/3,8 | 5,6 | 134000 | 7,6 |
| GH 134035 ZP DS | 88,9 | 19 | 47,6 | 23,6 | 19 | 44 | 48 | 38,1 | 5,1/3,8 | 5,6 | 134000 | 7,0 |
| GH 13404 ZP DS | 101,6 | 19 | 47,6 | 23,6 | 19 | 44 | 48 | 38,1 | 5,1/3,8 | 5,6 | 134000 | 6,4 |
| GH 13405 ZP DS | 127,0 | 19 | 47,6 | 23,6 | 19 | 44 | 48 | 38,1 | 5,1/3,8 | 5,6 | 134000 | 5,7 |
| GH 13406 ZP DS | 152,4 | 19 | 47,6 | 23,6 | 19 | 44 | 48 | 38,1 | 5,1/3,8 | 5,6 | 134000 | 5,2 |
| GH 26804 ZP DS | 101,6 | 25,4 | 66,7 | 33,2 | 26,9 | 57 | 62 | 51 | 7,1/5,1 | 10,7 | 268000 | 14,2 |
| GH 26805 ZP DS | 127,0 | 25,4 | 66,7 | 33,2 | 26,9 | 57 | 62 | 51 | 7,1/5,1 | 10,7 | 268000 | 12,4 |
| GH 26806 ZP DS | 152,4 | 25,4 | 66,7 | 33,2 | 26,9 | 57 | 62 | 51 | 7,1/5,1 | 10,7 | 268000 | 11,2 |
| GH 26808 ZP DS | 203,2 | 25,4 | 66,7 | 33,2 | 26,9 | 57 | 62 | 51 | 7,1/5,1 | 10,7 | 268000 | 9,7 |



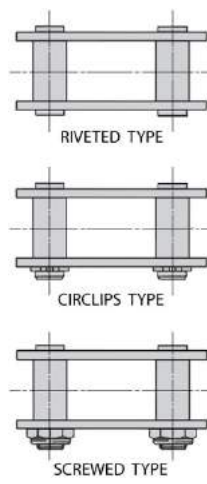
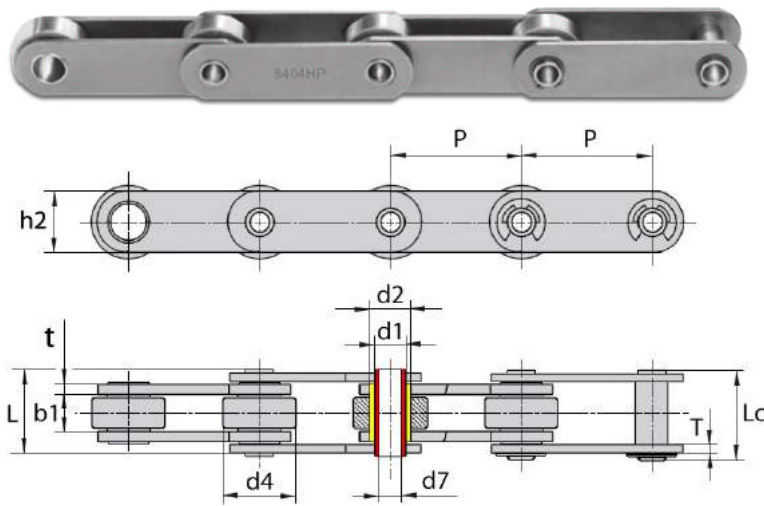


Hollow pin conveyor chains

Type - GH HP

CONVEYOR CHAINS

Hollow pin chain



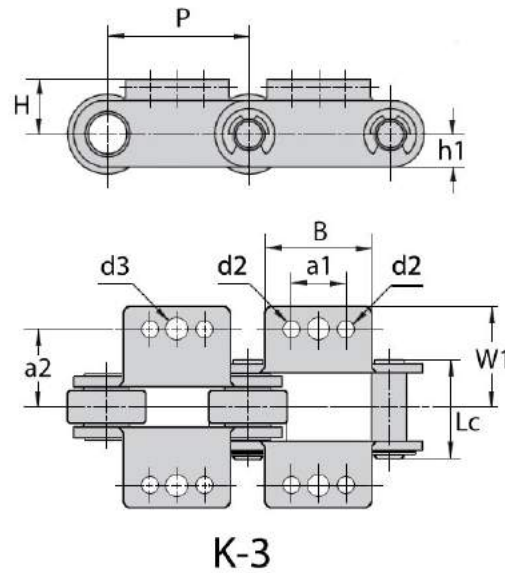
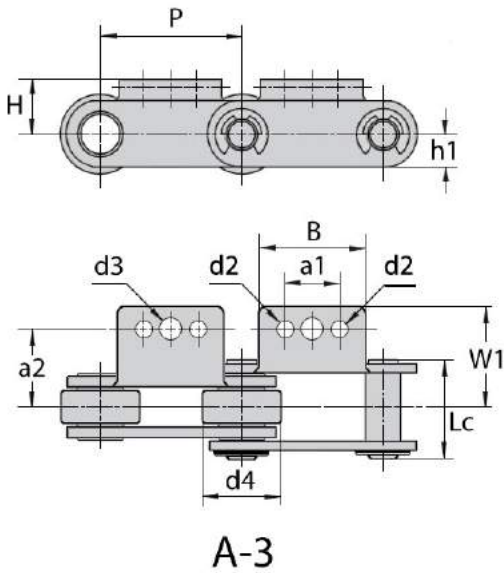
| Chain ref. | Pitch | Width between inner plates | Roller diameter | Bush diameter | Hollow pin outside | Hollow pin inside | Pin length | | Plate height | Plate thickness | Bearing surface | Tensile strength | Weight per meter |
|--------------------|-------|----------------------------|-----------------|---------------|--------------------|-------------------|------------|--------|--------------|-----------------|-----------------|--------------------|------------------|
| | | | | | | | L | Lc | | | | | |
| | | | | | | | max | max | | | | | |
| | p | b1 min | d4 max | d2 max | d1 max | d7 max. | L max | Lc max | h2 max | t/T max | f | F _s min | q |
| | mm | mm | mm | mm | mm | mm | mm | mm | mm | mm | cm ² | kN/LB | kg/m |
| GH 4202 HP ZP DS | 50,8 | 15 | 31,8 | 18 | 14 | 10,1 | 36,5 | 41 | 25,4 | 3,8/3,8 | 3,2 | 42000 | 3,5 |
| GH 4203 HP ZP DS | 76,2 | 15 | 31,8 | 18 | 14 | 10,1 | 36,5 | 41 | 25,4 | 3,8/3,8 | 3,2 | 42000 | 2,9 |
| GH 42035 HP ZP DS | 88,9 | 15 | 31,8 | 18 | 14 | 10,1 | 36,5 | 41 | 25,4 | 3,8/3,8 | 3,2 | 42000 | 2,7 |
| GH 4204 HP ZP DS | 101,6 | 15 | 31,8 | 18 | 14 | 10,1 | 36,5 | 41 | 25,4 | 3,8/3,8 | 3,2 | 42000 | 2,6 |
| GH 4205 HP ZP DS | 127,0 | 15 | 31,8 | 18 | 14 | 10,1 | 36,5 | 41 | 25,4 | 3,8/3,8 | 3,2 | 42000 | 2,4 |
| GH 4206 HP ZP DS | 152,4 | 15 | 31,8 | 18 | 14 | 10,1 | 36,5 | 41 | 25,4 | 3,8/3,8 | 3,2 | 42000 | 2,3 |
| GH 8403 HP ZP DS | 76,2 | 19 | 47,6 | 23,6 | 19 | 13,2 | 44 | 48 | 38,1 | 5,1/3,8 | 5,6 | 84000 | 6,9 |
| GH 84035 HP ZP DS | 88,9 | 19 | 47,6 | 23,6 | 19 | 13,2 | 44 | 48 | 38,1 | 5,1/3,8 | 5,6 | 84000 | 6,3 |
| GH 8404 HP ZP DS | 101,6 | 19 | 47,6 | 23,6 | 19 | 13,2 | 44 | 48 | 38,1 | 5,1/3,8 | 5,6 | 84000 | 5,9 |
| GH 8405 HP ZP DS | 127,0 | 19 | 47,6 | 23,6 | 19 | 13,2 | 44 | 48 | 38,1 | 5,1/3,8 | 5,6 | 84000 | 5,3 |
| GH 8406 HP ZP DS | 152,4 | 19 | 47,6 | 23,6 | 19 | 13,2 | 44 | 48 | 38,1 | 5,1/3,8 | 5,6 | 84000 | 4,9 |
| GH 21504 HP ZP DS | 101,6 | 25,4 | 66,7 | 33,2 | 26,9 | 20,1 | 57 | 62 | 51 | 7,1/5,1 | 10,7 | 215000 | 12,7 |
| GH 21505 HP ZP DS | 127,0 | 25,4 | 66,7 | 33,2 | 26,9 | 20,1 | 57 | 62 | 51 | 7,1/5,1 | 10,7 | 215000 | 11,2 |
| GH 21506 HP ZP DS | 152,4 | 25,4 | 66,7 | 33,2 | 26,9 | 20,1 | 57 | 62 | 51 | 7,1/5,1 | 10,7 | 215000 | 10,9 |
| GH 21506 HP ZP DSX | 152,4 | 25,4 | 66,7 | 33,2 | 26,9 | 20,1 | 57 | 62 | 51 | 9,0/8,0 | 10,7 | 225000 | 12,1 |
| GH 21508 HP ZP DS | 203,2 | 25,4 | 66,7 | 33,2 | 26,9 | 20,1 | 57 | 62 | 51 | 7,1/5,1 | 10,7 | 215000 | 8,9 |





Solid pin and hollow pin conveyor chains with attachments (British standard)

Solid pin and hollow pin chain



| Chain ref. | Pitch | Width between inner plates | Roller diameter | Attachment dimensions | | | | | | | | | | | |
|----------------|-------|----------------------------|-----------------|-----------------------|-----------|-----------|----------|-----------|-----------|-----------|-----------|-----------|-----------|----------|-----------|
| | | | | <i>P</i> | <i>b1</i> | <i>d4</i> | <i>B</i> | <i>d2</i> | <i>d3</i> | <i>a1</i> | <i>W1</i> | <i>a2</i> | <i>h1</i> | <i>H</i> | <i>Lc</i> |
| | | | | mm | mm | mm | mm | mm | mm | mm | mm | mm | mm | mm | mm |
| GH 6703 ZP DS | 76,2 | 15 | 31,8 | 43 | 9,2 | 10,5 | 22,2 | 38,1 | 57 | 12,7 | 19 | 41 | | | |
| GH 6704 ZP DS | 101,6 | 15 | 31,8 | 63,5 | 9,2 | 10,5 | 31,8 | 38,1 | 57 | 12,7 | 19 | 41 | | | |
| GH 6705 ZP DS | 127,0 | 15 | 31,8 | 89 | 9,2 | 10,5 | 57,2 | 38,1 | 57 | 12,7 | 19 | 41 | | | |
| GH 6706 ZP DS | 152,4 | 15 | 31,8 | 114 | 9,2 | 10,5 | 57,2 | 38,1 | 57 | 12,7 | 19 | 41 | | | |
| GH 13403 ZP DS | 76,2 | 19 | 47,6 | 63,5 | 10,5 | 13,7 | 31,8 | 44,5 | 68 | 19,1 | 31,8 | 48 | | | |
| GH 13404 ZP DS | 101,6 | 19 | 47,6 | 63,5 | 10,5 | 13,7 | 31,8 | 44,5 | 68 | 19,1 | 31,8 | 48 | | | |
| GH 13406 ZP DS | 152,4 | 19 | 47,6 | 114 | 10,5 | 13,7 | 57,2 | 44,5 | 68 | 19,1 | 31,8 | 48 | | | |
| GH 26804 ZPDS | 101,6 | 25,4 | 66,7 | 56 | 12,3 | 15,3 | 31,8 | 54 | 74 | 25,4 | 38,1 | 62 | | | |
| GH 26806 ZP DS | 152,4 | 25,4 | 66,7 | 107 | 12,3 | 15,3 | 57,2 | 54 | 74 | 25,4 | 38,1 | 62 | | | |

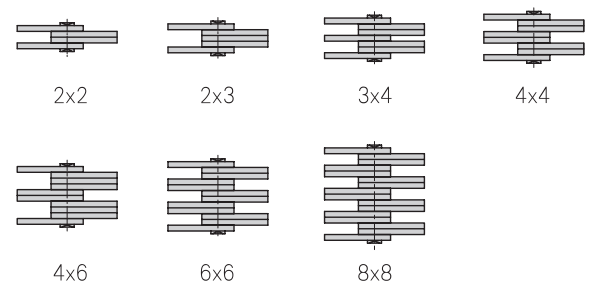
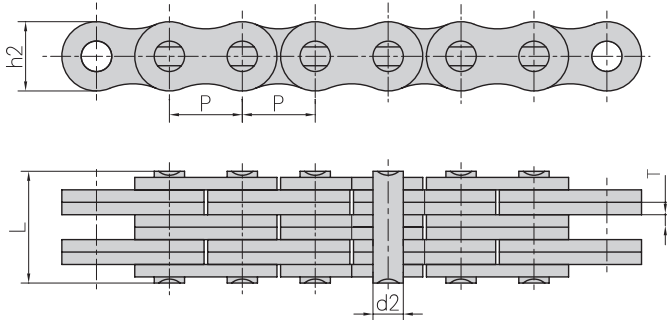




Leaf chains heavy series - DIN 8152

ANSI - American standard

ROLLER CHAINS

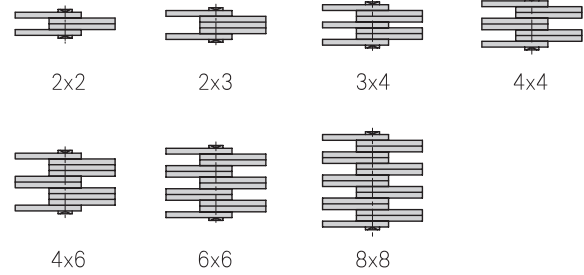
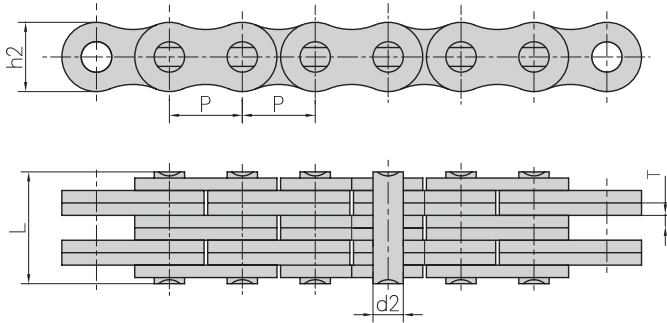


| DIN ref. | ANSI ref. | Pitch | Plate Lacing | Plate height | Plate thickness | Pin diameter | Pin length | Ultimate tensile strength | Average tensile strength | Weight per meter |
|----------|-----------|--------|--------------|--------------|-----------------|--------------|------------|---------------------------|--------------------------|------------------|
| | | P | | h2 max | T max | d2 max | L max | F _B min | F _{BA} | q |
| | | mm | | mm | mm | mm | mm | kN/LB | kN | kg/m |
| LH0822 | BL422 | 12,70 | 2 x 2 | 12,07 | 2,08 | 5,09 | 11,05 | 22,2/5045 | 27,6 | 0,64 |
| LH0823 | BL423 | | 2 x 3 | | | | 13,16 | 22,2/5045 | 27,6 | 0,80 |
| LH0834 | BL434 | | 3 x 4 | | | | 17,40 | 33,4/7591 | 41,4 | 1,12 |
| LH0844 | BL444 | | 4 x 4 | | | | 19,51 | 44,5/10114 | 56,0 | 1,28 |
| LH0846 | BL446 | | 4 x 6 | | | | 23,75 | 44,5/10114 | 56,0 | 1,60 |
| LH0866 | BL466 | | 6 x 6 | | | | 27,99 | 66,7/15159 | 81,7 | 1,92 |
| LH0888 | BL488 | | 8 x 8 | | | | 36,45 | 89,0/20227 | 109,4 | 2,56 |
| LH1022 | BL522 | 15,875 | 2 x 2 | 15,09 | 2,44 | 5,96 | 12,90 | 33,4/7591 | 43,1 | 0,88 |
| LH1023 | BL523 | | 2 x 3 | | | | 15,37 | 33,4/7591 | 43,1 | 1,10 |
| LH1034 | BL534 | | 3 x 4 | | | | 20,32 | 48,9/11114 | 65,6 | 1,50 |
| LH1044 | BL544 | | 4 x 4 | | | | 22,78 | 66,7/15159 | 84,5 | 1,80 |
| LH1046 | BL546 | | 4 x 6 | | | | 27,74 | 66,7/15159 | 84,5 | 2,20 |
| LH1066 | BL566 | | 6 x 6 | | | | 32,69 | 100,1/22750 | 125,1 | 2,65 |
| LH1088 | BL588 | | 8 x 8 | | | | 42,57 | 133,4/30318 | 169,5 | 3,50 |
| LH1222 | BL622 | 19,05 | 2 x 2 | 18,11 | 3,30 | 7,94 | 17,37 | 48,9/11114 | 63,6 | 1,45 |
| LH1223 | BL623 | | 2 x 3 | | | | 20,73 | 48,9/11114 | 63,6 | 1,80 |
| LH1234 | BL634 | | 3 x 4 | | | | 27,43 | 75,6/17181 | 102,8 | 2,50 |
| LH1244 | BL644 | | 4 x 4 | | | | 30,78 | 97,9/22250 | 120,9 | 2,90 |
| LH1246 | BL646 | | 4 x 6 | | | | 37,49 | 97,9/22250 | 120,9 | 3,60 |
| LH1266 | BL666 | | 6 x 6 | | | | 44,20 | 146,8/33364 | 190,8 | 4,30 |
| LH1288 | BL688 | | 8 x 8 | | | | 57,61 | 195,7/44477 | 238,8 | 5,80 |
| LH1622 | BL822 | 25,40 | 2 x 2 | 24,13 | 4,09 | 9,54 | 21,34 | 84,5/19204 | 108,2 | 2,20 |
| LH1623 | BL823 | | 2 x 3 | | | | 25,48 | 84,5/19204 | 108,2 | 2,70 |
| LH1634 | BL834 | | 3 x 4 | | | | 33,76 | 129,0/29318 | 170,0 | 3,80 |
| LH1644 | BL844 | | 4 x 4 | | | | 37,90 | 169,0/38409 | 214,6 | 4,30 |
| LH1646 | BL846 | | 4 x 6 | | | | 46,18 | 169,0/38409 | 214,6 | 5,40 |
| LH1666 | BL866 | | 6 x 6 | | | | 54,46 | 253,6/57636 | 324,5 | 6,50 |
| LH1688 | BL888 | | 8 x 8 | | | | 71,02 | 338,1/76841 | 432,7 | 8,60 |



Leaf chains heavy series - DIN 8152

ANSI - American standard



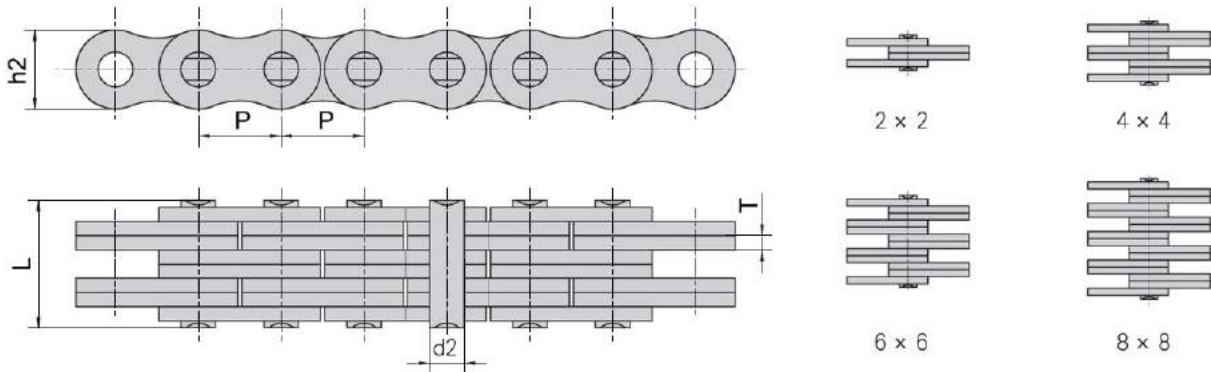
| DIN ref. | ANSI ref. | Pitch | Plate Lacing | Plate height | Plate thickness | Pin diameter | Pin length | Ultimate | Average | Weight |
|----------|-----------|-------|--------------|--------------|-----------------|--------------|------------|------------------|------------------|--------|
| | | | | | | | | tensile strength | tensile strength | |
| | | | | | | | | F_{Bmin} | F_{BA} | |
| | | P | | $h2_{max}$ | T_{max} | $d2_{max}$ | L_{max} | kN/LB | kN | q |
| | | mm | | mm | mm | mm | mm | | | kg/m |
| LH2022 | BL1022 | 31,75 | 2 x 2 | 30,18 | 4,9 | 11,11 | 25,37 | 115,6/26272 | 150,8 | 3,4 |
| LH2023 | BL1023 | | 2 x 3 | | | | 30,33 | 115,6/26272 | 150,8 | 4,3 |
| LH2034 | BL1034 | | 3 x 4 | | | | 40,23 | 182,4/41454 | 231,6 | 6,0 |
| LH2044 | BL1044 | | 4 x 4 | | | | 45,19 | 231,3/52568 | 291,4 | 6,9 |
| LH2046 | BL1046 | | 4 x 6 | | | | 55,09 | 231,3/52568 | 291,4 | 8,6 |
| LH2066 | BL1066 | | 6 x 6 | | | | 65,00 | 347,0/78863 | 430,3 | 10,3 |
| LH2088 | BL1088 | | 8 x 8 | | | | 84,81 | 462,6/105136 | 555,1 | 13,8 |
| LH2422 | BL1222 | | 38,10 | | | | 2 x 2 | 36,20 | 5,77 | 12,71 |
| LH2423 | BL1223 | 2 x 3 | | 35,43 | 151,2/34363 | 192,0 | 5,8 | | | |
| LH2434 | BL1234 | 3 x 4 | | 47,07 | 244,6/55591 | 315,9 | 8,1 | | | |
| LH2444 | BL1244 | 4 x 4 | | 52,88 | 302,5/68750 | 381,1 | 9,3 | | | |
| LH2446 | BL1246 | 4 x 6 | | 64,52 | 302,5/68750 | 381,1 | 11,6 | | | |
| LH2466 | BL1266 | 6 x 6 | | 76,15 | 453,7/103113 | 543,6 | 13,9 | | | |
| LH2488 | BL1288 | 8 x 8 | | 99,42 | 605,0/137500 | 726,0 | 18,6 | | | |
| LH2822 | BL1422 | 44,45 | | 2 x 2 | 42,24 | 6,55 | 14,29 | | | |
| LH2823 | BL1423 | | 2 x 3 | 40,16 | | | | 191,3/43477 | 225,7 | 7,6 |
| LH2834 | BL1434 | | 3 x 4 | 53,37 | | | | 315,8/71772 | 372,6 | 10,6 |
| LH2844 | BL1444 | | 4 x 4 | 59,97 | | | | 382,6/86954 | 451,2 | 12,2 |
| LH2846 | BL1446 | | 4 x 6 | 73,18 | | | | 382,6/86954 | 451,2 | 15,2 |
| LH2866 | BL1466 | | 6 x 6 | 86,39 | | | | 578,3/131431 | 682,4 | 18,2 |
| LH2888 | BL1488 | | 8 x 8 | 112,80 | | | | 765,1/173886 | 902,8 | 24,3 |
| LH3222 | BL1622 | | 50,80 | 2 x 2 | | | | 48,26 | 7,52 | 17,46 |
| LH3223 | BL1623 | 2 x 3 | | 46,58 | 289,1/65704 | 341,1 | 10,0 | | | |
| LH3234 | BL1634 | 3 x 4 | | 61,72 | 440,4/100091 | 519,6 | 14,0 | | | |
| LH3244 | BL1644 | 4 x 4 | | 69,29 | 573,8/131431 | 680,4 | 16,0 | | | |
| LH3246 | BL1646 | 4 x 6 | | 84,43 | 578,3/131431 | 680,4 | 20,0 | | | |
| LH3266 | BL1666 | 6 x 6 | | 99,57 | 857,4/194863 | 1000,7 | 24,0 | | | |
| LH3288 | BL1688 | 8 x 8 | | 129,84 | 1156,5/262841 | 1364,6 | 32,0 | | | |
| LH4022 | BL2022 | 63,50 | | 2 x 2 | 60,33 | 9,91 | 23,81 | | | |
| LH4023 | BL2023 | | 2 x 3 | 61,70 | | | | 433,7/98568 | 511,7 | 19,8 |
| LH4034 | BL2034 | | 3 x 4 | 81,61 | | | | 649,4/147590 | 766,2 | 27,7 |
| LH4044 | BL2044 | | 4 x 4 | 91,57 | | | | 867,4/197163 | 1023,5 | 31,6 |
| LH4046 | BL2046 | | 4 x 6 | 111,48 | | | | 867,4/197163 | 1023,5 | 39,5 |
| LH4066 | BL2066 | | 6 x 6 | 131,39 | | | | 1301,1/295704 | 1535,2 | 47,4 |
| LH4088 | BL2088 | | 8 x 8 | 171,22 | | | | 1734,8/394272 | 2046,5 | 63,2 |



Leaf chains light series - DIN 8152

European standard

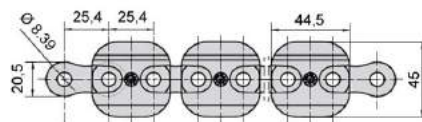
ROLLER CHAINS



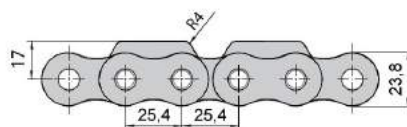
| DIN ref. | Pitch | Plate Lacing | Plate height | Plate thickness | Pin diameter | Pin length | Ultimate tensile strength | Average tensile strength | Weight per meter |
|----------|--------|--------------|--------------|-----------------|--------------|------------|---------------------------|--------------------------|------------------|
| | P | | h2 max | T max | d2 max | L max | F _B min | F _{BA} | q |
| | mm | | mm | mm | mm | mm | kN/LB | kN | kg/m |
| LL0822 | 12,70 | 2 x 2 | 10,6 | 1,60 | 4,45 | 8,9 | 18,2/4094 | 20,4 | 0,42 |
| LL0844 | | 4 x 4 | | | | 15,6 | 36,4/8188 | 40,7 | 0,84 |
| LL0866 | | 6 x 6 | | | | 22,0 | 54,6/12283 | 60,0 | 1,24 |
| LL0888 | | 8 x 8 | | | | 28,5 | 72,8/16378 | 80,0 | 1,64 |
| LL1022 | 15,875 | 2 x 2 | 13,7 | 1,60 | 5,08 | 9,2 | 22,7/5107 | 25,5 | 0,54 |
| LL1044 | | 4 x 4 | | | | 15,8 | 45,4/10213 | 51,0 | 1,06 |
| LL1066 | | 6 x 6 | | | | 22,1 | 68,1/15321 | 76,3 | 1,57 |
| LL1088 | | 8 x 8 | | | | 28,8 | 90,8/20427 | 101,9 | 2,10 |
| LL1222 | 19,05 | 2 x 2 | 16,0 | 1,85 | 5,72 | 10,4 | 29,5/6637 | 33,2 | 0,73 |
| LL1244 | | 4 x 4 | | | | 17,9 | 59,0/13273 | 66,4 | 1,44 |
| LL1266 | | 6 x 6 | | | | 25,4 | 88,5/19910 | 99,7 | 2,15 |
| LL1288 | | 8 x 8 | | | | 32,9 | 118,0/26547 | 132,9 | 2,84 |

Special leaf chains with tube guides

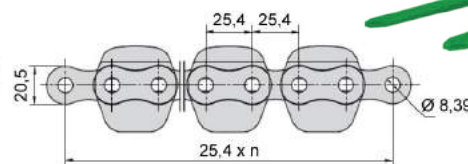
Type LL1644 KS103



Type BL866 KS104



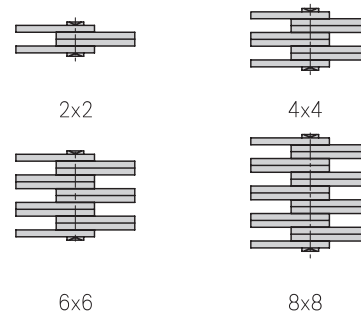
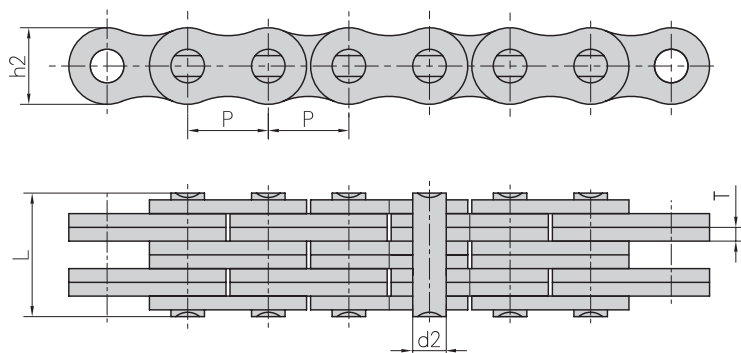
Type LL1666 KS106



Other types also available of special leaf chains with tube guides.

Leaf chains light series - DIN 8152

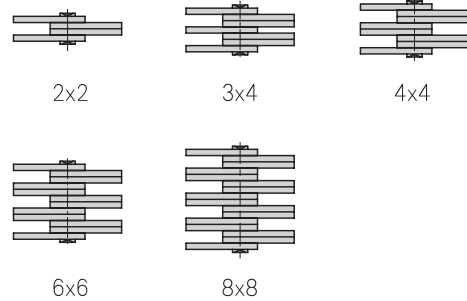
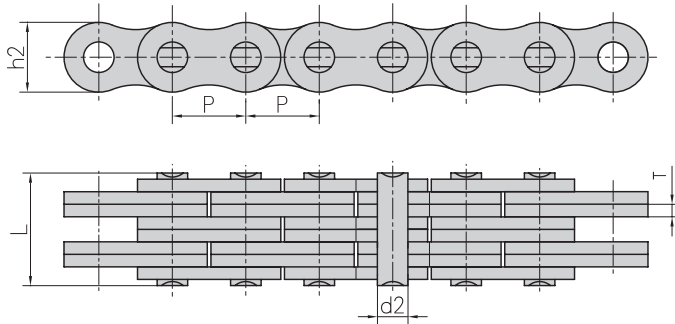
European standard




| DIN ref. | Pitch | Plate Lacing | Plate height | Plate thickness | Pin diameter | Pin length | Ultimate tensile strength | Average tensile strength | Weight per meter |
|----------|-------|--------------|--------------|-----------------|--------------|------------|---------------------------|--------------------------|------------------|
| | P | | h2 max | T max | d2 max | L max | F _{B min} | F _{BA} | q |
| | mm | | mm | mm | mm | mm | kN/LB | kN | kg/m |
| LL1622 | 25,40 | 2 x 2 | 21,00 | 3,1 | 8,28 | 17,2 | 58,0/13181 | 69,5 | 1,78 |
| LL1644 | | 4 x 4 | | | | 29,6 | 116,0/26363 | 140,0 | 2,90 |
| LL1666 | | 6 x 6 | | | | 42,4 | 174,0/39545 | 208,8 | 4,30 |
| LL1688 | | 8 x 8 | | | | 54,9 | 232,0/52726 | 278,0 | 5,71 |
| LL2022 | 31,75 | 2 x 2 | 26,40 | 3,5 | 10,19 | 20,1 | 95,0/21591 | 109,2 | 2,33 |
| LL2044 | | 4 x 4 | | | | 33,8 | 190,0/43182 | 218,5 | 4,40 |
| LL2066 | | 6 x 6 | | | | 50,1 | 285,0/64773 | 324,6 | 6,79 |
| LL2088 | | 8 x 8 | | | | 64,0 | 380,0/86363 | 435,1 | 8,90 |
| LL2422 | 38,10 | 2 x 2 | 33,40 | 5,0 | 14,63 | 28,4 | 170,0/38363 | 195,5 | 4,47 |
| LL2444 | | 4 x 4 | | | | 46,3 | 340,0/77273 | 380,8 | 8,22 |
| LL2466 | | 6 x 6 | | | | 66,4 | 510,0/115909 | 571,2 | 12,22 |
| LL2488 | | 8 x 8 | | | | 86,6 | 680,0/154545 | 775,2 | 16,30 |
| LL2822 | 44,45 | 2 x 2 | 37,08 | 6,0 | 15,90 | 32,2 | 200,0/45455 | 224,0 | 5,10 |
| LL2844 | | 4 x 4 | | | | 56,4 | 400,0/90909 | 448,0 | 9,90 |
| LL2866 | | 6 x 6 | | | | 80,8 | 600,0/136363 | 672,0 | 14,60 |
| LL2888 | | 8 x 8 | | | | 105,2 | 800,0/181818 | 896,0 | 19,40 |
| LL3222 | 50,80 | 2 x 2 | 42,0 | 6,4 | 17,81 | 34,8 | 260,0/59091 | 291,2 | 6,20 |
| LL3244 | | 4 x 4 | | | | 60,6 | 520,0/118182 | 582,4 | 12,30 |
| LL3266 | | 6 x 6 | | | | 86,4 | 780,0/177272 | 873,6 | 18,30 |
| LL3288 | | 8 x 8 | | | | 112,2 | 1040,0/233970 | 1176,0 | 24,00 |
| LL4022 | 63,50 | 2 x 2 | 52,76 | 8,0 | 22,89 | 42,2 | 360,0/81818 | 403,2 | 10,30 |
| LL4044 | | 4 x 4 | | | | 74,4 | 780,0/177273 | 873,6 | 20,00 |
| LL4066 | | 6 x 6 | | | | 106,5 | 1080,0/245454 | 1209,6 | 30,00 |
| LL4088 | | 8 x 8 | | | | 140,0 | 1440,0/323959 | 1747,2 | 39,10 |
| LL4822 | 76,20 | 2 x 2 | 63,88 | 10,0 | 29,24 | 54,6 | 560,0/127272 | 627,2 | 18,50 |
| LL4844 | | 4 x 4 | | | | 92,6 | 1120,0/254545 | 1554,4 | 35,70 |
| LL4866 | | 6 x 6 | | | | 133,4 | 1680,0/377953 | 1880,0 | 53,00 |
| LL4888 | | 8 x 8 | | | | 174,2 | 2240,0/509091 | 2508,8 | 70,40 |



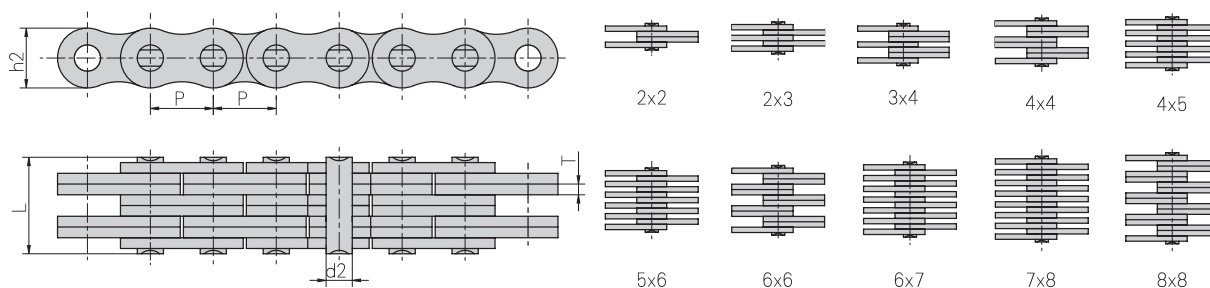
Leaf chains AL series



| ANSI ref. | Pitch | Plate Lacing | Plate height | Plate thickness | Pin diameter | Pin length | Ultimate tensile strength | Average tensile strength | Weight per meter |
|---|--------|--------------|-----------------------|-----------------|-----------------------|------------|---------------------------|--------------------------|------------------|
|  | P | | h ₂ max | T max | d ₂ max | L max | F _B min | F _{BA} | q |
| | mm | | mm | mm | mm | mm | kN/LB | kN | kg/m |
| AL322 | 9,525 | 2 X 2 | 7,7 | 1,30 | 3,58 | 6,8 | 9,0/2045 | 10,2 | 0,23 |
| AL344 | | 4 X 4 | | | | 11,6 | 18,0/4090 | 20,0 | 0,46 |
| AL422 | 12,70 | 2 X 2 | 10,4 | 1,50 | 3,96 | 8,3 | 14,1/3205 | 16,9 | 0,39 |
| AL444 | | 4 X 4 | | | | 14,4 | 28,2/6409 | 35,2 | 0,74 |
| AL466 | | 6 X 6 | | | | 20,5 | 42,3/9614 | 52,7 | 1,13 |
| AL522 | 15,875 | 2 X 2 | 12,8 | 2,03 | 5,08 | 11,1 | 22,0/5000 | 27,5 | 0,64 |
| AL534 | | 3 X 4 | | | | 17,0 | 33,0/7500 | 46,0 | 1,10 |
| AL544 | | 4 X 4 | | | | 19,4 | 44,0/10000 | 55,0 | 1,25 |
| AL566 | | 6 X 6 | | | | 27,5 | 66,0/15000 | 82,5 | 1,79 |
| AL622 | 19,05 | 2 X 2 | 15,6 | 2,42 | 5,94 | 13,0 | 37,0/8409 | 44,4 | 0,86 |
| AL644 | | 4 X 4 | | | | 22,7 | 63,7/14450 | 78,8 | 1,76 |
| AL666 | | 6 X 6 | | | | 32,2 | 100,1/22750 | 118,6 | 2,60 |
| AL688 | | 8 X 8 | | | | 42,2 | 133,4/30317 | 156,6 | 3,49 |
| AL822 | 25,40 | 2 X 2 | 20,5 | 3,25 | 7,92 | 16,0 | 56,7/12886 | 68,6 | 1,54 |
| AL844 | | 4 X 4 | | | | 29,4 | 113,4/25773 | 135,6 | 3,00 |
| AL866 | | 6 X 6 | | | | 44,2 | 170,0/38636 | 202,3 | 4,46 |
| AL1022 | 31,75 | 2 X 2 | 25,6 | 4,00 | 9,53 | 19,6 | 88,5/20114 | 107,1 | 2,37 |
| AL1044 | | 4 X 4 | | | | 36,4 | 177,0/40227 | 203,6 | 4,68 |
| AL1066 | | 6 X 6 | | | | 52,3 | 265,0/60227 | 315,3 | 7,20 |
| AL1088 | | 8 X 8 | | | | 68,5 | 354,0/80454 | 421,2 | 9,94 |
| AL1222 | 38,10 | 2 X 2 | 30,5 | 4,80 | 11,10 | 24,3 | 127,0/28864 | 151,1 | 3,65 |
| AL1244 | | 4 X 4 | | | | 43,8 | 254,0/57727 | 299,7 | 7,05 |
| AL1266 | | 6 X 6 | | | | 63,2 | 381,0/86591 | 426,3 | 10,50 |
| AL1288 | | 8 X 8 | | | | 82,6 | 508,0/11545 | 568,4 | 14,03 |
| AL1444 | 44,45 | 4 X 4 | 36,4 | 5,60 | 12,64 | 51,3 | 372,7/84705 | 413,6 | 10,34 |
| AL1466 | | 6 X 6 | | | | 74,6 | 559,0/127045 | 620,4 | 15,16 |
| AL1644 | 50,80 | 4 X 4 | 41,6 | 6,40 | 14,21 | 58,0 | 471,0/107045 | 522,8 | 12,98 |
| AL1666 | | 6 X 6 | | | | 83,8 | 706,0/160454 | 783,6 | 19,76 |
| AL1688 | | 8 X 8 | | | | 109,5 | 942,0/214090 | 1045,5 | 25,47 |



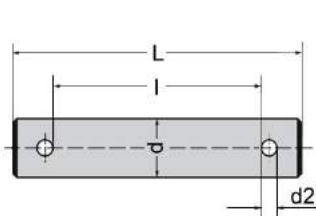
Leaf chains FL and FLC series



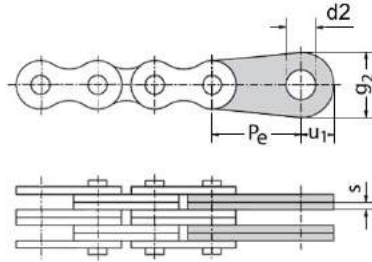
| Chain no. | Pitch | Plate Lacing | Plate height | Plate thickness | Pin diameter | Pin length | Ultimate tensile strength | Average tensile strength | Weight per meter |
|-----------|--------|--------------|--------------|-----------------|--------------|------------|---------------------------|--------------------------|------------------|
| | P | | h2 max | T max | d2 max | L max | F _B min. | F _{BA} | q |
| | mm | | mm | mm | mm | mm | kN/LB | kN | kg/m |
| FL644 | 5,94 | 4 X 4 | 4,7 | 0,60 | 1,85 | 6,6 | 6,5/1477 | 7,8 | 0,13 |
| FL666 | 5,94 | 6 X 6 | 4,7 | 0,60 | 1,85 | 9,3 | 9,75/2216 | 11,8 | 0,20 |
| FL688 | 5,94 | 8 X 8 | 4,7 | 0,60 | 1,85 | 12,0 | 13,0/2955 | 15,6 | 0,25 |
| FL844 | 8,00 | 4 X 4 | 6,9 | 0,73 | 2,31 | 7,9 | 10,0/2273 | 12,1 | 0,25 |
| FL944 | 9,525 | 4 X 4 | 8,7 | 1,04 | 3,28 | 10,4 | 21,0/4773 | 24,7 | 0,43 |
| FL966 | 9,525 | 6 X 6 | 8,7 | 1,00 | 3,28 | 14,9 | 31,0/7045 | 36,8 | 0,65 |
| F122 | 12,70 | 2 X 2 | 8,2 | 1,00 | 3,58 | 7,0 | 11,43/2598 | 13,6 | 0,19 |
| F1223 | 12,70 | 2 X 3 | 10,2 | 2,03 | 4,45 | 12,8 | 20,0/4545 | 23,8 | 0,61 |
| FL1244 | 12,70 | 4 X 4 | 10,2 | 1,70 | 4,45 | 16,7 | 44,0/10000 | 52,3 | 0,83 |
| F19V- 44 | 19,05 | 4 X 4 | 15,2 | 2,42 | 6,5 | 22,4 | 71,0/16136 | 84,3 | 1,73 |
| F19V- 66 | 19,05 | 6 X 6 | 15,2 | 2,42 | 6,5 | 32,3 | 106,0/24090 | 125,9 | 2,57 |
| FLC534 | 15,875 | 3 X 4 | 12,7 | 1,85 | 5,08 | 15,3 | 40,4/9181 | 44,4 | 0,99 |
| FLC545 | 15,875 | 4 X 5 | 12,7 | 1,85 | 5,08 | 19,2 | 54,3/12340 | 59,7 | 1,27 |
| FLC556 | 15,875 | 5 X 6 | 12,7 | 1,85 | 5,08 | 22,7 | 67,6/15363 | 74,3 | 1,54 |
| FLC1056 | 31,75 | 5 X 6 | 25,4 | 3,25 | 9,53 | 40,6 | 137,9/31340 | 151,0 | 5,44 |
| FLC1067 | 31,75 | 6 X 7 | 25,4 | 3,25 | 9,53 | 47,2 | 165,4/37590 | 181,9 | 6,42 |
| FLC1078 | 31,75 | 7 X 8 | 25,4 | 3,25 | 9,53 | 53,8 | 193,0/43863 | 212,0 | 7,40 |



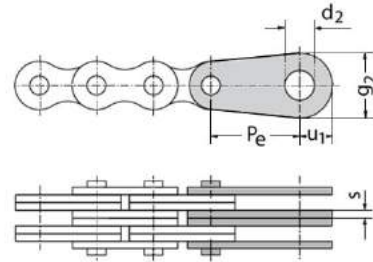
Connecting Pins for Fastening Leaf Chains and Endplates (Pear Drop) as Inner or Outer Link



All pins are fitted with 2 cotters and - from BL 1234 and F 38 upwards - with 2 additional washers.



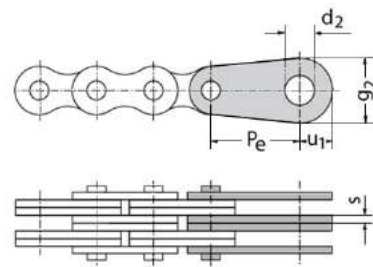
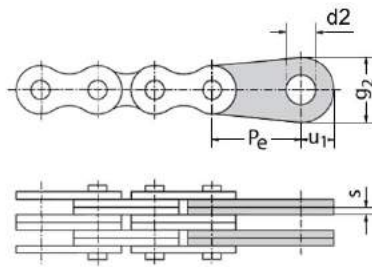
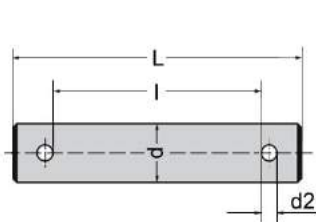
Type IEG



Type AEG

| Ref. | ISODIN | Pitch | Dimensions | | | | Endplates (Pear Drop) | | | | | | |
|-------------|----------|--------|------------|----------|-------|------|-----------------------|----------------|----|-------|------|------|----|
| | | | P | l | L | d | d2 | Ref. IEG / AEG | Pe | d2A11 | g2 | s | u1 |
| | | | mm | mm | mm | mm | mm | | mm | mm | mm | mm | mm |
| F 12-22 CP | LL 0822 | | 6,9 | 13,2 | | | F 12-22 | | | | | | |
| F 12-44 CP | LL 0844 | 12,70 | 16,0 | 22,2 | 4,45 | 1,60 | F 12-44 | 15 | 6 | 16,0 | 1,7 | 10,0 | |
| F 12-66 CP | LL 0866 | | 23,0 | 29,2 | | | F 12-66 | | | | | | |
| F 15-22 CP | LL 1022 | 15,875 | 7,0 | 13,5 | 5,08 | 1,60 | F 15-22 | 20 | 8 | 18,0 | 1,5 | 11,0 | |
| F 15-44 CP | LL 1044 | | 15,0 | 21,1 | | | F 15-44 | | | | | | |
| F 15-66 CP | LL 1066 | | 22,0 | 28,2 | | | F 15-66 | | | | | | |
| F 15-88 CP | LL 1088 | | 28,0 | 34,2 | | | F 15-88 | | | | | | |
| F 19-22 CP | LL 1222 | 19,05 | 7,7 | 13,9 | 5,72 | 2,00 | F 19-22 | 30 | 10 | 20,0 | 1,9 | 12,0 | |
| F 19-44 CP | LL 1244 | | 17,6 | 25,5 | | | F 19-44 | | | | | | |
| F 19-66 CP | LL 1266 | | 24,7 | 32,7 | | | F 19-66 | | | | | | |
| F 19-88 CP | LL 1288 | | 32,2 | 40,2 | | | F 19-88 | | | | | | |
| F 19-44V CP | LL 1244V | | 23,0 | 30,2 | 6,50 | 2,00 | F 19-44V | 25 | 10 | 19,8 | 2,35 | 11,2 | |
| F 19-66V CP | LL 1266V | 33,0 | 40,3 | F 19-66V | | | | | | | | | |
| F 25-22 CP | LL 1622 | 25,40 | 13,8 | 24,1 | 8,28 | 3,20 | F 25-22 | 30 | 12 | 25,0 | 3,0 | 15,0 | |
| F 25-44 CP | LL 1644 | | 28,0 | 38,7 | | | F 25-44 | | | | | | |
| F 25-66 CP | LL 1666 | | 41,0 | 51,7 | | | F 25-66 | | | | | | |
| F 25-88 CP | LL 1688 | | 54,0 | 64,7 | | | F 25-88 | | | | | | |
| F 31-22 CP | LL 2022 | 31,75 | 15,3 | 26,1 | 10,19 | 3,20 | F 31-22 | 50 | 18 | 40,0 | 3,5 | 25,0 | |
| F 31-44 CP | LL 2044 | | 33,0 | 43,7 | | | F 31-44 | | | | | | |
| F 31-66 CP | LL 2066 | | 47,0 | 57,7 | | | F 31-66 | | | | | | |
| F 31-88 CP | LL 2088 | | 62,0 | 72,7 | | | F 31-88 | | | | | | |
| F 38-22 CP | LL 2422 | 38,10 | 21,8 | 34,1 | 14,63 | 4,00 | F 38-22 | 65 | 24 | 50,0 | 5,0 | 29,0 | |
| F 38-44 CP | LL 2444 | | 48,2 | 60,6 | | | F 38-44 | | | | | | |
| F 38-66 CP | LL 2466 | | 69,2 | 81,6 | | | F 38-66 | | | | | | |
| F 38-88 CP | LL 2488 | | 90,2 | 102,3 | | | F 38-88 | | | | | | |
| F 44-22 CP | LL 2822 | 44,45 | 29,7 | 42,1 | 15,90 | 4,00 | F 44-22 | 80 | 28 | 60,0 | 6,0 | 32,0 | |
| F 44-44 CP | LL 2844 | | 55,0 | 67,5 | | | F 44-44 | | | | | | |
| F 44-66 CP | LL 2866 | | 80,2 | 92,7 | | | F 44-66 | | | | | | |
| F 44-88 CP | LL 2888 | | 106,0 | 118,5 | | | F 44-88 | | | | | | |
| F 50-22 CP | LL 3222 | 50,80 | 34,4 | 51,9 | 17,81 | 5,00 | F 50-22 | 90 | 32 | 70,0 | 6,3 | 43,0 | |
| F 50-44 CP | LL 3244 | | 59,9 | 77,5 | | | F 50-44 | | | | | | |
| F 50-66 CP | LL 3266 | | 86,4 | 104,0 | | | F 50-66 | | | | | | |
| F 50-88 CP | LL 3288 | | 113,9 | 131,5 | | | F 50-88 | | | | | | |
| F 63-22 CP | LL 4022 | 63,50 | 39,9 | 60,8 | 22,89 | 6,30 | F 63-22 | 100 | 38 | 80,0 | 8,0 | 46,5 | |
| F 63-44 CP | LL 4044 | | 73,3 | 94,3 | | | F 63-44 | | | | | | |
| F 63-66 CP | LL 4066 | | 106,6 | 127,6 | | | F 63-66 | | | | | | |
| F 63-88 CP | LL 4088 | | 140,1 | 161,1 | | | F 63-88 | | | | | | |


Connecting Pins for Fastening Leaf Chains and Endplates (Pear Drop) as Inner or Outer Link



All pins are fitted with 2 cotters and - from BL 1234 and F 38 upwards - with 2 additional washers.

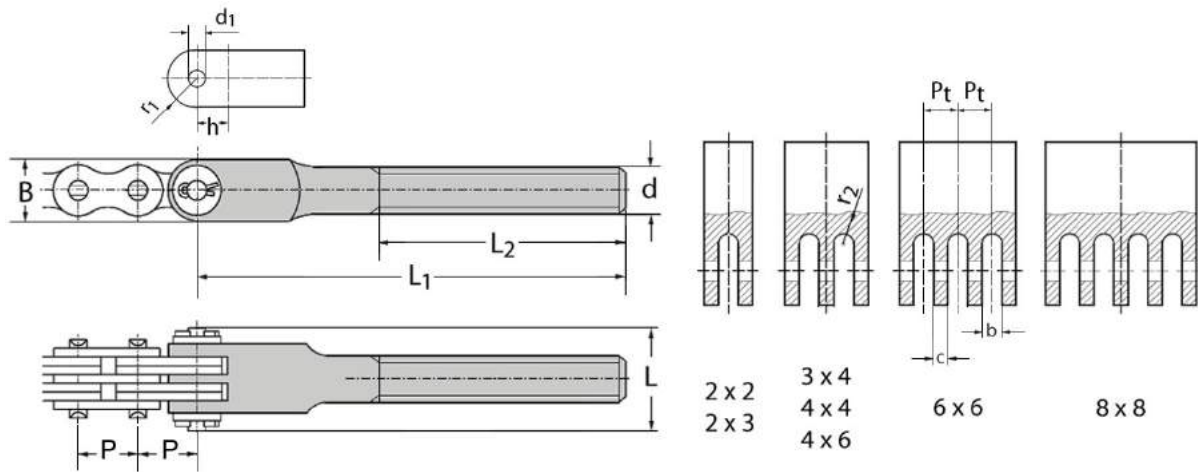
Type IEG

Type AEG

| Ref.  | Pitch | Dimensions | | | | Endplates (Pear Drop) | | | | | | | | | | | | | | |
|---|--------|------------|-------|-------|-------|-----------------------|----|-------|------|-----|------|------|-------|-----|---------|----|----|------|-----|------|
| | P | l | L | d | d2 | Ref. IEG / AEG | Pe | d2A11 | g2 | s | u1 | | | | | | | | | |
| | mm | mm | mm | mm | mm | | mm | mm | mm | mm | mm | | | | | | | | | |
| BL 422 CP / AL 522 CP | 12,70 | 10,8 | 17,0 | 5,08 | 1,6 | | | | | | | | | | | | | | | |
| BL 423 CP | | 12,7 | 18,9 | | | | | | | | | | | | | | | | | |
| BL 434 CP | | 17,0 | 23,2 | | | | | | | | | | | | | | | | | |
| BL 444 CP / AL 544 CP | | 19,0 | 25,2 | | | | | | | | | | | | | | | | | |
| BL 446 CP | | 23,0 | 29,2 | | | | | | | | | | | | | | | | | |
| BL 466 CP / AL 566 CP | | 27,0 | 33,3 | | | | | | | | | | | | | | | | | |
| BL 488 CP / AL 588 CP | | 35,5 | 41,8 | | | | | | | | | | | | | | | | | |
| BL 522 CP | 15,875 | 12,8 | 19,4 | 5,94 | 2,0 | AL 622 | 25 | 10 | 19,8 | 2,4 | 11,2 | | | | | | | | | |
| BL 523 CP | | 15,0 | 21,6 | | | | | | | | | | | | | | | | | |
| BL 534 CP | | 20,0 | 26,6 | | | | | | | | | | | | | | | | | |
| BL 544 CP / AL 644 CP | | 22,5 | 29,1 | | | | | | | | | | | | | | | | | |
| BL 546 CP | | 27,0 | 33,7 | | | | | | | | | | | | | | | | | |
| BL 566 CP / AL 666 CP | | 32,0 | 38,7 | | | | | | | | | | | | | | | | | |
| BL 588 CP / AL 688 CP | | 42,4 | 49,3 | | | | | | | | | | | | | | | | | |
| BL 623 | 19,05 | 20,0 | 30,7 | 7,92 | 3,2 | | | | | | | | | | | | | | | |
| BL 634 | | 27,0 | 37,7 | | | | | | | | | | | | | | | | | |
| BL 644 / AL 844 | | 30,0 | 40,7 | | | | | | | | | | | | | | | | | |
| BL 646 | | 37,0 | 47,7 | | | | | | | | | | | | | | | | | |
| BL 666 / AL 866 | | 43,0 | 53,7 | | | | | | | | | | | | | | | | | |
| BL 688 / AL 888 | | 56,5 | 67,2 | | | | | | | | | | | | | | | | | |
| BL 822 | | 25,40 | 21,7 | | | | | | | | | 32,4 | 9,53 | 3,2 | AL 1022 | 40 | 14 | 30,0 | 4,0 | 18,0 |
| BL 823 | 25,0 | | 35,7 | | | | | | | | | | | | | | | | | |
| BL 834 | 33,0 | | 43,7 | | | | | | | | | | | | | | | | | |
| BL 844 / AL 1044 | 37,0 | | 47,7 | | | | | | | | | | | | | | | | | |
| BL 846 | 46,0 | | 56,7 | | | | | | | | | | | | | | | | | |
| BL 866 / AL 1066 | 53,0 | | 63,7 | | | | | | | | | | | | | | | | | |
| BL 888 / AL 1088 | 69,5 | | 80,3 | | | | | | | | | | | | | | | | | |
| BL 1023 | 31,75 | 30,0 | 42,4 | 11,10 | 4,0 | | | | | | | | | | | | | | | |
| BL 1034 | | 39,2 | 51,6 | | | | | | | | | | | | | | | | | |
| BL 1044 / AL 1244 | | 44,2 | 56,6 | | | | | | | | | | | | | | | | | |
| BL 1046 | | 54,2 | 66,6 | | | | | | | | | | | | | | | | | |
| BL 1066 / AL 1266 | | 63,2 | 75,6 | | | | | | | | | | | | | | | | | |
| BL 1088 / AL 1288 | | 79,9 | 92,4 | | | | | | | | | | | | | | | | | |
| BL 1223 | | 38,10 | 34,5 | | | | | | | | | 46,9 | 12,70 | 4,0 | | | | | | |
| BL 1234 | 46,2 | | 58,6 | | | | | | | | | | | | | | | | | |
| BL 1244 / AL 1444 | 50,0 | | 64,4 | | | | | | | | | | | | | | | | | |
| BL 1246 | 63,5 | | 76,0 | | | | | | | | | | | | | | | | | |
| BL 1266 / AL 1466 | 75,3 | | 87,8 | | | | | | | | | | | | | | | | | |
| BL 1288 / AL 1488 | 98,6 | | 111,1 | | | | | | | | | | | | | | | | | |
| BL 1423 | 44,45 | | 38,7 | 51,1 | 14,27 | 4,0 | | | | | | | | | | | | | | |
| BL 1434 | | 52,2 | 64,6 | | | | | | | | | | | | | | | | | |
| BL 1444 | | 58,6 | 71,1 | | | | | | | | | | | | | | | | | |
| BL 1446 | | 71,7 | 84,2 | | | | | | | | | | | | | | | | | |
| BL 1466 | | 85,1 | 97,7 | | | | | | | | | | | | | | | | | |
| BL 1623 | | 50,80 | 43,1 | 60,6 | | | | | | | | | 17,46 | 5,0 | | | | | | |
| BL 1634 | | | 58,0 | 75,5 | | | | | | | | | | | | | | | | |
| BL 1644 | 65,7 | | 82,9 | | | | | | | | | | | | | | | | | |
| BL 1646 | 79,9 | | 97,4 | | | | | | | | | | | | | | | | | |
| BL 1666 | 94,6 | | 112,2 | | | | | | | | | | | | | | | | | |
| BL 1688 | 124,0 | | 141,6 | | | | | | | | | | | | | | | | | |



Fastening Blocks and Lacings for Leaf Chains



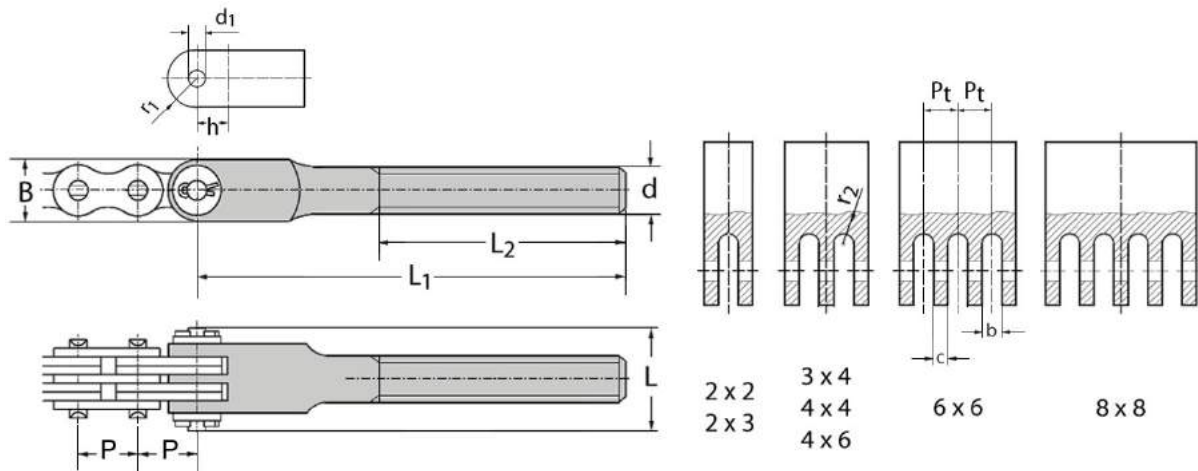
| Fastening Block ref. | Fastening Block Dimensions | | | | | | | | | | | | | |
|----------------------|----------------------------|----------|---------|-------|-------|---------|-------|--------|-------|------|-------|-------|---------|---------|
| | P | ISO DIN | Ref. | b | c | Pt | d1 | h min. | r1 | r2 | B | L1 | L2 | d |
| | mm | | | mm | mm | mm | mm | mm | mm | mm | mm | mm | mm | mm |
| F 12-22 FB-120 | 12,70 | LL 0822 | F 12-22 | 3,50 | 3,00 | 6,76 | 4,46 | 7,30 | 6,50 | 1,70 | 20 | 160 | 120 | M14x1,0 |
| F 12-44 FB-120 | | LL 0844 | F 12-44 | | | | | | | | 20 | 160 | 120 | M14x1,0 |
| F 12-66 FB-140 | | LL 0866 | F 12-66 | | | | | | | | 20 | 172 | 140 | M14x1,0 |
| F 15-22 FB-140 | 15,875 | LL 1022 | F 15-22 | 3,50 | 3,00 | 6,76 | 5,10 | 8,50 | 8,00 | 1,70 | 20 | 172 | 140 | M14x1,0 |
| F 15-44 FB-140 | | LL 1044 | F 15-44 | | | | | | | | 20 | 172 | 140 | M16X1,5 |
| F 15-66 FB-140 | | LL 1066 | F 15-66 | | | | | | | | 20 | 172 | 140 | M16X1,5 |
| F 15-88 FB-140 | | LL 1088 | F 15-88 | | | | | | | | 20 | 172 | 140 | M16X1,5 |
| F 19-22 FB-120 | | LL 1222 | F 19-22 | | | | | | | | 4,10 | 3,60 | 7,76 | 5,73 |
| F 19-44 FB-130 | LL 1244 | F 19-44 | 25 | 170 | 130 | M16X1,5 | | | | | | | | |
| F 19-66 FB-160 | LL 1266 | F 19-66 | 25 | 200 | 160 | M16X1,5 | | | | | | | | |
| F 19-88 FB-160 | LL 1288 | F 19-88 | 25 | 200 | 160 | M16X1,5 | | | | | | | | |
| F 19-44V FB-130 | LL 1244V | F 19-44V | 5,20 | 4,70 | 10,10 | 6,60 | 10,00 | 10,50 | 2,00 | 25 | | | | |
| F 19-66V FB-160 | LL 1266V | F 19-66V | | | | | | | | 25 | 200 | 160 | M16X1,5 | |
| F 25-22 FB-140 | LL 1622 | F 25-22 | | | | | | | | 25 | 178 | 140 | M20X1,5 | |
| F 25-44 FB-190 | 25,40 | LL 1644 | F 25-44 | 6,70 | 6,20 | 13,00 | 8,30 | 13,50 | 13,00 | 3,00 | 25 | 230 | 190 | M20X1,5 |
| F 25-66 FB-145 | | LL 1666 | F 25-66 | | | | | | | | 25 | 178 | 145 | M20X1,5 |
| F 25-88 FB-200 | | LL 1688 | F 25-88 | | | | | | | | 25 | 240 | 200 | M20X1,5 |
| F 31-22 FB-140 | | LL 2022 | F 31-22 | | | | | | | | 30 | 190 | 140 | M24X2,0 |
| F 31-44 FB-140 | 31,75 | LL 2044 | F 31-44 | 7,50 | 7,00 | 15,00 | 10,20 | 17,00 | 16,50 | 3,50 | 30 | 190 | 140 | M24X2,0 |
| F 31-66 FB-165 | | LL 2066 | F 31-66 | | | | | | | | 30 | 230 | 165 | M30X2,0 |
| F 31-88 FB-200 | | LL 2088 | F 31-88 | | | | | | | | 30 | 250 | 200 | M30X2,0 |
| F 38-22 FB-160 | 38,10 | LL 2422 | F 38-22 | 11,00 | 10,00 | 21,00 | 14,70 | 22,00 | 20,00 | 5,00 | 40 | 230 | 160 | M30X2,0 |
| F 38-44 FB-160 | | LL 2444 | F 38-44 | | | | | | | | 40 | 230 | 160 | M30X2,0 |
| F 38-66 FB-180 | | LL 2466 | F 38-66 | | | | | | | | 40 | 250 | 180 | M36X2,0 |
| F 38-88 FB-200 | | LL 2488 | F 38-88 | | | | | | | | 40 | 280 | 200 | M36X2,0 |
| F 44-22 FB-90 | 44,45 | LL 2822 | F 44-22 | 13,00 | 12,00 | 26,00 | 16,00 | 25,00 | 24,00 | 6,00 | 45 | 200 | 90 | M36X2,0 |
| F 44-44 FB-90 | | LL 2844 | F 44-44 | | | | | | | | 45 | 200 | 90 | M36X2,0 |
| F 44-66 FB-160 | | LL 2866 | F 44-66 | | | | | | | | 45 | 250 | 160 | M36X2,0 |
| F 44-88 FB-160 | | LL 2888 | F 44-88 | | | | | | | | 45 | 250 | 160 | M36X2,0 |
| F 50-22 FB-180 | | LL 3222 | F 50-22 | | | | | | | | 13,60 | 12,60 | 26,00 | 17,90 |
| F 50-44 FB-180 | LL 3244 | F 50-44 | 50 | 255 | 180 | M36X2,0 | | | | | | | | |
| F 50-66 FB-200 | LL 3266 | F 50-66 | 50 | 375 | 200 | M36X2,0 | | | | | | | | |
| F 50-88 FB-200 | LL 3288 | F 50-88 | 50 | 375 | 200 | M36X2,0 | | | | | | | | |

Fastening Blocks with other dimensions can also be produced on request.

Material 42CrMo4 (Black Phosphated against corrosion please add "BP")



Fastening Blocks and Lacings for Leaf Chains LH (BL) - AL



| Fastening Block ref. | Fastening Block Dimensions | | | | | | | | | | | | | |
|----------------------|----------------------------|---------|---------|-------|------|-------|------|--------|-------|-----|----|-----|-----|---------|
| | P | ISO DIN | Ref. | b | c | Pt | d1 | h min. | r1 | r2 | B | L1 | L2 | d |
| | mm | | | mm | mm | mm | mm | mm | mm | mm | mm | mm | mm | mm |
| BL 422 FB-75 | 12,70 | LH 0822 | AL 522 | 4,20 | | | 5,10 | 9,00 | 6,50 | 2,0 | 20 | 110 | 75 | M12x1,0 |
| BL 423 FB-75 | | LH 0823 | | 6,40 | | | | | | 3,0 | 20 | 110 | 75 | M12x1,0 |
| BL 434 FB-75 | | LH 0834 | | 4,20 | 2,00 | 6,35 | | | | 2,0 | 20 | 110 | 75 | M12x1,0 |
| BL 444 FB-75 | | LH 0844 | AL 544 | 4,20 | 4,00 | 8,47 | | | | 2,0 | 20 | 150 | 120 | M14x1,0 |
| BL 446 FB-120 | | LH 0846 | | 6,40 | 4,00 | 10,59 | | | | 3,0 | 20 | 150 | 120 | M14x1,0 |
| BL 466 FB-120 | | LH 0866 | AL 566 | 4,20 | 4,00 | 8,47 | | | | 2,0 | 20 | 150 | 120 | M14x1,0 |
| BL 488 FB-120 | | LH 0888 | AL 588 | 4,20 | 4,00 | 8,47 | | | | 2,0 | 20 | 150 | 120 | M14x1,0 |
| BL 522 FB-140 | 15,8 | LH 1022 | AL 622 | 5,00 | | | 6,00 | 11,00 | 8,00 | 2,0 | 20 | 172 | 140 | M14x1,0 |
| BL 523 FB-140 | | LH 1023 | | 7,75 | | | | | | 3,0 | 20 | 172 | 140 | M14x1,0 |
| BL 534 FB-140 | | LH 1034 | | 5,00 | 2,40 | 7,55 | | | | 2,0 | 20 | 172 | 140 | M16x1,5 |
| BL 544 FB-140 | | LH 1044 | AL 644 | 5,00 | 4,80 | 10,07 | | | | 2,0 | 20 | 172 | 140 | M16x1,5 |
| BL 546 FB-140 | | LH 1046 | | 7,75 | 4,80 | 12,59 | | | | 3,0 | 20 | 172 | 140 | M16x1,5 |
| BL 566 FB-140 | | LH 1066 | AL 666 | 5,00 | 4,80 | 10,07 | | | | 2,0 | 20 | 172 | 140 | M16x1,5 |
| BL 588 FB-140 | | LH 1088 | AL 688 | 5,00 | 4,80 | 10,07 | | | | 2,0 | 20 | 172 | 140 | M16x1,5 |
| BL 622 FB-140 | 19,05 | LH 1222 | AL 822 | 6,80 | | | 8,00 | 14,00 | 9,50 | 3,0 | 25 | 178 | 140 | M20x1,5 |
| BL 623 FB-140 | | LH 1223 | | 10,30 | | | | | | 4,0 | 25 | 178 | 140 | M20x1,5 |
| BL 634 FB-140 | | LH 1234 | | 6,80 | 3,20 | 10,05 | | | | 3,0 | 25 | 178 | 140 | M20x1,5 |
| BL 644 FB-140 | | LH 1244 | AL 844 | 6,80 | 6,40 | 13,40 | | | | 3,0 | 25 | 178 | 140 | M20x1,5 |
| BL 646 FB-140 | | LH 1246 | | 10,30 | 6,40 | 16,75 | | | | 4,0 | 25 | 178 | 140 | M20x1,5 |
| BL 666 FB-140 | | LH 1266 | AL 866 | 6,80 | 6,40 | 13,40 | | | | 3,0 | 25 | 178 | 140 | M20x1,5 |
| BL 688 FB-140 | | LH 1288 | AL 888 | 6,80 | 6,40 | 13,40 | | | | 3,0 | 25 | 178 | 140 | M20x1,5 |
| BL 822 FB-140 | 25,40 | LH 1622 | AL 1022 | 8,00 | | | 9,60 | 18,00 | 12,50 | 4,0 | 25 | 178 | 140 | M20x1,5 |
| BL 823 FB-140 | | LH 1623 | | 12,70 | | | | | | 5,5 | 25 | 178 | 140 | M20x1,5 |
| BL 834 FB-140 | | LH 1634 | | 8,00 | 4,00 | 12,42 | | | | 4,0 | 25 | 178 | 140 | M20x1,5 |
| BL 844 FB-140 | | LH 1644 | AL 1044 | 8,00 | 8,00 | 16,56 | | | | 4,0 | 25 | 178 | 140 | M20x1,5 |
| BL 846 FB-130 | | LH 1646 | | 12,70 | 8,00 | 20,70 | | | | 5,5 | 25 | 175 | 130 | M20x1,5 |
| BL 866 FB-140 | | LH 1666 | AL 1066 | 8,00 | 8,00 | 16,56 | | | | 4,0 | 25 | 178 | 140 | M20x1,5 |
| BL 888 FB-140 | | LH 1688 | AL 1088 | 8,00 | 8,00 | 16,56 | | | | 4,0 | 25 | 178 | 140 | M20x1,5 |

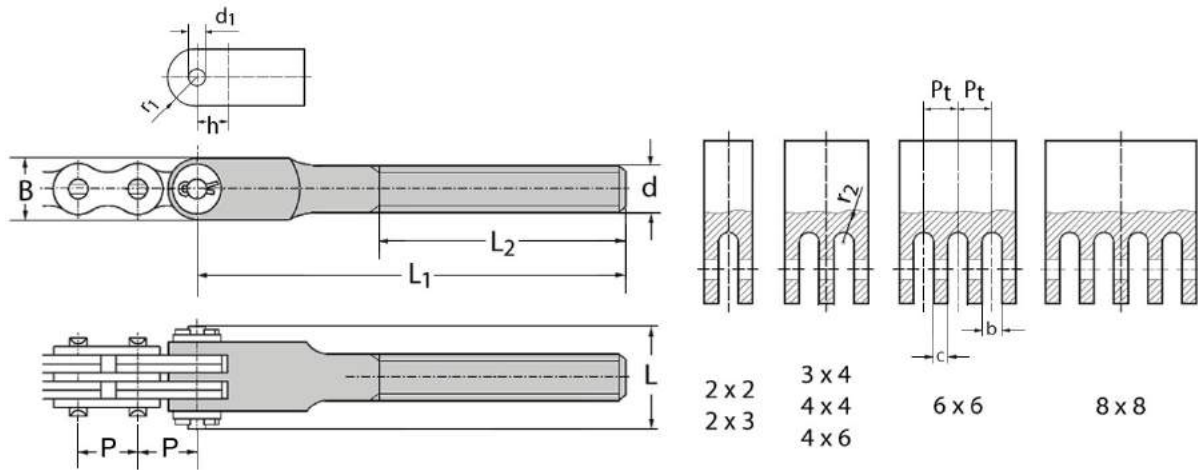
Fastening Blocks with other dimensions can also be produced on request.

Material 42CrMo4 (Black Phosphated against corrosion please add "BP")



Fastening Blocks and Lacings for Leaf Chains

ROLLER CHAINS



| Fastening Block ref. | Fastening Block Dimensions | | | | | | | | | | | | | |
|----------------------|----------------------------|---------|---------|-------|-------|-------|-------|--------|-------|-------|-------|-------|---------|---------|
| | P | ISO DIN | Ref. | b | c | Pt | d1 | h min. | r1 | r2 | B | L1 | L2 | d |
| | mm | | | mm | mm | mm | mm | mm | mm | mm | mm | mm | mm | mm |
| BL 1022 FB-140 | 31,75 | LH 2022 | AL 1222 | 10,00 | | | 11,14 | 16,00 | 15,88 | 5,0 | 32 | 200 | 140 | M24X2,0 |
| BL 1023 FB-180 | | LH 2023 | | 15,10 | | | | | | 7,0 | 32 | 240 | 180 | M24X2,0 |
| BL 1034 FB-140 | | LH 2034 | | 10,00 | 4,70 | 14,86 | | | | 5,0 | 32 | 200 | 140 | M24X2,0 |
| BL 1044 FB-150 | | LH 2044 | AL 1244 | 10,00 | 9,40 | 19,80 | | | | 5,0 | 32 | 200 | 150 | M24X2,0 |
| BL 1046 FB-140 | | LH 2046 | | 15,10 | 9,40 | 24,75 | | | | 7,0 | 32 | 200 | 140 | M24X2,0 |
| BL 1066 FB-165 | | LH 2066 | AL 1266 | 10,00 | 9,40 | 19,80 | | | | 5,0 | 32 | 230 | 165 | M30X2,0 |
| BL 1088 FB-200 | | LH 2088 | AL 1288 | 10,00 | 9,40 | 19,80 | | | | 5,0 | 32 | 250 | 200 | M30X2,0 |
| BL 1222 FB-160 | | LH 2422 | AL 1422 | 11,80 | | | | | | 12,74 | 19,00 | 19,05 | 5,0 | 40 |
| BL 1223 FB-160 | LH 2423 | | 17,70 | | | 8,0 | 40 | 230 | 160 | | | | M30X2,0 | |
| BL 1234 FB-160 | LH 2434 | | 11,80 | 5,50 | 17,45 | 5,0 | 40 | 230 | 160 | | | | M30X2,0 | |
| BL 1244 FB-160 | LH 2444 | AL 1444 | 11,80 | 11,00 | 23,28 | 5,0 | 40 | 230 | 160 | | | | M30X2,0 | |
| BL 1246 FB-180 | LH 2446 | | 17,70 | 11,00 | 29,10 | 8,0 | 40 | 250 | 180 | | | | M30X2,0 | |
| BL 1266 FB-180 | LH 2466 | AL 1466 | 11,80 | 11,00 | 23,28 | 5,0 | 40 | 250 | 180 | | | | M30X2,0 | |
| BL 1288 FB-180 | LH 2488 | AL 1488 | 11,80 | 11,00 | 23,28 | 5,0 | 40 | 250 | 180 | | | | M30X2,0 | |
| BL 1422 FB-165 | LH 2822 | | 13,40 | | | 14,31 | 22,00 | 22,23 | 6,0 | | | | 50 | 235 |
| BL 1423 FB-165 | LH 2823 | | 20,10 | | | | | | 10,0 | 50 | 235 | 165 | M36X2,0 | |
| BL 1434 FB-180 | LH 2834 | | 13,40 | 6,30 | 19,95 | | | | 6,0 | 50 | 250 | 180 | M36X2,0 | |
| BL 1444 FB-180 | LH 2844 | AL 1644 | 13,40 | 12,60 | 26,60 | | | | 10,0 | 50 | 250 | 180 | M36X2,0 | |
| BL 1446 FB-180 | LH 2846 | | 20,10 | 12,60 | 33,25 | | | | 6,0 | 50 | 250 | 180 | M36X2,0 | |
| BL 1466 FB-210 | LH 2866 | AL 1666 | 13,40 | 12,60 | 26,60 | | | | 10,0 | 50 | 280 | 210 | M36X2,0 | |
| BL 1488 FB-210 | LH 2888 | AL 1688 | 13,40 | 12,60 | 26,60 | | | | 10,0 | 50 | 280 | 210 | M36X2,0 | |
| BL 1622 FB-200 | LH 3222 | | 15,00 | | | | | | 17,49 | 26,00 | 25,40 | 7,0 | 55 | 270 |
| BL 1623 FB-200 | LH 3223 | | 22,50 | | | 10,0 | 55 | 270 | | | | 200 | M45x2,0 | |
| BL 1634 FB-200 | LH 3234 | | 15,00 | 7,10 | 22,71 | 7,0 | 55 | 270 | | | | 200 | M45x2,0 | |
| BL 1644 FB-230 | LH 3244 | | 15,00 | 14,20 | 30,28 | 7,0 | 55 | 300 | | | | 230 | M45x2,0 | |
| BL 1646 FB-230 | LH 3246 | | 22,50 | 14,20 | 37,85 | 10,0 | 55 | 300 | | | | 230 | M45x2,0 | |
| BL 1666 FB-230 | LH 3266 | | 15,00 | 14,20 | 30,28 | 7,00 | 55 | 300 | | | | 230 | M45x2,0 | |
| BL 1688 FB-230 | LH 3288 | | 15,00 | 14,20 | 30,28 | 7,00 | 55 | 300 | | | | 230 | M45x2,0 | |

Fastening Blocks with other dimensions can also be produced on request.

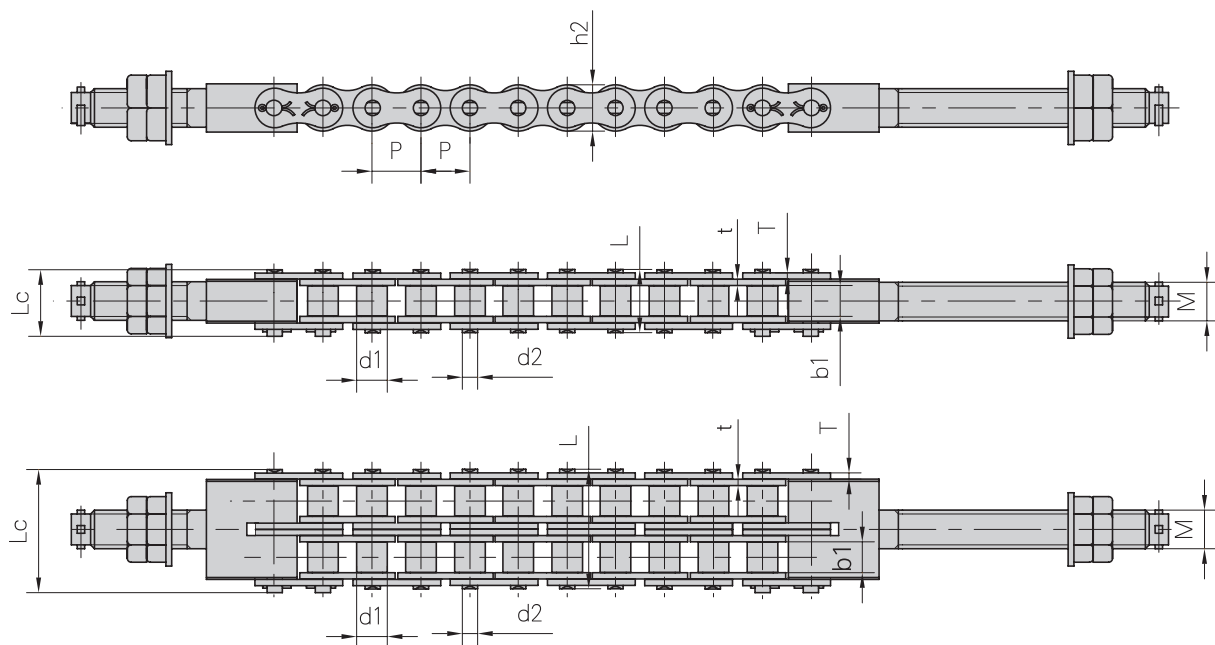
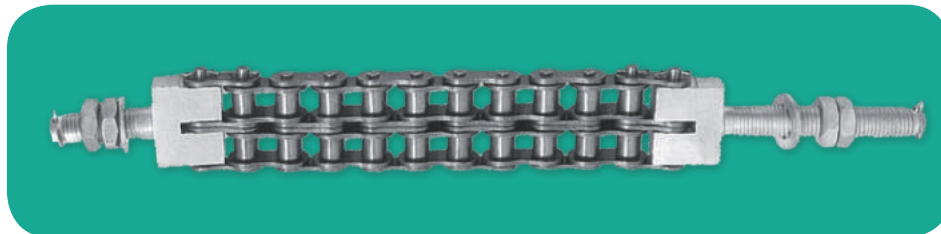
Material 42CrMo4 (Black Phosphated against corrosion please add "BP")



Tightener bolts and blocks for roller chains

DIN 8187 / DIN 8188

Simplex & Duplex

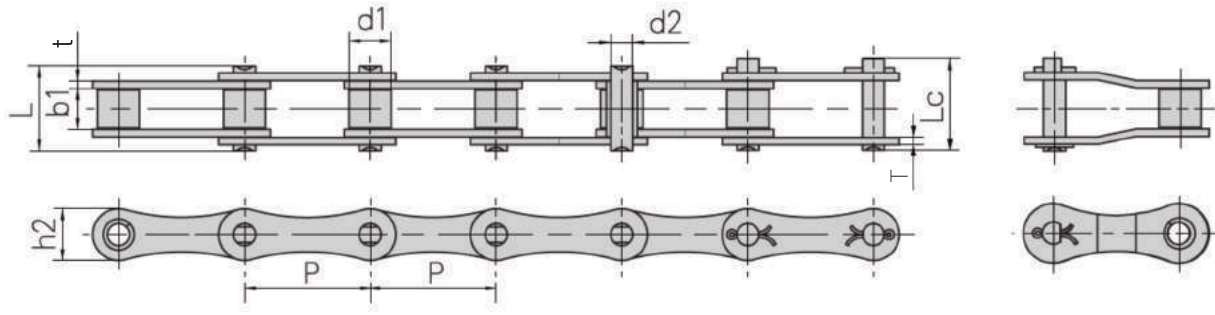


| Chain no. | Pitch | Roller diameter | Width between inner plates | Pin diameter | Pin length | | Inner plate height | Plate thickness | Bolt type | Ultimate tensile strength | Average tensile strength | Weight per meter |
|---|-------|-----------------|----------------------------|--------------|------------|--------|--------------------|-----------------|-----------|---------------------------|--------------------------|------------------|
|  | P | d1 max | b1 min | d2 max | L max | Lc max | h2 max | t/T max | M | F _B min | F _{BA} | q |
| | mm | mm | mm | mm | mm | mm | mm | mm | mm | kN/LB | kN | kg/m |
| 16ALT-1 | 25,40 | 15,88 | 15,75 | 7,92 | 32,7 | 36,5 | 24,0 | 3,25 | M20 | 71,55/16261 | 81,8 | 2,60 |
| 16ALT-2 | 25,40 | 15,88 | 15,75 | 7,92 | 62,7 | 65,8 | 24,0 | 3,25 | M20 | 143,10/32523 | 166,3 | 5,15 |
| 20ALT-1 | 31,75 | 19,05 | 18,90 | 9,53 | 40,4 | 44,7 | 30,0 | 4,00 | M24 | 107,85/24511 | 118,6 | 3,91 |
| 20ALT-2 | 31,75 | 19,05 | 18,90 | 9,53 | 76,4 | 80,5 | 30,0 | 4,00 | M24 | 215,70/49023 | 234,4 | 7,80 |
| 20ALT-3 | 31,75 | 19,05 | 18,90 | 9,53 | 112,2 | 116,3 | 30,0 | 4,00 | M24 | 323,55/73534 | 351,6 | 11,77 |
| 24ALT-1 | 38,10 | 22,23 | 25,22 | 11,10 | 50,3 | 54,3 | 35,7 | 4,80 | M30 | 149,20/330909 | 161,1 | 5,62 |
| 24ALT-2 | 38,10 | 22,23 | 25,22 | 11,10 | 95,8 | 99,7 | 35,7 | 4,80 | M30 | 298,40/67818 | 322,2 | 11,70 |



Agriculture chains type S - DIN 8189

ROLLER CHAINS



| Chain ref. | Pitch | Roller diameter | Width between inner plates | Pin diameter | Pin length | | Inner plate height | Plate thickness | Ultimate tensile strength | Average tensile strength | Weight per meter |
|------------|-------|-----------------|----------------------------|--------------|------------|--------|--------------------|-----------------|---------------------------|--------------------------|------------------|
| | P | d1 max | b1 min | d2 max | L max | Lc max | h2 max | t/T max | F _B min | F _{BA} min | q |
| | mm | mm | mm | mm | mm | mm | mm | mm | kN/LB | kN | kg/m |
| S32 | 29,21 | 11,43 | 15,88 | 4,45 | 26,7 | 28,80 | 13,20 | 1,8 | 8,0/1818 | 21,6 | 0,86 |
| S32V | 29,21 | 11,43 | 15,88 | 5,08 | 27,3 | 29,70 | 13,50 | 2,1 | 15,0/5680 | 27,0 | 0,96 |
| S42 | 34,93 | 14,27 | 19,05 | 7,00 | 34,3 | 37,00 | 19,80 | 2,8 | 27,0/6136 | 50,8 | 1,60 |
| S45 | 41,40 | 15,24 | 22,23 | 5,72 | 37,7 | 40,40 | 17,30 | 2,8 | 18,0/4091 | 36,1 | 1,66 |
| S45H | 41,40 | 15,24 | 22,23 | 7,14 | 39,5 | 42,20 | 17,30 | 3,0 | 36,7/8267 | 45,0 | 2,00 |
| S51 | 38,10 | 15,24 | 16,00 | 5,72 | 30,9 | 33,80 | 17,30 | 2,8 | 28,0/6364 | 30,8 | 1,48 |
| S52L | 38,10 | 15,24 | 16,40 | 5,72 | 30,9 | 33,80 | 16,50 | 2,5 | 29,2/6636 | 32,2 | 1,36 |
| S52F10 | 38,10 | 14,00 | 22,00 | 6,92 | 36,5 | 39,10 | 18,20 | 2,5 | 23,5/5283 | 28,2 | 1,60 |
| S52 | 38,10 | 15,24 | 22,23 | 5,72 | 37,7 | 40,40 | 17,30 | 2,8 | 18,0/4091 | 36,1 | 1,68 |
| S52LV | 38,10 | 15,88 | 17,80 | 6,94 | 33,8 | 37,00 | 16,70 | 3,0 | 30,0/6818 | 32,5 | 1,58 |
| S55 | 41,40 | 17,78 | 22,23 | 5,72 | 37,7 | 40,40 | 17,30 | 2,8 | 18,0/4091 | 36,1 | 1,80 |
| S55F9 | 41,40 | 17,78 | 22,23 | 7,14 | 37,0 | 39,70 | 19,80 | 2,9 | 35,0/7873 | 36,1 | 2,70 |
| S55H | 41,40 | 17,78 | 22,23 | 8,28 | 39,6 | 42,20 | 20,40 | 3,0 | 45,0/10122 | 50,0 | 2,90 |
| S55R | 41,40 | 17,78 | 22,23 | 8,90 | 41,0 | 44,00 | 22,40 | 3,5 | 45,0/10227 | 73,1 | 2,49 |
| S55RH | 41,40 | 17,78 | 22,23 | 8,90 | 43,2 | 46,40 | 22,40 | 4,0 | 65,0/14772 | 84,5 | 2,74 |
| S5V | 41,40 | 17,90 | 22,23 | 8,22 | 39,3 | 42,40 | 20,00 | 3,0 | 42,0/9546 | 45,0 | 2,22 |
| S55RH 25 | 41,40 | 25,00 | 22,23 | 8,90 | 43,2 | 46,40 | 22,40 | 4,0 | 65,0/14772 | 84,5 | 4,01 |
| S62 | 41,91 | 19,05 | 26,20 | 5,72 | 40,3 | 43,00 | 17,30 | 2,5 | 26,7/6067 | 36,1 | 1,87 |
| S62F10 | 41,91 | 19,05 | 25,40 | 5,72 | 39,4 | 42,20 | 17,30 | 2,5 | 26,7/6067 | 36,1 | 2,04 |
| S62R | 41,91 | 19,05 | 25,80 | 8,50 | 41,9 | 44,60 | 20,10 | 2,8 | 42,00/9546 | 45,0 | 2,43 |
| S62F8 | 41,91 | 19,05 | 27,90 | 10,00 | 44,9 | 49,30 | 25,00 | 3,0 | 45,0/10227 | 60,0 | 2,96 |
| S77 | 58,34 | 18,26 | 22,23 | 8,90 | 43,2 | 46,40 | 26,20 | 4,0 | 45,0/10227 | 73,1 | 2,66 |
| S88 | 66,27 | 22,86 | 28,58 | 8,90 | 49,8 | 53,00 | 26,20 | 4,0 | 45,0/10227 | 73,1 | 3,25 |

Standard execution zinc plated.



RCL - Riveting Connecting Link



CCL - Cottered Connecting Link



WCL - Wired Connecting Link



OL - Offset Link

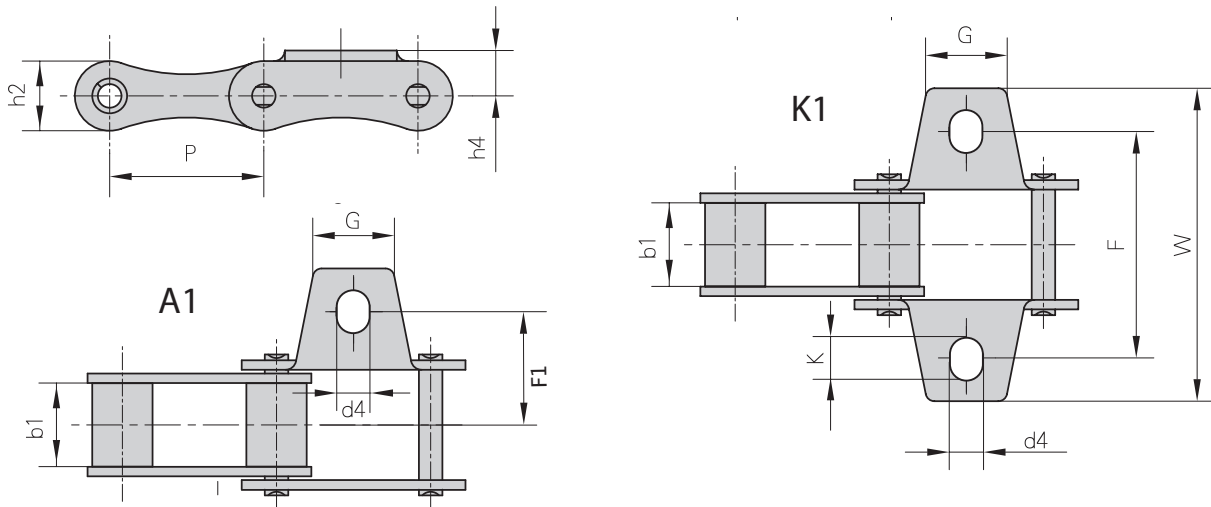


RL - Roller Link



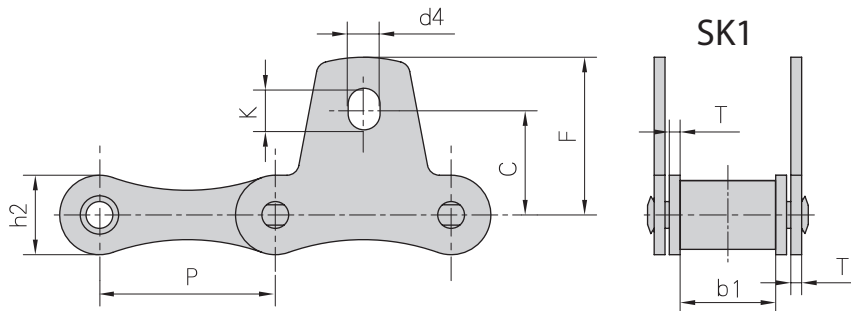
Agriculture chains type S - DIN 8189

ROLLER CHAINS



| Chain ref. | Dimensions | | | | | | | | | |
|------------|------------|-------|------|------|------|-------|------|-----|------|------|
| | P | b1 | G | F | F1 | W | h4 | d4 | K | h2 |
| | mm | mm | mm | mm | mm | mm | mm | mm | mm | mm |
| S32 A1/K1 | 29,21 | 15,88 | 15,0 | 42,9 | 21,4 | 61,0 | 8,6 | 5,3 | 6,9 | 13,2 |
| S42 A1/K1 | 34,93 | 19,05 | 17,5 | 54,0 | 27,0 | 74,9 | 14,0 | 8,3 | 11,5 | 19,8 |
| S45 A1/K1 | 41,40 | 22,23 | 22,0 | 54,0 | 27,0 | 75,0 | 11,4 | 8,5 | 11,7 | 17,3 |
| S52 A1/K1 | 38,10 | 22,23 | 19,0 | 58,8 | 29,4 | 78,0 | 11,4 | 8,3 | 10,0 | 17,3 |
| S55 A1/K1 | 41,40 | 22,23 | 22,0 | 54,0 | 27,0 | 75,0 | 11,4 | 8,5 | 11,7 | 17,3 |
| S62 A1/K1 | 41,91 | 26,2 | 22,0 | 66,8 | 33,4 | 95,4 | 11,4 | 8,3 | 14,7 | 17,3 |
| S77 A1/K1 | 58,34 | 22,23 | 25,0 | 76,2 | 38,1 | 102,0 | 20,8 | 8,3 | 11,5 | 26,2 |
| S88 A1/K1 | 66,27 | 28,58 | 22,0 | 97,0 | 48,5 | 119,4 | 20,8 | 8,3 | 9,9 | 26,2 |

Standard execution zinc plated.



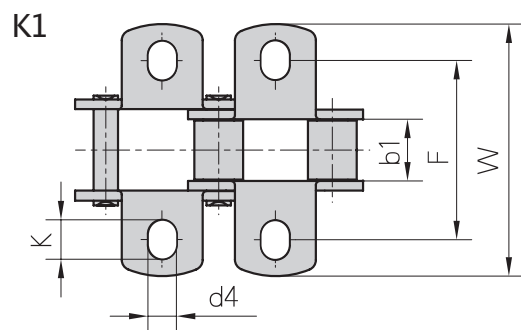
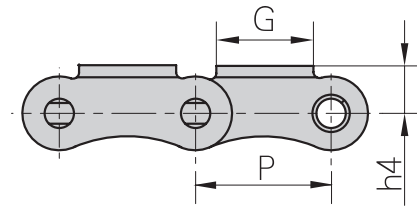
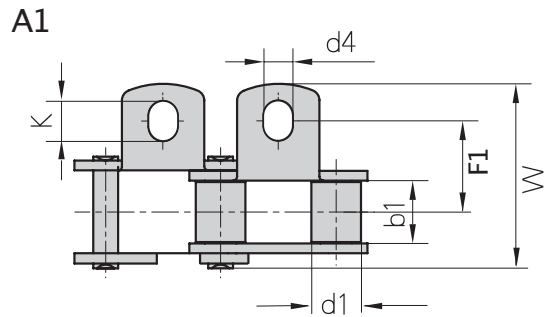
| Chain ref. | Dimensions | | | | | | | | |
|-------------|------------|-------|------|-----|------|------|-----|------|----|
| | P | b1 | h2 | T | C | F | d4 | K | |
| | mm | mm | mm | mm | mm | mm | mm | mm | mm |
| S32 SA1/SK1 | 29,21 | 15,88 | 13,2 | 1,8 | 17,3 | 26,2 | 5,3 | 6,9 | |
| S42 SA1/SK1 | 34,93 | 19,05 | 19,8 | 2,8 | 23,6 | 34,3 | 8,3 | 11,5 | |
| S45 SA1/SK1 | 41,40 | 22,23 | 17,3 | 2,8 | 19,8 | 30,2 | 8,3 | 11,5 | |
| S52 SA1/SK1 | 38,10 | 22,23 | 17,3 | 2,8 | 22,1 | 31,8 | 8,3 | 9,9 | |
| S55 SA1/SK1 | 41,40 | 22,23 | 17,3 | 2,8 | 19,8 | 30,2 | 8,3 | 11,5 | |
| S62 SA1/SK1 | 41,91 | 26,20 | 17,3 | 2,5 | 24,6 | 38,6 | 8,3 | 14,7 | |
| S77 SA1/SK1 | 58,34 | 22,23 | 26,2 | 4,0 | 36,3 | 50,0 | 8,3 | 11,5 | |
| S88 SA1/SK1 | 66,27 | 28,58 | 26,2 | 4,0 | 43,7 | 55,6 | 8,3 | 9,9 | |


Standard execution zinc plated.



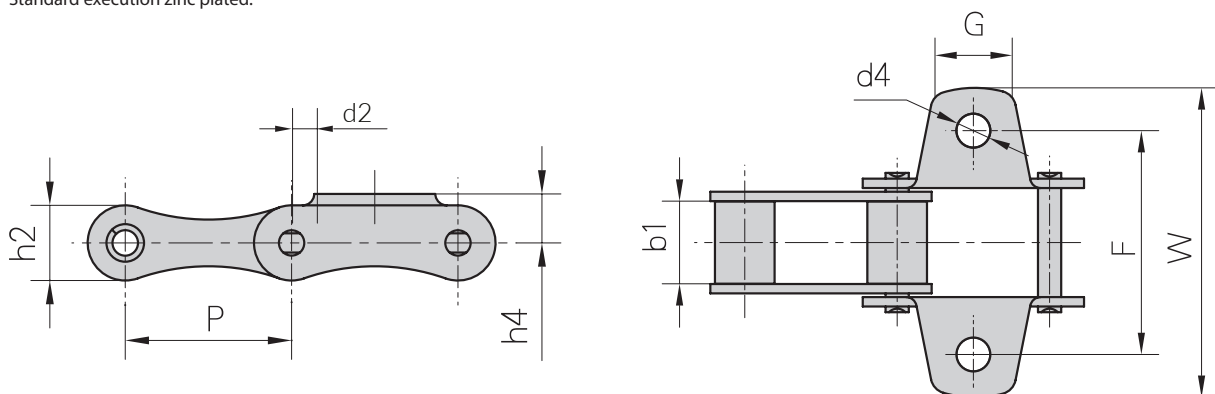
Agriculture chains type S - DIN 8189


ROLLER CHAINS



| Chain ref. | P | d1 | b1 | d2 | G | F | W | W1 | h4 | d4 | K |
|---|-------|-------|-------|------|------|------|------|------|------|-----|------|
|  | mm | mm | mm | mm | mm | mm | mm | mm | mm | mm | mm |
| S55RH | 41,40 | 17,78 | 22,23 | 8,90 | 25,0 | 31,8 | 90,4 | 67,4 | 15,5 | 8,6 | 12,0 |
| S55RH 25 | 41,40 | 25,00 | 22,23 | 8,90 | 25,0 | 31,8 | 90,4 | 67,4 | 15,5 | 8,6 | 12,0 |

Standard execution zinc plated.

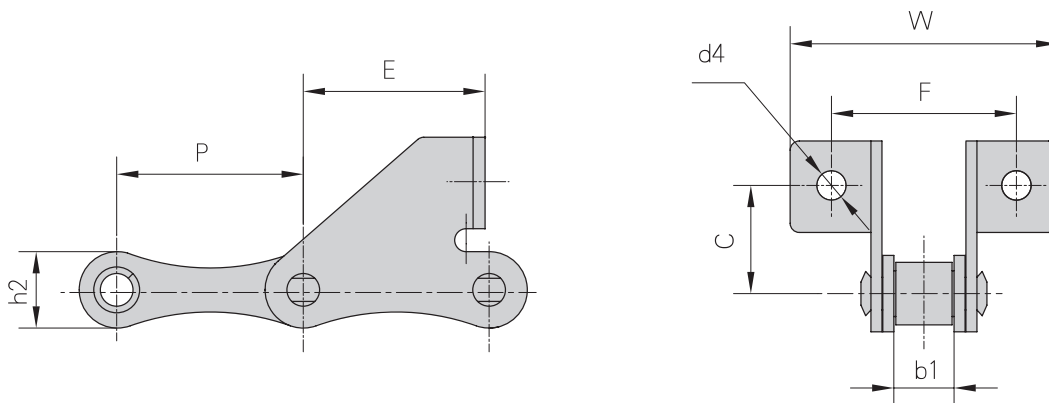


| Chain ref. | P | d1 | b1 | d2 | G | F | W | h4 | d4 | K |
|---|-------|-------|-------|------|------|------|-------|------|------|------|
|  | mm | mm | mm | mm | mm | mm | mm | mm | mm | mm |
| S55F5 | 41,40 | 17,78 | 22,23 | 5,72 | 22,0 | 56,0 | 75,0 | 11,4 | 10,0 | 17,3 |
| S77K1 F1 | 58,34 | 25,00 | 22,23 | 8,90 | 26,0 | 76,2 | 103,8 | 20,8 | 10,5 | 26,2 |

Standard execution zinc plated.



Agriculture chains type S - DIN 8189 and CA

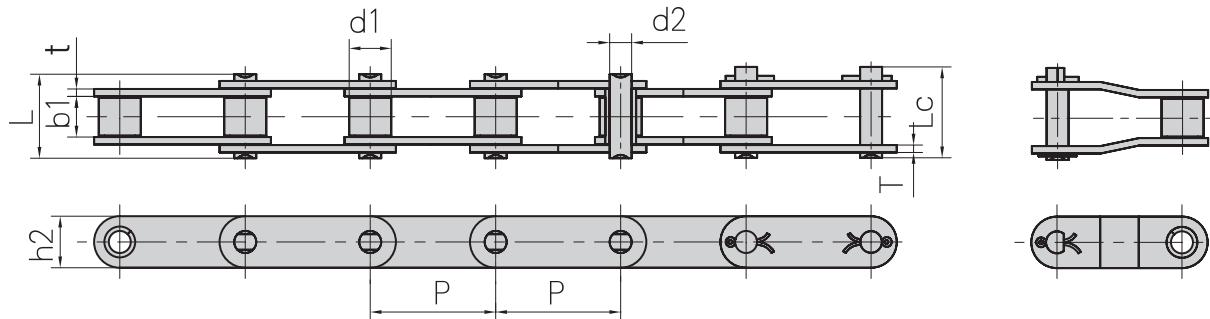


| Chain no. | P | b1 | C | E | F | W | d4 | h2 |
|-----------|-------|-------|------|------|------|------|-----|------|
| | mm | mm | mm | mm | mm | mm | mm | mm |
| S32 SD | 29,21 | 15,88 | 20,0 | 19,2 | 58,0 | 78,0 | 6,4 | 13,2 |
| S45 W- F1 | 41,40 | 22,23 | 20,0 | 37,0 | 58,0 | 87,0 | 6,6 | 17,3 |
| S45 W- F4 | 41,40 | 22,23 | 20,5 | 33,2 | 58,0 | 85,6 | 6,6 | 17,3 |
| S45 F1 | 41,40 | 22,23 | 21,0 | 25,0 | 62,4 | 83,4 | 8,5 | 17,3 |
| S52 SD | 38,10 | 22,23 | 20,0 | 19,2 | 62,0 | 88,5 | 6,4 | 17,3 |
| S52 F4 | 38,10 | 15,80 | 20,6 | 37,0 | 53,8 | 69,5 | 6,4 | 16,7 |
| S52 F8 | 38,10 | 22,23 | 20,6 | 37,0 | 60,7 | 76,4 | 6,4 | 17,3 |
| S52 F9 | 38,10 | 18,50 | 20,0 | 18,5 | 54,5 | 71,0 | 6,5 | 16,5 |
| S52 LSD | 38,10 | 16,40 | 20,0 | 17,5 | 54,5 | 71,0 | 6,5 | 16,5 |
| S55 F2 | 41,40 | 22,23 | 20,0 | 37,0 | 58,0 | 87,0 | 6,4 | 17,3 |
| S55 F3 | 41,40 | 22,23 | 20,5 | 33,2 | 58,0 | 85,6 | 6,6 | 17,3 |
| S55 F4 | 41,40 | 22,23 | 20,0 | 37,0 | 58,0 | 87,0 | 6,6 | 17,3 |
| S55 F6 | 41,40 | 22,23 | 20,0 | 30,0 | 58,0 | 87,0 | 6,4 | 17,3 |
| S55 F7 | 41,40 | 22,23 | 20,5 | 33,2 | 62,0 | 85,6 | 6,6 | 17,3 |
| S62 SD | 41,91 | 26,20 | 20,0 | 32,6 | 61,4 | 92,0 | 6,4 | 17,3 |

| Chain no. | P | b1 | C | E | F | W | d4 | h2 |
|-------------|-------|-------|------|------|------|------|-----|------|
| | mm | mm | mm | mm | mm | mm | mm | mm |
| CA550SD | 41,40 | 19,81 | 31,0 | 36,9 | 47,6 | 68,2 | 8,7 | 19,3 |
| CA550SDF4 | 41,40 | 19,81 | 31,0 | 36,9 | 47,6 | 89,0 | 8,7 | 19,0 |
| CA550SDF10 | 41,40 | 19,81 | 31,0 | 37,7 | 47,6 | 68,2 | 8,5 | 19,0 |
| CA550F5SDF1 | 41,40 | 20,24 | 31,0 | 36,9 | 47,6 | 68,2 | 8,7 | 19,1 |



Agriculture chains type CA and 38,4

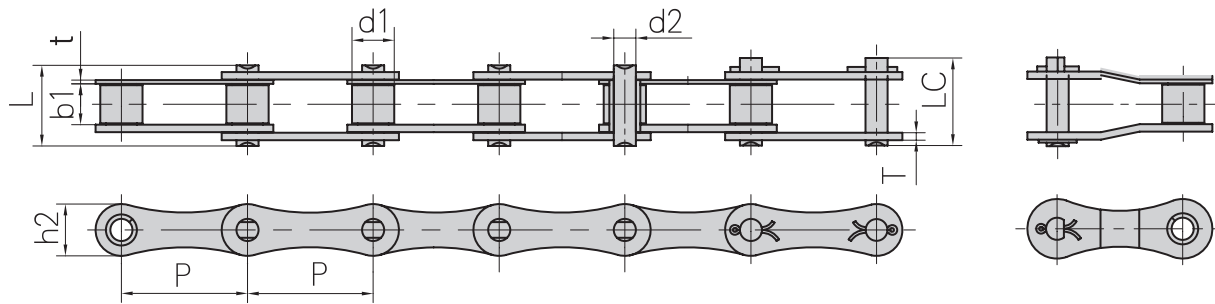


| Chain ref. | Pitch | Roller diameter | Width between inner plates | Pin diameter | Pin length | | Inner plate height | Plate thickness | Ultimate tensile strength | Average tensile strength | Weight per meter |
|------------|-------|-----------------|----------------------------|--------------|------------|----------|--------------------|-----------------|---------------------------|--------------------------|------------------|
| | p | $d1$ max | $b1$ min | $d2$ max | L max | Lc max | $h2$ max | t/T max | F_B min | F_{BA} min | q |
| | mm | mm | mm | mm | mm | mm | mm | mm | kN/LB | kN | kg/m |
| CA2060H | 38,10 | 11,91 | 12,70 | 5,94 | 29,2 | 31,6 | 18,00 | 3,25 | 31,10/6996 | 40,5 | 1,45 |
| CA2063H | 38,10 | 11,89 | 12,70 | 5,94 | 29,4 | 34,2 | 19,30 | 3,25 | 31,28/7109 | 40,5 | 1,65 |
| CA550 | 41,40 | 16,87 | 19,81 | 7,19 | 35,0 | 38,0 | 19,30 | 2,80 | 39,10/8886 | 51,2 | 1,94 |
| CA550F4 | 41,40 | 14,35 | 20,24 | 7,14 | 35,0 | 38,5 | 19,05 | 2,80 | 50,00/11363 | 52,0 | 1,76 |
| CA550F5 | 41,40 | 16,66 | 20,24 | 7,14 | 35,0 | 38,5 | 19,05 | 2,80 | 45,00/10227 | 52,0 | 1,97 |
| CA550H | 41,00 | 16,74 | 20,00 | 7,14 | 36,0 | 39,1 | 19,10 | 3,00 | 57,82/13000 | 60,8 | 2,00 |
| CA550V | 41,40 | 16,80 | 19,05 | 8,28 | 36,1 | 39,1 | 22,00 | 3,00 | 55,00/12499 | 68,7 | 2,24 |
| CA555 | 41,40 | 16,87 | 12,70 | 7,19 | 29,1 | 32,0 | 19,30 | 3,10 | 39,10/8886 | 56,0 | 1,72 |
| CA557 | 41,40 | 17,78 | 20,24 | 8,00 | 37,4 | 40,6 | 23,10 | 3,10 | 55,61/12639 | 74,3 | 2,60 |
| CA642 | 41,40 | 15,88 | 19,00 | 8,28 | 36,1 | 39,1 | 21,20 | 3,00 | 50,00/11363 | 55,0 | 1,98 |
| CA960 | 41,40 | 17,78 | 22,61 | 8,90 | 40,1 | 43,0 | 23,10 | 3,00 | 66,00/15160 | 72,6 | 6,94 |
| CA620 | 42,01 | 17,91 | 24,51 | 7,19 | 41,8 | 45,2 | 20,20 | 3,25 | 39,10/8886 | 55,1 | 2,35 |
| CA620F4 | 42,01 | 19,05 | 27,90 | 10,19 | 44,9 | 46,5 | 25,00 | 3,00 | 45,00/10277 | 60,0 | 2,95 |
| CA650 | 50,80 | 25,00 | 18,90 | 9,53 | 40,4 | 44,7 | 25,00 | 4,00 | 90,00/20454 | 95,5 | 3,49 |
| CA650F2 | 50,80 | 20,00 | 18,90 | 9,53 | 40,4 | 44,7 | 25,00 | 4,00 | 90,00/20454 | 95,5 | 2,98 |
| CA650F4 | 50,80 | 19,05 | 19,05 | 5,93 | 40,4 | 44,7 | 25,00 | 4,00 | 90,00/20454 | 95,5 | 2,95 |
| 38,4R | 38,40 | 15,88 | 19,05 | 6,92 | 33,8 | 36,4 | 17,30 | 2,50 | 33,00/7480 | 41,2 | 1,70 |
| 38,4V | 38,40 | 15,88 | 18,00 | 6,92 | 35,0 | 38,0 | 17,30 | 3,00 | 40,00/9091 | 50,0 | 1,83 |
| 38,4VB | 38,40 | 15,88 | 19,05 | 8,28 | 36,1 | 39,4 | 20,50 | 3,00 | 50,00/11363 | 62,5 | 2,17 |
| 55VD | 41,40 | 17,90 | 23,00 | 8,22 | 39,3 | 42,4 | 20,00 | 2,80 | 42,00/9546 | 45,0 | 2,34 |
| S62F3 | 41,91 | 19,05 | 25,40 | 8,00 | 42,0 | 44,6 | 26,00 | 3,00 | 47,00/10796 | 58,7 | 3,12 |

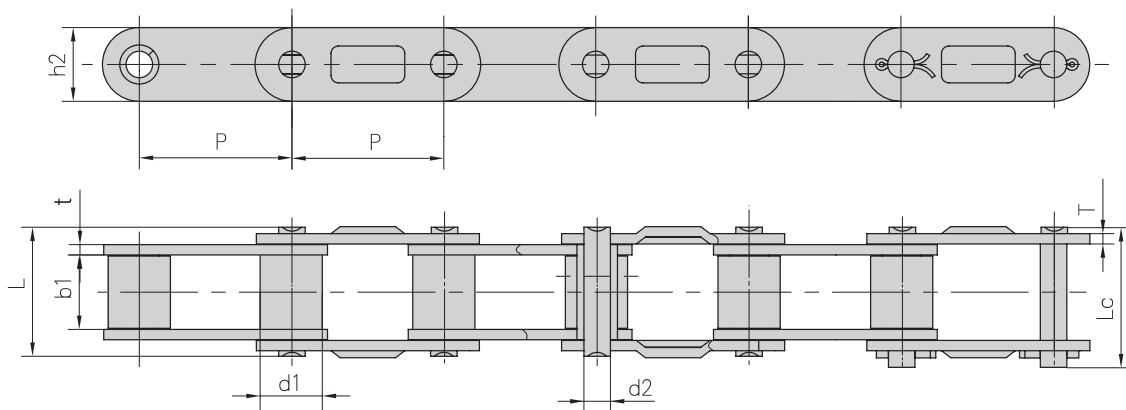
Standard execution zinc plated.



Agriculture chains type A and CA



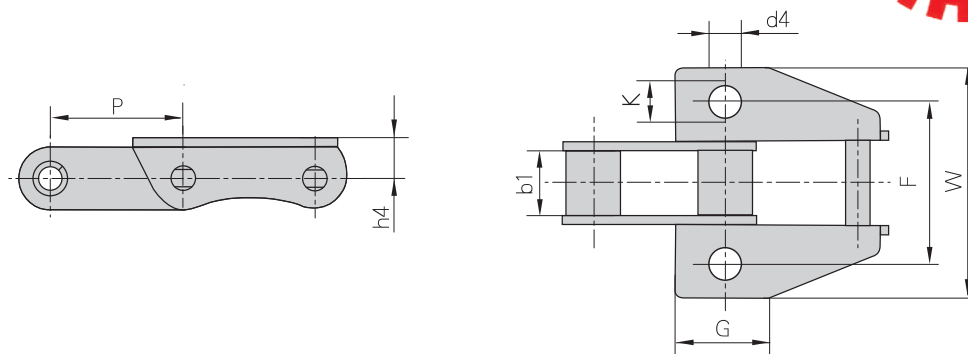
| Chain ref. | Pitch | Roller diameter | Width between inner plates | Pin diameter | Pin length | | Inner plate height | Plate thickness | Ultimate tensile strength | Average tensile strength | Weight per meter |
|------------|-------|-----------------|----------------------------|--------------|------------|--------|--------------------|-----------------|---------------------------|--------------------------|------------------|
| | P | d1 max | b1 min | d2 max | L max | Lc max | h2 max | t/T max | F_B min | F_{BA} min | q |
| | mm | mm | mm | mm | mm | mm | mm | mm | kN/LB | kN | kg/m |
| A550 | 41,40 | 16,87 | 19,81 | 7,19 | 35,00 | 38,00 | 19,30 | 2,80 | 39,10/8886 | 51,2 | 1,79 |
| A555 | 41,40 | 16,87 | 12,70 | 7,19 | 29,10 | 32,00 | 19,30 | 3,10 | 39,10/8886 | 56,0 | 1,60 |
| A557 | 41,40 | 17,78 | 20,24 | 8,00 | 37,40 | 40,60 | 23,10 | 3,10 | 55,61/12639 | 74,3 | 2,45 |
| A620 | 42,01 | 17,91 | 24,51 | 7,19 | 41,80 | 45,20 | 20,20 | 3,25 | 39,10/8886 | 55,1 | 2,18 |



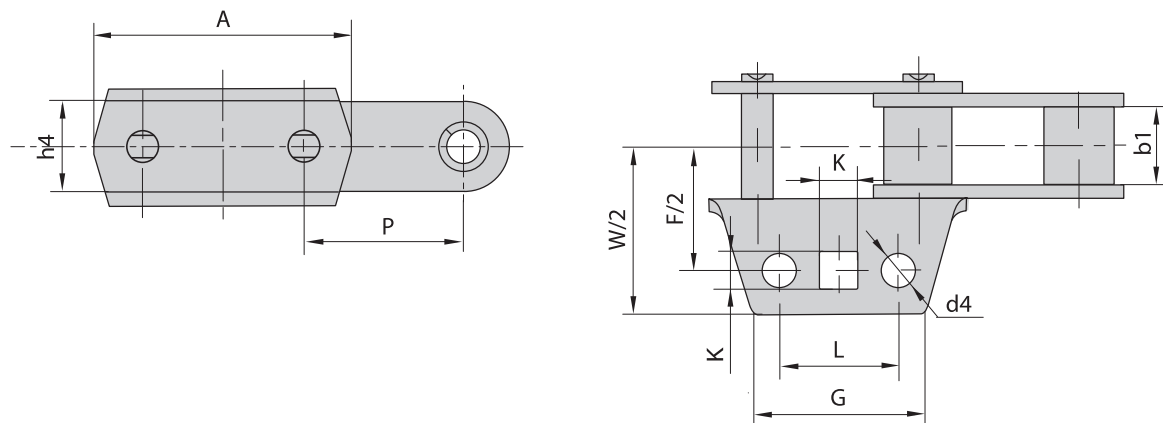
| Chain ref. | Pitch | Roller diameter | Width between inner plates | Pin diameter | Pin length | | Inner plate height | Plate thickness | Ultimate tensile strength | Average tensile strength | Weight per meter |
|------------|-------|-----------------|----------------------------|--------------|------------|--------|--------------------|-----------------|---------------------------|--------------------------|------------------|
| | P | d1 max | b1 min | d2 max | L max | Lc max | h2 max | t/T max | F_B min | F_{BA} min | q |
| | mm | mm | mm | mm | mm | mm | mm | mm | kN/LB | kN | kg/m |
| CA627D | 30,00 | 15,88 | 19,05 | 8,28 | 36,0 | 39,7 | 20,5 | 3,0 | 50,0/11241 | 55,0 | 2,55 |
| CA550D | 41,40 | 16,87 | 19,81 | 7,19 | 35,0 | 38,0 | 19,3 | 2,8 | 39,10/8886 | 51,2 | 1,94 |
| CA555D | 41,40 | 16,87 | 12,70 | 7,19 | 29,1 | 32,0 | 19,3 | 3,1 | 39,10/8886 | 56,0 | 1,72 |
| CA557D | 41,40 | 17,78 | 20,24 | 8,00 | 37,4 | 40,6 | 23,1 | 3,1 | 55,61/12639 | 74,3 | 2,60 |
| CA620D | 42,01 | 17,91 | 24,51 | 7,19 | 41,8 | 45,2 | 20,2 | 3,1 | 39,10/8886 | 55,1 | 2,35 |



Agriculture chains type CA and 38,4

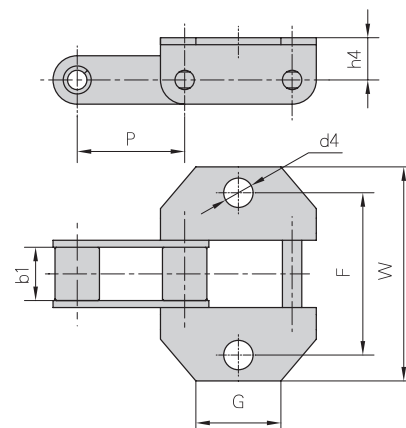


| Chain no. | P | b1 | G | F | W | h4 | d4 | K |
|-------------|------|------|------|------|------|------|------|------|
| | mm | mm | mm | mm | mm | mm | mm | mm |
| CA550-K339M | 41,4 | 20,1 | 29,5 | 50,8 | 71,4 | 71,4 | 9,8 | 8 |
| CA557-K39 | 41,4 | 20,4 | 22,7 | 57,2 | 77,8 | 77,8 | 10,5 | 10,5 |
| CA557-K39N1 | 41,4 | 20,4 | 24,3 | 50,8 | 78,0 | 78,0 | 10,5 | 13,0 |
| CA557-K39N2 | 41,4 | 20,4 | 24,3 | 57,4 | 78,0 | 78,0 | 10,5 | 13,0 |



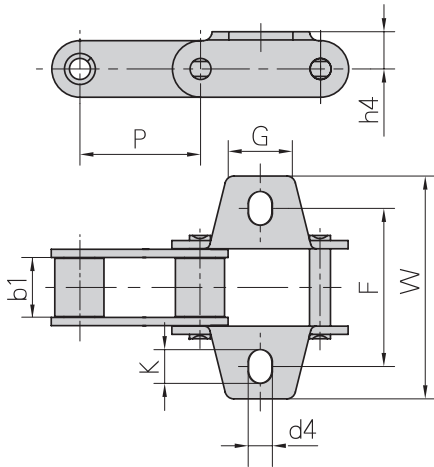
| Chain no. | P | b1 | A | L | G | F | W | h4 | d4 | K |
|-----------|------|------|------|------|------|------|------|------|-----|-----|
| | mm | mm | mm | mm | mm | mm | mm | mm | mm | mm |
| CA557-U16 | 41,4 | 20,4 | 66,6 | 30,0 | 44,5 | 65,0 | 87,2 | 28,6 | 8,3 | 9,9 |

| Chain no. | P | b1 | G | F | W | h4 | d4 |
|------------|------|-------|------|------|------|------|------|
| | mm | mm | mm | mm | mm | mm | mm |
| 38,4RK1 | 38,4 | 19,05 | 29,1 | 58,0 | 76,5 | 15,1 | 10,5 |
| 38,4VK1 F1 | 38,4 | 18,00 | 29,1 | 57,0 | 75,0 | 15,1 | 8,5 |
| 38,4V F7 | 38,4 | 19,05 | 39,0 | 58,4 | 82,4 | 14,5 | 10,5 |
| 38,4VBK1 | 38,4 | 19,05 | 29,0 | 58,0 | 87,0 | 14,0 | 10,5 |
| 38,4VBF3 | 38,4 | 19,05 | 40,0 | 57,0 | 86,0 | 16,0 | 10,3 |
| CA550VK18 | 38,4 | 19,05 | 22,6 | 54,0 | 71,6 | 12,7 | 8,5 |



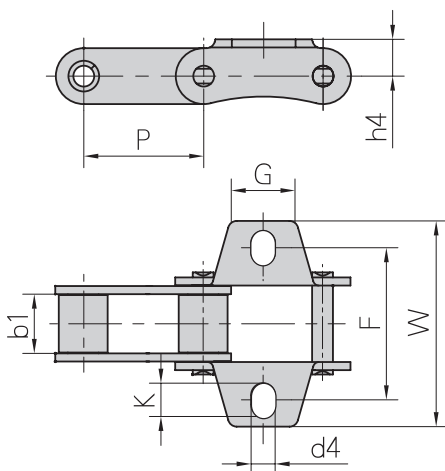
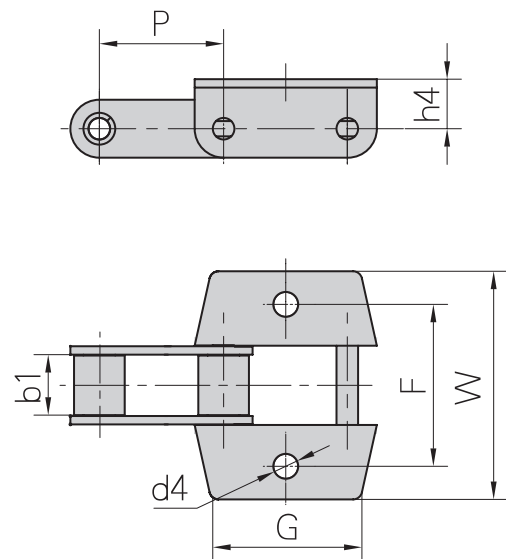


Agriculture chains type A and CA



| Chain no. | P | b1 | G | F | W | h4 | d4 | K |
|--------------|------|-------|-------|------|------|------|-----|------|
| | mm | mm | mm | mm | mm | mm | mm | mm |
| CA550K1 | 41,4 | 19,81 | 22,00 | 52,5 | 76,2 | 12,7 | 8,3 | 10,0 |
| CA550K1 F3 | 41,4 | 19,81 | 22,00 | 54,0 | 76,2 | 12,7 | 8,3 | 11,5 |
| CA550F4K19F1 | 41,4 | 20,24 | 22,23 | 52,5 | 76,2 | 12,7 | 8,3 | 10,0 |

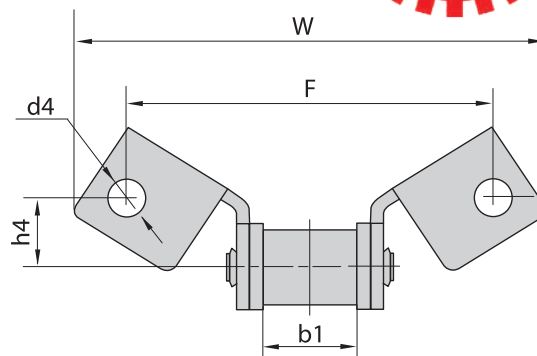
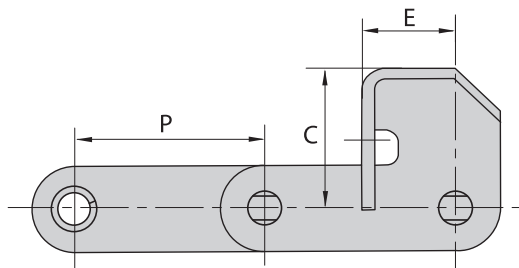
| Chain no. | P | b1 | G | F | W | h4 | d4 |
|-------------|-------|-------|------|------|-------|-------|------|
| | mm | mm | mm | mm | mm | mm | mm |
| CA550K1 F4 | 41,40 | 19,81 | 48,5 | 54,0 | 76,20 | 16,50 | 8,50 |
| CA550VK1 F3 | 41,40 | 19,05 | 56,0 | 54,0 | 75,54 | 16,50 | 8,50 |
| CA620A1 F1 | 42,01 | 24,51 | 63,5 | 67,7 | 91,70 | 16,05 | 10,5 |



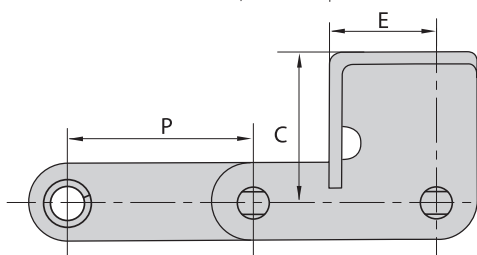
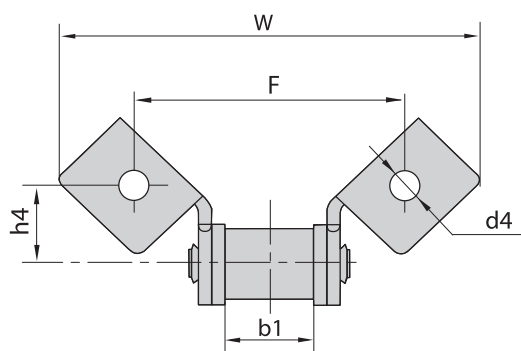
| Chain no. | P | b1 | G | F | W | h4 | d4 | K |
|------------|------|-------|-------|------|------|------|-----|------|
| | mm | mm | mm | mm | mm | mm | mm | mm |
| CA550K19 | 41,4 | 19,81 | 22,00 | 50,8 | 71,0 | 12,7 | 8,3 | 11,0 |
| CA550K19F1 | 41,4 | 19,81 | 22,00 | 54,0 | 71,0 | 12,7 | 8,3 | 11,0 |
| CA550K19F2 | 41,4 | 19,81 | 25,40 | 50,8 | 71,0 | 12,7 | 8,4 | 11,5 |



Agriculture chains type CA



| Chain no. | P | b1 | E | C | F | W | h4 | d4 |
|---------------|------|-------|-------|-------|-------|--------|-------|------|
| | mm | mm | mm | mm | mm | mm | mm | mm |
| CA550F14 | 41,4 | 19,80 | 20,24 | 31,75 | 79,40 | 101,60 | 15,90 | 8,33 |
| CA550F16 | 41,4 | 20,00 | 22,30 | 39,00 | 78,00 | 109,20 | 17,70 | 8,00 |
| CA550VF14 | 41,4 | 19,05 | 20,24 | 31,75 | 79,40 | 101,60 | 15,90 | 8,33 |
| CA550F5-F14 | 41,4 | 20,24 | 20,24 | 31,75 | 79,40 | 101,60 | 15,90 | 8,33 |
| CA550F55F14SF | 41,4 | 20,24 | 21,34 | 31,75 | 79,40 | 101,60 | 15,90 | 9,91 |
| CA557F14 | 41,4 | 20,24 | 19,60 | 34,00 | 79,40 | 109,80 | 15,88 | 8,60 |
| CA557SFD | 41,4 | 20,24 | 24,30 | 50,10 | 79,40 | 109,80 | 28,60 | 8,30 |
| CA557SDF1 | 41,4 | 20,24 | 24,30 | 50,10 | 79,40 | 109,80 | 28,60 | 9,53 |

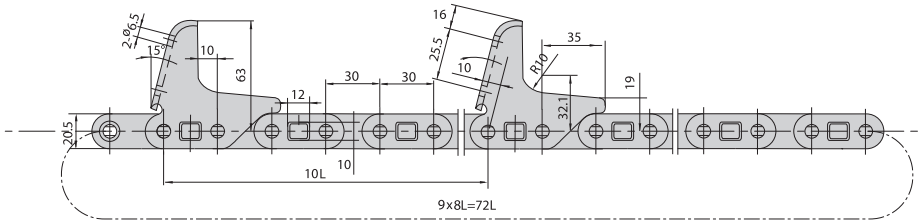


| Chain no. | P | b1 | E | C | F | W | h4 | d4 |
|-------------|------|-------|-------|-------|--------|--------|-------|------|
| | mm | mm | mm | mm | mm | mm | mm | mm |
| CA550F15 | 41,4 | 19,81 | 24,00 | 35,26 | 61,98 | 95,25 | 19,05 | 6,73 |
| CA550F17 | 41,4 | 19,81 | 23,68 | 40,89 | 114,30 | 143,70 | 20,57 | 9,91 |
| CA550F18 | 41,4 | 19,81 | 24,00 | 35,26 | 61,98 | 95,25 | 19,05 | 8,33 |
| CA550F5-F17 | 41,4 | 20,24 | 23,68 | 40,89 | 114,30 | 143,70 | 20,57 | 9,91 |
| CA550F5-G18 | 41,4 | 20,24 | 24,13 | 20,32 | 63,50 | 84,00 | 8,38 | 8,38 |
| CA550VF13 | 41,4 | 19,05 | 25,40 | 59,60 | 79,35 | 135,45 | 28,60 | 8,74 |

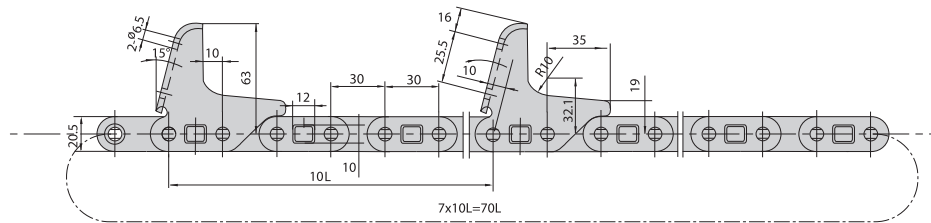
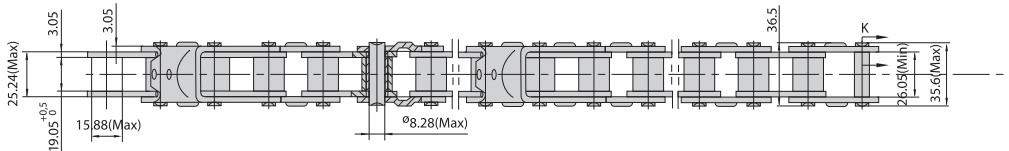


Agriculture chains type CA627 and CA550

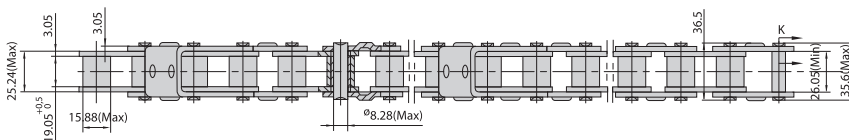
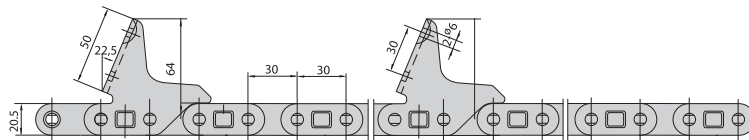
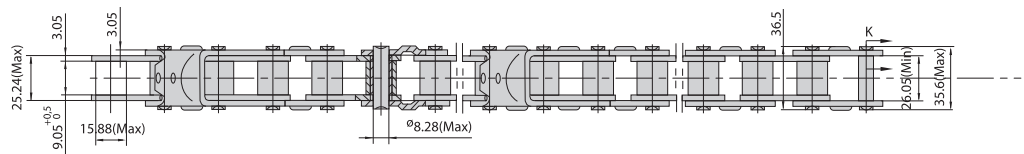
ROLLER CHAINS



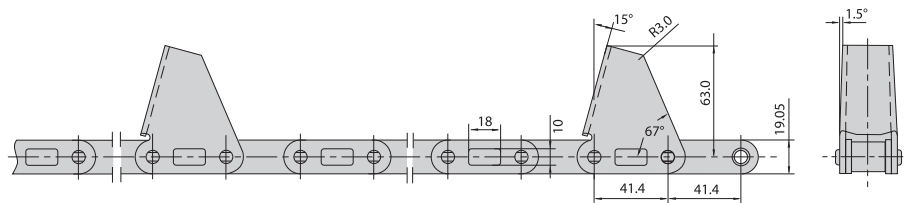
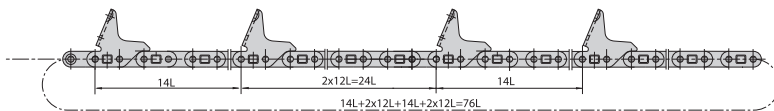
CA627x72-9A



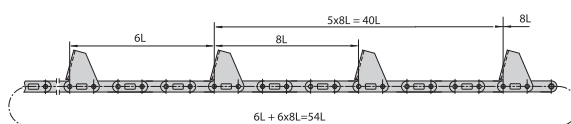
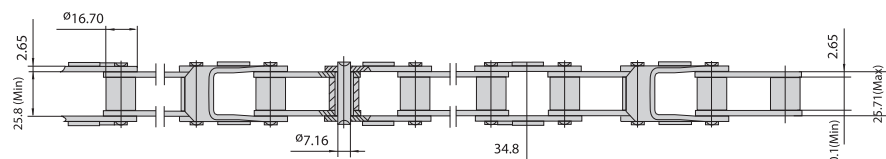
CA627x70-7A



CA627x76-6A

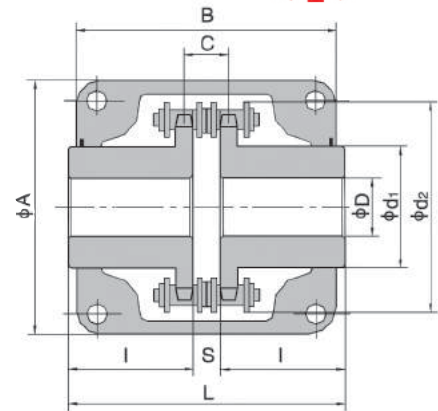
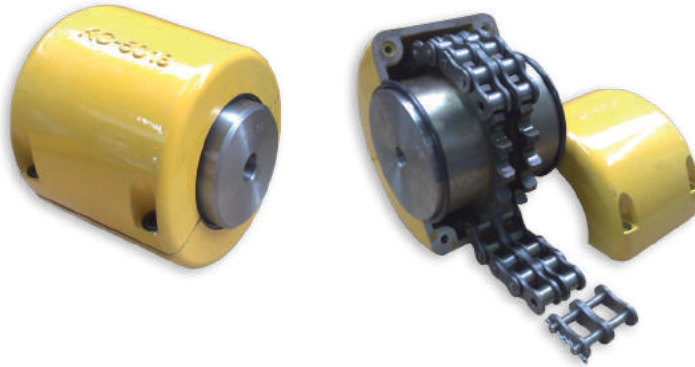


CA550x54-7A





Chain couplings type RC



ROLLER CHAINS

| Chain coupling no. | Chain no. | Bore Diameter | | Dimension | | | | | | Inertia x10 ³ kgf-m ² | Approx Weight kg | Casing | | |
|--------------------|-----------|---------------|-----|-----------|-------|------|-----|-----|------|---|---------------------|-----------|-----|--------------|
| | | Min | Max | L | I | S | d1 | d2 | C | | | Dimension | | Approx |
| | | mm | mm | mm | mm | mm | mm | mm | mm | | | A | B | Weight kg |
| RC 4012 | 40-2X12 | 12 | 22 | 79,4 | 36,0 | 7,4 | 35 | 61 | 14,4 | 1.020 | 0,8 | 77 | 72 | 0,3 |
| RC 4014 | 40-2X14 | 12 | 28 | 79,4 | 36,0 | 7,4 | 43 | 69 | 14,4 | 1.924 | 1,1 | 84 | 75 | 0,4 |
| RC 4016 | 40-2X16 | 14 | 32 | 87,4 | 40,0 | 7,4 | 50 | 77 | 14,4 | 3.285 | 1,4 | 92 | 75 | 0,4 |
| RC 5014 | 50-2X14 | 16 | 35 | 99,7 | 45,0 | 9,7 | 53 | 86 | 18,1 | 6.010 | 2,2 | 101 | 85 | 0,5 |
| RC 5016 | 50-2X16 | 16 | 40 | 99,7 | 45,0 | 9,7 | 60 | 96 | 18,1 | 9.720 | 2,7 | 111 | 85 | 0,6 |
| RC 5018 | 50-2X18 | 20 | 45 | 99,7 | 45,0 | 9,7 | 70 | 106 | 18,1 | 15.420 | 3,8 | 122 | 85 | 0,8 |
| RC 6018 | 60-2X18 | 20 | 56 | 123,5 | 56,0 | 11,5 | 85 | 128 | 22,8 | 40.210 | 6,2 | 142 | 106 | 1,2 |
| RC 6020 | 60-2X20 | 20 | 60 | 123,5 | 56,0 | 11,5 | 98 | 140 | 22,8 | 62.870 | 7,8 | 158 | 105 | 1,6 |
| RC 6022 | 60-2X22 | 20 | 71 | 123,5 | 56,0 | 11,5 | 110 | 152 | 22,8 | 93.450 | 10,4 | 168 | 117 | 1,8 |
| RC 8018 | 80-2X18 | 20 | 80 | 141,2 | 63,0 | 15,2 | 110 | 170 | 29,3 | 142.030 | 12,7 | 190 | 129 | 2,5 |
| RC 8020 | 80-2X20 | 20 | 90 | 145,2 | 65,0 | 15,2 | 120 | 186 | 29,3 | 204.900 | 16,0 | 210 | 137 | 2,9 |
| RC 8022 | 80-2X22 | 20 | 100 | 157,2 | 71,0 | 15,2 | 140 | 202 | 29,3 | 341.170 | 20,2 | 226 | 137 | 3,6 |
| RC 10020 | 100-2X20 | 25 | 110 | 178,8 | 80,0 | 18,8 | 160 | 233 | 35,8 | 646.290 | 33,0 | 281 | 153 | 4,6 |
| RC 12018 | 120-2X18 | 35 | 125 | 202,7 | 90,0 | 22,7 | 170 | 256 | 45,4 | 1.075.710 | 47,0 | 307 | 181 | 6,2 |
| RC 12022 | 120-2X22 | 35 | 140 | 222,7 | 100,0 | 22,7 | 210 | 304 | 45,4 | 2.454.500 | 72,0 | 357 | 181 | 8 |

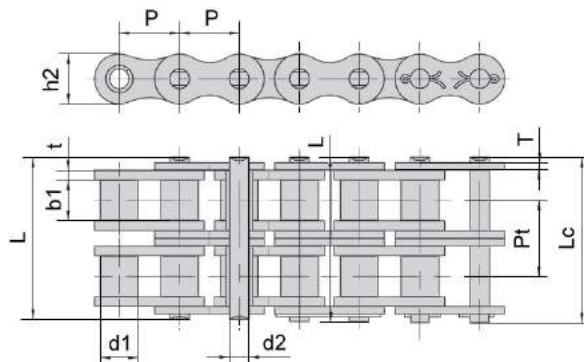
Transmittable power (kW)

| Coupling type | Max mm | Speed of rotation (min ⁻¹) | | | | | | | | | | | | | | | | | | | | | | | |
|---------------|--------|--|------|------|------|------|------|------|------|------|------|------|------|------|-------|------|------|------|------|------|------|------|------|------|------|
| | | 1 | 5 | 10 | 25 | 50 | 100 | 200 | 300 | 400 | 500 | 600 | 800 | 1000 | 1200 | 1500 | 1800 | 2000 | 2500 | 3000 | 3600 | 4000 | 4800 | 5200 | 6000 |
| RC4 012 | 22 | 0,02 | 0,11 | 0,22 | 0,58 | 1,15 | 1,73 | 2,63 | 3,46 | 4,15 | 4,96 | 5,67 | 7,01 | 8,59 | 9,68 | 11,4 | 13,7 | 14,8 | 17,9 | 20,7 | 24,1 | 28,3 | 30,8 | 14,8 | 18,7 |
| RC4 016 | 30 | 0,04 | 0,21 | 0,41 | 1,03 | 2,08 | 3,09 | 4,69 | 8,17 | 7,41 | 8,85 | 10,1 | 12,5 | 15,3 | 17,30 | 21,0 | 24,4 | 26,3 | 31,9 | 37,0 | 43,0 | 46,9 | 54,9 | | |
| RC 5016 | 38 | 0,08 | 0,39 | 0,78 | 1,95 | 3,91 | 5,86 | 8,92 | 11,2 | 14,1 | 16,0 | 19,2 | 23,8 | 28,9 | 32,9 | 39,9 | 48,4 | 50,0 | 60,8 | 70,4 | 81,6 | | | | |
| RC 5018 | 45 | 0,10 | 0,50 | 0,99 | 2,48 | 4,95 | 7,43 | 11,3 | 14,9 | 17,8 | 21,3 | 24,4 | 30,1 | 36,8 | 41,6 | 50,5 | 58,8 | 63,4 | 76,9 | 89,2 | | | | | |
| RC 6018 | 55 | 0,18 | 0,93 | 1,87 | 4,67 | 9,33 | 14,0 | 21,3 | 28,0 | 33,6 | 40,1 | 45,9 | 56,8 | 69,1 | 78,4 | 95,2 | 111 | 120 | 145 | | | | | | |
| RC 6022 | 75 | 0,25 | 1,25 | 2,51 | 6,31 | 12,5 | 18,8 | 28,6 | 37,7 | 45,3 | 54,1 | 61,9 | 76,5 | 93,1 | 105 | 128 | 149 | 161 | 195 | | | | | | |
| RC 8018 | 78 | 0,41 | 2,07 | 4,14 | 10,9 | 20,7 | 31,0 | 47,2 | 62,1 | 74,5 | 89,0 | 101 | 126 | 153 | 174 | 211 | 246 | 265 | | | | | | | |
| RC 8022 | 95 | 0,59 | 2,96 | 5,93 | 14,8 | 29,6 | 44,5 | 67,2 | 89,0 | 108 | 127 | 146 | 180 | 219 | 249 | 307 | 352 | 379 | | | | | | | |
| RC 10020 | 110 | 0,93 | 4,00 | 9,33 | 23,3 | 46,6 | 70,0 | 106 | 140 | 168 | 200 | 229 | 283 | 345 | 392 | 476 | 554 | | | | | | | | |
| RC 12018 | 120 | 1,40 | 7,02 | 14,0 | 35,1 | 70,2 | 105 | 160 | 210 | 252 | 307 | 345 | 426 | 519 | 590 | 716 | | | | | | | | | |
| RC 12022 | 150 | 1,81 | 9,02 | 18,1 | 45,3 | 90,7 | 136 | 206 | 272 | 326 | 390 | 446 | 551 | 671 | 762 | | | | | | | | | | |

Reduction of transmittable power by different operating factors: (reduction factors)

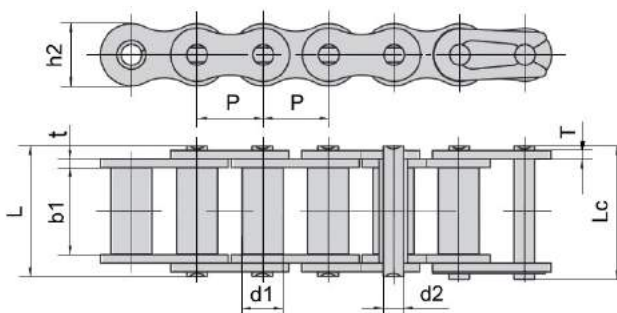
| | Drive characteristics at 8 h/day | Electric motor | Steam-/ gasoline motor | Gas or diesel motor |
|---|--|----------------|------------------------|---------------------|
| A | Constant load, one sense of rotation, low starting torque | 1,0 | 1,5 | 2,0 |
| B | Alternating load, one sense of rotation, low starting torque | 1,5 | 2,0 | 2,5 |

Coupling chains



| Chain no. | Pitch | Roller diameter | Width between inner plates | Pin diameter | Pin length | | Inner plate height | Plate thickness | Transverse pitch | Ultimate tensile strength | Average tensile strength | Weight per meter |
|-----------|--------|-----------------|----------------------------|--------------|------------|--------|--------------------|-----------------|------------------|---------------------------|--------------------------|------------------|
| | P | d1 max | b1 min | d2 max | L max | Lc max | h2 max | T max | | F_B min. | F_{BA} | q |
| | mm | mm | mm | mm | mm | mm | mm | mm | | kN/LB | kN | kg/m |
| 40-2X12 | 12,700 | 7,95 | 7,85 | 3,96 | 31,0 | 32,2 | 12,00 | 1,50 | 14,38 | 28,2/6409 | 35,9 | 0,16 |
| 40-2X14 | 12,700 | 7,95 | 7,85 | 3,96 | 31,0 | 32,2 | 12,00 | 1,50 | 14,38 | 28,2/6409 | 35,9 | 0,19 |
| 40-2X16 | 12,700 | 7,95 | 7,85 | 3,96 | 31,0 | 32,2 | 12,00 | 1,50 | 14,38 | 28,2/6409 | 35,9 | 0,21 |
| 50-2X14 | 15,875 | 10,16 | 9,40 | 5,08 | 38,9 | 40,4 | 15,09 | 2,03 | 18,11 | 44,4/10091 | 58,1 | 0,49 |
| 50-2X16 | 15,875 | 10,16 | 9,40 | 5,08 | 38,9 | 40,4 | 15,09 | 2,03 | 18,11 | 44,4/10091 | 58,1 | 0,56 |
| 50-2X18 | 15,875 | 10,16 | 9,40 | 5,08 | 38,9 | 40,4 | 15,09 | 2,03 | 18,11 | 44,4/10091 | 58,1 | 0,63 |
| 60-2X18 | 19,050 | 11,91 | 12,57 | 5,94 | 48,8 | 50,5 | 18,00 | 2,42 | 22,78 | 63,6/14455 | 82,1 | 1,00 |
| 60-2X20 | 19,050 | 11,91 | 12,57 | 5,94 | 48,8 | 50,5 | 18,00 | 2,42 | 22,78 | 63,6/14455 | 82,1 | 1,11 |
| 60-2X22 | 19,050 | 11,91 | 12,57 | 5,94 | 48,8 | 50,5 | 18,00 | 2,42 | 22,78 | 63,6/14455 | 82,1 | 1,22 |
| 80-2X18 | 25,400 | 15,88 | 15,75 | 7,92 | 62,7 | 64,3 | 24,00 | 3,25 | 29,29 | 113,4/25773 | 141,8 | 2,35 |
| 80-2X20 | 25,400 | 15,88 | 15,75 | 7,92 | 62,7 | 64,3 | 24,00 | 3,25 | 29,29 | 113,4/25773 | 141,8 | 2,62 |
| 80-2X22 | 25,400 | 15,88 | 15,75 | 7,92 | 62,7 | 64,3 | 24,00 | 3,25 | 29,29 | 113,4/25773 | 141,8 | 2,88 |
| 100-2X20 | 31,750 | 19,05 | 18,90 | 9,53 | 76,4 | 80,5 | 30,00 | 4,00 | 35,76 | 177,0/40227 | 219,4 | 4,05 |
| 100-2X22 | 31,750 | 19,05 | 18,90 | 9,53 | 76,4 | 80,5 | 30,00 | 4,00 | 35,76 | 177,0/40227 | 219,4 | 4,95 |
| 120-2X18 | 38,100 | 22,23 | 25,22 | 11,10 | 95,8 | 99,7 | 35,70 | 4,80 | 45,44 | 254,0/57727 | 314,9 | 8,14 |
| 120-2X22 | 38,100 | 22,23 | 25,22 | 11,10 | 95,8 | 99,7 | 35,70 | 4,80 | 45,44 | 254,0/57727 | 314,9 | 9,95 |

Special coupling chains

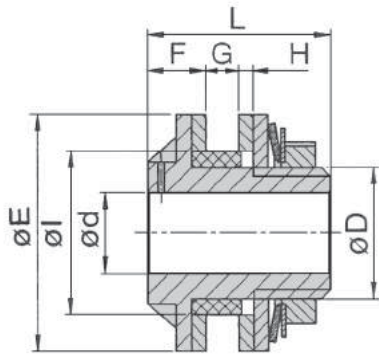


| Chain no. | Pitch | Roller diameter | Width between inner plates | Pin diameter | Pin length | | Inner plate height | Plate thickness | Ultimate tensile strength | Average tensile strength | Weight per meter |
|-----------|--------|-----------------|----------------------------|--------------|------------|--------|--------------------|-----------------|---------------------------|--------------------------|------------------|
| | P | d1 max | b1 min | d2 max | L max | Lc max | h2 max | T max | F_B min. | F_{BA} | q |
| | mm | mm | mm | mm | mm | mm | mm | mm | kN/LB | kN | kg/m |
| 10AF13 | 15,875 | 10,16 | 16,31 | 5,08 | 27,6 | 29,1 | 15,09 | 2,03 | 22,20/5045 | 29,4 | 1,35 |
| 12AF2 | 19,050 | 11,91 | 19,10 | 5,94 | 32,6 | 34,4 | 18,00 | 2,42 | 31,80/7227 | 41,5 | 1,90 |
| 12AF6 | 19,050 | 11,91 | 18,80 | 5,94 | 31,9 | 33,5 | 18,00 | 2,42 | 31,80/7227 | 41,5 | 1,87 |
| 12AF26 | 19,050 | 11,91 | 19,36 | 5,94 | 31,9 | 33,5 | 18,00 | 2,42 | 31,80/7227 | 41,5 | 1,94 |
| 16AF25 | 25,400 | 15,88 | 25,58 | 7,92 | 42,4 | 43,9 | 24,00 | 3,25 | 56,70/12886 | 69,4 | 3,26 |

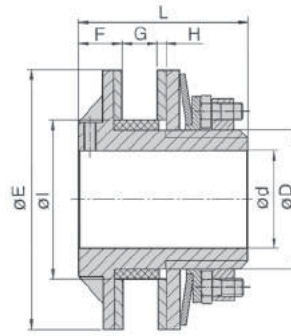
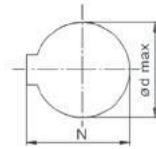


Torque limiter couplings

Series LC-1/LC-2



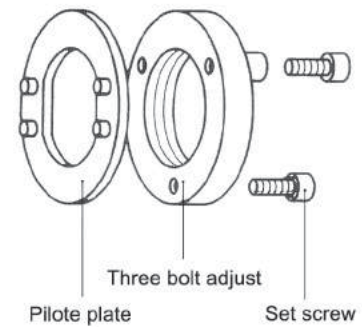
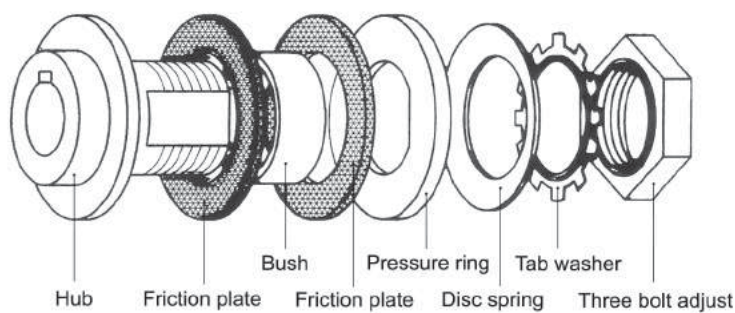
LC 40 - 45 - 65 - 85



LC 95 - 120 - 140 - 170



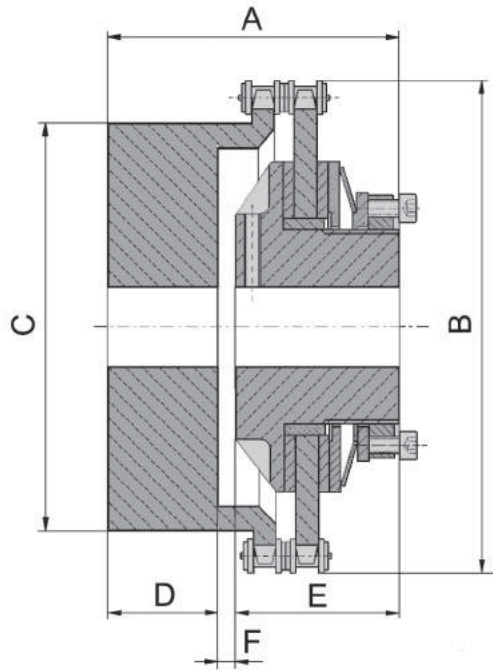
| Type no. | Dimensions | | | | | | | | | Bore dia DIN 6885/1 | Torque max | N° Springs | Sprocket dimensions | Approx Weight |
|----------|------------|-------|-------|------|------|-------|-----|------|--------|------------------------|---------------|---------------|------------------------|------------------|
| | ØE | ØI h8 | Ød | ØD | F | G max | H | L | Ød max | | | | | |
| | mm | mm | mm | mm | mm | mm | mm | mm | mm | mm | Nm | | Z/t | kg |
| LC 40-1 | 40,0 | 26,0 | 7,00 | 22,0 | 10,0 | 6,0 | 3,0 | 30,0 | 14,0 | 16,3 | 15 | 1 | z=18-21 t=3/8" | 0,20 |
| LC 40-2 | 40,0 | 26,0 | 7,00 | 22,0 | 10,0 | 6,0 | 3,0 | 30,0 | 14,0 | 16,3 | 28 | 2 | z=15 t=1/2" | 0,20 |
| LC 45-1 | 45,0 | 35,0 | 7,00 | 32,0 | 11,0 | 6,0 | 4,0 | 35,5 | 20,0 | 22,8 | 30 | 1 | z=19-23 t=3/8" | 0,35 |
| LC 45-2 | 45,0 | 35,0 | 7,00 | 32,0 | 11,0 | 6,0 | 4,0 | 35,5 | 20,0 | 22,8 | 55 | 2 | z=17 t=1/2" | 0,35 |
| LC 65-1 | 65,0 | 45,0 | 10,00 | 36,0 | 16,0 | 9,0 | 4,0 | 50,5 | 22,0 | 24,8 | 70 | 1 | z=27 t=3/8" | 0,50 |
| LC 65-2 | 65,0 | 45,0 | 10,00 | 36,0 | 16,0 | 9,0 | 4,0 | 50,5 | 22,0 | 24,8 | 120 | 2 | z=21 t=1/2" | 0,50 |
| LC 85-1 | 85,0 | 52,0 | 15,00 | 42,0 | 17,0 | 11,0 | 4,0 | 55,5 | 25,0 | 28,3 | 130 | 1 | z=25 t=1/2" | 1,00 |
| LC 85-2 | 85,0 | 52,0 | 15,00 | 42,0 | 17,0 | 11,0 | 4,0 | 55,5 | 25,0 | 28,3 | 240 | 2 | z=21 t=5/8" | 1,00 |
| LC 95-1 | 95,0 | 60,0 | 15,00 | 52,0 | 18,0 | 11,0 | 4,0 | 67,0 | 35,0 | 38,3 | 190 | 1 | z=25 t=5/8" | 1,30 |
| LC 95-2 | 95,0 | 60,0 | 15,00 | 52,0 | 18,0 | 11,0 | 4,0 | 67,0 | 35,0 | 38,3 | 340 | 2 | z=19 t=3/4" | 1,30 |
| LC 120-1 | 120,0 | 73,0 | 20,00 | 64,0 | 20,0 | 16,0 | 4,0 | 78,0 | 45,0 | 48,8 | 350 | 1 | z=25 t=3/4" | 2,80 |
| LC 120-2 | 120,0 | 73,0 | 20,00 | 64,0 | 20,0 | 16,0 | 4,0 | 78,0 | 45,0 | 48,8 | 650 | 2 | z=21 t=1" | 2,80 |
| LC 140-1 | 140,0 | 90,0 | 20,00 | 85,0 | 23,0 | 17,0 | 4,0 | 86,5 | 60,0 | 64,4 | 650 | 1 | z=30 t=3/4" | 5,20 |
| LC 140-2 | 140,0 | 90,0 | 20,00 | 85,0 | 23,0 | 17,0 | 4,0 | 86,5 | 60,0 | 64,4 | 1200 | 2 | z=21 t=1" | 5,20 |
| LC 170-1 | 170,0 | 100,0 | 28,00 | 90,0 | 27,5 | 18,5 | 4,5 | 95,0 | 65,0 | 69,4 | 1000 | 1 | z=25 t=1" | 6,60 |
| LC 170-2 | 170,0 | 100,0 | 28,00 | 90,0 | 27,5 | 18,5 | 4,5 | 95,0 | 65,0 | 69,4 | 1800 | 2 | z=22 t=1.1/4" | 6,60 |





Torque limiter couplings

Series FT-1C / FT-2C



| Type no | Max. error in alignment | | Torque Nm | | Max. bore diameter | | Pilot bore | Sprocket dimensions | Dimensions (mm) | | | | | | Weight (kg) |
|-----------|-------------------------|---------------------|-----------|------|--------------------|--------------|--------------------------|---------------------|-----------------|-------|-------|------|------|------|-------------|
| | Max. screw | Max. angular offset | Min. | Max. | Sliding hub | Sprocket hub | Sliding and sprocket hub | A | B | C | D | E | F | | |
| FT 120-1C | 0,15 | 0,50° | 0,5 | 2,5 | 8 | 25 | 6 | Z=19 t=3/8" | 52,5 | 66,2 | 40,0 | 20,0 | 31,0 | 1,5 | 0,28 |
| FT 120-2C | 0,15 | 0,50° | 1 | 5 | 8 | 25 | 6 | Z=19 t=3/8" | 52,5 | 66,2 | 40,0 | 20,0 | 31,0 | 1,5 | 0,28 |
| FT 180-1C | 0,20 | 0,50° | 2 | 10 | 20 | 35 | 8 | Z=22 t=3/8" | 58,0 | 75,2 | 55,0 | 23,0 | 33,0 | 2,0 | 0,85 |
| FT 180-2C | 0,20 | 0,50° | 4 | 20 | 20 | 35 | 8 | Z=22 t=3/8" | 58,0 | 75,2 | 55,0 | 23,0 | 33,0 | 2,0 | 0,85 |
| FT 250-1C | 0,30 | 0,75° | 7 | 28 | 22 | 49 | 10 | Z=22 t=1/2" | 76,9 | 100,8 | 75,5 | 22,3 | 48,0 | 6,6 | 1,80 |
| FT 205-2C | 0,30 | 0,75° | 14 | 56 | 22 | 49 | 10 | Z=22 t=1/2" | 76,9 | 100,8 | 75,5 | 22,3 | 48,0 | 6,6 | 1,80 |
| FT 350-1C | 0,35 | 0,75° | 20 | 75 | 25 | 58 | 18 | Z=24 t=5/8" | 103,9 | 136,1 | 104,5 | 34,0 | 62,0 | 7,9 | 4,90 |
| FT 350-2C | 0,35 | 0,75° | 40 | 150 | 25 | 58 | 18 | Z=24 t=5/8" | 103,9 | 136,1 | 104,5 | 34,0 | 62,0 | 7,9 | 4,90 |
| FT 500-1C | 0,40 | 0,75° | 50 | 210 | 41 | 72 | 22 | Z=28 t=3/4" | 121,0 | 185,9 | 144,3 | 39,0 | 76,0 | 6,0 | 11,80 |
| FT 500-2C | 0,40 | 0,75° | 100 | 420 | 41 | 72 | 22 | Z=28 t=3/4" | 121,0 | 185,9 | 144,3 | 39,0 | 76,0 | 6,0 | 11,80 |
| FT 700-1C | 0,50 | 0,75° | 115 | 570 | 64 | 104 | 24 | Z=28 t=1" | 168,6 | 247,3 | 199,5 | 56,0 | 98,0 | 14,6 | 26,70 |
| FT 700-2C | 0,50 | 0,75° | 230 | 1140 | 64 | 104 | 24 | Z=28 t=1" | 168,6 | 247,3 | 199,5 | 56,0 | 98,0 | 14,6 | 26,70 |



Chain tools

| Chain breakers | | | |
|----------------|---------------|-------------------|-------------|
| Type | Pitch | For roller chains | |
| | | DIN | ANSI |
| CB 25-60 | 6,35 - 19,05 | 06B-08B-10B | 25-35-40 |
| | 1/4" - 3/4" | 12B | 50-60 |
| CB 60-100 | 19,05 - 31,75 | 12B-16B-20B | 60-80-100 |
| | 3/4" - 1.1/4" | | |
| CB 100-160 | 31,75 - 50,80 | 20B-24B-28B | 100-120-140 |
| | 1.1/4" - 2" | 32B | 160 |

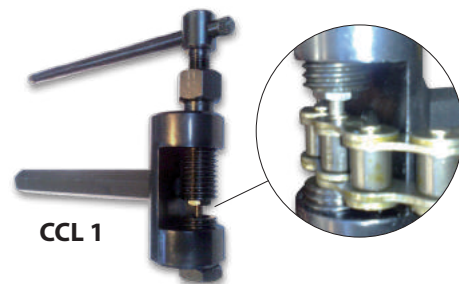


CB 25-60



CB-60-100

| Chain cutters | | |
|---------------|-------------------|--------------|
| Type | For roller chains | |
| | DIN | ANSI |
| CCM | 04-1 - 05B-1 | 25-1 - 35-1 |
| CCS | 06B-1 - 06B-2 | 35-1 - 35-2 |
| | 08B-1 | 40-1 |
| CCL 1 | 10B-1 - 12B-1 | 50-1 - 60-1 |
| | 16B-1 - 20B-1 | 80-1 - 100-1 |
| CCL 2 | 08B-2 - 10B-2 | 40-1 - 50-2 |
| | 12B-2 | 60-2 |



CCL 1

| Chain tensioners | | | |
|------------------|---------------|-------------------|-------------|
| Type | Pitch | For roller chains | |
| | | DIN | ANSI |
| CT 25-60 | 6,35 - 19,05 | 06B-08B-10B | 25-35-40 |
| | 1/4" - 3/4" | 12B | 50-60 |
| CT 60-100 | 19,05 - 31,75 | 12B-16B-20B | 60-80-100 |
| | 3/4" - 1.1/4" | | |
| CT 100-160 | 31,75 - 50,80 | 20B-24B-28B | 100-120-140 |
| | 1.1/4" - 2" | 32B | 160 |



CT 25-60

| Tool for removing and placing spring clips | | |
|--|-------------------|---------|
| Type | For roller chains | |
| | DIN | ANSI |
| TRP | 06B - 16B | 35 - 80 |



TRP

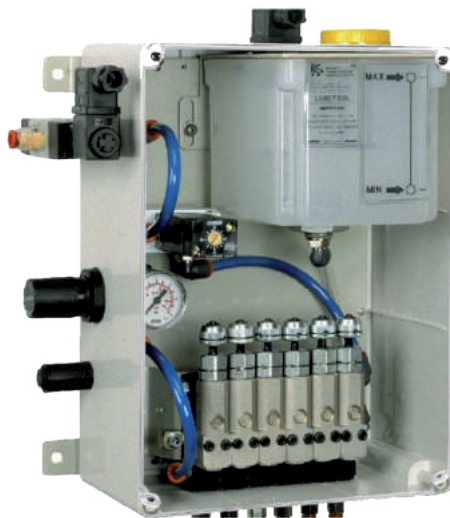
Lubrication system for roller- and conveyor chains



Conveyors Lubrication Mono and Bi Rail Systems

This system is designed to lubricate the rollers of conveyors while they are in operation and delivers a metered amount of lubricant into moving bearing fittings. These custom engineered lubrication systems are perfect for applications even in harsh operating conditions. Each conveyor requires one unit for the left side and for the right. The sequence of the lubrication events (each roller or every other roller, etc.) depends on the number of rollers.

The speed of the conveyor or on the distance between the rollers.

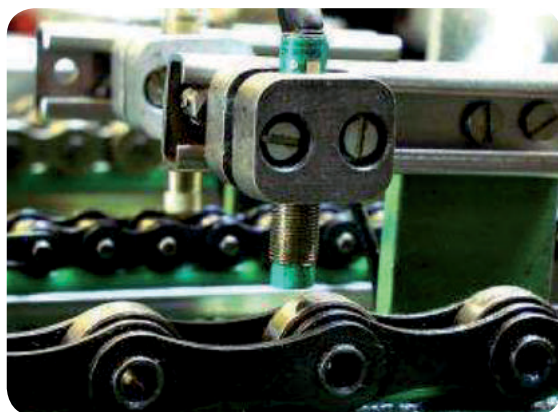
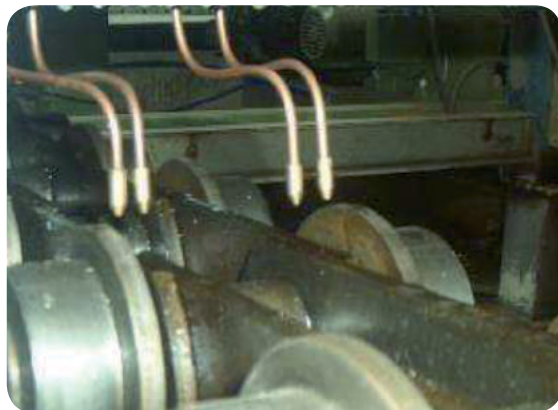


Benefits

- Metered application of lubricant.
- Works on moving parts which consuming time to lubricate manually.
- Lubricates while the conveyor is in normal operation – no lost production time.
- Lubrication even under harsh operation condition.

Functioning

System is formed by a reservoir which sends oil, by gravity, to the dispensing rooms of the pneumatic micropumps. Necessary air for the functioning of the pumps and the oil spray is sent on the passage of bearings that power pneumatic valves with mechanical control or inductive sensors, suitably positioned along railroad.

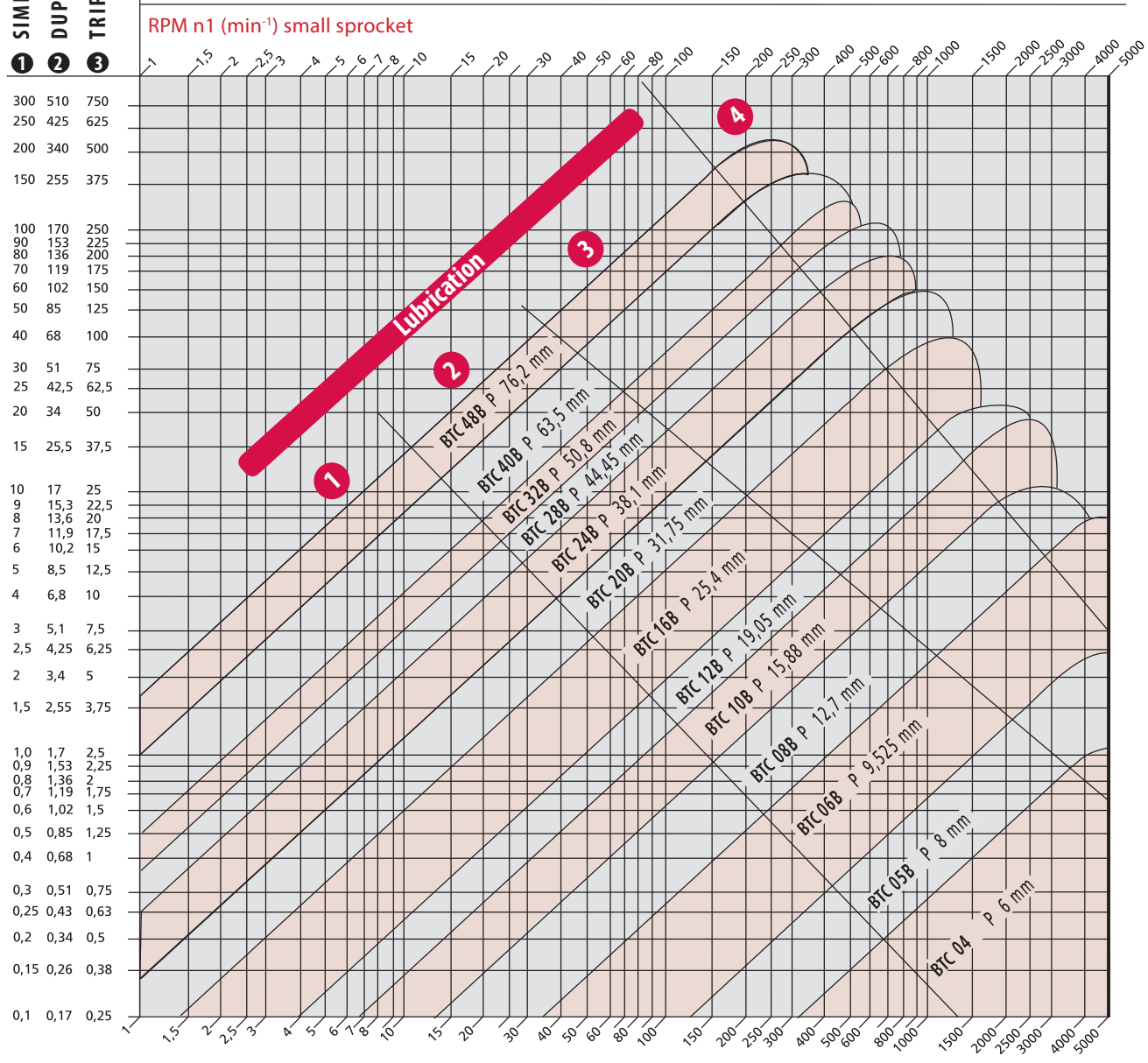




Technical information

P_D (kW) Power diagram for roller chains DIN 8187 - European standard

For drive Z1 = 23 teeth
 Chain length 120 links (for shorter lengths life of the roller chain goesproportional down) Ratio i = 3
 Service life : approx. 14 to 15.000 hours by temp. -8°C to + 80°C



Quality steel roller chain

$$P_D = P \cdot f_G$$

$$f_G = f_y \cdot f_z \cdot f_i \cdot f_a \cdot f_l$$

Stainless steel roller chain

$$P_D = P \cdot f_{SS}$$

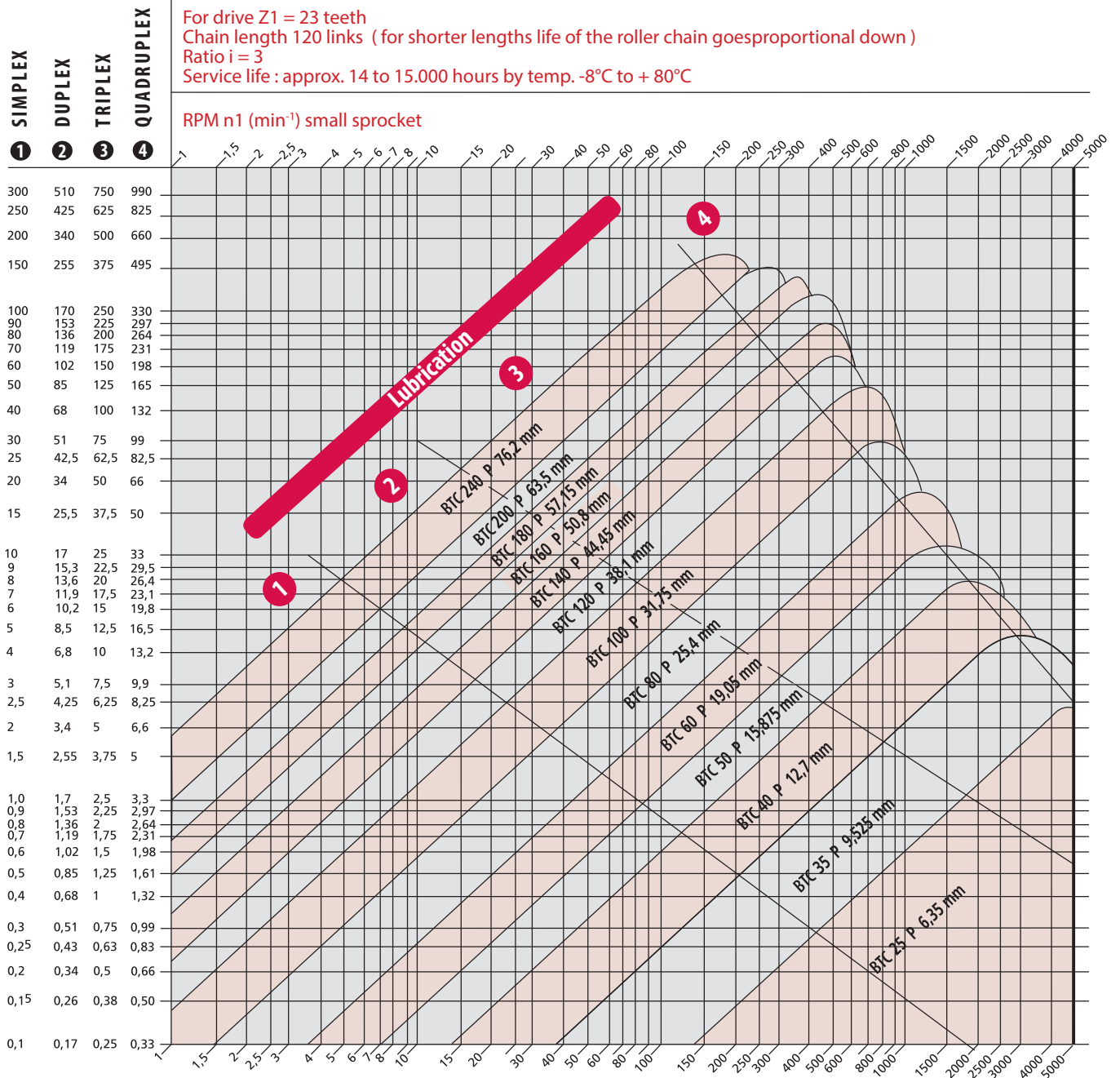
$$f_{SS} = f_w \cdot f_t \cdot f_v \cdot f_s$$



Technical information

P_D (kW) Power diagram for roller chains DIN 8188 - American standard

For drive Z1 = 23 teeth
 Chain length 120 links (for shorter lengths life of the roller chain goes proportional down)
 Ratio i = 3
 Service life : approx. 14 to 15.000 hours by temp. -8°C to + 80°C



Quality steel roller chain

$$P_D = P \cdot f_G$$

$$f_G = f_y \cdot f_z \cdot f_i \cdot f_a \cdot f_l$$

Stainless steel roller chain

$$P_D = P \cdot f_{SS}$$

$$f_{SS} = f_w \cdot f_t \cdot f_v \cdot f_s$$



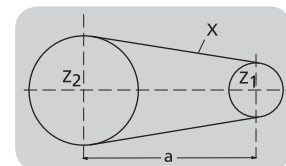
Calculation

$$z_1 = z_2 \quad x = \frac{2a}{p} + z$$

$$z_1 \neq z_2 \quad x = 2 \frac{a}{p} + \frac{z_1 + z_2}{2} + \frac{C}{a} p$$

Values for C $c = \frac{(z^2 - z_1^2)}{2p}$

| $z_2 - z_1$ | c | $z_2 - z_1$ | C | $z_2 - z_1$ | C | $z_2 - z_1$ | C | $z_2 - z_1$ | C |
|-------------|--------|-------------|--------|-------------|--------|-------------|---------|-------------|---------|
| 1 | 0,0253 | 21 | 11,171 | 41 | 42,580 | 61 | 94,254 | 81 | 166,191 |
| 2 | 0,1013 | 22 | 12,260 | 42 | 44,683 | 62 | 97,370 | 82 | 170,320 |
| 3 | 0,2280 | 23 | 13,400 | 43 | 46,836 | 63 | 100,536 | 83 | 174,450 |
| 4 | 0,4053 | 24 | 14,590 | 44 | 49,040 | 64 | 103,753 | 84 | 178,730 |
| 5 | 0,6333 | 25 | 15,831 | 45 | 51,294 | 65 | 107,021 | 85 | 183,011 |
| 6 | 0,912 | 26 | 17,123 | 46 | 53,599 | 66 | 110,339 | 86 | 187,342 |
| 7 | 1,241 | 27 | 18,466 | 47 | 55,955 | 67 | 113,708 | 87 | 191,724 |
| 8 | 1,621 | 28 | 19,859 | 48 | 58,361 | 68 | 117,128 | 88 | 196,157 |
| 9 | 2,052 | 29 | 21,303 | 49 | 60,818 | 69 | 120,598 | 89 | 200,640 |
| 10 | 2,533 | 30 | 22,797 | 50 | 63,326 | 70 | 124,119 | 90 | 205,174 |
| 11 | 3,065 | 31 | 24,342 | 51 | 65,884 | 71 | 127,690 | 91 | 209,759 |
| 12 | 3,648 | 32 | 25,938 | 52 | 68,493 | 72 | 131,313 | 92 | 214,395 |
| 13 | 4,281 | 33 | 27,585 | 53 | 71,153 | 73 | 134,986 | 93 | 219,081 |
| 14 | 4,965 | 34 | 29,282 | 54 | 73,963 | 74 | 138,709 | 94 | 223,817 |
| 15 | 5,699 | 35 | 31,030 | 55 | 76,824 | 75 | 142,483 | 95 | 228,605 |
| 16 | 6,485 | 36 | 32,828 | 56 | 79,736 | 76 | 146,308 | 96 | 233,443 |
| 17 | 7,320 | 37 | 34,677 | 57 | 82,698 | 77 | 150,184 | 97 | 238,322 |
| 18 | 8,207 | 38 | 36,577 | 58 | 85,711 | 78 | 154,110 | 98 | 243,271 |
| 19 | 9,144 | 39 | 38,527 | 59 | 88,775 | 79 | 158,087 | 99 | 248,261 |
| 20 | 10,132 | 40 | 40,529 | 60 | 91,889 | 80 | 162,115 | 100 | 253,302 |



The calculated number of pitches should be rounded up to a whole number of even pitches.

Avoid odd numbers of pitches because this involves the use of an offset link which is undesirable.

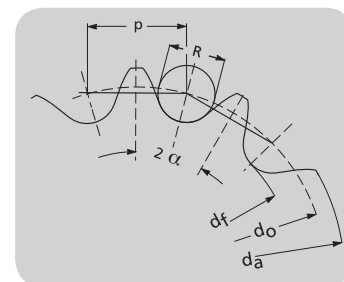
Remember, offset links offer only 80 % of the breaking load and 60 % of the fatigue load.

Pitch circle diameter calculation (pcd)

$$d_o = \frac{P}{\sin \alpha} = \frac{P}{\sin 180^\circ / z} = p n$$

Values for n $d_o = p n$

| z | n | z | n | z | n | z | n | z | n | z | n | z | n |
|----|--------|----|---------|----|---------|----|---------|----|---------|----|---------|-----|---------|
| 6 | 2,0000 | 21 | 6,7095 | 36 | 11,4737 | 51 | 16,2441 | 66 | 21,0164 | 81 | 25,7896 | 96 | 30,5632 |
| 7 | 2,3048 | 22 | 7,0267 | 37 | 11,7916 | 52 | 16,5622 | 67 | 21,3346 | 82 | 26,1078 | 97 | 30,8815 |
| 8 | 2,6131 | 23 | 7,3439 | 38 | 12,1096 | 53 | 16,8803 | 68 | 21,6528 | 83 | 26,4260 | 98 | 31,1997 |
| 9 | 2,9238 | 24 | 7,6613 | 39 | 12,4275 | 54 | 17,1984 | 69 | 21,9710 | 84 | 26,7443 | 99 | 31,5180 |
| 10 | 3,2361 | 25 | 7,9787 | 40 | 12,7455 | 55 | 17,5166 | 70 | 22,2892 | 85 | 27,0625 | 100 | 31,8362 |
| 11 | 3,5495 | 26 | 8,2962 | 41 | 13,0635 | 56 | 17,8347 | 71 | 22,6074 | 86 | 27,3808 | 101 | 32,1545 |
| 12 | 3,8637 | 27 | 8,6138 | 42 | 13,3815 | 57 | 18,1529 | 72 | 22,9256 | 87 | 27,6990 | 102 | 32,4727 |
| 13 | 4,1786 | 28 | 8,9314 | 43 | 13,6995 | 58 | 18,4710 | 73 | 23,2438 | 88 | 28,0172 | 103 | 32,7910 |
| 14 | 4,4940 | 29 | 9,2491 | 44 | 14,0176 | 59 | 18,7892 | 74 | 23,5620 | 89 | 28,3355 | 104 | 33,1093 |
| 15 | 4,8097 | 30 | 9,5668 | 45 | 14,3356 | 60 | 19,1073 | 75 | 23,8802 | 90 | 28,6537 | 105 | 33,4275 |
| 16 | 5,1258 | 31 | 9,8845 | 46 | 14,6537 | 61 | 19,4255 | 76 | 24,1984 | 91 | 28,9720 | 106 | 33,7458 |
| 17 | 5,4422 | 32 | 10,2023 | 47 | 14,9717 | 62 | 19,7437 | 77 | 24,5167 | 92 | 29,2902 | 107 | 34,0641 |
| 18 | 5,7588 | 33 | 10,5201 | 48 | 15,2898 | 63 | 20,0619 | 78 | 24,8349 | 93 | 29,6084 | 108 | 34,3823 |
| 19 | 6,0755 | 34 | 10,8380 | 49 | 15,6079 | 64 | 20,3800 | 79 | 25,1531 | 94 | 29,9267 | 109 | 34,7006 |
| 20 | 6,3925 | 35 | 11,1558 | 50 | 15,9260 | 65 | 20,6982 | 80 | 25,4713 | 95 | 30,2449 | 110 | 35,0188 |



Outside diameter d_a

$$\begin{aligned} d_a \text{ Z } 6 - 12 &= d_o + 0,6 R \\ \text{Z } 13 - 25 &= d_o + 0,7 R \\ \text{Z } > 25 &= d_o + 0,8 R \end{aligned}$$

Bottom diameter d_f

$$d_f = d_o - R \quad \text{Tolerance h11}$$

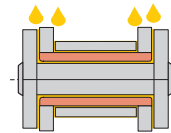
Width of teeth for single strand chain B_1

$$B_1 = W, 0,9$$

Formules and parameters

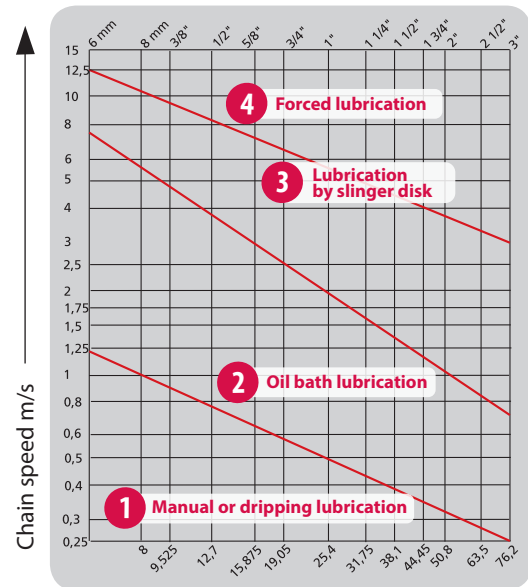
| Description | Symbol | Unit | Basic equations |
|----------------------------------|-------------------|-------------------|---|
| rpm | n | min ⁻¹ | $n = \frac{60000 \cdot v}{d_o \cdot p} \sim \frac{60000 \cdot v d}{z \cdot p}$ |
| Total Service correction factor | f _G | | $f_G = f_y \cdot f_z \cdot f_i \cdot f_a \cdot f_l$ |
| Torque | M | Nm | $M = \frac{9550P}{n} = \frac{F_t \cdot d_o}{2000}$ |
| Power | P | kW | $P = \frac{F_t \cdot v}{1000} = \frac{M \cdot n}{9550}$ |
| Power diagram | P _D | kW | $P_D = P \cdot f_G$ |
| Chain load | F | N | $F = \frac{1000 \cdot P}{v} = \frac{2000 \cdot M}{d_o}$ |
| Tensile strenght (Breaking load) | F _B | N/LB | |
| Average tensile strength | F _{BA} | N/LB | |
| Bearing pressure | pr | N/mm ² | $pr = \frac{F_G}{f}$ |
| Admissible bearing pressure | pr _{adm} | N/mm ² | $pr_{zul} = \frac{pr_{zulDiagram}}{f_l}$ |
| Speed | v | m/s | $v = \frac{1000 \cdot P}{F} = \frac{d_o \cdot p \cdot n}{60000} \sim \frac{z \cdot p \cdot n}{60000}$ |
| Pitch diameter | d _o | mm | $d_o = \frac{p}{\sin \frac{180^\circ}{z}} \sim \frac{z \cdot p}{p}$ |
| Pitch | p | mm | |
| Drive ratio | i | | $i = \frac{n^1}{n^2} = \frac{z^2}{z^1}$ |
| Centre distance | a | mm | |
| Number of teeth | z | | |
| Number of links | X | | |
| Dynamic chain load | F _{dyn} | N | $F_{dyn} = F \cdot f_y$ |
| Centrifugal force | F _F | N | $F_F = q \cdot v^2$ |
| Total load | F _G | N | $F_G = F_{dyn} + F_F$ |
| Chain weight | q | kg/m | |
| Service factor | f _y | | |
| Transmission ratio | f _i | | |
| Centre distance factor | f _a | | |
| Sprocket size factor | f _z | | |
| Lubrication factor | f _l | | |
| Fatigue strength | F _D | N | |
| Rated working load | F _{adm} | N | |
| Safety factor (static) | S _{stat} | | $S_{stat} = \frac{F_B}{F_G}$ |
| Safety factor (dynamic) | S _{dyn} | | $S_{dyn} = \frac{F_D}{F_G}$ |

1 kW = 1,34 HP 1 HP = 0,746 kW 1N = 0,102 kg 1kg = 9,8 N



Lubrication

Recommendations for lubrication



Correct lubrication depends on the working environment, temperature, chain speed and the type of lubrication.

For most applications in the temperature range of - 8 to + 80 °C a mineral or synthetic, non-detergent, multigrade SAE 20/50 oil is recommended.

Grease lubrication is generally considered unsuitable for roller chains.

f_l Relevant lubrication factor

| Chain speed = v m/s | < 4 | 4-7 | > 7 |
|----------------------------|-----|-----|-----|
| Lubrication | | | |
| Good | 1 | 1 | 1 |
| Insufficient, non-polluted | 1,4 | 2,5 | N |
| Insufficient, contaminated | 2,5 | 4 | N |
| Not lubricated | 5 | N | N |

f_i Transmission ratio factor

| i | 1:1 | 2:1 | 3:1 | 5:1 | 7:1 |
|----------------|------|------|-----|------|------|
| f _i | 1,22 | 1,08 | 1 | 0,92 | 0,86 |

f_a Transmission ratio factor

| a/p | 20 | 40 | 60 | 80 | 160 | a = in number of links |
|----------------|------|----|------|------|------|------------------------|
| f _a | 1,18 | 1 | 0,91 | 0,87 | 0,69 | |

Centre distances recommended

| Pitch | inch | 3/8" | 1/2" | 5/8" | 3/4" | 1" | 1 1/4" |
|-------|------|--------|--------|-------|--------|------|--------|
| mm | | 9,525 | 12,7 | 15,88 | 19,05 | 25,4 | 31,75 |
| a | mm | 450 | 600 | 750 | 900 | 1000 | 1200 |
| Pitch | inch | 1 1/2" | 1 3/4" | 2" | 2 1/2" | 3" | |
| mm | | 38,1 | 44,45 | 50,8 | 63,5 | 76,2 | |
| a | mm | 1350 | 1500 | 1700 | 1800 | 2000 | |



MURTFELDT



SOLUTIONS IN PLASTICS

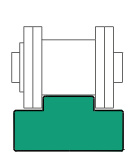
CUSTOM FINISHED PRODUCTS | SEMI-FINISHED PRODUCTS | CHAIN GUIDES | CHAIN TENSIONERS

Overview of chain guides

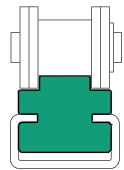
For roller chains (DIN 8187) and round link chains (DIN 766/764)

Murtfeldt offers an extensive standard range of guides for roller chains. We have a total of 20 different types of guide for roller chains and four for round link chains. You can also choose between our high-quality Original Material "S"[®]Green and our more economical Material "S"[®]1000 Green.

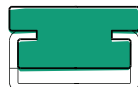
Chain guides for roller chains as per DIN 8187 (DIN 8188 catalogue on request)



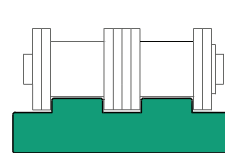
Type T - p.101



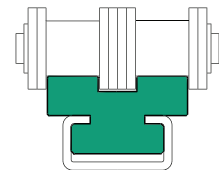
Type CT - p.102



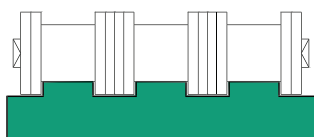
Type CF - p.103



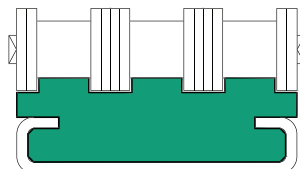
Type T-Duplex - p.104



Type CT-Duplex- p.105



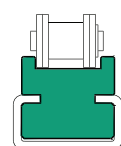
Type T-Triplex - p.106



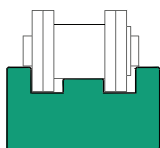
Type CT-Triplex - p.106



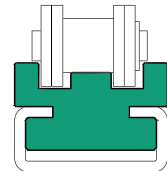
Type TU - p.107



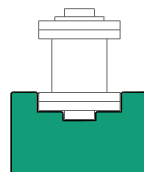
Type CTU - p.107



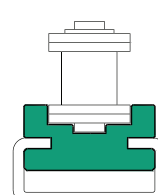
Type TS - p.108



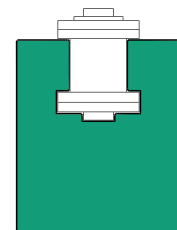
Type CTS - p.109



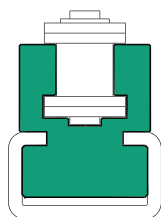
Type U - p.110



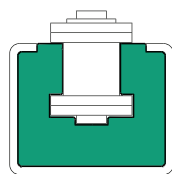
Type CU - p.111



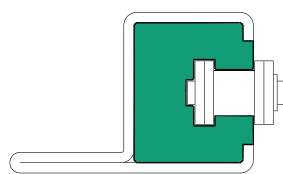
Type K - p.112



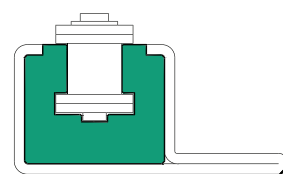
Type CK - p.113



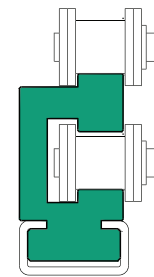
Type CKG - p.114



Type CKG 14H - p.115

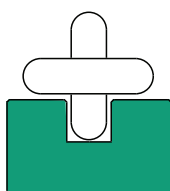


Type CKG 15V - p.116

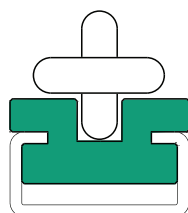


Type ETA - p.117

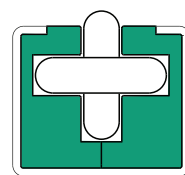
Chain guides for round link chains as per DIN 766/764



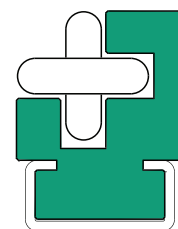
Type R - p.118



Type CRU - p.118



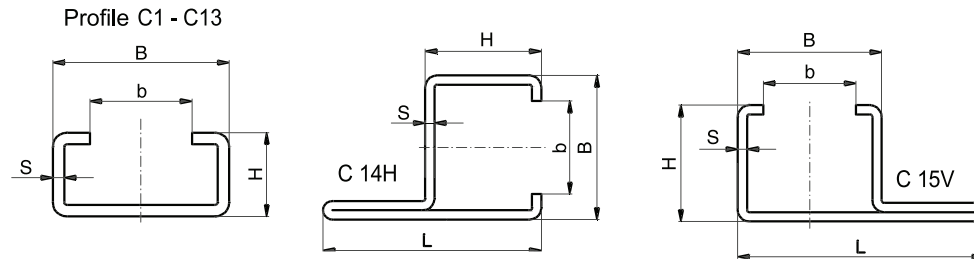
Type CRG - p.119



Type CRO - p.119

Selection table

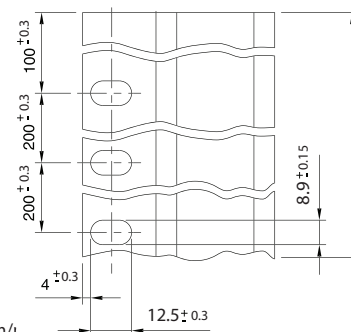
Galvanized, nongalvanized or stainless steel C profiles



| Profile No. | B | H | b | s | L | Length | Article no. galvanized | Article no. V2A | Article no. nongalvanized |
|-------------|----|-----|------|-----|----|--------|------------------------|-----------------|---------------------------|
| C1 | 24 | 5.2 | 17.5 | 1 | - | 2000 | 351 020 001 | 351 020 101 | |
| | | | | | | 3000 | 351 030 001 | 351 030 101 | |
| | | | | | | 6000 | 351 060 001 | 351 060 101 | |
| C3 | 20 | 10 | 10 | 1.5 | - | 2000 | 351 020 003 | 351 020 103 | |
| | | | | | | 3000 | 351 030 003 | 351 030 103 | |
| | | | | | | 6000 | 351 060 003 | 351 060 103 | 351 060 203 |
| C4 | 50 | 10 | 35 | 2 | - | 2000 | 351 020 004 | 351 020 104 | |
| | | | | | | 6000 | 351 060 004 | 351 060 104 | |
| C5 | 28 | 12 | 14 | 2 | - | 2000 | 351 020 005 | 351 020 105 | |
| | | | | | | 3000 | 351 030 005 | 351 030 105 | |
| | | | | | | 6000 | 351 060 005 | 351 060 105 | 351 060 205 |
| C6 | 80 | 10 | 65 | 2 | - | 2000 | 351 020 006 | 351 020 106 | |
| | | | | | | 6000 | 351 060 006 | 351 060 106 | |
| C7 | 28 | 16 | 14 | 2.5 | - | 2000 | 351 020 007 | 351 020 107 | |
| | | | | | | 6000 | 351 060 007 | 351 060 107 | 351 060 207 |
| C9 | 38 | 18 | 22 | 2.5 | - | 2000 | 351 020 009 | 351 020 109 | |
| | | | | | | 3000 | 351 030 009 | 351 030 109 | |
| | | | | | | 6000 | 351 060 009 | 351 060 109 | 351 060 209 |
| C10 | 30 | 24 | 20 | 1.5 | - | 2000 | 351 020 010 | 351 020 110 | |
| | | | | | | 6000 | 351 060 010 | 351 060 110 | 351 060 210 |
| C11 | 45 | 40 | 31 | 2 | - | 2000 | 351 020 011 | 351 020 111 | |
| | | | | | | 6000 | 351 060 011 | 351 060 111 | 351 060 211 |
| C12 | 60 | 20 | 36 | 2.5 | - | 2000 | 351 020 012 | 351 020 112 | |
| | | | | | | 6000 | 351 060 012 | 351 060 112 | |
| C13 | 65 | 55 | 40 | 3 | - | 2000 | 351 020 013 | 351 020 113 | |
| | | | | | | 6000 | 351 060 013 | 351 060 113 | |
| C14 H | 31 | 25 | 20 | 2 | 47 | 2000 | 351 020 014 | 351 020 114 | |
| | | | | | | 3000 | 351 030 014 | 351 030 114 | |
| | | | | | | 6000 | 351 060 014 | 351 060 114 | |
| C15 V | 31 | 25 | 20 | 2 | 53 | 2000 | 351 020 015 | 351 020 115 | |
| | | | | | | 3000 | 351 030 015 | 351 030 115 | |
| | | | | | | 6000 | 351 060 015 | 351 060 115 | |

Dimensions in mm

C14H and C15V steel profile:
with punch hole in mounting



Hole spacing aggregate tolerance: Max. 0.75mm/l

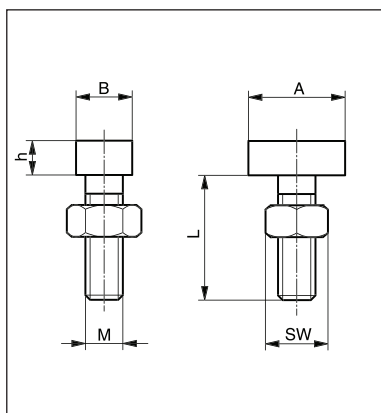
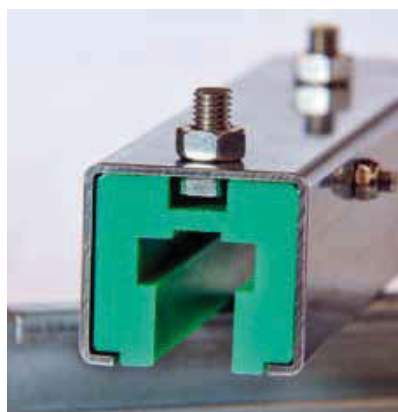
T-Head bolts

Galvanized / stainless steel



| Thread (M x L) | Suitable for these steel C profiles | A in mm | B in m | h in mm | Material | Article no. | Type |
|----------------|--|---------|--------|---------|------------|-------------|-------|
| M6x20 | C1, C3, C4, C5, C6, C7, C9, C10, C11, C12, C13 | 18.0 | 9.5 | 4 | galvanised | 352010001 | - |
| M6x20 | C1, C4, C5, C6, C7, C9, C12 | 15.5 | 9.0 | 6 | galvanised | 352010005 | 20/12 |
| M6x30 | C1, C4, C5, C6, C7, C9, C12 | 15.5 | 9.0 | 6 | galvanised | 352010003 | 20/12 |
| M6x40 | C1, C4, C5, C6, C7, C9, C12 | 15.5 | 9.0 | 6 | galvanised | 352010004 | 20/12 |
| M8x20 | C4, C6, C7, C9, C12 | 15.5 | 9.0 | 6 | galvanised | 352010008 | 20/12 |
| M8x30 | C4, C6, C7, C9, C12 | 15.5 | 9.0 | 6 | galvanised | 352010006 | 20/12 |
| M8x40 | C4, C6, C7, C9, C12 | 15.5 | 9.0 | 6 | galvanised | 352010007 | 20/12 |
| M8x20 | C4, C6, C7, C9, C12 | 23.0 | 11.0 | 6 | galvanised | 352010011 | 28/15 |
| M8x30 | C4, C6, C7, C9, C12 | 23.0 | 11.0 | 6 | galvanised | 352010019 | 28/15 |
| M8x40 | C4, C6, C7, C9, C12 | 23.0 | 11.0 | 6 | galvanised | 352010014 | 28/15 |
| M10x20 | C4, C6, C7, C9, C11, C12, C13 | 23.0 | 11.0 | 7 | galvanised | 352010020 | 28/15 |
| M10x30 | C4, C6, C7, C9, C11, C12, C13 | 23.0 | 11.0 | 7 | galvanised | 352010012 | 28/15 |
| M10x40 | C4, C6, C7, C9, C11, C12, C13 | 23.0 | 11.0 | 7 | galvanised | 352010013 | 28/15 |
| M10x20 | C6, C9, C12 | 31.0 | 13.5 | 9 | galvanised | 352010015 | 38/17 |
| M10x30 | C6, C9, C12 | 31.0 | 13.5 | 9 | galvanised | 352010016 | 38/17 |
| M12x40 | C6, C11, C12, C13 | 31.0 | 13.5 | 9 | galvanised | 352010017 | 38/17 |
| M6x20 | C1, C3, C4, C5, C6, C7, C9, C10, C11, C12, C13 | 18.0 | 9.5 | 4 | V2A | 352010002 | - |
| M8x20 | C4, C6, C7, C9, C12 | 15.5 | 9.0 | 6 | V2A | 352010025 | 20/12 |
| M8x30 | C4, C6, C7, C9, C12 | 15.5 | 9.0 | 6 | V2A | 352010026 | 20/12 |

Please speak with our application technology department to determine the best T-head screw for your needs. We can provide the appropriate models including nuts for one-track and two-track connections.



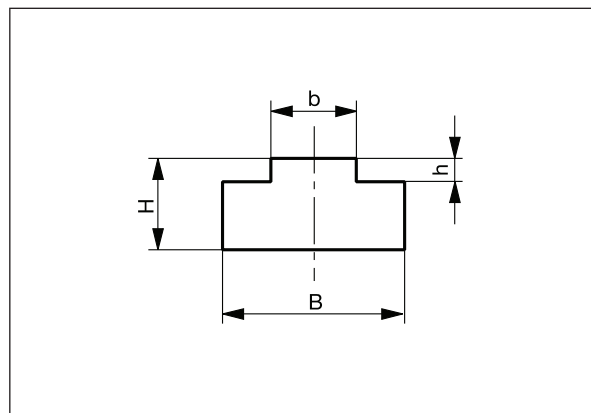
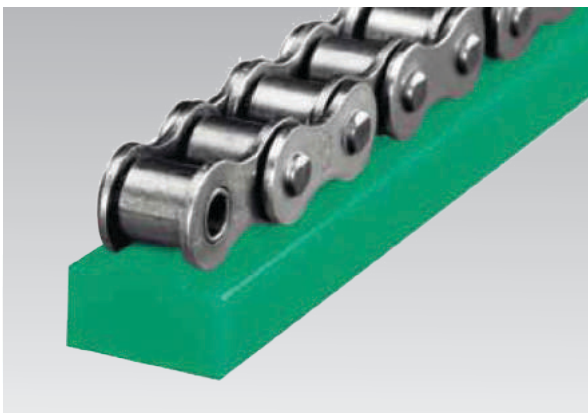
Chain guides for Roller Chains as per DIN 8187

Type T




| DIN 8187 chain no | Chain dimensions in inches | B | H | b | h | Article no. |
|-------------------|----------------------------|----|----|------|-----|-------------|
| 06B-1 | 3/8" x 7/32" | 15 | 10 | 5,4 | 1,5 | 221 010 002 |
| 083-1 | 1/2" x 3/16" | 15 | 10 | 4,5 | 1,5 | 221 010 003 |
| 085-1 | 1/2" x 1/4" | 20 | 10 | 6,2 | 2,2 | 221 010 004 |
| 08B-1 | 1/2" x 5/16" | 20 | 10 | 7,4 | 2,2 | 221 010 005 |
| 08B-1 | 1/2" x 5/16" | 20 | 15 | 7,4 | 2,2 | 221 010 006 |
| 08B-1 | 1/2" x 5/16" | 20 | 20 | 7,4 | 2,2 | 221 010 007 |
| 08B-1 | 1/2" x 5/16" | 20 | 30 | 7,4 | 2,2 | 221 010 008 |
| - | 5/8" x 1/4" | 20 | 10 | 6,2 | 2,6 | 221 010 009 |
| 10B-1 | 5/8" x 3/8" | 20 | 10 | 9,3 | 2,6 | 221 010 010 |
| 10B-1 | 5/8" x 3/8" | 20 | 15 | 9,3 | 2,6 | 221 010 011 |
| 10B-1 | 5/8" x 3/8" | 20 | 20 | 9,3 | 2,6 | 221 010 012 |
| 10B-1 | 5/8" x 3/8" | 20 | 30 | 9,3 | 2,6 | 221 010 013 |
| 12B-1 | 3/4" x 7/16" | 25 | 10 | 11,3 | 2,4 | 221 010 014 |
| 12B-1 | 3/4" x 7/16" | 25 | 15 | 11,3 | 2,4 | 221 010 015 |
| 12B-1 | 3/4" x 7/16" | 25 | 20 | 11,3 | 2,4 | 221 010 016 |
| 12B-1 | 3/4" x 7/16" | 25 | 30 | 11,3 | 2,4 | 221 010 017 |
| 16B-1 | 1" x 17 mm | 40 | 15 | 16,0 | 3,5 | 221 010 018 |
| 16B-1 | 1" x 17 mm | 40 | 20 | 16,0 | 3,5 | 221 010 019 |
| 16B-1 | 1" x 17 mm | 40 | 30 | 16,0 | 3,5 | 221 010 020 |
| 20B-1 | 1 1/4" x 3/4" | 45 | 15 | 18,0 | 4,2 | 221 010 021 |
| 24B-1 | 1 1/2" x 1" | 60 | 15 | 24,0 | 5,5 | 221 010 022 |
| 28B-1 | 1 3/4" x 31 mm | 75 | 20 | 30,0 | 6,8 | 221 010 023 |
| 32B-1 | 2" x 31 mm | 80 | 20 | 30,0 | 7,7 | 221 010 024 |

Dimensions in mm - Separate ASA/JIS product catalogue available.

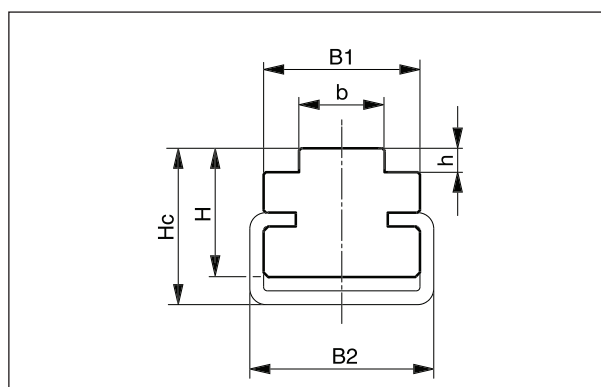
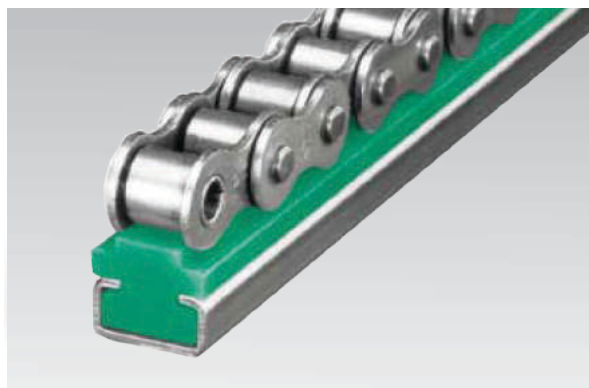


Type CT



| DIN8187 chain no. | Chain dimensions in inches | C profile type  | B1 | B2 | H | Hc | b | h | Article no. |
|-------------------|----------------------------|---|----|----|----|----|------|-----|-------------|
| 06B-1 | 3/8" x 7/32" | | 17 | | 14 | 17 | 5.4 | 1.5 | 221 210 015 |
| | | C3 | | 20 | | | | | 351 020 003 |
| 083-1 | 1/2" x 3/16" | | 17 | | 14 | 17 | 4.5 | 1.5 | 221 210 002 |
| | | C3 | | 20 | | | | | 351 020 003 |
| 085-1 | 1/2" x 1/4" | | 17 | | 14 | 17 | 6.2 | 2.2 | 221 210 003 |
| | | C3 | | 20 | | | | | 351 020 003 |
| 08B-1 | 1/2" x 5/16" | | 20 | | 10 | 11 | 7.4 | 2.2 | 221 210 001 |
| | | C1 | | 24 | | | | | 351 020 001 |
| 08B-1 | 1/2" x 5/16" | | 17 | | 14 | 17 | 7.4 | 2.2 | 221 210 004 |
| | | C3 | | 20 | | | | | 351 020 003 |
| - | 5/8" x 1/4" | | 17 | | 14 | 17 | 6.2 | 2.6 | 221 210 005 |
| | | C3 | | 20 | | | | | 351 020 003 |
| 10B-1 | 5/8" x 3/8" | | 17 | | 14 | 17 | 9.3 | 2.6 | 221 210 006 |
| | | C3 | | 20 | | | | | 351 020 003 |
| 12B-1 | 3/4" x 7/16" | | 20 | | 14 | 17 | 11.3 | 2.4 | 221 210 007 |
| | | C3 | | 20 | | | | | 351 020 003 |
| 12B-1 | 3/4" x 7/16" | | 24 | | 14 | 18 | 11.3 | 2.4 | 221 210 008 |
| | | C5 | | 28 | | | | | 351 020 005 |
| 16B-1 | 1" x 17 mm | | 24 | | 14 | 18 | 16 | 3.5 | 221 210 009 |
| | | C5 | | 28 | | | | | 351 020 005 |
| 20B-1 | 1 1/4" x 3/4" | | 28 | | 14 | 18 | 18 | 4.2 | 221 210 010 |
| | | C5 | | 28 | | | | | 351 020 005 |
| 24B-1 | 1 1/2" x 1" | | 33 | | 23 | 30 | 24 | 5.5 | 221 210 011 |
| | | C9 | | 38 | | | | | 351 020 009 |
| 28B-1 | 1 3/4" x 31 mm | | 33 | | 23 | 30 | 30 | 6.8 | 221 210 012 |
| | | C9 | | 38 | | | | | 351 020 009 |
| 32B-1 | 2" x 31 mm | | 33 | | 23 | 30 | 30 | 7.7 | 221 210 013 |
| | | C9 | | 38 | | | | | 351 020 009 |
| 32B-1 | 2" x 31 mm | | 60 | | 25 | 35 | 30 | 7.7 | 221 210 014 |
| | | C12 | | 60 | | | | | 351 020 012 |

Dimensions in mm · Separate ASA/JIS product catalogue available.

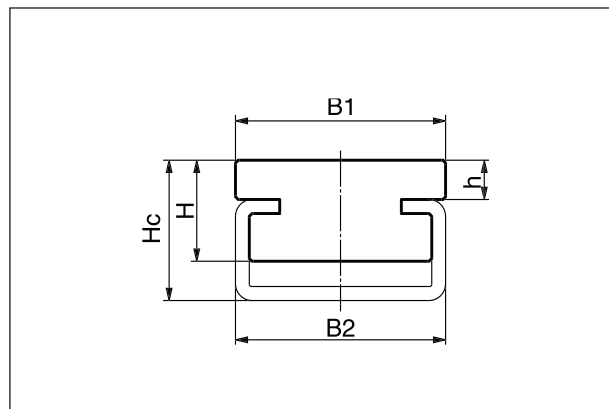
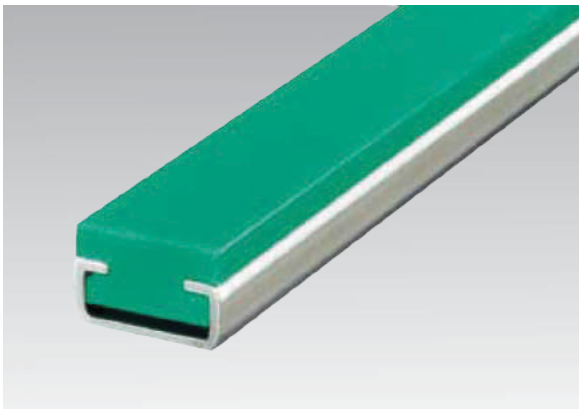


Type CF



| Type | C profile type | B1 | B2 | H | Hc | h | Article no. |
|------|----------------|----|----|----|----|------|-------------|
| CF | | 20 | | 5 | 6 | 1.0 | 211 010 001 |
| | C1 | | 24 | | | | 351 020 001 |
| CF | | 20 | | 10 | 11 | 5.8 | 211 010 002 |
| | C1 | | 24 | | | | 351 020 001 |
| CF | | 20 | | 10 | 14 | 4.0 | 211 010 003 |
| | C3 | | 20 | | | | 351 020 003 |
| CF | | 20 | | 14 | 17 | 7.0 | 211 010 004 |
| | C3 | | 20 | | | | 351 020 003 |
| CF | | 20 | | 16 | 20 | 10.0 | 211 010 005 |
| | C3 | | 20 | | | | 351 020 003 |
| CF | | 28 | | 10 | 15 | 3.0 | 211 010 006 |
| | C5 | | 28 | | | | 351 020 005 |
| CF | | 28 | | 14 | 18 | 6.0 | 211 010 007 |
| | C5 | | 28 | | | | 351 020 005 |
| CF | | 38 | | 12 | 22 | 4.0 | 211 010 008 |
| | C9 | | 38 | | | | 351 020 009 |
| CF | | 38 | | 18 | 25 | 7.0 | 211 010 009 |
| | C9 | | 38 | | | | 351 020 009 |
| CF | | 60 | | 20 | 30 | 10.0 | 211 010 010 |
| | C12 | | 60 | | | | 351 020 012 |
| CF | | 50 | | 18 | 20 | 10.0 | 211 010 011 |
| | C4 | | 50 | | | | 351 020 004 |
| CF | | 80 | | 18 | 20 | 10.0 | 211 010 012 |
| | C6 | | 80 | | | | 351 020 006 |

Dimensions in mm.

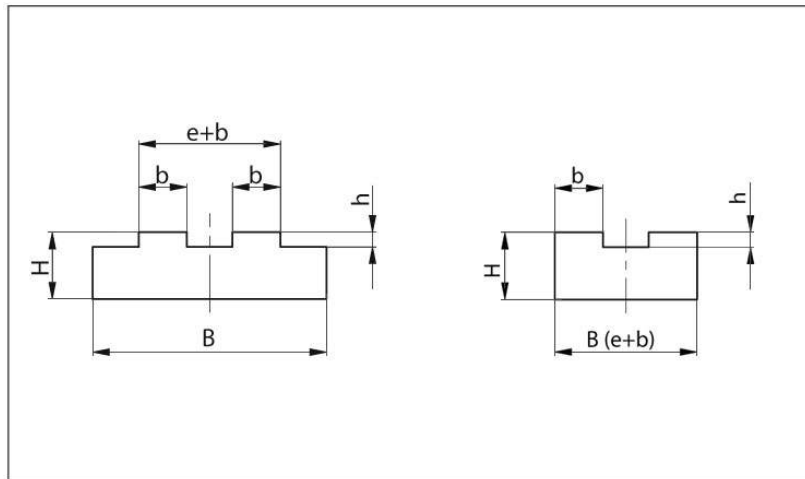
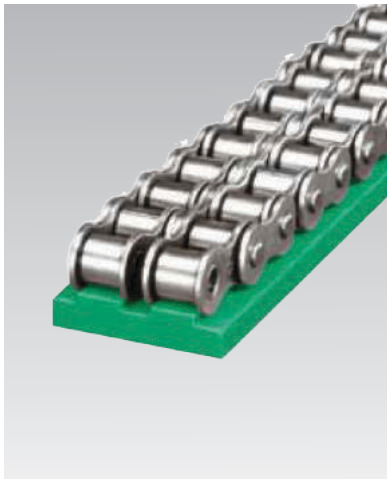


Type T-Duplex



| DIN8187 chain no. | Chain dimensions in inches | B | H | b | h | e+b | Article no. |
|-------------------|----------------------------|------|----|------|-----|------|-------------|
| 06B-2 | 3/8" x 7/32" | 25.0 | 10 | 5.3 | 1.5 | 15.6 | 221 010 025 |
| 08B-2 | 1/2" x 5/16" | 35.0 | 10 | 7.2 | 2.2 | 21.2 | 221 010 026 |
| 08B-2 | 1/2" x 5/16" | 35.0 | 15 | 7.2 | 2.2 | 21.2 | 221 010 027 |
| 08B-2 | 1/2" x 5/16" | 35.0 | 20 | 7.2 | 2.2 | 21.2 | 221 010 028 |
| 08B-2 | 1/2" x 5/16" | 35.0 | 30 | 7.2 | 2.2 | 21.2 | 221 010 029 |
| 10B-2 | 5/8" x 3/8" | 40.0 | 10 | 9.0 | 2.6 | 25.6 | 221 010 030 |
| 12B-2 | 3/4" x 7/16" | 45.0 | 15 | 10.9 | 2.4 | 30.4 | 221 010 031 |
| 12B-2 | 3/4" x 7/16" | 45.0 | 10 | 10.9 | 2.4 | 30.4 | 221 010 032 |
| 16B-2 | 1" x 17 mm | 47.8 | 15 | 15.8 | 3.5 | 47.8 | 221 010 033 |
| 20B-2 | 1 1/4" x 3/4" | 54.7 | 15 | 18.2 | 4.2 | 54.7 | 221 010 034 |
| 24B-2 | 1 1/2" x 1" | 72.0 | 20 | 23.6 | 5.5 | 72.0 | 221 010 035 |
| 28B-2 | 1 3/4" x 31 mm | 88.4 | 25 | 28.8 | 6.8 | 88.4 | 221 010 036 |
| 32B-2 | 2" x 31 mm | 87.4 | 30 | 28.8 | 7.7 | 87.4 | 221 010 037 |

Dimensions in mm. Separate ASA/JIS product catalogue available.

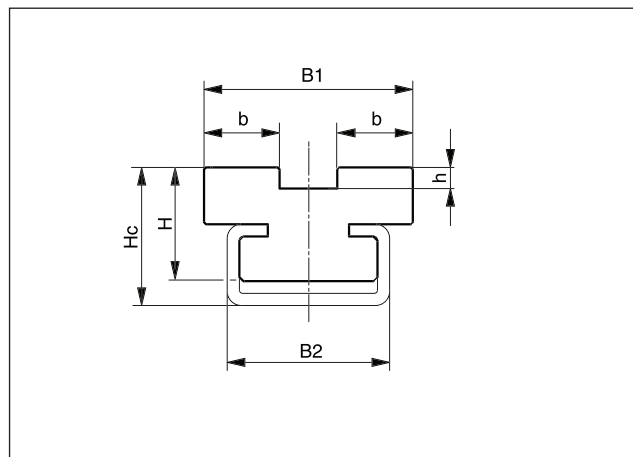
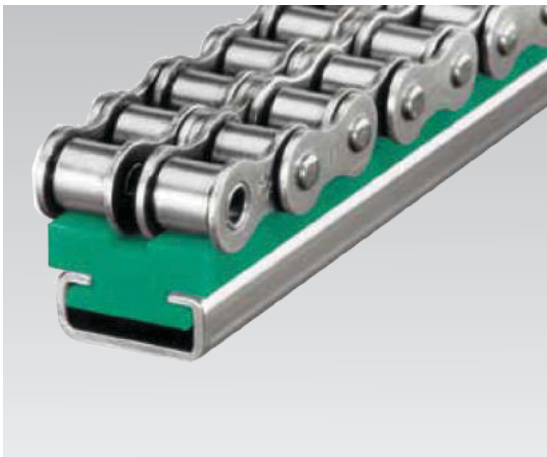


Type CT-Duplex



| DIN8187 chain no. | Chain dimensions in inches | C profile type | B1 | B2 | H | Hc | b | h | Article no. |
|-------------------|----------------------------|----------------|------|----|----|----|------|-----|-------------|
| 06B-2 | 3/8" x 7/32" | C3 | 15.6 | 20 | 14 | 17 | 5.3 | 1.5 | 221 210 022 |
| | | | | | | | | | 351 020 003 |
| 08B-2 | 1/2" x 5/16" | C3 | 21.2 | 20 | 14 | 17 | 7.2 | 2.2 | 221 210 016 |
| | | | | | | | | | |
| 10B-2 | 5/8" x 3/8" | C3 | 25.6 | 20 | 14 | 17 | 9.0 | 2.6 | 221 210 017 |
| | | | | | | | | | |
| 12B-2 | 3/4" x 7/16" | C5 | 30.4 | 28 | 15 | 20 | 10.9 | 2.4 | 221 210 018 |
| | | | | | | | | | |
| 16B-2 | 1" x 17 mm | C9 | 47.8 | 38 | 20 | 27 | 15.8 | 3.5 | 221 210 019 |
| | | | | | | | | | |
| 20B-2 | 1 1/4" x 3/4" | C12 | 54.7 | 60 | 22 | 30 | 18.2 | 4.2 | 221 210 020 |
| | | | | | | | | | |
| 24B-2 | 1 1/2" x 1" | C12 | 72.0 | 60 | 25 | 35 | 23.6 | 5.5 | 221 210 021 |
| | | | | | | | | | |

Dimensions in mm. Separate ASA/JIS product catalogue available.

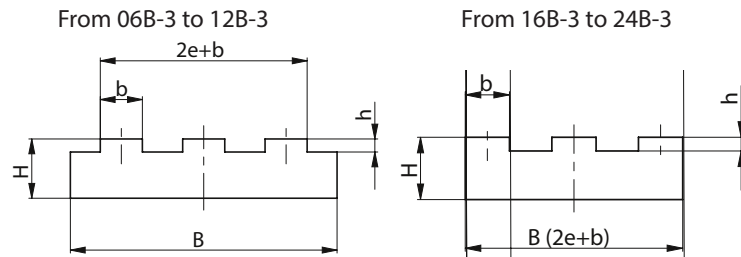


Type T-Triplex



| DIN8187 chain no. | Chain dimensions in inches | B | H | b | h | 2e+b | Article no. |
|-------------------|----------------------------|-------|----|------|-----|-------|-------------|
| 06B-3 | 3/8" x 7/32" | 35.0 | 10 | 5.3 | 1.5 | 25.9 | 221 010 038 |
| 08B-3 | 1/2" x 5/16" | 45.0 | 10 | 7.1 | 2.2 | 34.9 | 221 010 039 |
| 10B-3 | 5/8" x 3/8" | 55.0 | 10 | 8.9 | 2.6 | 42.1 | 221 010 040 |
| 12B-3 | 3/4" x 7/16" | 60.0 | 15 | 10.7 | 2.4 | 49.7 | 221 010 041 |
| 16B-3 | 1" x 17 mm | 79.5 | 20 | 15.7 | 3.5 | 79.5 | 221 010 042 |
| 20B-3 | 1 1/4" x 3/4" | 91.0 | 20 | 18.0 | 4.2 | 91.0 | 221 010 043 |
| 24B-3 | 1 1/2" x 1" | 120.0 | 25 | 23.4 | 5.5 | 120.0 | 221 010 044 |

Dimensions in mm. Separate ASA/JIS product catalogue available.

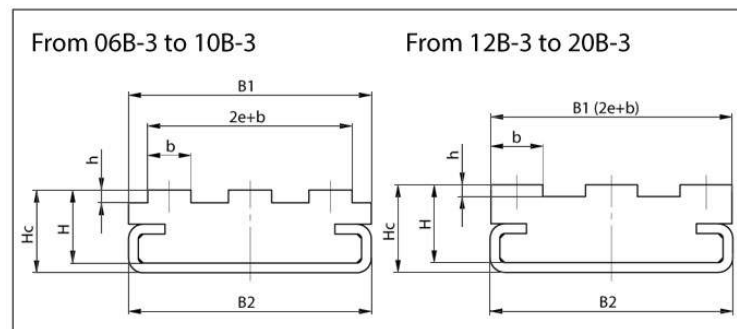
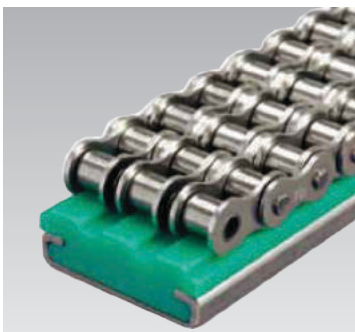


Type CT-Triplex



| | Chain dimensions in inches | C profile type | B1 | B2 | H | Hc | b | h | 2e+b | Article no. |
|-------|----------------------------|----------------|------|----|----|----|------|-----|------|-------------|
| 06B-3 | 3/8" x 7/32" | C5 | 30.0 | 28 | 15 | 20 | 5.3 | 1.5 | 25.9 | 221 210 023 |
| 08B-3 | 1/2" x 5/16" | | 34.9 | 28 | 15 | 20 | 7.1 | 2.2 | 34.9 | 221 210 024 |
| 10B-3 | 5/8" x 3/8" | C4 | 50.0 | 50 | 15 | 17 | 8.9 | 2.6 | 42.1 | 221 210 025 |
| 12B-3 | 3/4" x 7/16" | | 49.7 | 50 | 18 | 20 | 10.7 | 2.4 | 49.7 | 221 210 026 |
| 16B-3 | 1" x 17 mm | C6 | 79.5 | 80 | 20 | 22 | 15.7 | 3.5 | 79.5 | 221 210 027 |
| 20B-3 | 1 1/4" x 3/4" | | 91.0 | 80 | 20 | 22 | 18.0 | 4.2 | 91.0 | 221 210 028 |
| | | | | | | | | | | 351 020 006 |

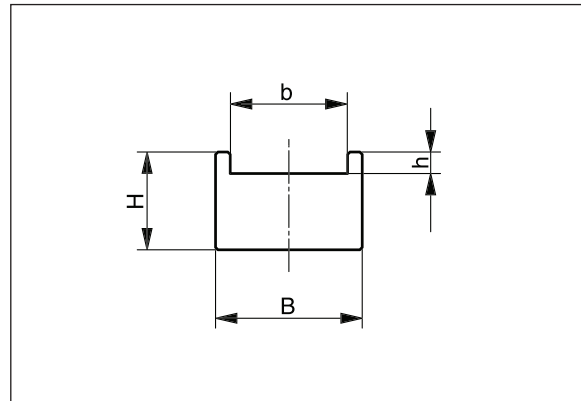
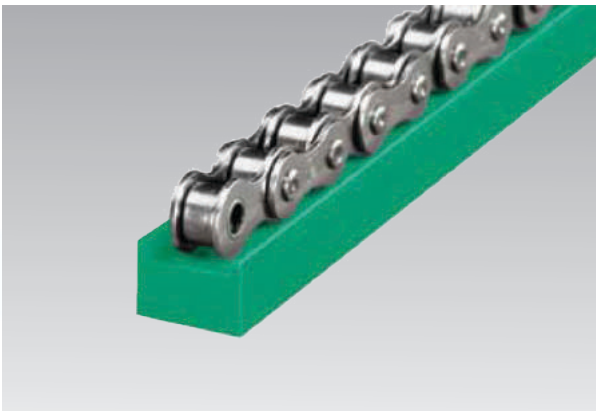
Dimensions in mm. Separate ASA/JIS product catalogue available.



Type TU



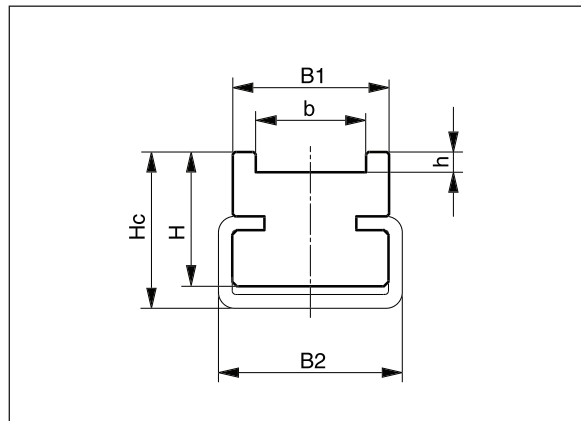
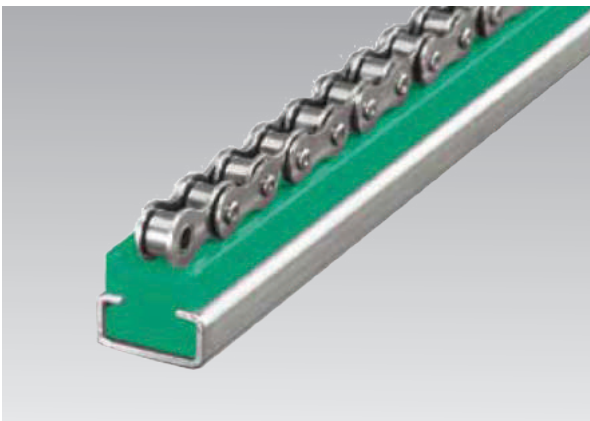
| DIN 8187 chain no. | Chain dimensions in inches | B | H | b | h | Article no. |
|--------------------|----------------------------|----|----|----|-----|-------------|
| - | 3/8" x 5/32" | 15 | 10 | 12 | 2.2 | 221 110 010 |
| 083-1 | 1/2" x 3/16" | 15 | 10 | 12 | 2.2 | 221 110 011 |



Type CTU



| DIN 8187 chain no. | Chain dimensions in inches | C profile type | B1 | B2 | H | Hc | b | h | Article no. |
|--------------------|----------------------------|----------------|----|----|----|----|----|-----|-------------|
| - | 3/8" x 5/32" | | 17 | | 14 | 17 | 12 | 2.2 | 221 310 010 |
| | | C3 | | 20 | | | | | 351 020 003 |
| 083-1 | 1/2" x 3/16" | | 17 | | 14 | 17 | 12 | 2.2 | 221 310 010 |
| | | C3 | | 20 | | | | | 351 020 003 |

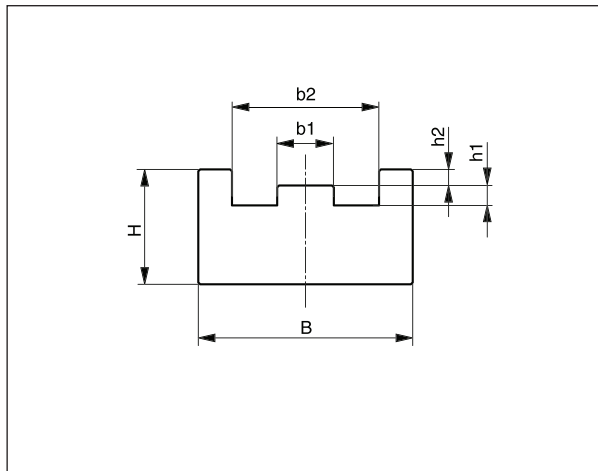
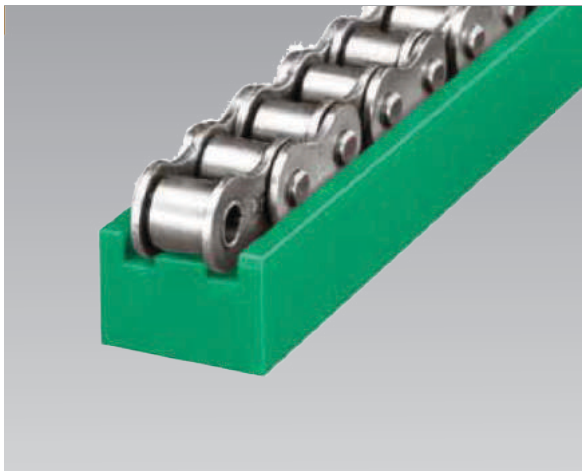


Type TS




| DIN8187 chain no. | Chain dimensions in inches | B | H | b1 | b2 | h1 | h2 | Article no. |
|-------------------|----------------------------|----|----|------|------|-----|-----|-------------|
| 06B-1 | 3/8" x 7/32" | 20 | 10 | 3.8 | 13.0 | 1.5 | 1.1 | 221 110 001 |
| 083-1 | 1/2" x 3/16" | 20 | 10 | 3.0 | 12.4 | 1.6 | 1.4 | 221 110 002 |
| 085-1 | 1/2" x 1/4" | 22 | 10 | 4.5 | 15.1 | 2.2 | 1.6 | 221 110 003 |
| 08B-1 | 1/2" x 5/16" | 25 | 15 | 5.7 | 16.3 | 2.2 | 1.6 | 221 110 004 |
| - | 5/8" x 1/4" | 25 | 15 | 4.1 | 16.1 | 2.6 | 2.1 | 221 110 005 |
| 10B-1 | 5/8" x 3/8" | 28 | 15 | 7.4 | 19.2 | 2.6 | 2.1 | 221 110 006 |
| 12B-1 | 3/4" x 7/16" | 30 | 20 | 9.2 | 21.8 | 2.4 | 2.8 | 221 110 007 |
| 16B-1 | 1" x 17 mm | 42 | 25 | 15.0 | 35.0 | 3.5 | 3.3 | 221 110 008 |
| 20B-1 | 1 1/4" x 3/4" | 50 | 25 | 16.8 | 40.0 | 4.2 | 4.0 | 221 110 009 |

Dimensions in mm. Separate ASA/JIS product catalogue available.

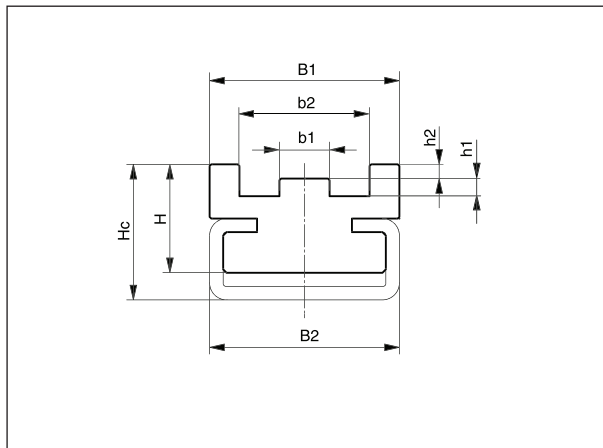
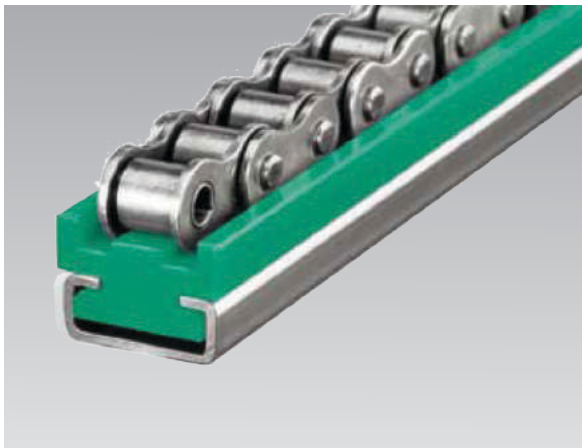


Type CTS



| DIN 8187 chain no. | Chain dimensions in inches | C profile type  | B1 | B2 | H | Hc | b1 | b2 | h1 | h2 | Article no. |
|--------------------|----------------------------|--|----|----|----|----|------|------|-----|-----|-------------|
| 06B-1 | 3/8" x 7/32" | | 20 | | 14 | 17 | 3.8 | 13.0 | 1.5 | 1.1 | 221 310 001 |
| | | C3 | | 20 | | | | | | | 351 020 003 |
| 083-1 | 1/2" x 3/16" | | 20 | | 14 | 17 | 3.0 | 12.4 | 1.6 | 1.4 | 221 310 002 |
| | | C3 | | 20 | | | | | | | 351 020 003 |
| 085-1 | 1/2" x 1/4" | | 22 | | 14 | 17 | 4.5 | 15.1 | 2.2 | 1.6 | 221 310 003 |
| | | C3 | | 20 | | | | | | | 351 020 003 |
| 08B-1 | 1/2" x 5/16" | | 25 | | 16 | 20 | 5.7 | 16.3 | 2.2 | 1.6 | 221 310 004 |
| | | C3 | | 20 | | | | | | | 351 020 003 |
| - | 5/8" x 1/4" | | 25 | | 16 | 20 | 4.1 | 16.1 | 2.6 | 2.1 | 221 310 005 |
| | | C3 | | 20 | | | | | | | 351 020 003 |
| 10B-1 | 5/8" x 3/8" | | 28 | | 16 | 20 | 7.4 | 19.2 | 2.6 | 2.1 | 221 310 006 |
| | | C5 | | 28 | | | | | | | 351 020 005 |
| 12B-1 | 3/4" x 7/16" | | 30 | | 18 | 22 | 9.2 | 21.8 | 2.4 | 2.8 | 221 310 007 |
| | | C5 | | 28 | | | | | | | 351 020 005 |
| 16B-1 | 1" x 17 mm | | 42 | | 25 | 30 | 15.0 | 35.0 | 3.5 | 3.3 | 221 310 008 |
| | | C9 | | 38 | | | | | | | 351 020 009 |
| 20B-1 | 1 1/4" x 3/4" | | 50 | | 30 | 35 | 16.8 | 40.0 | 4.2 | 4.0 | 221 310 009 |
| | | C9 | | 38 | | | | | | | 351 020 009 |

Dimensions in mm. Separate ASA/JIS product catalogue available.

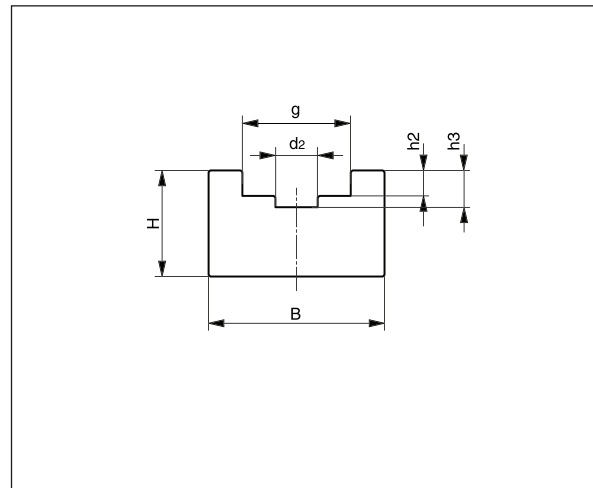
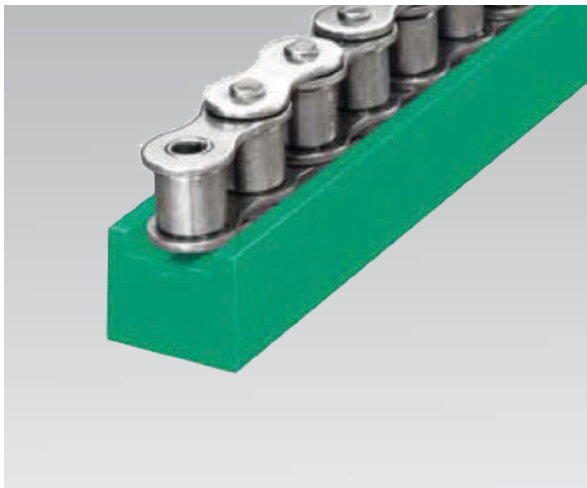


Type U



| DIN8187 chain no. | Chain dimensions in inches | B | H | d2 | g | h2 | h3 | Article no. |
|-------------------|----------------------------|----|----|----|------|------|------|-------------|
| - | 3/8" x 5/32" | 20 | 15 | 4 | 9.4 | 2.8 | 4.2 | 221 110 012 |
| 06B-1 | 3/8" x 7/32" | 20 | 15 | 4 | 9.4 | 2.8 | 4.2 | 221 110 013 |
| 083-1 | 1/2" x 3/16" | 20 | 15 | 5 | 10.8 | 2.3 | 3.8 | 221 110 014 |
| g=12,8mm | 1/2" x 1/4" | 25 | 15 | 5 | 12.8 | 3.5 | 5.0 | 221 110 015 |
| 08B-1 | 1/2" x 5/16" | 25 | 15 | 5 | 12.8 | 3.5 | 5.0 | 221 110 017 |
| - | 5/8" x 1/4" | 25 | 15 | 6 | 15.4 | 3.6 | 5.2 | 221 110 016 |
| 085-1 | 1/2 x 1/4" | 20 | 15 | 5 | 11.8 | 3.2 | 4.7 | 221 110 018 |
| 10B-1 | 5/8" x 3/8" | 25 | 15 | 6 | 15.4 | 3.6 | 5.0 | 221 110 019 |
| 12B-1 | 3/4" x 7/16" | 25 | 20 | 7 | 17.0 | 3.9 | 5.7 | 221 110 020 |
| 16B-1 | 1" x 17 mm | 33 | 25 | 10 | 24.0 | 8.4 | 10.6 | 221 110 021 |
| 20B-1 | 1 1/4" x 3/4" | 55 | 25 | 11 | 28.0 | 10.0 | 12.2 | 221 110 022 |
| 24B-1 | 1 1/2" x 1" | 60 | 30 | 16 | 36.6 | 13.0 | 16.0 | 221 110 023 |
| 28B-1 | 1 3/4" x 31 mm | 65 | 30 | 17 | 40.0 | 16.0 | 18.0 | 221 110 024 |
| 32B-1 | 2" x 31 mm | 70 | 30 | 20 | 44.6 | 16.0 | 20.0 | 221 110 025 |

Dimensions in mm. Separate ASA/JIS product catalogue available.

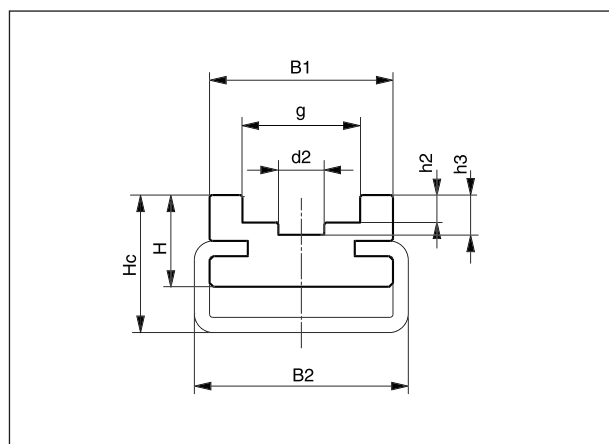


Type CU



| DIN8187 chain no. | Chain dimensions in inches | C profile type | B1 | B2 | H | Hc | d2 | g | h2 | h3 | Article no. |
|-------------------|----------------------------|----------------|----|----|----|----|----|------|------|------|-------------|
| - | 3/8" x 5/32" | | 20 | | 14 | 17 | 4 | 9.4 | 2.8 | 4.2 | 221 310 011 |
| | | C3 | | 20 | | | | | | | 351 020 003 |
| 06B-1 | 3/8" x 7/32" | | 20 | | 14 | 17 | 4 | 9.4 | 2.8 | 4.2 | 221 310 013 |
| | | C3 | | 20 | | | | | | | 351 020 003 |
| 083-1 | 1/2" x 3/16" | | 20 | | 14 | 17 | 5 | 10.8 | 2.3 | 3.8 | 221 310 015 |
| | | C3 | | 20 | | | | | | | 351 020 003 |
| 085-1 | 1/2" x 1/4" | | 28 | | 14 | 18 | 5 | 11.8 | 3.2 | 4.7 | 221 310 017 |
| | | C5 | | 28 | | | | | | | 351 020 005 |
| g=12,8mm | 1/2" x 1/4" | | 28 | | 14 | 18 | 5 | 12.8 | 3.5 | 5.0 | 221 310 019 |
| | | C5 | | 28 | | | | | | | 351 020 005 |
| 08B-1 | 1/2" x 5/16" | | 20 | | 10 | 11 | 5 | 12.8 | 3.5 | 5.0 | 221 310 012 |
| | | C1 | | 24 | | | | | | | 351 020 001 |
| - | 5/8" x 1/4" | | 24 | | 12 | 18 | 6 | 15.4 | 3.6 | 5.2 | 221 310 021 |
| | | C5 | | 28 | | | | | | | 351 020 005 |
| 10B-1 | 5/8" x 3/8" | | 24 | | 12 | 18 | 6 | 15.4 | 3.6 | 5.0 | 221 310 014 |
| | | C5 | | 28 | | | | | | | 351 020 005 |
| 12B-1 | 3/4" x 7/16" | | 24 | | 12 | 18 | 7 | 17.0 | 3.9 | 5.7 | 221 310 016 |
| | | C5 | | 28 | | | | | | | 351 020 005 |
| 16B-1 | 1" x 17 mm | | 33 | | 20 | 30 | 10 | 24.0 | 8.4 | 10.6 | 221 310 018 |
| | | C9 | | 38 | | | | | | | 351 020 009 |
| 20B-1 | 1 1/4" x 3/4" | | 60 | | 25 | 35 | 11 | 28.0 | 10.0 | 12.2 | 221 310 020 |
| | | C12 | | 60 | | | | | | | 351 020 012 |
| 24B-1 | 1 1/2" x 1" | | 60 | | 30 | 40 | 16 | 36.6 | 13.0 | 16.0 | 221 310 022 |
| | | C12 | | 60 | | | | | | | 351 020 012 |
| 28B-1 | 1 3/4" x 31 mm | | 65 | | 38 | 45 | 17 | 40.0 | 16.0 | 18.0 | 221 310 023 |
| | | C12 | | 60 | | | | | | | 351 020 012 |
| 32B-1 | 2" x 31 mm | | 70 | | 38 | 45 | 20 | 44.6 | 16.0 | 20.0 | 221 310 024 |
| | | C12 | | 60 | | | | | | | 351 020 012 |

Dimensions in mm. Separate ASA/JIS product catalogue available.

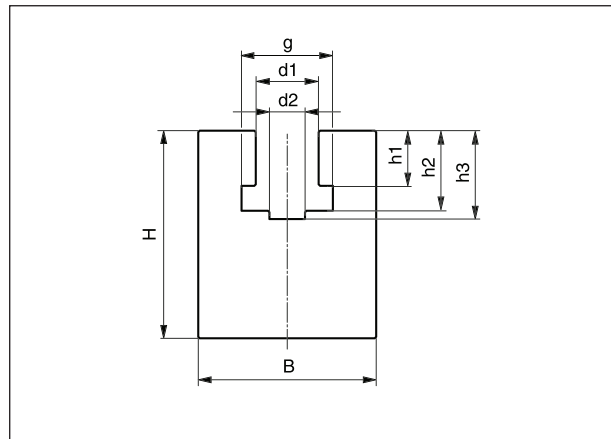
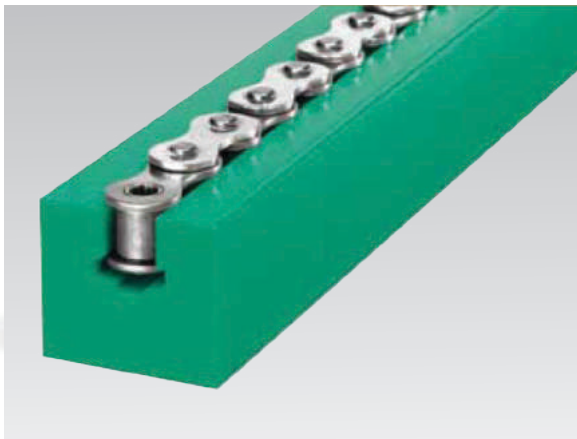


Type K



| DIN8187 chain no. | Chain dimensions in inches | B | H | d1 | d2 | g | h1 | h2 | h3 | Article no. |
|-------------------|----------------------------|----|----|------|----|------|------|------|------|-------------|
| - | 3/8" x 5/32" | 20 | 25 | 6.6 | 4 | 9.4 | 3.6 | 7.0 | 8.0 | 221 110 026 |
| 06B-1 | 3/8" x 7/32" | 20 | 25 | 6.6 | 4 | 9.4 | 5.5 | 8.9 | 10.0 | 221 110 027 |
| 083-1 | 1/2" x 3/16" | 20 | 25 | 8.0 | 5 | 10.8 | 4.5 | 8.0 | 9.5 | 221 110 028 |
| 085-1 | 1/2" x 1/4" | 24 | 30 | 8.0 | 5 | 11.8 | 6.2 | 9.8 | 11.3 | 221 110 029 |
| g=12,8mm | 1/2" x 1/4" | 24 | 30 | 8.8 | 5 | 12.8 | 6.2 | 10.2 | 11.7 | 221 110 030 |
| 08B-1 | 1/2" x 5/16" | 24 | 30 | 8.9 | 5 | 12.8 | 7.4 | 11.5 | 13.0 | 221 110 031 |
| - | 5/8" x 1/4" | 30 | 30 | 10.6 | 6 | 15.4 | 6.2 | 10.2 | 11.6 | 221 110 032 |
| 10B-1 | 5/8" x 3/8" | 30 | 35 | 10.6 | 6 | 15.4 | 9.3 | 13.5 | 14.9 | 221 110 033 |
| 12B-1 | 3/4" x 7/16" | 40 | 35 | 12.4 | 7 | 17.0 | 11.3 | 15.9 | 17.5 | 221 110 034 |
| 16B-1 | 1" x 17 mm | 40 | 45 | 16.4 | 10 | 24.0 | 16.0 | 25.7 | 27.7 | 221 110 035 |
| 20B-1 | 1 1/4" x 3/4" | 50 | 50 | 20.0 | 11 | 28.0 | 18.0 | 29.5 | 31.7 | 221 110 036 |
| 24B-1 | 1 1/2" x 1" | 60 | 60 | 27.0 | 16 | 36.6 | 24.0 | 38.2 | 41.2 | 221 110 037 |
| 28B-1 | 1 3/4" x 31 mm | 60 | 70 | 30.0 | 17 | 41.0 | 30.0 | 47.0 | 49.0 | 221 110 038 |
| 32B-1 | 2" x 31 mm | 70 | 75 | 31.0 | 19 | 44.6 | 30.0 | 47.3 | 50.0 | 221 110 039 |

Dimensions in mm. Separate ASA/JIS product catalogue available.

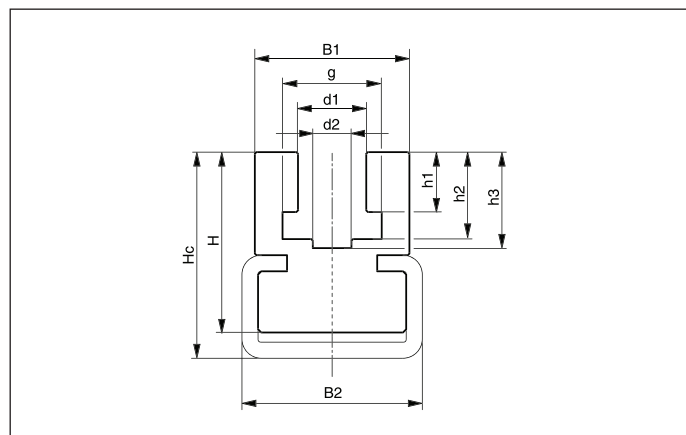
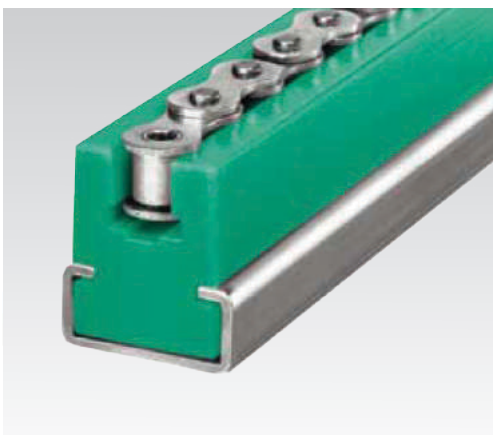


Type CK



| DIN8187 chain no. | Chain dimensions in inches | C profile type | B1 | B2 | H | Hc | d1 | d2 | g | h1 | h2 | h3 | Article no. |
|-------------------|----------------------------|----------------|----|----|----|----|------|----|------|------|------|------|----------------------------|
| - | 3/8" x 5/32" | C3 | 20 | 20 | 18 | 21 | 6.6 | 4 | 9.4 | 3.6 | 7.0 | 8.0 | 221 310 025 351 020 003 |
| 06B-1 | 3/8" x 7/32" | C3 | 20 | 20 | 18 | 21 | 6.6 | 4 | 9.4 | 5.5 | 8.9 | 10.0 | 221 310 026 351 020 003 |
| 083-1 | 1/2" x 3/16" | C3 | 20 | 20 | 18 | 21 | 8.0 | 5 | 10.8 | 4.5 | 8.0 | 9.5 | 221 310 027 351 020 003 |
| 085-1 | 1/2" x 1/4" | C7 | 24 | 28 | 28 | 32 | 8.0 | 5 | 11.8 | 6.2 | 9.8 | 11.3 | 221 310 028 351 020 007 |
| g=12,8mm | 1/2" x 1/4" | C7 | 24 | 28 | 28 | 32 | 8.8 | 5 | 12.8 | 6.2 | 10.2 | 11.7 | 221 310 029 351 020 007 |
| 08B-1 | 1/2" x 5/16" | C7 | 24 | 28 | 28 | 32 | 8.9 | 5 | 12.8 | 7.4 | 11.5 | 13.0 | 221 310 030 351 020 007 |
| - | 5/8" x 1/4" | C7 | 24 | 28 | 28 | 32 | 10.6 | 6 | 15.4 | 6.2 | 10.2 | 11.6 | 221 310 031 351 020 007 |
| 10B-1 | 5/8" x 3/8" | C7 | 24 | 28 | 28 | 32 | 10.6 | 6 | 15.4 | 9.3 | 13.5 | 14.9 | 221 310 032 351 020 007 |
| 12B-1 | 3/4" x 7/16" | C9 | 32 | 38 | 35 | 43 | 12.4 | 7 | 17.0 | 11.3 | 15.9 | 17.5 | 221 310 033 351 020 009 |
| 16B-1 | 1" x 17 mm | C9 | 40 | 38 | 45 | 50 | 16.4 | 10 | 24.0 | 16.0 | 25.7 | 27.7 | 221 310 034 351 020 009 |
| 20B-1 | 1 1/4" x 3/4" | C12 | 60 | 60 | 50 | 55 | 20.0 | 11 | 28.0 | 18.0 | 29.5 | 31.7 | 221 310 035 351 020 012 |
| 24B-1 | 1 1/2" x 1" | C12 | 60 | 60 | 60 | 65 | 27.0 | 16 | 36.6 | 24.0 | 38.2 | 41.2 | 221 310 036 351 020 012 |
| 28B-1 | 1 3/4" x 31 mm | C12 | 70 | 60 | 75 | 80 | 30.0 | 17 | 40.0 | 30.0 | 47.0 | 49.0 | 221 310 037 351 020 012 |
| 32B-1 | 2" x 31 mm | C12 | 70 | 60 | 75 | 80 | 31.0 | 19 | 44.6 | 30.0 | 47.3 | 50.0 | 221 310 038 351 020 012 |

Dimensions in mm. Separate ASA/JIS product catalogue available.

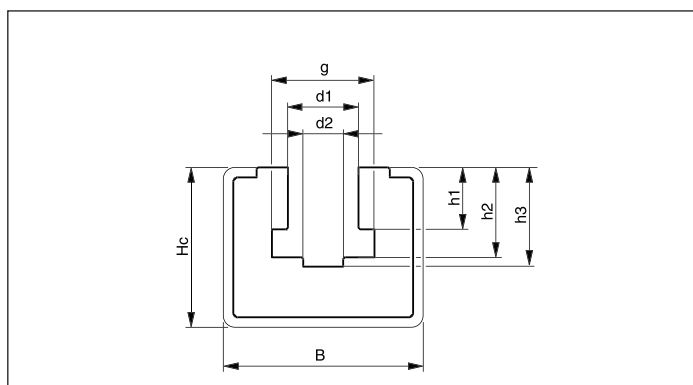


Type CKG



| DIN 8187 chain no. | Chain dimensions in inches | C profile type | B | Hc | d1 | d2 | g | h1 | h2 | h3 | Article no. |
|--------------------|----------------------------|----------------|----|----|------|----|------|------|------|------|----------------------------|
| - | 3/8" x 5/32" | C10 | 30 | 24 | 6.6 | 4 | 9.4 | 3.6 | 7.0 | 8.0 | 221 410 001 351 020 010 |
| 06B-1 | 3/8" x 7/32" | C10 | 30 | 24 | 6.6 | 4 | 9.4 | 5.5 | 8.9 | 10.0 | 221 410 002 351 020 010 |
| 083-1 | 1/2" x 3/16" | C10 | 30 | 24 | 8.0 | 5 | 10.8 | 4.5 | 8.0 | 9.5 | 221 410 003 351 020 010 |
| 085-1 | 1/2" x 1/4" | C10 | 30 | 24 | 8.0 | 5 | 11.8 | 6.2 | 9.8 | 11.3 | 221 410 020 351 020 010 |
| g=12,8mm | 1/2" x 1/4" | C10 | 30 | 24 | 8.8 | 5 | 12.8 | 6.2 | 10.2 | 11.7 | 221 410 021 351 020 010 |
| 08B-1 | 1/2" x 5/16" | C10 | 30 | 24 | 8.9 | 5 | 12.8 | 7.4 | 11.5 | 13.0 | 221 410 004 351 020 010 |
| - | 5/8" x 1/4" | C10 | 30 | 24 | 10.6 | 6 | 15.4 | 6.2 | 10.2 | 11.6 | 221 410 022 351 020 010 |
| 10B-1 | 5/8" x 3/8" | C10 | 30 | 24 | 10.6 | 6 | 15.4 | 9.3 | 13.5 | 14.9 | 221 410 005 351 020 010 |
| 12B-1 | 3/4" x 7/16" | C10 | 30 | 24 | 12.4 | 7 | 17.0 | 11.3 | 15.9 | 17.5 | 221 410 006 351 020 010 |
| 16B-1 | 1" x 17 mm | C11 | 45 | 40 | 16.4 | 10 | 24.0 | 16.0 | 25.7 | 27.7 | 221 410 007 351 020 011 |
| 20B-1 | 1 1/4" x 3/4" | C11 | 45 | 40 | 20.0 | 11 | 28.0 | 18.0 | 29.5 | 31.7 | 221 410 008 351 020 011 |
| 24B-1 | 1 1/2" x 1" | C13 | 65 | 55 | 27.0 | 16 | 36.6 | 24.0 | 38.2 | 41.2 | 221 410 009 351 020 013 |
| 28B-1 | 1 3/4" x 31 mm | C13 | 65 | 60 | 30.0 | 17 | 41.0 | 30.0 | 47.0 | 49.0 | 221 410 010 351 020 013 |
| 32B-1 | 2" x 31 mm | C13 | 65 | 60 | 31.0 | 19 | 44.6 | 30.0 | 47.3 | 50.0 | 221 410 011 351 020 013 |

Dimensions in mm. Separate ASA/JIS product catalogue available.

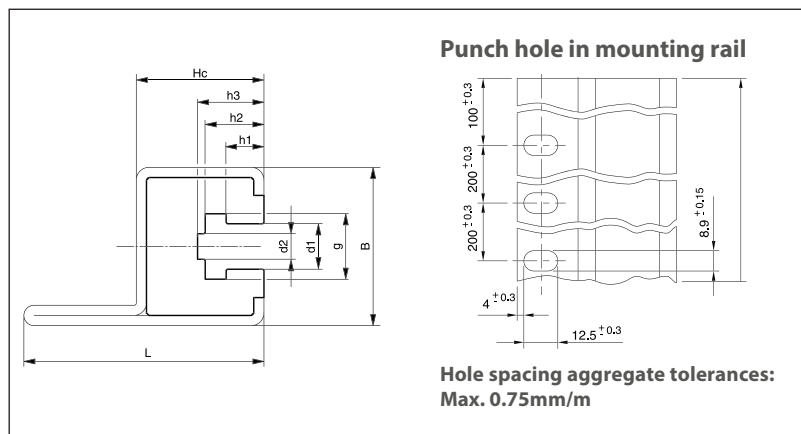


Type CKG 14H



| DIN 8187 chain no. | Chain dimensions in inches | C profile type | B | Hc | L | d1 | d2 | g | h1 | h2 | h3 | Article no. |
|--------------------|----------------------------|----------------|----|----|----|------|----|------|------|------|------|-------------|
| - | 3/8" x 5/32" | C14H | 31 | 25 | 47 | 6.6 | 4 | 9.4 | 3.6 | 7.0 | 8.0 | 221 410 001 |
| | | | | | | | | | | | | 351 020 014 |
| 06B-1 | 3/8" x 7/32" | C14H | 31 | 25 | 47 | 6.6 | 4 | 9.4 | 5.5 | 8.9 | 10.0 | 221 410 002 |
| | | | | | | | | | | | | 351 020 014 |
| 083-1 | 1/2" x 3/16" | C14H | 31 | 25 | 47 | 8.0 | 5 | 10.8 | 4.5 | 8.0 | 9.5 | 221 410 003 |
| | | | | | | | | | | | | 351 020 014 |
| 085-1 | 1/2" x 1/4" | C14H | 31 | 25 | 47 | 8.0 | 5 | 11.8 | 6.2 | 9.8 | 11.3 | 221 410 020 |
| | | | | | | | | | | | | 351 020 014 |
| g=12,8mm | 1/2" x 1/4" | C14H | 31 | 25 | 47 | 8.8 | 5 | 12.8 | 6.2 | 10.2 | 11.7 | 221 410 021 |
| | | | | | | | | | | | | 351 020 014 |
| 08B-1 | 1/2" x 5/16" | C14H | 31 | 25 | 47 | 8.9 | 5 | 12.8 | 7.4 | 11.5 | 13.0 | 221 410 004 |
| | | | | | | | | | | | | 351 020 014 |
| - | 5/8" x 1/4" | C14H | 31 | 25 | 47 | 10.6 | 6 | 15.4 | 6.2 | 10.2 | 11.6 | 221 410 022 |
| | | | | | | | | | | | | 351 020 014 |
| 10B-1 | 5/8" x 3/8" | C14H | 31 | 25 | 47 | 10.6 | 6 | 15.4 | 9.3 | 13.5 | 14.9 | 221 410 005 |
| | | | | | | | | | | | | 351 020 014 |
| 12B-1 | 3/4" x 7/16" | C14H | 31 | 25 | 47 | 12.4 | 7 | 17.0 | 11.3 | 15.9 | 17.5 | 221 410 006 |
| | | | | | | | | | | | | 351 020 014 |

Dimensions in mm. Separate ASA/JIS product catalogue available.

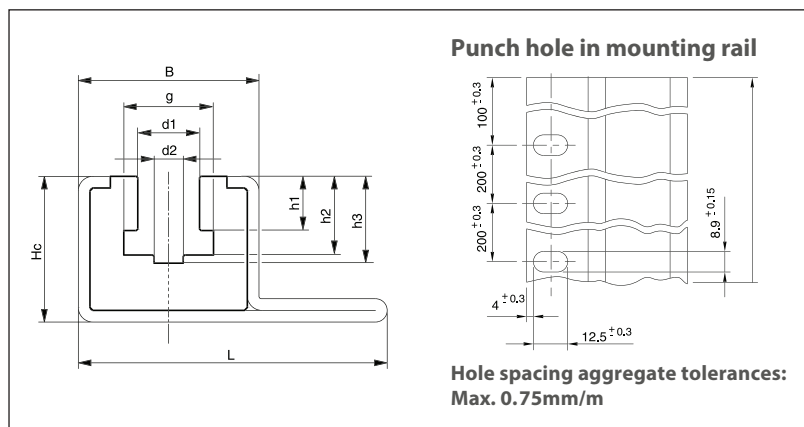


Type CKG 15V



| DIN 8187 chain no. | Chain dimensions in inches | C profile type | B | Hc | L | d1 | d2 | g | h1 | h2 | h3 | Article no. |
|--------------------|----------------------------|----------------|----|----|----|------|----|------|------|------|------|----------------------------|
| - | 3/8" x 5/32" | C15V | 31 | 25 | 53 | 6.6 | 4 | 9.4 | 3.6 | 7.0 | 8.0 | 221 410 001 351 020 015 |
| 06B-1 | 3/8" x 7/32" | C15V | 31 | 25 | 53 | 6.6 | 4 | 9.4 | 5.5 | 8.9 | 10.0 | 221 410 002 351 020 015 |
| 083-1 | 1/2" x 3/16" | C15V | 31 | 25 | 53 | 8.0 | 5 | 10.8 | 4.5 | 8.0 | 9.5 | 221 410 003 351 020 015 |
| 085-1 | 1/2" x 1/4" | C15V | 31 | 25 | 53 | 8.0 | 5 | 11.8 | 6.2 | 9.8 | 11.3 | 221 410 020 351 020 015 |
| g=12,8mm | 1/2" x 1/4" | C15V | 31 | 25 | 53 | 8.8 | 5 | 12.8 | 6.2 | 10.2 | 11.7 | 221 410 021 351 020 015 |
| 08B-1 | 1/2" x 5/16" | C15V | 31 | 25 | 53 | 8.9 | 5 | 12.8 | 7.4 | 11.5 | 13.0 | 221 410 004 351 020 015 |
| - | 5/8" x 1/4" | C15V | 31 | 25 | 53 | 10.6 | 6 | 15.4 | 6.2 | 10.2 | 11.6 | 221 410 022 351 020 015 |
| 10B-1 | 5/8" x 3/8" | C15V | 31 | 25 | 53 | 10.6 | 6 | 15.4 | 9.3 | 13.5 | 14.9 | 221 410 005 351 020 015 |
| 12B-1 | 3/4" x 7/16" | C15V | 31 | 25 | 53 | 12.4 | 7 | 17.0 | 11.3 | 15.9 | 17.5 | 221 410 006 351 020 015 |


Dimensions in mm. Separate ASA/JIS product catalogue available.



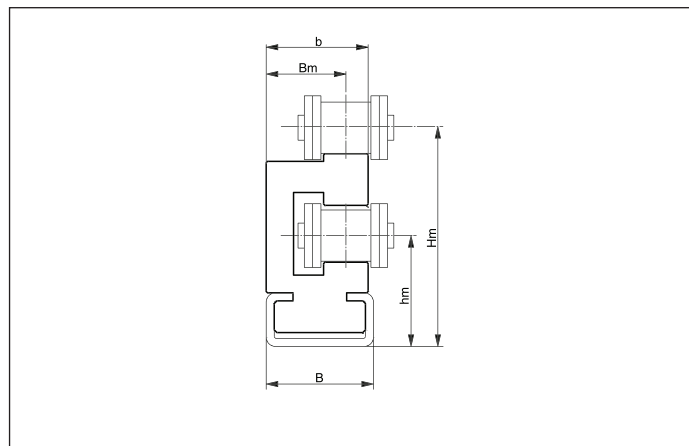
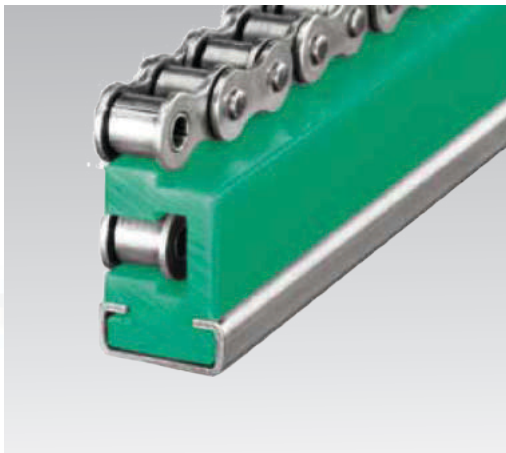
Double-Decker Guides for Roller Chains as per DIN8187

Type ETA



| DIN8187 chain no. | Chain dimensions in inches | C profile type  | B | Hm | b | Bm | hm | Article no. |
|-------------------|----------------------------|---|----|------|----|------|----|-------------|
| 06B-1 | 3/8" x 7/32" | C3 | 20 | 30.2 | 17 | 14.5 | 17 | 221 310 039 |
| | | | | | | | | 351 020 003 |
| 08B-1 | 1/2" x 5/16" | C3 | 20 | 33.8 | 20 | 16.5 | 18 | 221 310 040 |
| | | | | | | | | 351 020 003 |
| 10B-1 | 5/8" x 3/8" | C3 | 20 | 41.1 | 20 | 15.5 | 21 | 221 310 041 |
| | | | | | | | | 351 020 003 |
| 12B-1 | 3/4" x 7/16" | C5 | 28 | 46.5 | 24 | 18.5 | 24 | 221 310 042 |
| | | | | | | | | 351 020 005 |
| 16B-1 | 1" x 17 mm | C9 | 38 | 62.0 | 33 | 25.0 | 34 | 221 310 043 |
| | | | | | | | | 351 020 009 |

Dimensions in mm. Separate ASA/JIS product catalogue available.



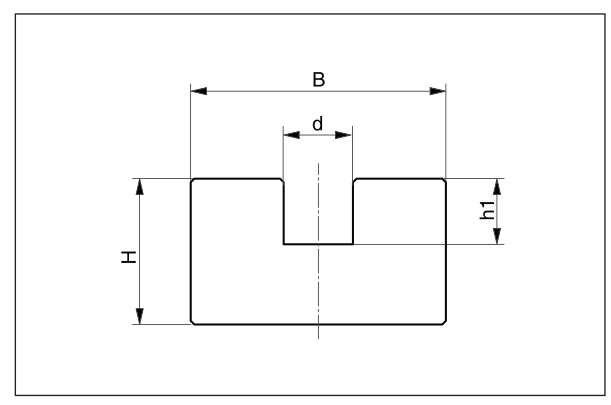
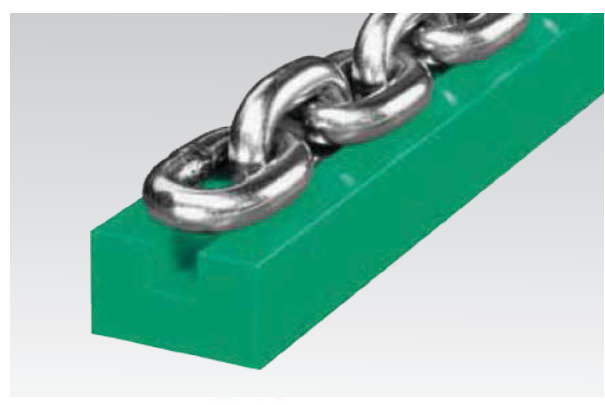
Chain Guides for Round Link Chains as per DIN 766/764

Type R

“S”
DIN 2768
2000
“S” 1000

| | | H | d | h1 | Article no. |
|----|----|----|------|----|-------------|
| 6 | 30 | 15 | 7.0 | 7 | 231 010 001 |
| 8 | 38 | 20 | 9.0 | 9 | 231 010 002 |
| 10 | 45 | 25 | 11.5 | 11 | 231 010 003 |
| 13 | 55 | 30 | 15.0 | 15 | 231 010 004 |

Dimensions in mm.

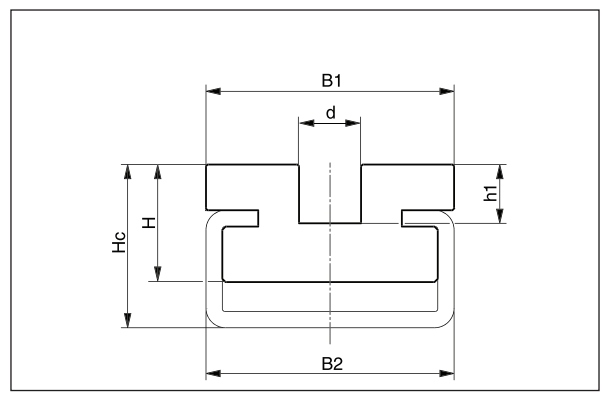


Type CRU

“S”
DIN 2768
2000
galvanized
“S” 1000
6000
V2A

| Nominal thickness d, DIN 766/764 | C profile type | B1 | B2 | H | Hc | d | h1 | Article no. |
|-------------------------------------|--------------------|----|----|----|----|------|----|-------------|
| 6 | | 30 | | 14 | 18 | 7.0 | 7 | 231 110 005 |
| | C5 | | 28 | | | | | 351 020 005 |
| 8 | | 38 | | 18 | 25 | 9.5 | 9 | 231 110 006 |
| | C9 | | 38 | | | | | 351 020 009 |
| 10 | | 45 | | 18 | 28 | 11.5 | 11 | 231 110 007 |
| | C9 | | 38 | | | | | 351 020 009 |
| 13 | | 60 | | 25 | 33 | 15.0 | 15 | 231 110 008 |
| | C12 | | 60 | | | | | 351 020 012 |

Dimensions in mm. For round link chains that do not comply with DIN 766 or DIN 764, please specify dimensions.

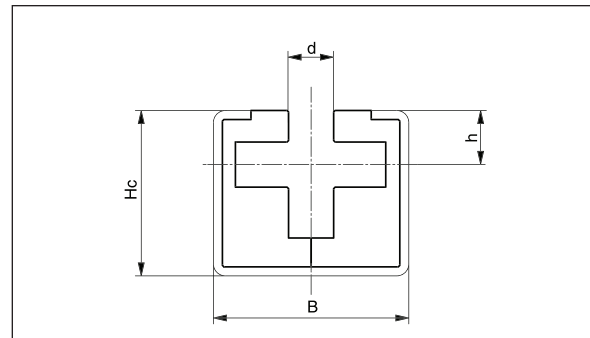
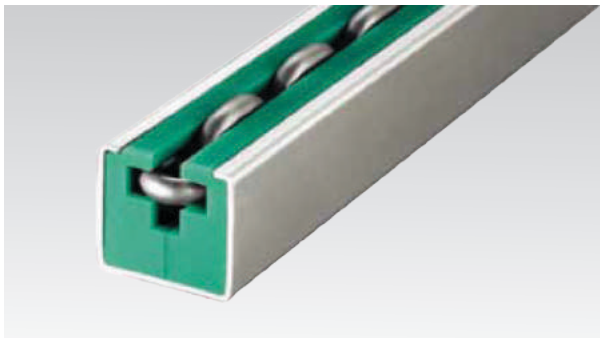


Type CRG



| Nominal thickness d, DIN 766/764 | C profile type □ | B | Hc | d | h | Article no. |
|-------------------------------------|---------------------|----|----|------|------|-------------|
| 6 | C11 | 45 | 40 | 7.0 | 8.0 | 231 110 009 |
| | | | | | | 351 020 011 |
| 8 | C11 | 45 | 40 | 9.5 | 9.5 | 231 110 010 |
| | | | | | | 351 020 011 |
| 10 | C13 | 65 | 55 | 11.5 | 14.0 | 231 110 011 |
| | | | | | | 351 020 013 |
| 13 | C13 | 65 | 55 | 15.0 | 18.0 | 231 110 012 |
| | | | | | | 351 020 013 |

Dimensions in mm.

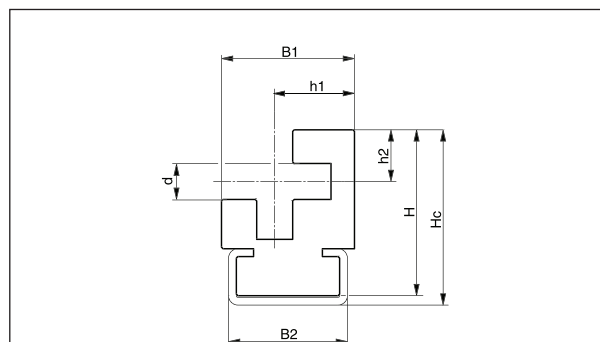


Type CRO



| Nominal thickness d, DIN 766/764 | C profile type □ | B1 | B2 | H | Hc | d | h1 | h2 | Article no. |
|-------------------------------------|---------------------|------|----|----|----|------|------|------|-------------|
| 6 | C3 | 27.0 | 20 | 32 | 34 | 7.0 | 17.5 | 10.5 | 231 110 001 |
| | | | | | | | | | 351 020 003 |
| 8 | C5 | 32.0 | 28 | 39 | 42 | 9.5 | 20.5 | 12.5 | 231 110 002 |
| | | | | | | | | | 351 020 005 |
| 10 | C9 | 42.5 | 38 | 53 | 56 | 11.5 | 25.5 | 16.5 | 231 110 003 |
| | | | | | | | | | 351 020 009 |
| 13 | C12 | 60.0 | 60 | 67 | 70 | 15.0 | 33.5 | 20.5 | 231 110 004 |
| | | | | | | | | | 351 020 012 |

Dimensions in mm. For round link chains that do not comply with DIN 766 or DIN 764, please specify dimensions.

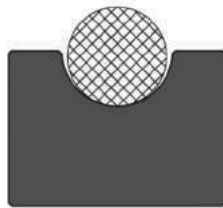


Overview of Belt Guides

Plastic instead of metal

Belt guides made of metal cause a great deal of friction on the belt. By choosing a belt guide made of Material "S"[®]Black Antistatic, you considerably reduce this wear. In addition, you save on drive energy thanks to the reduced static friction. Material "S"[®]Black Antistatic is suitable for use for round belts, V-belts, tooth belts and tracked tooth belts.

For round belts

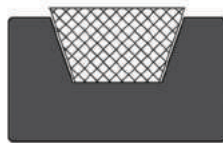


Type RR - p.121



Type RRC - p.121

For V-belts as per DIN 2215

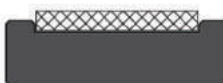


Type KR - p.122

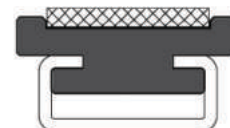


Type KRC - p.123

For tooth belts



Type FR - p.124

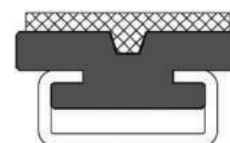


Type FRC - p.124

For tracked tooth belts



Type FK - p.125



Type FKC - p.125

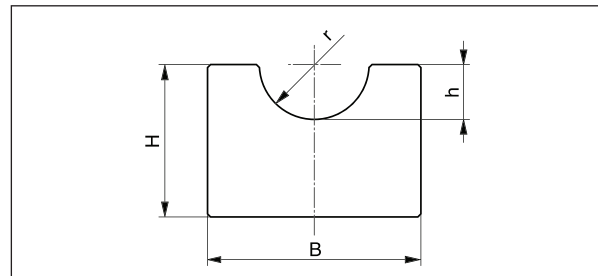
Guides for Round Belts

Type RR



| Belt type / Ø | B | H | h | r | Article no. |
|---------------|----|----|----|----|-------------|
| 5.0 | 20 | 10 | 3 | 3 | 231 010 027 |
| 6.3 | 20 | 10 | 4 | 4 | 231 010 028 |
| 8.0 | 20 | 12 | 5 | 5 | 231 010 029 |
| 9.5 | 25 | 15 | 6 | 6 | 231 010 030 |
| 12.5 | 28 | 20 | 8 | 7 | 231 010 031 |
| 15.0 | 33 | 25 | 10 | 9 | 231 010 032 |
| 18.0 | 38 | 25 | 12 | 10 | 231 010 033 |

Dimensions in mm.

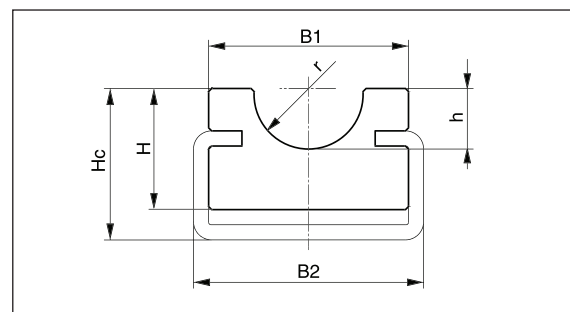


Type RRC



| | C profile type | B1 | B2 | H | Hc | h | r | Article no. |
|------|----------------|----|----|----|----|----|----|-------------|
| 5.0 | | 20 | | 10 | 15 | 3 | 3 | 231 110 035 |
| | C3 | | 20 | | | | | 351 020 003 |
| 6.3 | | 20 | | 15 | 18 | 4 | 4 | 231 110 036 |
| | C3 | | 20 | | | | | 351 020 003 |
| 8.0 | | 20 | | 15 | 18 | 5 | 5 | 231 110 037 |
| | C3 | | 20 | | | | | 351 020 003 |
| 9.5 | | 25 | | 15 | 20 | 6 | 6 | 231 110 038 |
| | C5 | | 28 | | | | | 351 020 005 |
| 12.5 | | 28 | | 15 | 20 | 8 | 7 | 231 110 039 |
| | C5 | | 28 | | | | | 351 020 005 |
| 15.0 | | 33 | | 20 | 25 | 10 | 9 | 231 110 040 |
| | C9 | | 38 | | | | | 351 020 009 |
| 18.0 | | 38 | | 20 | 25 | 12 | 10 | 231 110 041 |
| | C9 | | 38 | | | | | 351 020 009 |

Dimensions in mm.



Guides for V-Belts as per DIN 2215

Type KR

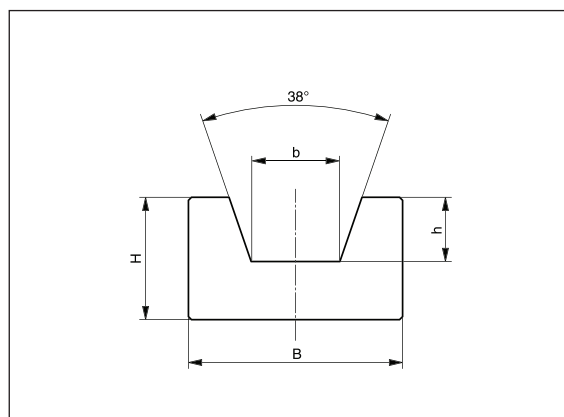
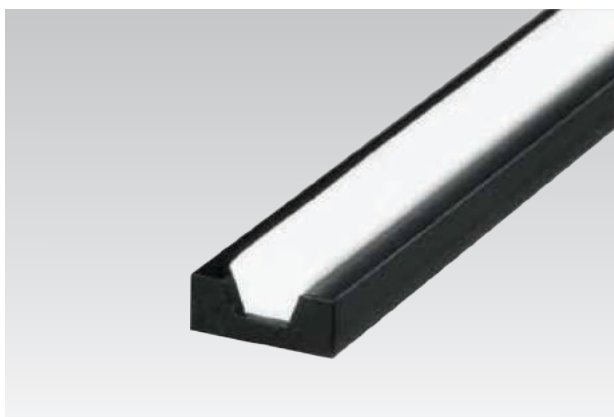


MURTFELDT



| Belt type / b x h | B | H | b | h | Article no. |
|-------------------|----|----|------|------|-------------|
| 8 x 5 | 20 | 10 | 6.0 | 3.5 | 231 010 005 |
| 10 x 6 | 20 | 10 | 7.2 | 4.5 | 231 010 006 |
| 13 x 8 | 20 | 12 | 9.2 | 6.0 | 231 010 007 |
| 17 x 11 | 30 | 15 | 11.5 | 8.0 | 231 010 008 |
| 20 x 12.5 | 30 | 20 | 13.5 | 9.0 | 231 010 009 |
| 22 x 14 | 35 | 20 | 14.5 | 10.5 | 231 010 010 |
| 25 x 16 | 40 | 25 | 16.5 | 12.0 | 231 010 011 |
| 32 x 20 | 50 | 30 | 21.0 | 16.0 | 231 010 012 |
| 40 x 25 | 60 | 35 | 26.0 | 21.0 | 231 010 013 |

Dimensions in mm.

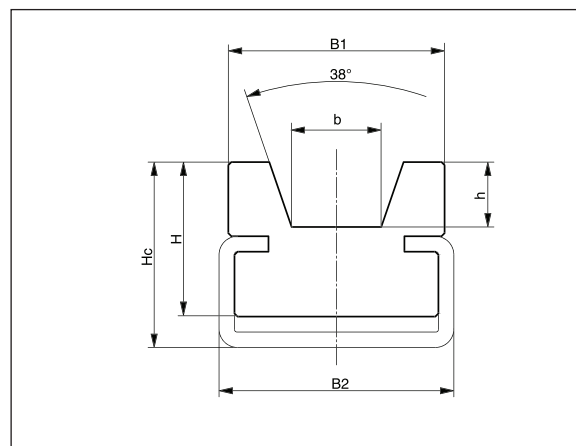


Type KRC



| Belt type/b x h | C profile type | B1 | B2 | H | Hc | b | h | Article no. |
|-----------------|----------------|----|----|----|----|------|------|-------------|
| 8 x 5 | | 20 | | 10 | 15 | 6.0 | 3.5 | 231 110 013 |
| | C3 | | 20 | | | | | 351 020 003 |
| 10 x 6 | | 20 | | 15 | 18 | 7.2 | 4.5 | 231 110 014 |
| | C3 | | 20 | | | | | 351 020 003 |
| 13 x 8 | | 25 | | 18 | 22 | 9.2 | 6.0 | 231 110 015 |
| | C5 | | 28 | | | | | 351 020 005 |
| 17 x 11 | | 30 | | 18 | 24 | 11.5 | 8.0 | 231 110 016 |
| | C5 | | 28 | | | | | 351 020 005 |
| 20 x 12.5 | | 30 | | 18 | 24 | 13.5 | 9.0 | 231 110 017 |
| | C5 | | 28 | | | | | 351 020 005 |
| 22 x 14 | | 35 | | 25 | 30 | 14.5 | 10.5 | 231 110 018 |
| | C9 | | 38 | | | | | 351 020 009 |
| 25 x 16 | | 40 | | 25 | 32 | 16.5 | 12.0 | 231 110 019 |
| | C9 | | 38 | | | | | 351 020 009 |
| 32 x 20 | | 60 | | 35 | 40 | 21.0 | 16.0 | 231 110 020 |
| | C12 | | 60 | | | | | 351 020 012 |
| 40 x 25 | | 60 | | 35 | 40 | 26.0 | 21.0 | 231 110 021 |
| | C12 | | 60 | | | | | 351 020 012 |

Dimensions in mm.



Guides for Tooth Belts

Type FR

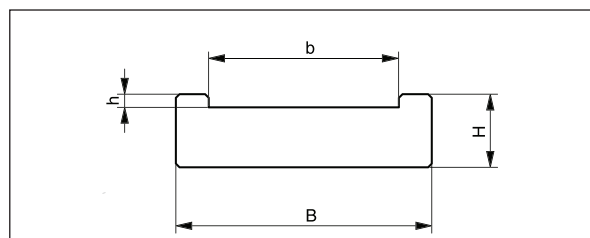


MURTFELD
T



| Belt type | B | H | b | h | Article no. |
|-----------|-----|----|-----|-----|-------------|
| 25/T5 | 35 | 10 | 26 | 1.8 | 231 010 014 |
| 32/T5 | 45 | 12 | 33 | 1.8 | 231 010 015 |
| 25/T10 | 35 | 12 | 26 | 3.8 | 231 010 016 |
| 32/T10 | 45 | 12 | 33 | 3.8 | 231 010 017 |
| 50/T10 | 65 | 15 | 51 | 3.8 | 231 010 018 |
| 75/T10 | 90 | 15 | 76 | 3.8 | 231 010 019 |
| 100/T10 | 115 | 18 | 101 | 3.8 | 231 010 020 |

Dimensions in mm.

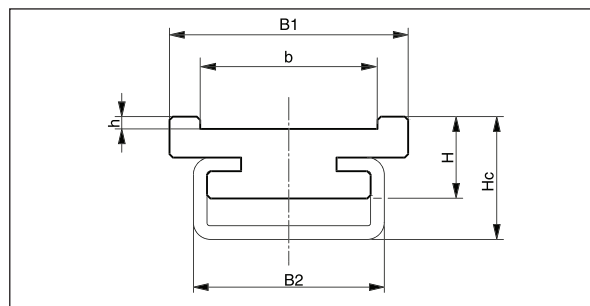


Type FRC



| Belt type | | B1 | B2 | H | Hc | b | h | Article no. |
|-----------|----|-----|----|----|----|-----|-----|-------------|
| 25/T5 | | 35 | | 12 | 18 | 26 | 1.8 | 231 110 022 |
| | C5 | | 28 | | | | | 351 020 005 |
| 32/T5 | | 45 | | 12 | 18 | 33 | 1.8 | 231 110 023 |
| | C5 | | 28 | | | | | 351 020 005 |
| 25/T10 | | 35 | | 15 | 20 | 26 | 3.8 | 231 110 024 |
| | C5 | | 28 | | | | | 351 020 005 |
| 32/T10 | | 45 | | 15 | 20 | 33 | 3.8 | 231 110 025 |
| | C5 | | 28 | | | | | 351 020 005 |
| 50/T10 | | 65 | | 18 | 20 | 51 | 3.8 | 231 110 026 |
| | C4 | | 50 | | | | | 351 020 004 |
| 75/T10 | | 90 | | 18 | 20 | 76 | 3.8 | 231 110 027 |
| | C6 | | 80 | | | | | 351 020 006 |
| 100/T10 | | 115 | | 18 | 20 | 101 | 3.8 | 231 110 028 |
| | C6 | | 80 | | | | | 351 020 006 |

Dimensions in mm.



Guides for Tracked Tooth Belts

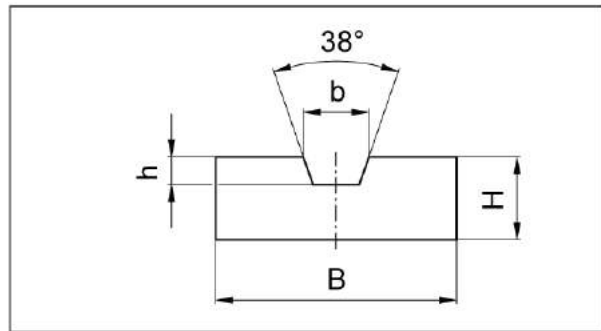
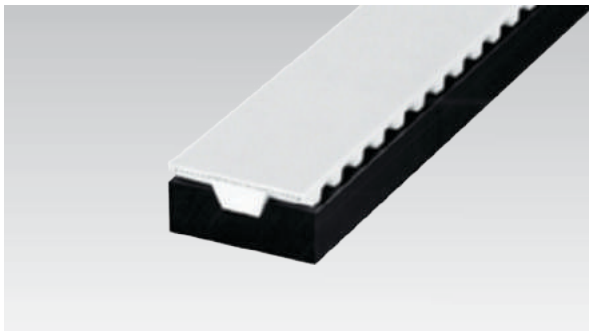
Type FK



| Belt type | B | H | b | h | Article no. |
|-----------|-----|----|------|-----|-------------|
| 25/TK5 | 28 | 10 | 6.0 | 3.5 | 231 010 021 |
| 32/TK5 | 35 | 10 | 6.0 | 3.5 | 231 010 022 |
| 32/TK10* | 35 | 12 | 9.5 | 4.0 | 231 010 023 |
| 50/TK10* | 55 | 12 | 9.5 | 4.0 | 231 010 024 |
| 75/TK10 | 80 | 15 | 13.0 | 5.0 | 231 010 025 |
| 100/TK 10 | 105 | 15 | 13.0 | 5.0 | 231 010 026 |

Dimensions in mm.

* Standard for V-profile 10 x 6; specify any deviations!



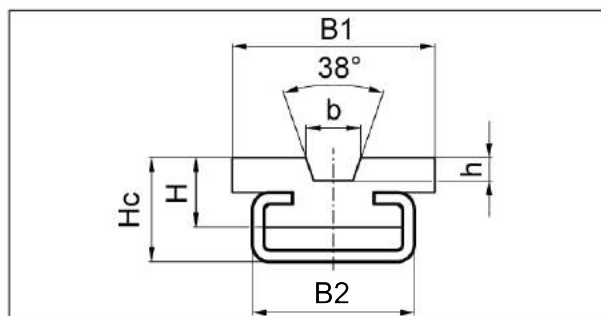
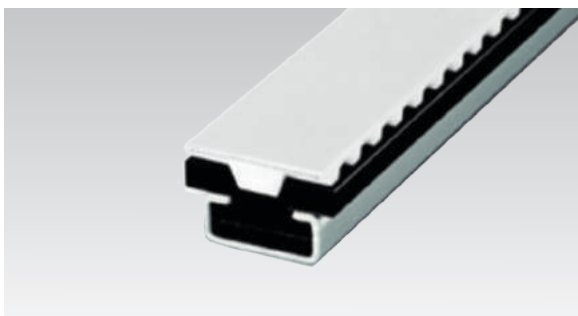
Type FKC



| Belt type | C profile type | B1 | B2 | H | Hc | b | h | Article no. |
|-----------|----------------|-----|----|----|----|------|-----|-------------|
| 25/TK 5 | | 28 | | 12 | 18 | 6.0 | 3.5 | 231 110 029 |
| | C5 | | 28 | | | | | 351 020 005 |
| 32/TK 5 | | 35 | | 12 | 18 | 6.0 | 3.5 | 231 110 030 |
| | C5 | | 28 | | | | | 351 020 005 |
| 32/TK10* | | 35 | | 12 | 18 | 9.5 | 4.0 | 231 110 031 |
| | C5 | | 28 | | | | | 351 020 005 |
| 50/TK10* | | 55 | | 15 | 18 | 9.5 | 4.0 | 231 110 032 |
| | C4 | | 50 | | | | | 351 020 004 |
| 75/TK10 | | 80 | | 15 | 18 | 13.0 | 5.0 | 231 110 033 |
| | C6 | | 80 | | | | | 351 020 006 |
| 100/TK10 | | 105 | | 15 | 18 | 13.0 | 5.0 | 231 110 034 |
| | C6 | | 80 | | | | | 351 020 006 |

Dimensions in mm.

* Standard for V-profile 10 x 6; specify any deviations!



Rail Guides

As insertion and clip profiles

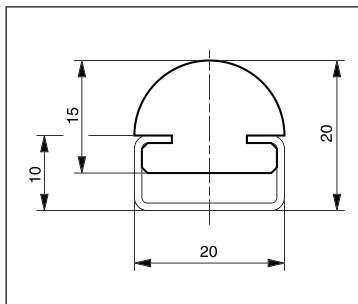
Here, we present a small selection of our wide range of profiles for exemplary purposes. For our full range, see www.murtfeldt.com.



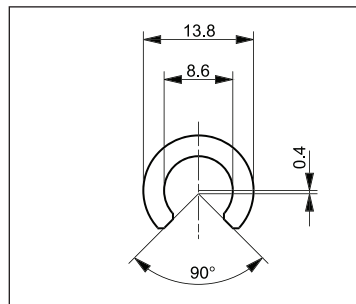
| Rail profile | Delivery for | Delivery length in m | Production method | Original Material "S" | Article no. |
|------------------|--------------|----------------------|-------------------|-----------------------|-------------|
| | profile | 2000 | milled | green | 211 210 001 |
| | C3 | 2000 | | | 351 020 003 |
| Mushroom profile | profile | 2000 | milled | black antistatic | 211 210 002 |
| HR 2020 | C3 | 2000 | | | 351 020 003 |
| | profile | 2000 | extruded | green | 211 210 003 |
| | C3 | 2000 | | | 351 020 003 |

* For milled profiles. Tolerances as per DIN 16941 for extruded profiles.

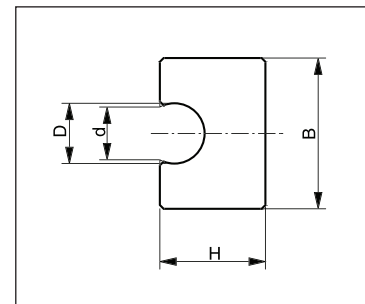
Mushroom profile HR 2020



Snap on 9.5



Square clip-on guides



Bands



Murtfeldt plastic bands are ideally suited for transporting sensitive goods. They are available in three standard sizes. Intermediate and special dimensions are available on request.

We are happy to advise you on the correct choice of band. Please contact us.



Design

Either in Original Material "S"[®]Green or Original Material "S"[®]Black Antistatic.
On request: Pre-treatment in the form of scraping and flaming on one side for later adhesion.

Special designs

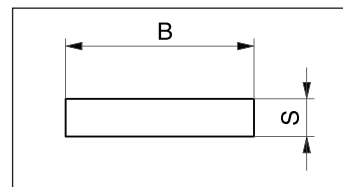
6, 8 and 10mm in widths of between 10 and 60mm.

Applications

Beverage, packaging, food, and frozen food sectors.

Special properties

- Extremely good wear resistance.
- High shock and impact resistance.



Bands made from Original Material "S"[®]

| Width (B) x thickness (S) | Article no. |
|---------------------------|-------------|
| 15 x 3 | 171 010 007 |
| 18 x 3 | 171 010 008 |
| 20 x 3 | 171 010 009 |
| 22 x 3 | 171 010 010 |
| 25 x 3 | 171 010 011 |
| 30 x 3 | 171 010 012 |
| 35 x 3 | 171 010 013 |
| 40 x 3 | 171 010 014 |
| 45 x 3 | 171 010 016 |
| 50 x 3 | 171 010 017 |
| 60 x 3 | 171 010 019 |
| 70 x 3 | 171 010 020 |
| 80 x 3 | 171 010 021 |
| 90 x 3 | 171 010 023 |
| 100 x 3 | 171 010 024 |
| 111 x 3 | 171 010 025 |

| Width (B) x thickness (S) | Article no. |
|---------------------------|-------------|
| 20 x 4 | 171 010 026 |
| 25 x 4 | 171 010 027 |
| 30 x 4 | 171 010 028 |
| 40 x 4 | 171 010 030 |
| 50 x 4 | 171 010 032 |

| Width (B) x thickness (S) | Article no. |
|---------------------------|-------------|
| 15 x 5 | 171 010 034 |
| 18 x 5 | 171 010 035 |
| 20 x 5 | 171 010 036 |
| 22 x 5 | 171 010 037 |
| 25 x 5 | 171 010 038 |
| 30 x 5 | 171 010 039 |
| 35 x 5 | 171 010 040 |
| 40 x 5 | 171 010 041 |
| 45 x 5 | 171 010 042 |
| 50 x 5 | 171 010 043 |
| 60 x 5 | 171 010 044 |

* Tolerances: Thickness +/- 0,1 width +/- 0,5 roll length on request.

Chain and belt monitors

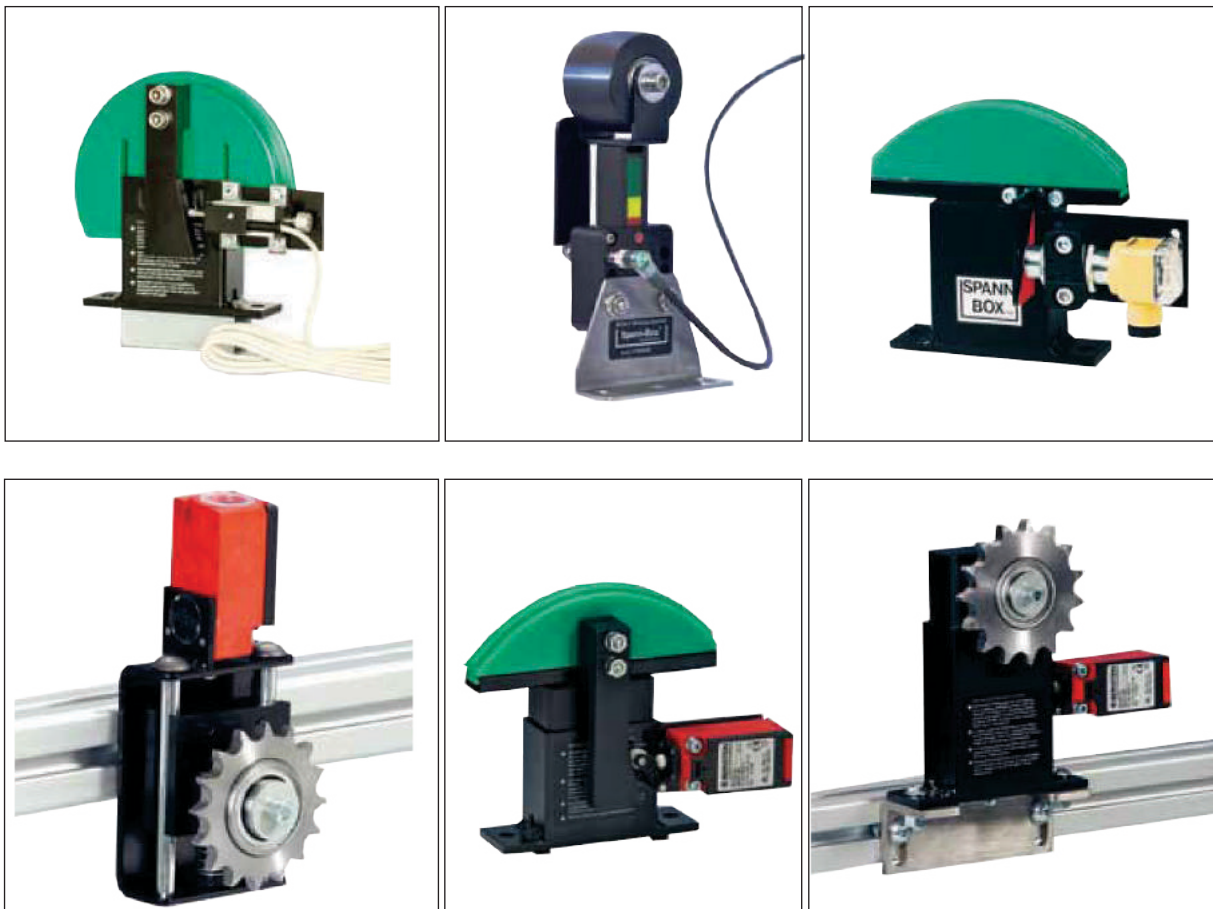
If a chain has excessive elongation or a break, critical damage can occur. Our chain and belt monitors track the production process and trigger the automatic shutdown of the machine if malfunctions occur. For this purpose, a mechanical limit switch or contact-free inductive switch is integrated into your chain or belt tensioner.

Both individual and reliable

Switch design requirements can vary greatly. Please contact us for more information. We will design the best solution for your requirements.

Inductive switches for Spann-Box[®]

Alternatively, a contact-free inductive switch can be used. This makes sense if there is a risk of explosion or contamination. Concerns about wear might also result in the use of an inductive switch. Inductive switches can be used for Spann-Box[®] size 1 and 2. Special models and designs in stainless steel are available on request.



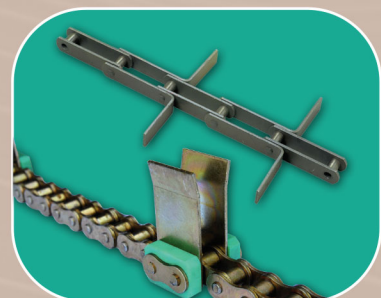
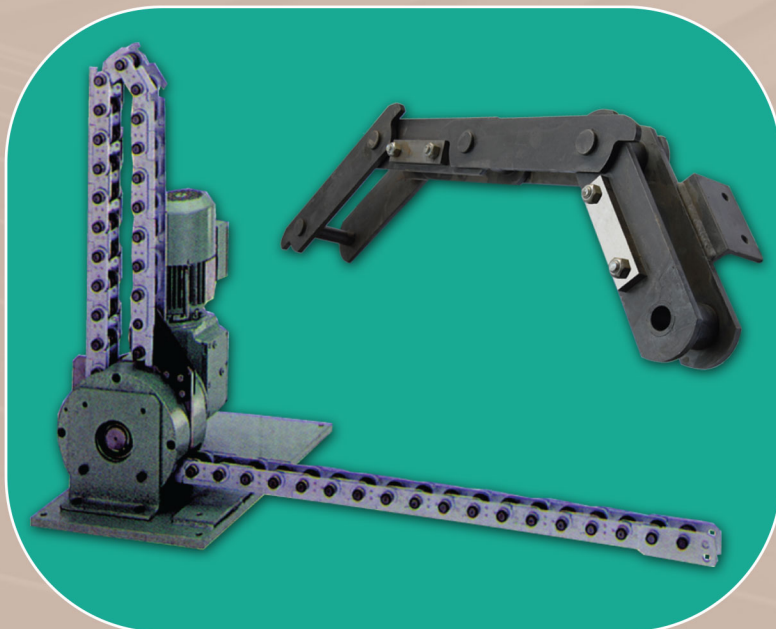
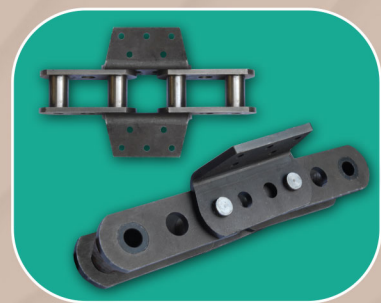
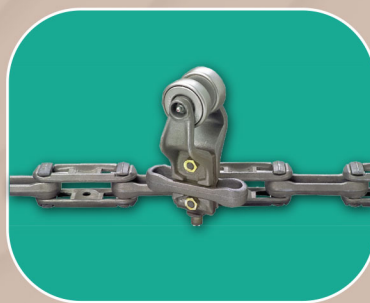


**View on products in our range.
Special customer-made.**

(Please consult us with drawings and samples)

This publication is protected by copyright and may not be reproduced in whole or in part without the prior, written permission of the manufacturer.

The technical specifications in this catalogue are subject to change without prior notice. We are not responsible for any printing errors or typing mistakes.



2020



BOGAERT TRANSMISSION

Industriepark
Neringstraat 5 - 7
1840 Londerzeel (Belgium)
Tel. +32 (0) 52-75 04 10
Fax +32 (0) 52-75 04 60
bt@bogaert-transmission.com



BELTING TECHNOLOGY

Division of Bogaert Transmission
Industriepark
Neringstraat 5 - 7
1840 Londerzeel (Belgium)
Tel. +32 (0) 52-75 04 35
Fax +32 (0) 52-75 04 85
db@bogaert-transmission.com



BMCS / LEGENDRE CHAINS

Division of Bogaert Transmission
Industriepark
Neringstraat 5 - 7
1840 Londerzeel (Belgium)
Tel. +32 (0) 52-75 04 30
Fax +32 (0) 52-75 04 80
bmcs@bogaert-transmission.com



GEHA INDUSTRIES

Division of Bogaert Transmission
Industriepark
Neringstraat 5 - 7
1840 Londerzeel (Belgium)
Tel. +32 (0) 52-75 04 20
Fax +32 (0) 52-75 04 70
geha@bogaert-transmission.com

